

ALFA



CIAO

LEGNA - WOOD

YELLOW
FXCM-LGIA-T

SILVER GREY
FXCM-LGRI-T



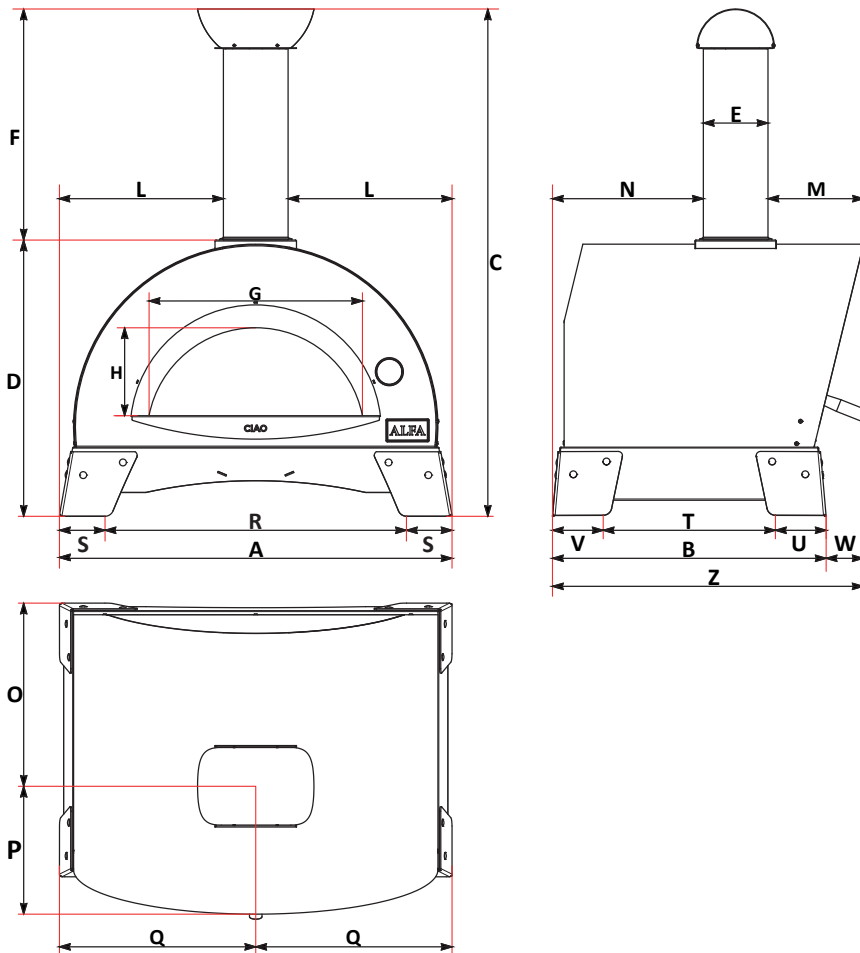
conforme a UNI 10474 e EN 13229
UNI 10474 and EN 13229 compliant



CARATTERISTICHE TECNICHE - TECHNICAL DETAILS

| | | | |
|---|--|---|--|
| Peso <i>Weight</i> | 80 kg 176 lbs | Materiali utilizzati <i>Used material</i> | lamiera ferro. acciaio inox. fibra ceramica <i>iron sheet. stainless steel. ceramic fiber</i> |
| Area piano forno <i>Oven floor area</i> | 0.28 m ² 3 ft ² | Tipo di refrattario <i>Type of refractory</i> | Tavella silico-alluminoso <i>Alumina silicate bricks</i> |
| Dim. piano forno <i>Oven floor dim.</i> | 70 x 40 cm 27.5 x 15.7 in | Combustibile consigliato <i>Recommended fuel</i> | Ciocchi diam. Max 5 cm. potature <i>Max 1.9 In diam. logs. trimmings</i> |
| Minuti per scaldare <i>Heating time (min)</i> | 15 | Carica nominale <i>Rated charge</i> | 6.9 kg/h 15.2 Lbs/h |
| N° pizze alla volta <i>Pizza capacity</i> | 2 | Tiraggio minimo <i>Minimum flue draught</i> | 10 Pa |
| Infornata di pane <i>Bread capacity</i> | 2 kg 4.4 lbs | Flusso volumetrico fumi <i>Flue smokes mass flow</i> | 57.7 g/s |
| Temperatura massima <i>Max oven temperature</i> | 500°C 1000°F | Emissioni CO al 13% O₂ <i>CO emission at 13% O₂</i> | 0.31% 3843 mg/Nm ³ |
| Consumo medio <i>Average fuel consumption</i> | 2.5 kg/h 5.5 lbs/h | Temperatura fumi <i>Smoke temperature</i> | 395°C 743°F |

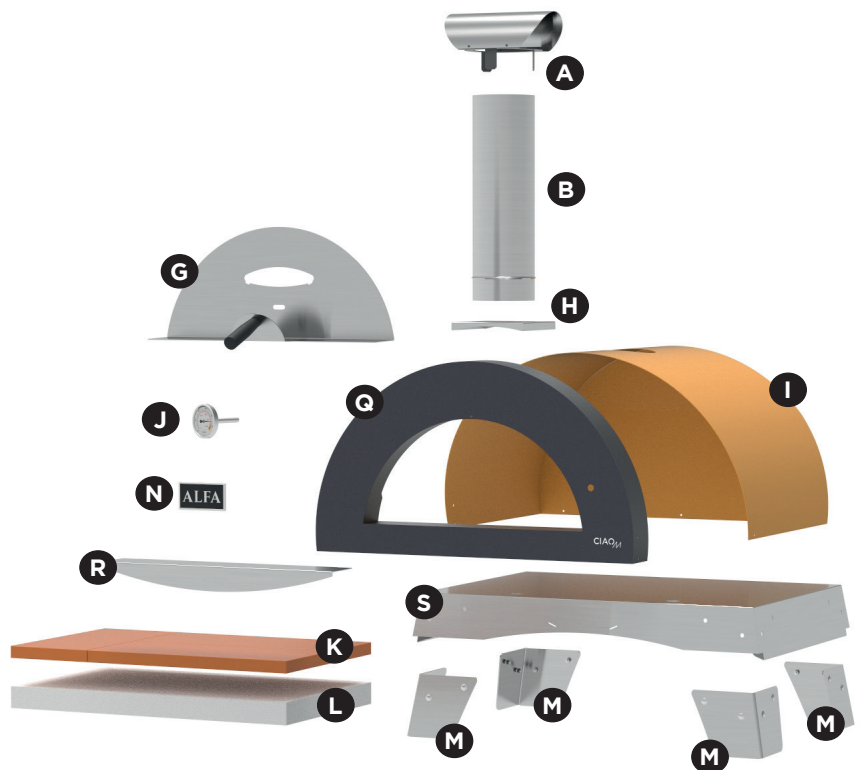
MISURE - DIMENSIONS



| | | | |
|-----|---------------------|---|--------------------|
| A | 91.1 cm 39.25 in | O | 42.5 cm 16.7 in |
| B | 63.5 cm 24.8 in | P | 29.7 cm 11.7 in |
| C | 117.7 cm 46.3 in | Q | 45.5 cm 17.9 in |
| D | 64.1 cm 25.2 in | R | 69.9 cm 27.5 in |
| Ø E | 15 cm 5.9 in | S | 10.6 cm 4.2 in |
| F | 53.6 cm 21.1 in | T | 40 cm 15.7 in |
| G | 49.5 cm 19.3 in | U | 11.8 cm 4.6 in |
| H | 20.4 cm 7.9 in | V | 11.8 cm 4.6 in |
| L | 38 cm 15 in | W | 8.58 cm 3.3 in |
| M | 22.2 cm 8.7 in | Z | 72.1 cm 28.1 in |
| N | 32.3 cm 12.7 in | | |

PARTI DI RICAMBIO - SPARE PARTS

| Descrizione Description | | Codice Code |
|---|---|-----------------|
| Comignolo Chimney cap | A | SPZP_01_024 |
| Canna fumaria Chimney | B | TI150_500_SAT |
| Sportello Door | G | SSML_01_0150 |
| Flangia Flange | H | SPZP_01_050 |
| Carter esterno External shell | I | SCRT-01-028-GIA |
| Carter esterno External shell | I | SCRT-01-028-GRI |
| Termometro Thermometer | J | YT63-135 |
| Mattoni 40x20 cm Red bricks 40x20 cm | K | RRA-4020 |
| Mattoni 50x20 cm Red bricks 50x20 cm | K | RRA-5020 |
| Gasbeton | L | D10GASB-D300 |
| Piedini Feet (n.4) | M | PZP-01-070/71 |
| Logo Alfa (v1.0) | N | D14PLAC-ALFA |
| Archetto Arch | Q | SSML-01-048-GR |
| Davanzale Sill | R | SSML-01-049 |
| Vasca camera | S | SCMB-01-028 |



ALFA



CIAO

LEGNA - WOOD

YELLOW
FXCM-LGIA

SILVER GREY
FXCM-LGRI



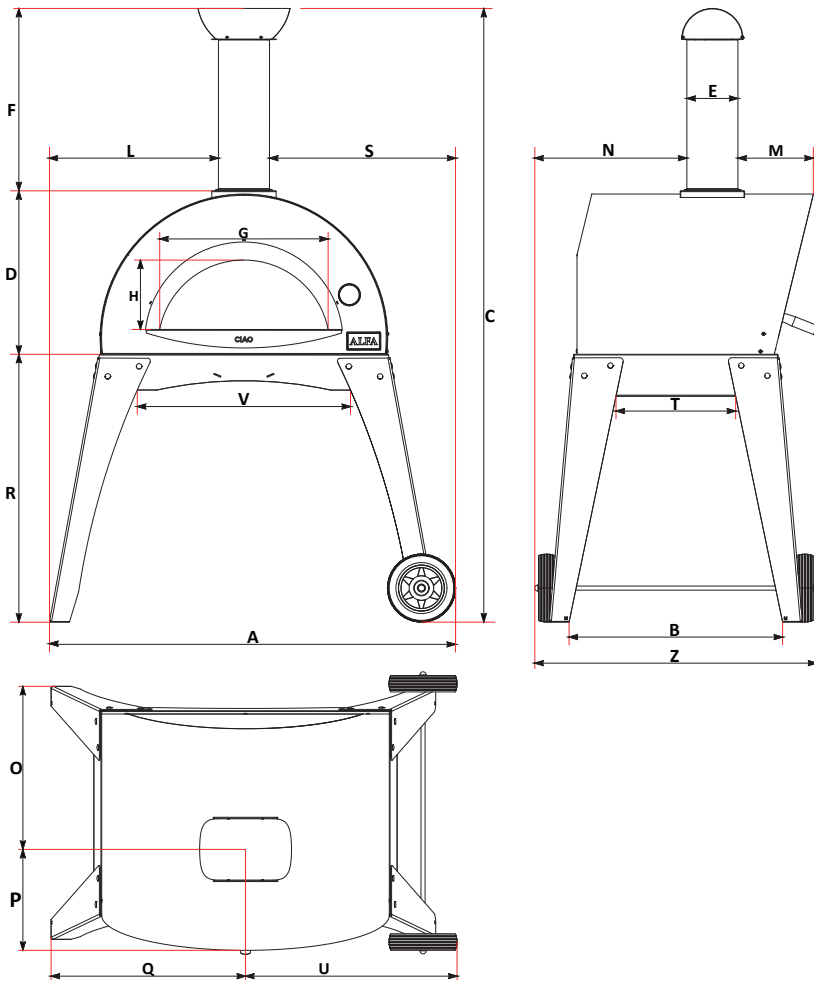
conforme a UNI 10474 e EN 13229
UNI 10474 and EN 13229 compliant



CARATTERISTICHE TECNICHE - TECHNICAL DETAILS

| | | | |
|---|--|---|--|
| Peso <i>Weight</i> | 95 kg 209 lbs | Materiali utilizzati <i>Used material</i> | lamiera ferro. acciaio inox. fibra ceramica <i>iron sheet. stainless steel. ceramic fiber</i> |
| Area piano forno <i>Oven floor area</i> | 0.28 m ² 3 ft ² | Tipo di refrattario <i>Type of refractory</i> | Tavella silico-alluminoso <i>Alumina silicate bricks</i> |
| Dim. piano forno <i>Oven floor dim.</i> | 70 x 40 cm 27.5 x 15.7 in | Combustibile consigliato <i>Recommended fuel</i> | Ciocchi diam. Max 5 cm. potature <i>Max 1.9 In diam. logs. trimmings</i> |
| Minuti per scaldare <i>Heating time (min)</i> | 15 | Carica nominale <i>Rated charge</i> | 6.9 kg/h 15.2 Lbs/h |
| N° pizze alla volta <i>Pizza capacity</i> | 2 | Tiraggio minimo <i>Minimum flue draught</i> | 10 Pa |
| Infornata di pane <i>Bread capacity</i> | 2 kg 4.4 lbs | Flusso volumetrico fumi <i>Flue smokes mass flow</i> | 57.7 g/s |
| Temperatura massima <i>Max oven temperature</i> | 500°C 1000°F | Emissioni CO al 13% O₂ <i>CO emission at 13% O₂</i> | 0.31% 3843 mg/Nm ³ |
| Consumo medio <i>Average fuel consumption</i> | 2.5 kg/h 5.5 lbs/h | Temperatura fumi <i>Smoke temperature</i> | 395°C 743°F |

MISURE - DIMENSIONS



| | | | |
|-----|--------------------|---|--------------------|
| A | 119 cm 46.9 in | N | 44.7 cm 17.6 in |
| B | 63 cm 24.8 in | O | 47.7 cm 18.8 in |
| C | 180 cm 70.9 in | P | 29.9 cm 11.8 in |
| D | 48 cm 18.9 in | Q | 57.1 cm 22.5 in |
| Ø E | 15 cm 5.9 in | R | 78.7 cm 31 in |
| F | 53.6 cm 21.1 in | S | 54.7 cm 21.5 in |
| G | 49.5 cm 19.3 in | T | 35.2 cm 11 in |
| H | 20.4 cm 7.9 in | U | 62.2 cm 24.5 in |
| L | 49.7 cm 19.6 in | V | 62.7 cm 24.7 in |
| M | 22.2 cm 8.7 in | Z | 83 cm 32.7 in |

PARTI DI RICAMBIO - SPARE PARTS

| Descrizione Description | | Codice Code |
|---|---|-----------------|
| Comignolo Chimney cap | A | SPZP_01_024 |
| Canna fumaria Chimney | B | TI150_500_SAT |
| Ruote Wheels | C | CEEA20000 |
| Asta collegamento ruote Wheel connection | D | D17TIR-815GR |
| Sportello Door | G | SSML_01_0150 |
| Flangia Flange | H | SPZP_01_050 |
| Carter esterno External shell | I | SCRT-01-028-GIA |
| Carter esterno External shell | I | SCRT-01-028-GRI |
| Termometro Thermometer | J | YT63-135 |
| Mattoni 40x20 cm Red bricks 40x20 cm | K | RRA-4020 |
| Mattoni 50x20 cm Red bricks 50x20 cm | K | RRA-5020 |
| Gasbeton | L | D10GASB-D300 |
| Logo Alfa (v1.0) | N | D14PLAC-ALFA |
| Archetto Arch | Q | SSML-01-048-GR |
| Davanzale Sill | R | SSML-01-049 |
| Vasca camera Steel tub | S | SCMB-01-028 |
| Gamba anteriore sinistro Left front leg | T | SPZP_01-052 |
| Piede posteriore sinistro Left rear leg | U | SPZP_01-051 |
| Piede anteriore destro Right front leg | V | SPZP_01-028 |
| Piede posteriore destro Right rear leg | Z | SPZP_01-045 |

