



SCHEDA TECNICA / TECHNICAL SPECIFICATION

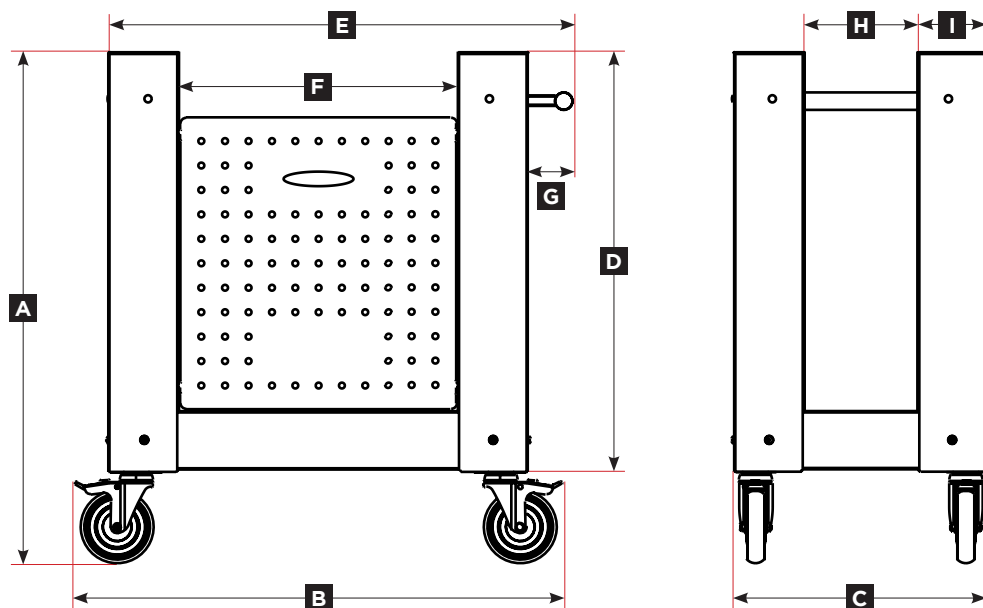
ALFA

BASE
ONE OVEN

-  **BF-ONE RAM**
-  **BF-ONE NER**

MISURE / DIMENSIONS

A	87.8 cm - 34.6 in	F	47.9 cm - 18.8 in
B	85.3 cm - 33.6 in	G	7.7 cm - 3 in
C	43.7 cm - 17.2 in	H	19.9 cm - 7.8 in
D	71.6 cm - 28.2 in	I	12.1 cm - 4.7 in
E	79.2 cm - 31.9 in		

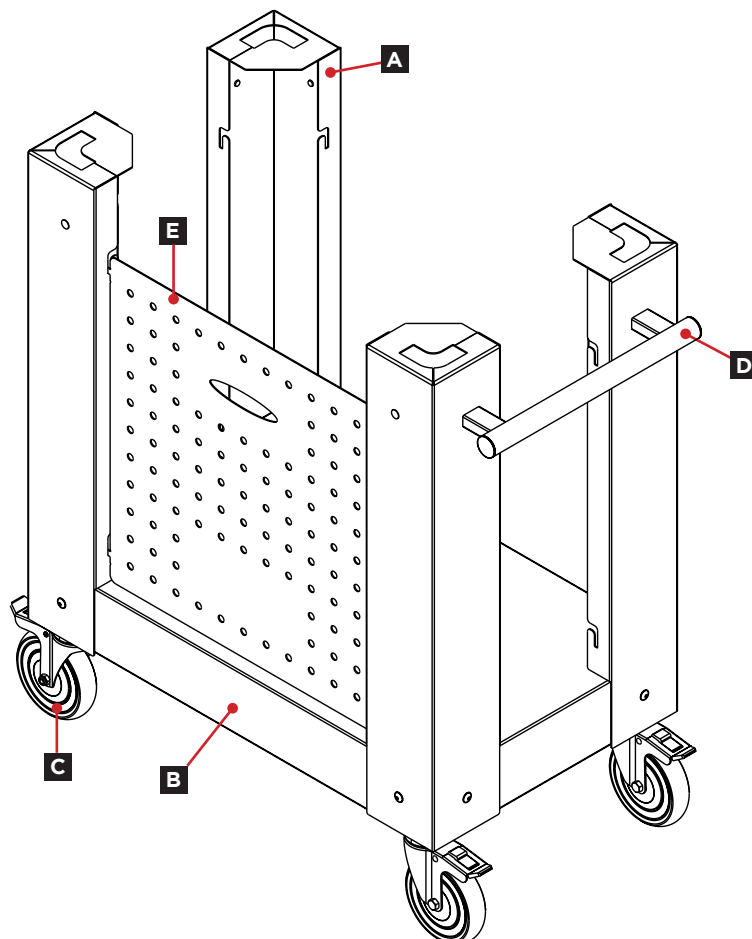


CARATTERISTICHE TECNICHE / TECHNICAL DETAILS

Peso <i>Weight</i>	25 kg 55 lbs	Materiali utilizzati <i>Used material</i>	lamiera ferro, acciaio inox iron sheet, stainless steel
------------------------------	-----------------	---	--

COMPONENTI / PARTS LIST

	CODE	N°	DESCRIPTION
A	BAS-2-12012	4	Leg - Gamba
B	BAS-2-1201111	1	Shelf - Ripiano
C	D14RU-125FRGN	4	Wheel - Ruota
D	D14MAN-37811	1	Handle - Maniglia
E	SML-3-12011	1	Panel - Pannello



WATCH THE VIDEO, SCAN THE QR CODE
alfaforni.com/alfa-base.php

