



# Installation and Operation Instructions

## Astria® Residential and Outdoor Wood-Burning Fireplace



P126764-01

P/N 126764-01 Rev. D 10/2015



Report No. F10-078

### Models

**Tuscan36P2**

**Tuscan36P3**

### SAVE THIS BOOK

This book is valuable. In addition to instructing you on how to install and maintain your appliance, it also contains information that will enable you to obtain replacement parts or accessory items when needed. Keep it with your other important papers.

**INSTALLER:** Leave this manual with the appliance.

**Installateur :** Laissez cette notice avec l'appareil.

**CONSUMER:** Retain this manual for future reference.

**Consommateur :** Conservez cette notice pour consultation ultérieure.

This wood burning fireplace complies with UL127 CAN/ULC-S610-M87 standard as a **FACTORY BUILT FIREPLACE.**

Ce foyer au bois est conforme aux UL 127 CAN/ULC-S610-M87 norme comme une **USINE CONSTRUITE CHEMINÉE.**

This fireplace is approved for use as a wood burning fireplace or for use with a vented gas log approved to ANSI Z21.60 or Z21.84 standards or for use with a vent-free gas log heater approved to ANSI Z21.11.2 standard. An IHP hood must be installed when using a vent-free log heater (see **Accessories**, page 19).

**FOR CANADA:** The authority having jurisdiction (such as the municipal building department, fire department, etc.) should be contacted before installation to determine the need to obtain a permit.

**POUR LE CANADA:** L'autorité compétente (comme le service municipal du bâtiment, les pompiers, etc.) doit être contacté avant l'installation afin de déterminer la nécessité d'obtenir un permis.

This appliance may be installed in an aftermarket permanently located, manufactured home (USA only) or mobile home, where not prohibited by local codes.

This installation manual will enable you to obtain a safe, efficient and dependable installation of your fireplace system. Please read and understand these instructions before beginning your installation.

Do not alter or modify the fireplace or its components under any circumstances. Any modification or alteration of the fireplace system, including but not limited to the fireplace, chimney components and accessories, may void the warranty, listings and approvals of this system and could result in an unsafe and potentially dangerous installation.

**IMPORTANT! TO ASSURE PROPER ALIGNMENT OF GLASS DOORS: INSTALL THIS FIREPLACE IN A SQUARE AND PLUMB CONDITION, USING SHIMS AS NECESSARY AT SIDES AND/OR BOTTOM.**

## Thank you for your purchase. We appreciate your business!

Please carefully read and follow all instructions in this manual. **Pay special attention to all warnings and safety information.**

Following these safety, care, and operation instructions will help ensure many years of dependable and enjoyable service from your fireplace.

### Register your product online today!

To help us keep you up-to-date on product information and offers, please take a few moments to register your product online at [Astria.US.com](http://Astria.US.com)

**Please read and understand these instructions before installing or operating.**

## TABLE OF CONTENTS

|  |    |
|--|----|
| Safety.....                                | 2  |
| Specifications.....                        | 4  |
| Fireplace Installation .....               | 5  |
| Venting Installation .....                 | 7  |
| Optional Gas Line Installation .....       | 12 |
| Operation and Maintenance Guidelines ..... | 13 |
| Technical Service .....                    | 14 |
| Replacement Parts.....                     | 14 |
| Parts .....                                | 15 |
| Accessories.....                           | 18 |
| Warranty .....                             | 23 |



We recommend that our woodburning hearth products be installed and serviced by professionals who are certified in the U.S. by the National Fireplace Institute® (NFI) as NFI Woodburning Specialists or who are certified in Canada by Wood Energy Technical Training (WETT). 

## SAFETY

**⚠ WARNING: Improper installation, adjustment, alteration, service or maintenance can cause injury, property damage or loss of life. Refer to this manual for assistance or additional information. Consult a qualified installer or local distributor.**

**IMPORTANT: Check local codes before installing this fireplace.**

Before beginning installation of this fireplace, read these instructions through completely.

- This INNOVATIVE HEARTH PRODUCTS (IHP) fireplace and its components are safe when installed according to this installation manual. Unless you use IHP components, which have been designed and tested for the fireplace system, you may cause a fire hazard.
- The IHP warranty will be voided by and IHP disclaims any responsibility for the following actions.
  - a. Modification of the fireplace, components, doors, air inlet system and damper control.
  - b. Use of any component part not manufactured or approved by IHP in combination with an IHP fireplace system.

Proper installation is the most important step in ensuring safe and continuous operation of fireplace. Consult the local building codes as to the particular requirements concerned with the installation of all factory built fireplaces.

**⚠ WARNING: Do not install a fireplace insert in this box unless the manufacturer's instructions with the insert specifically state this fireplace has been tested for use with this insert.**

### FOR YOUR SAFETY

- Do not store or use gasoline or any other flammable vapors or liquids in the vicinity of this or any other appliance.
- Due to high temperatures, the appliance should be located out of traffic and away from furniture and draperies.
- Do not place clothing or other flammable materials on or near the appliance.
- Never leave children unattended when a fire is burning in the fireplace.

**⚠ WARNING: Use solid wood or processed solid fuel firelogs only. When processed wood fuel fire logs are used, do not poke or stir the logs while they are burning. Use only fire logs that have been evaluated for the application in fireplace and refer to fire log warnings and caution markings on packaging prior to use.**

**This fireplace is not intended to be used as a substitute for a furnace to heat an entire home. Use for supplemental heat only.**

**Overfiring of a fireplace is a condition where excessive temperatures are reached, beyond the design capabilities of the appliance. The damage that occurs from overfiring is not covered under the manufacturer's limited warranty.**

## **SAFETY *Continued***

**⚠ WARNING: CONTINUED OVERFIRING CAN PERMANENTLY DAMAGE YOUR FIREPLACE SYSTEM. SOME EXAMPLES OF CONDITIONS THAT COULD CAUSE OVERFIRING ARE:**

- BURNING QUANTITIES OF SCRAP LUMBER, PINE BRANCHES, PAPER OR CARDBOARD BOXES WHICH EXCEED THE VOLUME OF THE NORMAL LOG FIRE.
- BURNING TRASH, CHEMICALS OR CHEMICALLY TREATED COMBUSTIBLES.

### **Disposal of Ashes**

Ashes should be placed in a metal container with a tight-fitting lid. The closed container of ashes should be placed on a noncombustible floor or on the ground, well away from all combustible materials, pending final disposal. If the ashes are disposed of by burial in soil or otherwise locally dispersed, they should be retained in the closed container until all cinders have thoroughly cooled.

**WHEN USING THE DECORATIVE APPLIANCE, THE FIREPLACE DAMPER MUST BE SET IN THE FULLY OPEN POSITION.**

Never use gasoline, gasoline-type lantern fuel, kerosene, charcoal lighter fluid, or similar liquids to start or 'freshen up' a fire in this fireplace. Keep all such liquids well away from the fireplace while it is in use.

Use **SOLID WOOD** only for fuel. It is best to use dry and well seasoned hardwood. Softwoods tend to burn very quickly. **DO NOT** use treated wood, charcoal, coal, trash, driftwood or woods that have been dipped in tar, pitch, pine tar, creosote, etc. Wood products made with synthetic binders, such as plywood, produce abnormally high temperatures and sputtering, smoking fires. When burning artificial logs, please read and follow the instructions provided by the manufacturer.

Never burn treated construction lumber or scraps. These woods burn excessively hot and may contain chemicals used to treat insects and fungus. When burned, these chemicals can pose a significant hazard.

**⚠ WARNING: BURNING IMPROPER FUEL (I.E. CHARCOAL) CAN RESULT IN CARBON MONOXIDE POISONING, WHICH MAY LEAD TO DEATH!**

**Carbon Monoxide Poisoning** – Early signs of carbon monoxide poisoning resemble the flu with headaches, dizziness, or nausea. If you have these signs, get fresh air at once! Have the appliance inspected by a qualified service technician. Some people are more affected by carbon monoxide than others. These include pregnant women, people with heart or lung disease or anemia, those under the influence of alcohol, and those at high altitudes.

**Ventilation Requirements** - Provide adequate air for combustion. The fresh air requirements of this appliance must be met within the space where it will be installed.

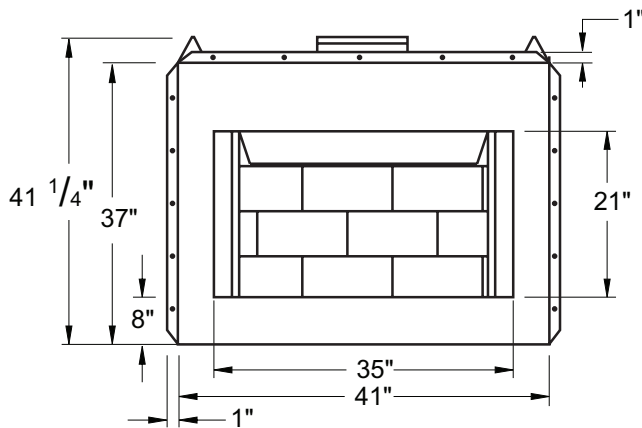
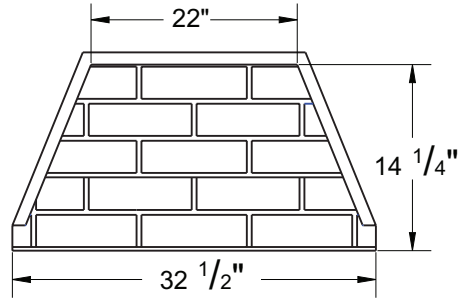
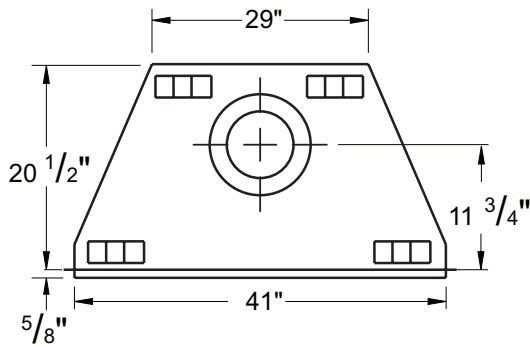
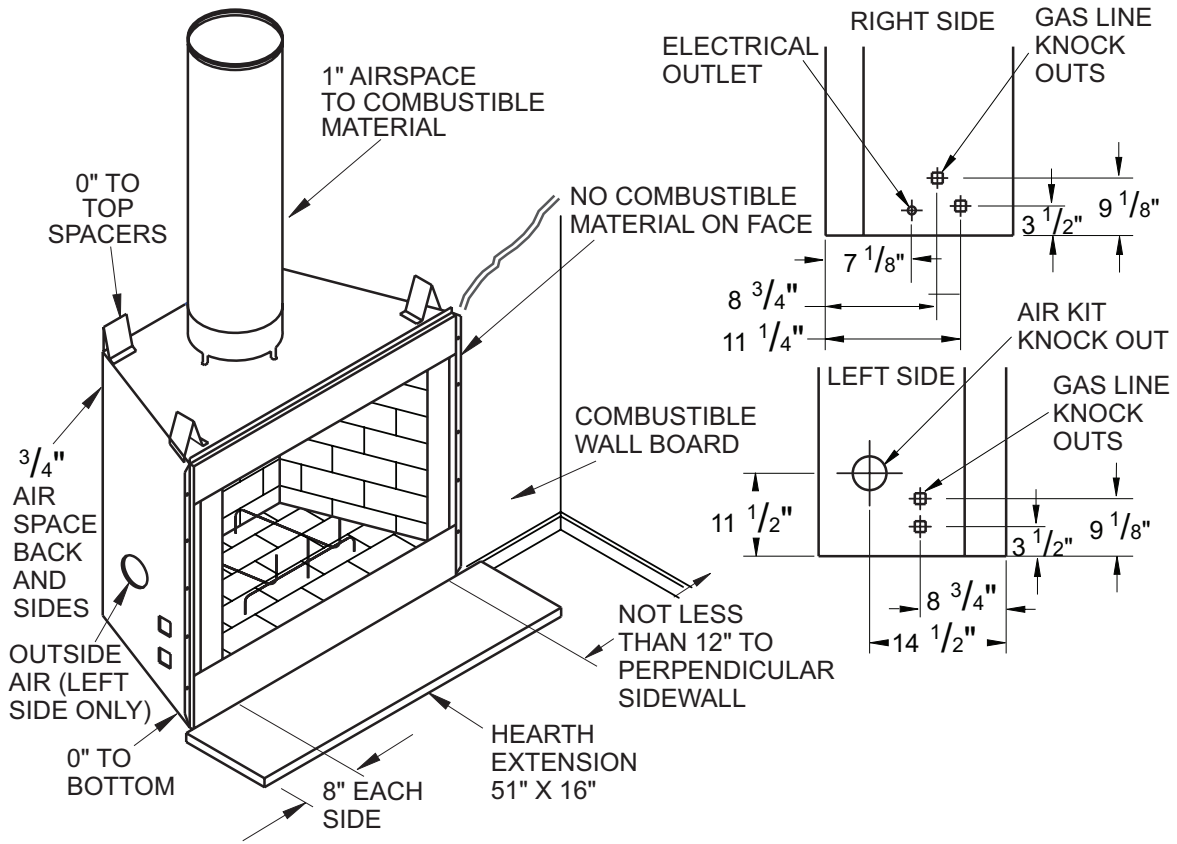
**Smoke Detectors** - Since there are always several potential sources of fire in any home, we recommend installing smoke detectors. If possible, install the smoke detector in a hallway adjacent to the room (to reduce the possibility of occasional false activation from the heat produced by the appliance). If your local code requires a smoke detector be installed within the same room, you must follow the requirements of your local code. Check with your local building department for requirements in your area.

### **Creosote – Formation and Need for Removal**

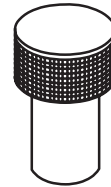
When wood is burned slowly, it produces tar and other organic vapors, which combine with expelled moisture to form creosote. The creosote vapors condense in the relatively cool chimney flue of a slow-burning fire. As a result, creosote residue accumulates on the flue lining. When ignited this creosote makes an extremely hot fire.

The chimney shall be inspected at least twice a year during the heating season to determine when a creosote buildup has occurred. When creosote has accumulated (1/8" [3 mm] or more) it shall be removed to reduce the risk of a chimney fire.

# SPECIFICATIONS



ROUND TOP TERMINATION



SQUARE CHASE-TOP TERMINATION



**CAUTION: THE STRUCTURAL INTEGRITY OF THE MANUFACTURED HOME FLOOR, WALL, AND CEILING/  
ROOF MUST BE MAINTAINED.**

# FIREPLACE INSTALLATION

## SELECTING LOCATION

**⚠ WARNING: DO NOT INSTALL IN SLEEPING ROOM OF MOBILE HOMES.**

To determine the safest and most efficient location for the fireplace, you must take into consideration the following guidelines:

1. The location must allow for proper clearances (see Figures 1 and 2).
2. Consider a location where the fireplace will not be affected by drafts, air conditioning ducts, windows or doors.
3. A location that avoids the cutting of joists or roof rafters will make installation easier.
4. An outside air kit is available with this fireplace (see [Optional Outside Air Kit](#) on page 7).

## MINIMUM CLEARANCE TO COMBUSTIBLES

|                               |                                       |
|-------------------------------|---------------------------------------|
| Ceiling                       | 40" minimum                           |
| Back and sides of fireplace   | 3/4" minimum*                         |
| Floor**                       | 0" minimum                            |
| Perpendicular wall to opening | 12" minimum                           |
| Top spacers                   | 0" minimum                            |
| Mantel clearances             | see <a href="#">Mantels</a> , page 6. |
| Chimney outer pipe surface    | 1" minimum                            |

\* Not required at nailing flanges

\*\* See step 2 of [Framing](#)

**⚠ WARNING: Do not pack required air spaces with insulation or other materials.**

## Minimum/Maximum Chimney Height for Residential Installation

The minimum height of the chimney, measured from the base of the fireplace to the flue gas outlet of the termination, is 14.5 feet for straight flue or a flue with one elbow set. The maximum distance between elbows is 6 feet. For systems with two elbow sets, the minimum height is 22 feet. The maximum height of any system is 50 feet. This measurement includes the fireplace, chimney sections and the height of the termination assembly at the level of the flue gas outlet (see Figure 18, page 11).

## Minimum/Maximum Chimney Height for Outdoor Installation

The minimum height of the chimney, measured from the base of the fireplace to the flue gas outlet of the termination, is 7 1/2 feet (minimum of 4 feet of chimney pipe sections required for outdoor installation).

## FRAMING

1. Frame opening for fireplace using the dimensions shown in Figures 1 and 2.
2. If fireplace is to be installed directly on carpeting, tile or any combustible material other than wood flooring, the fireplace must be installed upon a metal or wood panel extending the full width and depth of fireplace.
3. Set fireplace directly in front of this opening and slide unit back until nailing flanges touch side framing.

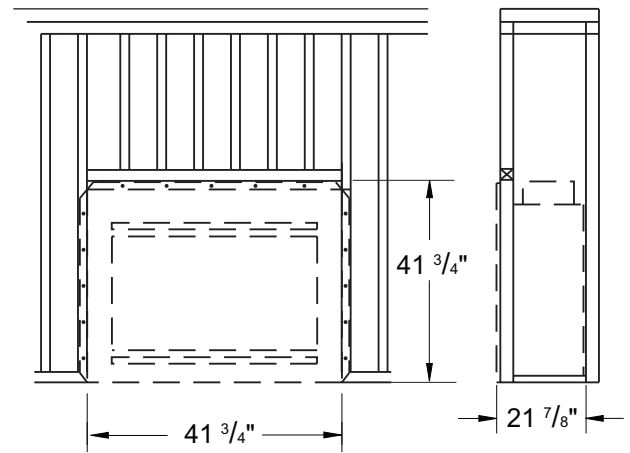


Figure 1 - Framing Dimensions

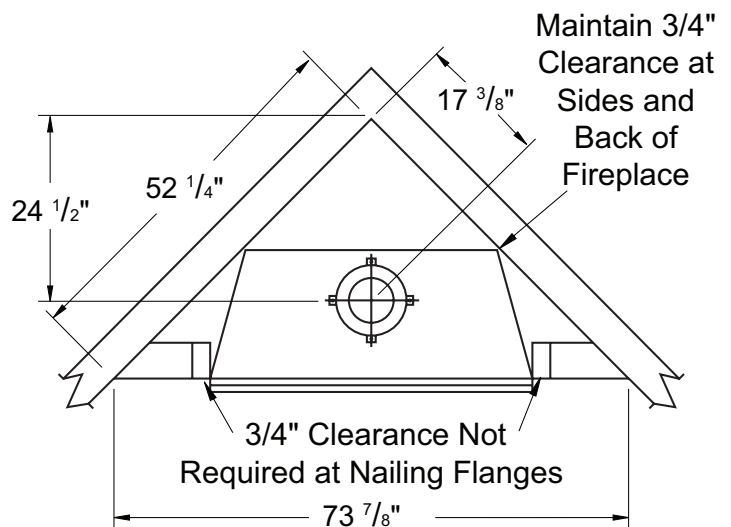


Figure 2 - Corner Installation

4. Check the level of the fireplace and shim with sheet metal if necessary.
5. Before securing fireplace to prepared framing, the ember protector (provided) must be placed between the hearth extension (not supplied) and under bottom front edge of fireplace to protect against glowing embers falling through. If fireplace is to be installed on a raised platform, a Z-type ember protector (not supplied) must be fabricated to fit your required platform height. The ember protector should extend under fireplace a minimum of 1 1/2". The ember protector should be made of galvanized sheet metal (28 gauge minimum) to prevent corrosion.
6. Using screws or nails, secure fireplace to framing through flanges located on sides of fireplace.

## DRAIN PAN (DP36)

For outdoor installations, the fireplace enclosure must allow for adequate drainage and fresh air ventilation. It is recommended that a sealed, corrosion resistant catch pan with provision for drainage be installed under the fireplace within the fireplace enclosure (see [Accessories](#) on page 19).

## FIREPLACE INSTALLATION *Continued*

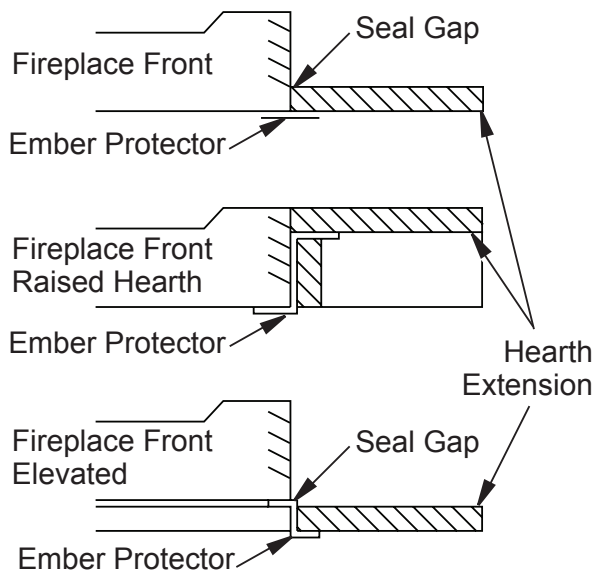
### HEARTH EXTENSION

A hearth extension projecting a minimum of 16" in front of and a minimum of 8" beyond each side of the fireplace opening is required to protect combustible floor construction in front of the fireplace. Fabricate a hearth extension using a material which meets the following specifications: a layer of noncombustible, inorganic material having a thermal conductivity of  $k=0.84$  BTU IN/FT, HR. F (or less) at 1" thick. For example, if the material selected has a K factor of 0.25, such as glass fiber, the following formula would apply:

$$\frac{0.25}{0.84} \times 1.0 = 0.30 \text{ " thickness required}$$

Thermal conductivity "k" of materials can be obtained from the manufacturer or supplier of the noncombustible material. If the hearth extension is to be covered, use noncombustible material such as tile, slate, brick, concrete, metal, glass, marble, stone, etc. Provide a means to prevent the hearth extension from shifting and seal gap between the fireplace frame and hearth extension with a noncombustible material (see Figure 3).

**⚠ WARNING: Hearth extension is to be installed only as shown in Figure 3.**



**Figure 3 - Hearth Extension**

### MANTELS

A mantel may be installed if desired (see Figure 4). Woodwork such as wood trims, mantels or any other combustible material projecting from the front face must not be placed within 12" of the fireplace opening. Combustible materials above 12" and projecting more than 1 1/2" from the fireplace must not be placed less than 15" from the top opening of the fireplace (NFPA 211, Section - Clearance from Combustible Material).

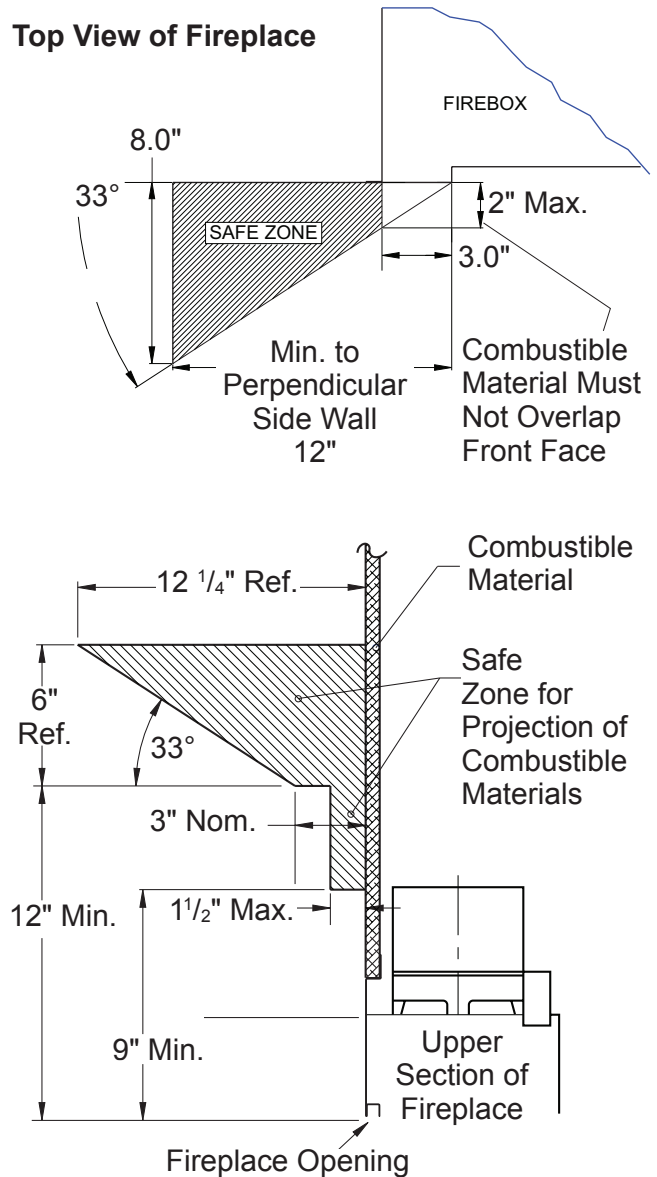
Mantels or any other combustible material also may come up to the side edge of the black metal face of the fireplace just as long as the projection from the front face fall within the limit shown in Figure 4.

### OPTIONAL OUTSIDE AIR KIT (MODEL AK4/AK4F)

The installation of an outside air kit should be performed during the rough framing of the fireplace due to the nature of its location. Outside combustion air is accessed through a vented crawl space (AK4F) or through a sidewall (AK4). See Figure 22 on page 13 for instruction of operating air kit.

**⚠ CAUTION: Combustion air inlet ducts shall not terminate in attic space.**

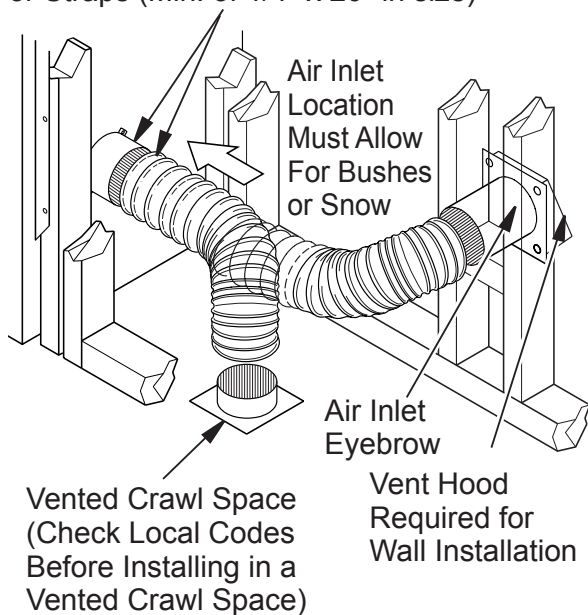
**The maximum height for the air vent can not exceed 3 feet below the flue gas outlet of the termination.**



**Figure 4 - Mantel Clearances to Combustible Material**

## VENTING INSTALLATION

Secure to Collars with Metal Tape, Screws or Straps (Min. of 1/4" x 20" in size)



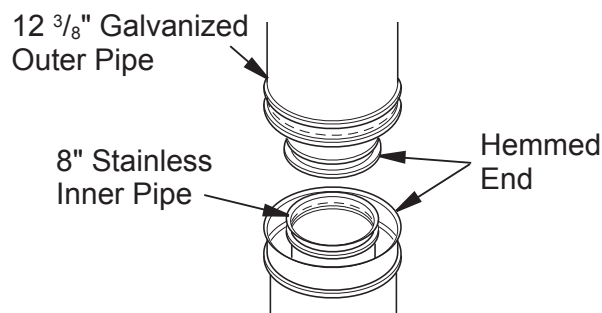
**Figure 5 - Outside Air Kit**

### ASSEMBLY AND INSTALLATION OF DOUBLE WALL CHIMNEY SYSTEM

Each double wall chimney section consists of a galvanized outer pipe, a stainless steel inner flue pipe and a wire spacer. The pipe sections must be assembled independently as the chimney is installed.

When connecting chimney directly to the fireplace, the inner flue pipe section must be installed first with the lanced side up. The outer pipe section can then be installed over the flue pipe section with the hemmed end up. Press down on each pipe section until the lances securely engage the hem on the fireplace starter. The wire will assure the proper spacing between the inner and outer pipe sections. Continue to assemble chimney sections as outlined, making sure

**⚠ WARNING: The opening in collar around chimney at top of fireplace must not be obstructed. Never use blown insulation to fill chimney enclosure.**



**Figure 6 - Lineal Gain**

### CHIMNEY PIPE

**⚠ WARNING: Label part number 900599-01 must be applied by the installer to all chimney pipe sections but is not required on sections that will be visible after the installation is complete. Label must wrap around the circumference of the pipe. See accessories, page 19 for Kit F2659.**

The IHP chimney system consists of 12", 18", 24", 36" and 48" snap-lock, double-wall pipe segments, planned for maximum adaptability to individual site requirements. Actual lengths gained after fitting overlaps must be taken into consideration (lineal gain) and are given in the lineal gain chart (see Figure 6). Lineal gain is the actual measurable length of a part after two or more parts are connected. For Canada, use chimney parts designated "HT".

| LINEAL GAIN      |   |                       |
|------------------|---|-----------------------|
| PART NO.         | DESCRIPTION                               | GAIN                  |
| 36"              | Fireplace                                 | 40"                   |
| 12-8DM<br>12-8HT | Pipe Section                              | 10 5/8"               |
| 18-8DM<br>18-8HT | Pipe Section                              | 16 5/8"               |
| 24-8DM<br>24-8HT | Pipe Section                              | 23 5/8"               |
| 36-8DM<br>36-8HT | Pipe Section                              | 34 5/8"               |
| 48-8DM<br>48-8HT | Pipe Section                              | 46 5/8"               |
| RT-8DM           | Round Termination                         | 6 7/8"*               |
| RTL-8DM          | Round Termination                         | 7 3/4"*               |
| RTT-8DM          | Round Termination with Slip Section       | 6 7/8" to<br>23 1/8"* |
| RTTL-8DM         | Round Termination with Slip Section       | 8 1/2" to<br>21 1/2"* |
| ET-8DM           | Square Chase-Top                          | 12"*                  |
| ETO-8DM          | Square Chase-Top with Mesh                | 12"*                  |
| ETL-8DM          | Square Chase-Top with Slip Section        | 7" to<br>15"*         |
| ETLO-8DM         | Square Chase-Top with Mesh & Slip Section | 12" to<br>25 1/2"*    |

\* The lineal gain for the terminations is measured to the flue gas outlet height.

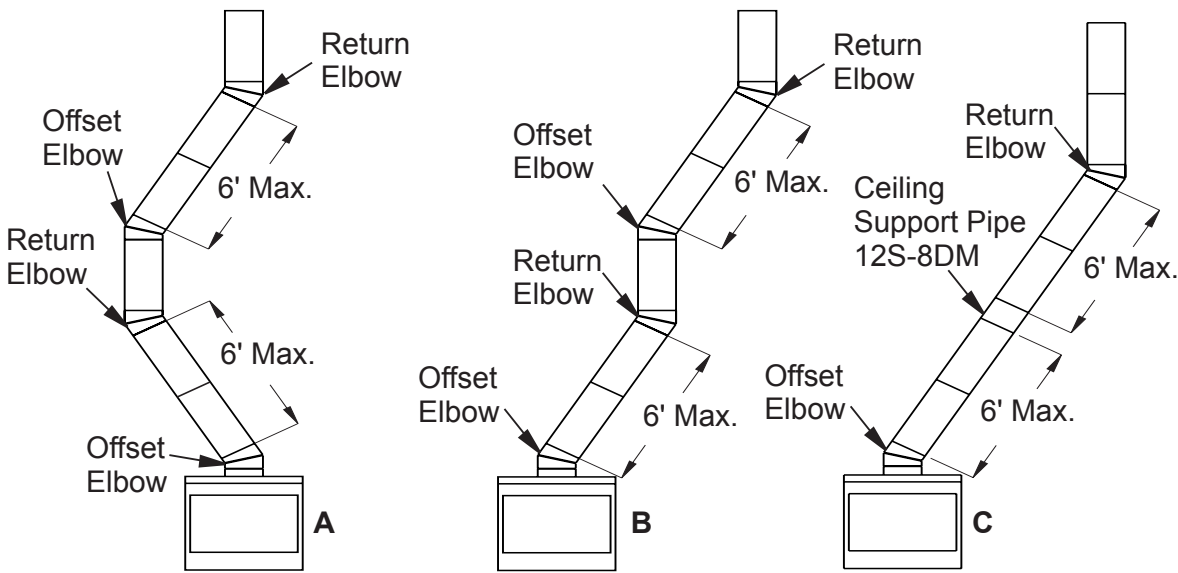
## VENTING INSTALLATION *Continued*

that both the inner and outer pipe sections are locked together. When installing double wall snap-lock chimney together, it is important to assure the joint between the chimney sections is locked. Check by pulling chimney upward after locking. The chimney will not come apart if properly locked. It is not necessary to add screws to keep the chimney together (exception - see Figure 9, page 9).

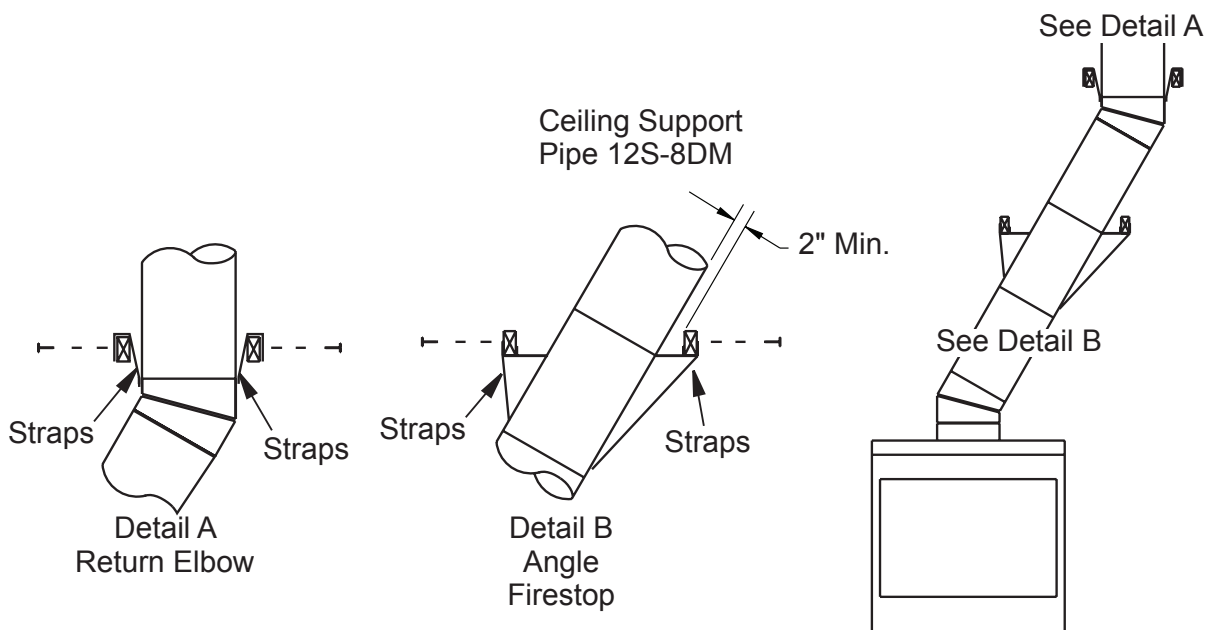
The height of a vertical chimney pipe supported **ONLY** by the fireplace, must not exceed 20 feet. Chimney heights above 20 feet must be supported.

### USING ELBOW OFFSETS (30E-8DM)

1. To achieve desired offset, you may install combinations of 12", 18", 24", 36" and 48" length of double wall pipe (see offset chart and Figure 7).
2. Chimney weight above offset rests on return elbow. Straps must be securely nailed to rafters or joists (see Figure 8, details A and B).
3. Maximum length of pipe between supports (return elbow or 12S-8DM) is 6' of angle run. Maximum of two 6' angle run sections per chimney system (see Figure 7).
4. All pipe connections between offset and return must be secured with two screws on outer pipe only (see Figure 9, page 9). Do not penetrate inner stainless.



**Figure 7 - Typical Offset Terminations**



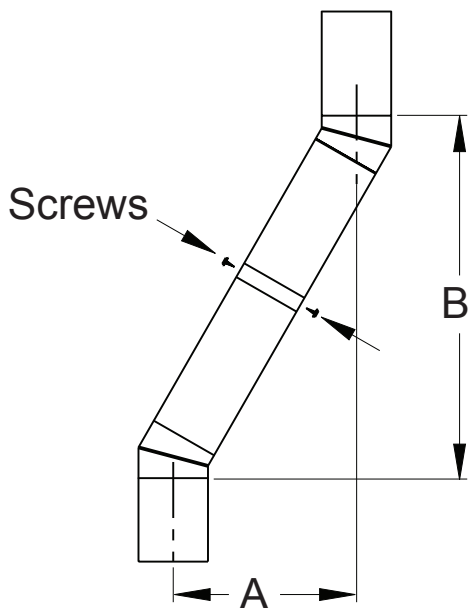
**Figure 8 - Ceiling Support Pipe 12S-8DM**



## VENTING INSTALLATION *Continued*

| OFFSET<br>A | RISE<br>B | CHIMNEY LENGTH        |     |     |     |     |
|-------------|-----------|-----------------------|-----|-----|-----|-----|
|             |           | 48"                   | 36" | 24" | 18" | 12" |
| 4 3/8"      | 16 3/8"   | <b>ELBOW SET ONLY</b> |     |     |     |     |
| 9"          | 25 3/4"   |                       |     |     |     | 1   |
| 11 7/8"     | 31"       |                       |     |     | 1   |     |
| 15"         | 37 3/8"   |                       |     | 1   |     |     |
| 16 3/4"     | 40 1/2"   |                       |     |     | 1   | 1   |
| 20"         | 47 1/8"   |                       | 1   |     |     |     |
| 22 5/8"     | 52 1/8"   |                       |     | 1   | 1   |     |
| 25 1/2"     | 57 7/8"   | 1                     |     |     |     |     |
| 27 5/8"     | 62"       |                       | 1   |     | 1   |     |
| 30 3/8"     | 67 1/4"   | 1                     |     |     |     | 1   |
| 33"         | 72 5/8"   | 1                     |     |     | 1   |     |
| 35 3/4"     | 78"       |                       | 2   |     |     |     |
| 37 7/8"     | 82"       | 1                     |     |     | 1   | 1   |
| 41 1/4"     | 88 5/8"   | 1                     | 1   |     |     |     |
| 43 3/8"     | 92 3/4"   |                       | 2   |     | 1   |     |
| 46 5/8"     | 99 3/8"   | 2                     |     |     |     |     |
| 48 3/4"     | 103 1/2"  | 1                     | 1   |     | 1   |     |
| 51 1/2"     | 108 7/8"  | 2                     |     |     |     | 1   |
| 54 1/4"     | 114 1/8"  | 2                     |     |     | 1   |     |
| 57"         | 119 1/2"  | 1                     | 2   |     |     |     |
| 59"         | 123 5/8"  | 2                     |     |     | 1   | 1   |
| 61 3/4"     | 129"      | 1                     | 2   |     |     | 1   |
| 64 1/2"     | 134 3/8"  | 1                     | 2   |     | 1   |     |
| 67 1/4"     | 139 5/8"  |                       | 4   |     |     |     |

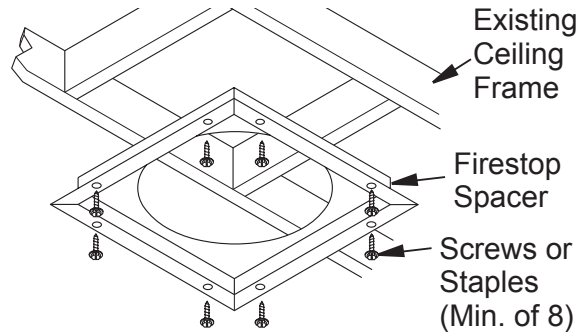
**OFFSET CHART (22-50 FT. SYSTEM HEIGHT)**



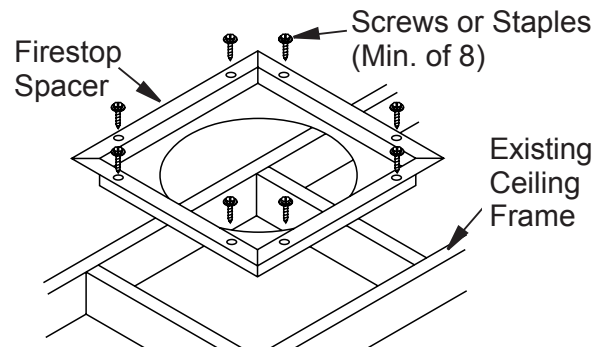
**Figure 9 - Elbow Offset**

### **FIRESTOP SPACERS (3600FS-8DM-1)**

Firestop spacers are required at each point where the chimney penetrates a floor space. Their purpose is to establish and maintain the required clearance between the chimney and the combustible materials. When the pipe passes through a framed opening into a living space above, the firestop must be placed onto the ceiling from below as shown in Figure 10. They also provide complete separation from one floor space to another or attic space as required by most codes. When the double wall pipe passes through a framed opening into an attic space, the firestop must be placed into an attic floor as shown in Figure 11.



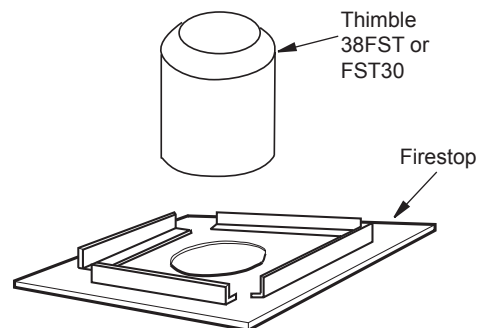
**Figure 10 - Firestop Spacer with Living Space Above Ceiling**



**Figure 11 - Firestop Spacer with Attic Space Above Ceiling**

### **IMPORTANT NOTICE**

When penetrating a ceiling into an attic, a firestop thimble (38FST or FST30) is required to avoid intrusion by insulation and recommended to negotiate a joist (see Figure 11a).



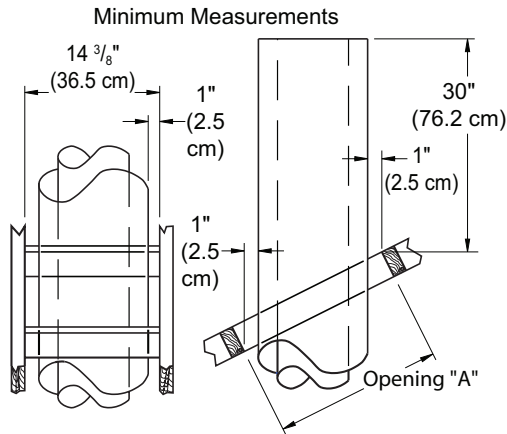
**Figure 11a - Firestop Thimble**

## VENTING INSTALLATION *Continued*

### PENETRATING ROOF

To maintain a 1" clearance to the pipe on a roof with a pitch, a rectangular opening must be cut.

1. Determine center point through which pipe will penetrate roof.
2. Determine center point of roof. Pitch is the distance the roof drops over a given span, usually 12". A 6/12 pitch means that the roof drops 6" for each 12" one measure horizontally down from the roof rafters.
3. Use roof opening chart (Figure 12) to determine the correct opening length and flashing required.
4. Remove the shingles around opening measured. Cut out this section.
5. Add next sections of pipe until end penetrates roof line. Check to see that the proper clearances are maintained. Extend chimney by adding sections of double wall pipe until pipe is minimum of 30" above the highest point of the roof cutout. Termination and chimney must extend a minimum of 36" above the highest point where it passes through the roof.



| Pitch      | Slope | Opening "A" Max. | Used Flashing Model No. |
|------------|-------|------------------|-------------------------|
| Flat       | 0°    | 15"              | V6F-8DM                 |
| 0-6/12     | 26.6° | 16 1/8"          | V6F-8DM                 |
| 6/12-12/12 | 45.0° | 20 3/8"          | V12F-8DM                |

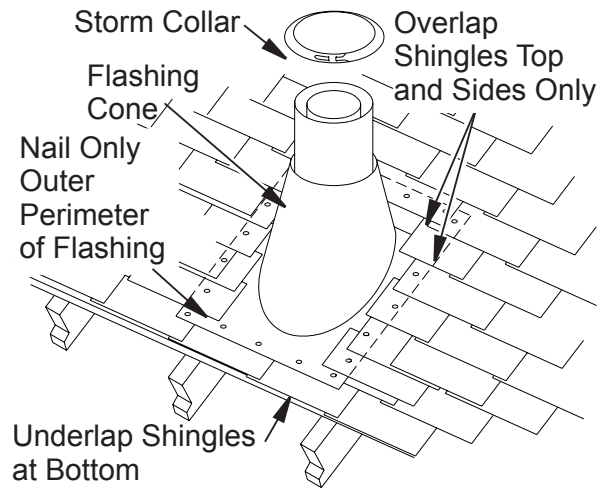
**Figure 12 - Roof Opening Measurements**

### FLASHING INSTALLATION (V6F-8DM OR V12F-8DM)

Determine the flashing to be used with the roof opening chart. Slide flashing over pipe until base is flat against roof. Replace as many shingles as needed to cover exposed area and flashing base. Secure in position by nailing through shingles (see Figure 13). **DO NOT NAIL THROUGH FLASHING CONE.**

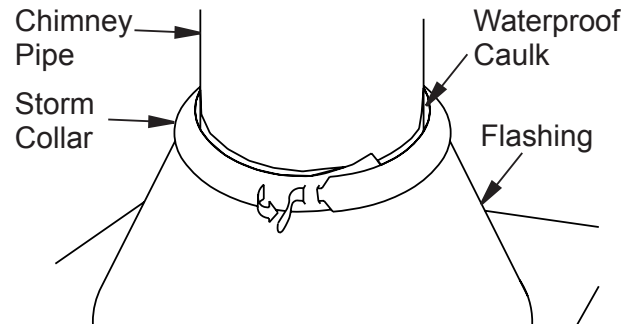
#### Installing Flashing on a Metal Roof

When installing flashing on a metal roof, it is required that putty tape be used between the flashing and roof. The flashing must be secured to the roof using #8 x 3/4" screws and then sealed with roof coating to prevent leakage through screw holes. A roof coating must also be applied around perimeter of flashing to provide a proper seal.



**Figure 13 - Flashing Installation  
Storm Collar Installation (SC1 or SC2)**

Place storm collar over pipe and slide down until it is snug against the open edge of the flashing (see Figure 14). Use SC1 for all round terminations and SC2 for all terminations with slip sections. Apply waterproof caulk around the perimeter of the collar to provide a proper seal.



**Figure 14 - Storm Collar**

### Terminations/Spark Arrestor

The fireplace system must be terminated with the listed round top or chase terminations. In any case, refer to the installation instructions supplied with the termination. The termination approved for this fireplace are the RT-8DM and RLT-8DM that can be used for flashing or chase and ET-8DM, ETO-8DM, ETL-8DM and ETLO-8DM for chase style termination only. Figure 15 shows an RLT-8DM round top termination.

**⚠ CAUTION: Do not seal openings on the rooftop flashing. Follow the installation instructions provided with the termination being used.**

Terminations with 16" slip pipe sections are available. The RTT-8DM and RLTT-8DM are approved for flashing installations. When needed, these adjustable terminations may be used in combination with the pipe assembly to achieve the correct chimney height.

**Note:** In the rare instance there is a problem with the side driven rain or wind or the chimney is not drafting properly, an ADS-8DM (Anti-Draft Shield) can be used with round terminations.

## VENTING INSTALLATION *Continued*

### CHASE INSTALLATIONS

Instructions for chase installations are included with the chase style termination chosen. In a multiple chase installation, be sure to provide adequate distance between terminations to prevent smoke spillage from one termination to another. We suggest that terminations be separated at least 24", center to center and stacked at a vertical height difference of 18" (see Figure 16).

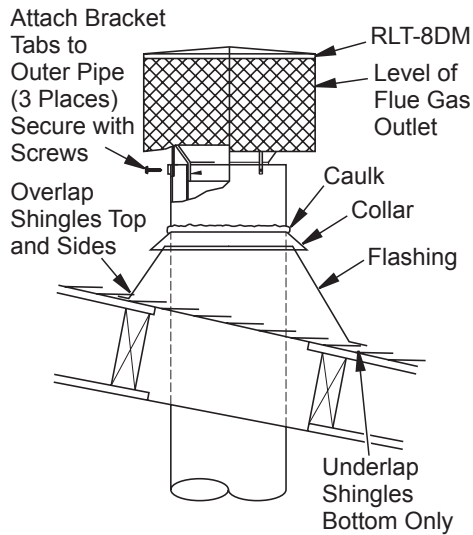
**Note:** If a decorative shroud is to be installed, contact the manufacturer for specifications.

### 10 FOOT RULE

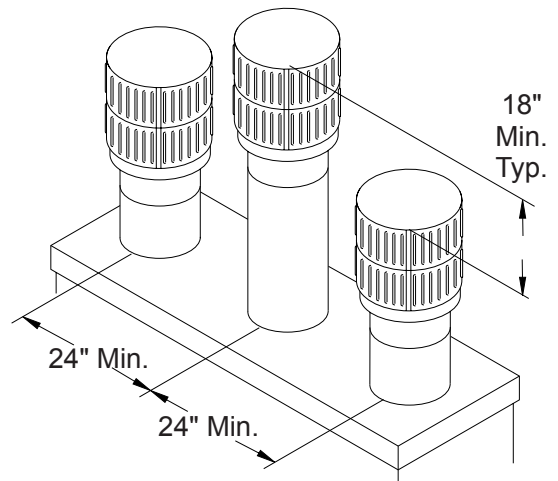
All flue gas outlet chimney terminations must extend a minimum of 3 feet in height above the highest point where it passes through the roof and must be at least 2 feet above the highest point of the roof that is within a horizontal distance of 10 feet (see Figure 17).

### FINISHING FIREPLACE

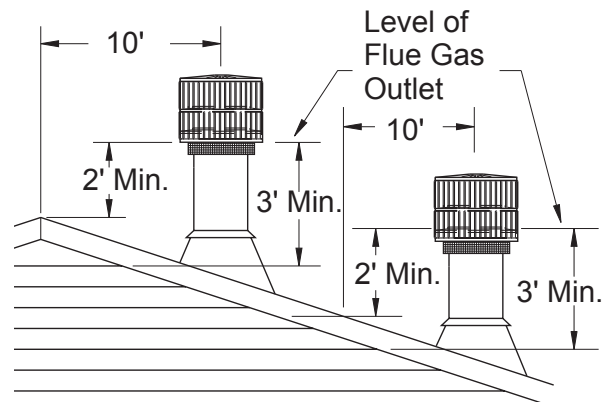
Combustible materials, such as wallboard, sheet rock, drywall, plywood, etc. may make direct contact with sides and top around the fireplace face. It is important that combustible materials do not overlap the face itself. Brick, glass, tile or other noncombustible materials may overlap the front face provided they do not obstruct essential openings like louvered slots or any other opening. When overlapping with a noncombustible facing material, use only noncombustible mortar or adhesive.



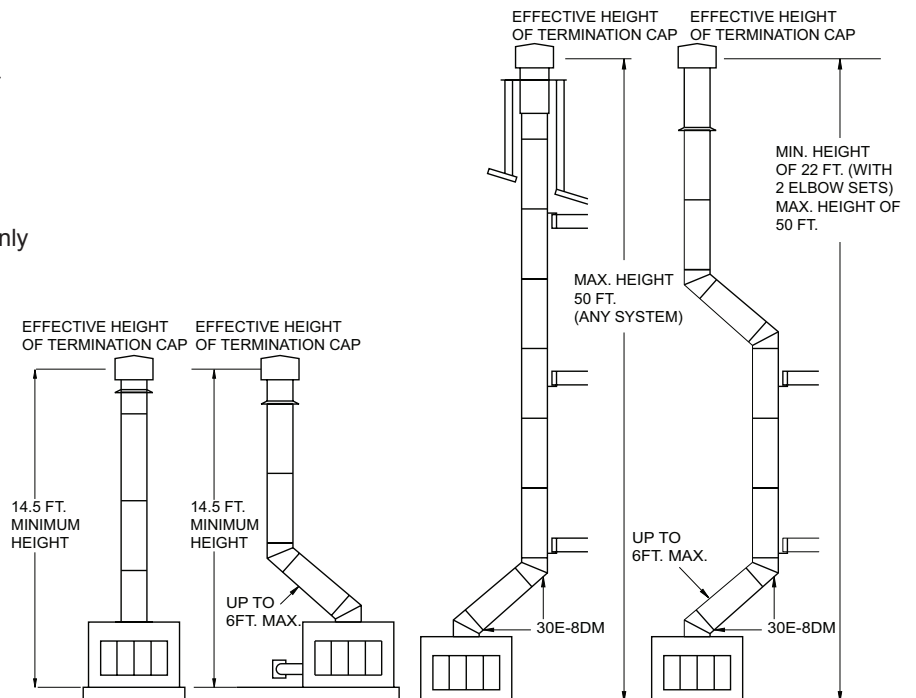
**Figure 15 - Termination**



**Figure 16 - Multiple Chase Installation**



**Figure 17 - 10 Foot Rule**



**Figure 18 - Typical Residential Installations**

## OPTIONAL GAS LINE INSTALLATION

Gas line hook up should be done by your supplier or a qualified service person.

**Note:** Before you proceed, make sure your gas supply is turned off. Use only a 1/2" black iron pipe and appropriate fittings.

1. Remove knockout indentation on refractory or firebrick wall located above the refractory hearth floor. The knockout indentation must be firmly tapped with any solid object such as a 1/2" dowel until it is released. Remove fragmented portions of refractory (see Figure 19).
2. Remove gas line cover plate located on either side of fireplace and pull out insulation from gas line conduit sleeve. Save insulation for reuse. Replace screws.
3. Run a 1/2" black iron gas line into the fireplace through the rear at gas line conduit sleeve (if using a raised platform, add height). Provide sufficient gas line into fireplace chamber for fitting connection (see Figure 20). Note: Secure incoming gas line to wood framing to provide rigidity for threaded end.
4. Repack insulation around gas line and into sleeve opening. Seal any gaps between gas line and refractory knockout hole with refractory cement or commercial furnace cement, Install the gas appliance or cap-off gas line if desired.

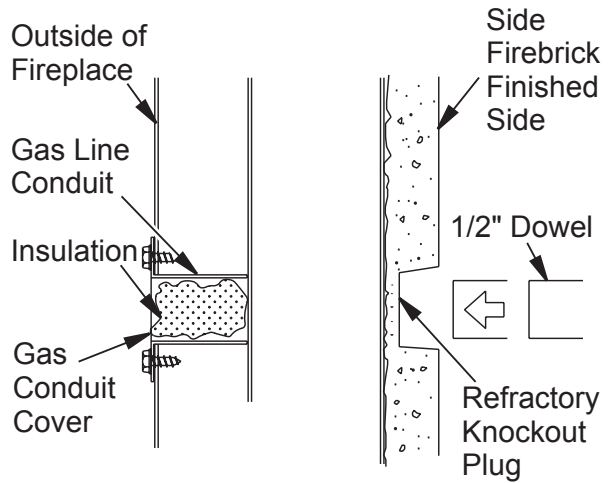


Figure 19 - Gas Line Knockout

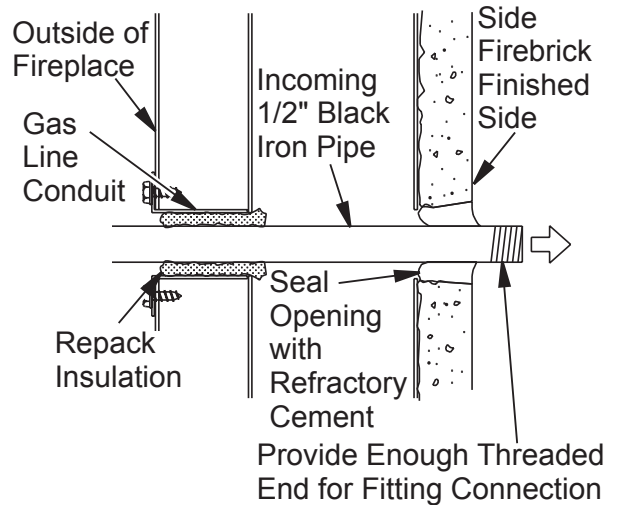


Figure 20 - Gas Line Installation

**CAUTION:** All gas piping and connections must be tested for leaks after the installation is completed. After ensuring that the gas valve is on, apply soap and water solution to all connections and joints. Bubbles forming show a leak. Correct all leaks at once. DO NOT USE AN OPEN FLAME FOR LEAK TESTING AND DO NOT OPERATE ANY APPLIANCE IF A LEAK IS DETECTED. LEAK TESTING SHOULD BE DONE BY A QUALIFIED SERVICE PERSON.

**Note:** An IHP hood must be installed when using an unvented gas log set (see [Accessories](#) on page 19).

**WARNING:** Do not operate an unvented gas log set in this fireplace with the chimney removed.

If you install a decorative gas appliance (vented gas log), the decorative gas appliance must comply with the Standard for Decorative Gas Appliance for Installation in Solid Fuel Burning Fireplaces, ANSI Z21.60 or Z21.84 and shall also be installed in accordance with the National Fuel Gas Code, ANSI 7223NFPA 54 latest edition.

**WARNING:** To avoid the risk of damaging the fireplace materials and increasing the risk of spreading a fire, do not use the fireplace to cook or warm food.

**WARNING:** If the fireplace has been used for wood burning, the firebox and chimney must be cleaned of soot, creosote and ashes by a qualified chimney cleaner. Creosote will ignite if heavily heated.

**WARNING:** When using a decorative vented gas log, the damper must be removed or permanently locked in the fully open position and the glass doors must be in the fully open position.

## OPERATION AND MAINTENANCE GUIDELINES

### GLASS DOORS

Glass doors are optional with the fireplace. When the fireplace is in operation, doors must be fully opened or fully closed position only or a fire hazard may be created (see Figure 21).

A fireplace equipped with glass doors operates much differently than a fireplace with an open front. A fireplace with glass doors has a limited amount of air for combustion. Excessive heat within the fireplace can result if too large a fire is built or if the combustion air gate is not completely open.

The following tips should be followed to assure that both the fireplace and the glass door retain their beauty and function properly. Both the flue damper and the glass doors must be fully opened before starting the fire. This will provide sufficient combustion air and maintain safe temperatures in the firebox.

**IMPORTANT:** The glass must be allowed to warm slowly and evenly. The tempered glass will withstand a gradual temperature rise to 550° F, which is more than a normal fire will generate. Such materials as pitch/wax laden logs, very dry mill end lumber and large amounts of paper or cardboard boxes can create an excessively hot fire and should not be burned in this fireplace. Always keep the fire well back from the doors and never allow flames to contact the glass.

**⚠ WARNING: Fireplaces equipped with glass doors should be operated only with doors fully opened or doors fully closed. Doors, if left partly open, may draw gas and flame out of the fireplace opening creating risks of both fire and smoke.**

**⚠ WARNING: Discontinue use of the appliance immediately if doors are damaged and contact a qualified installer for repair. Only doors certified with the appliance shall be used.**

**⚠ WARNING: Do not slam or strike doors. Damage can result in a hazardous condition.**

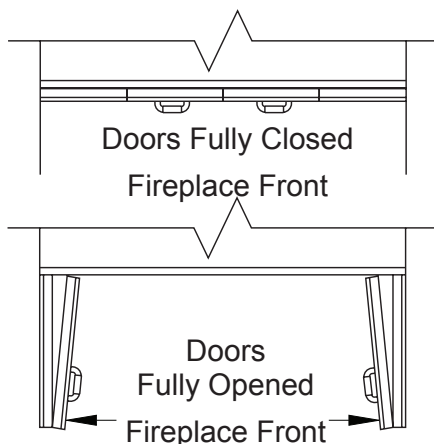


Figure 21 - Glass Doors

### Cleaning Glass

Clean the glass with any commercial glass cleaner or soap and water. Do not use any abrasive material to clean the glass. Do not clean the glass with any cool water if the glass is still hot from the fire and smoke.

A gas line or gas log lighter may be installed for the purpose of installing a vented or vent-free decorative gas appliance incorporating an automatic shutoff device and complying with the Standard for Decorative Gas Appliances for Installation in Vented Fireplaces, ANSI Z21.60 or American Gas Association draft requirements for Gas Fired Log Lighters for Wood Burning Fireplaces, Draft NO. 4 dated August, 1993.

If you wish to install an unvented (vent-free) gas log set, only unvented gas log sets which have been found to comply with the standard for unvented room heaters, ANSI Z21.11.2 are to be installed in this fireplace.

### OUTSIDE AIR AND DAMPER HANDLE OPERATION

The damper handle, which opens and closes the damper blade, is located in the upper front face of the fireplace. Pushing the handle into the left of the keyway slot will free the damper blade to automatically open. Pushing the handle in to the right will lock the damper blade closed (see Figure 22).

The outside air kit handle is located at the left hand side of the fireplace (see Figure 22). Pulling the handle out will free the outside air door to open. Pushing the handle in will lock the door closed.

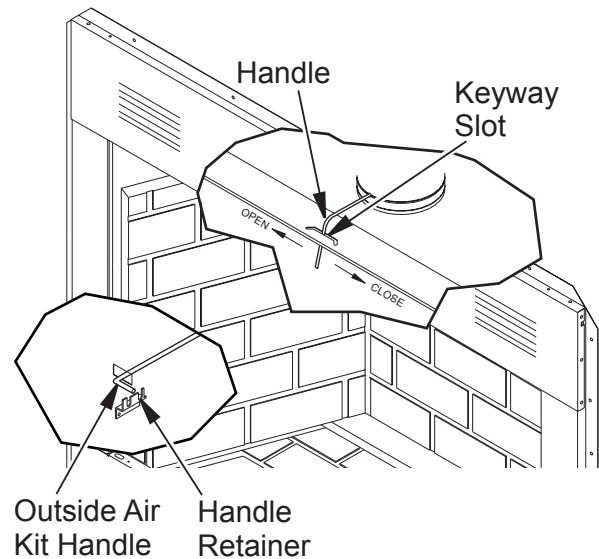


Figure 22 - Damper and Air Kit Handle

**⚠ WARNING: Risk of fire! Replace grate with IHP model 111028-01 only. This grate has been designed to keep the operation of your fireplace safe and efficient.**

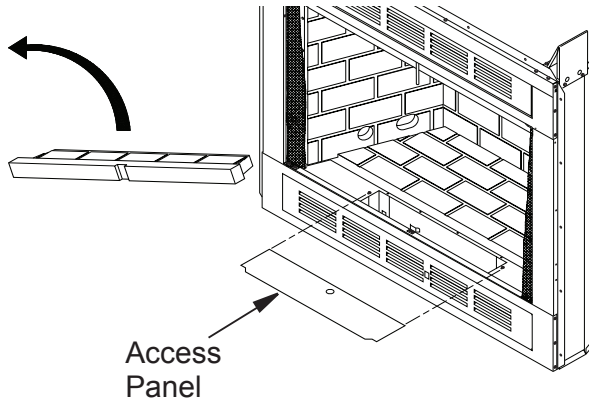
## OPERATION AND MAINTENANCE GUIDELINES

### *Continued*

#### LOCATING ACCESS COVER PLATE

Sheet metal cover plates located underneath front hearth refractory may have shifted or moved out of place while fireplace was in transit. These cover plates must be kept in the proper location prior to using the fireplace (See Figure 23).

For further operating guidelines, instructions and warranty information, please refer to your homeowner's guide or contact your authorized dealer.



**Figure 23 - Locating Access Cover Plate**

## REPLACEMENT PARTS

See Pages 15 to 17 for a complete replacement parts list. Use only parts supplied from the manufacturer.

Normally, all parts should be ordered through your IHP distributor or dealer. Parts will be shipped at prevailing prices at time of order.

When ordering repair parts, always give the following information:

1. The model number of the fireplace.
2. The serial number of the fireplace.
3. The part number.
4. The description of the part.
5. The quantity required.
6. The installation date of the fireplace.

If you encounter any problems or have any questions concerning the installation or application of this fireplace, please contact your dealer.

#### **IHP**

**1508 Elm Hill Pike, Suite 108  
Nashville, TN 37210  
Visit us at [Astria.US.com](http://Astria.US.com)**

#### **TECHNICAL SERVICE**

You may have further questions about installation, operation, or troubleshooting. Please contact your IHP dealer for any questions or concerns. When contacting your dealer please have your model and serial numbers of your fireplace ready. You can also visit our web site at [Astria.US.com](http://Astria.US.com)

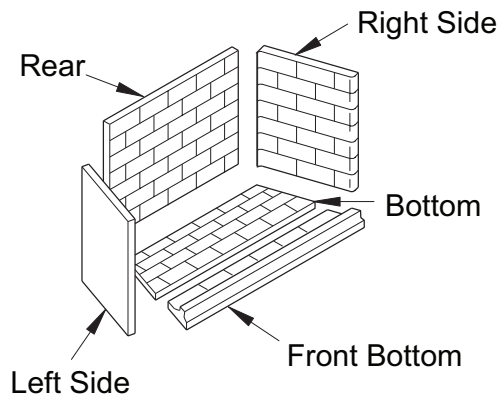
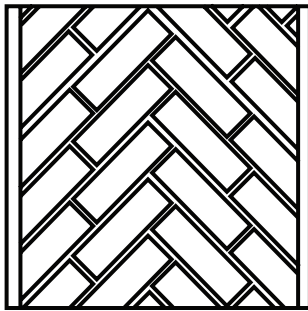
## PARTS

### WOOD BURNING FIREPLACE MODELS TUSCAN36P2 AND TUSCAN36P3

**⚠ WARNING: Contact an IHP dealer to obtain any of these parts. Never use substitute materials not approved by IHP. Use of non-approved parts can result in poor performance and safety hazards.**

| MODEL NO.  | CATALOG NO. |
|------------|-------------|
| Tuscan36P2 | F0540       |
| Tuscan36P3 | F0541       |

#### REFRACTORY BRICK



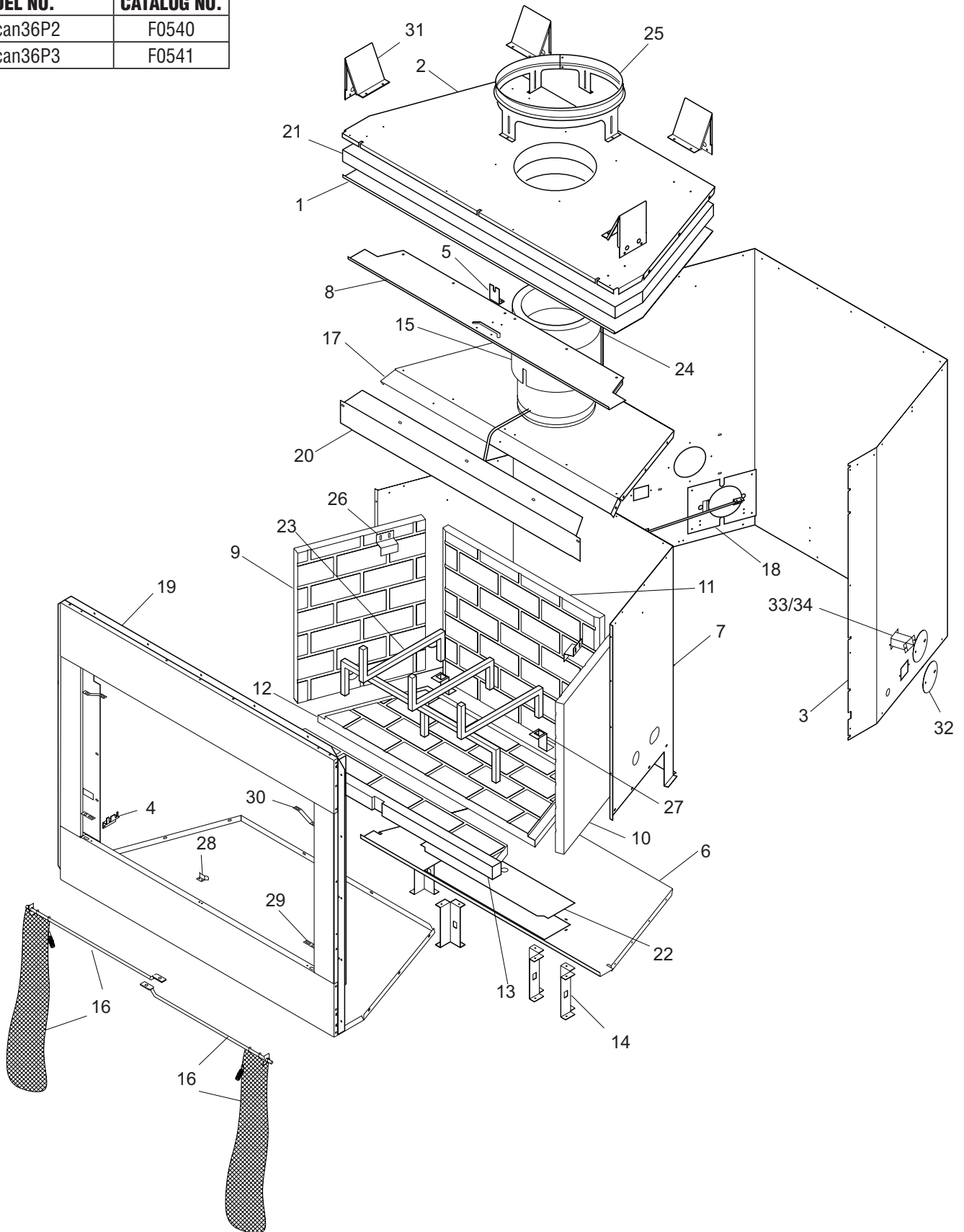
#### KEY

| NO. | CATALOG NO. | DESCRIPTION                                      | Tuscan36p2 | Tuscan36p3 | QTY. |
|-----|-------------|--|------------|------------|------|
| 9   | J3955       | Left Refractory, Natural White Stacked Brick     | •          |            | 1    |
|     | J4128       | Left Refractory, Natural White Herringbone Brick |            | •          | 1    |
| 10  | J3960       | Right Refractory, Natural White Stacked Brick    | •          |            | 1    |
|     | J4131       | Right Refractory, Natural White Herringbone      |            | •          | 1    |
| 11  | J3965       | Rear Refractory, Natural White Stacked Brick     | •          |            | 1    |
|     | J4134       | Rear Refractory, Natural White Herringbone       |            | •          | 1    |
| 12  | J4472       | Bottom Rear Refractory, Natural White Brick      | •          | •          | 1    |
| 13  | J4474       | Bottom Front Refractory, Natural White Brick     | •          | •          | 1    |

# PARTS

## WOOD BURNING FIREPLACE MODELS TUSCAN36P2 AND TUSCAN36P3

| MODEL NO.  | CATALOG NO. |
|------------|-------------|
| Tuscan36P2 | F0540       |
| Tuscan36P3 | F0541       |





## PARTS

### WOOD BURNING FIREPLACE MODELS TUSCAN36P2 AND TUSCAN36P3

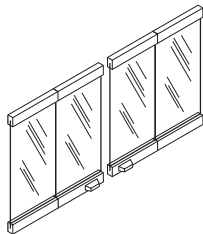
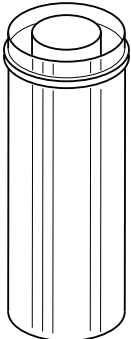
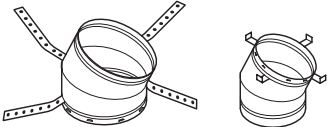
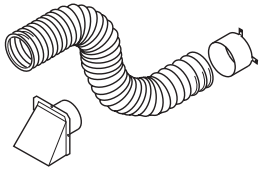
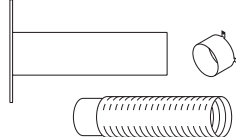

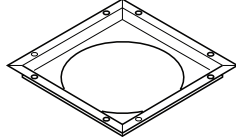
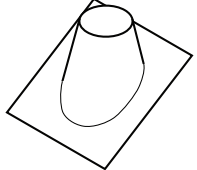
This list contains replaceable parts used in your fireplace. When ordering parts, see [Replacement Parts](#) on page 14 of this manual.

**⚠ WARNING: Contact an IHP dealer to obtain any of these parts. Never use substitute materials not approved by IHP. Use of non-approved parts can result in poor performance and safety hazards.**

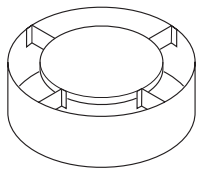
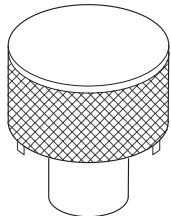
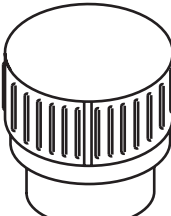
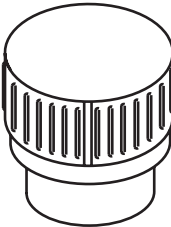
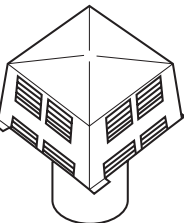
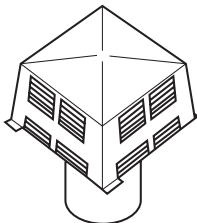
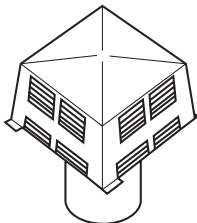
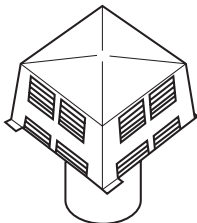
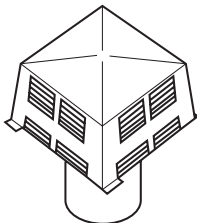
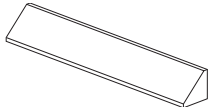
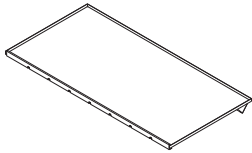
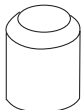

| KEY NO.                          | CATALOG NO. | DESCRIPTION                          | QTY. |
|----------------------------------|-------------|--------------------------------------|------|
| 1                                | **          | Insulation Pan                       | 1    |
| 2                                | **          | Fireplace Top                        | 1    |
| 3                                | **          | Fireplace Surround                   | 1    |
| 4                                | J3946       | Air Rod Retainer                     | 1    |
| 5                                | J3947       | Damper Rod Retainer                  | 1    |
| 6                                | **          | Firebox Bottom                       | 1    |
| 7                                | **          | Firebox Surround                     | 1    |
| 8                                | **          | Air Separator                        | 1    |
| 9                                | See page 15 | Left, Refractory Brick Liner         | 1    |
| 10                               | See page 15 | Right, Refractory Brick Liner        | 1    |
| 11                               | See page 15 | Rear, Refractory Brick Liner         | 1    |
| 12                               | See page 15 | Bottom Rear Refractory, Brick Liner  | 1    |
| 13                               | See page 15 | Bottom Front Refractory, Brick Liner | 1    |
| 14                               | J3972       | Firebox Support Leg                  | 4    |
| 15                               | **          | Damper Can Collar                    | 1    |
| 16                               | J8012       | Screen Assembly kit                  | 1    |
| 17                               | **          | Firebox Top Assembly                 | 1    |
| 18                               | J3980       | Air Kit Door Assembly                | 1    |
| 19                               | **          | Face Weldment                        | 1    |
| 20                               | J4470       | Air Deflector                        | 1    |
| 21                               | **          | Fireplace Top Insulation             | 1    |
| 22                               | J4052       | Access Panel                         | 1    |
| 23                               | J4491       | Grate                                | 1    |
| 24                               | **          | Collar Insulation                    | 1    |
| 25                               | J6893       | Chimney Starter Collar               | 1    |
| 26                               | J6895       | Refractory Retainer                  | 2    |
| 27                               | J3939       | Grate Retainer                       | 2    |
| 28                               | J4504       | Door Stop                            | 1    |
| 29                               | J4523       | Pivot Clip                           | 2    |
| 30                               | J6905       | Spring Clip                          | 2    |
| 31                               | J6918       | Top Spacer                           | 4    |
| 32                               | J6934       | Conduit Plate Cover                  | 4    |
| 33                               | J6951       | Gas Conduit                          | 2    |
| 34                               | J6952       | Gas Conduit                          | 2    |
| <b>PARTS AVAILABLE NOT SHOWN</b> |             |                                      |      |
|                                  | 106625-01   | Home Owner's Guide                   | 1    |
|                                  | J6906       | Ember Protector                      | 2    |

\*\* Not a field replaceable part

## ACCESSORIES

| <b>BI-FOLD GLASS DOORS</b>                                |              |  |    |
|---|--------------|--|---|
| <b>CAT NO.</b>  | <b>MODEL</b> | <b>DESCRIPTION</b>                                       |   |
| F0987   | BDO36        | 36" Outdoor Bi-Fold Glass Door - Black finish            |   |
| F0988   | BDO36B       | 36" Outdoor Bi-Fold Glass Door - Brushed Brass finish    |   |
| F0989   | BDO36P       | 36" Outdoor Bi-Fold Glass Door - Platinum finish         |   |
| <b>DOUBLE WALL PIPE</b>                                   |              |  |    |
| F0895   | 12-8DM       | 12" Section Double Wall Pipe Snap Lock                   |   |
| F0896   | 18-8DM       | 18" Section Double Wall Pipe Snap Lock                   |   |
| F0897   | 24-8DM       | 24" Section Double Wall Pipe Snap Lock                   |   |
| F0898   | 36-8DM       | 36" Section Double Wall Pipe Snap Lock                   |   |
| F0899   | 48-8DM       | 48" Section Double Wall Pipe Snap Lock                   |   |
| F0881   | 12-8HT       | 12" Section Hi-Temp Double Wall Pipe Snap Lock           |   |
| F0882   | 18-8HT       | 18" Section Hi-Temp Double Wall Pipe Snap Lock           |   |
| F0883   | 24-8HT       | 24" Section Hi-Temp Double Wall Pipe Snap Lock           |   |
| F0884   | 36-8HT       | 36" Section Hi-Temp Double Wall Pipe Snap Lock           |   |
| F0885   | 48-8HT       | 48" Section Hi-Temp Double Wall Pipe Snap Lock           |   |
| <b>30° OFFSET AND RETURN</b>                              |              |  |   |
| F0900   | 30E-8DM      | 30 Degree Offset and Return                              |   |
| <b>OPTIONAL OUTSIDE AIR KIT FOR FLOOR INSTALLATION</b>    |              |  |  |
| F1091   | AK4          | Complete Outside Air Kit w/Collars Hood & 3' Flex        |   |
| <b>OPTIONAL OUTSIDE AIR KIT FOR SIDEWALL INSTALLATION</b> |              |  |  |
| F1093   | AK4F         | Outside Air Kit Collar, Hood & 3' Flex for Floor Venting |   |
| <b>STORM COLLAR</b>                                       |              |  |  |
| F0915   | SC1-1        | Storm Collar   |   |
| <b>FIRESTOP SPACER</b>                                    |              |  |  |
| F0907   | 3600FS-8DM-1 | 1" Clearance Firestop Spacer                             |   |
| <b>ROOF FLASHING</b>                                      |              |  |  |
| F0909   | V6F-8DM      | Roof Flashing 0 to 6/12 Pitch (30" Base)                 |   |
| F0910   | V12F-8DM     | Roof Flashing 6/12 to 12/12 Pitch                        |   |

## ACCESSORIES *Continued*

|  |                  |   |   |
|--|------------------|---|---|
| <b>ANTI-DRAFT SHIELD<br/>(Round Top Termination Only)</b>                                      |                  |   |    |
| F0927  | ADS-8DM          | Anti-Draft Shield for Round Top Only                    |   |
| <b>MESH ROUND TOP TERMINATIONS</b>   |                  |   |    |
| F0916  | RT-8DM           | Round Top with Mesh Screen                              |   |
| F0888  | RT-8HT           | Hi-Temp Round Top with Mesh Screen                      |   |
| <b>MESH ROUND TOP TERMINATIONS WITH SLIP SECTION</b>   |                  |   |   |
| F0917  | RTT-8DM          | Round Top with Slip Section & Mesh                      |    |
| F0889  | RTT-8HT          | Hi-Temp Round Top w/Mesh Screen and Slip Section        |   |
| <b>ROUND TOP TERMINATIONS WITH LOUVERS</b>   |                  |   |    |
| F0918  | RLT-8DM          | Round Top with Louvered Screen                          |   |
| F0890  | RLT-8HT          | Hi-Temp Round Top with Louvered Screen                  |   |
| <b>ROUND TOP TERMINATIONS WITH LOUVERS W/SLIP SECTION</b>                                      |                  |   |   |
| F0919  | RLTT-8DM         | Round Top with Slip Section & Louvers                   |   |
| F0891  | RLTT-8HT         | Hi-Temp Round Top w/Lvrd. Screen and Slip Section       |   |
| <b>SQUARE TOP TERMINATION WITH LOUVERS</b>   |                  |   |   |
| F0920  | ET-8DM           | Square Top  |   |
| F0892  | ET-8HT           | Hi-Temp Pyramid Top with Slip Section                   |   |
| <b>SQUARE TOP TERMINATION WITH LOUVERS AND SLIP SECTION</b>                                    |                  |   |   |
| F0921  | ETL-8DM          | Square Top with Slip Section                            |   |
| F0893  | ETL-8HT          | Hi-Temp Large Pyramid Top with Slip Section             |   |
| <b>MESH SQUARE TOP TERMINATION</b>   |                  |   |   |
| F0922  | ETO-8DM          | Square Top with Mesh                                    |   |
| <b>MESH SQUARE TOP TERMINATION WITH SLIP SECTION</b>   |                  |   |   |
| F0923  | ETLO-8DM         | Square Top with Mesh and Slip Section                   |   |
| <b>STAINLESS STEEL HOOD</b><br>Required when installing a vent-free gas log in this fireplace. |                  |   |  |
| F1052  | HS36             | 36" Stainless Steel Hood w/4" Brow                      |   |
| <b>DRAIN PAN</b>   |                  |   |  |
| F1089  | DP36             | Drain Pan   |   |
| <b>FIRESTOP THIMBLE</b>  |                  |   |  |
| F0911  | 38FST            | Firestop Thimble ( Use when penetrating a joist)        |   |
| F0912  | FST30            | Firestop Thimble ( Use when offsetting through a joist) |   |
| <b>LABEL-UL127-50PK</b>  |                  |   |  |
| F2659  | LABEL-UL127-50PK | UL127 Venting Label - 50 PK                             |   |

Canadian code CAN/ULC-S610-M87 and other pertinent codes require stainless steel chimney for the installation of this fireplace. A Cold Air Climate Kit is also required in Canada and is recommended for cooler regions in the United States. Below, find a list of approved stainless steel parts.

**Chimney Parts List for Canada**

| Catalog No. | Model No. | 8" Hi-Temp Wood burning Chimney   |
|-------------|-----------|---|
| F0881       | 12-8HT    | 12" Section Hi-Temp Double Wall Pipe Snap Lock                          |
| F0882       | 18-8HT    | 18" Section Hi-Temp Double Wall Pipe Snap Lock                          |
| F0883       | 24-8HT    | 24" Section Hi-Temp Double Wall Pipe Snap Lock                          |
| F0884       | 36-8HT    | 36" Section Hi-Temp Double Wall Pipe Snap Lock                          |
| F0885       | 48-8HT    | 48" Section Hi-Temp Double Wall Pipe Snap Lock                          |
| F0886       | 30E-8HT   | 30 Degree Hi-Temp Offset and Return                                     |
| F0887       | 12S-8HT   | Hi-Temp Chimney Support (For Use With Chimney Heights In Excess of 30') |
| F0888       | RT-8HT    | Hi-Temp Round Top with Mesh Screen                                      |
| F0889       | RTT-8HT   | Hi-Temp Round Top with Mesh Screen and Slip Section                     |
| F0890       | RLT-8HT   | Hi-Temp Round Top with Louvered Screen                                  |
| F0891       | RLTT-8HT  | Hi-Temp Round Top with Louvered Screen and Slip Section                 |
| F0892       | ET-8HT    | Hi-Temp Pyramid Top with Slip Section                                   |
| F0893       | ETL-8HT   | Hi-Temp Large Pyramid Top with Slip Section (use with all 8" systems)   |
| F0894       | AP-8HT    | Hi-Temp Anchor Plate/Collar Assembly (for masonry fireplaces)           |
| F0929       | CAK-8     | Cold Air Collar Kit - 8" Chimney  |

\*When ordered alone, this part cannot ship via parcel delivery services.

**IMPORTANT NOTICE**

**A manufactured shroud which has been approved by a national testing agency for use with this fireplace may be used if installed in accordance with the instructions by its manufacturer. A locally fabricated shroud may be used with IHP Shroud Leg Spacer Kit (SLK) in accordance with instructions provided with the shroud.**

**NOTICE: The firebox canopy (hood) must not be modified or replaced with a canopy that may be provided with the unvented decorative room heater.**

**CAUTION: THE STRUCTURAL INTEGRITY OF THE MANUFACTURED HOME FLOOR, WALL, AND CEILING/ROOF MUST BE MAINTAINED.**

**⚠ WARNING: DO NOT INSTALL IN SLEEPING ROOM OF MOBILE HOMES.**





# Innovative Hearth Products Astria® Brand Wood-Burning Fireplace 20 Year Limited Warranty

## THE WARRANTY

Innovative Hearth Products ("IHP") 20 Year Limited Warranty warrants your Astria® brand wood burning fireplace ("Product") to be free from defects in materials and workmanship at the time of manufacture. The Product body, firebox and ceramic glass carry the 20 Year Limited Warranty. Ceramic glass carries the 20 Year Limited Warranty against thermal breakage only. After installation, if covered components manufactured by IHP are found to be defective in materials or workmanship during the 20 Year Limited Warranty period and while the Product remains at the site of the original installation, IHP will, at its option, repair or replace the covered components. If repair or replacement is not commercially practical, IHP will, at its option, refund the purchase price or wholesale price of the IHP product, whichever is applicable. IHP will also pay IHP prevailing labor rates, as determined in its sole discretion, incurred in repairing or replacing such components for up to five years. THERE ARE EXCLUSIONS AND LIMITATIONS to this 20 Year Limited Warranty as described herein.

## COVERAGE COMMENCEMENT DATE

Warranty coverage begins on the date of purchase. In the case of new home construction, warranty coverage begins on the date of first occupancy of the dwelling or six months after the sale of the Product by an independent IHP dealer/distributor, whichever occurs earlier. The warranty shall commence no later than 24 months following the date of product shipment from IHP, regardless of the installation or occupancy date.

## EXCLUSIONS AND LIMITATIONS

This 20 Year Limited Warranty applies only if the Product is installed in the United States or Canada and only if operated and maintained in accordance with the printed instructions accompanying the Product and in compliance with all applicable installation and building codes and good trade practices.

This warranty is non-transferable and extends to the original owner only. The Product must be purchased through a listed supplier of IHP and proof of purchase must be provided. The Product body and firebox carry the 20 Year Limited Warranty from the date of installation. Vent components, trim components, paint and applied stains are excluded from this 20 Year Limited Warranty. The following do not carry a 20 Year Limited Warranty but are warranted as follows:

**Air tubes, baffles and brick retainers** – Repair or replacement for one year from the date of installation

**Cast iron parts** – Replacement for one year from date of installation

**Electrical components** – Repair or replacement for one year from the date of installation

**Fireplace screens, refractory and side shields (metal or refractory)** – Repair or replacement for two years from date of installation. Excludes hairline cracks.

**Fuel grates** – These parts are considered consumable accessories and therefore are not warranted, with the exception of defects in material or workmanship which are covered for 90 days from the date of installation

**Gaskets** – Replacement for one year from date of installation

**Gold & nickel plating** – Replacement for two years from date of installation. Excludes tarnishing

**Optional glass doors** – Repair or replacement for 90 days from the date of installation

**Labor coverage** – Prevailing IHP labor rates apply for the warranty period of the component.

**Parts not otherwise listed carry a 90 day warranty from the date of installation.**

**Whenever practicable, IHP will provide replacement parts, if available, for a period of 10 years from the last date of manufacture of the Product.**

IHP will not be responsible for: (a) damages caused by normal wear and tear, accident, riot, fire, flood or acts of God; (b) damages caused by abuse, negligence, misuse, or unauthorized alteration or repair of the Product affecting its stability or performance. (The Product must be subject to normal use with approved fuels listed in the Operation Manual provided with the product. This includes burning such fireplace fuels as wood and natural or propane gas. Fuel products with abnormal burning characteristics, including but not limited to fuel such as driftwood, coal or plywood and wood products using a binder may burn at excessive temperatures and may cause damage to the Product or may cause it to function improperly.); (c) damages caused by failing to provide proper maintenance and service in accordance with the instructions provided with the Product; (d) damages, repairs or inefficiency resulting from faulty installation or application of the Product.

Coverage of this 20 Year Limited Warranty is conditional upon use of an adequate fuel grate on factory-built fireplaces only, when applicable.

IHP is not responsible for inadequate fireplace system draft caused by air conditioning and heating systems, mechanical ventilation systems, or general construction conditions which may generate negative air pressure in the room in which the appliance is installed. Additionally IHP assumes no responsibility for smoking conditions caused by inadequate chimney height, adjoining trees or buildings, adverse wind conditions or unusual environmental factors and conditions. Certain IHP Products are listed for use with Security Chimneys International, Ltd. or IHP chimney systems only. Use of chimney components other than that specified in the Product manual will void the Product warranty.

This 20 Year Limited Warranty covers only parts and labor as provided herein. In no case shall IHP be responsible for materials, components or construction which are not manufactured or supplied by IHP or for the labor necessary to install, repair or remove such materials, components or construction. Additional utility bills incurred due to any malfunction or defect in equipment are not covered by this 20 Year Limited Warranty. All replacement or repair components will be shipped F.O.B. from the nearest stocking IHP factory.

## LIMITATION ON LIABILITY

It is expressly agreed and understood that IHP's sole obligation and the purchaser's exclusive remedy under this warranty, under any other warranty, expressed or implied, or in contract, tort or otherwise, shall be limited to replacement, repair, or refund, as specified herein.

In no event shall IHP be liable for any incidental or consequential damages caused by defects in the Product, whether such damage occurs or is discovered before or after replacement or repair, and whether such damage is caused by IHP's negligence. IHP has not made and does not make any representation or warranty of fitness for a particular use or purpose, and there is no implied condition of fitness for a particular use or purpose.

IHP makes no expressed warranties except as stated in this 20 Year Limited Warranty. The duration of any implied warranty is limited to the duration of this expressed warranty.

No one is authorized to change this 20 Year Limited Warranty or to create for IHP any other obligation or liability in connection with the Product. Some states and provinces do not allow the exclusion or limitation of incidental or consequential damages, so the above limitations or exclusions may not apply to you. The provisions of this 20 Year Limited Warranty are in addition to and not a modification of or subtraction from any statutory warranties and other rights and remedies provided by law.

## INVESTIGATION OF CLAIMS AGAINST WARRANTY

IHP reserves the right to investigate any and all claims against this 20 Year Limited Warranty and to decide, in its sole discretion, upon the method of settlement.

To receive the benefits and advantages described in this 20 Year Limited Warranty, the appliance must be installed and repaired by a licensed contractor approved by IHP.

Contact IHP at the address provided herein to obtain a listing of approved dealers/distributors. **IHP shall in no event be responsible for any warranty work done by a contractor that is not approved without first obtaining IHP's prior written consent.**

## HOW TO REGISTER A CLAIM AGAINST WARRANTY

In order for any claim under this warranty to be valid, you must contact the IHP dealer/distributor from which you purchased the product. If you cannot locate the dealer/distributor, then you must notify IHP in writing. IHP must be notified of the claimed defect in writing within 90 days of the date of failure. Notices should be directed to the IHP Warranty Department at 1508 Elm Hill Pike, Suite 108; Nashville, TN 37210 or visit our website at WWW.ASTRIA.US.COM.

---

---

## WARRANTY

---

---

KEEP THIS WARRANTY

Model Number \_\_\_\_\_  
Serial Number \_\_\_\_\_  
Date Installed \_\_\_\_\_  
Dealer's Name \_\_\_\_\_  
Dealer's Phone Number \_\_\_\_\_  
Keep receipt for warranty verification

---

Innovative Hearth Products reserves the right to make changes at any time, without notice, in design, materials, specifications, prices and also to discontinue colors, styles and products. Consult your local distributor for fireplace code information.



P126764-01

Printed in U.S.A. © 2014 IHP LLC  
P/N 126764-01 Rev. D 10/2015.



1508 Elm Hill Pike, Suite 108 • Nashville, TN 37210