



P/N 900358-01 Rev. B 02/2017

Ce manuel est disponible en français, simplement en faire la demande. Numéro de la pièce 900358-03.



Installation and Operation Instructions

Montebello® See-Through Direct-Vent Gas Fireplaces with Power-Vent

Model

MontebelloSTTYN

INSTALLER: Leave this manual with the appliance.
CONSUMER: Retain this manual for future reference.

Installateur : Laissez cette notice avec l'appareil.
Consommateur : Conservez cette notice pour consultation ultérieure.

This appliance may be installed in an aftermarket permanently located, manufactured home (USA only) or mobile home, where not prohibited by local codes. This appliance is only for use with the type of gas indicated on the rating plate. This appliance is not convertible for use with other gases, unless a certified kit is used.

Cet appareil peut être installé dans une maison préfabriquée (mobile) déjà installée à demeure, si les règlements locaux le permettent. Ce appareil doit être utilisé uniquement avec le type de gaz indiqué sur la plaque signalétique. Cet appareil ne peut être converti à d'autres gaz, sauf si une trousse de conversion est utilisée.



WARNING:

FIRE OR EXPLOSION HAZARD

Failure to follow safety warnings exactly could result in serious injury, death, or property damage.

- Do not store or use gasoline or other flammable vapors and liquids in the vicinity of this or any other appliance.
- **WHAT TO DO IF YOU SMELL GAS**
 - Do not try to light any appliance.
 - Do not touch any electrical switch; do not use any phone in your building.
 - Leave the building immediately.
 - Immediately call your gas supplier from a neighbor's phone. Follow the gas supplier's instructions.
 - If you cannot reach your gas supplier, call the fire department.
- Installation and service must be performed by a qualified installer, service agency or the gas supplier.



AVERTISSEMENT:

RISQUE D'INCENDIE OU D'EXPLOSION

Le non-respect Des avertissements de sécurité pourrait entraîner des blessures graves, la mort ou des dommages matériels.

- Ne pas entreposer ni utiliser d'essence ni d'autres vapeurs ou liquides inflammables dans le voisinage de cet appareil ou de tout autre appareil.
- **QUE FAIRE SI VOUS SENTEZ UNE ODEUR DE GAZ:**
 - Ne pas tenter d'allumer d'appareil.
 - Ne touchez à aucun interrupteur. Ne pas vous servir des téléphones se trouvant dans le bâtiment où vous trouvez.
 - Sortez immédiatement de bâtiment.
 - Appelez immédiatement votre fournisseur de gaz depuis un voisin. Suivez les instructions du fournisseur.
 - Si vous ne pouvez rejoindre le fournisseur de gaz, appelez le service des incendies.
- L'installation et l'entretien doivent être assurés par un installateur ou un service d'entretien qualifié ou par le fournisseur de gaz.

SAFETY AND YOUR FIREPLACE

See attached color flyer for proper color representation



DANGER



HOT GLASS WILL CAUSE BURNS.
DO NOT TOUCH GLASS UNTIL COOLED.
NEVER ALLOW CHILDREN TO TOUCH GLASS.

A barrier designed to reduce the risk of burns from the hot viewing glass is provided with this appliance and shall be installed for the protection of children and other at-risk individuals.

Voir ci-joint tract pour une bonne représentation de la couleur



DANGER



VITRE CHAUDE RISQUE DE BRÛLURES.
NE TOUCHEZ PAS UNE VITRE NON REFROIDIE.
NE LAISSEZ JAMAIS UN ENFANT DE TOUCHER LA VITRE.

L'écran pare-étincelles fourni avec ce foyer réduit le risque de brûlure en cas de contact accidentel avec la vitre chaude et doit être installé pour la protection Des enfants et Des personnes à risques.

Vea el volante adjunto para la representación de color adecuado



PELIGRO



EL VIDRIO CALIENTE CAUSARÁ QUEMADURAS.
USTED DEBE NUNCA TOCAR EL VIDRIO CALIENTE.
LOS NIÑOS DEBEN NUNCA TOCAR EL VIDRIO.

Una barrera diseñada para reducir el riesgo de quemaduras desde la mirilla (vidrio) caliente es proveida con este aparato y deberá instalarse para la protección de los niños y otros individuos en riesgo.

Safety and Your Fireplace

All parts of your IHP fireplace get EXTREMELY HOT!

- To prevent severe burns and injuries, do Not remove the barrier on the appliance which prevents direct contact with the glass.
- Follow the safety instructions below and be sure everyone in your household understands this burn hazard:
 - **The surfaces on your fireplace get EXTREMELY HOT!**
 - **The glass on the front of the fireplace reaches EXTREMELY HIGH temperatures and can cause severe burns if touched.**
 - **Keep children away from an operating fireplace. Closely supervise children in any room where a fireplace is operating to prevent contact with glass.**
 - **Keep clothing, furniture, gasoline, and other flammable liquids away from the fireplace.**
 - **Even after the gas is turned off, fireplace surfaces remain extremely hot.**
- Be sure to attach the enclosed **Safety-in-Operation Warnings** where you turn on your fireplace, to help remind everyone of the dangers associated with high temperatures (*Page 33*).
- Read **Important Safety Information** (*Page 4*).



La sécurité et votre foyer

Toutes les parties de votre foyer IHP deviennent EXTRÊMEMENT CHAUDES !

- Afin d'éviter les brûlures graves ou les blessures, ne pas retirer l'écran de protection de la foyer qui empêche tout contact direct avec la vitre.
- Suivez les instructions de sécurité ci-dessous et veillez à ce que tous les membres de votre famille soient conscients du danger de brûlure encouru :
 - **Les surfaces de votre foyer deviennent EXTRÊMEMENT CHAUDES !**
 - **La vitre située à l'avant du foyer atteint des températures EXTRÊMEMENT ÉLEVÉES et peut causer de graves blessures en cas de contact.**
 - **Tenez les enfants à l'écart du foyer lorsqu'il fonctionne. Surveillez attentivement les enfants dans les pièces où un foyer est utilisé afin d'éviter qu'ils ne soient en contact avec la vitre.**
 - **Tenez tous les vêtements, les meubles, l'essence et tout autre liquide inflammable à l'écart du foyer.**
 - **Même après fermeture du gaz, les surfaces du foyer restent extrêmement chaudes.**
- Veillez à coller les **Étiquettes de mise en garde relatives à la sécurité d'utilisation** à l'endroit où vous utilisez le foyer, pour rappeler à tous les utilisateurs les dangers liés aux températures élevées (*Page 33*).
- Lisez **L'information de sûreté importante** (*Page 4*).



Seguridad y su chimenea

¡Todas las partes de la chimenea IHP se ponen MUY CALIENTES!

- Para evitar quemaduras y lesiones graves, no quite el protector de malla o guardia de seguridad que evita el contacto directo con el vidrio.
- Siga las instrucciones de seguridad a continuación y asegúrese de que todos en su hogar sepan acerca de este peligro de quemadura:
 - **¡Las superficies de la chimenea se ponen MUY CALIENTES!**
 - **El vidrio delante de la chimenea alcanza temperaturas EXTREMADAMENTE ALTAS y puede causar quemaduras graves si se toca.**
 - **Mantenga a los niños alejados de la chimenea en funcionamiento. Supervise en forma cercana a los niños en cualquier cuarto donde haya una chimenea funcionando para impedir el contacto con el vidrio.**
 - **Mantenga la ropa, mobiliario, gasolina y otros líquidos inflamables alejados de la chimenea.**
 - **Aún después de haber apagado el gas, las superficies de la chimenea permanecen extremadamente calientes.**
- Asegúrese de colocar las **Etiquetas de advertencia de seguridad de operación** en el lugar donde enciende la chimenea, para que todos recuerden los peligros asociados con las altas temperaturas (*Página 33*).
- Lea **Información importante de seguridad** (*Página 4*).

TABLE OF CONTENTS

| | |
|--|-----------|
| Packaging | 4 |
| Introduction | 4 |
| Approved Vent Components | 4 |
| General Information | 4 |
| Misc. Codes/Standards | 5 |
| Inputs and Efficiencies | 5 |
| Gas Supply Pressure Requirements..... | 5 |
| Orifice Sizes | 5 |
| Gas Valve Diagram | 5 |
| Massachusetts Requirements | 5 |
| Cold Climate Insulation | 7 |
| Manufactured Home Requirements | 4 |
| Location | 7 |
| Vent Termination Clearances | 8 |
| Hearth Extensions (Optional) | 10 |
| Minimum Clearances to Combustibles..... | 11 |
| Pre-Installation Steps..... | 12 |
| Typical Installation Sequence | 12 |
| Detailed Installation Steps..... | 22 |
| Finishing Requirements | 31 |
| Attaching Safety-in-Operation | |
| Warnings | 33 |
| Installation Accessories | 34 |
| Gas Conversion Kits | 35 |
| Important Safety Information | 36 |
| Appliance Installation, Service, and Maintenance Notices | 37 |
| Appliance Operation Notices | 38 |
| Operation and Care of Your Appliance | 40 |
| Maintenance | 43 |
| Removal/Installation of Glass Doors, Barrier, and Modesty Panel..... | 44 |
| Placement of Volcanic Stone, Glowing Embers, and Logs | 45 |
| Burner Adjustments | 48 |
| Electronic Appliance Checkout | 48 |
| Ordering Replacement Parts | 49 |
| Wiring Diagram | 49 |
| Accessory Components..... | 50 |
| Operating (Lighting) Instructions | 52 |
| Maintenance Schedule | 54 |
| Troubleshooting Electronic Gas Control System..... | 55 |
| Troubleshooting Power Vent System | 56 |
| Replacement Parts List | 57 |
| Warranty | 61 |

PACKAGING

- **Fireplace Components:**
 - (1) Literature Kit (this manual)
 - (1) Remote Control Kit
 - (1) Log Set
 - (1) Vent Restrictor Assembly
 - (1) bag Platinum Glowing Embers
 - (4) bags Volcanic Stone
 - (1) ea. Door Modesty Shield
 - (2) Barriers
- **Power Vent Components:**
 - (1) ea. Power Vent Termination
 - (1) ea. Termination Adaptor
 - (1) ea. Horizontal Firestop Assembly
 - (1) ea. Vacuum Hose
 - (1) ea. 11/32" Hose Clamp
 - (1) ea. Strain Relief
 - (1) ea. Bushing
 - (4) ea. 1/4" Insulated Male Terminals
 - (2) ea. #10 Ring Terminals
- **Panel Kit** (sold separately; REQUIRED for all fireplace models) - one of the following kits:
 - Architectural Stone Ceramic
 - Venetian Tile Ceramic
 - Buff Herringbone Ceramic
 - Buff Rustic Ceramic
 - Black Rustic Ceramic
 - Black Porcelain
- **Outdoor Kit** (sold separately; REQUIRED for indoor/outdoor installations)

NOTE: If the barrier becomes damaged, the barrier shall be replaced with the manufacturer's barrier for this appliance.

FOR USE WITH BARRIER(S) PART NO(S). J7422 (40" MODELS).

INTRODUCTION

The See-Through Power Vent is a direct-vent, sealed combustion gas fireplace designed for either **indoor/indoor** or **indoor/outdoor** residential applications (including screened porches and lanais).

NOTE: INDOOR/OUTDOOR INSTALLATIONS REQUIRE AN OUTDOOR INSTALLATION KIT (SOLD SEPARATELY).

These appliances are designed to operate on natural gas. (Propane units are available as a field conversion.) The system is switchable between standing and intermittent pilot modes.

External electrical power is required to operate these units.

Approved Vent Components

These fireplaces are designed, tested, and listed for operation and installation with the following vent components (4-1/2" inner and 7-1/2" outer) only:

- **Secure Vent®** direct-vent system components manufactured by Security Chimneys International.

These approved vent system components are labeled for identification. Do NOT use any other manufacturer's vent components with these appliances.

GENERAL INFORMATION

 **WARNING**

Young children should be carefully supervised when they are in the same room as the appliance. Toddlers, young children and others may be susceptible to accidental contact burns. A physical barrier is recommended if there are at risk individuals in the house. To restrict access to a fireplace or stove, install an adjustable safety gate to keep toddlers, young children and other at risk individuals out of the room and away from hot surfaces.

 **AVERTISSEMENT**

Les jeunes enfants devraient être surveillés étroitement lorsqu'ils se trouvent dans la même pièce que l'appareil. Les tout petits, les jeunes enfants ou les adultes peuvent subir des brûlures s'ils viennent en contact avec la surface chaude. Il est recommandé d'installer une barrière physique si des personnes à risques habitent la maison. Pour empêcher l'accès à un foyer ou à un poêle, installez une barrière de sécurité; cette mesure empêchera les tout petits, les jeunes enfants et toute autre personne à risque d'avoir accès à la pièce et aux surfaces chaudes.

Children and adults should be alerted to the hazards of high surface temperature and should stay away to avoid burns or clothing ignition.

Les enfants et les adultes devraient être informés des dangers que posent les températures de surface élevées et se tenir à distance afin d'éviter des brûlures ou que leurs vêtements ne s'enflamment.

DO NOT ATTEMPT TO ALTER OR MODIFY THE CONSTRUCTION OF THE APPLIANCE OR ITS COMPONENTS. ANY MODIFICATION OR ALTERATION MAY VOID THE WARRANTY, CERTIFICATION AND LISTINGS OF THIS UNIT.



We recommend that our gas hearth products be installed and serviced by professionals who are certified in the U.S. by the National Fireplace Institute® (NFI) as NFI Gas Specialists.

⚠ WARNING
Improper installation, adjustment, alteration, service or maintenance can cause injury or property damage. Refer to this manual. For assistance or additional information consult a qualified installer, service agency or the gas supplier.

⚠ WARNING
Failure to comply with these installation instructions will result in an improperly installed and operating appliance, voiding its warranty. Any change to this appliance and/or its operating controls is dangerous.

⚠ WARNING
Clothing or other flammable material should not be placed on or near the appliance.

⚠ AVERTISSEMENT
On ne devrait pas placer de vêtements ni d'autres matières inflammables sur l'appareil ni à proximité.

⚠ WARNING
Any safety screen or guard removed for servicing the appliance must be replaced prior to operating the appliance.

⚠ AVERTISSEMENT
Tout écran ou protecteur retiré pour permettre l'entretien de l'appareil doit être remis en place avant de mettre l'appareil en marche.

⚠ WARNING
Improper installation or use of this appliance can cause serious injury or death from fire, burns, explosion or carbon monoxide poisoning.

NOTE: Installation and repair should be done by a qualified service person. The appliance should be inspected before use and at least annually by a professional service person. More frequent cleaning may be required due to excessive lint from carpeting, bedding material, etcetera. It is imperative that control compartments, burners and circulating air passageways of the appliance be kept clean.

Remarque : L'installation et la réparation devrait être confiées à un technicien qualifié. L'appareil devrait faire l'objet d'une inspection par un technicien professionnel avant d'être utilisé et au moins une fois l'an par la suite. Des nettoyages plus fréquents peuvent être nécessaires si les tapis, la literie, et cetera produisent une quantité importante de poussière. Il est essentiel que les compartiments abritant les commandes, les brûleurs et les conduits de circulation d'air de l'appareil soient tenus propres.

Do not use these appliances if any part has been under water. Immediately call a qualified, professional service technician to inspect the appliance and to replace any parts of the control system and any gas control which have been under water.

Ne pas utiliser cet appareil s'il a été plongé, même partiellement, dans l'eau. Appeler un technicien qualifié pour inspecter l'appareil et remplacer toute partie du système de commande et toute commande qui a été plongée dans l'eau.

Only trim kit(s) supplied by the manufacturer shall be used in the installation of this appliance.

Seules les trousse de garniture fournies par le fabricant doivent être utilisées pour l'installation de cet appareil.

These appliances comply with National Safety Standards and are tested and listed by PFS (Report No. F14-107) to ANSI Z21.88 (in Canada, CSA-2.33), and CAN/CGA-2.17-M91 (CSA P4.1) in both USA and Canada, as a vented gas fireplace.

These appliances are listed by Intertek for installation in bedrooms, aftermarket mobile homes, and manufactured homes.

Misc. Codes/Standards

Installation must conform to local codes or, in the absence of local codes, with the *National Fuel Gas Code, ANSI Z223.1/NFPA 54 - latest edition* (in Canada, the current CAN/CGA-B149.1 installation code).

The appliance, when installed, must be electrically grounded and wired in accordance with local codes or, in the absence of local codes, with the *National Electrical Code, ANSI/NFPA 70 - latest edition*, or the *Canadian Electrical Code, CSA C22.1 - latest edition*.

Provide adequate clearances around air openings and adequate accessibility clearance for service and proper operation. Never obstruct the front or back openings of the appliance.

These appliances are designed to operate on natural or propane gas only (if field-converted to propane). The use of other fuels or combination of fuels will degrade the performance of this system and may be dangerous.

The system is switchable between standing and intermittent pilot modes. External electrical power is required to operate these units.

These models come standard with a remotely modulated gas valve. The included transmitter remotely controls flame appearance and heat output (manual gas valve adjustment is not possible).

Inputs and Efficiencies

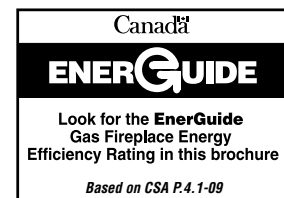
Appliance BTU inputs are listed in **Table 1A**. Appliance efficiencies are listed in **Table 1B**.

| INPUTS | |
|--|-------------------------|
| Gas Type | Inputs |
| Natural Gas | 40,000 to 60,000 BTU/hr |
| Liquid Propane (field-converted to LP) | 43,500 to 56,000 BTU/hr |

Table 1A

| EFFICIENCIES | | |
|--------------|------|-----------|
| Gas Type | AFUE | EnerGuide |
| Natural Gas | 68% | 62% |

Table 1B



Gas Supply Pressure Requirements

Inlet and manifold gas supply pressure requirements for these appliances are listed in **Tables 2 and 3**.

| Inlet Gas Supply Pressure (all models) | | |
|--|------------------------|------------------------|
| Fuel # | Minimum | Maximum |
| Natural Gas | 5.0" WC (1.24 kPa) | 10.5" WC (2.61 kPa) |
| Liquid Propane* | 11.0" WC (2.74 kPa) | 13.0" WC (3.23 kPa) |

Table 2 *Available as field conversion only.

| Manifold Gas Supply Pressure (all models) | | |
|---|----------------------------|-----------------------------|
| Fuel # | Low | High |
| Natural Gas | (Lo) 1.6" WC (0.4 kPa) | (Hi) 3.5" WC (0.87 kPa) |
| Liquid Propane* | (Lo) 6.3" WC (1.57 kPa) | (Hi) 10.0" WC (2.49 kPa) |

Table 3 *Available as field conversion only.

Gas Supply Pressure Requirements

(continued from previous page)

Test gauge connections are provided on the front of the electronic gas control valve (identified **IN** for the inlet and **OUT** for the manifold side).

The control valves have a 3/8" (10 mm) NPT thread inlet and outlet side of the valve. Refer to **Figure 1**.

Propane tanks are at pressures that will cause damage to valve components. Verify that the tanks have step-down regulators to reduce the pressure to safe levels.

These appliances must not be connected to a chimney or flue serving a separate solid fuel burning appliance.

The appliance and its appliance main gas valve must be disconnected from the gas supply piping system during any pressure testing of that system at test pressures **in excess of** 1/2 psi (3.5 kPa).

The appliance must be isolated from the gas supply piping system by closing its equipment shutoff valve during any pressure testing of the gas supply piping system at test pressures **equal to or less than** 1/2 psi (3.5 kPa).

PURGE CYCLE - This is a power-vented fireplace that requires household electrical power to operate. When the fireplace is turned OFF, the exhaust blower will continue to operate for up to two minutes, to purge exhaust gases from the venting system. This system will not operate during a power outage.

Orifice Sizes

Sea Level To High Altitude (All Models)

These appliances are tested and approved for installation at elevations of 0–4500 feet (0–1372 meters) above sea level using the standard burner orifice sizes listed in **Table 4**. For elevations above 4500 feet, contact your gas supplier or qualified service technician.

Deration

At higher elevations, the amount of BTU fuel value delivered must be reduced by either:

- using gas that has been derated by the gas company; or
- changing the burner orifice to a smaller size as regulated by the local authorities having jurisdiction and by the (USA) National Fuel Gas Code NFPA 54/ANSI Z223.1 - latest edition or, in Canada, the CAN/CGA-B149.1 codes - latest edition.

Install the appliance according to the regulations of the local authorities having jurisdiction and, in the USA, the National Fuel Gas Code NFPA 54 / ANSI Z223.1 - latest edition or, in Canada, the CAN/CGA-B149.1- latest edition.

NOTE: Flame appearance will diminish 4% per 1,000 feet.

Gas Valve Diagram

The SIT Proflame valve is illustrated in **Figure 1**.

| Burner Orifice Sizes (USA and Canada) Elevation 0-4500 ft (0-1372 m) | |
|--|-------------------------------------|
| Natural Gas Drill size (inches) | Propane Drill size (inches) |
| #32 (0.116") ① [Cat. No. H8002] | #52 (0.0635") ② [Cat. No. H8003] |

① Standard size installed at factory.
② Standard size in LP conversion kit.

Table 4

COMMONWEALTH OF MASSACHUSETTS REQUIREMENTS

These appliances are approved for installation in the US state of Massachusetts if the following additional requirements are met:

- Install this appliance in accordance with Massachusetts Rules and Regulations 248 C.M.R. Sections 4.00 through 8.00.
- Installation and repair must be done by a plumber or gas fitter licensed in the Commonwealth of Massachusetts.
- The flexible gas line connector used shall not exceed 36 inches (92 centimeters) in length..
- The individual manual shut-off must be a T-handle type valve.

Massachusetts Horizontal Vent Requirements

In the Commonwealth of Massachusetts, horizontal terminations installed less than seven (7) feet above the finished grade must comply with the following additional requirements:

- A hard-wired carbon monoxide detector with an alarm and battery back-up must be installed on the floor level where the gas fireplace is installed. The carbon monoxide detector must comply with NFPA 720, be ANSI/UL 2034 listed and be ISA certified.
- A metal or plastic identification plate must be permanently mounted to the exterior of the building at a minimum height of eight (8) feet above grade and be directly in line with the horizontal termination. The sign must read, in print size no less than one-half (1/2) inch in size, **GAS VENT DIRECTLY BELOW. KEEP CLEAR OF ALL OBSTRUCTIONS.**

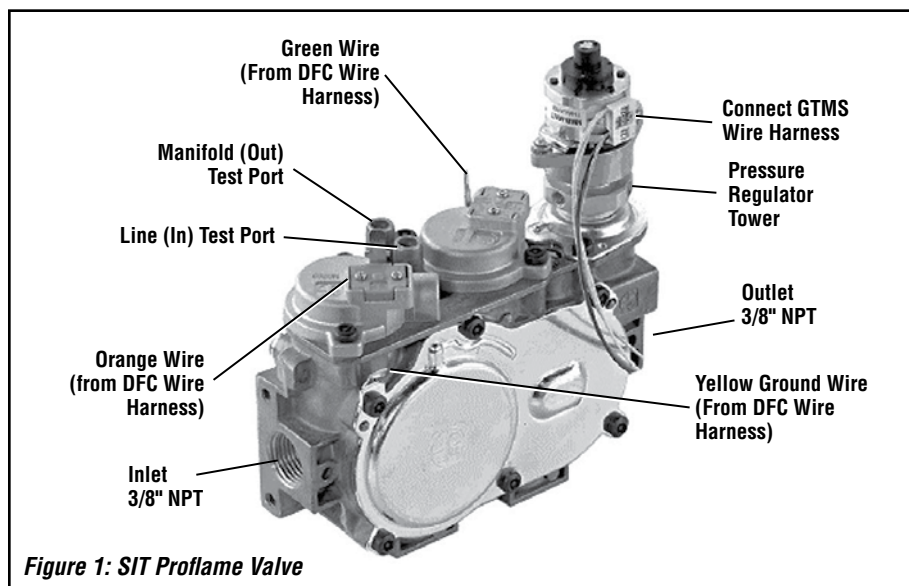


Figure 1: SIT Proflame Valve

COLD CLIMATE INSULATION

For cold climate installations, seal all cracks around the appliance with noncombustible material and wherever cold air could enter the room. If the floor is above ground level, it is especially important to insulate outside chase cavity between studs and under the floor on which the appliance rests. Gas line holes and other openings should be caulked or stuffed with unfaced fiberglass insulation.

If the fireplace is being installed on a cement slab in cold climates, a sheet of plywood or other raised platform can be placed underneath to prevent cold transfer to the fireplace and into the room. It also helps to sheetrock inside surfaces and tape for maximum air tightness and caulk firestops.

MANUFACTURED HOME REQUIREMENTS

This appliance may be installed in an aftermarket, permanently located, manufactured home and must be installed in accordance with the manufacturer's instructions.

Cet appareil peut être installé comme du matériel d'origine dans une maison préfabriquée (É.U. seulement) ou mobile et doit être installé selon les instructions du fabricant.

This appliance is only for use with the type of gas indicated on the rating plate. This appliance is not convertible for use with other gases, unless a certified kit is used.

Cet appareil doit être utilisé uniquement avec le type de gaz indiqué sur la plaque signalétique. Cet appareil ne peut être converti à d'autres gaz, sauf si une trousse de conversion est utilisée.

CAUTION: Ensure that the cross members are not cut or weakened during installation. The structural integrity of the manufactured home floor, wall, and ceiling / roof must be maintained.

CAUTION: This appliance must be grounded to the chassis of the manufactured home in accordance with local codes or in the absence of local codes, with the National Electrical Code ANSI / NFPA 70 - latest edition or the Canadian Electrical Code CSA C22.1 - latest edition.

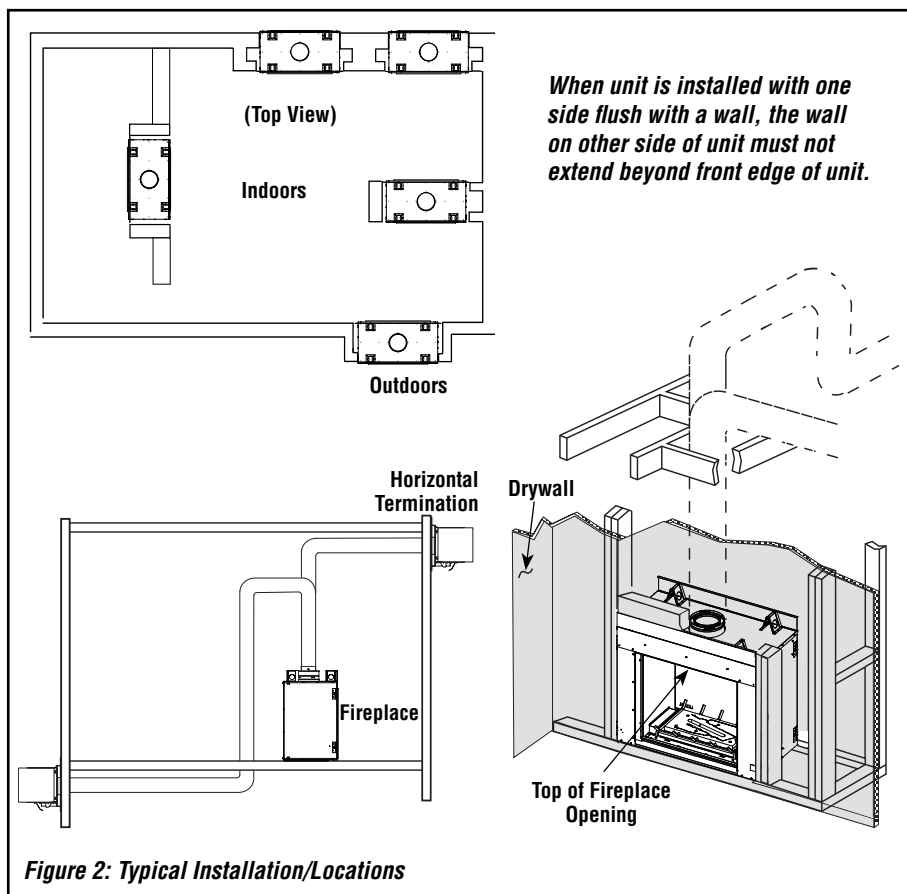


Figure 2: Typical Installation/Locations

LOCATION

In selecting the location, the aesthetic and functional use of the appliance are primary concerns; however, vent system routing to the exterior and access to the fuel supply are also important.

CAUTION: Due to high temperatures, the appliance should be located out of traffic and away from furniture and draperies (Figure 2).

AVERTISSEMENT : En raison des températures élevées, l'appareil devrait être installé dans un endroit où il y a peu de circulation et loin du mobilier et des tentures (Figure 2).

The location also should be free of electrical, plumbing, or other heating/air conditioning ducting.

These direct-vent appliances are uniquely suited for installations requiring a utility shelf positioned above the fireplace. Utility shelves like these are commonly used for locating television sets and decorative plants.

The minimum height from the base of the appliance to the underside of combustible materials used to construct a utility shelf in this fashion is shown in Figure 7 on Page 11.

Be aware that this is a heat-producing appliance. Objects placed above the unit are exposed to elevated temperatures.

Do not insulate the space between the appliance and the area above it.

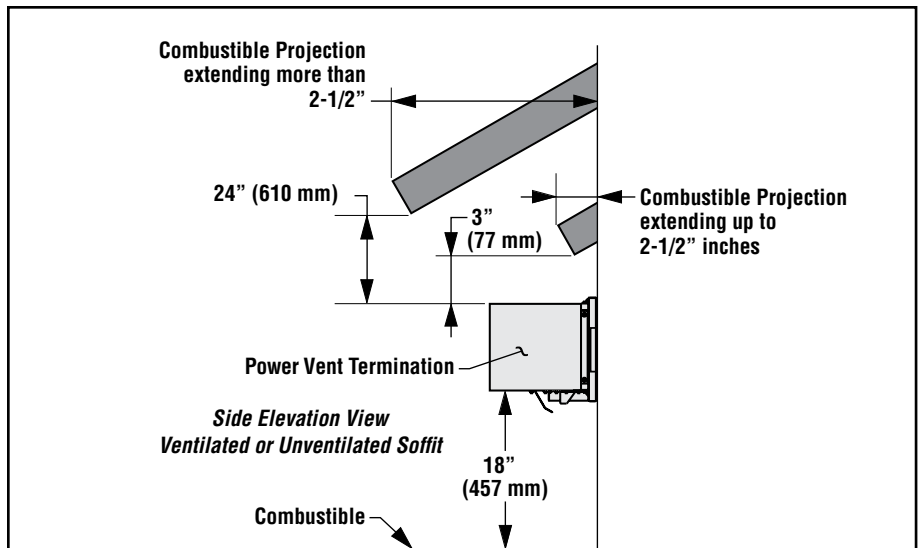
The appliance should be mounted on a fully supported base extending the full width and depth of the unit. The appliance may be located on or near conventional construction materials. However, if installed on combustible materials, (such as carpeting or vinyl tile), a metal or wood barrier covering the entire bottom surface must be used.

VENT TERMINATION CLEARANCES

These instructions should be used as a guideline and do not supersede local codes in any way. Install venting according to local codes, these instructions, the current National Fuel Gas Code (ANSI-Z223.1) in the USA or the current standards of CAN/CGA-B149.1 in Canada. When planning your vent run refer to the table in *Figure 22 on Page 19*.

Horizontal Vent Termination Clearances

The horizontal vent termination must have a minimum of 3" (77 mm) clearance to any overhead combustible projection of 2-1/2" (64 mm) or less (see *Figure 3*). For projections exceeding 2-1/2" (64 mm), see *Figure 3*. For additional vent location restrictions refer to *Figure 4 on Page 9*.



For recess allowances of power vent termination into exterior walls, see *Figure 24 on Page 21*.

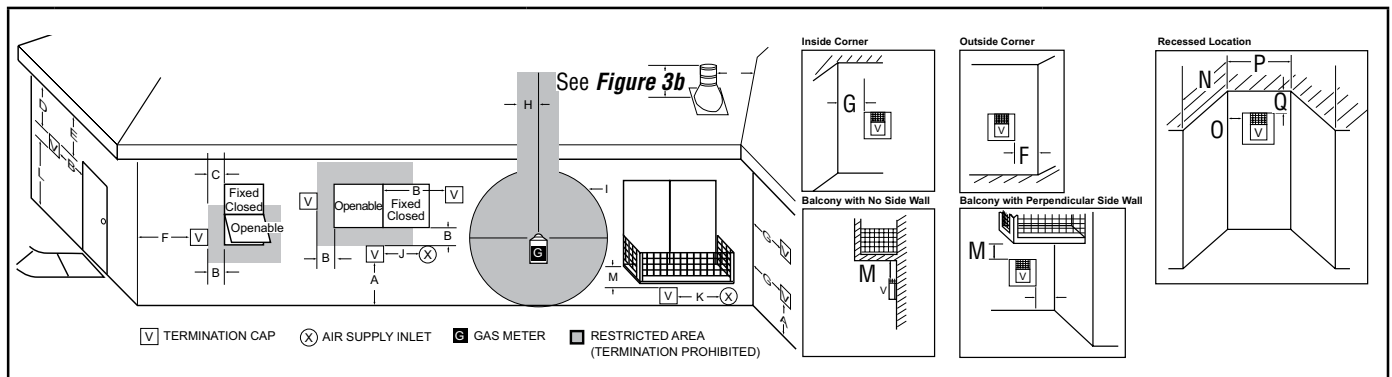
Figure 3: Horizontal Power Vent Termination Clearances to Combustibles

*H = minimum height from roof to lowest discharge opening of vent.

Vent/air intake termination clearances above the high side of an angled roof are listed in the table below.

| Termination Heights for Vents Above Flat or Sloped Roofs (Ref. NFPA 54 / ANSI Z223.1) | | |
|---|-------|---------|
| Roof Pitch | *Feet | *Meters |
| Flat to 6/12 | 1.0 | 0.3 |
| 6/12 to 7/12 | 1.25 | 0.38 |
| 7/12 to 8/12 | 1.5 | 0.46 |
| 8/12 to 9/12 | 2.0 | 0.61 |
| 9/12 to 10/12 | 2.5 | 0.76 |
| 10/12 to 11/12 | 3.25 | 0.99 |
| 11/12 to 12/12 | 4.0 | 1.22 |
| 12/12 to 14/12 | 5.0 | 1.52 |
| 14/12 to 16/12 | 6.0 | 1.83 |
| 16/12 to 18/12 | 7.0 | 2.13 |
| 18/12 to 20/12 | 7.5 | 2.29 |
| 20/12 to 21/12 | 8.0 | 2.44 |

Figure 3b: Vertical Vent Termination Clearances



| | U.S. Installation ** | Canadian Installation * | |
|----------|--|--|--|
| A | Clearance above grade, veranda, porch, deck, or balcony | 12" (300 mm) ** | 12" (300 mm) * |
| B | Clearance to window or door that may be opened | 6" (150 mm) for fireplaces < 10,000 Btu/h (3 kW), 9" (230 mm) for fireplaces > 10,000 Btu/h (3 kW), and < 50,000 Btu/h (15 kW), 12" (300 mm) for fireplaces > 50,000 Btu/h (15 kW) ** | 6" (150 mm) for fireplaces < 10,000 Btu/h (3 kW), 12" (300 mm) for fireplaces > 10,000 Btu/h (3 kW) |
| C | Clearance to permanently closed window | 9" (229 mm) recommended to prevent window condensation | 12" (305 mm) recommended to prevent window condensation |
| D | Vertical clearance to ventilated soffit located above the termination within a horizontal distance of 18" (458 mm) | 18" (458 mm) | 18" (458 mm) |
| E | Clearance to unventilated soffit | 12" (305 mm) | 12" (305 mm) |
| F | Clearance to outside corner | 5" (127 mm) minimum | 5" (127 mm) minimum |
| G | Clearance to inside corner | 6" (152 mm) minimum | 6" (152 mm) minimum |
| H | Clearance to each inside of center line extended above meter / regulator assembly | 36" (910 mm) within a height of 15 ft above the meter / regulator assembly ** | 36" (910 mm) within a height of 15 ft above the meter / regulator assembly * |
| I | Clearance to service regulator vent outlet | 36" (910 mm)** | 36" (910 mm)* |
| J | Clearance to nonmechanical air supply inlet to building or the combustion air inlet to any other fireplace | 6" (150 mm) for fireplaces < 10,000 Btu/h (3 kW), 9" (230 mm) for fireplaces > 10,000 Btu/h (3 kW) and < 50,000 Btu/h (15 kW), 12" (300 mm) for fireplaces > 50,000 Btu/h (15 kW)** | 6" (150 mm) for fireplaces < 10,000 Btu/h (3 kW), 12" (300 mm) for fireplaces > 10,000 Btu/h (3 kW) |
| K | Clearance to a mechanical air supply inlet | 36" (910 mm) above if within 10 ft (3 m) horizontally ** | 72" (1830 mm) * |
| L | Clearance above paved sidewalk or paved driveway located on public property | 84" (2130 mm) ‡ | 84" (2130 mm) ‡ |
| M | Clearance under veranda, porch, deck or balcony | 12" (300 mm) *‡ | 12" (300 mm) *‡ |
| N | Depth of alcove (maximum) | 72" (1830 mm) ** | 72" (1830 mm) * |
| O | Clearance to termination (alcove) | 6" (15.2 mm) ** | 6" (15.2 mm) * |
| P | Width of alcove (minimum) | 36" (910 mm) ** | 36" (910 mm) * |
| Q | Clearance to combustible above (alcove) | 18" (457 mm) ** | 18" (457 mm) * |

* In accordance with the current CAN/CGA-B149.1 National Gas And Propane Installation Code

** In accordance with the current ANSI Z223.1/NFPA 54 National Fuel Gas Codes

‡ A vent shall not terminate directly above a sidewalk or paved driveway which is located between two single family dwellings and serves both dwellings

*‡ Only permitted if veranda, porch, deck, or balcony is fully-open on a minimum two sides beneath the floor

Figure 4—Horizontal vent termination clearances for buildings with combustible and non-combustible exteriors

HEARTH EXTENSIONS (OPTIONAL)

NOTE: *Hearth extensions are not required with this appliance.*

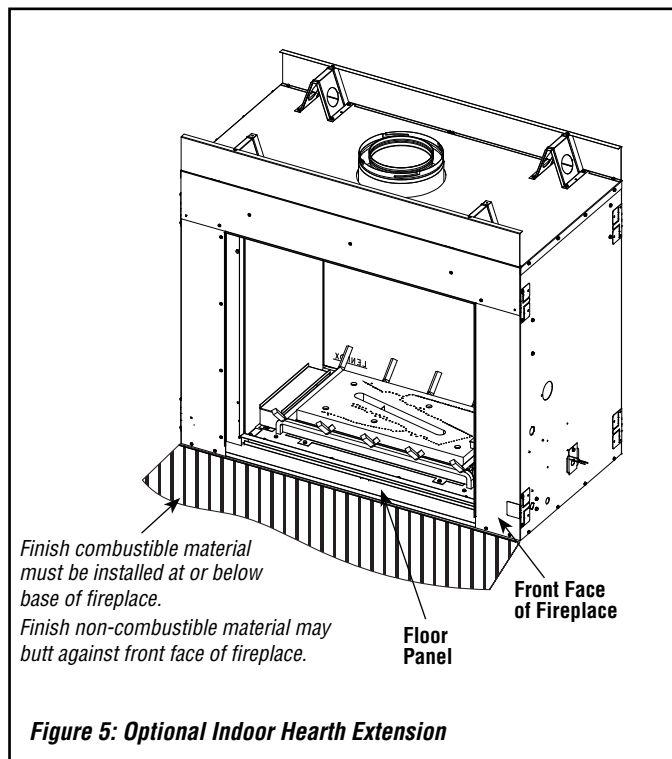
Optional Indoor Hearth Extension

Combustible indoor hearth material may only be installed **at or below** the base of the fireplace (see **Figures 5 and 6**).

Non-combustible indoor hearth material may be installed above the base of the fireplace and may butt against the front face of the fireplace (see **Figures 5 and 6**).

Also note the following:

- Combustible material may project beyond the sides of the fireplace opening, as long as it is within the shaded area shown in **Figure 9 on Page 11**.
- Vertical installation clearances to combustible mantels vary according to the depth of the mantel (see **Figure 8 on Page 11**).
- Non-combustible mantels may be installed at any height above the appliance opening.

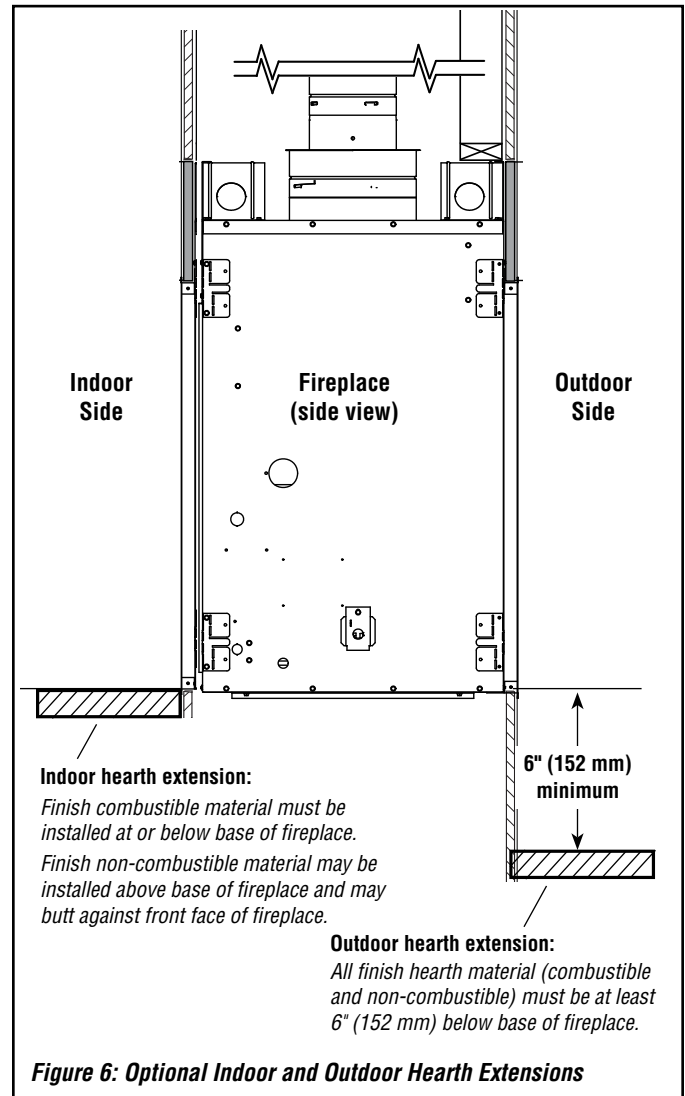


Optional Outdoor Hearth Extension

All outdoor hearth material (combustible and non-combustible) must be installed a **minimum of 6" (152 mm)** below the base of the fireplace (see **Figure 6**).

Also note the following:

- For vertical installation clearances to combustible outdoor mantels and overhangs, see **Page 32** and the instructions provided in the Outdoor Installation Kit (required for all outdoor installations; see **Page 34**).
- Non-combustible outdoor mantels and overhangs may be installed at any height above the appliance opening.



MINIMUM CLEARANCES TO COMBUSTIBLES

Appliance and Vent Clearances

The appliance is approved with zero clearance to combustible materials on both sides (as detailed in **Table 5**), with the following exceptions:

- When the unit is installed with one side flush with a wall, the wall on the other side of the unit must not extend beyond the front edge of the unit.
- In addition, when the unit is recessed, the side walls surrounding the unit must not extend beyond the front edge of the unit (see **Figure 2** on **Page 7**).

| MINIMUM CLEARANCES TO COMBUSTIBLES ① | |
|--------------------------------------|--|
| Back / Sides | 0" (0 mm) Spacers ② |
| Top Spacers | 0" (0 mm) |
| Floor | 0" (0 mm) |
| Unit Bottom to Ceiling | 72" (1829 mm) |
| Vertical Vent Pipe | 1" (26 mm) |
| Horizontal Vent Pipe | Top: 3" (77 mm) Sides: 1" (26 mm) Bottom: 1" (26 mm) |
| SERVICE CLEARANCES | |
| Front | 3 ft (0.9 m) |

Table 5

- ① 3" (77 mm) above any horizontal/inclined vent component.
② See **Step 1 ("FRAMING")** on **Page 12** for clearance requirements to the nailing flanges on each side of the unit and any adjacent screw heads.

The appliance should be mounted on a fully supported base extending the full width and depth of the unit. The appliance may be located on or near conventional construction materials; however, if installed on combustible materials, such as carpeting, vinyl tile, etc., a metal or wood barrier covering the entire bottom surface must be used.

Min. Height of Combustible Enclosure

To provide for the lowest possible combustible enclosure (or shelf) surface, the venting should be routed in a way to minimize obstructions to the space above the appliance. Do not insulate the space between the appliance and the area above it (see **Figure 7**).

Wall Finishes / Surrounds / Mantels

NOTE: Combustible wall finish materials and/or surround materials must not be allowed to encroach the area defined by the appliance front faces (black sheet metal). Never allow combustible materials to be positioned in front of or overlapping the appliance face. See **Pages 31 and 32**.

Non-combustible materials, such as surrounds and other appliance trim, may be installed on the appliance front face only if they do NOT cover any portion of the removable glass panel.

Vertical installation clearances to combustible mantels vary according to the depth of the mantel. See **Figure 8**. Mantels constructed of non-combustible materials may be installed at any height above the appliance opening.

NOTE: To avoid heat-related finish damage, we recommend the use of high-temperature paint (rated 175°F or higher) on the underside of the mantel.

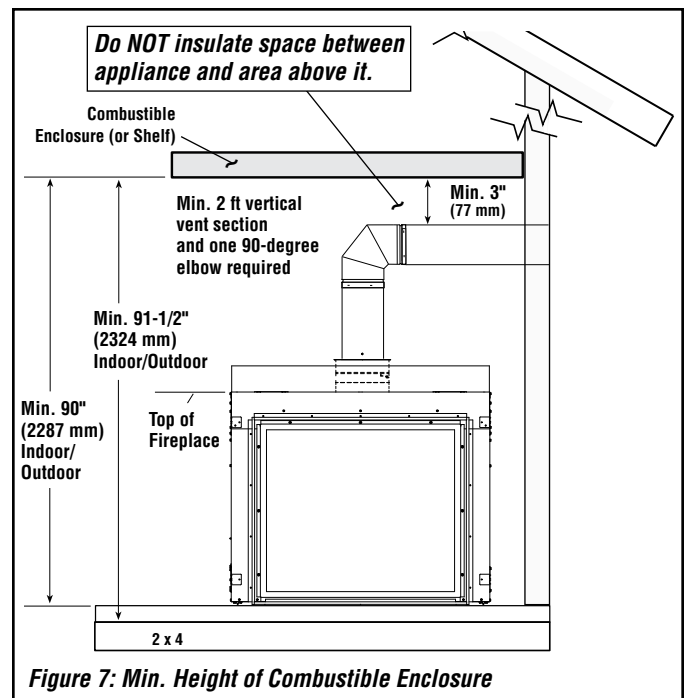


Figure 7: Min. Height of Combustible Enclosure

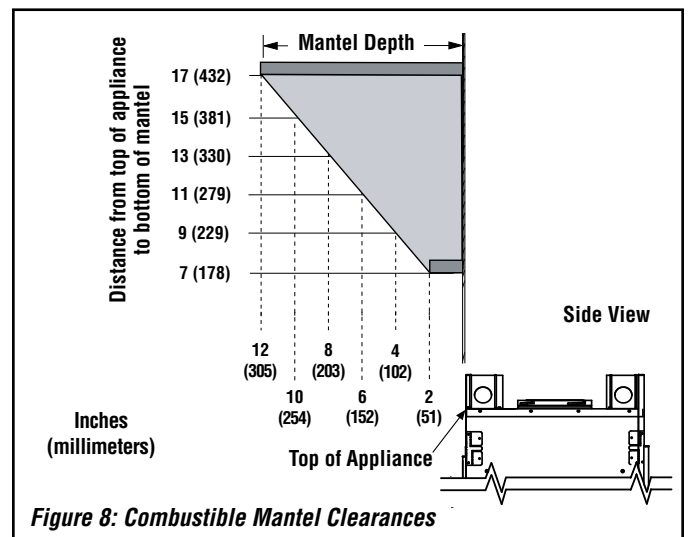


Figure 8: Combustible Mantel Clearances

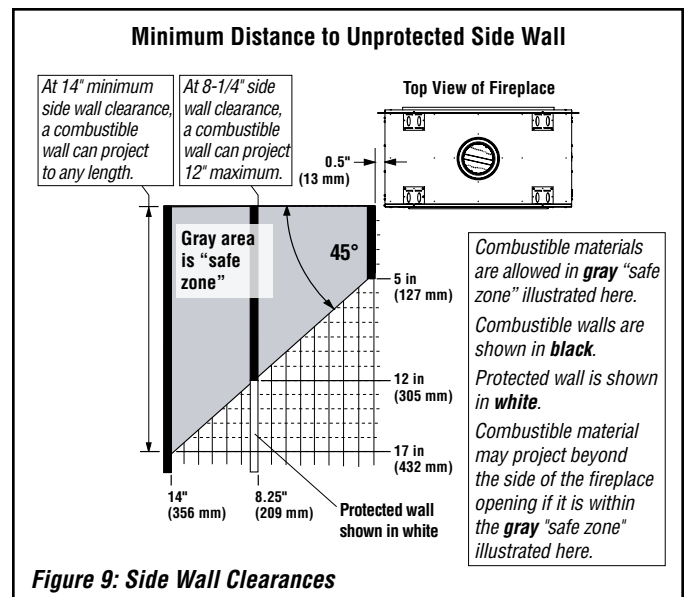


Figure 9: Side Wall Clearances

PRE-INSTALLATION STEPS

The appliance is shipped with all gas controls and components installed and pre-wired.

1. Remove the shipping carton, exposing the front glass door on the control side.

Barrier (see Notice, Page 34)

This fireplace comes with a barrier to reduce the likelihood of burns from touching hot glass. If the barrier is damaged, the fireplace should be turned off immediately and the fireplace must not be operated until a new, approved factory barrier for this unit is installed.

To remove barrier follow these steps.

- a. Lift barrier up by the frame at the top.
- b. Remove lower filler piece by pulling down off of the barrier.
- c. Lower barrier and push barrier to left to release right side.
- d. Pull the right side out of fireplace.
- e. Remove barrier.

2. Using a Phillips screwdriver, unfasten two (2) screws located at the top of the glass frame (see **Figure 50 on Page 31**). Tilt the top of the glass frame away from the unit. Lift it carefully off the bottom door track and set the door aside, protecting it from inadvertent damage.

WARNING

Failure to position the parts in accordance with these diagrams or failure to use only parts specifically approved with this appliance may result in property damage or personal injury.

AVERTISSEMENT

Risque de dommages ou de blessures si les pièces ne sont pas installées conformément à ces schémas et ou si des pièces autres que celles spécifiquement approuvées avec cet appareil sont utilisées.

TYPICAL INSTALLATION SEQUENCE

The typical sequence of installation is outlined below.

NOTE: Each installation is unique and may result in variations to the steps described herein.

See the page numbers referenced in the following steps for detailed procedures.

- Step 1. FRAMING (Page 12):** Construct appliance framing. Position appliance within framing, and secure with nailing brackets.
 - Step 2. ROUTE GAS LINE (Page 15):** Route gas supply line to right side (when viewed from control side of appliance).
 - Step 3. INSTALL VENT SYSTEM (Page 15):** install vent system and exterior termination.
 - Step 4. FIELD WIRING (Page 22):** Connect 120 Vac electrical power to the appliance receptacle.
 - Step 5. REMOVE GLASS DOOR ASSEMBLY (Page 24).**
 - Step 6. CONNECT GAS LINE (Page 25):** Make connection to gas supply.
 - Step 7. INSTALL FIREBOX LINER PANELS (Page 15).**
 - Step 8. VERIFY APPLIANCE OPERATION (Page 25).**
 - Step 9. INSTALL VOLCANIC STONE, GLOWING EMBERS, AND LOGS (Page 26).**
 - Step 10. INSTALL GLASS DOORS, MESH PULL SCREENS, AND MODESTY PANEL (Page 29).**
 - Step 11. BURNER ADJUSTMENTS (Page 30):** Adjust burner air shutter to ensure proper flame appearance.
- FINISHING REQUIREMENTS (Page 31).**
- Step 12. ATTACH SAFETY-IN-OPERATION WARNINGS (Page 33).**

DETAILED INSTALLATION STEPS

Step 1. FRAMING

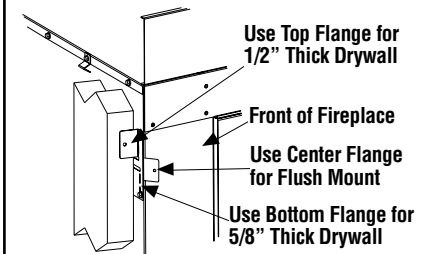
Frame these appliances as illustrated on **Page 13**. All framing details must allow for a minimum clearance to combustible framing members as shown on **Page 11**.

If the appliance is to be elevated above floor level, a solid continuous platform must be constructed below the appliance.

Headers may be in direct contact with the appliance top spacers, but must not be supported by them or notched to fit around them. All construction above the appliance must be self-supporting; **DO NOT** use the appliance for structural support.

Secure the fireplace to the side framing members using the unit's nailing flanges — one top and bottom on each side of the fireplace front (see **Figure 10**). Use 8d nails or their equivalent.

Securing Unit to Framing by Nailing Flanges



Left Side Front Corner of Fireplace Shown
(Same requirements for right side)

NOTE: The nailing flanges, combustible members and screw heads in areas directly adjacent to the nailing flanges are EXEMPT from the 1/2" clearance to combustible requirements for the firebox outer wrapper. Combustible framing may be in direct contact with the nailing flanges and may be located closer than 1/2 inch from screw heads and the firebox wrapper in areas adjacent to the nailing flanges. Frame the opening to the exact dimensions specified in the framing details of the **Installation Instructions**.

Figure 10

FRAMING DIMENSIONS: See-Through Power Vent

Framing should be constructions of 2x4 or larger lumber.

| | A | B ① | C ② | D | E ④ |
|------|---------|---------|--------|---------|-------|
| in | 52-1/16 | 47-5/16 | 99-1/2 | 26-5/16 | 6 |
| (mm) | (1322) | (1202) | (2527) | (668) | (152) |

- ① Dimension **B** is from fireplace base to top framing member.
- ② Dimension **C** is from fireplace base to centerline of horizontal vent pipe.
 Minimum vent framing: Adaptor plus 4 ft vertical vent and one 90-degree elbow.
 For other venting configurations, see **Step 3, INSTALL VENTING SYSTEM.**
- ③ 1/2" board for platform (shown in gray).
- ④ Dimension **E** is a 6" clearance from fireplace base to outdoor surface (e.g., deck, patio, lanai) that is required as a moisture barrier (not a combustible clearance) on outdoor side only.

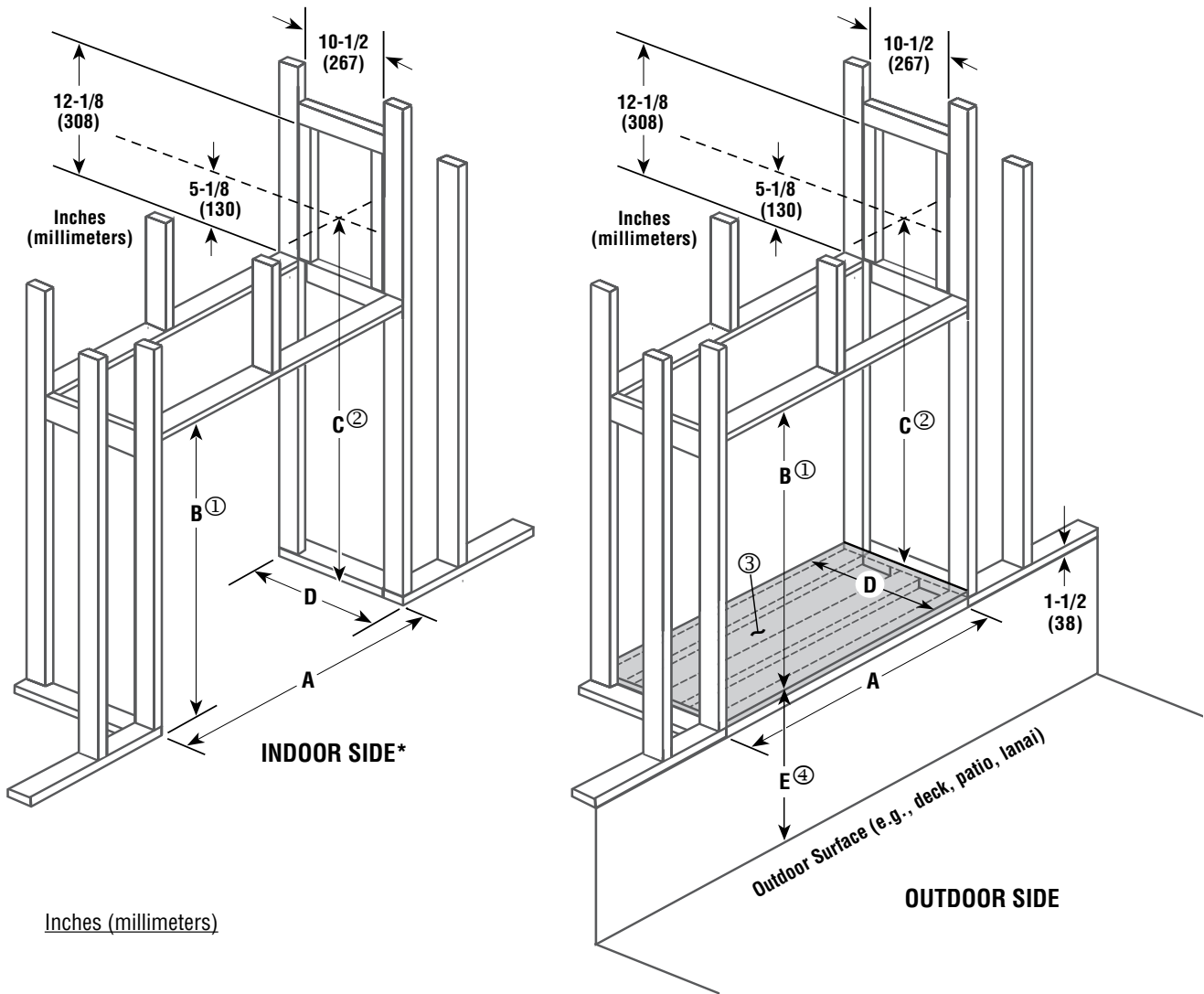
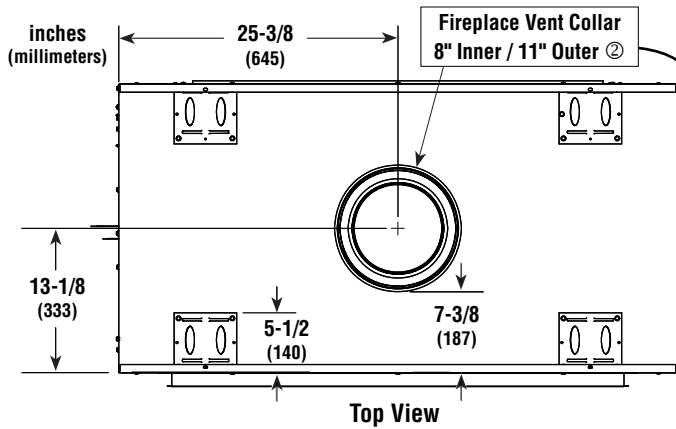
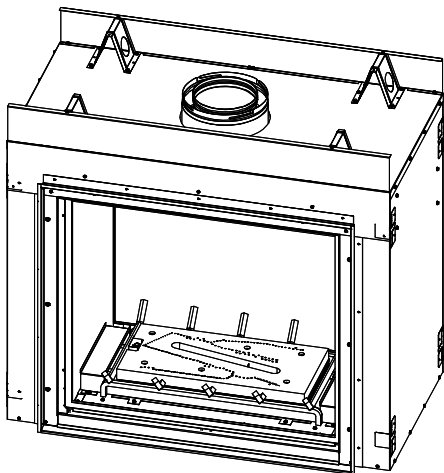


Figure 11

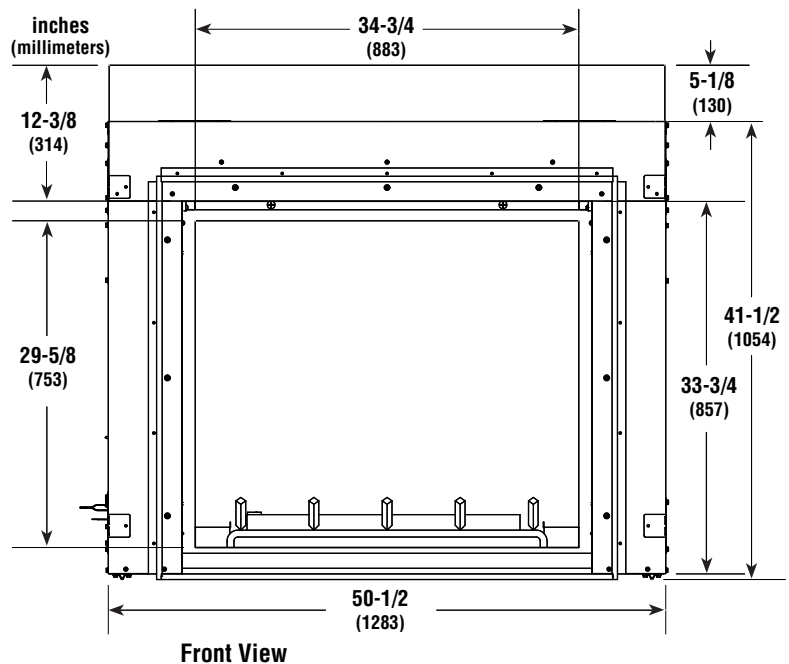
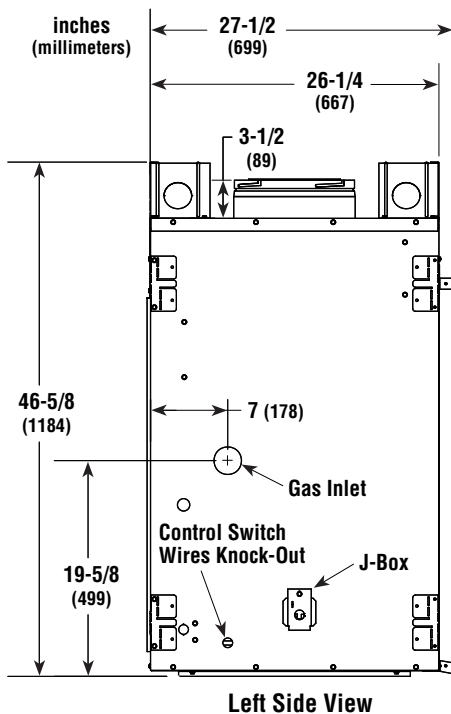
*For indoor/outdoor installations, the control side of the fireplace must be installed on the indoor side.

FIREPLACE SPECIFICATIONS: See-Through Power Vent



| FIREPLACE COLLAR AND VENT SIZES | |
|------------------------------------|-------------------------------|
| Fireplace Vent Collar (Coaxial DV) | 8" Inner / 11" Outer ② |
| Vent Pipe (Coaxial DV) | 4-1/2" Inner / 7-1/2" Outer ② |

② Adaptor/Probe assembly (cat. no. H8313) required to transition from fireplace vent collar to vent pipe.



Fireplace Dimensions
 (shown with Outdoor Kit installed)

Figure 12

NOTE: DIAGRAMS & ILLUSTRATIONS ARE NOT TO SCALE.

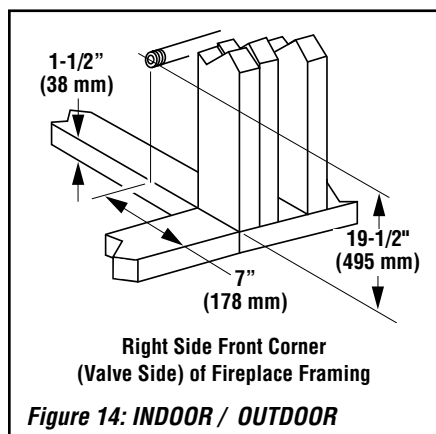
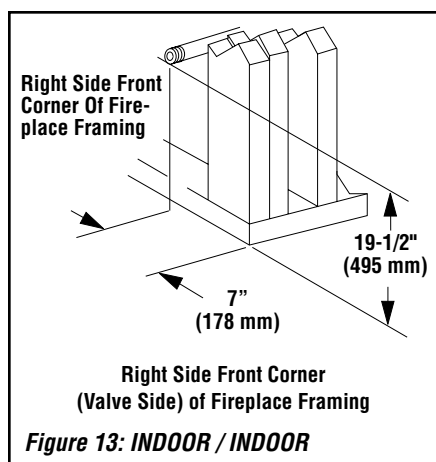
Step 2. ROUTE GAS LINE

▲ NOTICE: For indoor/outdoor installations, the **CONTROL SIDE** of the fireplace must be installed on the **INDOOR** side.

Route a 1/2" (13 mm) gas line along the inside of the right side framing as shown in **Figures 13 and 14**. Gas lines must be routed, constructed and made of materials that are in strict accordance with local codes and regulations.

All appliances are factory-equipped with a flexible gas line connector and 1/2 inch shutoff valve (**see Step 6 on Page 25**).

The incoming gas line should be piped into the valve compartment and connected in one of the two methods as shown in **Figure 35 on Page 25**.



| Schedule 40, Black Iron Pipe Inside Diameter (Inches) | | |
|--|-------------|-------------|
| Schedule 40 Pipe Length (feet) | Natural Gas | Propane Gas |
| 0-10 | 1/2 | 3/8 |
| 10-40 | 1/2 | 1/2 |
| 40-100 | 1/2 | 1/2 |
| 100-150 | 3/4 | 1/2 |
| 150-200 | 3/4 | 1/2 |

Table 6

Proper Sizing of Gas Line

Properly size and route the gas supply line from the supply regulator to the area where the appliance is to be installed per requirements outlined in the National Fuel Gas Code, NFPA 54 - latest edition (USA) or CAN/CGA-B149.1 - latest edition (Canada).

IMPORTANT: It is critical that a licensed installer perform this step strictly per NFPA.

Never use galvanized or plastic pipe. Refer to **Table 6** for proper sizing of the gas supply line, if black iron pipe is being used. Gas lines must be routed, constructed and made of materials that are in strict accordance with local codes and regulations. We recommend that a qualified individual such as a plumber or gas fitter be hired to correctly size and route the gas supply line to the appliance. Installing a gas supply line from the fuel supply to the appliance involves numerous considerations of materials, protection, sizing, locations, controls, pressure, sediment, and more. Certainly no one unfamiliar and unqualified should attempt sizing or installing gas piping.

NOTE:

- All appliances are factory-equipped with a flexible gas line connector and 1/2 inch shutoff valve (**see Figure 35 on Page 25**).
- See **Massachusetts Requirements on Page 6** for additional requirements for installations in the state of Massachusetts in the USA.
- The gas supply line should not be connected to the appliance until **Step 6 (Page 25)**.
- A pipe joint compound rated for gas should be used on the threaded joints. **Ensure propane resistant compounds are used in propane applications.** Be very careful that the pipe compound does not get inside the pipe.
- It is recommended to install a sediment trap in the supply line as close as possible to the appliance (**see Figure 35 on Page 25**). Appliances using Propane should have a sediment trap at the base of the tank.
- Check with local building official for local code requirements (i.e. are below grade penetrations of the gas line allowed?, etc).

IMPORTANT NOTE REGARDING PROPANE INSTALLATIONS

Using a propane tank smaller than 100 lbs may create pressure loss and insufficient fuel delivery, which can cause sooting, severe delayed ignition, or other malfunctions (ref. NPFA 58).

Any damage as a result of insufficient tank size or other improper installation is NOT covered under the limited warranty.

Step 3. INSTALL VENT SYSTEM

General Information

These instructions should be used as a guide-line and do not supersede local codes in any way. Install venting according to local codes, these instructions, the current National Fuel Gas Code (ANSI-Z223.1) in the USA or the current standards of CAN/CGA-B149.1 and -B149.2 in Canada.

These fireplaces are designed, tested and listed for operation and installation with, and only with, **Secure Vent® (SV4.5) Direct-Vent System Components**, manufactured by **Security Chimneys International**. These approved vent system components are labeled for identification. **DO NOT** use any other manufacturer's vent components with these appliances.

Ensure clearances are in accordance with local installation codes and the requirements of the gas supplier.

Dégagement conforme aux codes d'installation locaux et aux exigences du fournisseur gaz.

Use only approved venting components. See **Approved Vent Components on Page 4**.

These fireplaces must be vented directly to the outside.

The vent system may not service multiple appliances, and must never be connected to a flue serving a solid fuel burning appliance. The vent pipe is tested to be run inside an enclosed wall (such as a chase). There is no requirement for inspection openings in the enclosing wall at any of the joints in the vent pipe.

Venting System

With the appliance secured in framing, determine vent routing and identify the exterior termination location. The following sections describe horizontal (exterior wall) vent applications. **A list of approved venting components is shown on Page 34.**

Vent Restrictor

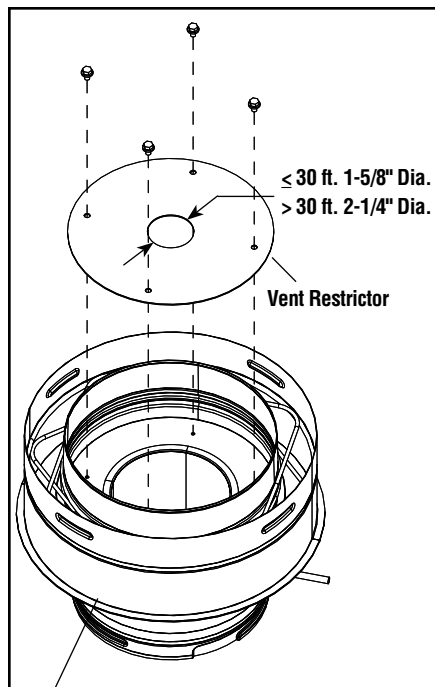
The adaptor/probe assembly for this appliance has a pre-installed vent restrictor with a 1-3/4" hole in the center (see **Figure 15**). This pre-installed vent restrictor is **not** for use with any venting configuration for this fireplace model and must be replaced with one of the two provided vent restrictors, as described below.

Vent Restrictor Size Guidelines

- For venting systems **30 ft in length or less**, replace the factory installed vent restrictor with the provided vent restrictor with a **1-5/8" dia. hole**.
- For venting systems **greater than 30 ft in length**, replace the factory installed vent restrictor with the provided vent restrictor with a **2-1/4" dia. hole**.

Vent Restrictor Installation Instructions

Install the appropriate vent restrictor (as described above) into the adaptor/probe assembly per the instructions in **Figure 15**.



Adaptor/Probe Assembly (shown upside-down)

Vent Restrictor Installation Instructions

1. Turn the adaptor/probe assembly upside-down, as shown.
2. Remove the four screws securing the vent restrictor in place. Lift out the vent restrictor.
3. Install the appropriate vent restrictor, using the four screws previously removed. See "**Vent Restrictor Size Guidelines**," above.

Figure 15: Vent Restrictor

Power Vent Components

Locate the fireplace as per the instructions in this manual. Make the following modifications to add the components used with the Power Vent Kits. This kit can only be used in conjunction with "Direct-Vent" series electronic fireplaces. This installation must conform with local codes or, in the absence of local codes, with the Natural Fuel Gas Code, ANSI Z223.1/NFPA 54, or the Natural Gas and Propane Installation Code, CAN/CGA B149.1.

CAUTION: This Power Vent Kit cannot be used with Millivolt appliances. Use kit only with the Electronically controlled fireplaces listed for its use as shown in this document.

POWER VENT COMPONENTS

| Item No. | Description | Qty. |
|----------|-----------------------------------|------|
| 1 | Vacuum Hose | 1 |
| 2 | Termination Assembly | 1 |
| 3 | SV Termination Adaptor (SV4.5RCH) | 1 |
| 4 | Strain Relief - 3/8" | 2 |
| 5 | Firestop Assembly (Horizontal) | 1 |
| 6 | Hose Clamp - 11/32" | 2 |
| 7 | Snap Bushing | 1 |
| 8 | Ring Terminal - #10 | 2 |
| 9 | Insulated 1/4" Male Terminal | 4 |

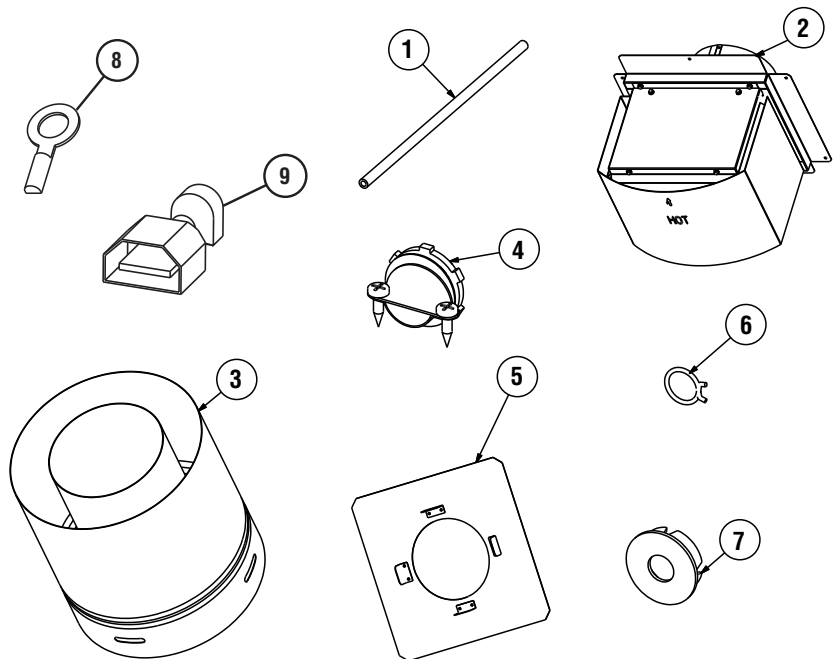


Figure 16: Power Vent Kit Components

NOTE: DIAGRAMS & ILLUSTRATIONS ARE NOT TO SCALE.

VENT SECTION LENGTHS

Determine the number of straight vent sections required. 4-1/2" (114 mm), 10-1/2" (267 mm), 22-1/2" (572 mm), 34-1/2" (876 mm) and 46-1/2" (1181 mm) net section lengths are available. Refer to the Vent Section Length Chart.

Vertical (Offset) Installation

Analyze the vent routing and determine the quantities of vent sections and number of elbows required. Refer to **Figures 21 and 22 on Page 19** showing vent run requirements to aid in selecting the type of vertical installation desired. Vent sections are available in net lengths of 4-1/2" (114 mm), 10-1/2" (267 mm), 22-1/2" (572 mm), 34-1/2" (876 mm) and 46-1/2" (1181 mm). Refer to the **Vent Section Length Chart** for an aid in selecting length combinations. Elbows are available in 90° and 45° configurations. Refer to **Figure 20 on Page 18** for the SV4.5 E45 and SV4.5 E90 elbow dimensional specifications.

Where required, a **telescopic vent section (SV4.5LA)** may be used to provide the installer with an option in installing in tight and confined spaces or where the vent run made up of fixed length pieces develops a joint in a undesirable location, or will not build up to the required length. The SV4.5LA Telescopic Vent Section has an effective length of from 1-1/2" (38 mm) to 6-3/4" (171 mm). The SV4.5LA is fitted with a dimpled end (identical to a normal vent section component) and a plain end with 3 pilot holes. Slip the dimpled end over the locking channel end of a standard SV4.5 vent component the required distance and secure with three screws.

Maintain a minimum 1" (26 mm) clearance to combustible materials for all vertical elements. Clearances for all horizontal elements are 3" (77 mm) on top, 1" (26 mm) on sides and 1" (26 mm) on the bottom.

| Effective Vent Length | |
|-----------------------|------------------|
| Model | Effective Length |
| SV4.5L6 | 4-1/2" |
| SV4.5L12 | 10-1/2" |
| SV4.5L24 | 22-1/2" |
| SV4.5L36 | 34-1/2" |
| SV4.5L48 | 46-1/2" |

Table 7

| VENT SECTION LENGTH CHART | | | | | | | TOTAL QTY |
|---------------------------------|-------------------------|--------|--------|--------|--------|-------|--------------|
| Nominal Section Length (inches) | 6 | 12 | 24 | 36 | 48 | TOTAL | |
| Net Section Length (inches) | 4-1/2 | 10-1/2 | 22-1/2 | 34-1/2 | 46-1/2 | | |
| Height of Vent | Number of Vent Sections | | | | | TOTAL | |
| inches ft | | | | | | | |
| 4.5 | 0.375 | 1 | 0 | 0 | 0 | 0 | 1 |
| 9 | 0.75 | 2 | 0 | 0 | 0 | 0 | 2 |
| 10.5 | 0.875 | 0 | 1 | 0 | 0 | 0 | 1 |
| 15 | 1.25 | 1 | 1 | 0 | 0 | 0 | 2 |
| 22.5 | 1.875 | 0 | 0 | 1 | 0 | 0 | 1 |
| 31.5 | 2.625 | 0 | 3 | 0 | 0 | 0 | 3 |
| 34.5 | 2.875 | 0 | 0 | 0 | 1 | 0 | 1 |
| 37.5 | 3.125 | 1 | 1 | 1 | 0 | 0 | 3 |
| 43.5 | 3.625 | 0 | 2 | 1 | 0 | 0 | 3 |
| 45 | 3.75 | 0 | 0 | 2 | 0 | 0 | 2 |
| 46.5 | 3.875 | 0 | 0 | 0 | 0 | 1 | 1 |
| 51 | 4.25 | 1 | 0 | 0 | 0 | 1 | 2 |
| 55.5 | 4.625 | 0 | 1 | 2 | 0 | 0 | 3 |
| 57 | 4.75 | 0 | 0 | 1 | 1 | 0 | 2 |
| 67.5 | 5.625 | 0 | 0 | 3 | 0 | 0 | 3 |
| 69 | 5.75 | 0 | 0 | 0 | 2 | 0 | 2 |
| 73.5 | 6.125 | 1 | 0 | 0 | 2 | 0 | 3 |
| 79.5 | 6.625 | 0 | 1 | 0 | 2 | 0 | 3 |
| 81 | 6.75 | 0 | 0 | 0 | 1 | 1 | 2 |
| 91.5 | 7.625 | 0 | 0 | 2 | 0 | 1 | 3 |
| 93 | 7.75 | 0 | 0 | 0 | 0 | 2 | 2 |
| 97.5 | 8.125 | 1 | 0 | 0 | 0 | 2 | 3 |
| 103.5 | 8.625 | 0 | 0 | 0 | 3 | 0 | 3 |
| 108 | 9 | 1 | 0 | 0 | 3 | 0 | 4 |
| 117 | 9.75 | 1 | 0 | 5 | 0 | 0 | 6 |
| 118.5 | 9.875 | 1 | 1 | 0 | 3 | 0 | 5 |
| 126 | 10.5 | 0 | 0 | 1 | 3 | 0 | 4 |
| 130.5 | 10.875 | 1 | 0 | 1 | 3 | 0 | 5 |
| 135 | 11.25 | 0 | 0 | 6 | 0 | 0 | 6 |
| 139.5 | 11.625 | 0 | 0 | 0 | 0 | 3 | 3 |
| 142.5 | 11.875 | 1 | 0 | 0 | 4 | 0 | 5 |
| 144 | 12 | 1 | 0 | 0 | 0 | 3 | 4 |
| 154.5 | 12.875 | 1 | 1 | 0 | 0 | 3 | 5 |
| 160.5 | 13.375 | 0 | 2 | 0 | 0 | 3 | 5 |
| 172.5 | 14.375 | 0 | 0 | 0 | 5 | 0 | 5 |
| 177 | 14.75 | 1 | 0 | 0 | 5 | 0 | 6 |
| 186 | 15.5 | 0 | 0 | 0 | 0 | 4 | 4 |
| 196.5 | 16.375 | 0 | 1 | 0 | 0 | 4 | 5 |
| 207 | 17.25 | 0 | 0 | 0 | 6 | 0 | 6 |
| 211.5 | 17.625 | 1 | 0 | 0 | 6 | 0 | 7 |
| 217.5 | 18.125 | 0 | 1 | 0 | 6 | 0 | 7 |
| 229.5 | 19.125 | 0 | 0 | 1 | 6 | 0 | 7 |
| 232.5 | 19.375 | 0 | 0 | 0 | 0 | 5 | 5 |
| 241.5 | 20.125 | 0 | 0 | 0 | 7 | 0 | 7 |
| 246 | 20.5 | 1 | 0 | 0 | 7 | 0 | 8 |
| 252 | 21 | 0 | 1 | 0 | 7 | 0 | 8 |

| VENT SECTION LENGTH CHART | | | | | | | TOTAL QTY |
|---------------------------------|-------------------------|--------|--------|--------|--------|-------|--------------|
| Nominal Section Length (inches) | 6 | 12 | 24 | 36 | 48 | TOTAL | |
| Net Section Length (inches) | 4-1/2 | 10-1/2 | 22-1/2 | 34-1/2 | 46-1/2 | | |
| Height of Vent | Number of Vent Sections | | | | | TOTAL | |
| inches ft | | | | | | | |
| 276 | 23 | 0 | 0 | 0 | 8 | 0 | 8 |
| 279 | 23.25 | 0 | 0 | 0 | 0 | 6 | 6 |
| 280.5 | 23.375 | 1 | 0 | 0 | 8 | 0 | 9 |
| 289.5 | 24.125 | 0 | 1 | 0 | 0 | 6 | 7 |
| 301.5 | 25.125 | 0 | 0 | 1 | 0 | 6 | 7 |
| 310.5 | 25.875 | 0 | 0 | 0 | 9 | 0 | 9 |
| 325.5 | 27.125 | 0 | 0 | 0 | 0 | 7 | 7 |
| 330 | 27.5 | 1 | 0 | 0 | 0 | 7 | 8 |
| 345 | 28.75 | 0 | 0 | 0 | 10 | 0 | 10 |
| 349.5 | 29.125 | 1 | 0 | 0 | 10 | 0 | 11 |
| 372 | 31 | 0 | 0 | 0 | 0 | 8 | 8 |
| 379.5 | 31.625 | 0 | 0 | 0 | 11 | 0 | 11 |
| 418.5 | 34.875 | 0 | 0 | 0 | 0 | 9 | 9 |
| 465 | 38.75 | 0 | 0 | 0 | 0 | 10 | 10 |
| 475.5 | 39.625 | 0 | 1 | 0 | 0 | 10 | 11 |
| 480 | 40 | 1 | 1 | 0 | 0 | 10 | 11 |
| 492 | 41 | 1 | 0 | 1 | 0 | 10 | 12 |
| 499.5 | 41.625 | 0 | 0 | 0 | 1 | 10 | 11 |
| 504 | 42 | 1 | 0 | 0 | 1 | 10 | 12 |
| 511.5 | 42.625 | 0 | 0 | 0 | 0 | 11 | 11 |
| 520.5 | 43.375 | 0 | 2 | 0 | 1 | 11 | 14 |
| 531 | 44.25 | 0 | 2 | 2 | 0 | 11 | 15 |
| 538.5 | 44.875 | 1 | 0 | 0 | 2 | 11 | 14 |
| 549 | 45.75 | 1 | 0 | 2 | 1 | 11 | 15 |
| 558 | 46.5 | 0 | 0 | 0 | 0 | 12 | 12 |
| 562.5 | 46.875 | 1 | 0 | 0 | 0 | 12 | 13 |
| 568.5 | 47.375 | 0 | 1 | 0 | 0 | 12 | 13 |
| 573 | 47.75 | 1 | 1 | 0 | 0 | 12 | 14 |
| 580.5 | 48.375 | 0 | 0 | 1 | 0 | 12 | 13 |
| 589.5 | 49.125 | 0 | 1 | 2 | 2 | 10 | 15 |
| 595.5 | 49.625 | 1 | 1 | 1 | 0 | 12 | 15 |
| 604.5 | 50.375 | 0 | 0 | 0 | 0 | 13 | 13 |
| 615 | 51.25 | 0 | 1 | 0 | 0 | 13 | 14 |
| 625.5 | 52.125 | 0 | 2 | 0 | 0 | 13 | 15 |
| 631.5 | 52.625 | 1 | 0 | 1 | 0 | 13 | 15 |
| 637.5 | 53.125 | 0 | 1 | 1 | 0 | 13 | 15 |
| 651 | 54.25 | 0 | 0 | 0 | 0 | 14 | 14 |
| 655.5 | 54.625 | 1 | 0 | 0 | 0 | 14 | 15 |
| 672 | 56 | 0 | 2 | 0 | 0 | 14 | 16 |
| 678 | 56.5 | 1 | 0 | 1 | 0 | 14 | 16 |
| 688.5 | 57.375 | 1 | 1 | 1 | 0 | 14 | 17 |
| 697.5 | 58.125 | 0 | 0 | 0 | 0 | 15 | 15 |
| 702 | 58.5 | 1 | 0 | 0 | 0 | 15 | 16 |
| 712.5 | 59.375 | 1 | 1 | 0 | 0 | 15 | 17 |
| 720 | 60 | 0 | 0 | 1 | 0 | 15 | 16 |

NOTE: Convert inches into metric equivalent measurement, as follows:

- Millimeters (mm) = Inches x 25.4
- Centimeters (cm) = Inches x 2.54
- Meters (M) = Inches x .0254

A. Frame ceiling opening. Use a plumb line from the ceiling above the appliance to locate center of the vertical run. Cut and/or frame an opening, 10-1/2" x 10-1/2" (267 mm x 267 mm) inside dimensions, about this center mark (*Figure 17*).

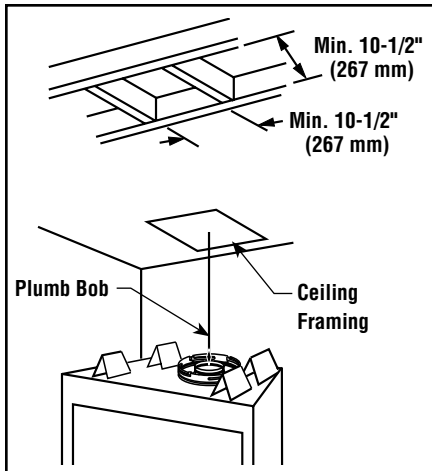


Figure 17: Ceiling Opening Framing

B. Attach adaptor (with probe) to appliance collar. Secure Vent® SV4.5 direct-vent system components are unitized concentric pipe components featuring positive twist lock connections (*see Figure 18*).

All of the appliances covered in this document are fitted with collars having locking inclined channels. The dimpled end of the adaptor fits over the appliance collar to create the positive twist lock connection.

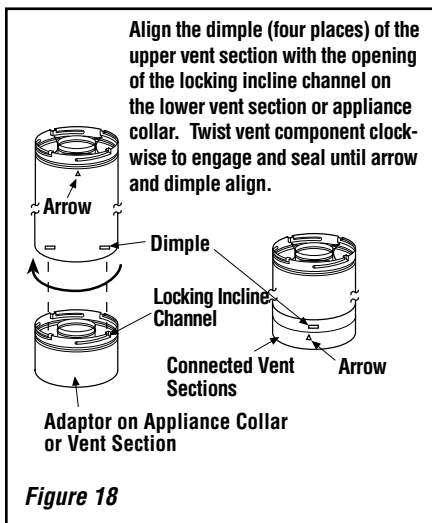


Figure 18

To attach a vent component to the adaptor on appliance collar, align the dimpled end over the adaptor collar, adjusting the radial alignment until the four locking dimples are aligned with the inlet of the four inclined channels on the collar (*refer to Figure 18*). Push the vent component against the collar until it fully engages, then twist the component clockwise, running the dimples down and along the incline channels until they seat at the end of the channels.

The unitized design of the **Secure Vent** components will engage and seal both the inner and outer pipe without the need for sealant or screws. If desired a #6 x 1/2" screw may be used at the joint, but it is not required as the pipe will securely lock when twisted.

C. Attach vent components to each other. Other vent sections may be added to the previously installed section in accordance with the requirements shown in *Figures 21 and 22 on Page 19*.

To add another vent component to a length of vent run, align the dimpled end over the inclined channel end of the previously installed section, adjusting the radial alignment until the four locking dimples are aligned with the inlets of the four incline channels of the previous section.

Push the vent component against the previous section until it fully engages, then twist the component clockwise running the dimples down and along the incline channels until they seat at the end of the channels. **This seating position is indicated by the alignment of the arrow and dimple as shown in Figure 18.**

D. Install firestop/spacer at ceiling. When using Secure Vent, use SV4.5VF firestop/spacer at ceiling joists. If there is living space above the ceiling level, the firestop/spacer must be installed on the bottom side of the ceiling. If attic space is above the ceiling, the firestop/spacer must be installed on the top side of the joist. Route the vent sections through the framed opening and secure the firestop/spacer with 8d nails or other appropriate fasteners at each corner. **Remember to maintain 1" (26 mm) clearance to combustibles, framing members, and attic or ceiling insulation when running vertical chimney sections. Attic insulation shield (H3907) is required and may be used to help maintain the clearances indicated here. See installation accessories on Page 34. The gap between the vent pipe and a vertical firestop can be sealed with non-combustible caulking.**

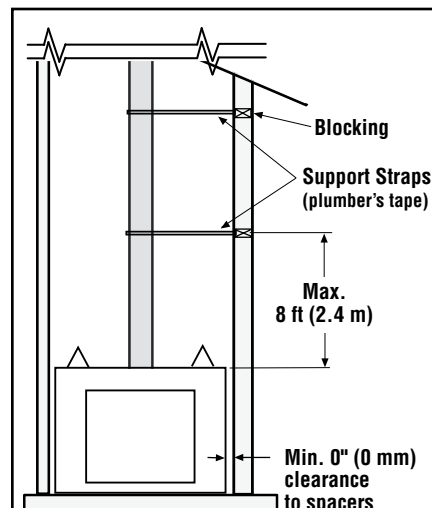


Figure 19

E. Support the vertical vent run sections.

NOTE: Proper venting support is very important. The weight of the vent must not be supported by the fireplace in any degree.

Support the vertical portion of the venting system every 8 feet (2.4 m) above the fireplace vent outlet. One method of support is by utilizing field provided support straps (conventional plumber's tape). Secure the plumber's tape to the framing members with nails or screws. Strap the tape around the vent, securing the ends of the tape to the framing. If desired, sheet metal screws #6 x 1/2" length may be used to secure the support straps to the vent pipe (*see Figure 19*).

F. Change vent direction to horizontal/inclined run. At transition from or to a horizontal/inclined run, install the SV4.5 E45 and SV4.5 E90 elbows in the same manner as the straight vent sections. The elbows feature a twist section to allow them to be routed about the center axis of their initial collar section to align with the required direction of the next vent run element. **Twist elbow sections in a clockwise direction only so as to avoid the possibility of unlocking any of the previously connected vent sections (*see Figures 18 and 20*).**

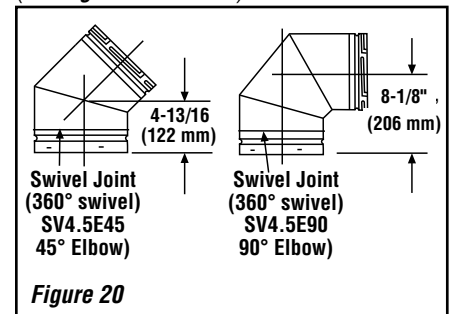


Figure 20

G. Continue installation of horizontal/inclined sections. Continue with the installation of the straight vent sections in horizontal/inclined run as described in **Step C**. Install support straps every 3' (914 mm) along horizontal/inclined vent runs using conventional plumber's tape (*see Page 19, Figure 21*).

NOTICE: It is important to install horizontal runs on a steady, (i.e., no "dips"), slightly positive incline of approximately 1/4" rise-per-foot (20 millimeters rise-per-meter) horizontal, in a direction away from the fireplace. (Slightly smaller rise-per-foot run ratios are acceptable.) Use a carpenter's level to measure from a constant surface, and adjust support straps as necessary.

It is important to maintain the required clearances to combustibles: 1" (26 mm) at all sides for all vertical runs; and 3" (77 mm) at the top, 1" (26 mm) at sides, and 1" (26 mm) at the bottom for all horizontal/inclined runs.

VENT FIGURES

NOTE:

- Secure Vent® components (rigid vent pipe and terminal) are shown in the figures.
- Two 45 degree elbows may be used in place of one 90 degree elbow.
- SV4.5VF (Secure Vent) firestop/spacer must be used anytime vent pipe passes through a combustible floor or ceiling. SV4.5HF (Secure Vent) firestop/spacer must be used anytime vent pipe passes through a combustible wall.

⚠ NOTICE: It is important to install horizontal runs on a steady, (i.e., no “dips”), slightly positive incline of approximately 1/4” rise-per-foot (20 millimeters rise-per-meter) horizontal, in a direction away from the fireplace. (Slightly smaller rise-per-foot run ratios are acceptable.) Use a carpenter’s level to measure from a constant surface, and adjust support straps as necessary.

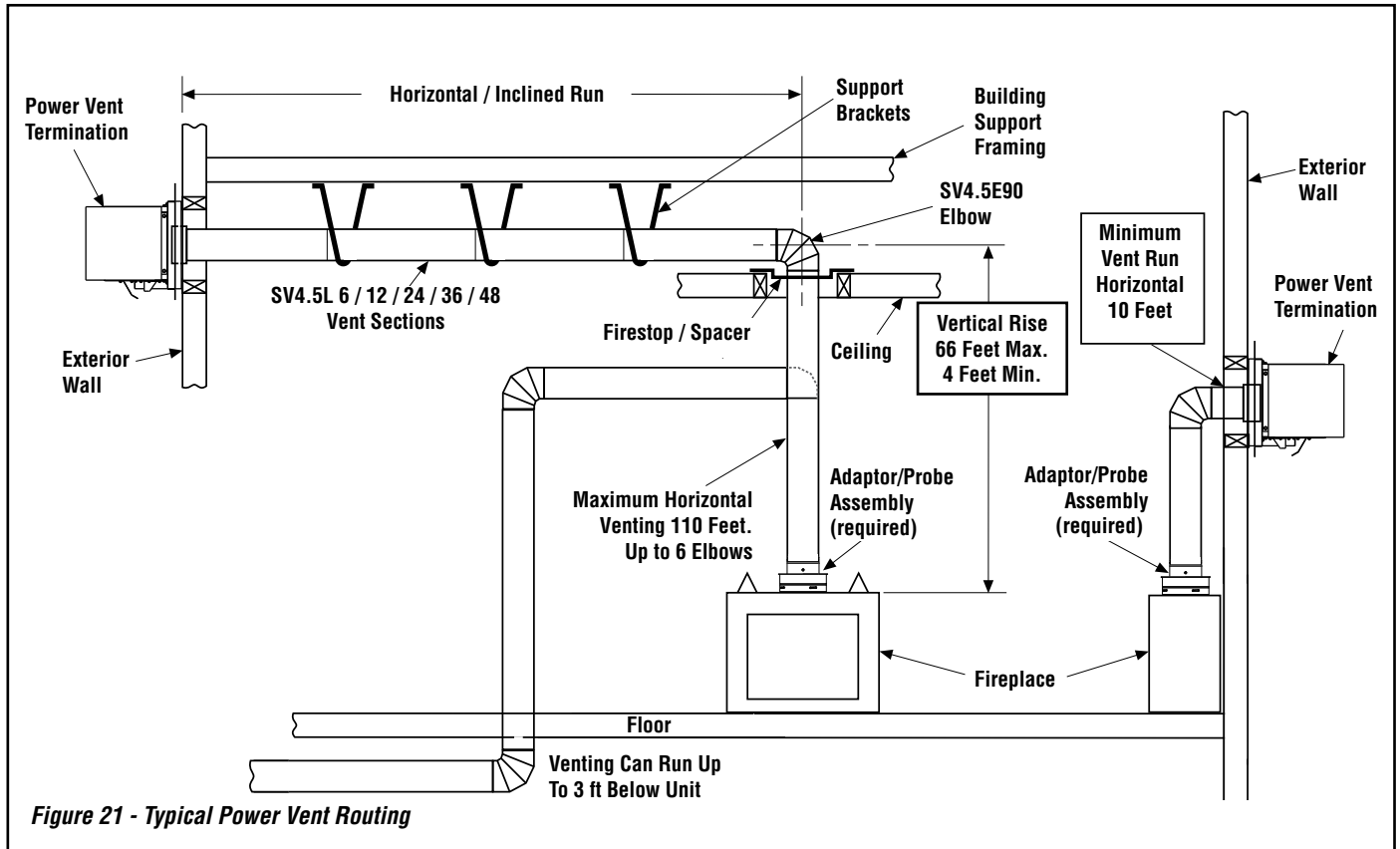


Figure 21 - Typical Power Vent Routing

| POWER VENT VENTING CHART | | |
|--------------------------|-------|---|
| Maximum Number Of Elbows | — | 6 |
| Maximum Feet Of Run | A + B | 110 feet |
| Minimum Horizontal Run | B | 10 feet |
| Minimum Vertical Run | A | Adaptor plus 4 ft (min.) Vertical Vent and 90° Elbow |
| Maximum Vertical Rise | A | 66 ft |

| MINIMUM CLEARANCES TO COMBUSTIBLES | |
|------------------------------------|---|
| Vertical Vent Pipe | 1" (26 mm) |
| Horizontal Vent Pipe | Top - 3" (77 mm) Sides - 1" (26 mm) Bottom - 1" (26 mm) |

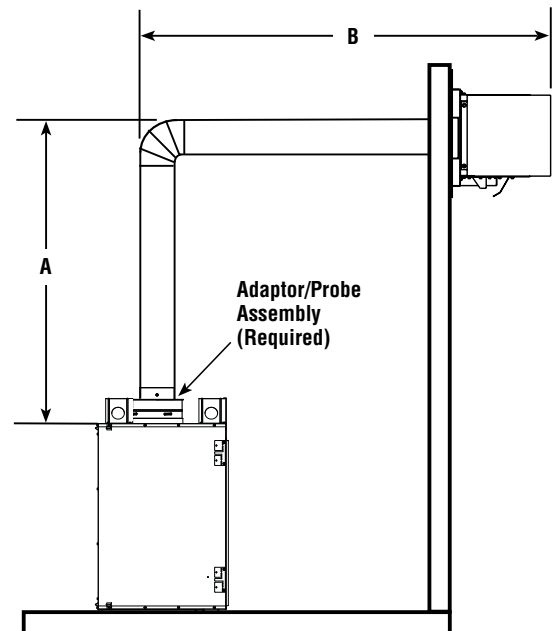


Figure 22

HORIZONTAL (OUTSIDE WALL) TERMINATION SYSTEM

See **Figures 21 and 22 on Page 19** illustrating the various horizontal venting configurations that are possible for use with these appliances. The table in **Figure 22 on Page 19** shows each system's minimum and maximum vertical and horizontal length values that can be used to design and install the vent components in a variety of applications.

The horizontal vent system terminates through an outside wall. Building Codes limit or prohibit terminating in specific areas. Refer to **Figure 3 on Page 8** for location guidelines.

Secure Vent® SV4.5 direct-vent system components are unitized concentric pipe components featuring positive twist lock connection, (refer to **Figure 18 on Page 18**). All of the appliances covered in this document are fitted with collars having locking inclined channels. The dimpled end of the vent components fit over the appliance collar to create the positive twist lock connection.

A. Plan the vent run.

Analyze the vent routing and determine the types and quantities of sections required 4-1/2" (114 mm), 10-1/2" (267 mm), 22-1/2" (572 mm), 34-1/2" (876 mm) and 46-1/2" (1181 mm) net section lengths are available. Make allowances for elbows as indicated in **Figure 20 on Page 18**.

Maintain a minimum 1" (26 mm) clearance to combustibles on the vertical sections. Clearances for the horizontal runs are; 3" (77 mm) on top, 1" (26 mm) on sides, and 1" (26 mm) at the bottom.

B. Frame exterior wall opening.

Locate the center of the vent outlet on the exterior wall according to the dimensions shown in **Figure 11 on Page 13**.

Cut and/or frame an opening, 10-1/2" x 12-1/8" (267 mm x 308 mm) inside dimensions, with 7-1/2" above center and 5-5/8" below center.

C. Frame ceiling opening.

If the vertical route is to penetrate a ceiling, use plumb line to locate the center above the appliance. Cut and/or frame an opening, 10-1/2" x 10-1/2" (267 mm x 267 mm) inside dimensions, about this center (refer to **Figure 17 on Page 18**).

D. Attach vent components to appliance.

To attach a vent component to the appliance collar, align the dimpled end over the collar, adjusting the radial alignment until the four locking dimples are aligned with the inlets of the four incline channels on the collar (refer to **Figure 18 on Page 18**).

Push the vent component against the collar until it fully engages, then twist the component clockwise, running the dimples down and along the incline channels until they seat at the end of the channels. The unitized design of the **Secure Vent** components will engage and seal both the inner and outer pipe elements with the same procedure. Sealant and securing screws are not required.

E. Attach vent components to each other.

Other vent sections may be added to the previously installed section in accordance with the requirements of the vent tables. To add another vent component to a length of vent run, align the dimpled end of the component over the inclined channel end of the previously installed section, adjusting the radial alignment until the four locking dimples are aligned with the inlets of the four incline channels of the previous section. Push the vent component against the previous section until it fully engages, then twist the component clockwise running the dimples down and along the incline channels until they seat at the end of the channels. **This seating position is indicated by the alignment of the arrow and dimple as shown in Figure 18 on Page 18.**

F. Install firestop/spacer at ceiling.

When using **Secure Vent**, use SV4.5VF firestop/spacer at ceiling joists. If there is living space above the ceiling level, the firestop/spacer must be installed on the bottom side of the ceiling. If attic space is above the ceiling, the firestop/spacer must be installed on the top side of the joist. Route the vent sections through the framed opening and secure the firestop/spacer with 8d nails or other appropriate fasteners at each corner.

Remember to maintain 1" (26 mm) clearance to combustibles, framing members, and attic or ceiling insulation when running vertical chimney sections.

G. Support the vertical run sections.

On the vertical run, support the venting system every 8 feet (2.4m) above the fireplace vent outlet with field provided support straps (Plumber's tape). Attach the straps to the vent pipe and secure to the framing members with nails or screws. See **Figure 19 on Page 18**.

H. Change vent direction.

At transition from or to a horizontal/inclined run, install the SV4.5E45 and SV4.5E90 elbows in the same manner as the straight vent sections. The elbows feature a twist section to allow them to be routed about the center axis of their initial collar section to align with the required direction of the next vent run element. **Twist elbow sections in a clockwise direction only so as to avoid the possibility of unlocking any of the previously connected vent sections (see Figures 18 and 20 on Page 18).**

I. Continue installation of horizontal/inclined sections.

Continue with the installation of the straight vent sections in horizontal/inclined run as described in **Step E**. Install support straps every 3 feet (914 mm) along horizontal/inclined vent runs using conventional plumber's tape.

See **Figure 21 on Page 19**.

⚠ NOTICE: It is important to install horizontal runs on a steady, (i.e., no "dips"), slightly positive incline of approximately 1/4" rise-per-foot (20 millimeters rise-per-meter) horizontal, in a direction away from the fireplace. (Slightly smaller rise-per-foot run ratios are acceptable.) Use a carpenter's level to measure from a constant surface, and adjust support straps as necessary.

Installing Power Vent Termination

J. Assemble vent run to exterior wall.

If not previously measured, locate the center of the vent on the exterior wall. Prepare an opening as described in this manual. Assemble the vent system to a point where the terminus of the last section is within 8 inches of the outside wall surface where the power vent is to be mounted (refer to **Figure 24 on Page 21**).

If the terminus of the last section is not within this distance, use the **telescopic vent section SV4.5LA**, as the last vent section. For wall thicknesses greater than that shown in **Figure 24 on Page 21**, refer to **Table 8 (Page 21)** for the additional venting components needed (in addition to the termination and adaptor) for a particular range of wall thicknesses.

K. Attach termination adaptor.

Attach the adaptor (SV4.5RCH, provided with the power vent kit) to the vent section telescoping vent section, or elbow, as shown in **Figures 23 and 24 on Page 21** in the same manner as any SV4.5 vent component.

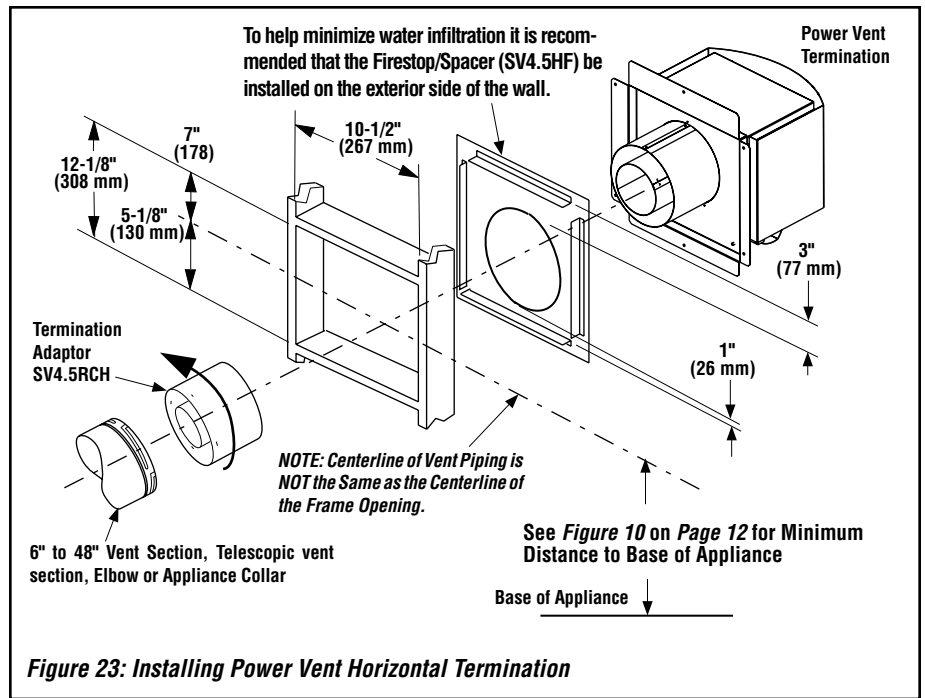
L. Install Firestop/Spacer at exterior wall.

Install SV4.5HF Firestop/Spacer, provided with the power vent kit, over the opening at the exterior side of the framing, long side up, with the 3 inch spacer clearance at the top as shown in **Figure 23**, and nail into place.

(The Firestop/Spacer may also be installed over the opening at the interior side of the framing).

M. Install the Power Vent termination.

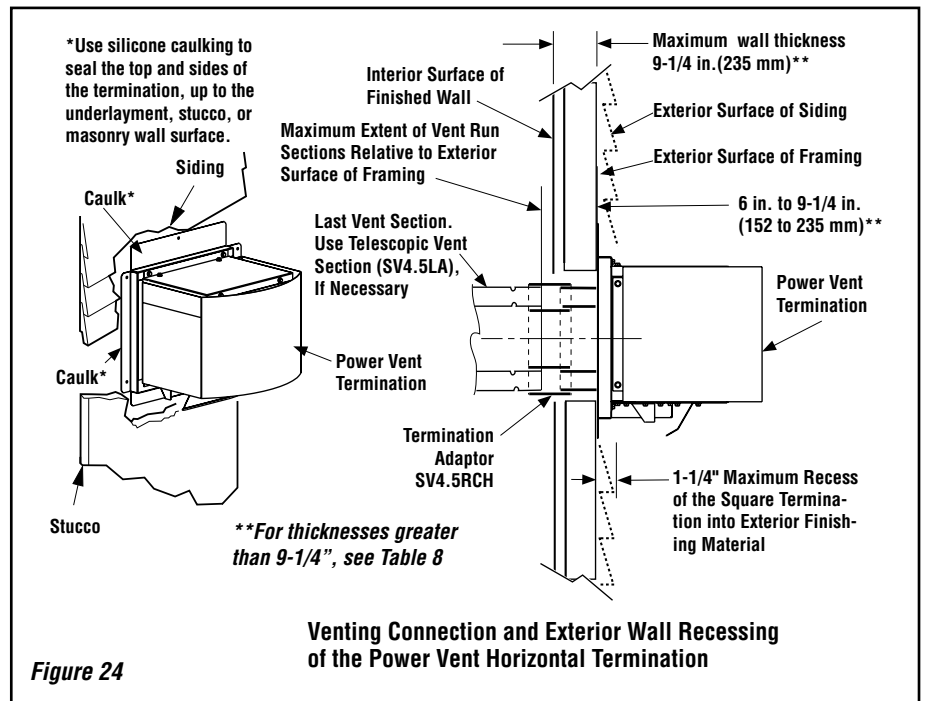
For the last step, from outside the exterior wall, slide the collars of the termination onto the adaptor (the outer inside the outer and the inner outside the inner) until the termination seats against the exterior wall surface to which it will be attached. Orient the housing of the termination with the arrow pointed upwards. Secure the termination to the exterior wall. **The termination must not be recessed into the exterior wall or siding** by more than the 1-1/4" (32 mm) as shown in **Figure 24**.



The Power Vent termination has been designed to perform in a wide range of weather conditions. Our terminations meet or exceed industry standards.

When selecting the location of your termination, do not place the termination where water from eaves and adjoining roof lines may create a heavy flow of cascading water onto the terminations. If the termination must be placed where the possibility of cascading water exists, it is the responsibility of the builder to direct the water away from the termination cap by using gutters or other means.

Take care to carefully follow the Installation Instructions for the termination, including the use of silicone caulking where required.



See Table 8 as an aid in venting component selection for a particular range of exterior wall thicknesses.

IMPORTANT: The vent termination is hot while in operation and for a period of time following the use of the fireplace. Young children should be carefully supervised when they are in the same area as a hot termination.

| Venting Components Required for Various Exterior Wall Thicknesses, When Using The Power Vent Termination | |
|--|---------------------------------------|
| Vent Components Required | Exterior Wall Thickness - inches (mm) |
| Termination Kit Only | 6 to 9-1/4 (152 to 235) |
| Termination Kit and 6" Vent Section (SV4.5L6) | 10-3/4 to 14 (273 to 356) |
| Termination Kit and 12" Vent Section (SV4.5L12) | 16-3/4 to 20 (426 to 508) |
| Termination Kit and Telescopic Section (SV4.5L12) | 11-3/4 to 20 (299 to 508) |

Table 8

Step 4. FIELD WIRING

CAUTION: Label all wires prior to disconnection when servicing controls. Wiring errors can cause improper and dangerous operation.

ATTENTION: Au moment de l'entretien des commandes, étiquetez tous les fils avant de les débrancher. Des erreurs de câblage peu-vent entraîner un fonctionnement inadéquat et dangereux.

Verify proper operation after servicing.

S'assurer que l'appareil fonctionne adéquatement une fois l'entretien terminé.

CAUTION: Ground supply lead must be connected to the wire attached to the green ground screw located on the outlet box. See Figures 32 and 33 on Page 24. Failure to do so will result in a potential safety hazard. The appliance must be electrically grounded in accordance with local codes or, in the absence of local codes, the National Electrical Code, ANSI/NFPA 70-latest edition (In Canada, the current CSA C22.1 Canadian Electrical Code).

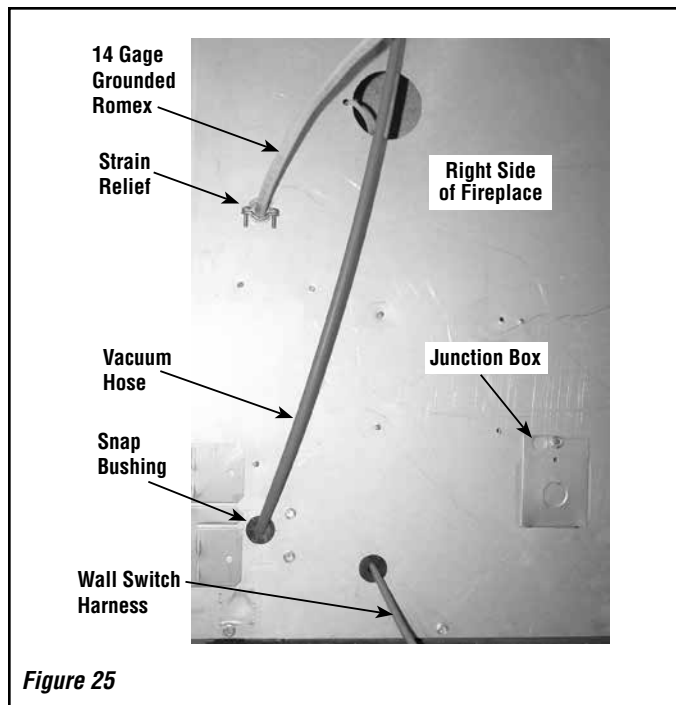
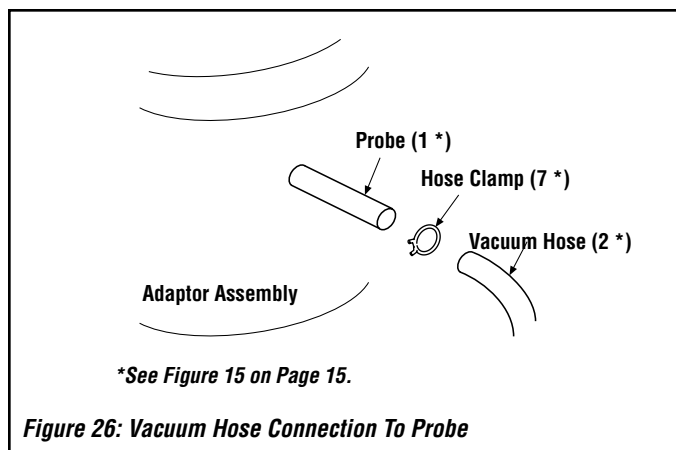


Figure 25



*See Figure 15 on Page 15.

Figure 26: Vacuum Hose Connection To Probe

Route Wiring

NOTE: Electrical wiring must be performed by a qualified electrician.

- Install the strain relief in the hole provided on the right side of fireplace for the electrical wiring (refer to Figure 25).

Standard Instruction (For use when access to the termination is difficult because of height or other reasons).

- Locate a locally procured electrical junction box within reach of the termination wiring pigtail (refer to Figure 28 on Page 23) and route the pigtail to the junction box as the termination is installed.
- Route 14 gauge AWG grounded Romex wiring (not provided) from the fireplace to the just installed junction box close to the termination. Ensure the wiring is safety plated to prevent damage by framing nails and finish drywall screws. Route the wire into the lower control compartment and cut to length before installing the terminals. Install provided wiring hardware on the ends of the Romex wire.
- Refer to Figure 29 on Page 23 and install the electrical hardware on the ends of the Romex wiring. Male terminals on the Black and White wires, and ring terminals on the ground wire.
- Using standard electrical practices and the terminals provided, connect the three wires of the Romex cable to the termination pigtail within the Electrical junction box. Ensure ground.
- The fireplace end of the Romex will be addressed in **Connecting The Power Vent To The Fireplace Control System**.

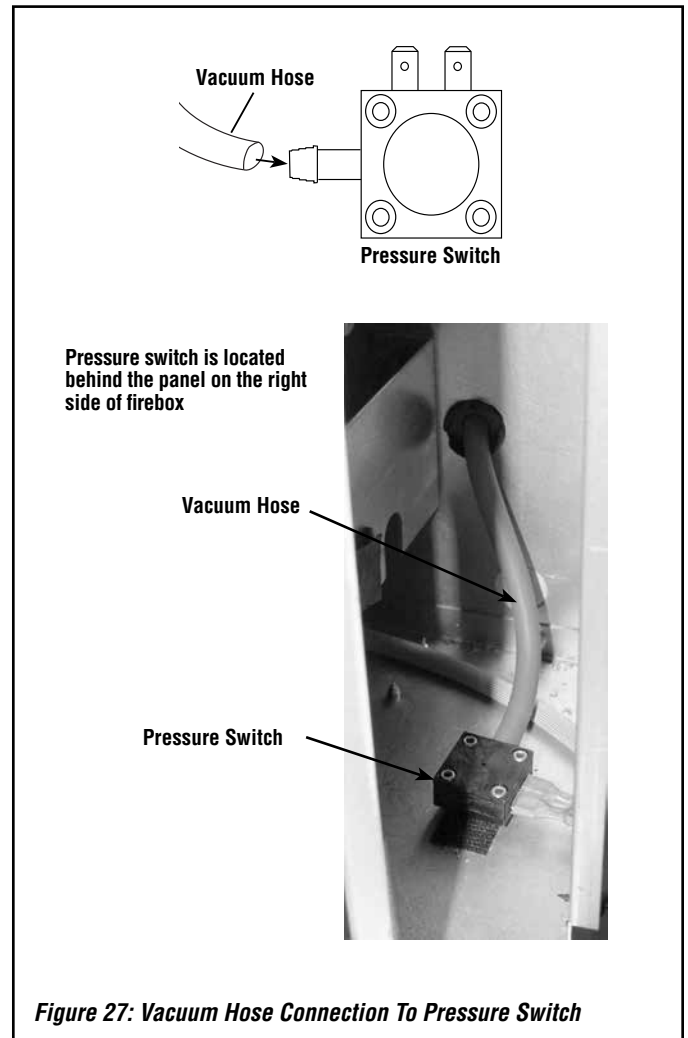


Figure 27: Vacuum Hose Connection To Pressure Switch

Wiring: Fireplace (See Figures 32 and 33 on Page 24)

NOTE: These electronic appliances must be connected to the main power supply. The gas valve is set in place and pre-wired at the factory.

1. Route a 3-wire 120Vac 60Hz 1ph power supply to the appliance junction box.
2. Remove the electrical inlet cover plate from the side of the unit by removing the plate's securing screws (see Figure 12 on Page 14).
3. Remove the cover plate's knockout and then feed the power supply wire through the knockout opening and into the unit junction box.
4. Connect the black power supply wire to the power outlet's red pigtail lead and the white power supply wire to the common terminal of the outlet as shown in Figures 31 and 32.
5. Connect the ground supply wire to the pigtail lead attached to outlet's green ground screw.
6. After the wiring is complete, replace the cover plate.

Wiring: Power Vent Termination

Alternate Instructions (For use when access to the termination is easy and a secondary electrical junction box installation is not desired).

- Remove the junction box cover from the termination by removing the attaching screw (refer to Figure 28).
- Loosen the strain relief on the termination shown in Figure 28. Pull the pigtail in and shorten it to fit within the junction box cover.
- Route 14 gauge AWG grounded Romex wiring (not provided) from fireplace to the J-Box at the termination. Ensure the wiring is safety plated to prevent damage by framing nails and finish drywall screws. Route the wire into the lower control compartment and cut to length before installing the terminals. Install provided wiring hardware on the fireplace end of the Romex wire.
- Refer to Figure 32 on Page 24 and install the electrical hardware on the fireplace end of the Romex wiring. Male terminals (#10) on the Black and White wires, and ring terminals (#9) on the ground wire. The termination end of the Romex will be connected to the termination with wire nuts (not provided).
- Refer to Figure 31 to connect the three wires of the Romex cable to the termination. Ensure the ground ring terminal is grounded beneath a structural screw as shown. Attach the junction box cover to the termination with the screw previously removed.
- The fireplace end of the Romex will be addressed in **Connecting The Power Vent To The Fireplace Control System**.

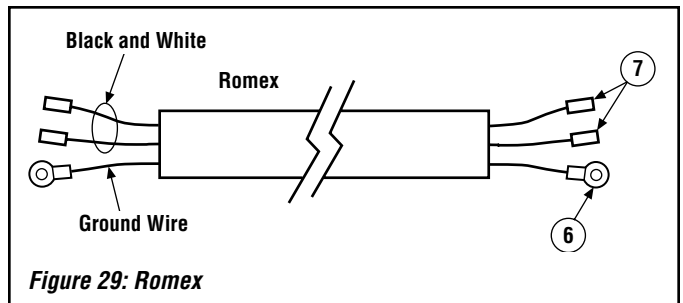


Figure 29: Romex

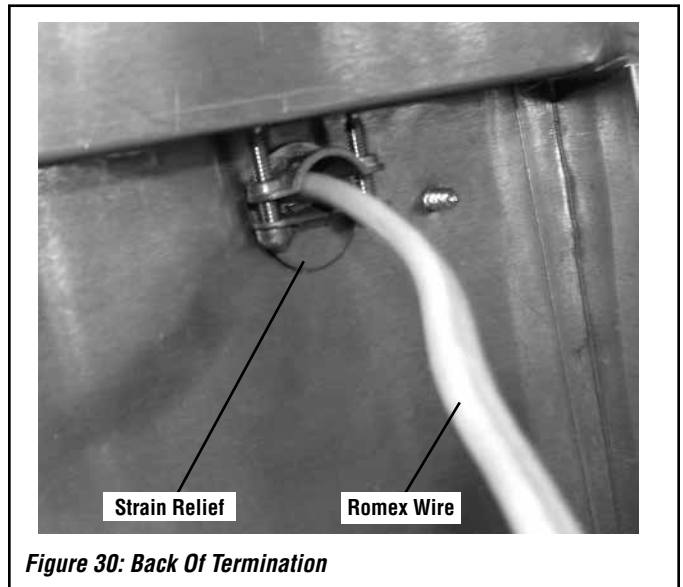


Figure 30: Back Of Termination

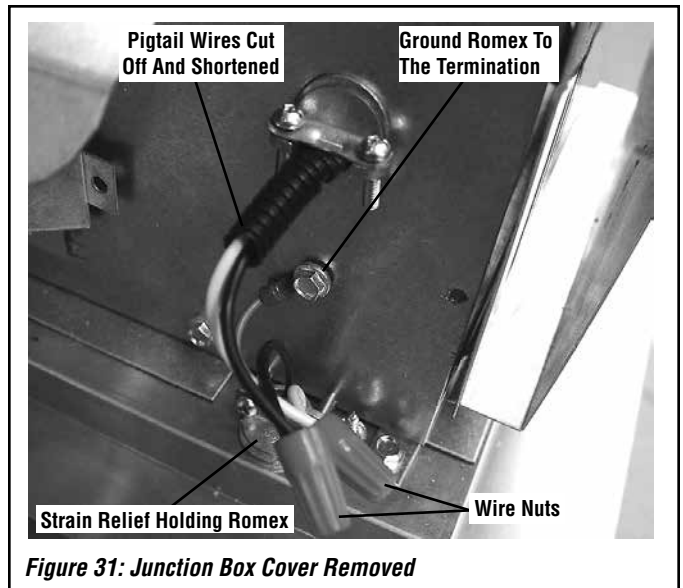


Figure 31: Junction Box Cover Removed

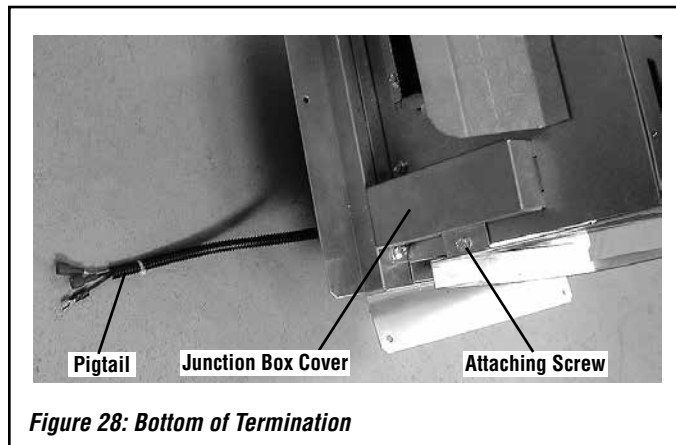


Figure 28: Bottom of Termination

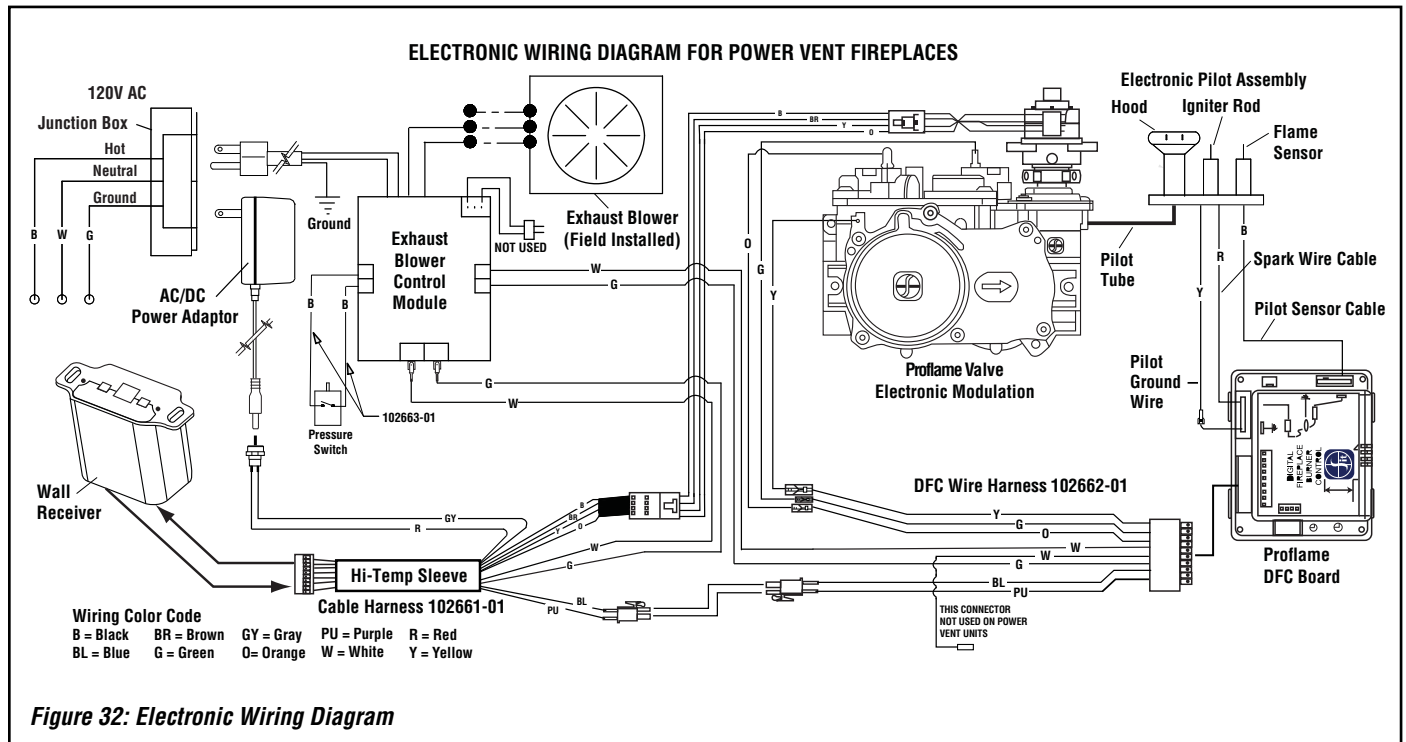


Figure 32: Electronic Wiring Diagram

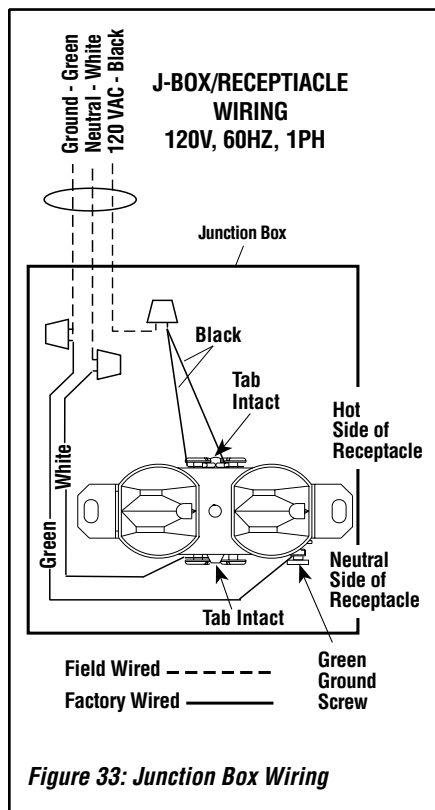


Figure 33: Junction Box Wiring

Step 5. REMOVE GLASS DOOR ASSEMBLY (ON CONTROL SIDE)

! WARNING

- Handle this glass with extreme care! Glass is susceptible to damage – Do not scratch or handle roughly while reinstalling the glass door frame.
- Do not attempt to substitute the materials used on this door, or replace cracked or broken glass with any materials other than those provided by the appliance manufacturer.
- The glass door of this appliance must only be replaced as a complete unit as provided by the manufacturer. Do not attempt to replace broken, cracked or chipped glass separately.

Remove Barrier (see Notice, Page 34)

This fireplace comes with a barrier to reduce the likelihood of burns from touching hot glass. If the barrier is damaged, the fireplace should be turned off immediately and the fireplace must not be operated until a new, approved factory barrier for this unit is installed.

NOTE: It will be necessary to remove the barrier filler trim piece. Upon reinstall, insure that the tabs on the barrier filler are engaged with the slots in the base of the fireplace.

To remove barrier follow these steps.

1. Lift barrier up by the frame at the top.
2. Remove lower filler piece by pulling down off of the barrier.
3. Lower barrier and push barrier to left to release right side.
4. Pull the right side out of fireplace.
5. Remove barrier.

Glass Door Assembly

If not already done, remove the glass door assembly on the control side of the fireplace (see Page 31).

Step 6. CONNECT GAS LINE

All codes require a shut-off valve mounted in the supply line. The orientation of the shut-off valve should face the front. **Figure 35** illustrates two methods for connecting the gas supply. A Sediment Trap is recommended to prevent moisture and debris in gas line from damaging the valve.

The flex-line method is acceptable in the U.S.A. where local codes permit, however, Canadian requirements vary depending on locality. Installation must be in compliance with local codes. These appliances are equipped with a gas flex-line for use in connecting the unit to the gas line.

See **Figure 35** for flex-line description. The flex-line is rated for both natural and propane gas.

A manual shut off valve is also provided with the flex-line. The gas control valve is located on the right side of the unit.

When using solid gas line connector, access the valve by removing the front door assembly on the control side and the access plate (**refer to Figure 34**).

The electronic control valve has a 3/8" (10 mm) NPT thread gas supply inlet.

Secure all joints tightly using appropriate tools and sealing compounds (ensure propane resistant compounds are used in propane applications). It is recommended to seal around the gas line to prevent cold air leakage.

Bring the shutoff valve on the end of the flex-line over to the hard pipe and tighten with wrenches from above through the firebox opening.

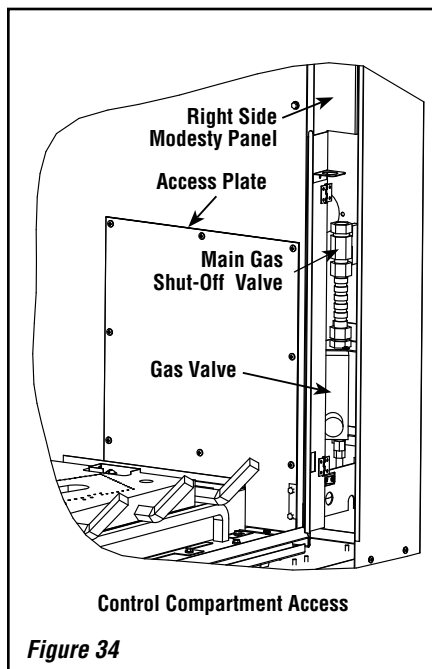


Figure 34

TEST ALL CONNECTIONS FOR GAS LEAKS (FACTORY AND FIELD):



Turn on gas supply and test for gas leaks using a gas leak test solution (also referred to as bubble leak solution). **NOTE: Using a soapy water solution is an effective leak test solution but it is not recommended, because the soap residue that is left on the pipes/fittings can result in corrosion over time.**

- A. Light the appliance (refer to the lighting instructions label in control compartment or in the Care and Operation Instructions manual).
- B. Brush all joints and connections with the gas leak test solution to check for leaks. If bubbles are formed, or gas odor is detected, turn the receiver or remote control to the "OFF" position. Either tighten or refasten the leaking connection, then retest as described above.
- C. When the gas lines are tested and leak free be sure to rinse off the leak testing solution.
- D. Reinstall the access plate, making certain the gasket has not been damaged.

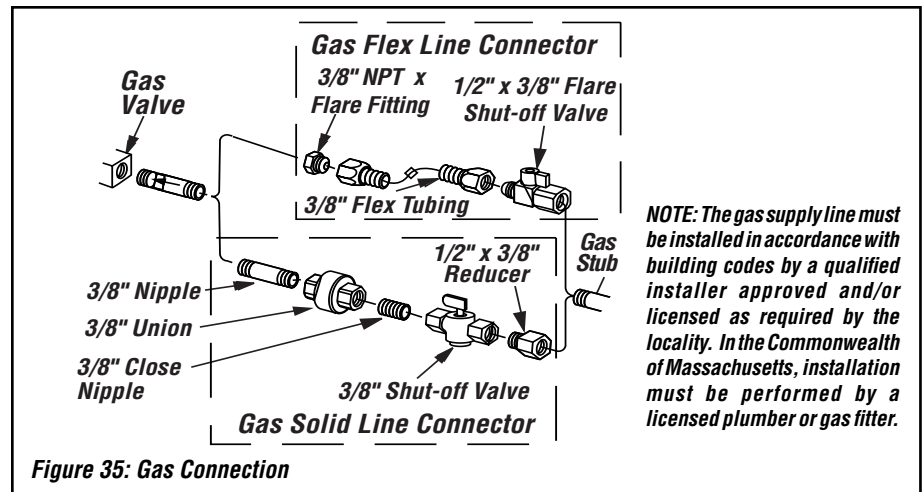


Figure 35: Gas Connection

Step 7. INSTALL FIREBOX LINER PANELS

Install the ceramic or porcelain liner panels per the instructions provided in the kit (ref. document P/N 506020-46).

NOTICE: Panel liners must be installed before operating fireplace.

Step 8. VERIFY APPLIANCE OPERATION

Turn on burner; then observe the individual tongues of flame on the burner. Make sure all ports are open and producing flame evenly across the burner. If any ports are blocked, or partially blocked, clean out the ports.

With gas line installed run initial system check-out before closing up the front of the unit. Follow the pilot lighting instructions provided.

NOTE: Lighting Instructions are also found on the literature tag tied to the bracket above the gas valve. To access the tag, reach into the right side opening.

When first lighting the appliance, it will take a few minutes for the line to purge itself of air. Once purging is complete, the pilot and burner will light and operate as indicated in the instruction manual. Subsequent lighting of the appliance will not require such purging. Inspect the pilot flame (remove logs, if necessary, handling carefully).

Appliance Checkout

To light the burner, refer to the lighting instructions in the Care and Operation Instructions manual or the lighting label located behind right panel. Ensure the igniter lights the pilot. The pilot flame should engulf the flame sensor as shown in **Figure 36**.

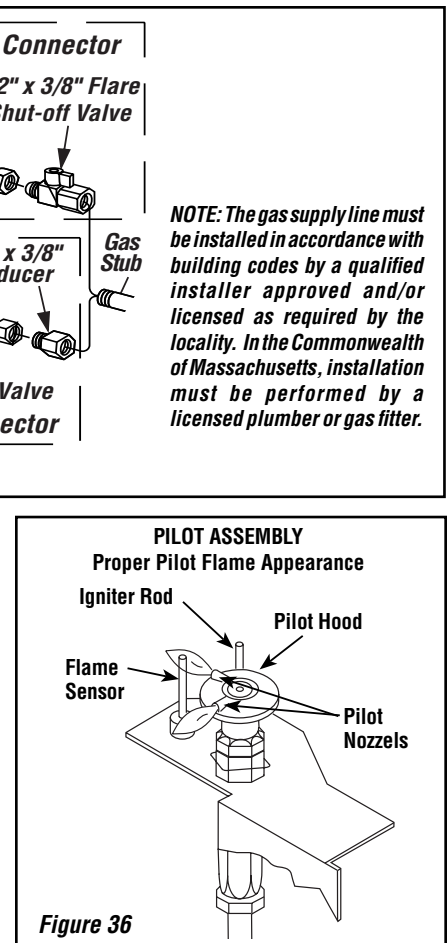


Figure 36

Step 9. INSTALL VOLCANIC STONE, GLOWING EMBERS, AND LOGS

9-1. Remove mesh pull screens, modesty panel, and glass door assembly from one side of fireplace. See **Page 29**.

9-2. Locate materials (log set, bag of glowing embers, and bags of volcanic stone).

NOTE: LOGS ARE FRAGILE! Handle with care to prevent breakage.

9-3. Install volcanic stone. Place some of the volcanic stone on the firebox floor around the grate (the entire bag of volcanic stone will NOT be used).

NOTE: Do NOT place volcanic stone on burner.

9-4. Prepare and install glowing embers.

NOTE: This appliance is provided with enough glowing ember material for several applications. Do NOT use the entire contents of a new bag at one time.

- a) Separate some of the glowing ember material into pieces **about the size and thickness of a dime** (see **Figure 37**). Keep the pieces fluffed up, not matted.

! IMPORTANT! Ember pieces must be as SMALL and THIN as a dime.

- b) Distribute the dime-sized pieces over the surface of the burner, in the areas shown in **Figures 38 and 39**.

NOTE: To prevent flame impingement and soot, do not use more ember material than necessary.

- c) For best glowing effect, replace ember material annually.

NOTE: Use only catalog number H8312 Platinum Glowing Embers with this fireplace.

! WARNING

- **DO NOT attempt to install the logs until the appliance installation has been completed, the gas line connected and tested for leaks, and the initial burner operation has been checked out.**
- **Logs get very hot and will remain hot up to one hour after gas supply is turned off. Handle only when logs are cool. Turn off all electricity to the appliance before you install volcanic stone, embers and logs.**
- **The size and position of the log set was engineered to give the appliance a safe, reliable and attractive flame pattern. Any attempt to use a different log set in the fireplace will void the warranty and will result in incomplete combustion, sooting, and poor flame quality.**
- **This appliance is not designed to burn wood. Any attempt to do so could cause irreparable damage to the appliance and prove hazardous to your safety.**
- **If logs are not installed according to the log installation instructions, flame impingement and improper combustion could occur and result in soot and/or excessive production of carbon monoxide (CO), a colorless, odorless, toxic gas.**

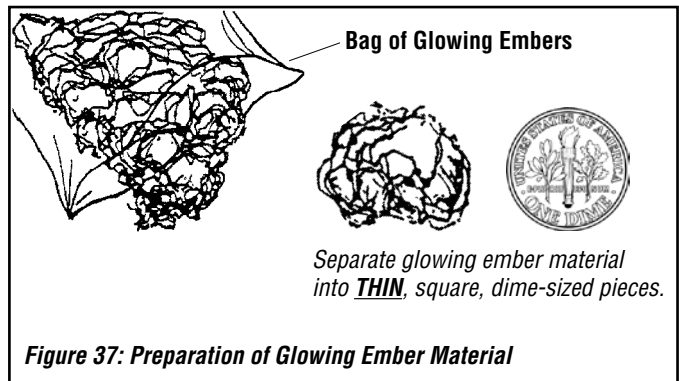


Figure 37: Preparation of Glowing Ember Material

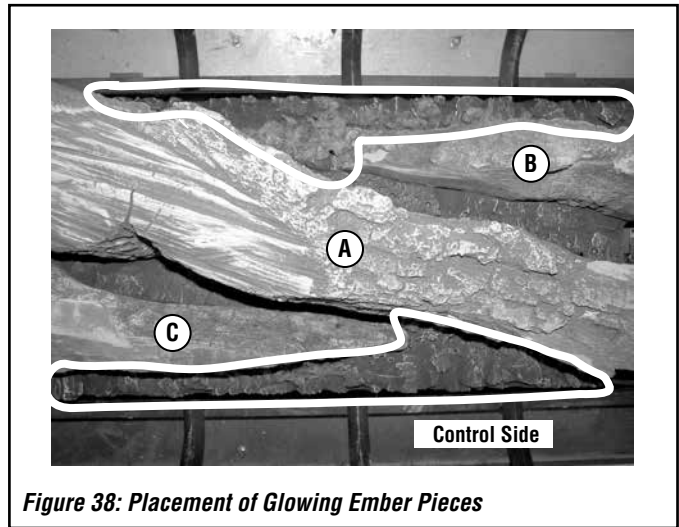


Figure 38: Placement of Glowing Ember Pieces

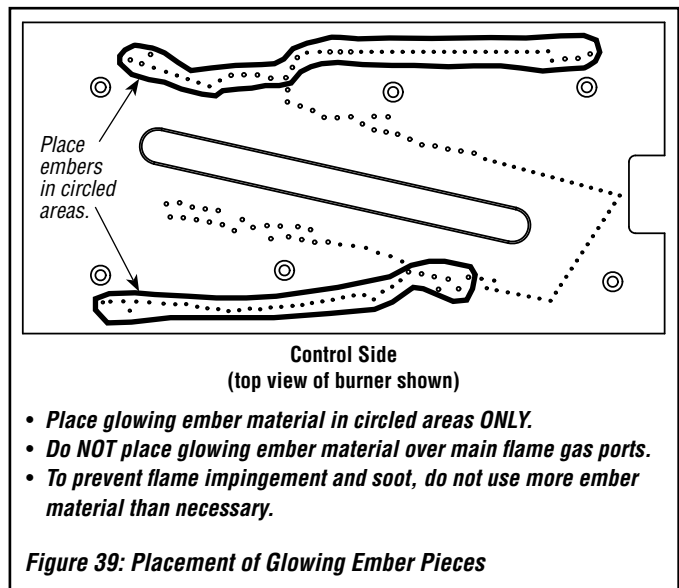


Figure 39: Placement of Glowing Ember Pieces

NOTE: It is important to ensure proper log placement per the manual when installing these units. Verify pilot flame is not obstructed. See Verifying Appliance Operation on Page 25.

9-5. Install logs (reference **Figure 40** and **Table 9**).

NOTE: Logs are FRAGILE! Handle with care to prevent breakage.

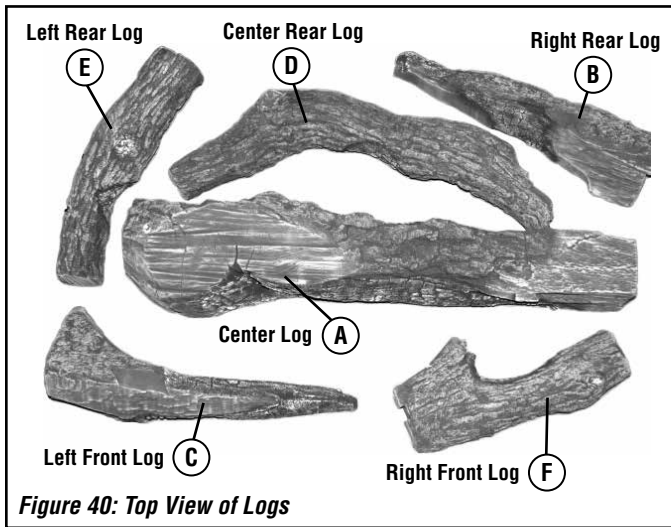


Figure 40: Top View of Logs

| LOG SET | | | |
|---------|-----------------|-------|----------------|
| Item* | Description | Item* | Description |
| A | Log, Center | D | Log, Top Right |
| B | Log, Right Rear | E | Log, Top Left |
| C | Log, Left Front | F | Log, Top Front |

*Item letters correspond to photos.

| FIREBOX ACCESSORIES/PARTS | | |
|---------------------------|-------|--------------------------------|
| Cat. No. | Model | Description |
| H8312 | PGE | Bag of Platinum Glowing Embers |
| 80L42 | FDVS | Bag of Volcanic Stone |

Table 9

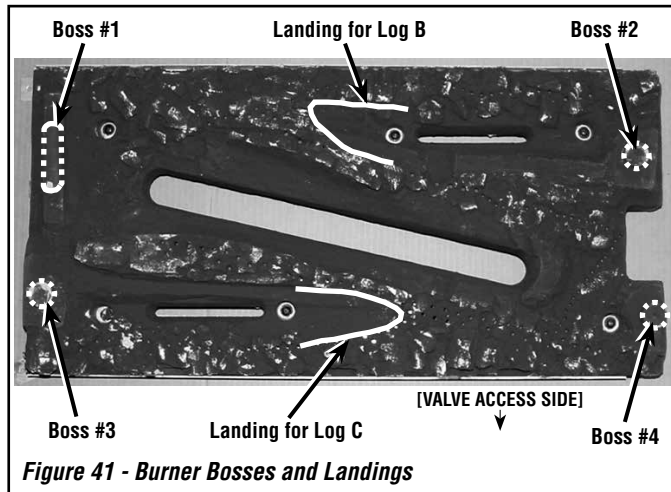


Figure 41 - Burner Bosses and Landings

9-6. Place rectangular notches on underside of Center Log A (Figure 42) over Boss #1 and Boss #4 (Figure 41).

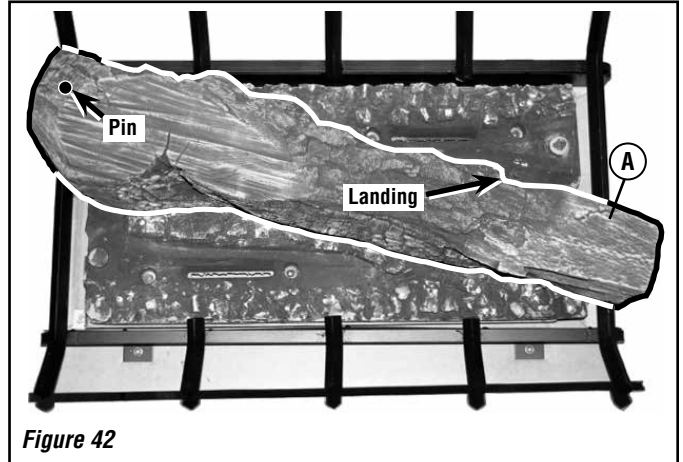


Figure 42

9-7. Place notch on underside of Right Rear Log B (Figure 43) over Boss #2 (Figure 41).

Place opposite end of **Right Rear Log B (Figure 43)** on **Landing for Log B** (see **Figure 41**).

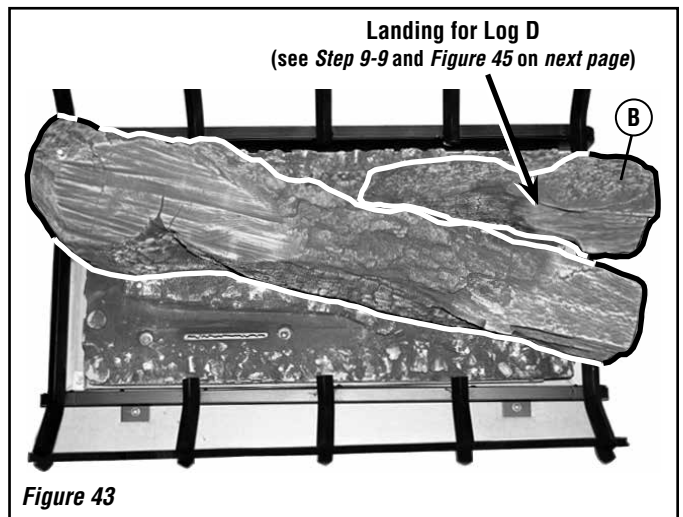


Figure 43

9-8. See Figures 41 and 44. Place notch on underside of Left Front Log C over Boss #3.

Place opposite end of **Left Front Log C** on **Landing for Log C** (see **Figure 41**).

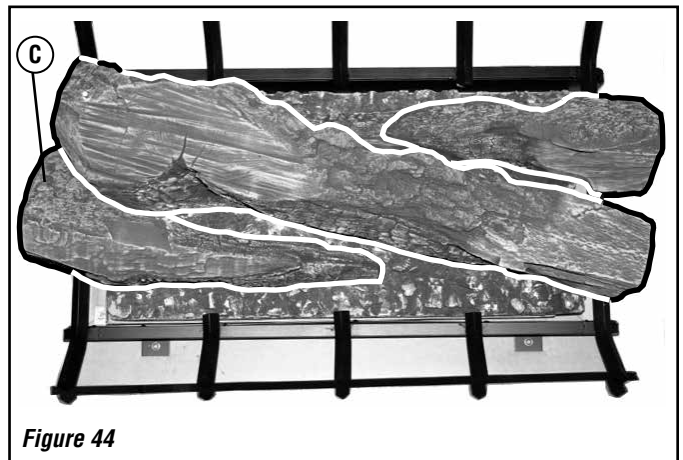
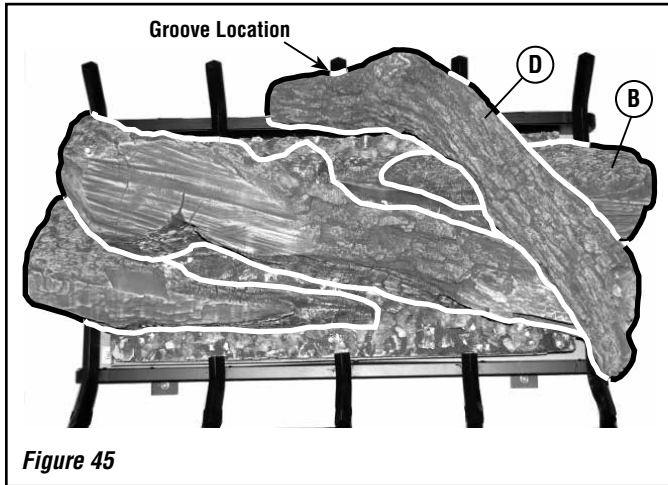


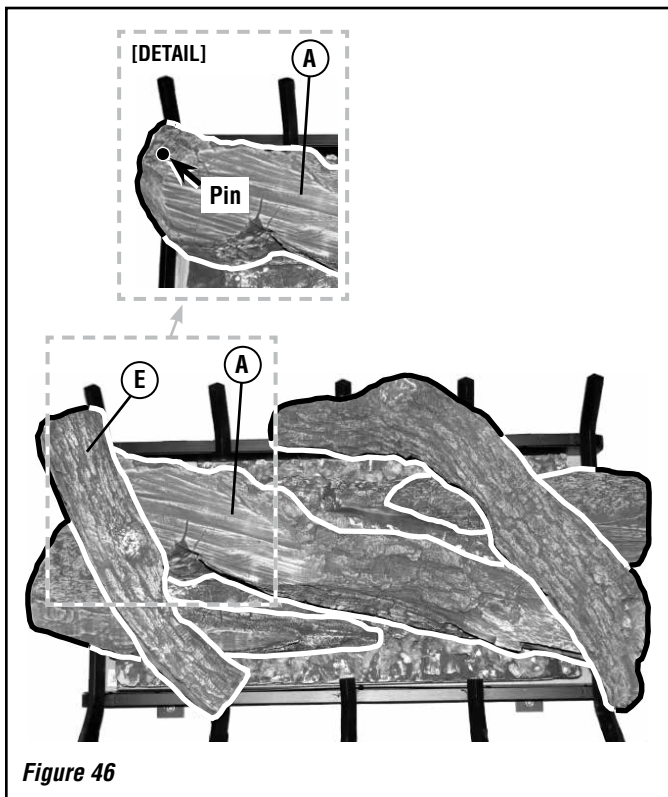
Figure 44

9-9. Place groove on underside of **Top Right Log D** over the grate as shown in **Figure 45**.

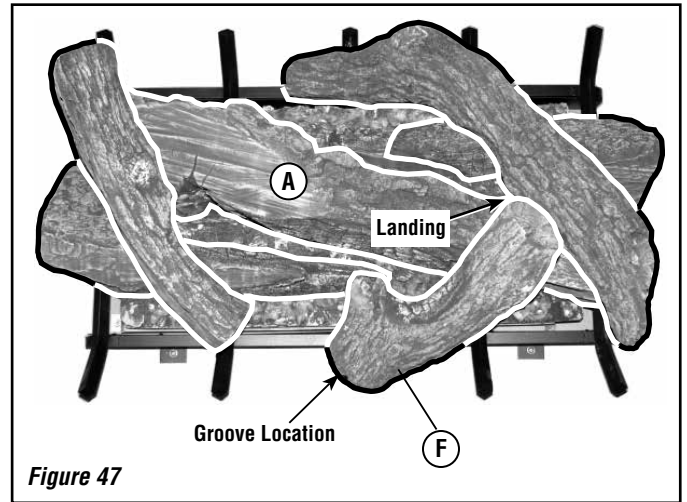
The middle section of **Log D** will rest on the landing on **Log B** (labeled as “**Landing for Log D**” in **Figure 43**).



9-10. See **Figure 46**. Place hole on underside of **Top Left Log E** over pin on **Center Log A**.



9-11. See **Figure 47**. Place groove on underside of **Top Front Log F** over the grate finger. Rest the other end of the log on the **Landing** on **Center Log A**.



Step 10. INSTALL GLASS DOORS, MESH PULL SCREENS, AND MODESTY PANEL

⚠ WARNING

**HOT GLASS WILL CAUSE BURNS.
DO NOT TOUCH GLASS UNTIL COOLED.**

- Install only when fireplace is OFF and COLD.
- Fireplace surfaces get EXTREMELY HOT!
- The glass on the front of the fireplace reaches EXTREMELY HIGH temperatures and can cause severe burns if touched. Even after the gas is turned off, fireplace surfaces remain extremely hot.

⚠ CAUTION

**RISK OF PERSONAL INJURY
OR PROPERTY DAMAGE.**

- Do NOT abuse glass doors by striking or slamming shut

- Never operate fireplace with glass door assemblies removed.

These direct-vent appliances are designed to operate only when both glass door assemblies are installed. Generally, the glass door assemblies should not be removed, except when access to components within the firebox is required.

- Securely tighten door latch screws when reinstalling glass door assemblies to prevent doors from falling out.

- Handle glass door assemblies with extreme care. Replace damaged glass door assemblies with approved replacement assemblies only.

The door assemblies on this fireplace contain ceramic glass. Handle with care to prevent damage. If the door frame or glass on either assembly becomes damaged, replace the entire glass door assembly with a manufacturer-approved replacement assembly only. Do not attempt to substitute any materials used on door assemblies or replace cracked or broken glass with any other materials.

- Only doors certified with the appliance shall be used.

- Seules des portes certifiées pour cet appareil doivent être utilisées.

Installing Glass Doors, and Modesty Panel

(see Figure 48)

NOTE: These instructions do NOT apply to the Outer Glass Door provided in the Outdoor Kit (for indoor/outdoor installations).

- 1) Install one of the glass doors, as follows:
 - a) Retrieve the glass door. Visually inspect the gasket on the back of the frame. Gasket surface must be clean, free of irregularities, and seated firmly.
 - b) Position the door in front of the firebox opening, with the top of the door held away from the fireplace (see **Figure 50**).
 - c) Lower the bottom of the door assembly onto the bottom door track, engaging and centering it in the base channel, and then gently swing the door up.
 - d) Using a #3 Phillips screwdriver, fasten the door frame to the door latches with the two (2) latch screws. The latches should pull forward to engage the door frame.

NOTE: Securely tighten latch screws when reinstalling glass door assembly.

- 2) Install the modesty panel on the top flange of the glass door, as follows:
 - a) Grasp the modesty panel with both hands (with the open hem facing down).
 - b) Engage it with the top flange of the glass door frame by pushing it all the way down. Make sure the installed modesty panel is firmly in place.

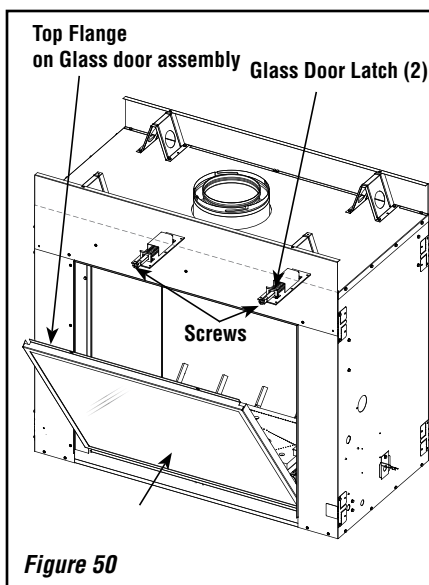


Figure 50

Removing Glass Doors, Barrier, and Modesty Panel

(see Figure 48)

- 1) Remove Barrier (see Notice, Page 28)

This fireplace comes with a barrier to reduce the likelihood of burns from touching hot glass. If the barrier is damaged, the fireplace should be turned off immediately and the fireplace must not be operated until a new, approved factory barrier for this unit is installed.

To remove barrier follow these steps.

- a. Lift barrier up by the frame at the top.
- b. Remove lower filler piece by pulling down off of the barrier.
- c. Lower barrier and push barrier to left to release right side.
- d. Pull the right side out of fireplace.
- e. Remove barrier.
- f. Install the new, approved factory barrier with flat side of barrier toward firebox (if appropriate)

- 2) Remove the modesty panel from the top flange of the glass door by firmly pulling up on it with both hands until it is disengaged.

- 3) Remove one of the glass doors, as follows:

- a) See **Figure 50**. While holding the top of the glass door frame in place, use a #3 Phillips screwdriver to remove the two (2) screws securing the door frame to the two (2) door latches.
- b) Carefully tilt the top of the glass door frame away from the unit (as shown in **Figure 50**), and then lift the door assembly up and out of the lower track.
- c) Carefully place the glass door assembly on a padded surface in a safe location to prevent damage.

Step 11. BURNER ADJUSTMENTS

Flame Appearance and Sooting

Proper flame appearance is a flame that is blue at the base and becomes yellowish-orange in the body of the flame. When the appliance is first lit, the entire flame may be blue and will gradually turn yellowish-orange during the first 30 minutes of operation. After 30 minutes of operation, if the flame is blue, or if the flame is orange with evidence of sooting (black tip), the air shutter opening may need to be adjusted.

If the air shutter opening is closed too far, sooting may develop. Sooting is indicated by black puffs developing at the tips of very long orange flames. Sooting results in black deposits forming on the logs, appliance inside surfaces and on exterior surfaces adjacent to the vent termination.

Sooting is caused by incomplete combustion in the flames and lack of combustion air entering the air shutter opening. To achieve a warm yellowish-orange flame with an orange body that does not soot, the shutter opening must be adjusted between these two extremes.

Air Shutter Adjustment Guidelines

- If there is smoke or soot present, first check the log set positioning to ensure that the flames are not impinging on any of the logs. If the log set is properly positioned and a sooting condition still exists, then the air shutter opening should be increased.
- The more offsets in the vent system, the larger the air shutter opening will need to be.
- An appliance operated with the air shutter opened too far, may have flames that appear blue and transparent. These weak, blue and transparent flames are termed anemic.
- Propane models may exhibit flames which candle or appear stringy. If this is present and persists, adjust the air shutter to a more OPEN position, then operate the appliance for a few more minutes to ensure that the flame normalizes and the flames do not appear sooty.

The following chart is provided to aid you in achieving the correct air shutter adjustment for your installation.

| Air Shutter Adjustment Guidelines: | | |
|------------------------------------|------------------------|-------------------------------------|
| Amount of Primary Air | Flame Color | Air Shutter Adjustment |
| If air shutter is closed too far → | Flame will be orange → | Air shutter gap should be increased |
| If air shutter is open too far → | Flame will be blue → | Air shutter gap should be decreased |

Burner Air Shutter Adjustment Procedure

⚠ WARNING

**HOT GLASS WILL CAUSE BURNS.
 DO NOT TOUCH GLASS UNTIL COOLED.**

- Fireplace surfaces get **EXTREMELY HOT!**
- The glass on the front of the fireplace reaches **EXTREMELY HIGH temperatures and can cause severe burns if touched. Even after the gas is turned off, fireplace surfaces remain extremely hot.**

⚠ CAUTION

**RISK OF PERSONAL INJURY
 OR PROPERTY DAMAGE.**

- Air shutter adjustment should only be performed by a qualified professional service technician.
- Soot will be produced if the air shutter is closed too much. Any damage due to carboning resulting from improperly setting the air shutter is not covered under the warranty.

1. Light the appliance (follow lighting procedure on **Page 52** or on lighting label in control compartment).
2. Allow the burner to operate for at least 30 minutes while continuously observing the flame to ensure that the proper flame appearance has been achieved (see **Figures 49 and 50**).
3. Adjust the air shutter using the lever on the lower right side of the firebox on the control side (**Figure 49**).
 - For more **OPEN** air shutter, slide lever to the **RIGHT**.
 - For more **CLOSED** air shutter, slide lever to the **LEFT**.

A minimum shutter setting is designed into the venturi by four 1/16"-inch tabs.

- If the flame appears weak or sooty (as described on the previous page), adjust the air shutter until proper flame appearance is achieved.
- If flame stays lowered blue, **incrementally** adjust the air shutter to a more **CLOSED** position until proper flame appearance is achieved.

NOTE: See **Figures 49 and 50** for proper burner flame appearance.

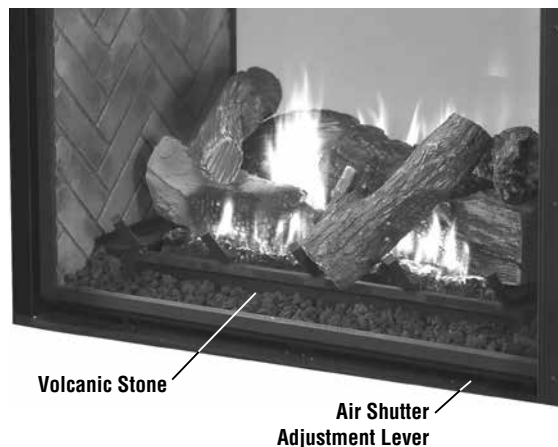


Figure 49 - Burner Flame Appearance — Control Side

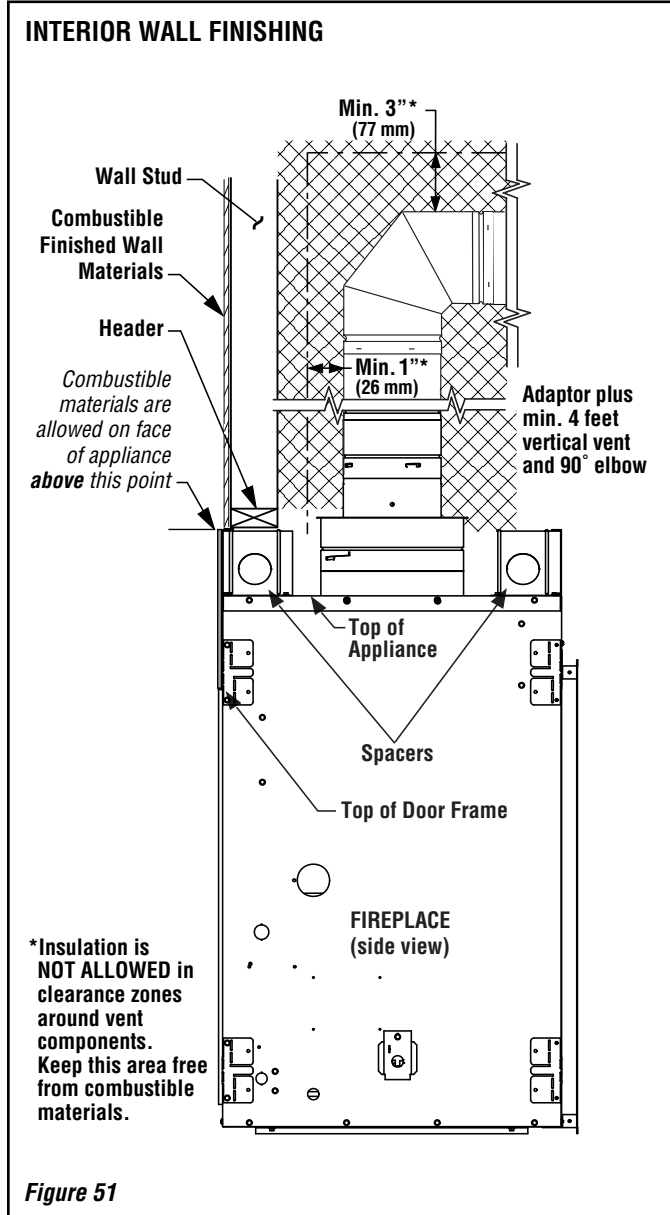


Figure 50 - Burner Flame Appearance — Opposite Control Side

FINISHING REQUIREMENTS

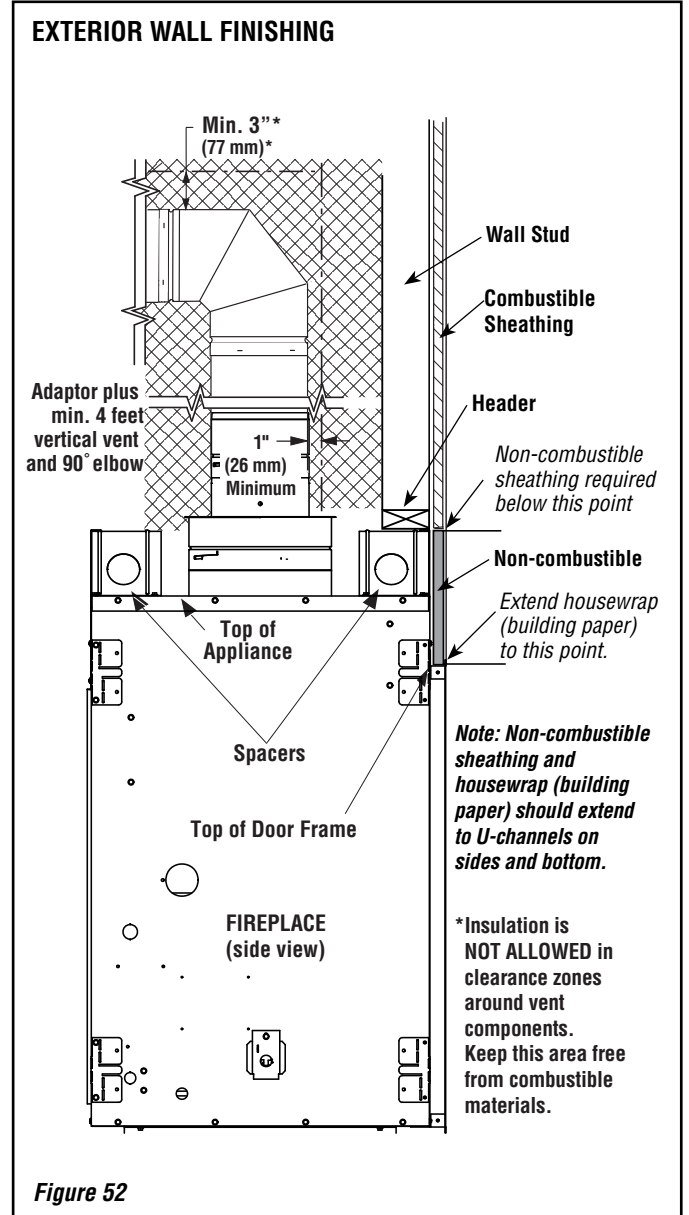
Wall Details - INDOOR SIDE(S)

Complete the finished interior wall. To install the appliance facing flush with the finished wall, position framework to accommodate the thickness of the finished wall (**Figure 51**).

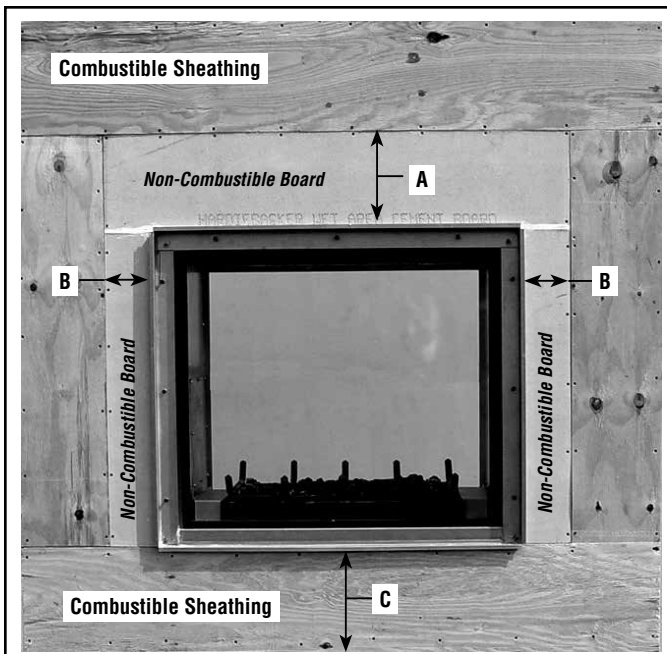


Wall Details - OUTDOOR SIDE

Complete finished exterior wall per the instructions provided in the Outdoor Installation Kit and the instructions provided here. To install the appliance facing flush with the finished exterior wall, position framework to accommodate the thickness of the exterior finished wall (**Figure 52**).



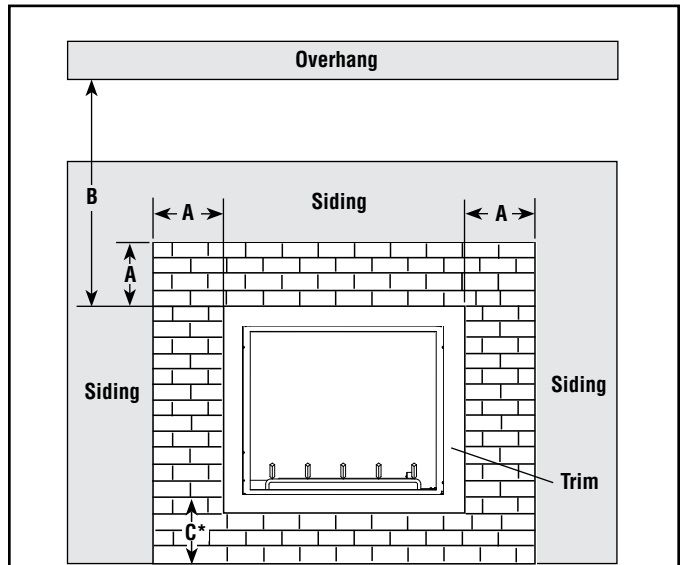
**See Page 7 for Cold Climate Insulation
 and Page 11 for Clearances**



| Sheathing Requirements | | |
|------------------------|------------|------------|
| A | B | C* |
| 12" (305mm) | 7" (178mm) | 6" (152mm) |

**Dimension "C" is clearance required from fireplace base to surface (e.g., deck, patio, lanai) as a moisture barrier (not a combustible clearance) on outdoor side only.*

Figure 53 - Sheathing



| Exterior Minimum Clearances | | | |
|-----------------------------|-------------|-----------------|------------|
| Material | A | B | C* |
| Vinyl | 12" (305mm) | 35-1/2" (902mm) | 6" (305mm) |
| Non-Vinyl | 7" (178mm) | 35-1/2" (902mm) | 6" (305mm) |

**Dimension "C" is clearance required from fireplace base to surface (e.g., deck, patio, lanai) as a moisture barrier (not a combustible clearance) on outdoor side only.*

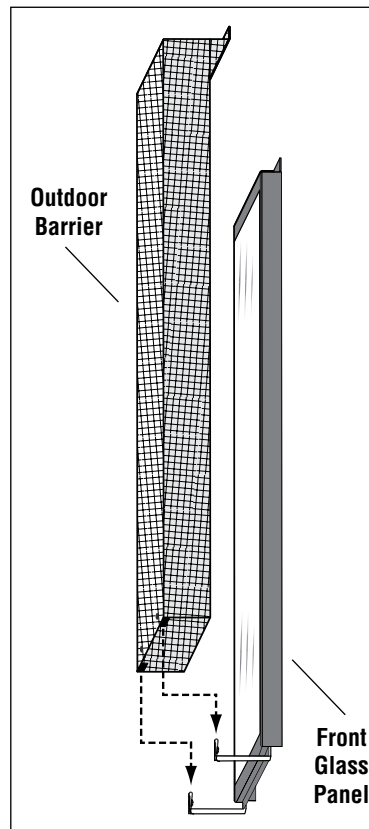
Figure 54 - Exterior Clearances

NOTE: A barrier is supplied with the outdoor kit and is required to be installed.

In units installed outdoors this barrier is constituted by a Outdoor Barrier.

Barrier: H8249

See kit instructions 506019-70 for further information.



OUTDOOR BARRIER INSTALLATION INSTRUCTIONS

NOTE: This procedure requires two people.

- Step 1. If the fireplace is on, turn it OFF. Allow it to cool completely. **BEFORE CONTINUING, FIREPLACE MUST BE OFF AND COLD!**
- Step 2. Remove the two existing screws from the top of the Front Glass Panel.
 NOTE: After removing screws, one person must hold the glass panel in place (to prevent it from falling forward and breaking), while another person completes the installation.
- Step 3. Insert the back lip of each Mounting Bracket (without the hole) under the bottom edge of the Glass Panel.
- Step 4. Attach one Spring Nut Clip (with straight edge facing front and down) to the front lip of each Mounting Bracket, and then align the holes.
- Step 5. Slide the openings in the bottom edge of the Safety Guard over the Spring Nut Clips.
- Step 6. Align the holes in the top of the Outdoor Barrier with the holes in the top of the Front Glass Panel. Use a Phillips screwdriver to replace the two screws previously removed.
 Align the holes in the lower front of the Outdoor Barrier with the holes in the Clips and Brackets. Use a Phillips screwdriver to install the two supplied Washer Screws.

STEP 12. INSTALLER INSTRUCTIONS - ATTACHING SAFETY IN OPERATION WARNINGS

It is the installer's responsibility to ensure these warnings are properly affixed during installation. These warning labels are a critical step in informing consumers of safe operation of this appliance.

ATTACHING SAFETY IN OPERATION WARNINGS

It is required that the set of safety instruction labels that have been furnished with the fireplace be affixed to the operation and control points of the fireplace. A safety instruction label must be affixed to the receiver wall switch plate where the fireplace is turned on and off (See **Figure A**) and on the remote control handheld transmitter (See **Figure B**). To properly complete the installation of this fireplace, locate the multi-lingual adhesive labels provided with the Care and Operation Instructions and proceed as follows:

1. Locate the wall receiver that controls the fireplace (verify the switch operates the fireplace by turning it on and off). Clean the wall receiver plate thoroughly to remove any dust and oils. Affix the label to the surface of the plate of the wall receiver that controls the fireplace (**Figure A**). Choose the language primarily spoken in the home. If unknown, affix the English language label.
2. Locate the remote control transmitter and clean it thoroughly to remove any dust and oils. Affix the label to the surface of handheld transmitter (**Figure B**). Choose the language primarily spoken in the home. If unknown, affix the English language label.
3. If you are unable to locate the labels, please call Innovative Hearth Products or your nearest Innovative Hearth Products dealer to receive additional safety instruction labels free of charge.

Cat. No. H8024 Replacement Label Kit

INNOVATIVE HEARTH PRODUCTS
Austria.us.com

NOTE: English is red text on clear label. French and Spanish are white text on black label.

SAFETY LABEL DIAGRAMS



APPOSITION DES MISES EN GARDE RELATIVES À LA SÉCURITÉ D'UTILISATION

Il est impératif que le jeu d'étiquettes de sécurité qui ont été fournies avec le foyer soient collées à côté des dispositifs de contrôle du foyer. Une étiquette de sécurité doit être collée sur la plaque du récepteur mural contrôlant l'allumage du foyer (voir **Figure A**) et sur le boîtier de la télécommande (**Figure B**). Pour achever l'installation correcte de ce foyer, procédez comme suit avec les étiquettes adhésives en langues étrangères fournies avec les instructions d'utilisation et d'entretien:

1. Repérez le récepteur mural qui contrôle le foyer (vérifiez que l'interrupteur contrôle le fonctionnement du foyer en le faisant basculer de Marche à Arrêt, et vice-versa). Nettoyez soigneusement la plaque du récepteur mural pour éliminer la poussière et les traces de graisse ou d'huile. Collez l'étiquette sur la surface de la plaque du récepteur mural qui contrôle le foyer (**Figure A**). Choisissez la langue qui est principalement parlée dans la résidence du propriétaire. En cas de doute, collez l'étiquette en anglais.
2. Repérez la télécommande et nettoyez-la soigneusement pour éliminer la poussière et les traces de graisse ou d'huile. Collez l'étiquette sur le boîtier de la télécommande (**Figure B**). Choisissez la langue qui est principalement parlée dans la résidence du propriétaire. En cas de doute, collez l'étiquette en anglais.
3. Si vous ne trouvez pas les étiquettes, veuillez appeler Innovative Hearth Products ou votre distributeur Innovative Hearth Products local pour recevoir gratuitement des étiquettes supplémentaires.

Étiquettes de remplacement, n° cat. H8024

INNOVATIVE HEARTH PRODUCTS
Austria.us.com

Remarque : Le texte anglais est rouge sur un support transparent. Le texte français et espagnol est blanc sur un support noir.

DIAGRAMMES DES ÉTIQUETTES DE SÉCURITÉ



COLOCACIÓN DE ADVERTENCIAS DE SEGURIDAD EN OPERACIÓN

Se requiere que el juego de etiquetas de instrucciones de seguridad que se incluyeron con la chimenea se coloque en los puntos de operación y control de la misma. Se debe colocar una etiqueta de instrucciones de seguridad en la placa del interruptor de pared del receptor desde el cual se enciende y se apaga la chimenea (ver la **Figura A**) y en el transmisor de control remoto (ver la **Figura B**). Para completar correctamente la instalación de esta chimenea, encuentre las etiquetas adhesivas multilingües incluidas con las instrucciones de cuidado y operación y haga lo siguiente:

1. Identifique el receptor de pared que controla la chimenea (verifique que el interruptor opera la chimenea encendiéndola y apagándola). Limpie bien la placa del receptor de pared para quitar el polvo y aceite. Pegue la etiqueta en la superficie de la placa del receptor de pared que controla la chimenea (**Figura A**). Seleccione el idioma que más se habla en la casa. Si no sabe cuál es, use la etiqueta en inglés.
2. Identifique el transmisor de control remoto y límpielo bien para quitar el polvo y aceite. Pegue la etiqueta en la superficie del transmisor (**Figura B**). Seleccione el idioma que más se habla en la casa. Si no sabe cuál es, use la etiqueta en inglés.
3. Si no puede encontrar las etiquetas, sírvase llamar a Innovative Hearth Products o al distribuidor de Innovative Hearth Products más cercano para recibir etiquetas de instrucciones de seguridad adicionales gratuitas.

Juego de etiquetas de repuesto - N° de cat. H8024

INNOVATIVE HEARTH PRODUCTS
Austria.us.com

Nota: La etiqueta en inglés es transparente con texto rojo. Las etiquetas en francés y español son negras con texto blanco.

DIAGRAMAS DE ETIQUETAS DE SEGURIDAD



Illustrations are for example only. Your accessories may be different.

Les illustrations sont par exemple uniquement. Vos accessoires peuvent être différents.

Las ilustraciones son sólo ejemplos. Tu accesorios pueden ser diferentes.

Figure A

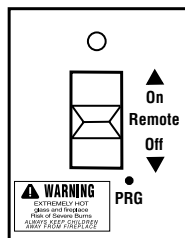
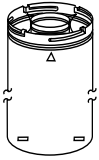
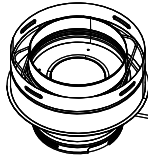
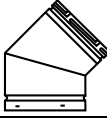
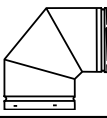
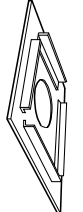
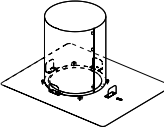
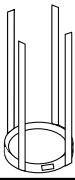
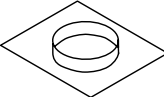

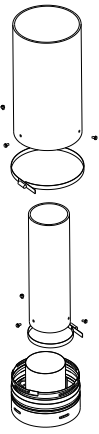
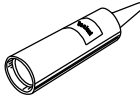



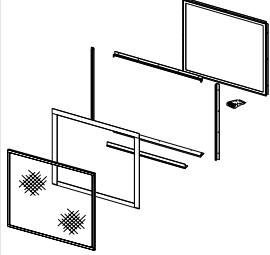
Figure B



INSTALLATION ACCESSORIES

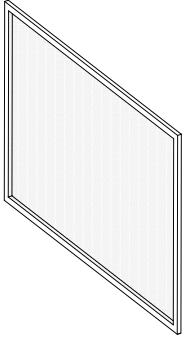
| Listed Secure Vent® Components | | | |
|---|----------|------------|---|
| | Cat. No. | Model No. | Description |
|  | 77L70 | SV4.5L6 | Vent Section, 6 inch (152mm) |
| | 77L71 | SV4.5L12 | Vent Section, 12 inch (305mm) |
| | 77L72 | SV4.5L24 | Vent Section, 24 inch (610mm) |
| | 77L73 | SV4.5L36 | Vent Section, 36 inch (914mm) |
| | 77L74 | SV4.5L48 | 48 inch (1219mm) Vent Section |
| | 77L75 | SV4.5LA | Telescopic Section |
|  | H8313 | — | Adaptor/Probe Assembly |
|  | 77L76 | SV4.5E45 | 45 Degree Elbow |
|  | 77L77 | SV4.5E90 | 90 Degree Elbow |
|  | H2246 | SV4.5HF | Firestop/Spacer, Horizontal (3-1-1 spacing) 10 pack |
| | H2247 | SV4.5VF | Firestop/Spacer, Vertical (1-1-1 spacing) 10 pack |
| The following flashings come packaged with a storm collar: | | | |
|  | H5816 | SV4.5-TWSK | Through Wall Shield Kit (used to shield direct-vent pipe from blown insulation) Ref. doc. P/N 750247M |
|  | 96K93 | SV4.5SU | Support Strap |
|  | 96K92 | SV4.5SP | Support Plate |

| Listed Secure Vent® / Secure Flex® Components | | | |
|---|----------|-----------|---|
| | Cat. No. | Model No. | Description |
|  | H3907 | SV4.5RSA | Attic Insulation Shield (adjustable 12" to 22") |
|  | H7748 | FVK36 | 36" Flex Vent Kit <i>NOTE: Flex attaches to appliance collar at one end and to rigid venting at the other end.</i> |
| | 10K81 | SFMP | Mill-Pac, Black, High-Temperature Sealant |
|  | 89L40 | SFMP-12 | Mill-Pac, Black, High Temperature Sealant (Bulk 12 pack) |
| | 91L66 | SF-GC4-6 | Gear Clamp 4.5 in. (114 mm) for flex (6 pieces) |
|  | 91L67 | SF-GC7-6 | Gear Clamp 7.5 in. (190.5 mm) for flex (6 pieces) |

| Outdoor Kits | | | |
|--|---|-----------------------|--|
|  | F2231 | LSM40ST-ODKSG | Outdoor Window Kit (Light-tinted Glass) With Outdoor Barrier |
| | F2232 | LSM40ST-ODKTSF | Outdoor Window Kit (Dark-tinted Glass) With Outdoor Barrier |
| | <i>(Outdoor Kit Instructions P/N 506019-20)</i> | | |
| H8315 | SG-22 | Barrier Kit (Outdoor) | |

NOTICE: All Montebello® ST Series fireplaces include a barrier to reduce the risk of burns from hot viewing glass. This barrier in the fireplace is a screen shown right.

40" Barrier Cat. No. J7422 (indoor)



GAS CONVERSION KITS

Gas conversion kits are available to adapt your appliance from the use of one type of gas to another. These kits contain all the necessary components needed to complete the task, including labeling that must be affixed to ensure safe operation.

Kit part numbers are listed at right.

Refer to the instructions provided with the conversion kit when performing any gas conversion.

| Gas Conversion Kits | | |
|----------------------------|---------------------|---|
| Kit Model No. | Kit Cat. No. | Description |
| GCK-NP-LSM40ST | H7951 | Natural Gas to Liquid Propane Conversion Kit |
| GCK-PN-LSM40ST | H7952 | Liquid Propane to Natural Gas Conversion Kit |

Table 10 (Gas Conversion Kit Instructions P/N 506020-44)

IMPORTANT SAFETY INFORMATION

Important Safety Information

1. **WARNING: Do not operate appliance with the glass front removed, cracked or broken.**
2. **Do not use this appliance if any part has been under water. Immediately call a qualified service technician to inspect the appliance and to replace any part of the control system and any gas control which has been under water.**
3. **Due to high temperatures, the appliance should be located out of traffic and away from furniture and draperies.**
4. **Children and adults should be alerted to the hazards of high surface temperature and should stay away to avoid burns or clothing ignition.**
5. **Clothing or other flammable material should not be placed on or near the appliance.**
6. **Young children should be carefully supervised when they are in the same room as the appliance. Toddlers, young children, and others may be susceptible to accidental contact burns. A physical barrier is recommended if there are at-risk individuals in the house. To restrict access to a fireplace or stove, install an adjustable safety gate to keep toddlers, young children, and other at-risk individuals out of the room and away from hot surfaces.**
7. **Any safety screen, guard or barrier removed for servicing an appliance must be replaced prior to operating the appliance.**
8. **Installation and repair should be done by a qualified service person. The appliance should be inspected before use and at least annually by a professional service person. More frequent cleaning may be required due to excessive lint from carpeting, bedding material, et cetera. It is imperative that control compartments, burners, and circulating air passageways of the appliance be kept clean. See maintenance instructions on *Page 43*.**

L'information de sûreté importante

1. **AVERTISSEMENT. Ne pas utiliser l'appareil si le panneau frontal en verre n'est pas en place, est craqué ou brisé.**
2. **Ne pas se servir de cet appareil s'il a été plongé dans l'eau, même partiellement. Faire inspecter l'appareil par un technicien qualifié et remplacer toute partie du système de contrôle et toute commande qui ont été plongées dans l'eau.**
3. **En raison des températures élevées, l'appareil devrait être installé dans un endroit où il y a peu de circulation et loin du mobilier et des tentures.**
4. **Les enfants et les adultes devraient être informés des dangers que posent les températures de surface élevées et se tenir à distance afin d'éviter des brûlures ou que leurs vêtements ne s'enflamment.**
5. **On ne devrait pas placer de vêtements ni d'autres matières inflammables sur l'appareil ni à proximité.**
6. **Les jeunes enfants devraient être surveillés étroitement lorsqu'ils se trouvent dans la même pièce que l'appareil. Les tout petits, les jeunes enfants ou les adultes peuvent subir des brûlures s'ils viennent en contact avec la surface chaude. Il est recommandé d'installer une barrière physique si des personnes à risques habitent la maison. Pour empêcher l'accès à un foyer ou à un poêle, installez une barrière de sécurité ; cette mesure empêchera les tout petits, les jeunes enfants et toute autre personne à risque d'avoir accès à la pièce et aux surfaces chaudes.**
7. **Tout écran ou protecteur retiré pour permettre l'entretien de l'appareil doit être remis en place avant de mettre l'appareil en marche.**
8. **L'installation et la réparation devrait être confiées à un technicien qualifié. L'appareil devrait faire l'objet d'une inspection par un technicien professionnel avant d'être utilisé et au moins une fois l'an par la suite. Des nettoyages plus fréquents peuvent être nécessaires si les tapis, la literie, et cetera produisent une quantité importante de poussière. Il est essentiel que les compartiments abritant les commandes, les brûleurs et les conduits de circulation d'air de l'appareil soient tenus propres. Voyez les instructions d'entretien à la *Page 43*.**

Información importante de seguridad

1. **ADVERTENCIA: No opere el artefacto con el frente de vidrio quitado, agrietado o roto.**
2. **No use este artefacto si alguna de sus partes ha estado bajo agua. Llame de inmediato a un técnico de servicio calificado para que inspeccione el artefacto y reemplace cualquier parte del sistema de control y cualquier control de gas que haya estado bajo agua.**
3. **Debido a las altas temperaturas, el artefacto debe situarse fuera de las áreas de tráfico y lejos del mobiliario y cortinas.**
4. **Se debe alertar a los niños y adultos sobre los peligros de las altas temperaturas en la superficie y que se mantengan alejados para evitar quemaduras o ignición de la ropa.**
5. **No debe colocarse ropa u otros materiales inflamables sobre y cerca del artefacto.**
6. **Se debe supervisar de cerca a los niños cuando estén en el mismo cuarto que el artefacto. Los niños pequeños, los jóvenes y otras personas pueden ser susceptibles a quemaduras por contacto accidental. Se recomienda instalar una barrera física si hay personas en riesgo en la casa. Para restringir el acceso a una chimenea o estufa, instale una puerta de seguridad ajustable para mantener a los niños pequeños, jóvenes y otras personas en riesgo fuera del cuarto y lejos de las superficies calientes.**
7. **Cualquier malla o resguardo de seguridad quitado para dar servicio a un artefacto, debe reinstalarse antes de operar el artefacto.**
8. **Una persona de servicio competente debe realizar la instalación y reparación. Una persona de servicio profesional debe inspeccionar el artefacto antes de usar al menos una vez por año. Se puede requerir limpieza más frecuente debido a la pelusa excesiva del alfombrado, del material de cobijas, etc. Es imprescindible mantener limpios los compartimientos de control, los quemadores y los pasajes de circulación del aire del artefacto. Ver las instrucciones de mantenimiento en la *página 43*.**

HOMEOWNER'S INSTRUCTIONS: ATTACHING "SAFETY-IN-OPERATION" WARNINGS

ATTACHING SAFETY-IN-OPERATION WARNINGS

Your fireplace has been furnished with safety instruction labels that are to be affixed to the operation and control points of the fireplace. A safety instruction label should be affixed to the receiver wall switch plate where the fireplace is turned on and off (*See Figure A*) and the remote control handheld transmitter (*Figure B*). The warnings should already have been put in place when the fireplace initial set-up was completed. If they are not affixed at these spots, locate the multi-lingual adhesive labels provided with these instructions and proceed as follows:

1. Locate the wall receiver that controls the fireplace (verify the switch operates the fireplace by turning it on and off). Clean the wall receiver plate thoroughly to remove any dust and oils. Affix the label to the surface of the plate of the wall receiver that controls the fireplace (*Figure A*). Choose the language primarily spoken in the home.
2. Locate the remote control transmitter and clean it thoroughly to remove any dust and oils. Affix the label to the surface of handheld transmitter (*Figure B*). Choose the language primarily spoken in the home.
3. If you are unable to locate the labels, please call Innovative Hearth Products or your nearest Innovative Hearth Products dealer to receive additional safety instruction labels free of charge.

Cat. No. H8024 Replacement Label Kit

INNOVATIVE HEARTH PRODUCTS
Astria.us.com

NOTE: English is red text on clear label. French and Spanish are white text on black label.

APPOSITION DES MISES EN GARDE RELATIVES À LA SÉCURITÉ D'UTILISATION

Votre foyer a été livré avec des étiquettes de sécurité qui doivent être collées à côté des dispositifs de contrôle du foyer. Une étiquette de sécurité devrait être collée sur la plaque du récepteur mural contrôlant l'allumage du foyer (*voir Figure A*) et sur le boîtier de la télécommande (*Figure B*). Les mises en garde auraient dû être collées au moment de l'installation initiale du foyer. Si ce n'est pas le cas, prenez les étiquettes adhésives multilingues fournies avec ces instructions et procédez comme suit:

1. Repérez le récepteur mural qui contrôle le foyer (vérifiez que l'interrupteur contrôle le fonctionnement du foyer en le faisant basculer de Marche à Arrêt, et vice-versa). Nettoyez soigneusement la plaque du récepteur mural pour éliminer la poussière et les traces de graisse ou d'huile. Collez l'étiquette sur la surface de la plaque du récepteur mural qui contrôle le foyer (*Figure A*). Choisissez la langue qui est principalement parlée dans la résidence du propriétaire.
2. Repérez la télécommande et nettoyez-la soigneusement pour éliminer la poussière et les traces de graisse ou d'huile. Collez l'étiquette sur le boîtier de la télécommande (*Figure B*). Choisissez la langue qui est principalement parlée dans la résidence du propriétaire.
3. Si vous ne trouvez pas les étiquettes, veuillez appeler Innovative Hearth Products ou votre distributeur Innovative Hearth Products local pour recevoir gratuitement des étiquettes supplémentaires.

Étiquettes de remplacement, n° cat. H8024

INNOVATIVE HEARTH PRODUCTS
Astria.us.com

Remarque : Le texte anglais est rouge sur un support transparent. Le texte français et espagnol est blanc sur un support noir.

COLOCACIÓN DE ADVERTENCIAS DE SEGURIDAD EN OPERACIÓN

Su chimenea incluye etiquetas de instrucciones de seguridad que deben colocarse en los puntos de operación y control de la chimenea. Se debe colocar una etiqueta de instrucciones de seguridad en la placa del interruptor de pared de pared del receptor desde el cual se enciende y se apaga la chimenea (*ver la Figura A*) y en el transmisor de control remoto (*Figura B*). Las advertencias ya deben haberse colocado cuando se completó la instalación inicial de la chimenea. Si no están colocadas en estos lugares, encuentre las etiquetas adhesivas multilingües proporcionadas con estas instrucciones y prosiga de la siguiente manera:

1. Identifique el receptor de pared que controla la chimenea (verifique que el interruptor opera la chimenea encendiéndola y apagándola). Limpie bien la placa del receptor de pared para quitar el polvo y aceite. Pegue la etiqueta en la superficie de la placa del receptor de pared que controla la chimenea (*Figura A*). Seleccione el idioma que más se habla en la casa.
2. Identifique el transmisor de control remoto y límpielo bien para quitar el polvo y aceite. Pegue la etiqueta en la superficie del transmisor (*Figura B*). Seleccione el idioma que más se habla en la casa.
3. Si no puede encontrar las etiquetas, sírvase llamar a Innovative Hearth Products o al distribuidor de Innovative Hearth Products más cercano para recibir etiquetas de instrucciones de seguridad adicionales gratuitas.

Juego de etiquetas de repuesto - N° de cat. H8024

INNOVATIVE HEARTH PRODUCTS
Astria.us.com

Nota: La etiqueta en inglés es transparente con texto rojo. Las etiquetas en francés y español son negras con texto blanco.

SAFETY LABEL DIAGRAMS



DIAGRAMMES DES ÉTIQUETTES DE SÉCURITÉ



DIAGRAMAS DE ETIQUETAS DE SEGURIDAD



Illustrations are for example only. Your accessories may be different.

Les illustrations sont par exemple uniquement. Vos accessoires peuvent être différents.

Las ilustraciones son sólo ejemplos. Tu accesorios pueden ser diferentes.

Figure A

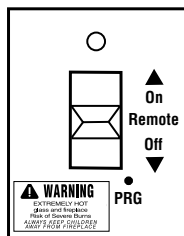


Figure B



APPLIANCE INSTALLATION, SERVICE, AND MAINTENANCE NOTICES

WARNING

Improper installation, adjustment, alteration, service or maintenance can cause injury or property damage. Refer to this manual. For assistance or additional information consult a qualified installer, service agency or the gas supplier.

AVERTISSEMENT

Une installation, un réglage, une modification, une réparation ou un entretien mal effectué peut causer des dommages matériels ou des blessures. Voir la notice de l'utilisateur qui accompagne l'appareil. Pour de l'aide ou des renseignements supplémentaires, consultez un installateur, un technicien agréé ou le fournisseur de gaz.

Only trim kit(s) supplied by the manufacturer shall be used in the installation of this fireplace.

Seules des portes certifiées pour cet appareil doivent être utilisées.

These appliances must not be connected to a chimney or flue serving a separate solid fuel burning appliance.

Any change to this appliance and/or its operating controls is dangerous. Improper installation or use of this appliance can cause serious injury or death from fire, burns, explosion or carbon monoxide poisoning.

CARBON MONOXIDE POISONING: Early signs of carbon monoxide poisoning are similar to the flu with headaches, dizziness and/or nausea. If you have these signs, obtain fresh air immediately. Turn off the gas supply to the appliance and have it serviced by a qualified professional, as it may not be operating correctly. Some people are more affected by carbon monoxide than others, including pregnant women, people with heart or lung disease

or anemia, those under the influence of alcohol, and those at high altitudes.

Turn off gas and electrical power to the appliance and allow it to cool before cleaning or servicing the appliance.

If the barrier becomes damaged, the barrier shall be replaced with the manufacturer's barrier for this appliance.

Si l'écran est endommagé, il doit être remplacé par celui fourni par le fabricant de cet appareil.

For use with barrier Part No. J7422. Follow installation instructions.

Reinstall any barrier removed before operating the appliance. The barrier is designed to reduce the risk of burns from hot glass. Do not operate the appliance without the barrier installed.

APPLIANCE OPERATION NOTICES

These fireplaces are vented gas appliances. Do not burn wood or other material in these appliances.

These appliances are designed to operate on natural gas or propane gas only. The use of other fuels or combinations of fuels will degrade the performance of this system and may be dangerous.

Provide adequate clearances around air openings and adequate accessibility clearance for service and proper operation. Never obstruct the front openings of the appliance.

These appliances are designed as supplemental heaters. Therefore, it is advisable to have an alternate primary heat source when installed in a dwelling.

WARRANTY INFORMATION

Your gas appliance is covered by a limited lifetime warranty. You will find a copy of the warranty accompanying this manual. Please read the warranty to be familiar with its coverage.

Retain this manual. File it with your other documents for future reference.

Failure to comply with the installation and operating instructions provided will result in an improperly installed and operating appliance, voiding its warranty.

Do not attempt to alter or modify the construction of the appliance or its components. Any modification or alteration may void the warranty, certification, and listings of this unit.

IMPORTANT SAFETY AND WARNING INFORMATION

CAUTION

Hot while in operation. Do not touch. Severe Burns may result. Keep children, clothing furniture, gasoline and other liquids having flammable vapors away.

ATTENTION

L'appareil est chaud lorsqu'il fonctionne. Ne pas toucher l'appareil. Risque de brûlures graves. Surveiller les enfants. Garder les vêtements, les meubles, l'essence ou autres liquides produisant des vapeurs inflammables loin de l'appareil.

GENERAL INFORMATION

The fireplace models covered in this manual are direct-vent, sealed combustion gas fireplaces designed for residential application. Direct-vent appliances operate with the combustion chamber completely isolated from the indoor environment.

All air for combustion is brought in from the outside, and exhaust gases are vented through the same direct-vent, coaxial (intake/exhaust) vent system.

These appliances are designed to operate on natural or propane gas (propane units are available as a field conversion only). The system is switchable between standing and intermittent pilot modes. External electrical power is required to operate these units.

These models come standard with a remotely modulated gas valve. The included transmitter remotely controls flame appearance and heat output (manual gas valve adjustment is not possible).

These appliances comply with National Safety Standards and are tested and listed by PFS (Report No. F14-107) to ANSI Z21.88 (in Canada, CSA-2.33), and CAN/CGA-2.17-M91 (CSA P4.1) in both USA and Canada, as a vented gas fireplace.

The installation must conform to local codes or, in the absence of local codes, with the National Fuel Gas Code, ANSI Z223.1/NFPA 54 - latest edition, or the Natural Gas and Propane Installation Code, CAN/CGA-B149.1 - latest edition. The appliance, when installed, must be electrically grounded in accordance with local codes or, in the absence of local codes, with the National Electrical Code, ANSI/NFPA 70 - latest edition, or the Canadian Electrical Code, CSA C22.1 - latest edition.

Inputs and Efficiencies

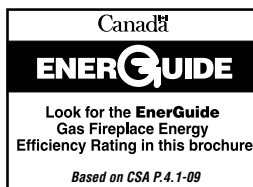
Appliance BTU inputs are listed in **Table 11A**. Appliance efficiencies are listed in **Table 11B**.

| INPUTS | |
|--|-------------------------|
| Gas Type | Inputs |
| Natural Gas | 40,000 to 60,000 BTU/hr |
| Liquid Propane (field-converted to LP) | 43,500 to 56,000 BTU/hr |

Table 11A

| EFFICIENCIES | | |
|----------------------------|------|-----------|
| Gas Type (Fireplace Model) | AFUE | EnerGuide |
| Natural Gas | 68% | 62% |

Table 11B



Gas Pressure Requirements (All Models)

Tables 12 and 13 show the appliances' gas pressure requirements.

| Inlet Gas Supply Pressure (all models) | | |
|--|---------------------|---------------------|
| Fuel # | Minimum | Maximum |
| Natural Gas | 5.0" WC (1.24 kPa) | 10.5" WC (2.61 kPa) |
| Liquid Propane* | 11.0" WC (2.74 kPa) | 13.0" WC (3.23 kPa) |

Table 12 *Available as field conversion only.

| Manifold Gas Supply Pressure (all models) | | |
|---|-------------------------|--------------------------|
| Fuel # | Low | High |
| Natural Gas | (Lo) 1.6" WC (0.4 kPa) | (Hi) 3.5" WC (0.87 kPa) |
| Liquid Propane* | (Lo) 6.3" WC (1.57 kPa) | (Hi) 10.0" WC (2.49 kPa) |

Table 13 *Available as field conversion only.

Test gauge connections are provided on the front of the gas control valve, identified IN for the inlet and OUT for the manifold side (see **Figure 13** on **Page 39**). The control valve has a 3/8" (10 mm) NPT thread inlet and outlet side of the valve.

The appliance and its appliance main gas valve must be disconnected from the gas supply piping system during any pressure testing of that system at test pressures **in excess of** 1/2 psi (3.5 kPa).

The appliance must be isolated from the gas supply piping system by closing its equipment shutoff valve during any pressure testing of the gas supply piping system at test pressures **equal to or less than** 1/2 psi (3.5 kPa).

Orifice Sizes:

Sea Level to High Altitude (All Models)

These appliances are tested and approved for installations at elevations of 0–4500 feet (0–1372 meters) above sea level using the standard burner orifice sizes (see **Table 14**).

For higher elevations, contact your gas supplier or qualified service technician.

| Burner Orifice Sizes (USA and Canada) Elevation 0-4500 ft (0-1372 m) | |
|--|----------------------------------|
| Natural Gas Drill size (inches) | Propane Drill size (inches) |
| #32 (0.116") ① [Cat. No. H8002] | #52 (0.0635") ② [Cat. No. H8003] |

① Standard size installed at factory.
② Standard size in LP conversion kit.

Table 4

Deration

At the time of installation, it must be determined if the appliance needs to be derated. Contact your local gas supplier for deration requirements for your area.

At higher elevations, the amount of BTU fuel value delivered must be reduced by either using gas that has been derated by the gas company or by changing the burner orifice to a smaller size as regulated by the local authorities having jurisdiction and by the (USA) National Fuel Gas Code NFPA 54/ANSI Z223.1 - latest edition or, in Canada, the CAN/CGA-B149.1 codes - latest edition.

Burn-in Period

During the first few fires of this appliance there will be some odor due to the curing of the paint and burning off of lubricants used in the manufacturing process. Depending on your use, the burn-in period may take a few hours or a few days.

KEEP YOUR HOUSE WELL VENTILATED DURING THE CURING PROCESS. THE ODOR AND HAZE EMITTED DURING THE CURING PROCESS CAN BE QUITE NOTICEABLE AND MAY SET OFF A SMOKE DETECTOR.

NOTICE: A white film may develop on the glass enclosure panel during the first few fires as part of the burn-in process.

The first few times you use the fireplace, clean the glass after each use (AFTER THE GLASS HAS COMPLETELY COOLED); otherwise, the white film will bake onto the glass and become difficult to remove.

See glass cleaning instructions on **Page 43**.

OPERATION AND CARE OF YOUR APPLIANCE

WARNING

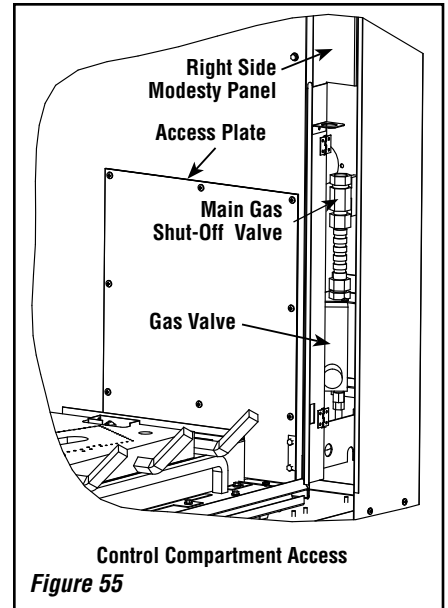
Young children should be carefully supervised when they are in the same room as the appliance. Toddlers, young children and others may be susceptible to accidental contact burns. A physical barrier is recommended if there are at risk individuals in the house. To restrict access to a fireplace or stove, install an adjustable safety gate to keep toddlers, young children and other at risk individuals out of the room and away from hot surfaces.

AVERTISSEMENT

Les jeunes enfants devraient être surveillés étroitement lorsqu'ils se trouvent dans la même pièce que l'appareil. Les tout petits, les jeunes enfants ou les adultes peuvent subir des brûlures s'ils viennent en contact avec la surface chaude. Il est recommandé d'installer une barrière physique si des personnes à risques habitent la maison. Pour empêcher l'accès à un foyer ou à un poêle, installez une barrière de sécurité; cette mesure empêchera les tout petits, les jeunes enfants et toute autre personne à risque d'avoir accès à la pièce et aux surfaces chaudes.

Gas Controls

The gas controls and standard controls for appliance operation are located on the right side of the appliance (when facing the control side), as shown in *Figure 1*.



Control Compartment Access
Figure 55

Appliance Operation

Familiarize yourself with the gas control valve that your appliance uses. Refer to *Figure 11* for access to the gas control valve.

To light the appliance, refer to the detailed lighting instructions (see *Pages 52 and 53*). The appliance lighting instructions may also be found on the pull out lighting instruction labels attached to the gas control valve.

These appliances are installed with a power vent termination that has an exhaust blower that expels the exhaust gases from the venting system (see *Figure 12, at right*, and "Purge Cycle," *below*).

PURGE CYCLE

This is a power-vented fireplace that requires household electrical power to operate. When the fireplace is turned OFF, the exhaust blower will continue to operate for up to two minutes, to purge exhaust gases from the venting system. This system will not operate during a power outage.

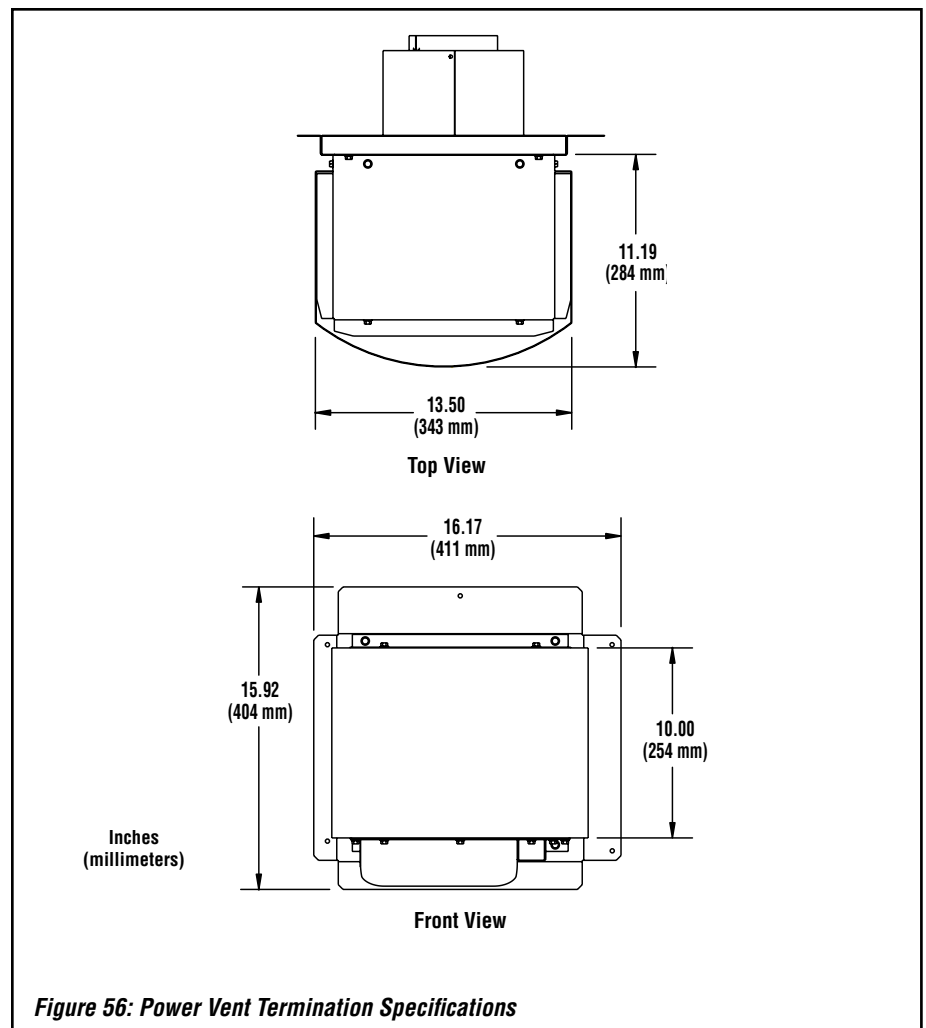


Figure 56: Power Vent Termination Specifications

NOTE: DIAGRAMS & ILLUSTRATIONS ARE NOT TO SCALE.

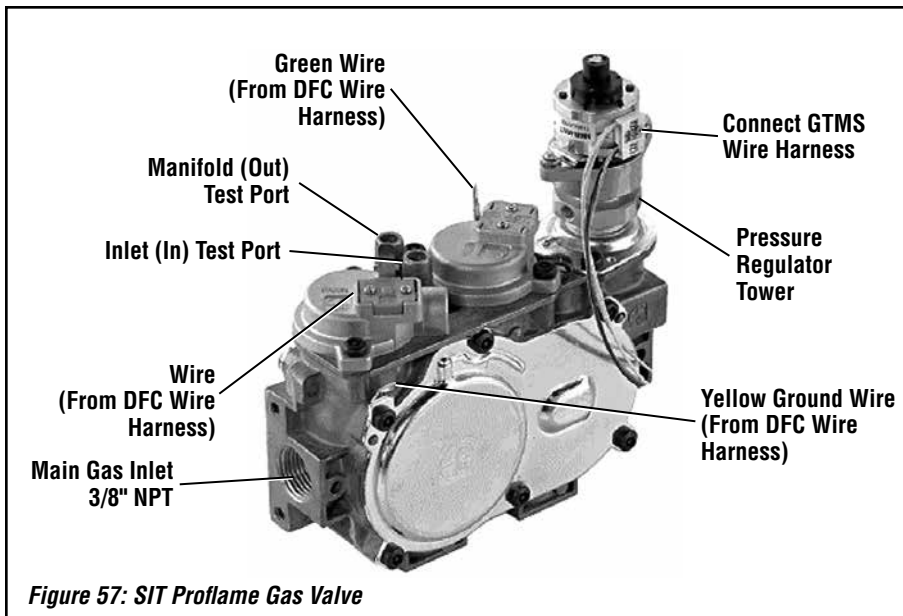


Figure 57: SIT Proflame Gas Valve

Remote Control System

The Remote Control System allows you to command the functions of your fireplace from the comfort of your chair. It is configured to control the On/Off primary burner operation and flame levels (through six levels) and provide On/Off and Smart control of this appliance.

The receiver connects directly to the gas valve, stepper motor with an umbilical cord wiring harness (see wiring diagram on **Page 44**).

The Receiver is powered by 4 AA type batteries, located within.

The Receiver accepts commands via radio frequency from the Transmitter and does not require line-of-sight operation.

The Receiver three-position slider switch can be set to one of three positions: ON (Manual Override), REMOTE (Remote Control), or OFF.

Initializing the System for the First Time

Install the 4 AA batteries into the receiver battery bay (behind the wall switch plate).

NOTE: Install the batteries into the battery bay as indicated on the battery cover. Ensure that batteries are installed with proper polarity (+/-).

Place the three-position slider switch in the "Remote" position (see **Figure 58, next page**). Using the end of a paper clip, or other similar object, insert the end of the paper clip into the hole marked "PRG" on the Receiver front cover. The Receiver will "beep" three (3) times to indicate that it is ready to synchronize with a Transmitter.

Install the 3 AAA type batteries in the Transmitter battery bay, located on the base of the Transmitter. With the batteries already installed in the Transmitter, push the ON button. The Receiver will "beep" four times to indicate the Transmitter's command is accepted and sets to the particular code of that Transmitter. The system is now initialized.

Low Battery Power Detection

The life span of the Receiver batteries depends on various factors: quality of the batteries used, the number of ignitions of the appliance, the number of changes to the room temperature set point, etc.

When the Receiver batteries are low, no "beep" will be emitted from the Receiver when it receives an ON/OFF command from the Transmitter. This is an alert for a low battery condition for the Receiver. When the batteries are replaced the "beep" will be emitted from the Receiver when the ON/OFF key is pressed (See "Initializing the System for the First Time," **at left**).

When the transmitter batteries are low, a battery icon will appear on the LCD display of the transmitter before all battery power is lost. When the batteries are replaced this icon will disappear.

WARNING

Fire Hazard. Risk of severe injury or death. The Receiver causes ignition of the appliance. The appliance can turn on suddenly. Keep away from the appliance burner when operating the Remote Control System or when activating manual bypass of the Remote Control System.

CAUTION: Property damage hazard. Excessive heat can cause property damage. The appliance can stay lit for many hours. Turn off the appliance if it is not going to be attended for any length of time. Always place the Transmitter where children can not reach it.

Temperature Indicator Display

With the system in the "OFF" position, press the Room Temperature Key and the Mode Key at the same time (see **Figure 59, next page**). Look at the LCD screen on the Transmitter to verify that a C or F is visible to the right of the Room Temperature display (see **Figure 60, next page**).

Turn ON the Appliance

With the receiver switch in the "Remote" position, press the ON/OFF Key on the Transmitter. The Transmitter display will show all active icons on the screen. At the same time, the Receiver connects to the gas valve coil and the appliance main burner turns on. A single "beep" from the Receiver will confirm reception of the command.

Turn OFF the Appliance

Press the ON/OFF Key on the Transmitter. The Transmitter LCD display will only show the room temperature and Icon. At the same time, the Receiver disconnects the gas valve coil and the appliance burner turns off. A single "beep" from the Receiver confirms reception of the command.

Remote Flame Control

The system has six (6) flame levels. See **Figure 61 (next page)** for an example. With the system on, and the flame level at the maximum in the appliance, pressing the DOWN Arrow Key once will reduce the flame height by one step until the flame is turned off.

The UP Arrow Key will increase the flame height each time it is pressed. If the Up Arrow Key is pressed while the system is on but the flame is off, the flame will come on in the high position (see **Figure 62, next page**). A single "beep" will confirm reception of the command.

Key Lock

This function will lock the keys to prevent unsupervised operation. To activate this function, press the MODE and UP keys at the same time. To deactivate this function, press the MODE and UP keys at the same time.

Manual Bypass of the Remote System

If the batteries of the Receiver or Transmitter are low or depleted, the appliance can be turned on manually by sliding the three position slider switch to the ON position. This will bypass the remote control feature of the system and the appliance main burner will come on if the gas valve is in the "ON" position.

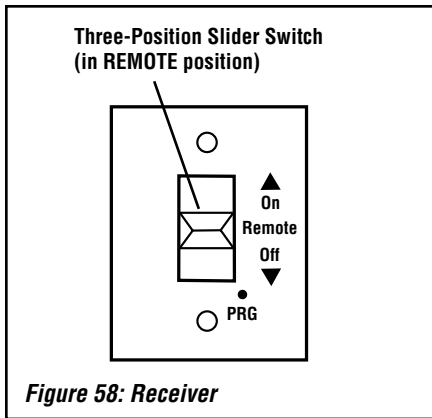


Figure 58: Receiver

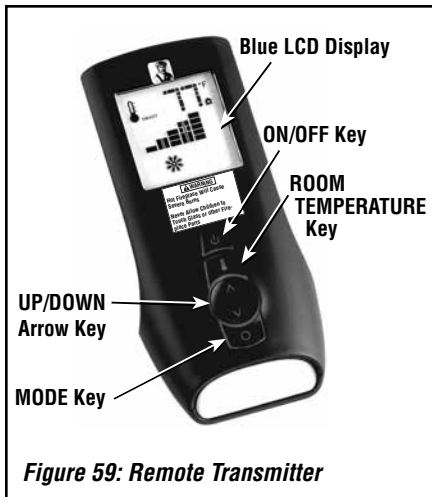


Figure 59: Remote Transmitter

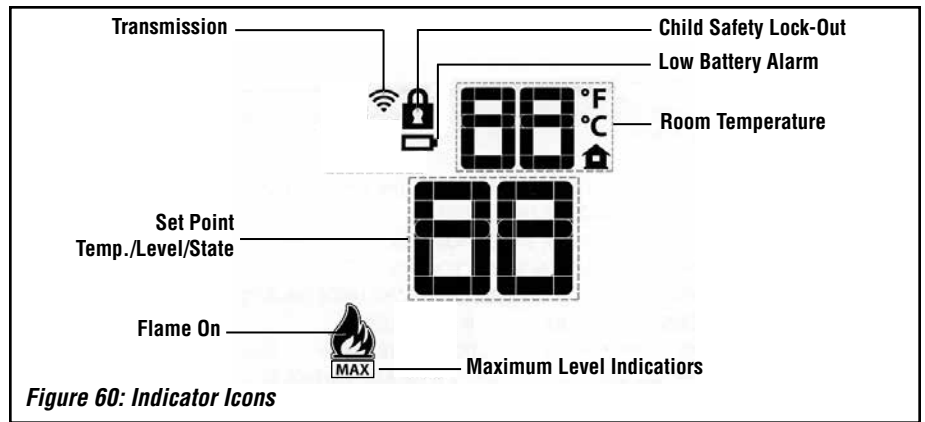


Figure 60: Indicator Icons

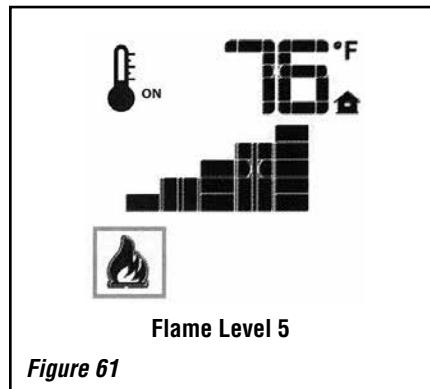


Figure 61

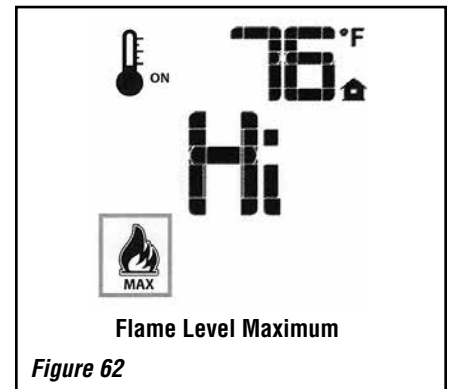


Figure 62

POWER VENT APPLIANCE OPERATING INSTRUCTIONS

To turn ON the Appliance:

Using the Receiver: Manually slide the three-position slider to the "ON" position.

Using the Remote Transmitter: Manually slide the three-position slider on the Receiver to the "ON" position, and then press the ON/OFF key on the Remote Transmitter.

The blower should start immediately. The igniter will start sparking, and then the pilot will light. After a few seconds, the burner should light.

To turn OFF the Appliance:

Using the Receiver: Manually slide the three-position slider to the "OFF" position.

Using the Remote Transmitter: Press the ON/OFF key.

The burner and pilot should turn off immediately. The blower will continue to run for about 90 seconds and then stop.

MAINTENANCE

(See Maintenance Schedule, Page 54)

Refer to the maintenance schedule for maintenance tasks, procedures, frequency and by whom they should be performed. Always verify proper operation of the appliance after servicing.

WARNING

Turn off gas and electrical power to the fireplace and allow it to cool before cleaning or servicing the appliance.

CAUTION: Wear gloves and safety glasses for protection while doing required maintenance.

Verify proper operation after servicing.

S'assurer que l'appareil fonctionne adé-quatement une fois l'entretien terminé.

Always turn OFF gas to the pilot before cleaning. Before relighting, refer to the lighting instructions in this manual. Instructions are also found on a pull-out panel located in the control compartment.

Inspect Venting System

The appliance and venting system should be thoroughly inspected before initial use and at least annually by a qualified service technician (inspection should include ensuring that exhaust or intake passages are unobstructed and vent components are properly assembled and not damaged). **Homeowner must contact a qualified service technician at once if any abnormal condition is observed.**

If the venting system is disassembled for any reason, a qualified service technician should follow vent installation instructions for proper reassembly and proper sealing of the venting system components. However, more frequent periodic inspections and cleanings should be performed by the homeowner.

Glass Cleaning

(For detailed glass door assembly removal/installation instructions, see Page 44.)

NOTE: Clean glass after first two weeks of operation (after burn-in period is over) and then only when necessary and ONLY WHEN THE APPLIANCE IS COOL. Wipe surface with clean, dampened, soft cloth. Follow with dry, soft towel as desired. Take care not to scratch the glass surface.

IMPORTANT: Do not use abrasive cleaners on glass. Never clean the glass when it is hot.

Clean the glass periodically, to remove any buildup caused by the following:

- *Filmy coating (during initial use after installation).* Initial curing of the high temperature paint and burning off of lubricants used in the manufacturing process may result in a filmy coating on the glass.
- *Dusty or dirty buildup.* It is normal for condensation and fog to form on the inside of the glass when first starting the appliance. This condensation and fog will usually disappear within a few minutes; however, over time the moisture can cause lint, dust, and other airborne particles to cling to the glass surface.
- *White coating.* A white coating may form on the glass as a result of impurities and minerals in the fuel.

It is recommended that the glass be cleaned two or three times during each heating season, depending on the circumstances. The following cleaning solutions are approved for use to clean the glass:

- Non-ammonia based household cleaner
- 50% white vinegar and 50% water
- Gas fireplace/stove glass cleaner

Inspect Glass Gasket

Visually inspect the gasket on the backside of the glass enclosure panels. The gasket surface must be clean, free of irregularities and seated firmly.

Clean Control Compartment

Keep control compartment clean by vacuuming or brushing at least twice a year. More frequent cleaning may be required due to excessive lint from carpeting, bedding materials, etc. It is important that control compartments, burners and circulating air passageways of the appliance be kept clean.

Clean Logs and Burner

Carefully remove the logs (use care when handling the fiber logs, as they become quite fragile after curing). Vacuum out any foreign matter (lint, carbon, etc.) on the burner. Ensure the burner ports are "open." Remove any carbon deposits from the under side of the logs using a vacuum cleaner, or a soft bristled brush (i.e. paint brush).

NOTE: Improper positioning of logs can create carbon build-up and will alter the performance of the appliance.

Replacing Logs

If the logs become damaged by accident or improper handling and need replacement, use only the proper replacement logs from manufacturer (see Pages 49, 57, and 58 for ordering information).

Reinstall Embers, Volcanic Stone, and Logs

Carefully follow placement instructions on Pages 13–15. All logs should fit onto corresponding pins and/or log stoppers. This will ensure a proper flame and safe combustion.

Inspect Wiring

Refer to wiring diagram on Page 49.

CAUTION: Label all wires prior to disconnection when servicing controls. Wiring errors can cause improper and dangerous operation. Verify proper operation after servicing.

ATTENTION: Au moment de l'entretien des commandes, étiquetez tous les fils avant de les débrancher. Des erreurs de câblage peuvent entraîner un fonctionnement inadéquat et dangereux.

Inspect and clean all wire connections. Ensure that there is no melting or damage. Inspection should include terminals at the valve.

Inspect Burner Flame and Pilot Flame Appearance

Periodically do a visual check of the burner flame and the pilot flame. Ensure that the burner flame appearance resembles the flame shown in Figures 75 and 76 and as described in Flame Appearance and Sooting on Page 48. Refer to Figure 36 on Page 25 for more information about the pilot flame appearance. Contact a qualified service technician at once if any abnormal condition is observed.

Small Area Paint Touch-up

Only use a factory supplied paint kit for touch-ups. Paint is available at your local Innovative Hearth Products dealer. Never attempt to paint a hot fireplace.

If the surface later becomes stained or marred, it may be lightly sanded and touched up with spray paint.

REMOVAL AND INSTALLATION OF GLASS DOORS, MESH PULL SCREENS, AND MODESTY PANEL

⚠ WARNING

HOT GLASS WILL CAUSE BURNS.
 DO NOT TOUCH GLASS UNTIL COOLED.

- Install only when fireplace is OFF and COLD.
- Fireplace surfaces get EXTREMELY HOT!
- The glass on the front of the fireplace reaches EXTREMELY HIGH temperatures and can cause severe burns if touched. Even after the gas is turned off, fireplace surfaces remain extremely hot.

⚠ CAUTION

RISK OF PERSONAL INJURY OR PROPERTY DAMAGE.

- Do NOT abuse glass doors by striking or slamming shut
- Never operate fireplace with glass door assemblies removed.

These direct-vent appliances are designed to operate only when both glass door assemblies are installed. Generally, the glass door assemblies should not be removed, except when access to components within the firebox is required.

- Securely tighten door latch screws when reinstalling glass door assemblies to prevent doors from falling out.
- Handle glass door assemblies with extreme care. Replace damaged glass door assemblies with approved replacement assemblies only.

The door assemblies on this fireplace contain ceramic glass. Handle with care to prevent damage. If the door frame or glass on either assembly becomes damaged, replace the entire glass door assembly with a manufacturer-approved replacement assembly only. Do not attempt to substitute any materials used on door assemblies or replace cracked or broken glass with any other materials.

⚠ WARNING

The door should easily close without needing to be pressed down. If it has to be pressed down to close, the gasket in the top of the door should be dressed so it lays on the glass.

⚠ WARNING

Any safety screen or guard removed for servicing the appliance must be replaced prior to operating the appliance.

⚠ AVERTISSEMENT

Tout écran ou protecteur retiré pour permettre l'entretien de l'appareil doit être remis en place avant de mettre l'appareil en marche.

Removing Glass Doors, Barrier, and Modesty Panel (see Figure 9)

- 1) Remove the barrier, as follows:
 - a) Lift barrier up by the frame at the top.
 - b) Remove lower filler piece by pulling down off of the barrier.
 - c) Lower barrier and push barrier to left to release right side. Remove barrier and set aside for reinstallation
- 2) Remove the modesty panel from the top flange of the glass door by firmly pulling up on it with both hands until it is disengaged.
- 3) Remove one of the glass doors, as follows:
 - a) See **Figure 9**. While holding the top of the glass door frame in place, use a #3 Phillips screwdriver to remove the two (2) screws securing the door frame to the two (2) door latches.
 - b) Carefully tilt the top of the glass door frame away from the unit (as shown in **Figure 9**), and then lift the door assembly up and out of the lower track.
 - c) Carefully place the glass door assembly on a padded surface in a safe location to prevent damage.

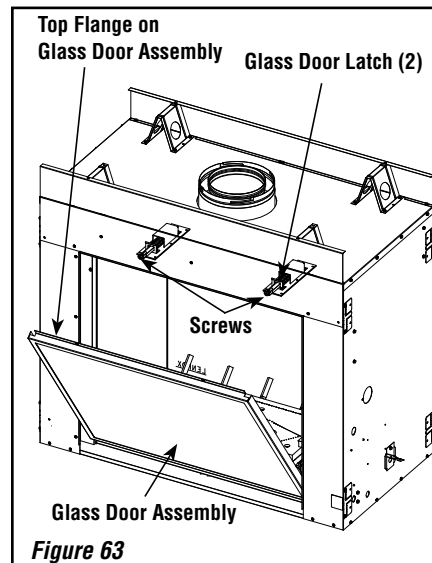


Figure 63

NOTE: DIAGRAMS & ILLUSTRATIONS ARE NOT TO SCALE.

⚠ WARNING

Do not operate appliance with the glass front removed, cracked or broken.

⚠ AVERTISSEMENT

Ne pas utiliser l'appareil si le panneau frontal en verre n'est pas en place, est craqué ou brisé.

Installing Glass Doors, Barrier, and Modesty Panel (see Figure 63)

NOTE: These instructions do NOT apply to the Outer Glass Door provided in the Outdoor Kit (for indoor/outdoor installations).

- Only doors certified with the appliance shall be used.
 - Seules des portes certifiées pour cet appareil doivent être utilisées.
- 1) Install one of the glass doors, as follows:
 - a) Retrieve the glass door. Visually inspect the gasket on the back of the frame. Gasket surface must be clean, free of irregularities, and seated firmly.
 - b) Position the door in front of the firebox opening, with the top of the door held away from the fireplace (see **Figure 63**).
 - c) Lower the bottom of the door assembly onto the bottom door track, engaging and centering it in the base channel, and then gently swing the door up.
 - d) Using a #3 Phillips screwdriver, fasten the door frame to the door latches with the two (2) latch screws. The latches should pull forward to engage the door frame.

NOTE: Securely tighten latch screws when reinstalling glass door assembly.
 - 2) Install the modesty panel on the top flange of the glass door, as follows:
 - a) Grasp the modesty panel with both hands (with the open hem facing down).
 - b) Engage it with the top flange of the glass door frame by pushing it all the way down. Make sure the installed modesty panel is firmly in place.
 - 3) Install the barrier, as follows:
 - a) Slide the barrier, flat side toward the fireplace, into the right barrier bracket with gap below.
 - b) Reinsert the lower filler piece by sliding the tab behind the barrier.
 - c) Center the barrier between the left and right barrier brackets and lower the barrier until the lower filler piece and barrier are flush with the bottom of the glass door.

PLACEMENT OF VOLCANIC STONE, GLOWING EMBERS, AND LOGS

1. Remove glass door and barrier from one side of fireplace only (see [Page 44](#)).
2. Locate materials (log set, bag of glowing embers, and bags of volcanic stone).

NOTE: LOGS ARE FRAGILE! Handle with care to prevent breakage.

3. Install volcanic stone. Place some of the volcanic stone on the firebox floor around the grate (the entire bag of volcanic stone will NOT be used).

NOTE: Do NOT place volcanic stone on burner.

4. Prepare and install glowing embers.

NOTE: This appliance is provided with enough glowing ember material for several applications. Do NOT use the entire contents of a new bag at one time.

- a) Separate some of the glowing ember material into pieces **about the size and thickness of a dime** (see [Figure 64](#)). Keep the pieces fluffed up, not matted.

⚠ IMPORTANT! Ember pieces must be as **SMALL** and **THIN** as a dime.

- b) Distribute the dime-sized pieces over the surface of the burner, in the areas shown in [Figures 65 and 66](#).

NOTE: To prevent flame impingement and soot, do not use more ember material than necessary.

- c) For best glowing effect, replace ember material annually.

NOTE: Use only catalog number **H8312** Glowing Embers with this fireplace.

⚠ WARNING

- **DO NOT** attempt to install the logs until the appliance installation has been completed, the gas line connected and tested for leaks, and the initial burner operation has been checked out.
- Logs get very hot and will remain hot up to one hour after gas supply is turned off. Handle only when logs are cool. Turn off all electricity to the appliance before you install volcanic stone, embers and logs.
- The size and position of the log set was engineered to give the appliance a safe, reliable and attractive flame pattern. Any attempt to use a different log set in the fireplace will void the warranty and will result in incomplete combustion, sooting, and poor flame quality.
- This appliance is not designed to burn wood. Any attempt to do so could cause irreparable damage to the appliance and prove hazardous to your safety.
- If logs are not installed according to the log installation instructions, flame impingement and improper combustion could occur and result in soot and/or excessive production of carbon monoxide (CO), a colorless, odorless, toxic gas.

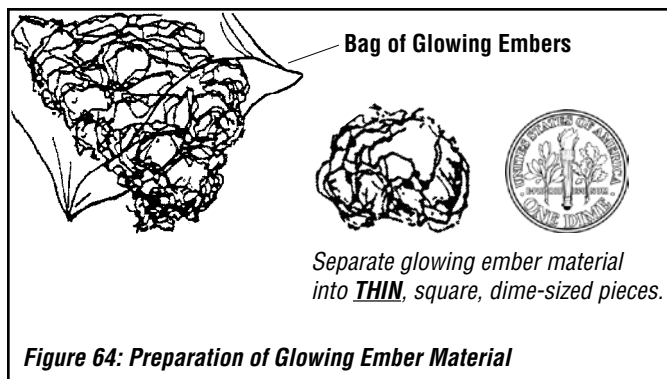


Figure 64: Preparation of Glowing Ember Material

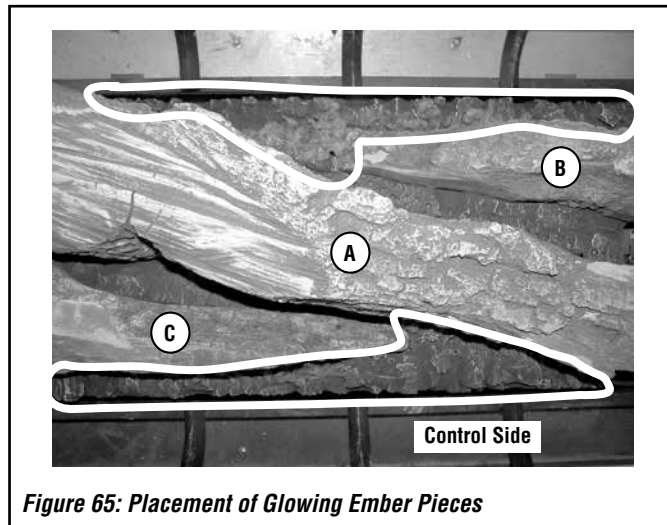


Figure 65: Placement of Glowing Ember Pieces

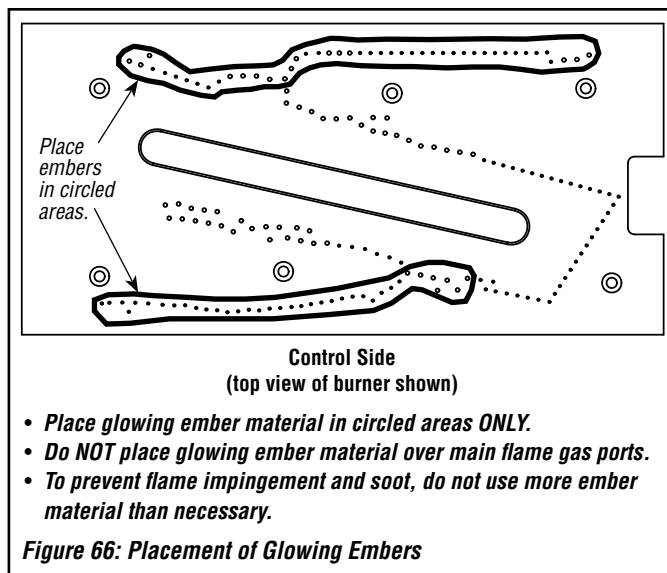


Figure 66: Placement of Glowing Embers

NOTE: It is important to ensure proper log placement per the manual when installing these units. Verify pilot flame is not obstructed. See [Verifying Appliance Operation on Page 25](#).

5. Install logs (reference **Figure 13** and **Table 5**).

NOTE: Logs are FRAGILE! Handle with care to prevent breakage.

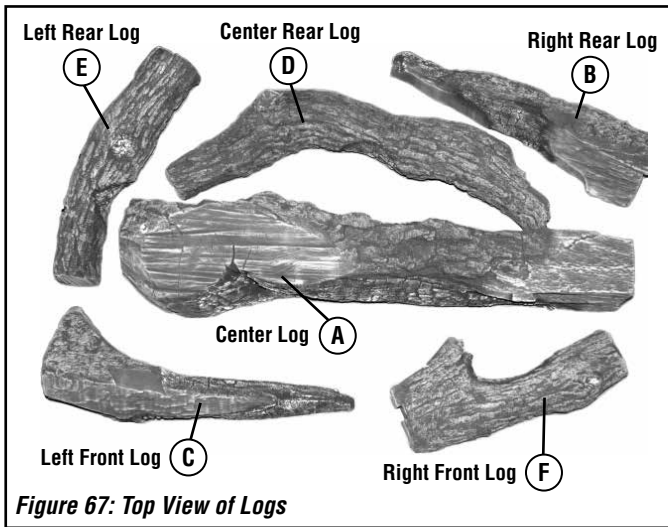


Figure 67: Top View of Logs

| LOG SET | | | |
|---------|-----------------|-------|----------------|
| Item* | Description | Item* | Description |
| A | Log, Center | D | Log, Top Right |
| B | Log, Right Rear | E | Log, Top Left |
| C | Log, Left Front | F | Log, Top Front |

*Item letters correspond to photos.

| FIREBOX ACCESSORIES/PARTS | | |
|---------------------------|-------|--------------------------------|
| Cat. No. | Model | Description |
| H8312 | PGE | Bag of Platinum Glowing Embers |
| 80L42 | FDVS | Bag of Volcanic Stone |

Table 5

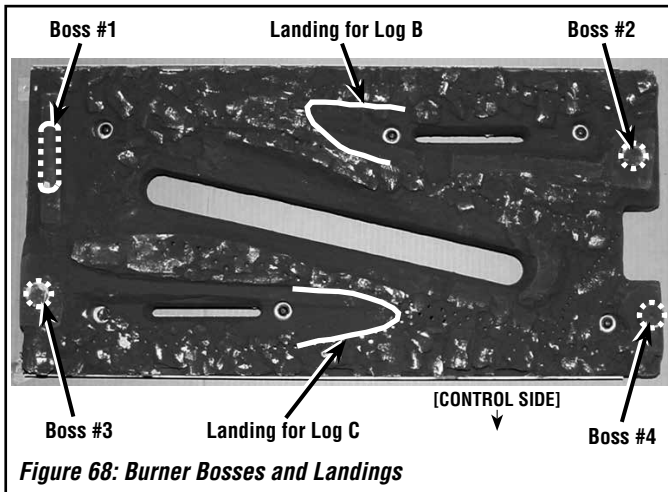


Figure 68: Burner Bosses and Landings

6. Place rectangular notches on underside of Center Log A (Figure 15) over Boss #1 and Boss #4 (Figure 14).

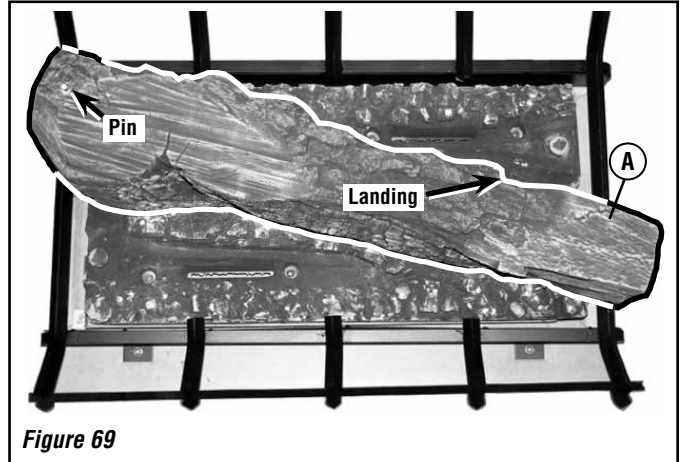


Figure 69

7. Place notch on underside of Right Rear Log B (Figure 16) over Boss #2 (Figure 14).

Place opposite end of **Right Rear Log B** (Figure 16) on **Landing for Log B** (see Figure 14).

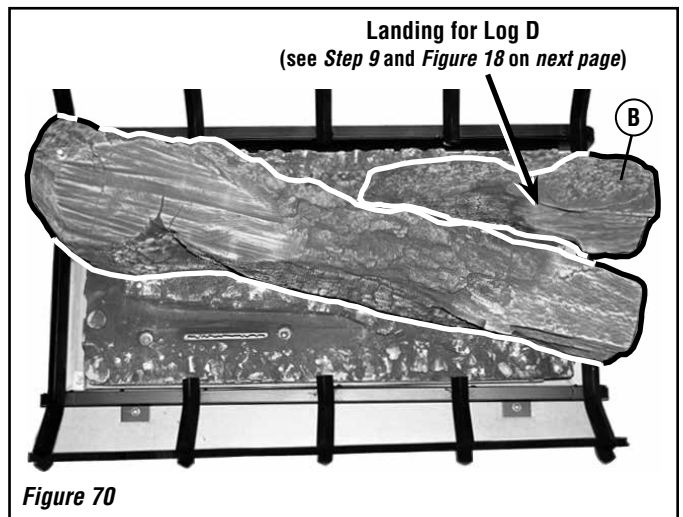


Figure 70

8. See Figures 14 and 17. Place notch on underside of Left Front Log C over Boss #3.

Place opposite end of **Left Front Log C** on **Landing for Log C** (see Figure 14).

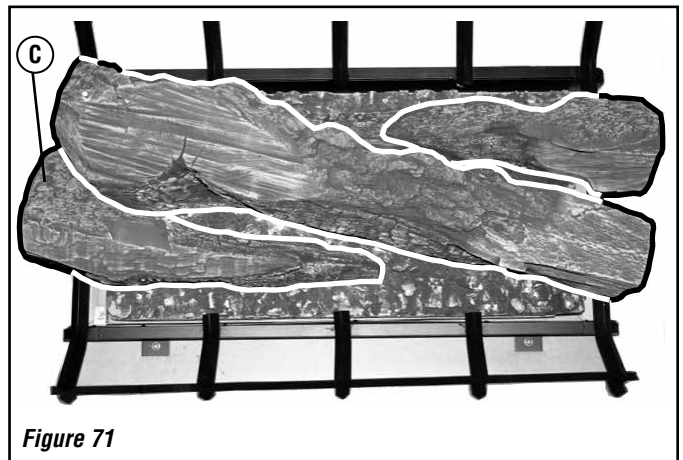
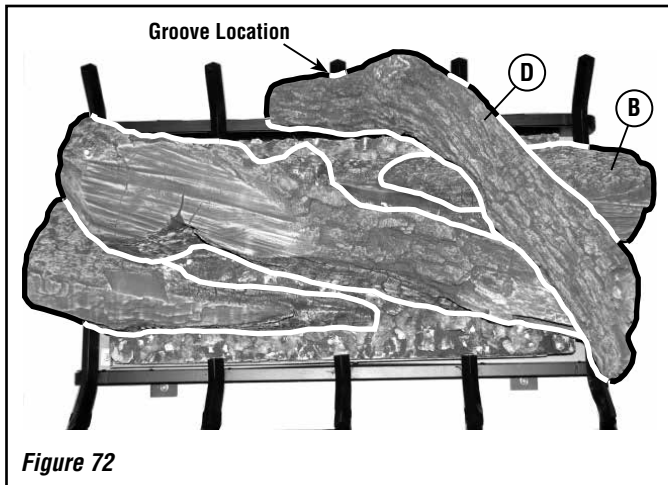


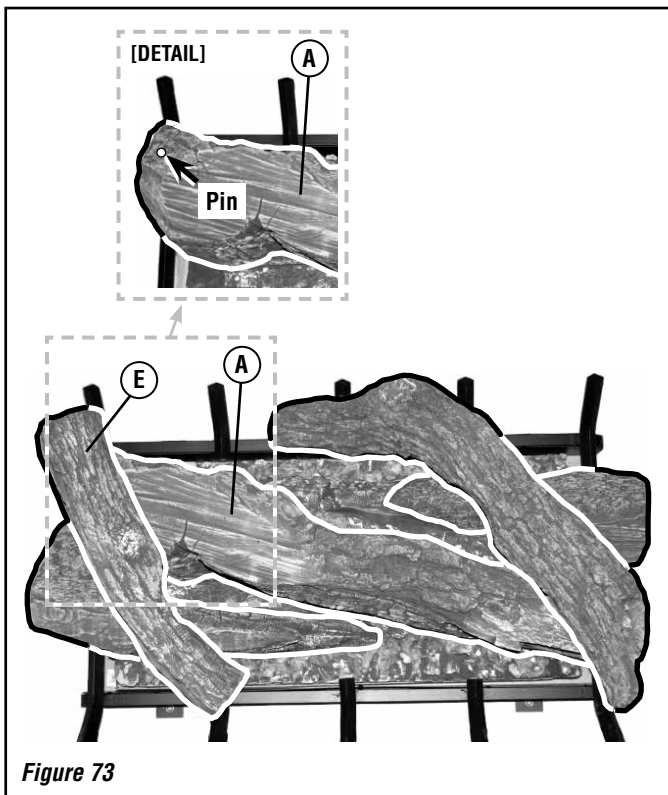
Figure 71

9. Place groove on underside of **Top Right Log D** over the grate as shown in **Figure 18**.

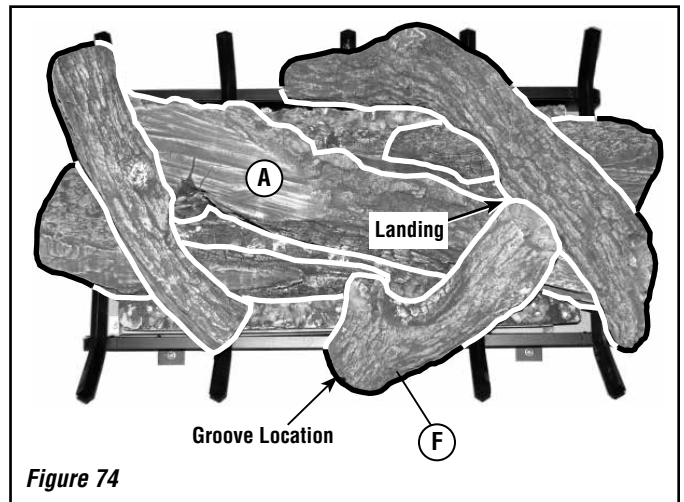
The middle section of **Log D** will rest on the landing on **Log B** (labeled as “**Landing for Log D**” in **Figure 16**).



10. See **Figure 19**. Place hole on underside of **Top Left Log E** over pin on **Center Log A**.



11. See **Figure 20**. Place groove on underside of **Top Front Log F** over the grate finger. Rest the other end of the log on the **Landing** on **Center Log A**.



BURNER ADJUSTMENTS (QUALIFIED TECHNICIANS ONLY)

Flame Appearance and Sooting

Proper flame appearance is a flame that is blue at the base and becomes yellowish-orange in the body of the flame. When the appliance is first lit, the entire flame may be blue and will gradually turn yellowish-orange during the first 30 minutes of operation. After 30 minutes of operation, if the flame is blue, or if the flame is orange with evidence of sooting (black tip), the air shutter opening may need to be adjusted.

If the air shutter opening is closed too far, sooting may develop. Sooting is indicated by black puffs developing at the tips of very long orange flames. Sooting results in black deposits forming on the logs, appliance inside surfaces and on exterior surfaces adjacent to the vent termination.

Sooting is caused by incomplete combustion in the flames and lack of combustion air entering the air shutter opening. To achieve a warm yellowish-orange flame with an orange body that does not soot, the shutter opening must be adjusted between these two extremes.

Burner Air Shutter Adjustment Guidelines

- If there is smoke or soot present, first check the log set positioning to ensure that the flames are not impinging on any of the logs. If the log set is properly positioned and a sooting condition still exists, then the air shutter opening should be increased.
- The more offsets in the vent system, the larger the air shutter opening will need to be.
- An appliance operated with the air shutter opened too far, may have flames that appear blue and transparent. These weak, blue and transparent flames are termed anemic.
- Propane models may exhibit flames which candle or appear stringy. If this is present and persists, adjust the air shutter to a more OPEN position, then operate the appliance for a few more minutes to ensure that the flame normalizes and the flames do not appear sooty.

The following chart is provided to aid you in achieving the correct air shutter adjustment for your installation.

| Air Shutter Adjustment Guidelines: | | |
|------------------------------------|------------------------|-------------------------------------|
| Amount of Primary Air | Flame Color | Air Shutter Adjustment |
| If air shutter is closed too far → | Flame will be orange → | Air shutter gap should be increased |
| If air shutter is open too far → | Flame will be blue → | Air shutter gap should be decreased |

Burner Air Shutter Adjustment Procedure

⚠ WARNING

**HOT GLASS WILL CAUSE BURNS.
 DO NOT TOUCH GLASS UNTIL COOLED.**

- Fireplace surfaces get **EXTREMELY HOT!**
- The glass on the front of the fireplace reaches **EXTREMELY HIGH** temperatures and can cause severe burns if touched. Even after the gas is turned off, fireplace surfaces remain extremely hot.

⚠ CAUTION

**RISK OF PERSONAL INJURY
 OR PROPERTY DAMAGE.**

- Air shutter adjustment should only be performed by a qualified professional service technician.
- Soot will be produced if the air shutter is closed too much. Any damage due to carboning resulting from improperly setting the air shutter is **not covered under the warranty.**

1. Light the appliance (follow lighting procedure in *Care and Operation Instructions* or on lighting label in control compartment).
2. Allow the burner to operate for at least 30 minutes while continuously observing the flame to ensure that the proper flame appearance has been achieved (see *Figures 75 and 76*).
3. Adjust the air shutter using the Air Shutter Adjustment Lever on the lower right side of the firebox (see *Figure 75*).

- For more **OPEN** air shutter, slide lever to the **RIGHT**.
- For more **CLOSED** air shutter, slide lever to the **LEFT**.

A minimum shutter setting is designed into the venturi by four 1/16"-inch tabs.

- If the flame appears weak or sooty (as described on the previous page), adjust the air shutter until proper flame appearance is achieved.
- If flame stays lowered blue, **incrementally** adjust the air shutter to a more CLOSED position until proper flame appearance is achieved.

NOTE: See *Figures 75 and 76* for proper burner flame appearance.



Figure 75

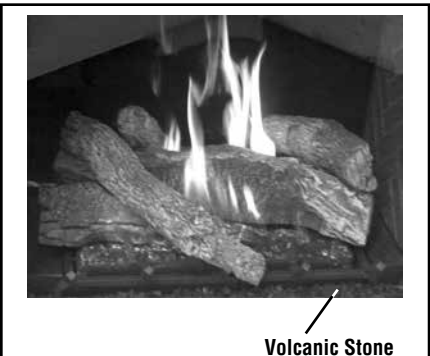


Figure 76

Electronic Appliance Checkout

To light the burner, refer to the lighting instructions on **Page 20**. Ensure the igniter lights the pilot. The pilot flame should engulf the flame sensor as shown in **Figure 23**.

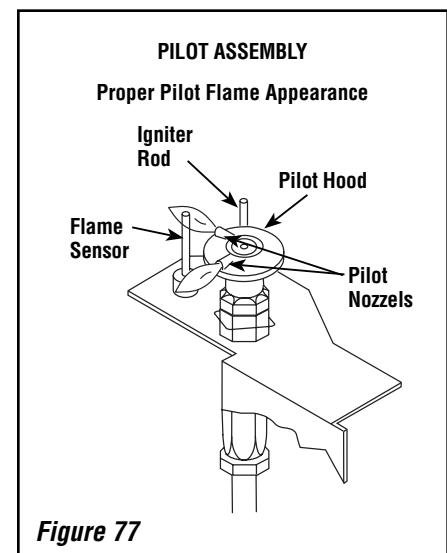


Figure 77

ORDERING REPLACEMENT PARTS

A complete parts list is found at the end of this manual. Use only parts supplied from the manufacturer.

With proper care and maintenance, your appliance will provide many years of enjoyment. If you should experience any problem, first refer to the troubleshooting guide in this manual. If the problem persists, contact your Innovative Hearth Products dealer or distributor.

Order parts through your Innovative Hearth Products distributor or dealer. Parts will be shipped at prevailing prices at time of order.

When ordering parts, provide the following information:

1. Appliance model number.
2. Appliance serial number.
3. Part number.
4. Part description.
5. Quantity required.
6. Appliance installation date.

If you encounter any problems or have any questions concerning the installation or application of this system, please contact your dealer or distributor.

PRODUCT REFERENCE INFORMATION

We recommend that you record the important reference information about your fireplace in the space provided below.

Please call Innovative Hearth Products for the phone number of your nearest IHP dealer, who will answer your questions or address your concerns.

INNOVATIVE HEARTH PRODUCTS
 1508 Elm Hill Pike, Suite 108
 Nashville, TN 37210

Visit us at
 Astria.us.com

| PRODUCT REFERENCE INFORMATION | |
|-------------------------------|-------|
| Model Number | _____ |
| Serial Number | _____ |
| Date Installed | _____ |
| Gas Type Used | _____ |
| Dealer Name | _____ |

WIRING DIAGRAM

A wiring diagram is provided here for reference purposes only. This information is also provided on schematics attached directly to a pullout panel in the appliance control compartment.

CAUTION: LABEL ALL WIRES PRIOR TO DISCONNECTION WHEN SERVICING CONTROLS. WIRING ERRORS CAN CAUSE IMPROPER AND DANGEROUS APPLIANCE OPERATION.

ATTENTION: AU MOMENT DE L'ENTRETIEN DES COMMANDES, ÉTIQUÉTEZ TOUS LES FILS AVANT DE LES DÉBRANCHER. DES ERREURS DE CÂBLAGE PEU-VENT ENTRAÎNER UN FONCTIONNEMENT INADÉQUAT ET DANGEREUX.

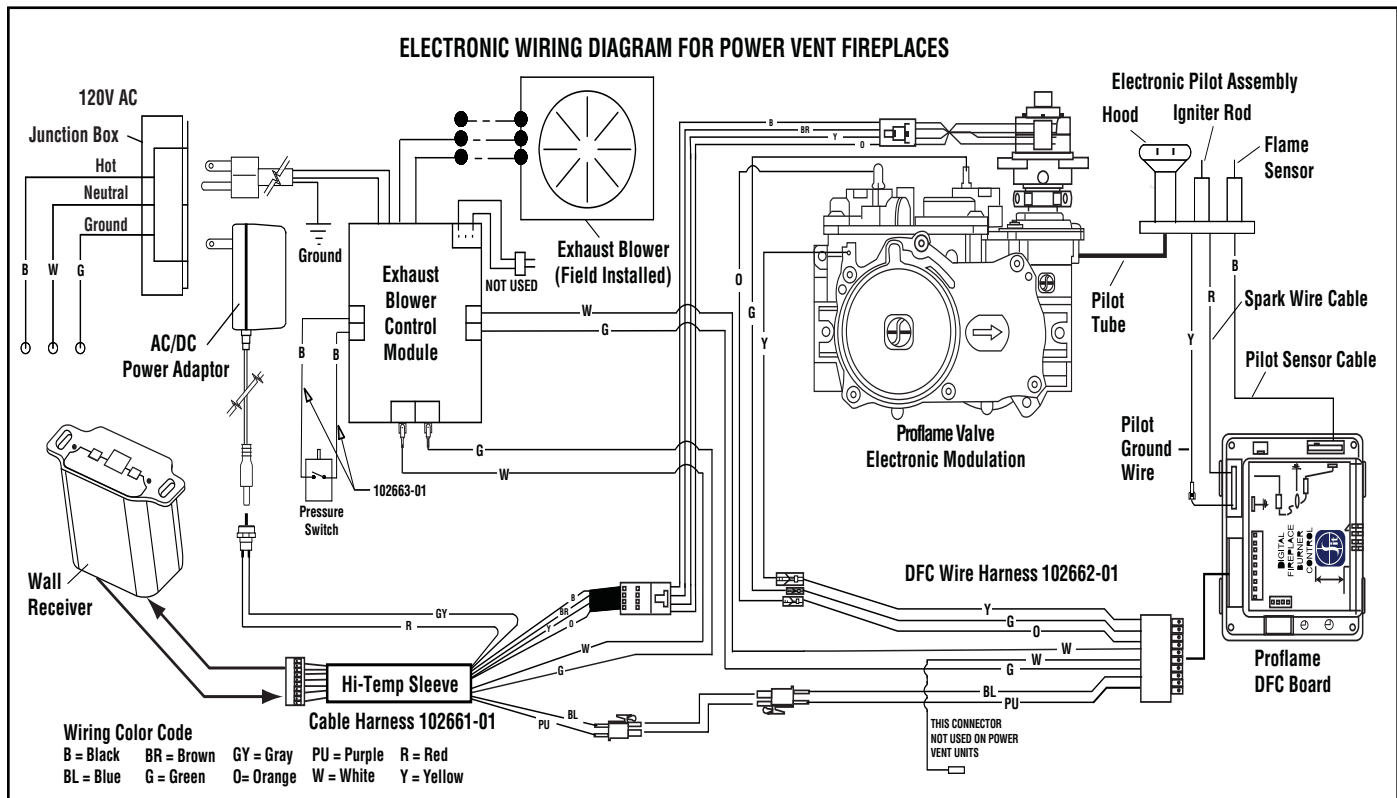


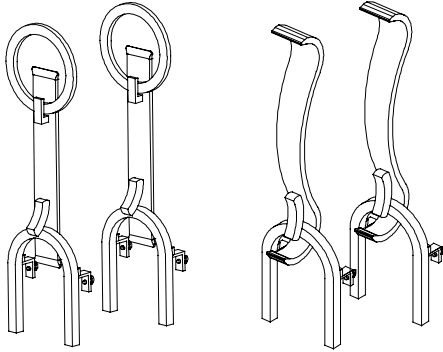
Figure 78: Electronic Wiring Diagram

NOTE: DIAGRAMS & ILLUSTRATIONS ARE NOT TO SCALE.

ACCESSORY COMPONENTS

Andiron Kits

The andiron kits include two andirons for one side. If andirons are desired for both sides, order two kits. The andirons attach to the grate assembly without the use of hardware.



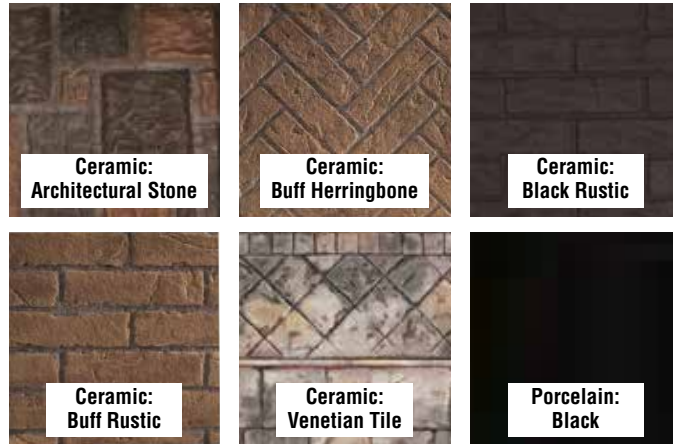
MISSION
(AKM-LSM)

CLASSIC
(AKC-LSM)

| Andiron Kits | | |
|--------------|---------|-------------------|
| Cat. No. | Model | Description |
| H2227 | AKM-LSM | Andirons, Mission |
| H2228 | AKC-LSM | Andirons, Classic |

Ceramic and Porcelain Panel Kits

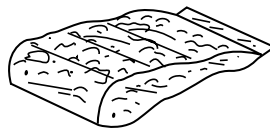
The panel kits include ceramic and porcelain panels for the side walls. The ceramic panels have brick-like features in relief.



| Cat. No. | Model | Description |
|----------|------------------|------------------------------|
| H7946 | BLK-ARCH-LSM40ST | Ceramic, Architectural Stone |
| H8291 | BLK-B-LSM40ST | Ceramic, Black Rustic |
| H7943 | BLK-H-LSM40ST | Ceramic, Buff Herringbone |
| H7942 | BLK-R-LSM40ST | Ceramic, Buff Rustic |
| H7947 | BLK-VT-LSM40ST | Ceramic, Venetian Tile |
| H7948 | BLK-BP-LSM40ST | Porcelain, Black |

Bag of Platinum Glowing Embers Bag of Volcanic Stone

Replacement ember material and volcanic stone are available for use with these appliances. Order them to replace materials as part of the periodic maintenance of the appliance.



| Firebox Accessories | | |
|---------------------|-------|--------------------------------|
| Cat. No. | Model | Description |
| H8312 | PGE | Bag of Platinum Glowing Embers |
| 80L42 | FDVS | Bag of Volcanic Stone |

Touch-Up Paint Kit

Repair of minor scratches and discoloration of the appliances black painted surfaces may be accomplished with the touch-up paint kit.

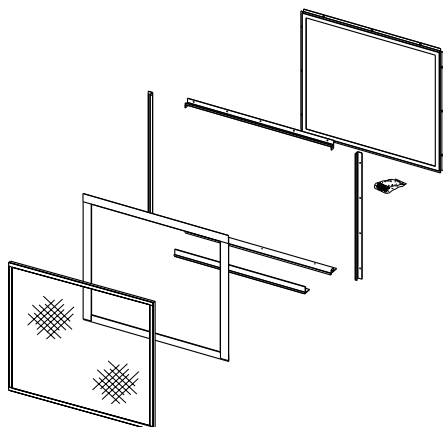


| Touch-Up Paint (Black) Kit | | |
|----------------------------|---------|--|
| Cat. No. | Model | Description |
| F1882 | SCTPSAB | Black touch-up paint, powder coat exterior |

ACCESSORY COMPONENTS
 (continued)

Outdoor Kit

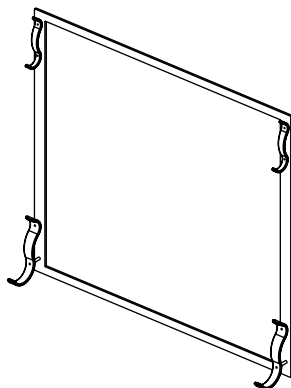
When installing this appliance in an indoor / outdoor configuration, this outdoor kit is required to be installed on the outdoor side.



| Outdoor Kit | | |
|-------------|----------------|--|
| Cat. No. | Model | Description |
| F2231 | LSM40ST-ODKSG | Outdoor Window Kit (Light-tinted Glass) With Outdoor Barrier |
| F2232 | LSM40ST-ODKTSF | Outdoor Window Kit (Dark-tinted Glass) With Outdoor Barrier |

Classic Screen Kits

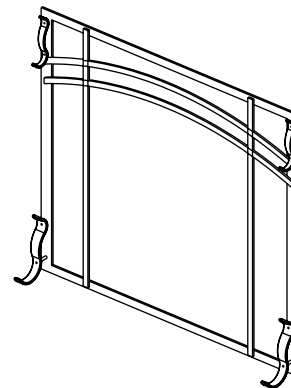
These decorative freestanding firescreen panels are designed to enhance the beauty of the fireplace.



| Classic Screen Kits | | |
|---------------------|------------|--------------------|
| Cat. No. | Model | Description |
| H5052 | SK-LSM40-2 | Classic Screen Kit |

Dual Arch Screen Kits

These decorative freestanding firescreen panels are designed to enhance the beauty of the fireplace.



| Dual Arch Screen Kits | | |
|-----------------------|--------------|------------------|
| Cat. No. | Model | Description |
| H5051 | DASK-LSM40-2 | Dual Arch Screen |



FOR YOUR SAFETY READ BEFORE OPERATING

WARNING: If you do not follow these instructions exactly, a fire or explosion may result causing property damage, personal injury or loss of life.

- A. This appliance is equipped with an ignition device which automatically lights the pilot. Do **not** try to light the pilot by hand.
- B. **BEFORE OPERATING** smell all around the appliance area for gas. Be sure to smell next to the floor because some gas is heavier than air and will settle on the floor.

WHAT TO DO IF YOU SMELL GAS:

- Do not try to light any appliance.
- Do not touch any electric switch; do not use any phone in your building.

- Immediately call your gas supplier from a neighbor's phone. Follow the gas supplier's instructions.
- If you cannot reach your gas supplier, call the fire department.
- C. If any portion of this appliance does not operate as the instructions indicate, do not try to repair it, call a qualified service technician. Do not use tools. Force or attempted repair may result in a fire or explosion.
- D. Do not use this appliance if any part has been under water. Immediately call a qualified service technician to inspect the appliance and to replace any part of the control system and any gas control which has been under water.

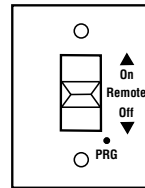
OPERATING INSTRUCTIONS

1. **STOP!** Read the safety information to the other side of this label.
2. Read the Care and Operation manual including the section on "Remote Control System."
3. Slide the switch on the receiver to **OFF**.
4. Press **ON/OFF** button on transmitter to **OFF**.
5. Turn **OFF** all electric power to the appliance.
6. This appliance is equipped with an ignition device which automatically lights the pilot. Do not try to light the pilot by hand.
7. Wait five (5) minutes to clear out any gas. Then smell for gas, including near the floor. If you smell gas, **STOP!** Follow "B" in the safety information above on this label. If you don't smell gas, go to the next step.
8. Turn on all electric power to the appliance.
9. Slide the switch on the receiver to **REMOTE**.
10. Press **ON/OFF** button on transmitter to **ON**.
11. Set thermostat on remote control to desired setting.
12. If the appliance will not operate, follow the instructions "To Turn Off Gas To Appliance" and call your service technician or gas supplier.

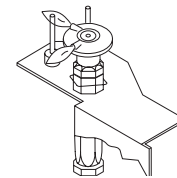
Electronic Gas Control Valve - SIT Proflame



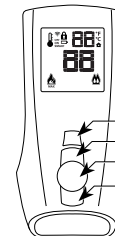
Receiver



Electronic Pilot Assembly



Remote Control Transmitter



TO TURN OFF GAS TO APPLIANCE

1. Turn off all electric power to the appliance if service is to be performed.
2. Slide the switch on the receiver to **OFF**.
3. Press **ON/OFF** button on the transmitter to **OFF**.
4. Close the main line gas shut-off valve.



DANGER



**HOT GLASS WILL CAUSE BURNS.
DO NOT TOUCH GLASS UNTIL COOLED.
NEVER ALLOW CHILDREN TO TOUCH GLASS.**

A barrier designed to reduce the risk of burns from the hot viewing glass is provided with this appliance and shall be installed for the protection of children and other at-risk individuals.



POUR PLUS DE SÉCURITÉ LIRE AVANT DE METTRE EN MARCHÉ

AVERTISSEMENT. Quiconque ne respecte pas à la lettre les instructions dans la présente notice risque de déclencher un incendie ou une explosion entraînant des dommages, des blessures ou la mort.

- A. Cet appareil est muni d'un dispositif d'allumage qui allume automatiquement la veilleuse. Ne tentez pas d'allumer la veilleuse manuellement.
- B. **AVANT DE FAIRE FONCTIONNER**, reniflez tout autour de l'appareil pour déceler une odeur de gaz. Reniflez près du plancher, car certains gaz sont plus lourds que l'air et peuvent s'accumuler au niveau du sol.

QUE FAIRE SI VOUS SENTEZ UNE ODEUR DE GAZ :

- Ne pas tenter d'allumer d'appareil.
- Ne touchez à aucun interrupteur; ne pas vous servir des téléphones se trouvant dans le bâtiment.

- Appelez immédiatement votre fournisseur de gaz depuis un voisin. Suivez les instructions du fournisseur.
- Si vous ne pouvez rejoindre le fournisseur, appelez le service des incendies.
- C. Si un élément de cette unité ne fonctionne pas tel que décrit dans les instructions, n'essayez pas de le réparer, appelez un technicien qualifié. N'utilisez pas d'outils. Le fait de forcer la manette ou de la réparer peut déclencher une explosion ou un incendie.
- D. N'utilisez pas cet appareil s'il a été plongé dans l'eau, même partiellement. Faites inspecter l'appareil par un technicien qualifié et remplacez toute partie du système de contrôle et toute commande qui ont été plongés dans l'eau.

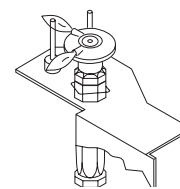
INSTRUCTIONS DE MISE EN MARCHÉ

1. **ARRÊTEZ !** Lisez les avertissements de sécurité à l'endos de cette étiquette.
2. Lisez le manuel d'utilisation et d'entretien incluant la section « Système de télécommande ».
3. Placez l'interrupteur du récepteur en position "OFF".
4. Appuyez sur le bouton "ON/OFF" pour sélectionner "OFF".
5. Coupez l'alimentation électrique de l'appareil.
6. Cet appareil est muni d'un dispositif d'allumage qui allume automatiquement la veilleuse. Ne tentez pas d'allumer la veilleuse manuellement.
7. Attendre cinq (5) minutes pour laisser échapper tout le gaz. Reniflez tout autour de l'appareil, y compris près du plancher, pour déceler une odeur de gaz. Si vous sentez une odeur de gaz, **ARRÊTEZ !** Passez à l'étape B des instructions de sécurité sur la portion supérieure de cette étiquette. S'il n'y a pas d'odeur de gaz, passez à l'étape suivante.
8. Mettez l'appareil sous tension.
9. Placez l'interrupteur du récepteur en position "REMOTE".
10. Appuyez sur le bouton "ON/OFF" pour sélectionner "ON".
11. Ajustez le thermostat sur la télécommande à l'ajustement désiré.
12. Si l'appareil ne se met pas en marche, suivez les instructions intitulées « Comment couper l'admission de gaz de l'appareil » et appelez un technicien qualifié ou le fournisseur de gaz.

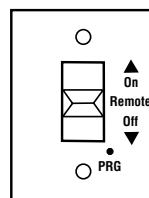
valve électronique -
SIT Proflame



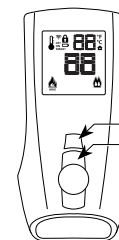
Module de veilleuse
électronique



Récepteur



Télécommande



Bouton ON/OFF
Bouton THERMOSTAT

COMMENT COUPER L'ADMISSION DE GAZ DE L'APPAREIL

1. Coupez l'alimentation électrique de l'appareil s'il faut procéder à l'entretien.
2. Sélectionnez OFF sur le récepteur.
3. Appuyez sur le bouton ON/OFF et sélectionnez OFF.
4. Fermer la valve de gaz principale.



DANGER



VITRE CHAUDE
RISQUE DE BRÛLURES.
NE TOUCHEZ PAS UNE VITRE
NON REFROIDIE.
NE LAISSEZ JAMAIS UN ENFANT
DE TOUCHER LA VITRE.

L'écran pare-étincelles fourni avec ce foyer réduit le risque de brûlure en cas de contact accidentel avec la vitre chaude et doit être installé pour la protection Des enfants et Des personnes à risques.

MAINTENANCE SCHEDULE

⚠ WARNING: BURN HAZARD.
 Turn OFF gas and electrical power to the fireplace, and allow it to cool before cleaning or servicing the appliance.

Annually (before onset of burning season)

| MAINTENANCE TASK | ACCOMPLISHING PERSON | PROCEDURE |
|--|--|--|
| Inspect/Clean Burner, Logs, and Controls | Qualified Service Technician | Inspect valve, and ensure it is operating properly. Check piping for leaks. Vacuum the control compartment, fireplace, logs, and burner area. |
| Check Flame Patterns and Flame Height | Qualified Service Technician | Refer to Figures 21 and 22 on Page 16 and verify the flame pattern and height displayed by the appliance conform to the illustration. Flames must not impinge on the logs. Ensure flames are steady (not lifting or floating). |
| Inspect/Clean Pilot and Burner | Qualified Service Technician | Refer to Figure 23 on Page 16 . Remove any surface build-up on pilot and burner assembly. Wipe the pilot nozzles, igniter/flame rod and hood. Ensure the pilot flame engulfs the flame sensor as shown. |
| Check Vent System | Qualified Service Technician | Inspect the vent system at top and base (within the firebox) for signs of blockage or obstruction. Look for any signs of dislocation or deterioration of the vent components. Reconnect or replace, as necessary. NOTE: Excessive condensation can cause corrosion of caps, pipe and fittings (excessive condensation can be caused by long lateral runs, too many elbows and/or exterior portions of the system being exposed to cold weather). Also inspect wall straps or plumbers's tape to ensure it is secure and in place. |
| Appliance Checkout | Qualified Service Technician | Perform appropriate appliance checkout procedure, as detailed in this manual. |
| Replace Glowing Embers | Homeowner/Qualified Service Technician | Remove old glowing ember material, and vacuum the ember placement area. Place new glowing embers, per instructions on Page 13 . |

Periodically (after burning season)

| MAINTENANCE TASK | ACCOMPLISHING PERSON | PROCEDURE |
|---------------------------------------|----------------------|--|
| Clean Firebox Interior | Homeowner | Carefully remove logs, glowing ember material, and volcanic stone. Vacuum out interior of the firebox. Clean firebox walls and log grate. Replace logs, glowing embers, and volcanic stone, as detailed in this manual. |
| Check Flame Patterns and Flame Height | Homeowner | Refer to Figures 21 and 22 on Page 16 and verify the flame pattern and height displayed by the appliance conforms to the picture. Flames must not impinge on the logs. |
| Clean Front Glass Enclosure Panel | Homeowner | Clean as necessary following the directions provided in this manual. DO NOT TOUCH OR ATTEMPT TO CLEAN GLASS WHILE HOT. |

TROUBLESHOOTING GUIDE: ELECTRONIC GAS CONTROL SYSTEM

NOTE: Before troubleshooting the gas control system, make sure the external gas shutoff valve (located at gas supply inlet) is in the “ON” position.

Important: Valve system troubleshooting should only be performed by a qualified service technician.

| SYMPTOM | POSSIBLE CAUSES | CORRECTIVE ACTION |
|--|--|---|
| 1. Nothing happens when fireplace is turned On/Off (pilot does not spark). | A. Remote Control is not functioning properly. | <ul style="list-style-type: none"> • Check that wall switchplate is set to REMOTE (if remote was used). • Operate fireplace from wall switchplate. • Replace batteries in Remote Control and/or Receiver. |
| | B. Gas is not reaching fireplace. | <ul style="list-style-type: none"> • Check gas supply and gas shutoff valves. |
| | C. Unit is not receiving power. | <ul style="list-style-type: none"> • Check building circuit breakers to ensure power is on to fireplace. |
| | D. Damaged igniter wire. | <ul style="list-style-type: none"> • Check for visible cracked casing, cuts, etc. |
| | E. Damaged pilot assembly. | <ul style="list-style-type: none"> • Check pilot assembly for visibly broken spark electrode, etc. |
| | F. Batteries low. | <ul style="list-style-type: none"> • Check voltage on D.C. terminal of batteries in Remote Control. The value should be around 3.0V. |
| 2. Igniter is sparking, but main burner does not light. | A. Gas is not reaching fireplace. | <ul style="list-style-type: none"> • Check gas supply and gas shutoff valves (call a service technician, if required). |
| | B. Air in gas line. | <ul style="list-style-type: none"> • Call a service technician. |
| | C. Loose wires to valve. | <ul style="list-style-type: none"> • Check control compartment for any obvious loose wiring (call a service technician, if required). • Ensure blue and white (2) wires are securely connected to valve (call a service technician, if required). |
| | D. Loose wires to ignition module. | <ul style="list-style-type: none"> • Check control compartment for any obvious loose wiring (call a service technician, if required). |
| | E. Loose sensor wire. | <ul style="list-style-type: none"> • Ensure sensor wire connection is secure to purple wire of ignition control (call a service technician, if required). |
| | F. Low voltage. | <ul style="list-style-type: none"> • Test voltage at AC terminals of module for 24 VAC. If no voltage, replace module (call a service technician, if required). • Check electrical connections between module and gas control. If okay, replace gas control (valve) (call a service technician, if required). |
| 3. Main burner comes on, but then goes out. | A. Gas is not reaching fireplace. | <ul style="list-style-type: none"> • Check gas supply and gas shutoff valves. |
| | B. Loose wires to valve or ignition module. | <ul style="list-style-type: none"> • Check control compartment for any obvious loose wiring (call a service technician, if required). |
| | C. Pilot flame is not engulfing sensor. | <ul style="list-style-type: none"> • Call a service technician. |
| | D. Obstructed vent system. | <ul style="list-style-type: none"> • Call a service technician. |
| 4. Soot is present on logs and glass. | A. Excessive flame impingement on logs. | <ul style="list-style-type: none"> • Check for proper placement of logs, volcanic stone, and ember material. |
| | B. Improper air shutter opening. | <ul style="list-style-type: none"> • Check for proper air shutter adjustment (call a service technician, if required). |

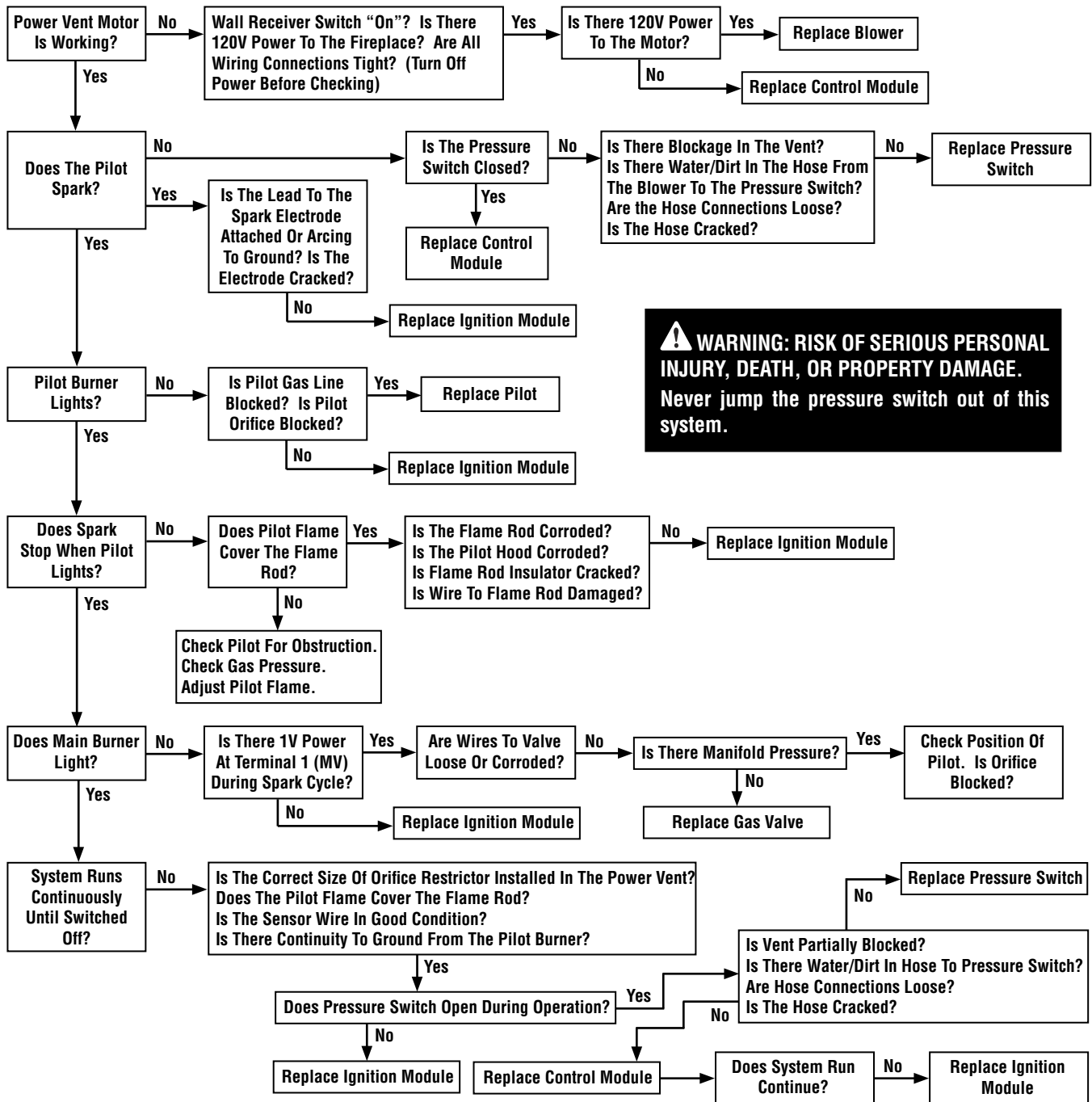
TROUBLESHOOTING GUIDE: POWER VENT SYSTEM

Important: Service must be performed by a qualified installer, service agency, or your gas supplier.

BEFORE TROUBLESHOOTING THE UNIT:

1. Check whether there is power to the unit (fireplace).
2. Check whether there is gas to the unit (fireplace).
3. The igniter module in the fireplace is equipped with a lockout device that will put the unit into a lockout condition. Follow the steps in the chart below to reset the control: Turn the Wall Receiver Switch to the OFF position, or turn the Remote Control Transmitter OFF.
4. If this is the first time the unit has been fired, check the unit wiring against the wiring diagram before performing any troubleshooting.

START



⚠ WARNING: RISK OF SERIOUS PERSONAL INJURY, DEATH, OR PROPERTY DAMAGE. Never jump the pressure switch out of this system.

REPLACEMENT PARTS LIST

Contact an Innovative Hearth Products dealer to obtain any of these parts.

| Item No.* | Description | Cat. No. | Qty. |
|-----------|---|----------|------|
| 1 | a. Ceramic Panel Kit, Architectural Stone | H7946 | 1 |
| | b. Ceramic Panel Kit, Black Rustic | H8291 | 1 |
| | c. Ceramic Panel Kit, Buff Herringbone | H7943 | 1 |
| | d. Ceramic Panel Kit, Buff Rustic | H7942 | 1 |
| | e. Ceramic Panel Kit, Venetian Tile | H7947 | 1 |
| | f. Porcelain Panel Kit, Black | H7948 | 1 |
| 2 | Modesty Panel (603936-01) | H8324 | 3 |
| 3 | Log Set | H7994 | 1 |
| 4 | Enclosure, Glass Door | H2281 | 2 |
| 5 | Spring Latch Assembly | H2274 | 2 |
| 6 | Burner Assembly | H7996 | 1 |
| 9 | Access Plate | H8013 | 1 |
| 10 | Gasket, Access Plate | H8012 | 1 |
| 11 | Gas Line Tubing | H8001 | 2 |
| 12 | Connector, Male | H4094 | 2 |
| 13 | Orifice, Natural Gas | H8002 | 2 |
| 13 | Orifice, Propane Gas | H8003 | 2 |
| 14 | Bag of Glowing Embers (rockwool) | H8312 | 1 |
| 15 | Grate Assembly | H7998 | 1 |
| 16 | On/Off Rocker Switch | 80L41 | 1 |
| 17 | Gas Line, Flexible Connection | 93L32 | 1 |
| 18 | Modesty Panel, Right Side | H3371 | 1 |
| 19 | Bag of Volcanic Stone (lava rock) | 80L42 | 1 |
| 21 | Gas Line (from valve to T-fitting) | H7997 | 1 |
| 22 | Barrier | J7422 | 2 |
| 23 | Barrier Filler | J7990 | 2 |
| 24 | Barrier Kit (Outdoor) | H8249 | 1 |
| 25 | Springs | J7542 | 1 |
| 26 | Access Door | J7541 | 1 |
| 27 | Insulation | J7544 | 1 |
| 28 | Top Channel | J7545 | 1 |
| 29 | Heat Baffle | J7548 | 1 |
| 30 | Header Heat Shield | J7549 | 1 |
| --- | Astria® Badge (logo) | J7593 | 1 |

| Gas Controls - SIT Electronic | | | | | |
|-------------------------------|------------------------|-------------|------|---------------|------|
| Item No. | Description | Natural Gas | | Propane Gas** | |
| | | Part No. | Qty. | Part No. | Qty. |
| 31 | Gas Valve | H7270 | 1 | H7271 | 1 |
| 32 | Pilot Assembly | H7268 | 1 | H7269 | 1 |
| 33 | DFC Ignition Board | J7906 | 1 | | |
| 34 | DFC Wire Harness | H8330 | 1 | | |
| 35 | Receiver Kit | H7277 | 1 | | |
| 36 | Receiver Cable Harness | H8008 | 1 | | |
| 37 | AC/DC Power Adaptor | H8006 | 1 | | |
| 38 | Transmitter Kit | H7275 | 1 | | |
| 39 | Ground Wire | H7278 | 1 | | |
| 44 | Power Vent Module | H7367 | 1 | | |

WARNING

Failure to position the parts in accordance with these diagrams or failure to use only parts specifically approved with this appliance may result in property damage or personal injury.

AVERTISSEMENT

Risque de dommages ou de blessures si les pièces ne sont pas installées conformément à ces schémas et ou si des pièces autres que celles spécifiquement approuvées avec cet appareil sont utilisées.

WARNING

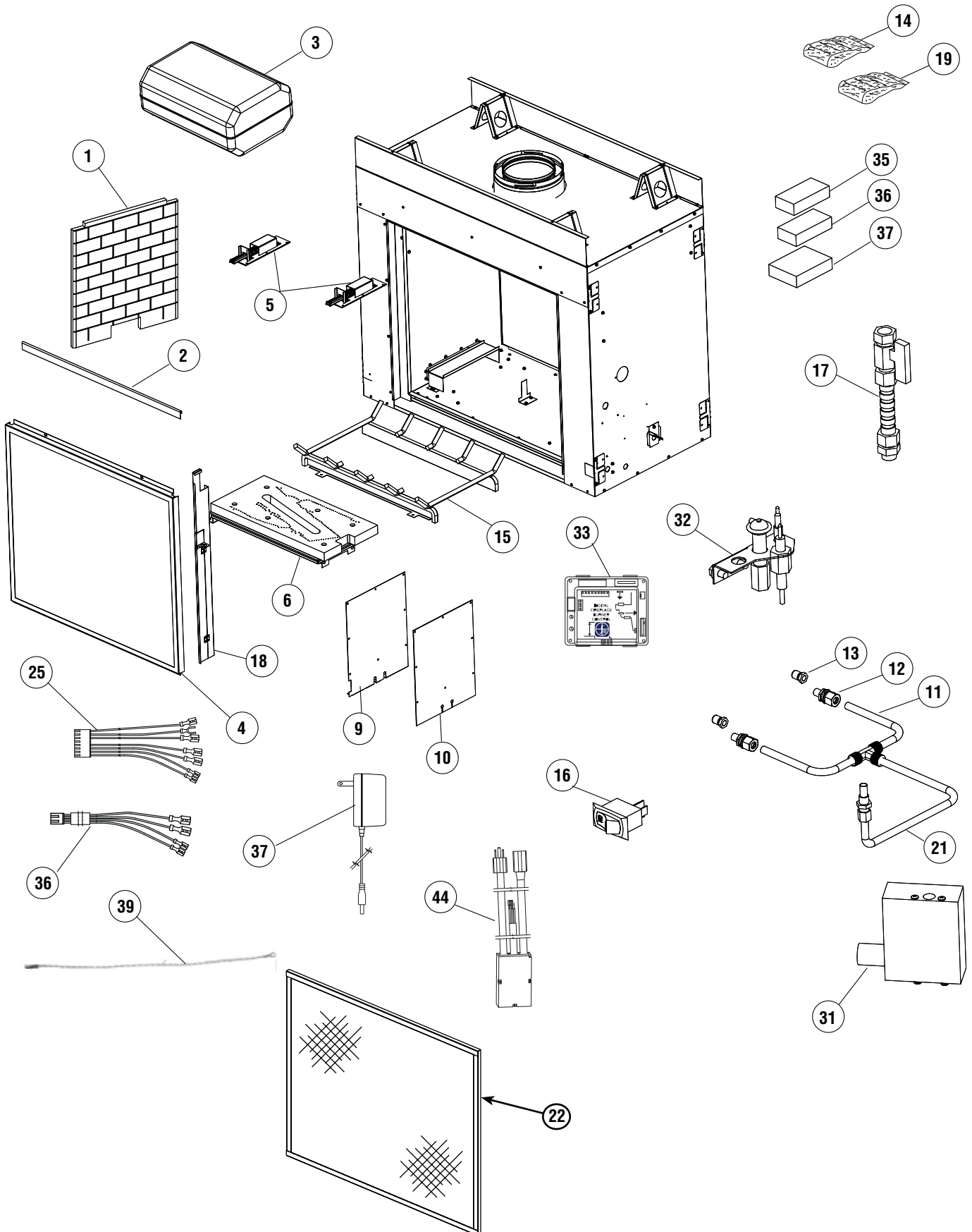
Never use substitute materials. Use of non-approved parts can result in poor performance and safety hazards.

*Item numbers correspond to "Replacement Parts Illustration" on *next page*.

**Propane unit available as field conversion only.

REPLACEMENT PARTS ILLUSTRATION

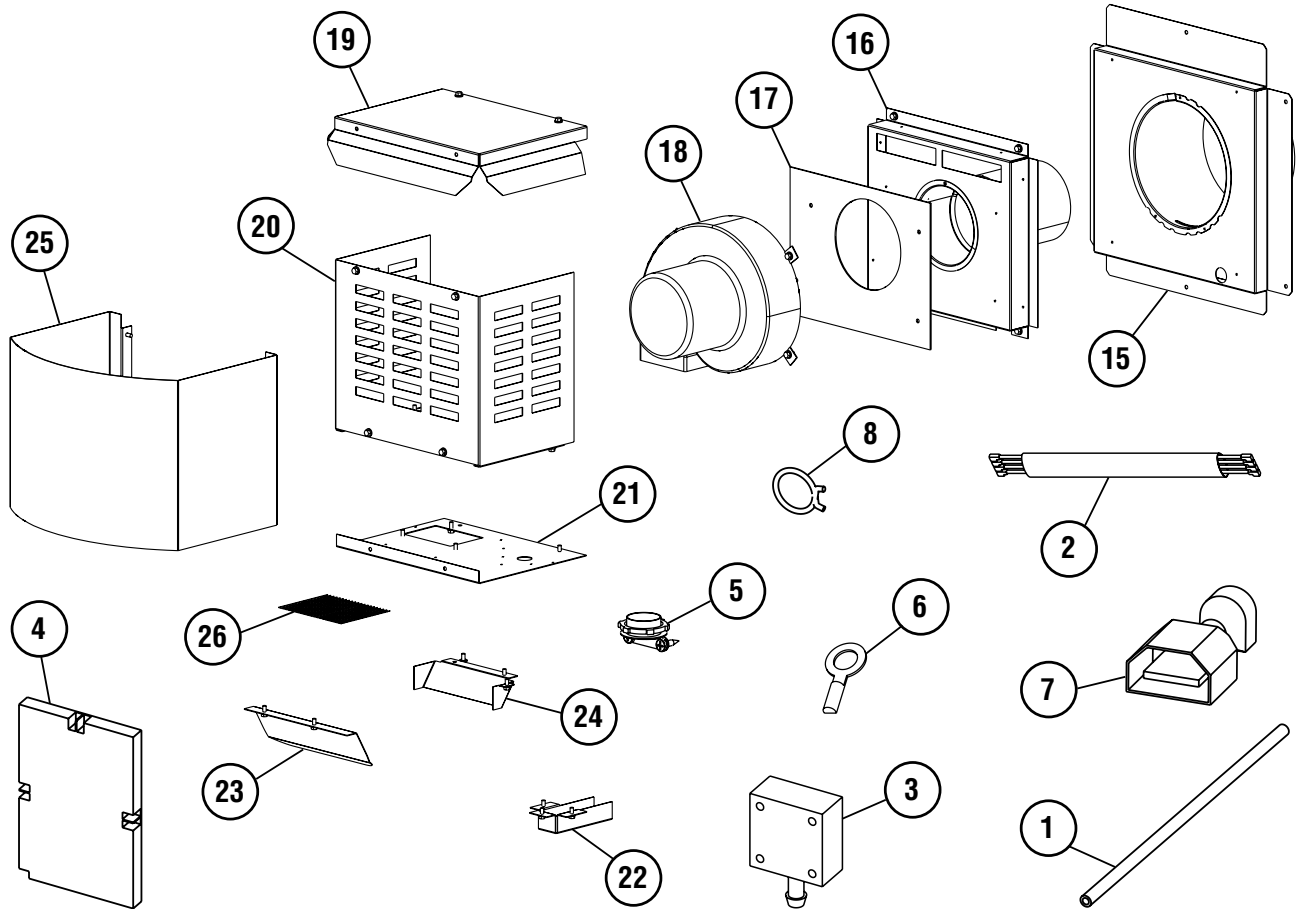
Circled numbers correspond to "Replacement Parts List" on *previous page*.



POWER VENT REPLACEMENT PARTS

| Item | Part Number | Description | Qty. |
|------|-------------|------------------------------|------|
| 1 | H7383 | Vacuum Hose | 1 |
| 2 | H7369 | Wire Harness | 1 |
| 3 | H8329 | Pressure Switch | 1 |
| 4 | H7367 | Control Module | 1 |
| 5 | H7368 | Strain Relief - 3/8" | 2 |
| 6 | H7370 | Ring Terminal - #10 | 2 |
| 7 | H7384 | Insulated 1/4" Male Terminal | 4 |
| 8 | H7371 | Hose Clamp - 11/32" | 2 |
| 15 | H7372 | Base Assembly (Power Vent) | 1 |
| 16 | H7378 | Kicker Assembly | 1 |

| Item | Part Number | Description | Qty. |
|------|-------------|------------------|------|
| 17 | H7382 | Blower Gasket | 1 |
| 18 | H7365 | Blower Assembly | 1 |
| 19 | H7375 | Wrapper - Top | 1 |
| 20 | H7373 | Wrapper | 1 |
| 21 | H7374 | Wrapper - Bottom | 1 |
| 22 | H7377 | J-Box | 1 |
| 23 | H7379 | Diverter - Front | 1 |
| 24 | H7380 | Diverter - Back | 1 |
| 25 | H7376 | Wrapper Cover | 1 |
| 26 | H7381 | Wire Mesh | 1 |



Innovative Hearth Products Astria® Brand Gas Fireplace Limited Lifetime Warranty

THE WARRANTY

Innovative Hearth Products ("IHP") Limited Lifetime Warranty warrants your Astria® brand gas fireplace ("Product") to be free from defects in materials and workmanship at the time of manufacture. The product body, firebox and barrier carry the Limited Lifetime Warranty. Ceramic glass carries the Limited Lifetime Warranty against thermal breakage only. After installation, if covered components manufactured by IHP are found to be defective in materials or workmanship during the Limited Lifetime Warranty period and while the Product remains at the site of the original installation, IHP will, at its option, repair or replace the covered components. If repair or replacement is not commercially practical, IHP will, at its option, refund the purchase price or wholesale price of the IHP product, whichever is applicable. IHP will also pay IHP prevailing labor rates, as determined in its sole discretion, incurred in repairing or replacing such components for up to five years. THERE ARE EXCLUSIONS AND LIMITATIONS to this Limited Lifetime Warranty as described herein.

COVERAGE COMMENCEMENT DATE

Warranty coverage begins on the date of purchase. In the case of new home construction, warranty coverage begins on the date of first occupancy of the dwelling or six months after the sale of the Product by an independent IHP dealer/distributor, whichever occurs earlier. The warranty shall commence no later than 24 months following the date of product shipment from IHP, regardless of the installation or occupancy date.

EXCLUSIONS AND LIMITATIONS

This Limited Lifetime Warranty applies only if the Product is installed in the United States or Canada and only if operated and maintained in accordance with the printed instructions accompanying the Product and in compliance with all applicable installation and building codes and good trade practices.

This warranty is non-transferable and extends to the original owner only. The Product must be purchased through a listed supplier of IHP and proof of purchase must be provided. The product body, firebox and barrier carry the Limited Lifetime Warranty from the date of installation. Vent components, trim components and paint are excluded from this Limited Lifetime Warranty. The following do not carry the Limited Lifetime Warranty but are warranted as follows:

Burner – Repair or replacement for five years from the date of installation

Gas components & electrical components – Repair or replacement for one year from the date of installation

Gaskets – Repair or replacement for one year from the date of installation

Gold & nickel plating - Replacement for two years from date of installation. Excludes tarnishing

Labor coverage – Prevailing IHP labor rates apply for the warranty period of the component

Light bulbs & batteries – Replacement for 90 days from the date of installation

Logs – Replacement for five years from the date of installation against thermal breakage only

Optional blowers & remote controls – Repair or replacement for one year from the date of installation

Optional glass doors & optional glass accessories – Repair or replacement for 90 days from the date of installation

Optional surrounds – Stone/Natural Materials: Replacement for one year against cracking or breakage due to thermal stress. Other Materials: Replacement for one year. Excludes surface and hairline cracks and scratches or slight color changes that do not affect the operation or safety of the unit

Tempered Glass -Replacement for one year from the date of installation

Parts not otherwise listed carry a 90 day warranty from the date of installation.

Whenever practicable, IHP will provide replacement parts, if available, for a period of 10 years from the last date of manufacture of the Product.

IHP will not be responsible for: (a) damages caused by normal wear and tear, accident, riot, fire, flood or acts of God; (b) damages caused by abuse, negligence, misuse, or unauthorized alteration or repair of the Product affecting its stability or performance (The Product must be subjected to normal use. The Product is designed to burn either natural or propane gas only. Burning conventional fuels such as wood, coal or any other solid fuel will cause damage to the Product, will produce excessive temperatures and could result in a fire hazard.); (c) damages caused by failing to provide proper maintenance and service in accordance with the instructions provided with the Product; (d) damages, repairs or inefficiency resulting from faulty installation or application of the Product.

IHP is not responsible for inadequate fireplace system draft caused by air conditioning and heating systems, mechanical ventilation systems, or general construction conditions which may generate negative pressure in the room in which the appliance is installed. Additionally IHP assumes no responsibility for drafting conditions caused by venting configurations, adjoining trees or buildings, adverse wind conditions or unusual environmental factors and conditions that affect the operation of the unit.

This Limited Lifetime Warranty covers only parts and labor as provided herein. In no case shall IHP be responsible for materials, components or construction, which are not manufactured or supplied by IHP or for the labor necessary to install, repair or remove such materials, components or construction. Additional utility bills incurred due to any malfunction or defect in equipment are not covered by this warranty. All replacement or repair components will be shipped F.O.B. from the nearest stocking IHP factory.

LIMITATION ON LIABILITY

It is expressly agreed and understood that IHP's sole obligation and the purchaser's exclusive remedy under this warranty, under any other warranty, expressed or implied, or in contract, tort or otherwise, shall be limited to replacement, repair, or refund, as specified herein.

In no event shall IHP be liable for any incidental or consequential damages caused by defects in the Product, whether such damage occurs or is discovered before or after repair or replacement, and whether such damage is caused by IHP's negligence. IHP has not made and does not make any representation or warranty of fitness for a particular use or purpose, and there is no implied condition of fitness for a particular use or purpose.

IHP makes no expressed warranties except as stated in this Limited Lifetime Warranty. The duration of any implied warranty is limited to the duration of this expressed warranty.

No one is authorized to change this Limited Lifetime Warranty or to create for IHP any other obligation or liability in connection with the Product. Some states and provinces do not allow the exclusion or limitation of incidental or consequential damages, so the above limitations or exclusions may not apply to you. The provisions of this Limited Lifetime Warranty are in addition to and not a modification of or subtraction from any statutory warranties and other rights and remedies provided by law.

INVESTIGATION OF CLAIMS AGAINST WARRANTY

IHP reserves the right to investigate any and all claims against this Limited Lifetime Warranty and to decide, in its sole discretion, upon the method of settlement.

To receive the benefits and advantages described in this Limited Lifetime Warranty, the appliance must be installed and repaired by a licensed contractor approved by IHP.

Contact IHP at the address provided herein to obtain a listing of approved dealers/distributors. **IHP shall in no event be responsible for any warranty work done by a contractor that is not approved without first obtaining IHP's prior written consent.**

HOW TO REGISTER A CLAIM AGAINST WARRANTY

In order for any claim under this warranty to be valid, you must contact the IHP dealer/distributor from which you purchased the product. If you cannot locate the dealer/distributor, then you must notify IHP in writing. IHP must be notified of the claimed defect in writing within 90 days of the date of failure. Notices should be directed to the IHP Warranty Department at 1508 Elm Hill Pike, Suite 108, Nashville, TN 37210 or visit our website at WWW.ASTRIA.US.COM.

Astria.us.com

Record the following important information about your fireplace:

| | |
|------------------------------|--|
| Fireplace model number | |
| Fireplace serial number | |
| Date fireplace was Installed | |
| Type of gas fireplace uses | |
| Dealer name | |

Innovative Hearth Products reserves the right to make changes at any time, without notice, in design, materials, specifications, prices and also to discontinue colors, styles and products. Consult your local distributor for fireplace code information.

