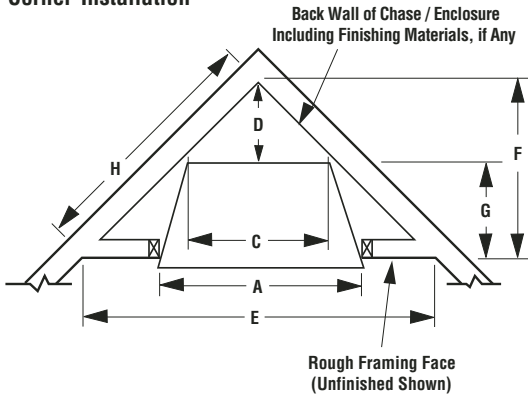


POLARIS™ 36/42 SERIES

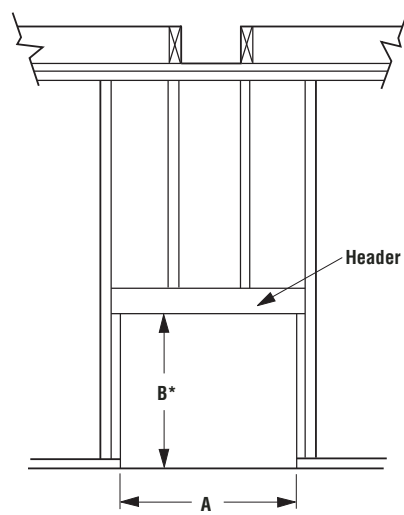
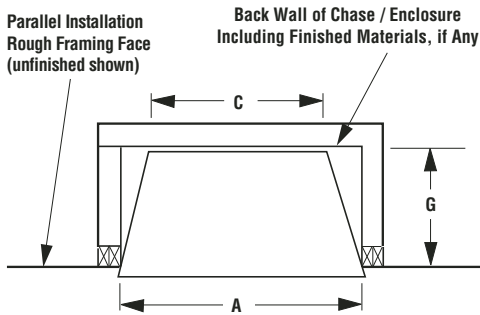
OUTDOOR VENT-FREE GAS FIREPLACES

Framing Dimensions

Corner Installation



**Parallel Installation
Rough Framing Face
(unfinished shown)**

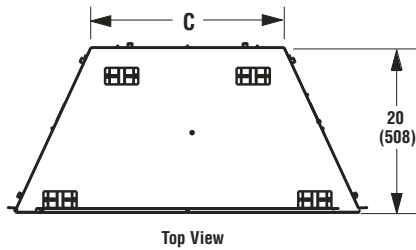


* Increase Framing Height By 3/4 (19)
When Using Optional Drain Pan

Model	A	B	C	D	E	F	G	H
36" Model	42-3/4 (1086)	46-1/2 (1181)	23-5/8 (600)	11-1/4 (286)	63-1/2 (1613)	31-3/4 (807)	20-1/2 (521)	44-1/4 (1124)
42" Model	48-3/4 (1238)	46-1/2 (1181)	29-5/8 (753)	14-1/4 (362)	69-1/2 (1765)	34-3/4 (883)	20-1/2 (521)	49-1/8 (1248)

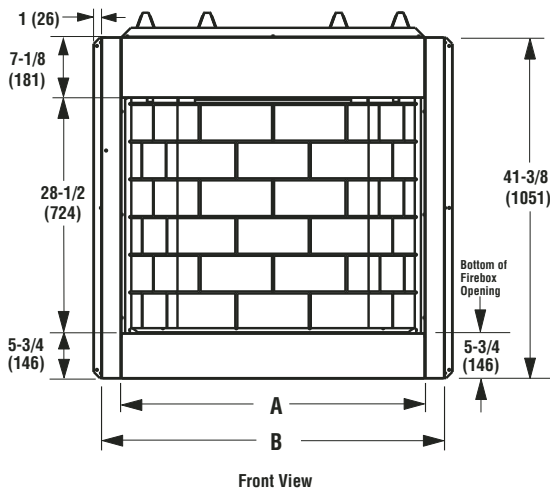
Inches (millimeters)

Fireplace Dimensions

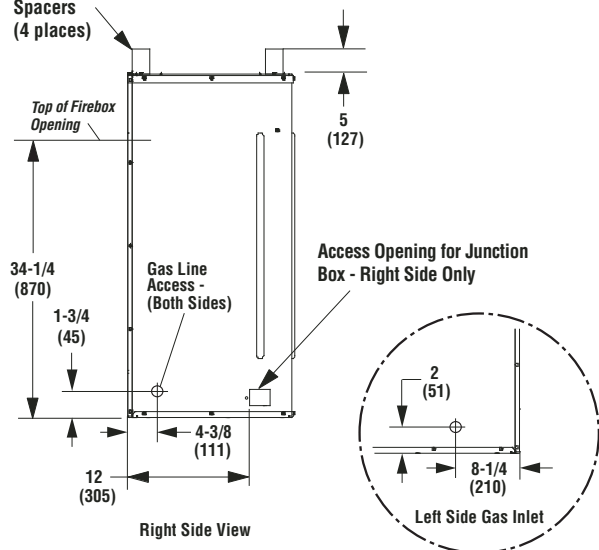


Model	A	B	C
36" Model	37 (940)	41-3/4 (1061)	23-1/2 (597)
42" Model	43 (1092)	47-3/4 (1213)	29-1/2 (749)

Inches (millimeters)



**Top Stand-Off
Spacers
(4 places)**



Diagrams, illustrations and photographs are not to scale. Consult installation instructions. Product designs, materials, dimensions, specifications, colors, and prices are subject to change or discontinuance without notice.

NOTE: DIAGRAMS & ILLUSTRATIONS ARE NOT TO SCALE.

POLARIS™ 36/42 SERIES

Product Information

Cat. No.	Model	Ship. Weight (lbs)	Shipping Volume
F0576	Polaris36ZEN	265 lb.s	33.1 Cu. Ft.
F0577	Polaris36ZEN	265 lb.s	33.1 Cu. Ft.
F0578	Polaris36ZEP	265 lb.s	33.1 Cu. Ft.
F0579	Polaris36ZEP	265 lb.s	33.1 Cu. Ft.
F0580	Polaris42ZEN	278 lb.s	36.8 Cu. Ft.
F0581	Polaris42ZEN	278 lb.s	36.8 Cu. Ft.
F0582	Polaris42ZEP	278 lb.s	36.8 Cu. Ft.
F0583	Polaris42ZEP	278 lb.s	36.8 Cu. Ft.

Listing Information



Report No. F14-020

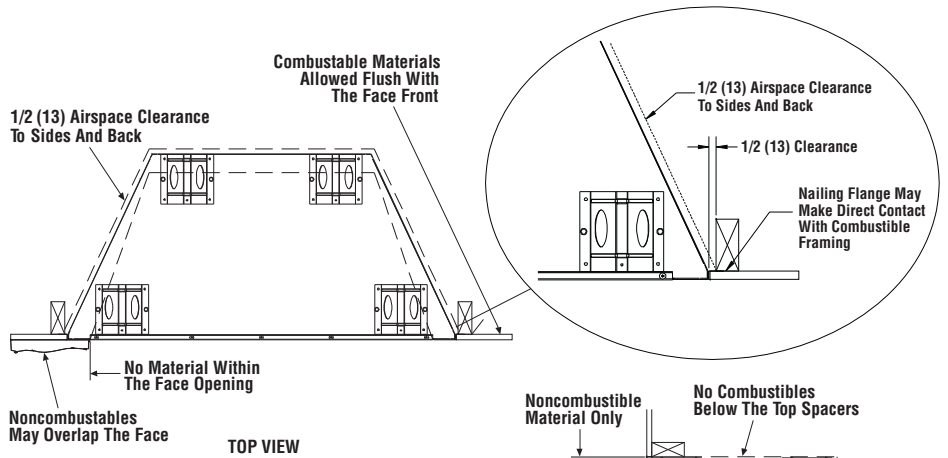
These appliances comply with National Safety Standards and are listed by PFS Corporation to ANSI Z21.91 and CAN 1-2.21 M85 Ventless Firebox Enclosures for Gas-Fired Unvented Decorative Room Heaters.

CLEARANCES

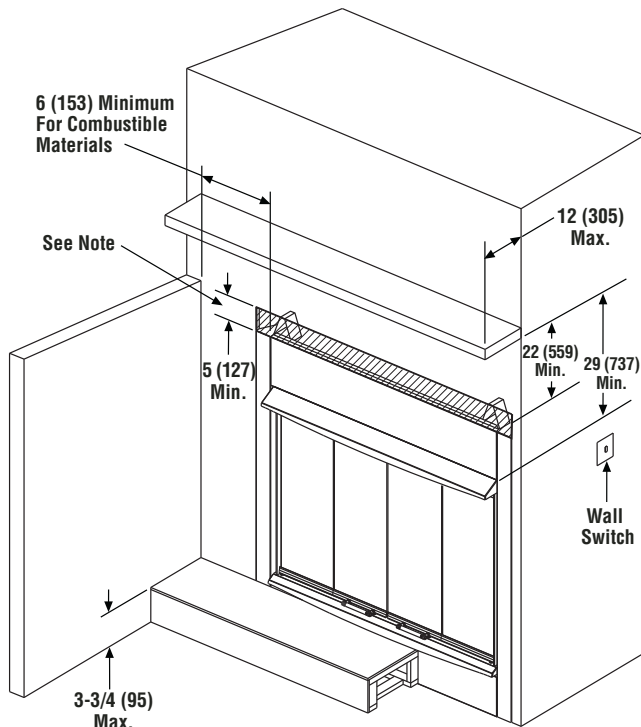
Minimum clearance to combustibles for the fireplace is as follows; sides and back – 1/2” (13mm), combustible floor – 0” (0mm), adjacent wall 6” (152mm), ceiling – 72” (1829mm).

NOTE: Clearance behind the nailing flange for both fireplace models is 1/2” (13mm).

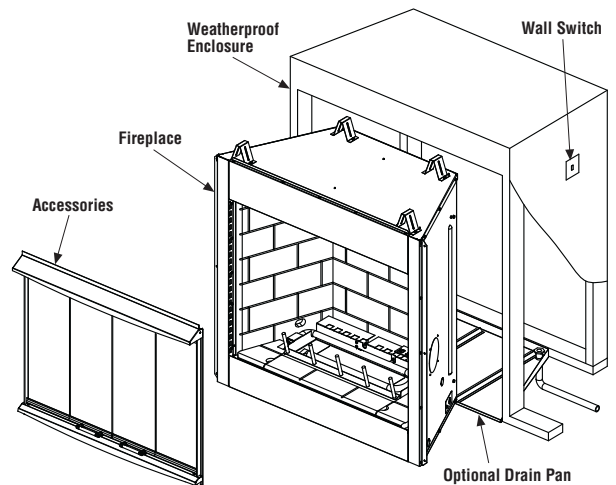
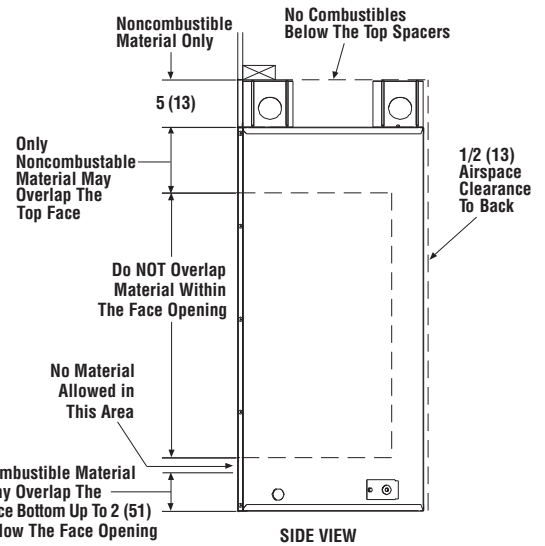
NOTE: Adjacent wall considerations are for an adjacent wall to only a single side. Walls should not be placed at the minimum distance on both sides of the fireplace. Allow at least 4 feet on one side of the fireplace.



Inches (millimeters)



NOTE: The area above the face to the top of the spacers must be non-combustible materials.



Clearances