



Installation and Operation Instructions  
Venetian™ Outdoor Vent-Free Firebox  
(Box only, Mosaic or Estate Brick Liner Required)

P/N 126770-01 Rev. B 05/2016



Models



P126770-01

Report No. F09-130

Venetian36	Venetian42	Venetian50
------------	------------	------------

**SAVE THIS BOOK**

This book is valuable. In addition to instructing you on how to install and maintain your appliance, it also contains information that will enable you to obtain replacement parts or accessory items when needed. Keep it with your other important papers.

**INSTALLER:** Leave this manual with the appliance.  
**CONSUMER:** Retain this manual for future reference.

**⚠ WARNING:** Improper installation, adjustment, alteration, service or maintenance can cause injury or property damage. Refer to this manual for correct installation and operational procedures. For assistance or additional information consult a qualified installer, service agency or the gas supplier.

This fireplace is approved for use on an outdoor application provided that a certified gas log set approved under the ANSI Z21.97 standard with a maximum input rate of 40,000 BTU's is used. An IHP hood must be installed when using a vent-free log heater (see Parts, page 17).

**DO NOT INSTALL THE APPLIANCE IN THIS FIREBOX, UNLESS THIS FIREBOX MEETS THE MINIMUM DIMENSIONS REQUIRED FOR THE INSTALLATION.**

**⚠ WARNING:** FOR USE ONLY WITH A LISTED, GAS-FIRED UNVENTED DECORATIVE ROOM HEATER NOT TO EXCEED 40,000 BTU/H.

**DO NOT BUILD A WOOD FIRE.**

**⚠ WARNING:** If the information in these instructions is not followed exactly, a fire or explosion may result causing property damage, personal injury or death.

- Do not store or use gasoline or other flammable vapors and liquids in the vicinity of this or any other appliance.
- **WHAT TO DO IF YOU SMELL GAS**
  - Do not try to light any appliance.
  - Do not touch any electrical switch; do not use any phone in your building.
  - Leave the building immediately
  - Immediately call your gas supplier from a neighbor's phone. Follow the gas supplier's instructions.
  - If you cannot reach your gas supplier, call the fire department.
- Installation and service must be performed by a qualified installer, service agency or the gas supplier.

**Thank you for your purchase. We appreciate your business!**

Please carefully read and follow all instructions in this manual. **Pay special attention to all warnings and safety information.**

Following these safety, care, and operation instructions will help ensure many years of dependable and enjoyable service from your fireplace.

**Please read and understand these instructions before installing or operating.**



## TABLE OF CONTENTS

Safety.....	2
Local Codes .....	3
Product Features.....	3
Requirements for the Commonwealth of Massachusetts.....	3
Locating Firebox .....	3
Product Specifications .....	4
Air for Combustion and Ventilation .....	7
Installation .....	9
Parts .....	16
Technical Service .....	15
Replacement Parts.....	15
Accessories.....	15
Warranty .....	23

## SAFETY

**NOTICE:** The firebox canopy must not be modified or replaced with a canopy that may be provided with the unvented decorative room heater.

**IMPORTANT:** Read this owner's manual carefully and completely before trying to assemble, operate or service this fireplace. Improper use of this fireplace can cause serious injury or death from burns, fire, explosion, electrical shock and carbon monoxide poisoning.

**⚠ DANGER:** Carbon monoxide poisoning may lead to death!

**⚠ WARNING:** Any change to this firebox or its controls can be dangerous.

**⚠ WARNING:** Do not allow fans to blow directly into the firebox. Avoid any drafts that alter burner flame patterns. Ceiling fans can create drafts that alter burner flame patterns. Altered burner patterns can cause sooting.

**⚠ WARNING:** Do not use a blower insert, heat exchanger insert or other accessory not approved for use with this firebox.

Due to high temperatures, the appliance should be located out of traffic and away from furniture and draperies.

**Do not place clothing or other flammable material on or near the appliance. Never place any objects in the firebox or on logs.**

**Firebox front and screen becomes very hot when running firebox. Keep children and adults away from hot surfaces to avoid burns or clothing ignition. Firebox will remain hot for a time after shutdown. Allow surfaces to cool before touching.**

**Carefully supervise young children when they are in the room with firebox.**

**Keep the firebox area clear and free from combustible materials, gasoline, and other flammable vapors and liquids.**

**You must operate this firebox with the provided firebox screen and hood in place. Make sure these parts are in place and screens are closed before running installed gas log heater. Replace hood with IHP catalog no. (J4353) 50", (J4354) 42", or (J4355) 36" only. This hood has been designed to keep the operation of your firebox safe and efficient.**

## **SAFETY *Continued***

1. Do not use this firebox as a wood burning fireplace. Use only decorative unvented room heaters (log sets).
2. Do not add extra logs or ornaments such as pine cones, vermiculite or rock wool. Using these added items can cause sooting.
3. Use only the provided hood. See [Parts](#), page 17.
4. Vent-free gas log heaters installed in these fireboxes require fresh air ventilation to run properly. See [Air for Combustion and Ventilation](#), page 7.
5. Do not run vent-free heaters installed in these fireboxes
  - where flammable liquids or vapors are used or stored
  - under dusty conditions
6. Do not use this firebox to cook food or burn paper or other objects.
7. Turn unit off and let cool before servicing. Only a qualified service person should service and repair firebox.
8. Operating vent-free heaters installed in these fireboxes above elevations of 4,500 feet could cause pilot outage.
9. Do not use the firebox if it has been under water.
10. Before using furniture polish, wax, carpet cleaner or similar products, turn heater off. If heated, the vapors from these products may create a white powder residue within burner box or on adjacent walls and furniture.
11. Provide adequate clearances around air openings.

## **LOCAL CODES**

Install and use firebox with care. Follow all local codes. In the absence of local codes, use the latest edition of The National Fuel Gas Code ANSI Z223.1/NFPA 54\*. Firebox must be electrically grounded in accordance with the National Electrical Code, ANSI/NFPA70 (latest edition).

\*Available from:

American National Standards Institute, Inc.  
25 West 43rd Street, 4th floor  
New York, NY 10036  
National Fire Protection Association, Inc.  
1 Batterymarch Park  
Quincy, MA 02169-7471

## **PRODUCT FEATURES**

### **OPERATION**

This firebox is designed for use with approved ANSI Z21.11.2 decorative type unvented room heaters. (Physical size limitations apply. Refer to minimum firebox requirements supplied with log heater.) It requires no outside venting or chimney making installation easy and inexpensive.

**State of Massachusetts:** The installation must be made by a licensed plumber or gas fitter in the Commonwealth of Massachusetts.

Sellers of unvented propane or natural gas-fired supplemental room heaters shall provide to each purchaser a copy of 527 CMR 30 upon sale of the unit.

Vent-free gas products are prohibited for bedroom and bathroom installation in the Commonwealth of Massachusetts.

## **COMMONWEALTH OF MASSACHUSETTS REQUIREMENTS**

These appliances are approved for installation in the US state of Massachusetts if the following additional requirements are met:

- Un-vented Room Heaters shall be installed in accordance with 527 CMR 30.
- Installation and repair must be done by a plumber or gas fitter licensed in the Commonwealth of Massachusetts.
- The flexible gas line connector used shall not exceed 36 inches (92 centimeters) in length.
- The individual manual shut-off must be a T-handle type valve.
- Unvented appliances may NOT be installed in bedrooms or bathrooms.
- A working smoke detector must be installed in the area where vent-free appliances are installed.

Seller of unvented propane or natural gas-fired supplemental room heaters shall provide to each purchaser a copy of 527 CMR 30 upon sale of the unit.

## **LOCATING FIREBOX**

### **PLANNING**

Plan where you will install the firebox. This will save time and money later when you install the firebox. Before installation, consider the following:

1. Where firebox will be located. Allow for wall and ceiling clearances (see [Installation Clearances](#), page 9).
2. Everything needed to complete installation.
3. These models CANNOT be installed in a bedroom unless maximum Btu rating of installed vent-free log set is less than 10,000 Btu/hr.
4. Proper air for combustion and ventilation (page 7).

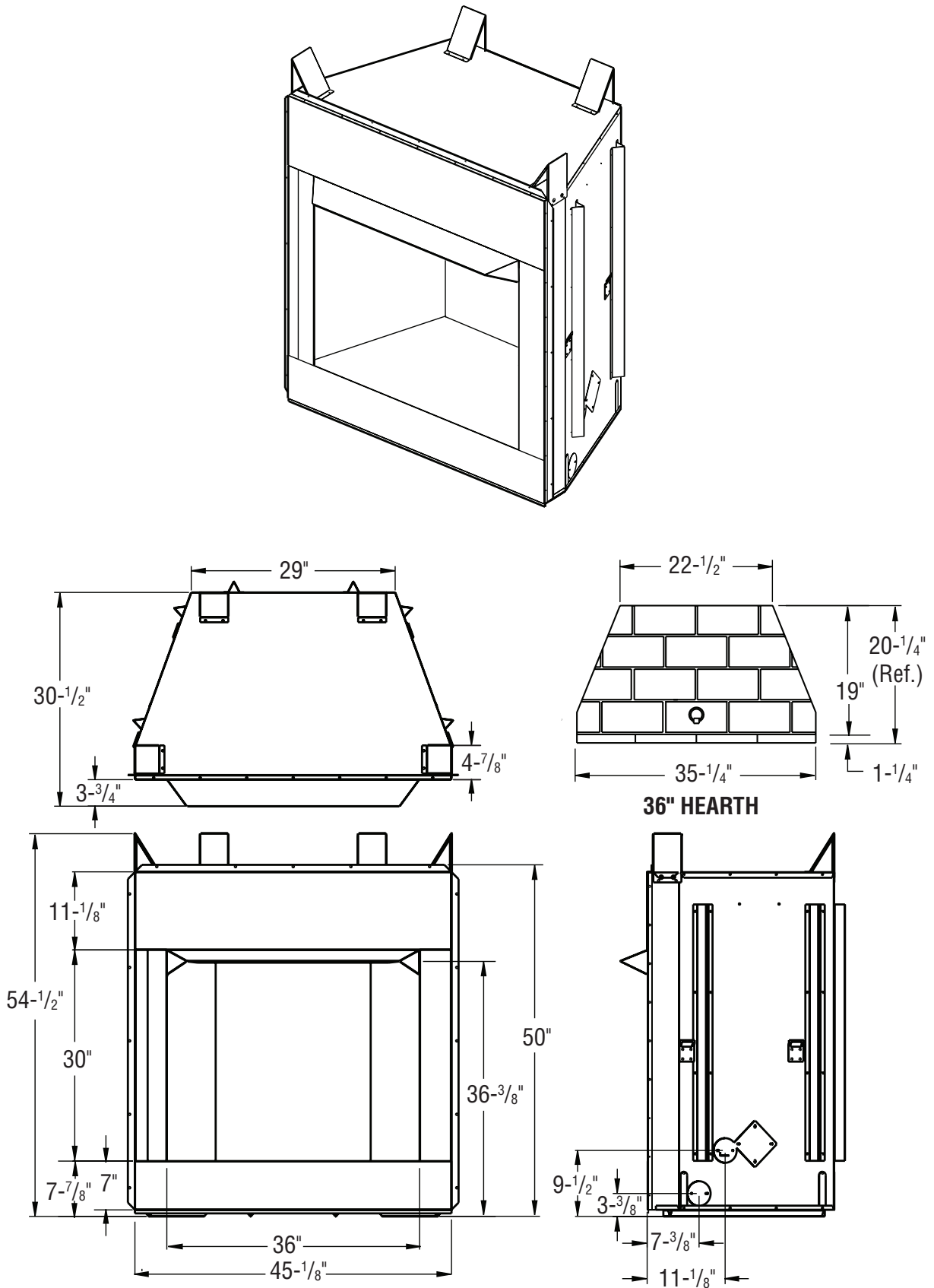
### **OUTDOOR ENCLOSURE REQUIREMENTS**

**Must conform to one of the following conditions:**

- With walls on all sides, but with no overhead cover;
- Within a partial enclosure which includes an overhead cover and no more than two side walls. These side walls may be parallel, as in breezeway or at right angles to each side; or
- Within a partial enclosure which includes an overhead cover and three sidewalls, as long as 30% or more of the horizontal periphery of the enclosure is permanently open.

**PRODUCT SPECIFICATIONS**

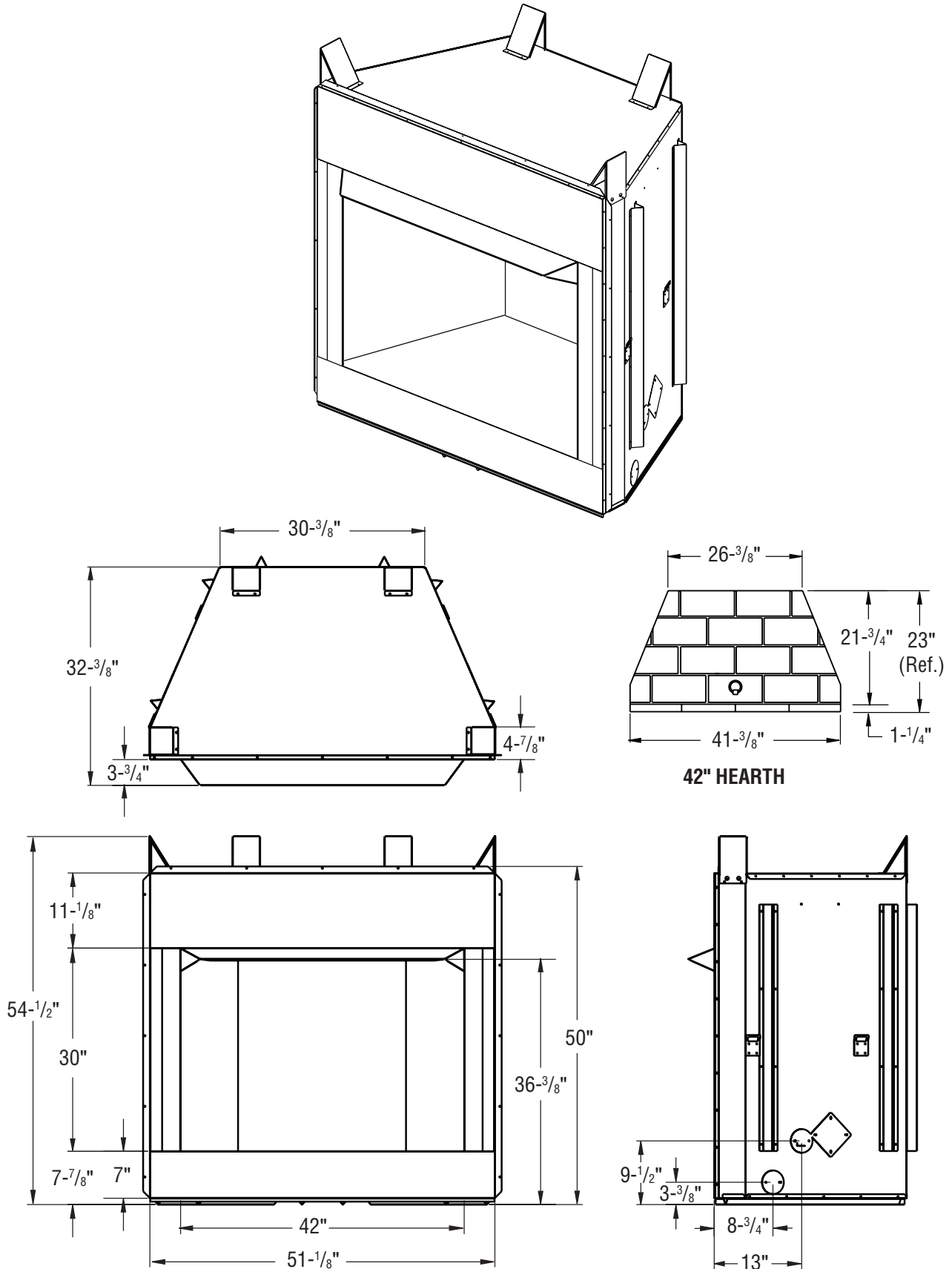
**36" MODELS**



*Figure 1 - Venetian36*

**PRODUCT SPECIFICATIONS** *Continued*

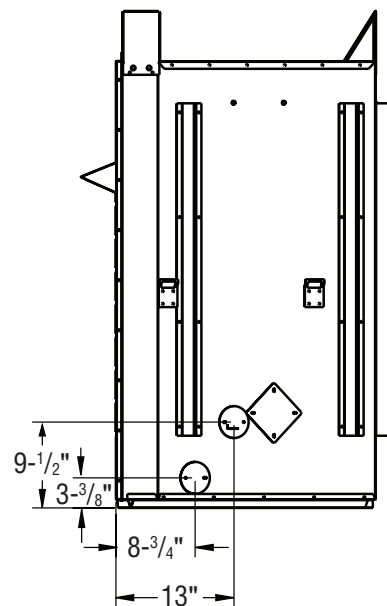
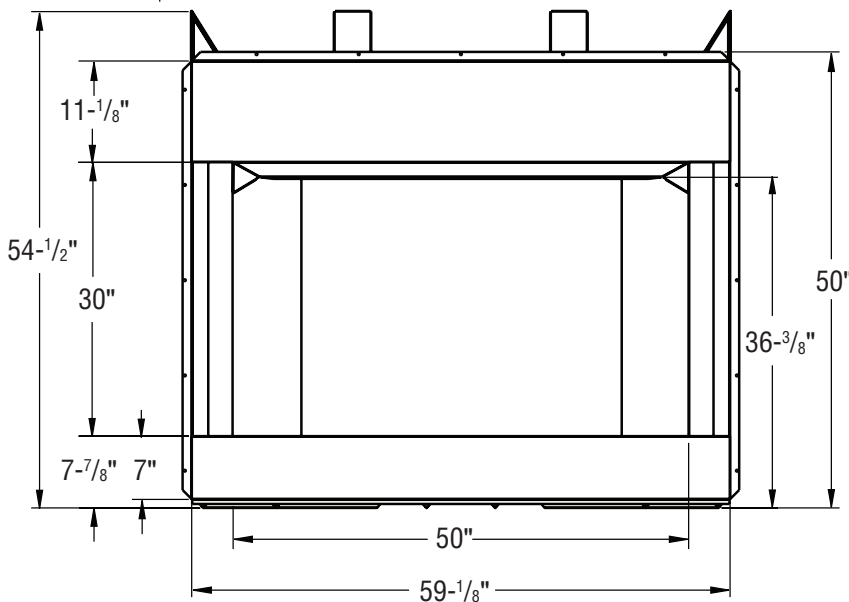
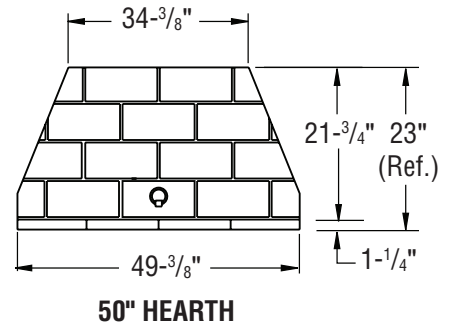
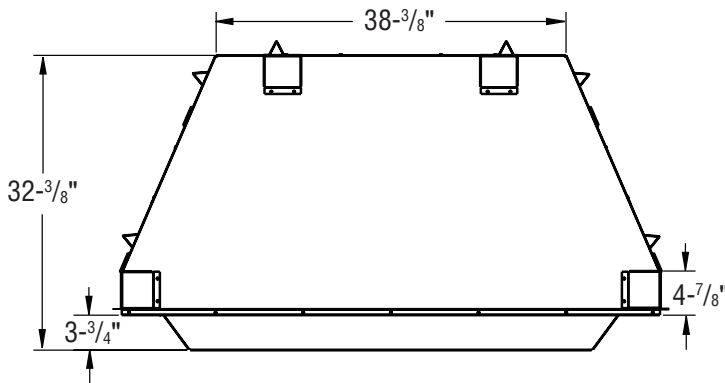
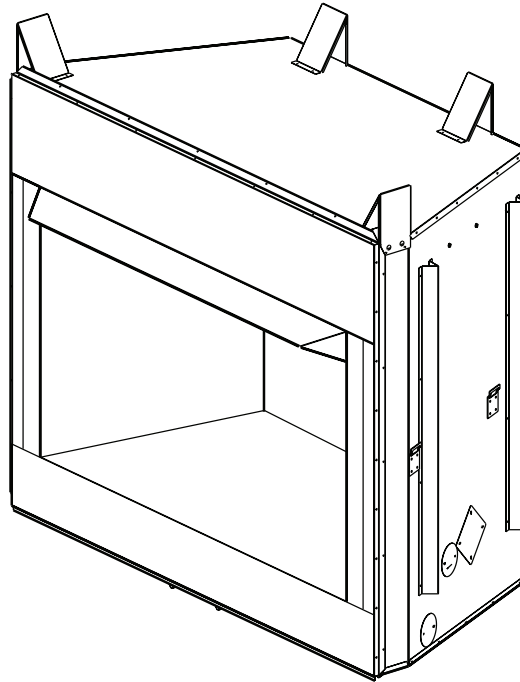
**42" MODELS**



**Figure 2 - Venetian42**

**PRODUCT SPECIFICATIONS *Continued***

**50" MODELS**



**Figure 3 - Venetian50**

## AIR FOR COMBUSTION AND VENTILATION

**⚠ WARNING: This firebox shall not be installed in a room or space unless the required volume of indoor combustion air is provided by the method described in the National Fuel Gas Code, ANSI Z223.1/NFPA 54, the International Fuel Gas Code, or applicable local codes. Read the following instructions to insure proper fresh air for this and other fuel-burning appliances in your home.**

Today's homes are built more energy efficient than ever. New materials, increased insulation and new construction methods help reduce heat loss in homes. Home owners weather strip and caulk around windows and doors to keep the cold air out and the warm air in. During heating months, home owners want their homes as airtight as possible.

While it is good to make your home energy efficient, your home needs to breathe. Fresh air must enter your home. All fuel-burning appliances need fresh air for proper combustion and ventilation.

Exhaust fans, fireplaces, clothes dryers and fuel burning appliances draw air from the house to operate. You must provide adequate fresh air for these appliances. This will insure proper venting of vented fuel-burning appliances.

### PROVIDING ADEQUATE VENTILATION

The following are excerpts from National Fuel Gas Code, ANSI Z223.1/NFPA 54, Air for Combustion and Ventilation.

All spaces in homes fall into one of the three following ventilation classifications:

1. Unusually Tight Construction
2. Unconfined Space
3. Confined Space

The information on pages 7 through 8 will help you classify your space and provide adequate ventilation.

#### Unusually Tight Construction

The air that leaks around doors and windows may provide enough fresh air for combustion and ventilation. However, in buildings of unusually tight construction, you must provide additional fresh air.

Unusually tight construction is defined as construction where:

- a. walls and ceilings exposed to the outside atmosphere have a continuous water vapor retarder with a rating of one perm ( $6 \times 10^{-11}$  kg per pa-sec- $m^2$ ) or less with openings gasketed or sealed and
- b. weather stripping has been added on openable windows and doors and
- c. caulking or sealants are applied to areas such as joints around window and door frames, between sole plates and floors, between wall-ceiling joints, between wall panels, at penetrations for plumbing, electrical and gas lines and at other openings.

If your home meets all of the three criteria above, you must provide additional fresh air. See Ventilation Air From Outdoors, page 8.

If your home does not meet all of the three criteria above, proceed to Determining Fresh-Air Flow For Firebox Location.

### Confined and Unconfined Space

The National Fuel Gas Code, ANSI Z223.1/NFPA 54 defines a confined space as a space whose volume is less than 50 cubic feet per 1,000 Btu per hour (4.8  $m^3$  per kw) of the aggregate input rating of all appliances installed in that space and an unconfined space as a space whose volume is not less than 50 cubic feet per 1,000 Btu per hour (4.8  $m^3$  per kw) of the aggregate input rating of all appliances installed in that space. Rooms communicating directly with the space in which the appliances are installed\*, through openings not furnished with doors, are considered a part of the unconfined space.

\* Adjoining rooms are communicating only if there are doorless passageways or ventilation grills between them.

### DETERMINING FRESH-AIR FLOW FOR FIREBOX LOCATION

#### Determining if You Have a Confined or Unconfined Space

Use this work sheet to determine if you have a confined or unconfined space.

Space: Includes the room in which you will install heater plus any adjoining rooms with doorless passageways or ventilation grills between the rooms.

1. Determine the volume of the space (length x width x height).  
Length x Width x Height = \_\_\_\_\_ cu. ft. (volume of space)  
Example: Space size 22 ft. (length) x 18 ft. (width) x 8 ft. (ceiling height) = 3,168 cu. ft. (volume of space)  
If additional ventilation to adjoining room is supplied with grills or openings, add the volume of these rooms to the total volume of the space.
2. Multiply the space volume by 20 to determine the maximum Btu/Hr the space can support.  
\_\_\_\_\_ (volume of space) x 20 = (Maximum Btu/Hr the space can support)  
Example: 3,168 cu. ft. (volume of space) x 20 = 63,360 (maximum Btu/Hr space can support)
3. Add the Btu/Hr of all fuel burning appliances in the space.  
Vent-free fireplace \_\_\_\_\_ Btu/Hr  
Gas water heater\* \_\_\_\_\_ Btu/Hr  
Gas furnace \_\_\_\_\_ Btu/Hr  
Vented gas heater \_\_\_\_\_ Btu/Hr  
Gas fireplace logs \_\_\_\_\_ Btu/Hr  
Other gas appliances\*+ \_\_\_\_\_ Btu/Hr  
Total = \_\_\_\_\_ Btu/Hr  
\* Do not include direct-vent gas appliances. Direct-vent draws combustion air from the outdoors and vents to the outdoors.  
Example:  
Gas water heater 40,000 Btu/Hr  
Vent-free fireplace+ 39,000 Btu/Hr  
Total = 79,000 Btu/Hr
4. Compare the maximum Btu/Hr the space can support with the actual amount of Btu/Hr used.  
\_\_\_\_\_ Btu/Hr (maximum the space can support)  
\_\_\_\_\_ Btu/Hr (actual amount of Btu/Hr used)  
**Example:** 63,360 Btu/Hr (maximum the space can support)  
79,000 Btu/Hr (actual amount of Btu/Hr used)



## AIR FOR COMBUSTION AND VENTILATION *Continued*

The space in the example is a confined space because the actual Btu/Hr used is more than the maximum Btu/Hr the space can support. You must provide additional fresh air. Your options are as follows:

- A. Rework worksheet, adding the space of an adjoining room. If the extra space provides an unconfined space, remove door to adjoining room or add ventilation grills between rooms. See Ventilation Air From Inside Building.
- B. Vent room directly to the outdoors. See Ventilation Air From Outdoors.
- C. Install a lower Btu/Hr fireplace, if lower Btu/Hr size makes room unconfined.

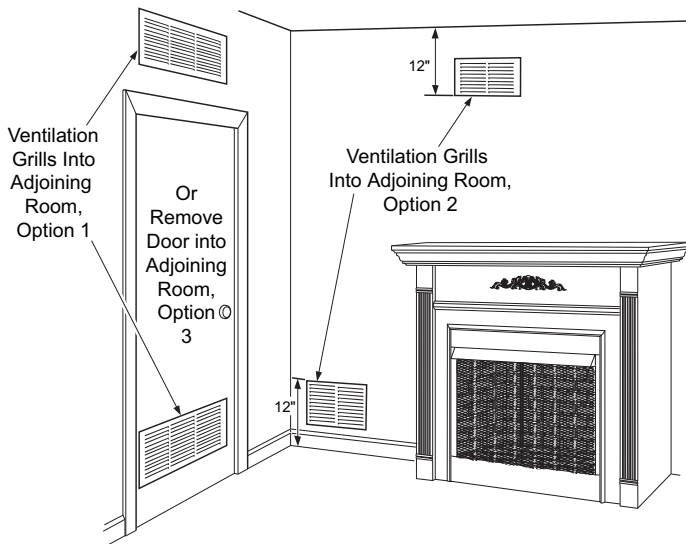
If the actual Btu/Hr used is less than the maximum Btu/Hr the space can support, the space is an unconfined space. You will need no additional fresh air ventilation.

**⚠ WARNING: If the area in which the heater may be operated does not meet the required volume for indoor combustion air, combustion and ventilation air shall be provided by one of the methods described in the National Fuel Gas Code, ANSI Z223.1/NFPA 54, the International Fuel Gas Code, or applicable local codes.**

### VENTILATION AIR

#### Ventilation Air From Inside Building

This fresh air would come from an adjoining unconfined space. When ventilating to an adjoining unconfined space, you must provide two permanent openings: one within 12" of the ceiling and one within 12" of the floor on the wall connecting the two spaces (see options 1 and 2, Figure 4). You can also remove door into adjoining room (see option 3, Figure 4). Follow the National Fuel Gas Code, ANSI Z223.1/NFPA 54, Air for Combustion and Ventilation for required size of ventilation grills or ducts.

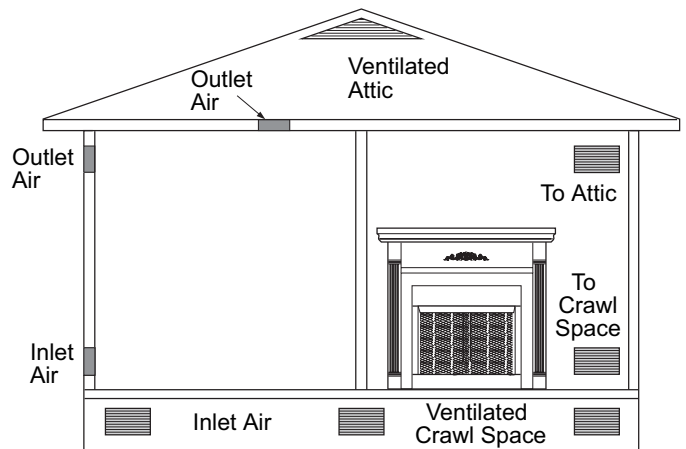


**Figure 4 - Ventilation Air from Inside Building**

#### Ventilation Air From Outdoors

Provide extra fresh air by using ventilation grills or ducts. You must provide two permanent openings: one within 12" of the ceiling and one within 12" of the floor. Connect these items directly to the outdoors or spaces open to the outdoors. These spaces include attics and crawl spaces. Follow the National Fuel Gas Code, ANSI Z223.1/NFPA 54, Air for Combustion and Ventilation for required size of ventilation grills or ducts.

**IMPORTANT: Do not provide openings for inlet or outlet air into attic if attic has a thermostat-controlled power vent. Heated air entering the attic will activate the power vent.**



**Figure 5 - Ventilation Air from Outdoors**



## INSTALLATION

**⚠ WARNING: A qualified service person must install firebox. Follow all local codes.**

**⚠ WARNING: Never install firebox**

- in a bedroom or bathroom\*
- in a recreational vehicle
- where curtains, furniture, clothing, or other flammable objects are less than 36" from front or 42" from top of firebox; for side clearances see Figure 6
- in high traffic areas
- in windy or drafty areas

\* Unless installed log set is rated at 10,000 Btu/Hr or less, 6,000 for bathrooms

**⚠ CAUTION: Log heaters installed in this firebox create warm air currents. These currents move heat to wall surfaces next to firebox. Installing firebox next to vinyl or cloth wall coverings or operating firebox where impurities (such as, but not limited to, tobacco smoke, aromatic candles, cleaning fluids, oil or kerosene lamps, etc.) in the air exist, may discolor walls or cause odors.**

**NOTICE: The firebox identification label (including model number, serial number, clearances, etc.) is located on a chain under the bottom refractory.**

**IMPORTANT:** Vent-free gas log heaters add moisture to the air. Although this is beneficial, installing firebox in rooms without enough ventilation air may cause mildew to form from too much moisture. See, page 7.

**IMPORTANT:** Make sure the firebox is level. If firebox is not level, log set will not work properly.

**Note:** Your firebox is designed to be used in zero clearance installations. Wall or framing material can be placed against any exterior surface on the rear, sides, top or bottom of your firebox, except where standoff spacers are integrally attached. If standoff spacers are attached to your firebox, these spacers can be placed directly against wall or framing materials. Use the dimensions shown for rough opening to create the easiest installation.

Use dimensions shown for rough openings to create the easiest installation (see [Built-In Firebox Installation](#), page 10).

### INSTALLATION CLEARANCES

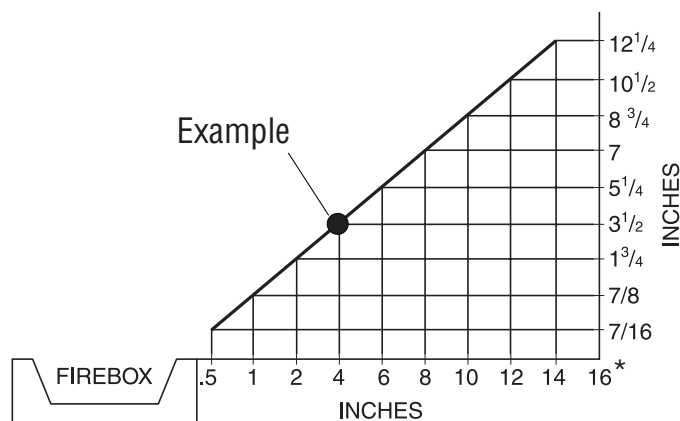
**⚠ WARNING: Maintain the minimum clearances. If you can, provide greater clearances from floor, ceiling, and adjoining wall.**

Carefully follow the instructions below. This will ensure safe installation.

#### Minimum Wall and Ceiling Clearances (see Figure 6)

- Clearances from the side of the fireplace cabinet to any combustible material and wall should follow diagram in Figure 6.  
Example: The face of a mantel, bookshelf, etc. is made of combustible material and protrudes 3 1/2" from the wall. This combustible material must be 4" from the side of the fireplace cabinet (see Figure 6).
- Clearances from the top of the firebox opening to the ceiling should not be less than 42".
- When the firebox is installed directly on carpeting, tile or other combustible material, other than wood flooring, the firebox should be installed on a metal or wood panel extending the full width and depth of the enclosure.
- Clearances from the bottom of firebox to the floor is 0".

These fireboxes can be installed as freestanding units against a wall with approved cabinet mantels that may be available from your retailer or supplier, or as a built-in unit. The clearances are the same for either installation method.



\*Minimum 16" from Side Wall

**Figure 6 - Minimum Clearance for Combustible to Wall**

## INSTALLATION *Continued*

### Mantel Clearances for Built-In Installation

If placing custom mantel above built-in firebox, you must meet the minimum allowable clearance between mantel shelf and top of firebox opening shown in Figure 7. These are the minimum allowable mantel clearances for a safe installation. Use larger clearances wherever possible to minimize the heating of objects and materials placed on the mantel.

**CAUTION:** Do not allow the vent-free gas log heater to touch or extend beyond the fireplace screen.

**NOTICE:** Surface temperatures of adjacent walls and mantels become hot during operation. Walls and mantels above the firebox may become hot to the touch. If installed properly, these temperatures meet the requirement of the national product standard. Follow all minimum clearances shown in this manual.

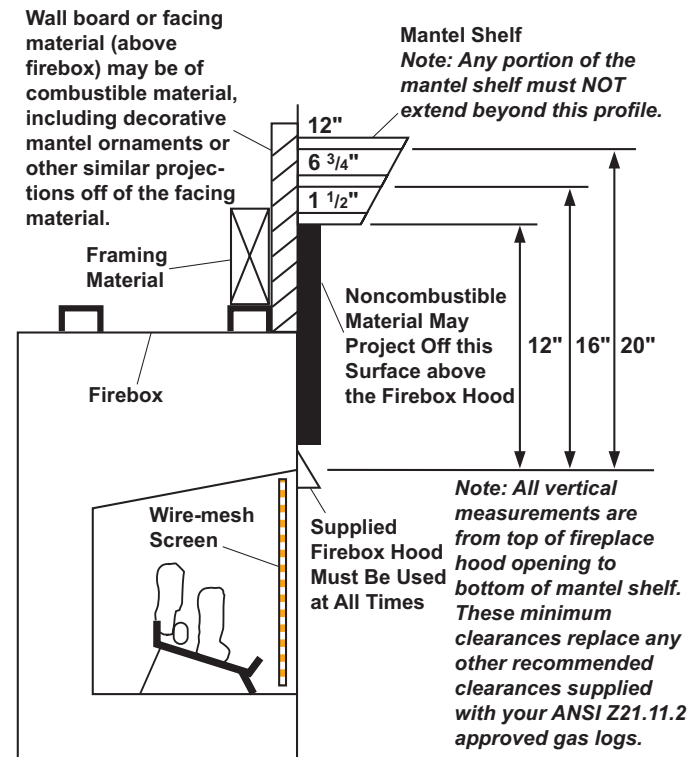


Figure 7 - Minimum Mantel Clearances for Built-In Installation

**NOTICE:** If your installation does not meet the minimum clearances shown, you must do one of the following:

- raise the mantel to an acceptable height
- remove the mantel

### BUILT-IN FIREBOX INSTALLATION

Built-in installation of this firebox involves installing firebox into a framed-in enclosure. This makes the front of firebox flush with wall. If installing a mantel above the firebox, you must follow the clearances shown in Figure 7. Follow these instructions to install the firebox in this manner.

1. Frame in rough opening. The firebox framing should be constructed of 2 x 4 lumber or heavier. Use dimensions and rough opening layout in Figure 8. Adjust framing so that firebox flushes with finished wall surface. If installing in a corner, use dimensions in Figure 9, for rough opening.
2. Install gas piping to firebox location. See [Gas Line Installation](#) on page 14 and [Connecting to Gas Supply](#) in log set owner's manual.

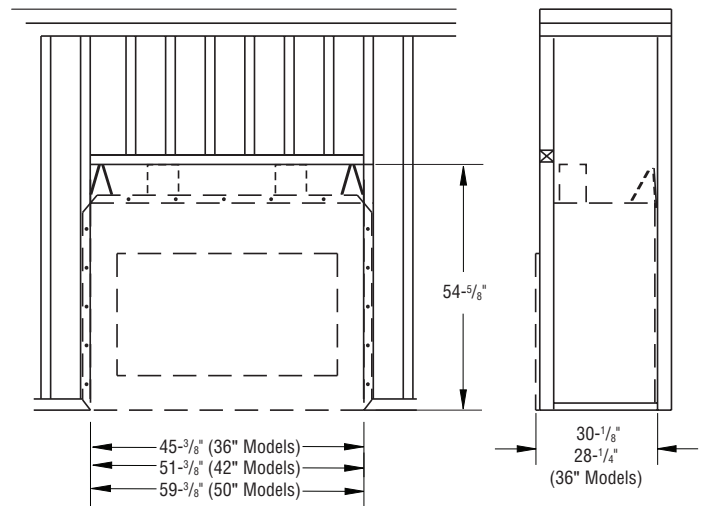


Figure 8 - Framing Dimensions

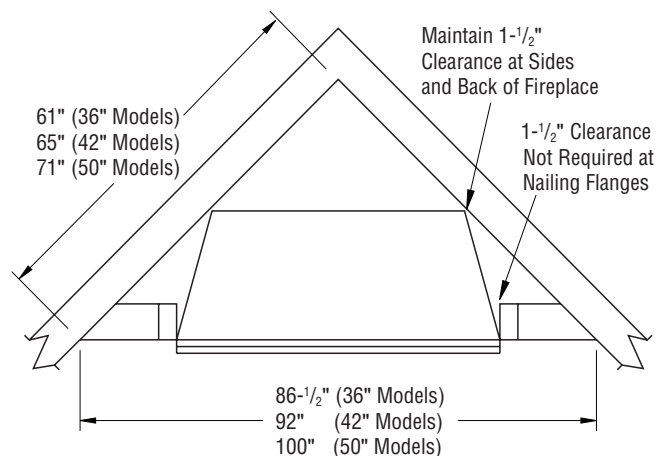


Figure 9 - Corner Installation

3. Carefully set firebox in front of rough opening with back of firebox inside wall opening.
4. Carefully insert firebox into rough opening.
5. Attach firebox to wall studs using nails or wood screws through holes in nailing flange (see Figure 10, page 11).
6. Install and properly test gas log heater. Follow installation instructions included with the vent-free gas log heater that is being installed.

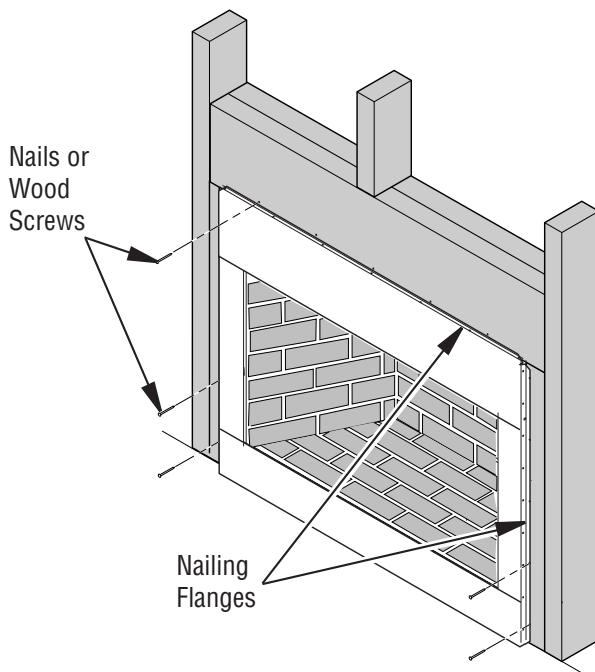
## INSTALLATION *Continued*

**IMPORTANT:** When finishing your firebox, combustible materials such as wall board, gypsum board, sheet rock, drywall, plywood, etc. may be butted up next to the sides and top of the firebox. Combustible materials should never overlap the firebox front facing.

**⚠ WARNING: Do not allow any combustible materials to overlap the firebox front facing.**

**IMPORTANT:** Noncombustible materials such as brick, tile, etc. may overlap the front facing, but should never cover any necessary openings.

**⚠ WARNING: Do not allow noncombustible materials to cover any necessary openings.**



**Figure 10 - Attaching Firebox to Wall Studs**

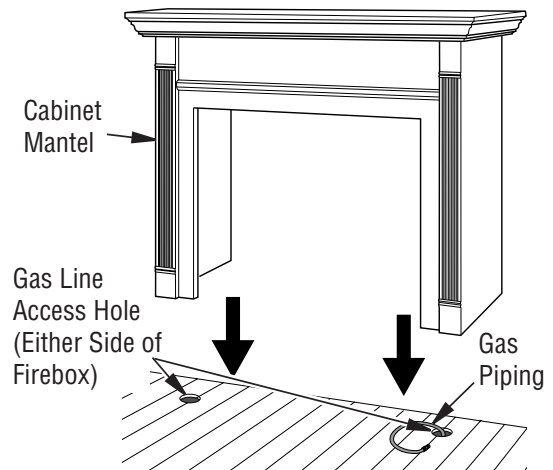
**⚠ WARNING: Use only noncombustible mortar or adhesives when overlapping the front facing with noncombustible facing material.**

### INSTALLING FIREBOX USING OPTIONAL CUSTOM BUILT MANTELS

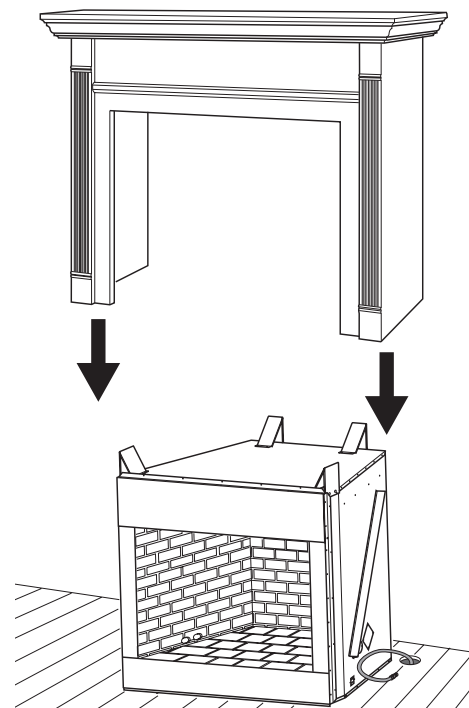
**⚠ WARNING: A qualified service person must install firebox. Follow all local codes.**

This firebox may be installed using a cabinet mantel against a wall in your home. The firebox and cabinet mantel can be installed directly on the floor. Mantels may be available from your retailer or custom built for your home.

1. Assemble cabinet mantel as instructed.
2. Install gas piping to firebox location. See [Gas Line Installation](#) on page 14. You may have to cut an access hole in the floor or wall to run gas line to firebox. Make sure to locate access hole so cabinet mantel will cover it when installed (see Figure 11).
3. Place firebox on floor in desired location. Make sure mantel will be flush against wall when installed.
4. Carefully slide cabinet mantel over firebox. Be careful not to scratch firebox, cabinet mantel, flooring, etc., when installing (see Figure 12).
5. Install and properly test gas log heater. Follow installation instructions included with the vent-free gas log heater that is being installed.



**Figure 11 - Installing Cabinet Mantel (Mantel May Vary From Illustration)**



**Figure 12 - Inserting Firebox Into Cabinet Mantel (Mantel May Vary From Illustration)**

## INSTALLATION *Continued*

### MOSAIC MASONRY BRICK PANELS AND ESTATE REFRACTORY PANELS INSTALLATION



**NOTE:** A Mosaic Masonry brick kit or Estate liner kit is required for use with your Venetian36, Venetian42, or Venetian50 Firebox. (Not supplied, see pages 18 and 19 for models available).

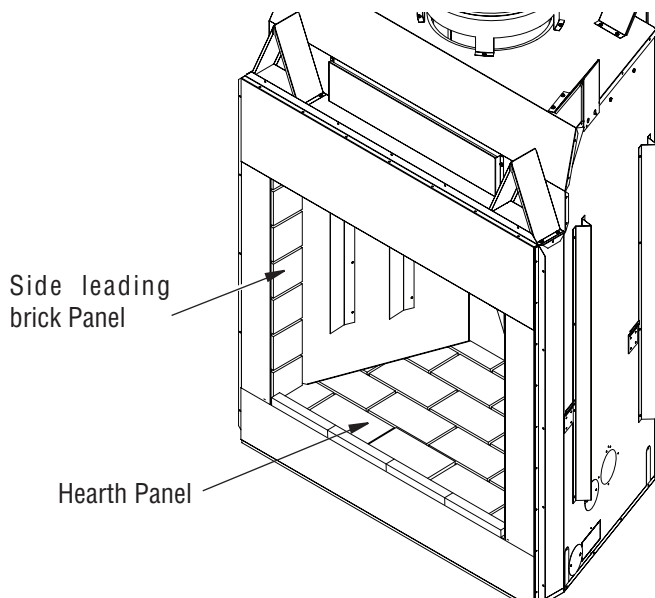
### MOSAIC MASONRY BRICK INSTALLATION

**IMPORTANT:** Installation of brick panels should be done after the fireplace is placed in a permanent location.

**Note:** Remove screen assemblies and all hardware components out of the box prior to installation.

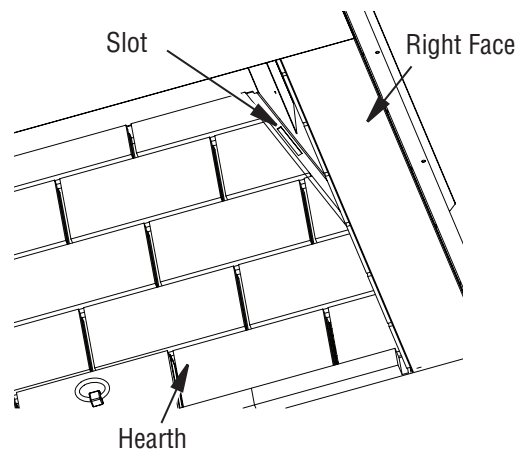
### INSTALLATION

1. Install bottom brick panel. Using at least two people, hold bottom brick panel by its side edges. Place the back edge of bottom panel into the firebox first and carefully lower the front edge of panel. Make sure bottom panel is centered in the firebox and flush with the front of the fireplace. Be careful not to pinch your fingers between the panel and firebox (Figure 13).
2. Install the left and right side leading bricks (Figure 13).



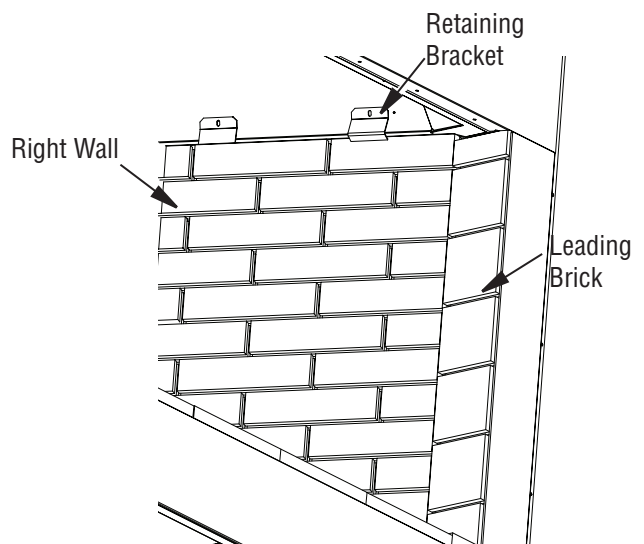
**Figure 13 - Installing Hearth and Leading Brick panels**

3. Install the left and right firebrick walls. Angle the wall into the fireplace opening and into the slots on the side of the hearth (Figure 21), then tilt the top of the panel toward the firebox surround.



**Figure 14 - Slots for Firebrick Walls**

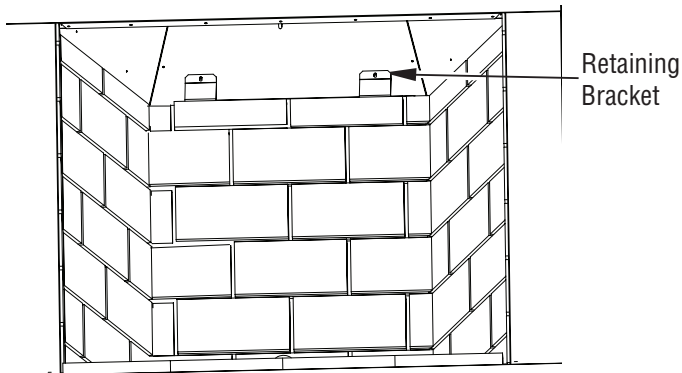
4. Secure the firebrick wall using 2 of the retainers provided. The bracket will slip underneath the metal lip on the top of the wall and screw into the inner dome of the fireplace (Figure 15).



**Figure 15 - Installing Side Walls**

5. Install the rear firebrick wall last. Place the wall face side down on the hearth with the bottom of the wall toward the rear of the firebox and the top toward the front of the fireplace. Tilt the wall up toward the back of the firebox. Secure with 2 rear retaining brackets provided (Figure 16, page 13).
6. It is recommended that the joints between all firebrick walls be grouted for a more finished look, see grouting instructions. For more information and to watch a how to video go to [Astria.US.com](http://Astria.US.com) and select Technical Support.

## INSTALLATION *Continued*



**Figure 16 - Installing Rear Wall**

### GROUTING INSTRUCTIONS

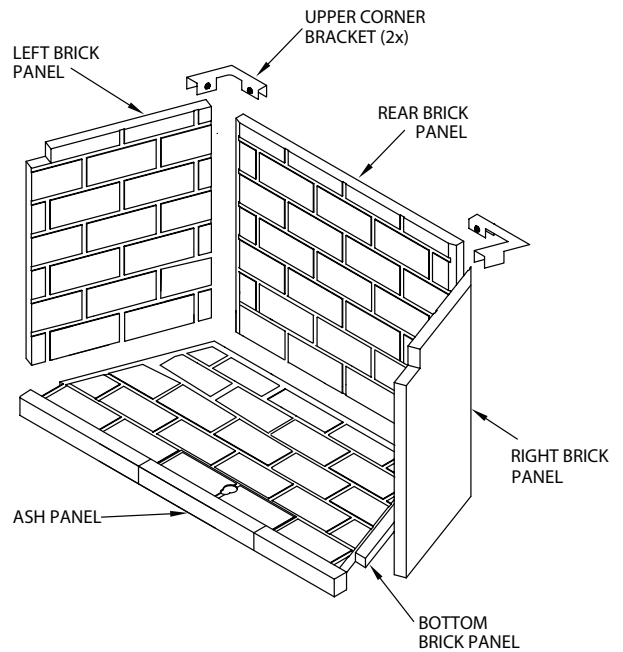
**Note: Grouting material provided with mosaic brick kit**

1. Moisten brick surface with damp sponge or spray bottle just prior to application. When bricks are wet, any excess grout mixture on bricks will easily wipe off.
2. In a heavy duty mixing bucket, add equal parts cement and sand. Add enough water and mix together well using a power drill with mixing wand attachment to a yogurt like consistency. Not adding enough water can lead to grout falling out after burning.
3. The overall length of piping bag should be about 16". If the bag is longer than 16", cut it down to size by removing end with larger opening. This will make the bag easier to handle.
4. Put grout mixture into piping bag making sure the smaller opening is downward and over a moist towel to avoid spilling. Place a wet towel over the bucket making sure it is directly on the surface of grout mixture. This will keep the mixture moist and it will not dry out before use.
5. Grout all joints where two firebrick walls come together.
6. Using a trowel, remove excess grout mixture by moving trowel in the direction of the joint. Grout mixture in the joint should now be flush with brick surface. If not enough grout is applied into each space, grout may fall out after burning.
7. Using a joint striker, smooth out grout line. **Allow 72 hours before operating fireplace.**

### ESTATE REFRACTORY PANELS INSTALLATION

**Note:** Remove screen assemblies and all hardware components out of the box prior to installation.

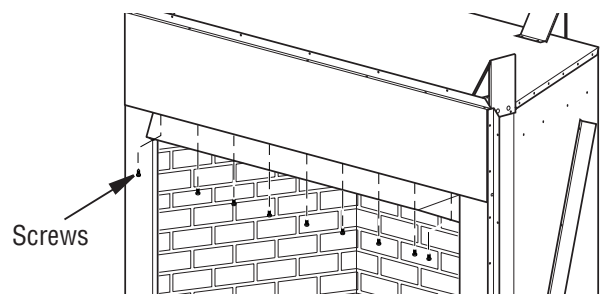
1. Install bottom brick panel. Using at least two people, hold bottom brick panel by its side edges. Place the back edge of bottom panel into the firebox first and carefully lower the front edge of panel. Make sure bottom panel is centered in the firebox and flush with the front of the fireplace. Be careful not to pinch your fingers between the panel and firebox.
2. Install rear brick panel. This panel has a top and bottom side. To determine correct position, match up the pattern on the rear panel with the right and left brick panels before installing. Make sure rear panel is centered before continuing.
3. Install the right and left brick panels with the gas line knock outs placed down toward the bottom refractory. Align the right and left brick panels with the rear panel so the grout lines line up.
4. Install upper corner brackets and tighten set screws (see Figure 17).



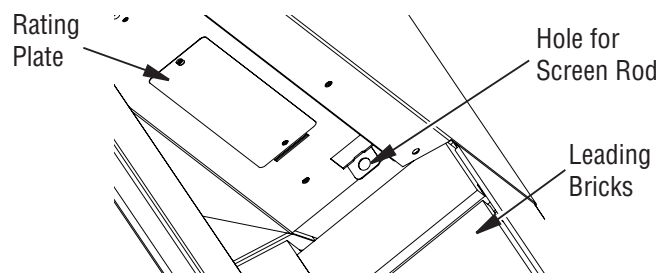
**Figure 17 - Installing Refractory Panels**

### INSTALLING FIREPLACE HOOD AND SCREENS

1. Attach hood to firebox using screws provided (see Figure 18).
1. Slide round end of screen rod into rings at top of screen. Attach one push-on nut to end of rod before attaching last ring of screen.
2. Insert the round end screen rod into hole on the left and right side of smoke shelf (Figure 19).
3. Mount flat end of screen rod with #10 x 5/8" to center of smoke shelf.
4. Install other screen rod in same manner.



**Figure 18 - Screw and Hood Placement**



**Figure 19 - Installing Fireplace Screen**



## INSTALLATION *Continued*

### GAS LINE INSTALLATION

**⚠ WARNING: A qualified service person must connect heater to gas supply. Follow all local codes.**

**IMPORTANT:** See Connecting to Gas Supply in your log set owner's manual for details on gas hookup.

Note: Before you proceed, make sure your gas supply is turned off. Use only a 1/2" black iron pipe and appropriate fittings.

1. Remove knockout indentation on refractory or firebrick wall located above refractory hearth floor. Knockout indentation must be firmly tapped with any solid object such as a 1/2" dowel until it is released. Remove fragmented portions of refractory (see Figure 20).
2. Remove gas line cover plate located on either side of fireplace and pull out insulation from gas line conduit sleeve. Save insulation for reuse. Replace screws.
3. Run a 1/2" black iron gas line into fireplace through the rear at gas line conduit sleeve (if using a raised platform, add height). Provide sufficient gas line into fireplace chamber for fitting connection (see Figure 21).

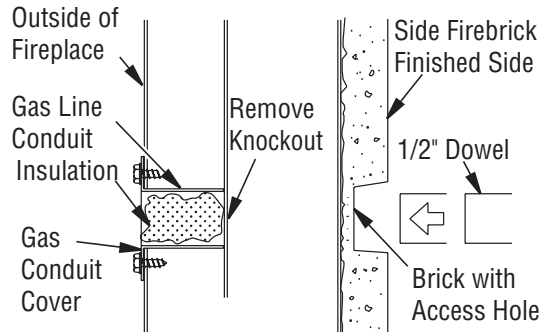
**Note:** Secure incoming gas line to wood framing to provide rigidity for threaded end.

4. Repack insulation around gas line and into sleeve opening. Seal any gaps between gas line and refractory knockout hole with refractory cement or commercial furnace cement, Install the gas appliance or cap-off gas line if desired.

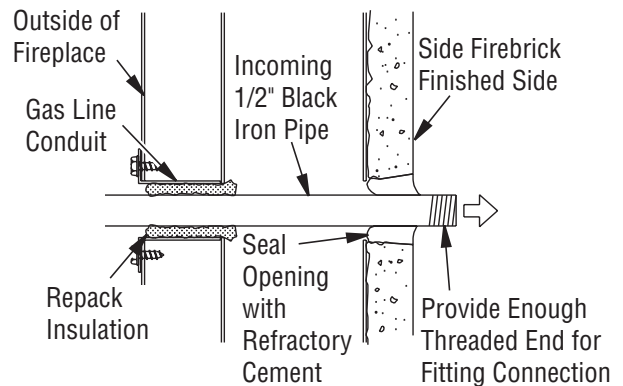
A gas line or gas log lighter may be installed for the purpose of installing a vent-free decorative gas appliance incorporating an automatic shutoff device and complying with the Standard for Decorative Gas Appliances for Installation in Vented Fireplaces, ANSI Z21.60 or American Gas Association draft requirements for Gas Fired Log Lighters for Wood Burning Fireplaces, Draft No. 4 dated August, 1993.

When installing an unvented (vent-free) gas log set, only unvented gas log sets which have been found to comply with the standard for unvented room heaters, ANSI Z21.11.2 are to be installed in this fireplace.

**⚠ CAUTION: All gas piping and connections must be tested for leaks after the installation is completed. After ensuring that the gas valve is on, apply soap and water solution to all connections and joints. Bubbles forming show a leak. Correct all leaks at once. DO NOT USE AN OPEN FLAME FOR LEAK TESTING AND DO NOT OPERATE ANY APPLIANCE IF A LEAK IS DETECTED. LEAK TESTING SHOULD BE DONE BY A QUALIFIED SERVICE PERSON.**



**Figure 20 - Gas Line Access**



**Figure 21 - Gas Line Installation**

## TECHNICAL SERVICE

You may have further questions about installation, operation, or troubleshooting. Please contact your IHP dealer for any questions or concerns. When contacting your dealer please have your model and serial numbers of your fireplace ready. You can also visit our web site at [Astria.US.com](http://Astria.US.com).

## REPLACEMENT PARTS

See Pages 16 to 19 for a complete replacement parts list. Use only parts supplied from the manufacturer.

Normally, all parts should be ordered through your IHP distributor or dealer. Parts will be shipped at prevailing prices at time of order.

## REPLACEMENT PARTS *Continued*

When ordering repair parts, always give the following information:

1. The model number of the fireplace.
2. The serial number of the fireplace.
3. The part number.
4. The description of the part.
5. The quantity required.
6. The installation date of the fireplace.

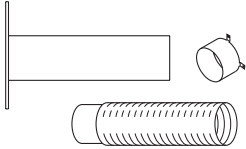
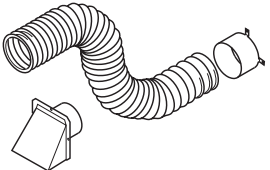
If you encounter any problems or have any questions concerning the installation or application of this fireplace, please contact your dealer.

### IHP

**1508 Elm Hill Pike, Suite 108**  
**Nashville, TN 37210**  
**Visit us at [Astria.US.com](http://Astria.US.com)**

## ACCESSORIES

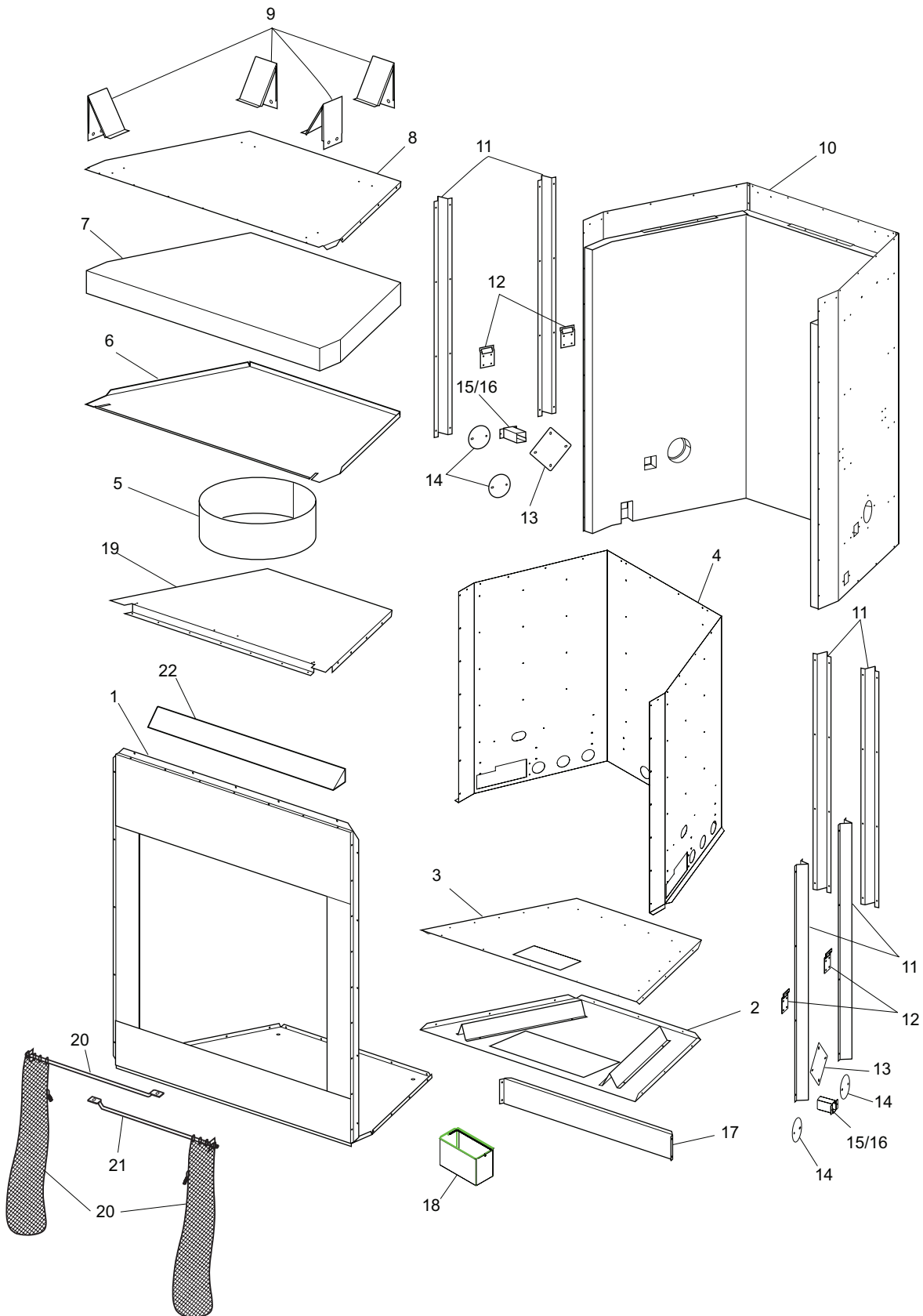
Purchase this accessory thru your IHP distributor or dealer.

CAT NO.	MODEL	DESCRIPTION	
<b>OPTIONAL AIR KITS</b>			
F1091	AK4F	Outside Air Kit For Floor Installation	
F1094	AK4	Outside Air Kit For Sidewall Installation	



# PARTS

36", 42", AND 50" MODELS



## PARTS

This list contains replaceable parts used in your firebox. When ordering parts, follow the instructions listed under [Replacement Parts](#) on page 15 of this manual.

**⚠ WARNING: Contact an IHP dealer to obtain any of these parts. Never use substitute materials not approved by IHP. Use of non-approved parts can result in poor performance and safety hazards.**

KEY NO.	CATALOG NO.	DESCRIPTION	Venetian36 F0546	Venetian42 F0547	Venetian50 F0548	QTY.
1	**	FACE ASSEMBLY	•	•	•	1
2	**	FIREBOX BOTTOM ASSEMBLY	•	•	•	1
3	**	FIREBOX BOTTOM	•	•	•	1
4	**	FIREBOX SURROUND	•	•	•	1
5	**	INSULATION PAN SUPPORT	•	•	•	1
6	**	INSULATION PAN	•	•	•	1
7	**	TOP INSULATION	•	•	•	1
8	RP110454-03	TOP, FIREPLACE 36"	•			1
	RP110454-02	TOP, FIREPLACE 42"		•		1
	RP110454-01	TOP, FIREPLACE 50"			•	1
9	J6997	SPACER, FIREPLACE TOP 42MC	•	•	•	4
10	**	FIREPLACE SURROUND ASSEMBLY	•	•	•	1
11	J4362	SPACER, CLEARANCE 36/42/50"	•	•	•	6
12	J5329	BRACKET, F/P HANDLE	•	•	•	4
13	J6900	PLATE, OUTSIDE AIR COVER 36E44-6	•	•	•	2
14	J6934	COVER, GAS CONDUIT PLATE 36E	•	•	•	4
15	J4368	GAS, CONDUIT ONE	•	•	•	2
16	J4369	GAS, CONDUIT TWO	•	•	•	2
17	**	HEAT SHIELD SUPPORT	•	•	•	1
18	J6020	ASSY, ASH BOX "ALPHA"	•	•	•	1
19	**	FIREBOX TOP	•	•	•	1
20	J5307	SCREEN, STAINLESS 29.312"HX 23"	•			2
	J5306	SCREEN, STAINLESS 29.312"HX 30"			•	2
	J5305	SCREEN, STAINLESS 29.312"HX 26"		•		2
21	J5310	ROD, SCREEN FORMED S.S. JM36	•			2
	J5309	ROD, SCREEN FORMED S.S. JM50			•	2
	J5308	ROD, SCREEN FORMED S.S. JM42		•		2
22	J4353	HOOD, DEFLECTOR 50" S.S.			•	1
	J4354	HOOD, DEFLECTOR 42" S.S.		•		1
	J4355	HOOD, DEFLECTOR 36" S.S.	•			1
<b>PARTS AVAILABLE NOT SHOWN</b>						
	J4357	SPACER, REFRACTORY 36	•	•	•	4
	RP114913-01	REAR REFRACTORY SPACERS	•	•	•	2

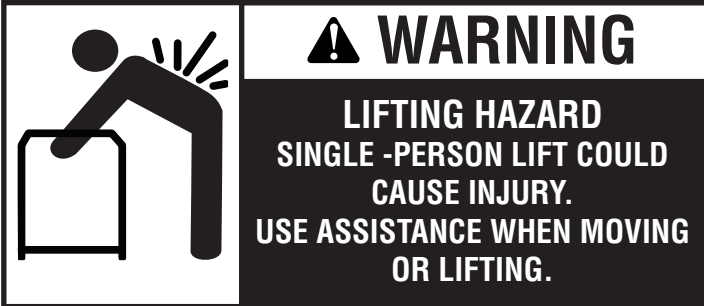
\*\* Not a field replaceable part.

## PARTS

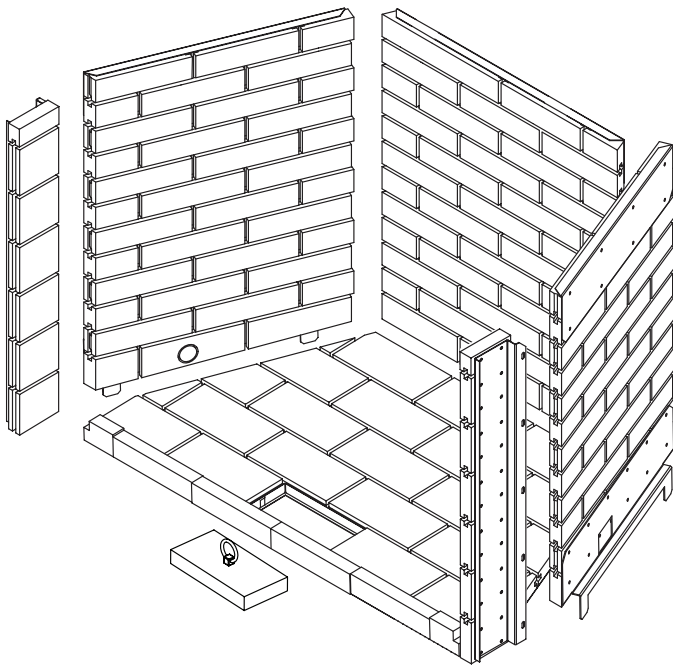
### MOSAIC MASONRY BRICK KITS

A Mosaic Masonry brick kit or Estate liner kit is required for use with your Venetian36, Venetian42, or Venetian50 Firebox. Catalog numbers are included for convenience. When ordering parts, follow the instructions listed under [Replacement Parts](#) on page 15 of this manual.

**⚠ WARNING: Contact an IHP dealer to obtain any of these parts. Never use substitute materials not approved by IHP. Use of non-approved parts can result in poor performance and safety hazards.**



**IMPORTANT: Installation of brick panels should be done after the fireplace is placed in a permanent location.**



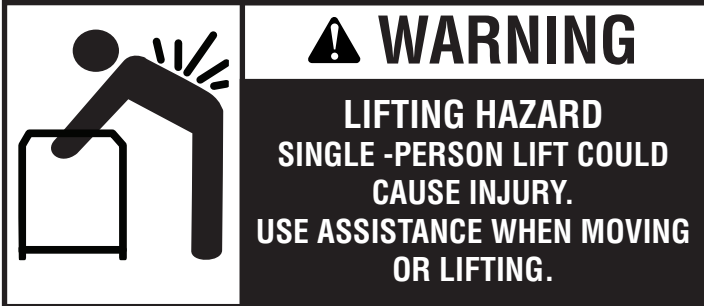
CATALOG NO.	MODEL NO.	DESCRIPTION
F0334	Mosaic36M2	Red Full Stacked
F0335	Mosaic36M4	Red Split Stacked
F0336	Mosaic36M2	Ivory Full Stacked
F0337	Mosaic36M4	Ivory Split Stacked
F0338	Mosaic36M3	Red Herringbone Full
F0339	Mosaic36M5	Red Herringbone Split
F0340	Mosaic36M3	Ivory Herringbone Full
F0341	Mosaic36M5	Ivory Herringbone Split
F0342	Mosaic42M2	Red Full Stacked
F0343	Mosaic42M4	Red Split Stacked
F0344	Mosaic42M2	Ivory Full Stacked
F0345	Mosaic42M4	Ivory Split Stacked
F0346	Mosaic42M3	Red Herringbone Full
F0347	Mosaic42M5	Red Herringbone Split
F0348	Mosaic42M3	Ivory Herringbone Full
F0349	Mosaic42M5	Ivory Herringbone Split
F0350	Mosaic50M2	Red Full Stacked
F0351	Mosaic50M4	Red Split Stacked
F0352	Mosaic50M2	Ivory Stacked Full
F0353	Mosaic50M4	Ivory Split Stacked
F0354	Mosaic50M3	Red Herringbone Full
F0355	Mosaic50M5	Red Herringbone Split
F0356	Mosaic50M3	Ivory Herringbone Full
F0357	Mosaic50M5	Ivory Herringbone Split

## PARTS

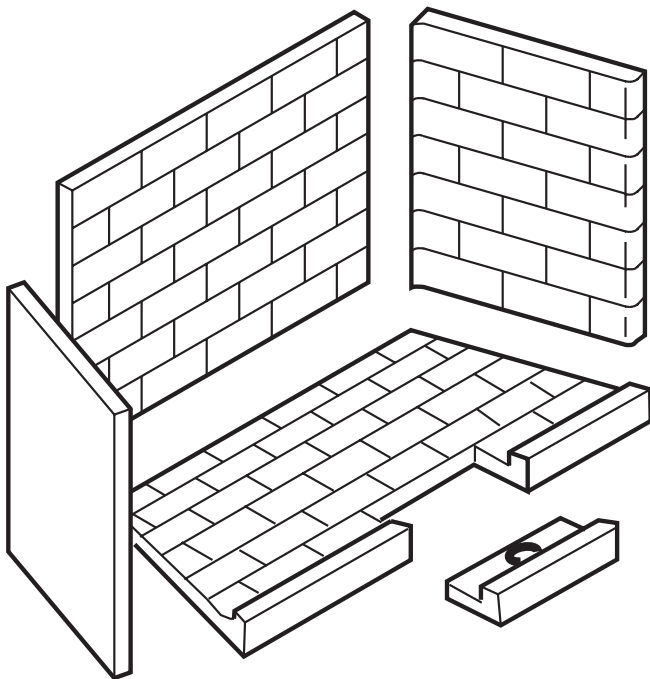
### ESTATE LINER KITS

An Estate liner kit or Mosaic Masonry brick kit is required for use with your Venetian36, Venetian42, or Venetian50 Firebox. Catalog numbers are included for convenience. When ordering parts, follow the instructions listed under [Replacement Parts](#) on page 15 of this manual.

**⚠ WARNING: Contact an IHP dealer to obtain any of these parts. Never use substitute materials not approved by IHP. Use of non-approved parts can result in poor performance and safety hazards.**



**IMPORTANT: Installation of brick panels should be done after the fireplace is placed in a permanent location.**



CATALOG NO.	MODEL NO.	DESCRIPTION
F0358	Estate36P2	Stacked "Rust"
F0359	Estate36P2	Stacked "Cappuccino"
F0360	Estate36P2	Stacked "Creamer"
F0361	Estate36P2	Stacked "Gray"
F0362	Estate36P3	Herringbone "Rust"
F0363	Estate36P3	Herringbone "Cappuccino"
F0364	Estate36P3	Herringbone "Creamer"
F0365	Estate36P3	Herringbone "Gray"
F0366	Estate42P2	Stacked "Rust"
F1367	Estate42P2	Stacked "Cappuccino"
F0368	Estate42P2	Stacked "Creamer"
F0369	Estate42P2	Stacked "Gray"
F0370	Estate42P3	Herringbone "Rust"
F0371	Estate42P3	Herringbone "Cappuccino"
F0372	Estate42P3	Herringbone "Creamer"
F0373	Estate42P3	Herringbone "Gray"
F0374	Estate50P2	Stacked "Rust"
F0375	Estate50P2	Stacked "Cappuccino"
F0376	Estate50P2	Stacked "Creamer"
F0377	Estate50P2	Stacked "Gray"
F0378	Estate50P3	Herringbone "Rust"
F0379	Estate50P3	Herringbone "Cappuccino"
F0380	Estate50P3	Herringbone "Creamer"
F0381	Estate50P3	Herringbone "Gray"









# Innovative Hearth Products Astria® Brand Gas Fireplace Limited Lifetime Warranty

## THE WARRANTY

Innovative Hearth Products ("IHP") Limited Lifetime Warranty warrants your Astria® brand gas fireplace ("Product") to be free from defects in materials and workmanship at the time of manufacture. The Product body and firebox carry the Limited Lifetime Warranty. Ceramic glass carries the Limited Lifetime Warranty against thermal breakage only. After installation, if covered components manufactured by IHP are found to be defective in materials or workmanship during the Limited Lifetime Warranty period and while the Product remains at the site of the original installation, IHP will, at its option, repair or replace the covered components. If repair or replacement is not commercially practical, IHP will, at its option, refund the purchase price or wholesale price of the IHP product, whichever is applicable. IHP will also pay IHP prevailing labor rates, as determined in its sole discretion, incurred in repairing or replacing such components for up to five years. THERE ARE EXCLUSIONS AND LIMITATIONS to this Limited Lifetime Warranty as described herein.

## COVERAGE COMMENCEMENT DATE

Warranty coverage begins on the date of purchase. In the case of new home construction, warranty coverage begins on the date of first occupancy of the dwelling or six months after the sale of the Product by an independent IHP dealer/distributor, whichever occurs earlier. The warranty shall commence no later than 24 months following the date of product shipment from IHP, regardless of the installation or occupancy date.

## EXCLUSIONS AND LIMITATIONS

This Limited Lifetime Warranty applies only if the Product is installed in the United States or Canada and only if operated and maintained in accordance with the printed instructions accompanying the Product and in compliance with all applicable installation and building codes and good trade practices.

This warranty is non-transferable and extends to the original owner only. The Product must be purchased through a listed supplier of IHP and proof of purchase must be provided. The Product body and firebox carry the Limited Lifetime Warranty from the date of installation. Vent components, trim components and paint are excluded from this Limited Lifetime Warranty. The following do not carry the Limited Lifetime Warranty but are warranted as follows:

**Burner** – Repair or replacement for five years from the date of installation

**Gas components & electrical components** – Repair or replacement for one year from the date of installation

**Gaskets** – Repair or replacement for one year from the date of installation

**Gold & nickel plating** – Replacement for two years from date of installation. Excludes tarnishing

**Labor coverage** – Prevailing IHP labor rates apply for the warranty period of the component

**Light bulbs & batteries** – Replacement for 90 days from the date of installation

**Logs** – Replacement for five years from the date of installation against thermal breakage only

**Optional blowers & remote controls** – Repair or replacement for one year from the date of installation

**Optional glass doors & optional glass accessories** – Repair or replacement for 90 days from the date of installation

**Optional surrounds** – Stone/Natural Materials: Replacement for one year against cracking or breakage due to thermal stress. Other Materials: Replacement for one year. Excludes surface and hairline cracks and scratches or slight color changes that do not affect the operation or safety of the unit

**Tempered Glass** -Replacement for one year from the date of installation

**Parts not otherwise listed carry a 90 day warranty from the date of installation.**

**Whenever practicable, IHP will provide replacement parts, if available, for a period of 10 years from the last date of manufacture of the Product.**

IHP will not be responsible for: (a) damages caused by normal wear and tear, accident, riot, fire, flood or acts of God; (b) damages caused by abuse, negligence, misuse, or unauthorized alteration or repair of the Product affecting its stability or performance (The Product must be subjected to normal use. The Product is designed to burn either natural or propane gas only. Burning conventional fuels such as wood, coal or any other solid fuel will cause damage to the Product, will produce excessive temperatures and could result in a fire hazard.); (c) damages caused by failing to provide proper maintenance and service in accordance with the instructions provided with the Product; (d) damages, repairs or inefficiency resulting from faulty installation or application of the Product.

IHP is not responsible for inadequate fireplace system draft caused by air conditioning and heating systems, mechanical ventilation systems, or general construction conditions which may generate negative pressure in the room in which the appliance is installed. Additionally IHP assumes no responsibility for drafting conditions caused by venting configurations, adjoining trees or buildings, adverse wind conditions or unusual environmental factors and conditions that affect the operation of the unit.

This Limited Lifetime Warranty covers only parts and labor as provided herein. In no case shall IHP be responsible for materials, components or construction, which are not manufactured or supplied by IHP or for the labor necessary to install, repair or remove such materials, components or construction. Additional utility bills incurred due to any malfunction or defect in equipment are not covered by this warranty. All replacement or repair components will be shipped F.O.B. from the nearest stocking IHP factory.

## LIMITATION ON LIABILITY

It is expressly agreed and understood that IHP's sole obligation and the purchaser's exclusive remedy under this warranty, under any other warranty, expressed or implied, or in contract, tort or otherwise, shall be limited to replacement, repair, or refund, as specified herein.

In no event shall IHP be liable for any incidental or consequential damages caused by defects in the Product, whether such damage occurs or is discovered before or after repair or replacement, and whether such damage is caused by IHP's negligence. IHP has not made and does not make any representation or warranty of fitness for a particular use or purpose, and there is no implied condition of fitness for a particular use or purpose.

IHP makes no expressed warranties except as stated in this Limited Lifetime Warranty. The duration of any implied warranty is limited to the duration of this expressed warranty.

No one is authorized to change this Limited Lifetime Warranty or to create for IHP any other obligation or liability in connection with the Product. Some states and provinces do not allow the exclusion or limitation of incidental or consequential damages, so the above limitations or exclusions may not apply to you. The provisions of this Limited Lifetime Warranty are in addition to and not a modification of or subtraction from any statutory warranties and other rights and remedies provided by law.

## INVESTIGATION OF CLAIMS AGAINST WARRANTY

IHP reserves the right to investigate any and all claims against this Limited Lifetime Warranty and to decide, in its sole discretion, upon the method of settlement.

To receive the benefits and advantages described in this Limited Lifetime Warranty, the appliance must be installed and repaired by a licensed contractor approved by IHP.

Contact IHP at the address provided herein to obtain a listing of approved dealers/distributors. **IHP shall in no event be responsible for any warranty work done by a contractor that is not approved without first obtaining IHP's prior written consent.**

## HOW TO REGISTER A CLAIM AGAINST WARRANTY

In order for any claim under this warranty to be valid, you must contact the IHP dealer/distributor from which you purchased the product. If you cannot locate the dealer/distributor, then you must notify IHP in writing. IHP must be notified of the claimed defect in writing within 90 days of the date of failure. Notices should be directed to the IHP Warranty Department at 1508 Elm Hill Pike, Suite 108, Nashville, TN 37210 or visit our website at [WWW.ASTRIA.US.COM](http://WWW.ASTRIA.US.COM).

**Astria.us.com**

Record the following important information about your fireplace:

Fireplace model number	
Fireplace serial number	
Date fireplace was Installed	
Type of gas fireplace uses	
Dealer name	



P126770-01

Innovative Hearth Products reserves the right to make changes at any time, without notice, in design, materials, specifications, prices and also to discontinue colors, styles and products. Consult your local distributor for fireplace code information.

Printed in U.S.A. © 2014 Innovative Hearth Products LLC

P/N 126770-01 Rev. B 05/2016



INNOVATIVE HEARTH PRODUCTS

1508 Elm Hill Pike, Suite 108 • Nashville, TN 37210