

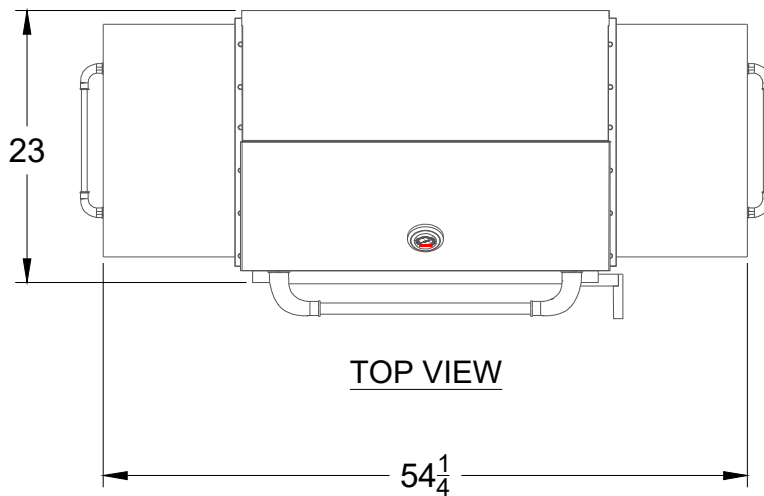


[WWW.BULLBBQ.COM](http://WWW.BULLBBQ.COM)

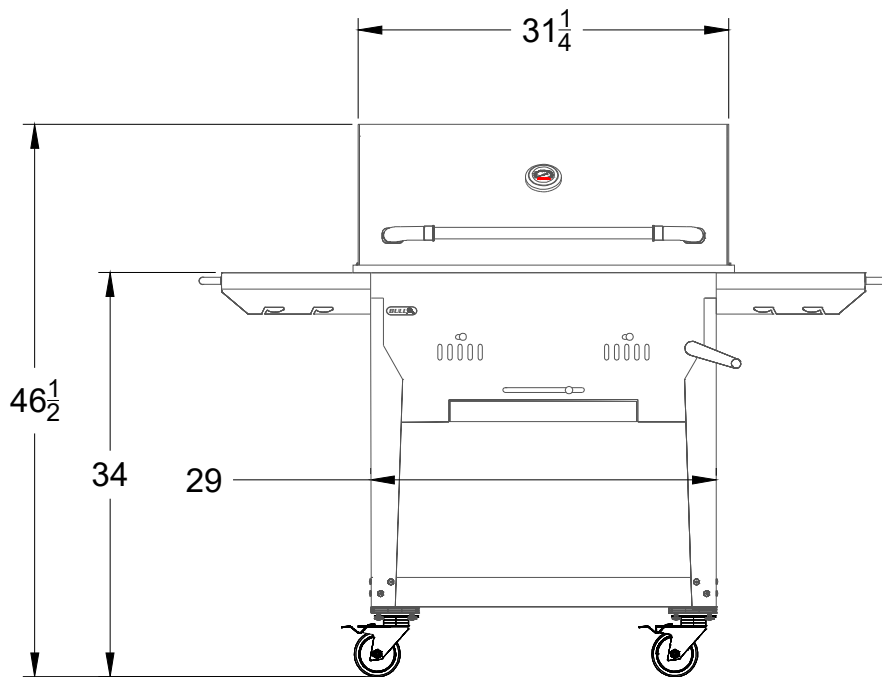
**SPEC SHEET**  
**ITEM #88000**  
**BISON PREMIUM**  
**CHARCOAL GRILL**  
**WITH CART**



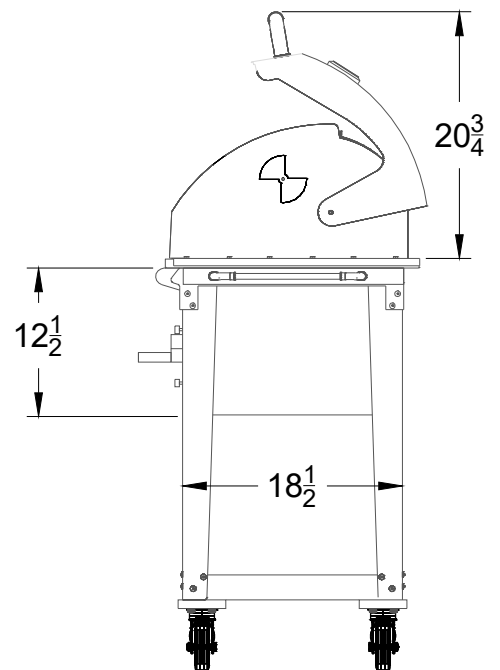
ISOMETRIC VIEW



TOP VIEW



FRONT VIEW



SIDE VIEW WITH LID OPEN

NOTES:

1. ALL DIMENSIONS ARE IN INCHES