



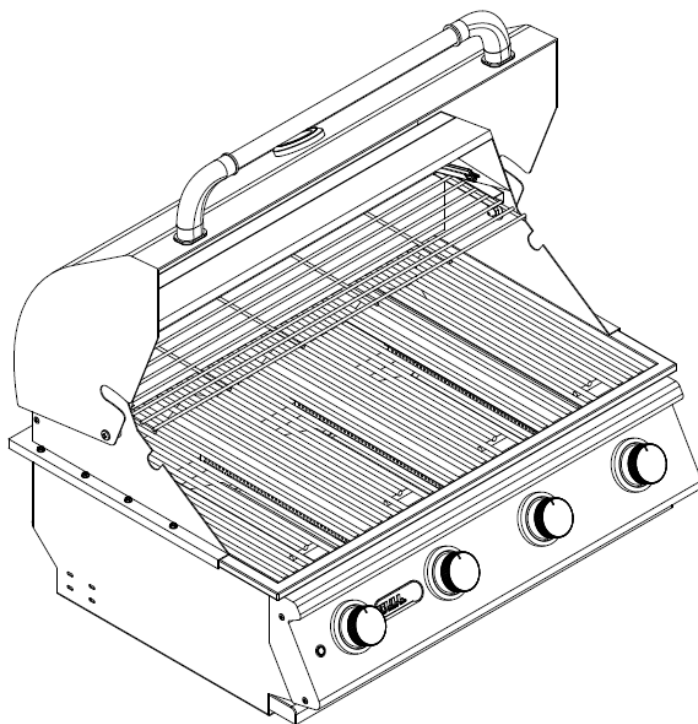
LONESTAR SELECT PARTS LIST

MODEL #87048 LONESTAR SELECT 4 BURNER STAINLESS STEEL, BUILT-IN, L.P. (PROPANE)

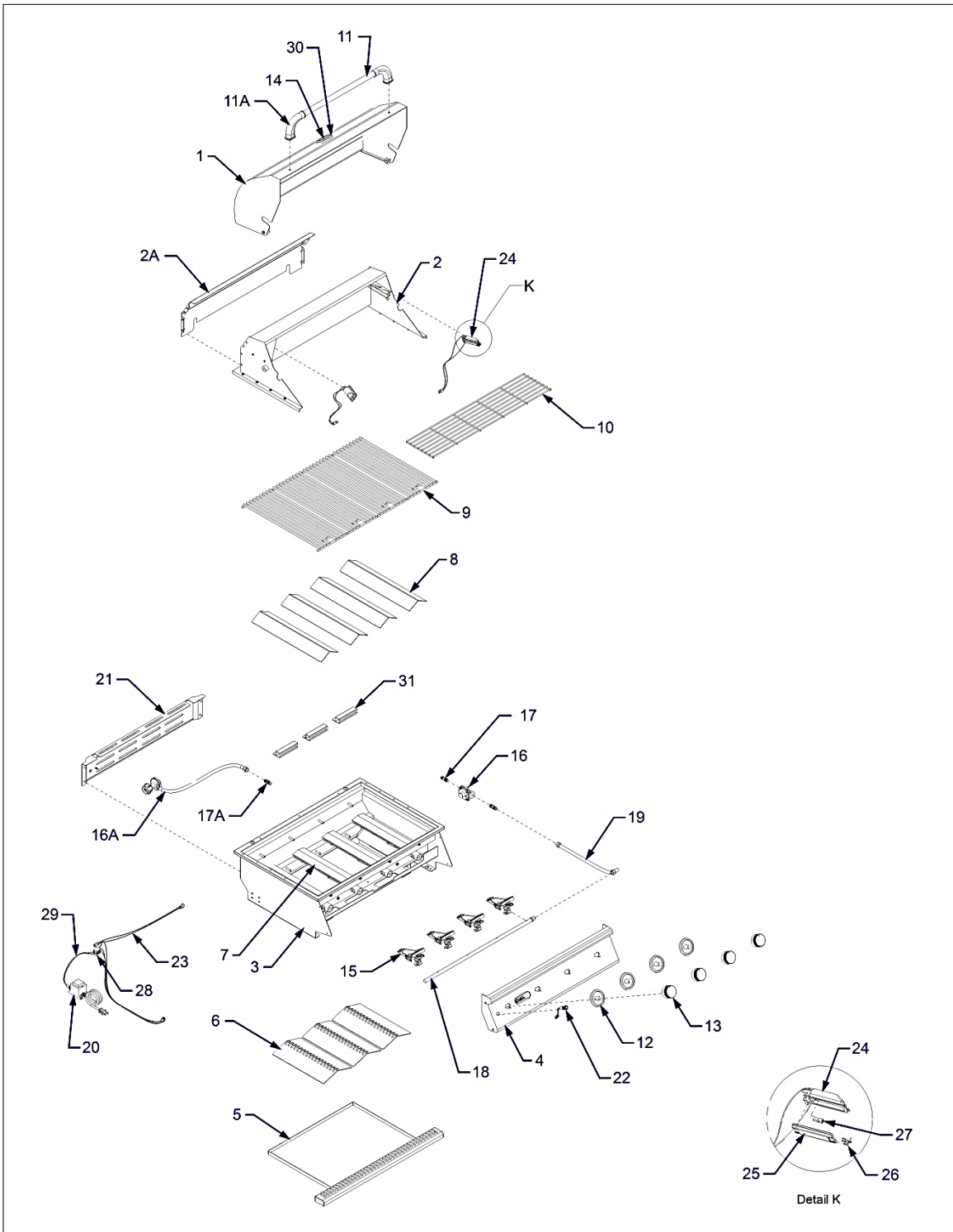
MODEL #87049 LONESTAR SELECT 4 BURNER STAINLESS STEEL, BUILT-IN, N.G. (NATURAL GAS)

MODEL #87048CE LONESTAR SELECT 4 BURNER STAINLESS STEEL, BUILT-IN, L.P. (PROPANE)

MODEL #87049CE LONESTAR SELECT 4 BURNER STAINLESS STEEL, BUILT-IN, N.G. (NATURAL GAS)



EXPLODED ILLUSTRATION



PARTS LIST

MODEL #87048 LONESTAR SELECT 4 BURNER STAINLESS STEEL, BUILT-IN, L.P. (PROPANE)
 MODEL #87049 LONESTAR SELECT 4 BURNER STAINLESS STEEL, BUILT-IN, N.G. (NATURAL GAS)

REF #	PARTS #	DESCRIPTION	QTY	WARRANTY PERIOD
1	47001	LID - FRONT	1	1 yr
2	87101	LID - REAR	1	1 yr
2A	47012	COVER - REAR LID	1	1 yr
3	47003	INSERT ASSEMBLY	1	Lifetime
4	87102	CONTROL PANEL	1	1 yr
5	47011	GREASE TRAY	1	1 yr
6	16520	HEAT SHIELD	3	3 yrs
7	44305	WELDED STAINLESS STEEL BURNER	4	5 yrs
8	16521	FLAME TAMER	4	3 yrs
9	16517	COOKING GRATE	4	Lifetime
10	47004	WARMING RACK	1	3 yrs
11	16523	LID HANDLE CENTER BAR	1	3 yrs
11A	16522	LID HANDLE END CAP	2	3 yrs
12	16629	BEZEL - MAIN BURNER	4	1 yr
13	16613	KNOB - MAIN BURNER	4	1 yr
14	16509	TEMPERATURE GAUGE	1	1 yr
15	16525(LP) / 16524(NG)	GAS VALVE - MAIN BURNER	4	1 yr
16	16507	REGULATOR - NATURAL GAS MODEL ONLY	1	1 yr
16A	16508	REGULATOR - LIQUID PROPANE MODEL ONLY	1	1 yr
17	16599	REGULATOR ADAPTER - NATURAL GAS MODEL ONLY	2	1 yr
17A	16598	FLARE TO FLARE UNION - LIQUID PROPANE MODEL ONLY	1	1 yr
18	26103	MANIFOLD	1	3 yrs
19	*47006	STAINLESS FLEX TUBE	1	1 yr
20	*16534	TRANSFORMER	1	1 yr
21	47008	BACK PANEL	1	1 yr
22	*16612	PUSH BUTTON LIGHT SWITCH	1	1 yr
23	*16626	LIGHT WIRE HARNESS	1	1 yr
24	*16627	LIGHT HOUSING	2	1 yr
25	*16530	LIGHT LENS	2	1 yr
26	*16529	LIGHT LENS CLIP	2	1 yr
27	16532	LIGHT BULB	2	N/A
28	16592	LIGHT BINDING POST	1	1 yr
29	16595	TRANSFORMER PIGTAIL	1	1 yr
30	16673	TEMPERATURE GAUGE BEZEL	1	1 yr
31	18358	CROSS FIRE PLATE - CE ONLY	3	1 yr

Any item with an * next to it requires a serial number

HOW TO ORDER REPLACEMENT PARTS

Please refer to the parts list on this page.

To make sure you obtain the correct replacement parts for your gas grill, the following information is required to assure getting the correct part.

1. Gas grill model number (see data sticker on grill) and type of gas hook up.
2. Reference number of replacement part needed.
3. Description of replacement part needed.
4. Quantity of parts needed.

IMPORTANT: Use only factory authorized parts. The use of any part that is not factory authorized can be dangerous. This will also void your warranty.

IMPORTANT: Keep this assembly and operating instruction manual for referral, and for replacement parts ordering.

CAUTION: Gas valves are preset at the factory. If you wish to convert at some later date, be sure to contact your gas supplier or grill, dealer before making the conversion.

CAUTION: A different gas valve must be installed when converting from one type of gas to another. You will also need a data plate indicating what type of gas the grill uses.

