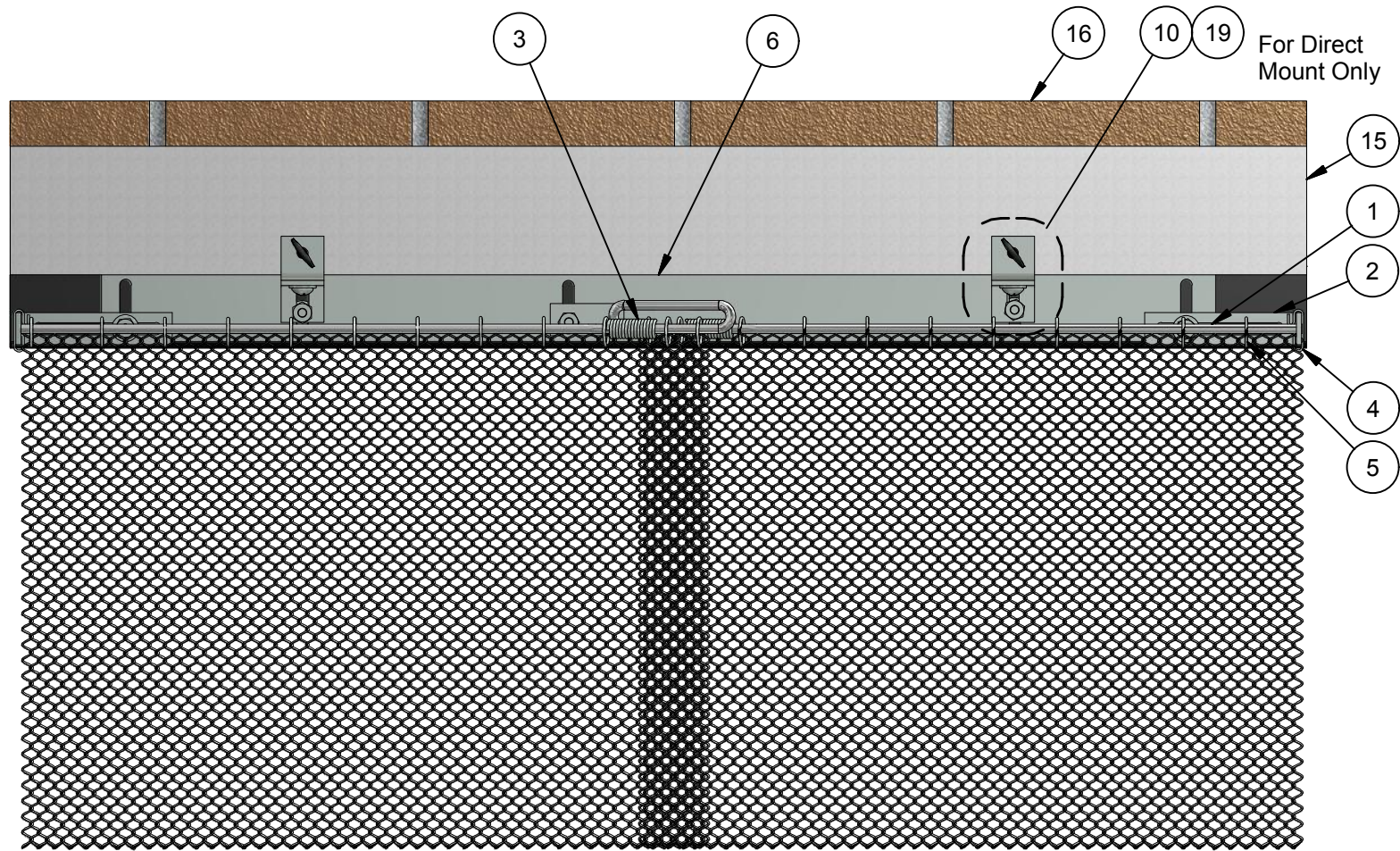
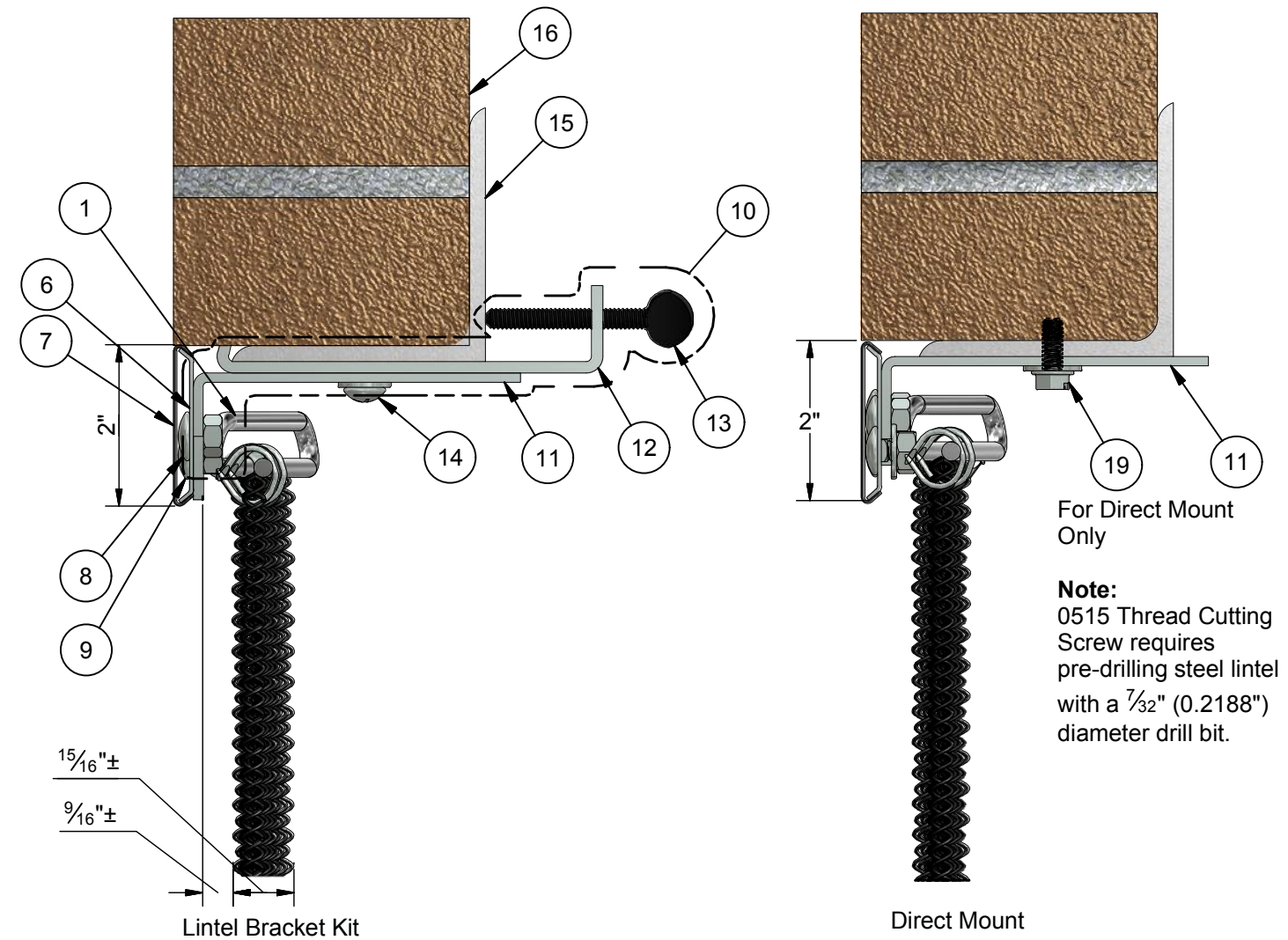


FRONT



BACK



Lintel Bracket Kit

Direct Mount

For Direct Mount Only

Note:
0515 Thread Cutting Screw requires pre-drilling steel lintel with a 7/32" (0.2188") diameter drill bit.

SECTION A-A

ITEM	QTY	PART NUMBER	DESCRIPTION
1	1	11xx-SS	Backrod, w/ Center Bracket, xx", Stainless Steel
2	2	1310	End Bracket, Zinc Plated
3	2	0555	Spacer Spring
4	2	0516	Clip, Retaining, Fire Screen Mesh 18 Ga. SS302
5	Varies	0578	Hog Ring, Steel, 1/4"
6	1	10xx	Backplate, xx"
7	1	09xx-xx	Faceplate, Varies, xx"
8	4	0506-12 / 0560 / 0551	Bolt, Carriage, 1/4-20 x 1/2", Hex Nut / 1/4-20, Zinc / Washer, Flat, 5/16" ID, Zinc
9	2	0506 / 0560	Bolt, Carriage, 1/4-20 x 3/8", Hex Nut / 1/4-20
10	1	1301	Lintel Bracket Kit, Std., 4" - Pair
12	2	1305	Lintel Clamp, Std., 4", Zinc Plated
14	2	0502 and 0550	Screw, Pan Head, 1/4-20 x 5/16" and Washer, Flat, 1/4" SAE, 9/32" ID x 5/8" OD x 1/16" Thick
15	1	N/A	Lintel, Steel, By Others
16	N/A	N/A	Brick, By Others
17	1	Varies	Mesh, Firescreen, Varies
18	2	19xx-xx	Knob, Wand, Steel, Varies
19	2	0515 / 0551	Screw, Hex, Washer Head, TC 1/4" x 1/2" / Washer, Flat, 5/16" ID, Zinc

CASCADE COIL
FIRESCREENS

P.O. Box 3707
19505 S.W. 90th Ct.
Tualatin, OR 97062
800-999-2645

Phone: (971) 224-2188
Fax: (971) 224-2199
Firescreensales@cascadecoil.com
www.cascadefirescreens.com

DRAWN BY: TCV	DATE: 12/31/2015	PROJECT: Firescreen Products
DESIGNED BY: JCH	DATE: 12/31/2015	TITLE: Custom Recessed Fireplace Screen
CHECKED BY: JCH	DATE: 12/31/2015	DRAWING NUMBER: DM-0885
APPROVED BY: TCV	DATE: 12/31/2015	REVISION: A
DRAWING UNITS: As Shown	SCALE: AS SHOWN	SHEET: 1 OF 1

THIS DRAWING AND ALL INFORMATION IS CONFIDENTIAL AND IS THE PROPERTY OF CASCADE COIL DRAPERY INC. AND MAY NOT BE COPIED IN ANY WAY DETRIMENTAL TO THE INTERESTS OF CASCADE COIL DRAPERY INC.