



Firenze Manual

DaVinci
CUSTOM FIREPLACES

⚠ WARNING:

If the information in these instructions is not followed exactly, a fire or explosion may result causing property damage, personal injury, or loss of life.

- Do not store or use gasoline or other flammable vapors and liquids in the vicinity of this or any other appliance.
- **WHAT TO DO IF YOU SMELL GAS**
- Do not try to light any appliance.
- Do not touch any electrical switch; do not use any phone in your building.
- Immediately call your gas supplier from a neighbor's phone. Follow the gas supplier's instructions.
- If you cannot reach your gas supplier, call the fire department.
- Installation and service must be performed by a qualified installer, service agency, or the gas supplier.

⚠ DANGER



**HOT GLASS WILL
CAUSE BURNS.
DO NOT TOUCH GLASS
UNTIL COOLED.
NEVER ALLOW CHILDREN
TO TOUCH GLASS.**



Listed by
Omni-Test Laboratories, Inc
Report # 0028GF138S
Z21.88:19/CSA 2.33:19
CSA 2.17-2017
Built-In Direct Vent Fireplace
Natural Gas or Propane
Residential or Mobile Home

This appliance may be installed in an aftermarket, permanently located, manufactured home (USA only), or mobile home, where not prohibited by local codes.

This appliance is only for use with the type of gas indicated on the rating plate. A conversion kit is supplied with the appliance.

INSTALLER: Leave this manual with the appliance.

French language manuals at davincifireplace.com

CONSUMER: Retain this manual for future reference.

Manuels de langue Française à davincifireplace.com

Overview

This manual details the installation requirements and operating and maintenance instructions for the DaVinci Firenze fireplace.

Listing Details

This appliance was listed to ANSI Z21.88:19. The listing label is attached to the appliance near the gas control valve. A copy is shown to the right.

Massachusetts Approval

This manual has been submitted to the Massachusetts Board of State Examiners of Plumbers and Gas Fitters.

National Fireplace Institute



We suggest that our gas hearth products be installed and serviced by professionals who are certified in the U.S. by the National Fireplace Institute® (NFI) as NFI Gas Specialists.

Minimum Clearances to Combustibles	
Fireplace to Adjacent Wall	0" (0mm)
Wood Floor Beneath Fireplace	0" (0mm)
Back to Enclosure	0.5" (13mm)
Base Of Fireplace To Enclosure Top Sides To Enclosure	94.5" (2400mm)
Base Of Fireplace To A Mantel	0.5" (13mm) 32.625 (829mm)

FAN TYPE VENTED CIRCULATOR

Electrical Rating: 120 VAC, Less than 3 Amps, 60 Hz

	PROPANE	N.G.	PROPANE	N.G.
Input Rate on "HI" (BTU/Hr)	50,000	50,000	Minimum Inlet Pressure (inches W.C.)	11" 5.5"
Input Rate on "LO" (BTU/Hr)	25,000	25,000	Maximum Inlet Pressure (inches W.C.)	13" 7"
Left Orifice Size - (DMS)	1.45mm	#42	Manifold Pressure on "HI" (inches W.C.)	11" 3.8"
Right Orifice Size - (DMS)	1.45mm	#42		

This appliance is equipped for use only at altitudes 0-2,000 feet (0-610m) in the USA. In Canada, 0-4,500 feet (0-1370m). For altitudes above 2,000 feet, the vent configuration, orifice, or combination of both may be used to be changed. See owner's manual for information on making these changes.

Manufactured by:

TRAVIS INDUSTRIES
HOUSE OF FIRE
 12521 Harbour Reach Drive
 Mukilteo, WA 98275
 www.travisproducts.com

MANUFACTURE DATE:

2023	Jan.	Feb.	Mar.	Apr.	May	Jun.	Jul.	Aug.	Sep.	Oct.	Nov.	Dec.
<input type="checkbox"/>	<input type="checkbox"/>	<input type="checkbox"/>	<input type="checkbox"/>	<input type="checkbox"/>	<input type="checkbox"/>	<input type="checkbox"/>	<input type="checkbox"/>	<input type="checkbox"/>	<input type="checkbox"/>	<input type="checkbox"/>	<input type="checkbox"/>	<input type="checkbox"/>

Firenze
 Vented Gas Fireplace Heater
 Not for use with solid fuel
 Certified for USA and Canada



Tested to: ANSI Z21.88:19/CSA 2.33:19 "Vented Gas Fireplace Heater", CSA 2.17-2017 "Gas-fired appliances for use at high altitudes", and CSA P.4.1-21 Testing method for measuring annual fireplace efficiency.

This appliance must be installed in accordance with local codes, if any; if none, follow the National Fuel Gas Code, ANSI Z223.1/NFPA 54, or Natural Gas and Propane Installation Codes, CSA B149.1.

This appliance must be installed in accordance with the current Standard CAN/CSA Z240 MH, Mobile Housing, in Canada or with the Manufactured Home Construction and Safety Standard, Title 24 CFR, Part 3280, in the United States, or when such a standard is not applicable, ANSI/NCSCS A225.1/NFPA 501A, Manufactured Home Installation Standard.

This vented gas fireplace heater is equipped at the factory for use with natural gas. If conversion to propane (LP) is desired, the optional factory conversion kit must be used. Part No. 250-06359 kit may be used.

This appliance is only for use with the type(s) of gas indicated on the rating plate and may be installed in an aftermarket, permanently located, manufactured home (USA only) or mobile home, where not prohibited by local codes. See owner's manual for details. This appliance is not convertible for use with other gases, unless a certified kit is used.

This vented gas fireplace heater is not for use with air filters. Keep burner and control compartment clean. See installation and operating instructions accompanying appliance.

THIS APPLIANCE MUST BE PROPERLY CONNECTED TO A VENTING SYSTEM IN ACCORDANCE WITH THE MANUFACTURER'S INSTALLATION INSTRUCTIONS. Use only an approved direct vent system to vent this appliance to the exterior. See owner's manual for approved brands of venting. If the vent-air intake system is disconnected for servicing or any other reason, it must be resealed and / or reinstalled.

WARNING: Improper installation, adjustment, alteration, service or maintenance can cause injury or property damage. Refer to the owner's information manual provided with this appliance. For assistance or additional information consult a qualified installer, service agency or the gas supplier.

CAUTION: Do not operate this appliance with glass removed, cracked or broken. Replacement of the panel(s) should be done by a licensed or qualified service person. Hot while in operation. Do not Touch. Severe burns may result. Keep children, clothing, furniture, gasoline and other flammable liquids having flammable vapors away.

Overview	2	Vent Requirements	38
Listing Details	2	Approved Vent Configurations	40
Installation Options	6	Minimum Vent Configuration	42
Heating Specifications	6	Vertical Termination Vent Chart	43
Installation Overview	6	Horizontal Termination Vent Chart	44
Packing List	7	Termination Requirements	45
Recommended Specialty Tools	7	Facing Requirements	46
Dimensions - Single Sided Configurations	8	Tile Guide Details	47
Massachusetts Requirements	13	Do Not Drill or Screw Zone	48
Requirements for the Commonwealth of Massachusetts 13		Mantel Requirements	48
MANUFACTURER REQUIREMENTS	13	Glass Pane Installation and Removal	49
Removing the Fireplace from the Pallet	14	Steps for Finalizing the Installation	52
Fireplace Placement Requirements	15	Air Shutter Adjustment	53
Alternate Blower Inlet Locations	16	Fireback Installation	55
Ventilated Chase Requirement	17	Proper Orientation of the Firebacks	61
TV Installations with a Ventilated Chase	18	Crushed Glass Installation	65
Hearth Requirements	19	LP Conversion Instructions	66
Vinyl Flooring Recommendations	19	Location of Components	72
Important Considerations for Framing	20	Before You Begin	73
Minimum Framing Dimensions – Single Sided configuration	21	FOR YOUR SAFETY READ BEFORE LIGHTING ...	73
Min. Framing - Without CoolSmart TV kit.....	21	Starting the Heater for the First Time	73
Min. Framing – With CoolSmart TV Kit	21	Location of Controls	74
Minimum Framing Dimensions – Bay configuration	22	LED Intensity Slider	74
Min. Framing - Without CoolSmart TV kit.....	22	LED Color Slider	74
Minimum Framing Dimensions – Left Corner configurations	23	Overhead Light	74
Min. Framing - Without CoolSmart TV kit.....	23	LED On / Off	74
Min. Framing – With CoolSmart TV Kit	23	Flame On/Off	74
Minimum Framing Dimensions – Right Corner configuration	24	Flame Height Slider	74
Min. Framing - Without CoolSmart TV kit.....	24	IPI (Intermittent Pilot)/CPI (Continuous Pilot) mode.....	74
Min. Framing – With CoolSmart TV Kit	24	Pilot Fuel Conservation Timer	75
Minimum Vent “Bump Out” application	25	Yearly Service Procedure	76
Blower Placement Requirements	26	Glass Cleaning	76
Important Consideration When Selecting Blower Location	27	Overhead Light - Bulb Replacement	77
Remote Intake Grill Kit (94400133)	27	Replacement Parts List	78
Gas Line Requirements	30	Wiring Diagram	79
Electrical Connection	31	CoolSmart TV (Optional)	80
High Voltage Connections	32	CoolSmart TV - Installation Overview	80
NOTE: Wires are labeled in the fireplace	32	CoolSmart TV - Installation Requirements.....	81
Blower Wiring Instructions	33	CoolSmart TV - Framing the Chase – Single Sided.....	82
Low Voltage Connections	34	CoolSmart TV - Framing the Chase – Bay	83
Blower Pressure Switch Wiring Instructions	34	CoolSmart TV - Framing the Chase – Left Corner.....	84
Installing the TouchSmart Controller	35	CoolSmart TV - Framing the Chase – Right Corner	85
TouchSmart Mounting Box	36	CoolSmart TV - Fireplace Preparation.....	86
		CoolSmart TV Kit Installation	87
		Using oval pipe to get past an obstruction	88
		CONDITIONS & EXCLUSIONS	89
		Warranty	89

Safety Warnings

- Failure to follow all of the requirements may result in property damage, bodily injury, or even death.

Young children should be carefully supervised when they are in the same room as the appliance. Toddlers, young children, and others may be susceptible to accidental contact burns. A physical barrier is recommended if there are at risk individuals in the house. To restrict access to a fireplace or stove, install an adjustable safety gate to keep toddlers, young children, and other at risk individuals out of the room and away from hot surfaces.

Children and adults should be alerted to the hazards of high surface temperature and should stay away to avoid burns or clothing ignition. Do not touch the hot surfaces of the heater. Educate all children about the danger of a high-temperature heater.

Due to the high temperature, the heater should be located out of traffic and away from furniture and draperies.

- This unit must be installed by a qualified installer to prevent the possibility of an explosion.
- This appliance must be installed in accordance with all local codes if any. If not, in U.S.A. follow ANSI Z223.1 and NFPA 54(88), and in Canada follow CSA B149.1. In Australia follow AS/NZS 5601.1.
- A manufactured home (USA only) or mobile home OEM installation must conform with the Manufactured Home Construction and Safety Standard, Title 24 CFR, Part 3280, or, when such a standard is not applicable, the Standard for Manufactured Home Installations, ANSI/NCSBCS A225.1, or Standard for Gas Equipped Recreational Vehicles and Mobile Housing, CSA Z240.4. This appliance may be installed in Manufactured Housing only after the home is site located.
- All exhaust gases must be vented outside the structure of the living-area. Combustion air is drawn from outside the living area structure. The venting must not be connected to a chimney flue serving a separate solid-fuel burning appliance.
- Notify your insurance company before hooking up this fireplace.
- The instructions in this manual must be strictly adhered to. Do not use makeshift methods or compromise in the installation. Improper installation will void the warranty and safety listing.
- This heater is approved for use with natural gas (NG) or propane (LP). Burning the incorrect fuel will void the warranty and safety listing and may cause an extreme safety hazard. Direct questions about the type of fuel used to your dealer.
- Contact your local building officials to obtain a permit and information on any installation restrictions or inspection requirements in your area.
- If the flame becomes sooty, dark orange in color, or extremely tall, do not operate the heater. Call your dealer and arrange for proper servicing.
- It is imperative that control compartments, screens, or circulating air passageways of the heater be kept clean and free of obstructions. These areas provide the air necessary for safe operation.
- Do not operate the heater if it is not operating properly in any fashion or if you are uncertain. Call your dealer for a full explanation of your heater and what to expect.
- Do not store or use gasoline or other flammable liquids in the vicinity of this heater.
- Do not operate if any portion of the heater was submerged in water or if any corrosion occurs. Immediately call a qualified service technician to inspect the appliance and to replace any part of the control system and any gas control that has been under water.

Safety Warnings (continued)

- Light the heater using the built-in igniter. Do not use matches or any other external device to light your heater.
- Never remove, replace, modify, or substitute any part of the heater unless instructions are given in this manual. All other work must be done by a trained technician. Don't modify or replace orifices.
- The viewing glass should be opened only for conducting service.
- Allow the heater to cool before carrying out any maintenance or cleaning.
- Operate the heater according to the instructions included in this manual.
- If the main burners do not start correctly turn the gas off and call your dealer for service.
- This unit is not for use with solid fuel.
- Do not place anything inside the firebox (except the optional artwork).
- **Warning:** Do not operate the appliance with the glass front removed, cracked, or broken. Replacement of the glass should be done by a licensed or qualified service person.
- Do not throw this manual away. This manual has important operating and maintenance instructions that you will need at a later time. Always follow the instructions in this manual.
- Instruct everyone in the house on how to shut the gas off to the appliance and at the gas main shutoff valve. The gas main shutoff valve is usually next to the gas meter or propane tank and requires a wrench to shut off.
- Clothing or other flammable material should not be placed on or near the appliance.
- Any safety screen, guard, or barrier removed for servicing an appliance must be replaced prior to operating the appliance.
- Installation and repair should be done by a qualified service person. The appliance should be inspected before use and at least annually by a professional service person. More frequent cleaning might be required due to excessive lint from carpeting, bedding material, et cetera. It is imperative that control compartments, burners, and circulating air passageways of the appliance be kept clean.
- **Travis Industries, Inc. grants no warranty, implied or stated, for the installation or maintenance of your heater, and assumes no responsibility for any consequential damage(s).**



Proposition 65 Warning: Fuels used in gas, woodburning, or oil-fired appliances, and the products of combustion of such fuels, contain chemicals known to the State of California to cause cancer, birth defects, and other reproductive harm. California Health & Safety Code Sec. 25249.6



WARNING



Read this entire manual before proceeding with the installation.

Installation Options

- Residential or Mobile Home
- Commercial buildings
- Straight or Corner Placement
- Raised or Floor Placement
- Internal or External Chase
- Bedroom Approved

Heating Specifications

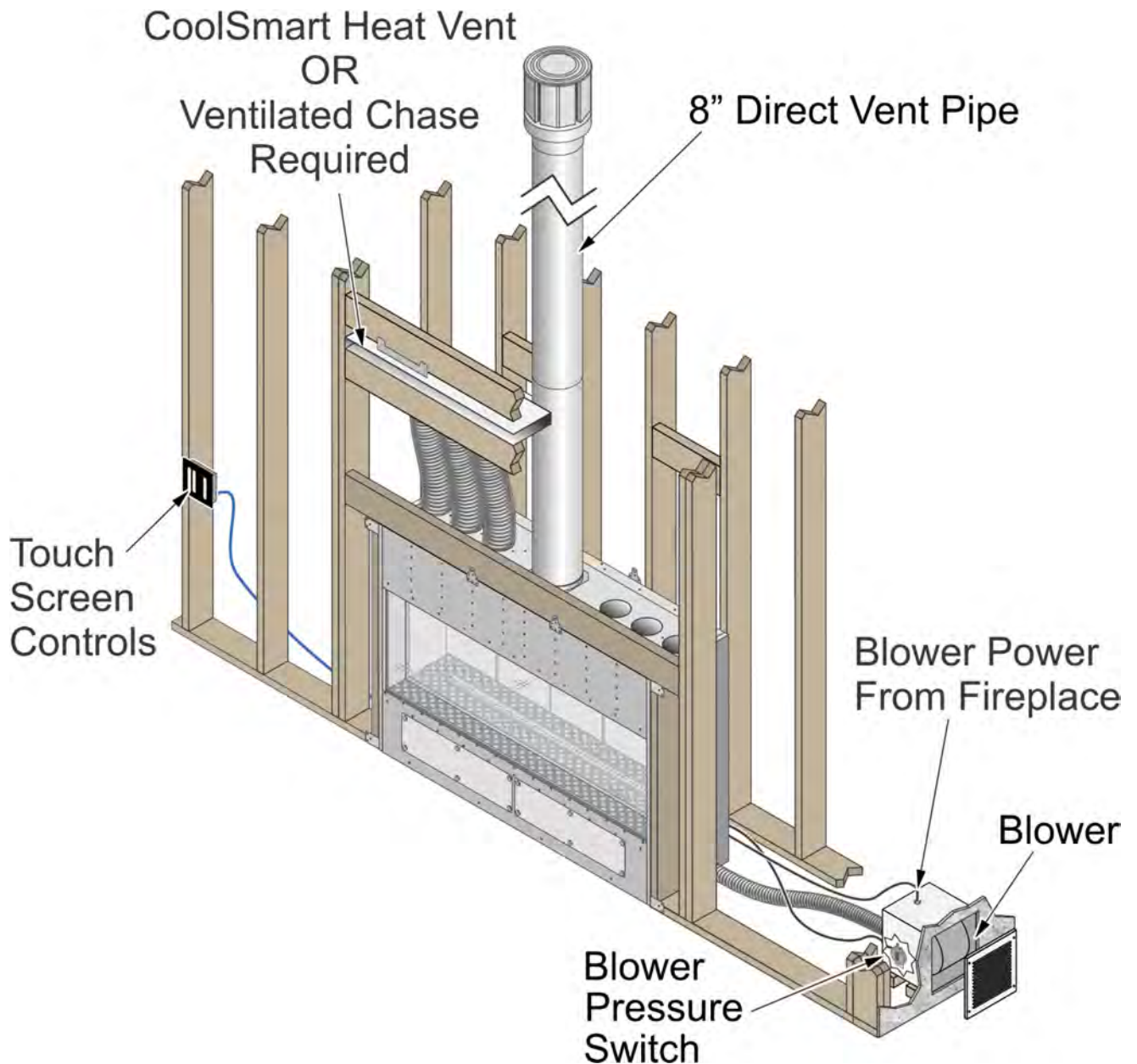
Approximate Heating Capacity (in square feet)*
Maximum BTU Input Per Hour

Natural Gas
Up to 2,500
50,000

Propane
Up to 2,500
50,000

* Heating capacity will vary with floor plan, insulation, and outside temperature.

Installation Overview



Packing List

- Propane Conversion Parts
- Wall thimble

Included Hardware (for Set & Vent)

ITEM	Qty	Location	Notes
Manual	1	You're looking at it, baby!	
CAT6 cable	1	Hardware Box	25ft
TouchSmart Mounting Plate	1	Hardware Box	
Mounting Plate Box – New Construction	1	Hardware Box	
Mounting Plate/Backplate - Retrofit	1	Hardware Box	
TouchSmart Hardware pk.	1	Hardware Box	<ul style="list-style-type: none"> - (6) Lock Ties (for wiring) - (3) Round magnets w/ felt pads - (2) #8 Self-Drilling Screws - (2) 8-32 x 1-1/2" Screws (for Mtg Plate)
Blower Assembly	1	Hardware Box	
6" diameter flex duct	1	Hardware Box	

Additional Equipment Required (for Set & Vent)

ITEM	REQUIRED	WHERE SHIPPED	SKU
TouchSmart controller	1	Ordered separately	TouchSmart, Black: 94600012 TouchSmart, White: 94600013
Optional Longer CAT6 Cable for TouchSmart controller	No	Ordered separately	CAT 6 – 50' 250-04428 CAT 6 – 100' 250-04426
Suction Cups for Glass	Yes	Ordered separately	94400914 (includes 2 suction cups)
Fireback Liners	Yes	In its own box	Black Glass: <ul style="list-style-type: none"> • Single Side: 96100121 • Left/Right Corner: 96100128 • Bay: 96100137 Black Painted: <ul style="list-style-type: none"> • Single Side: 96100120 • Left/Right Corner: 96100129 • Bay: 96100136 Brick: <ul style="list-style-type: none"> • Single Side/Corner: 96100122 • Bay: 96100138

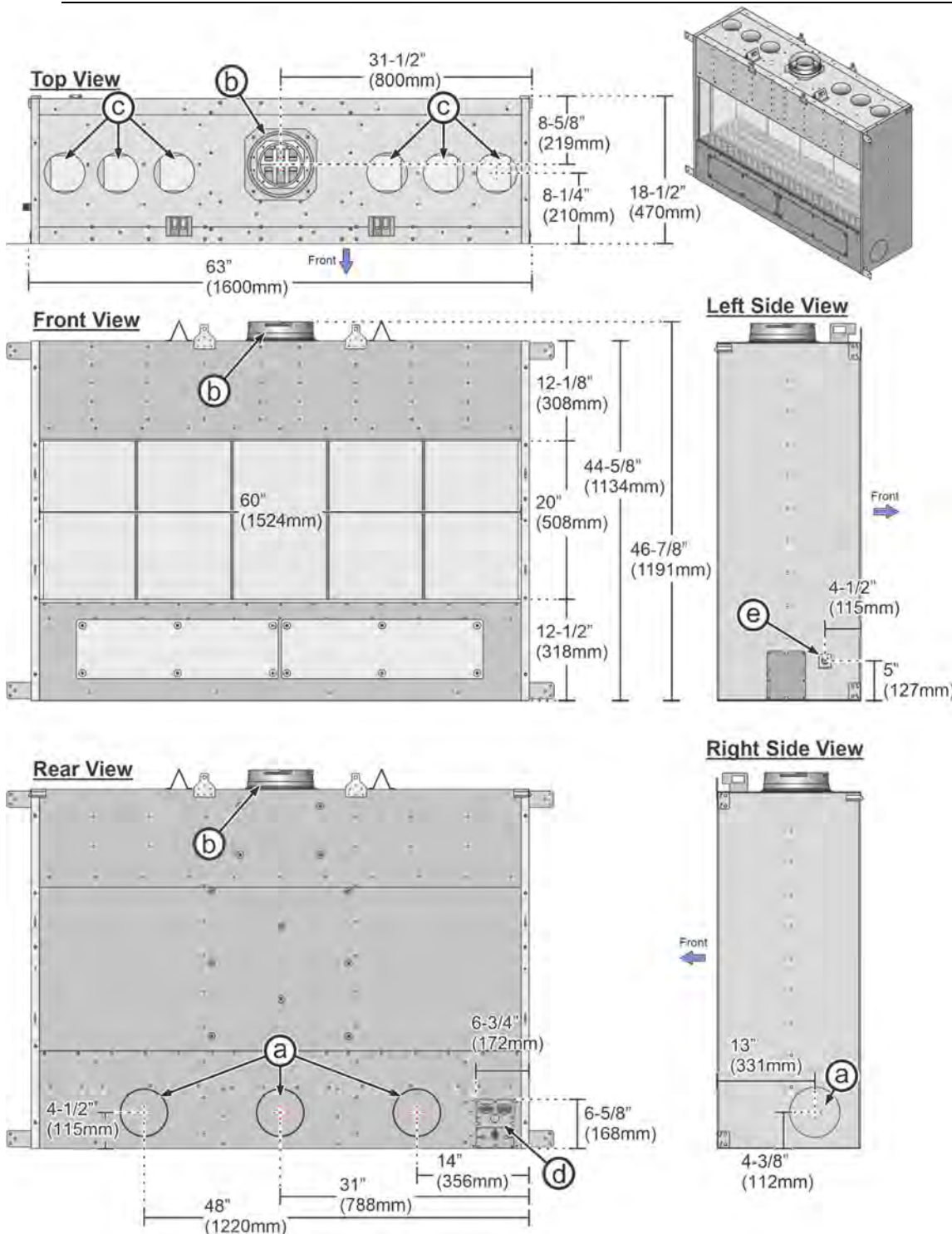
Finalization Hardware (install after fireplace is in place – you may hold at dealership)

ITEM	Location	Notes
Media glass	Ordered separately	See page 65 for details
Glass Panes	In its own Crate/Pallet	Pallet is strapped to the fireplace

Recommended Specialty Tools

- Suction Cups (sku# 94400914)

Dimensions - Single Sided Configurations



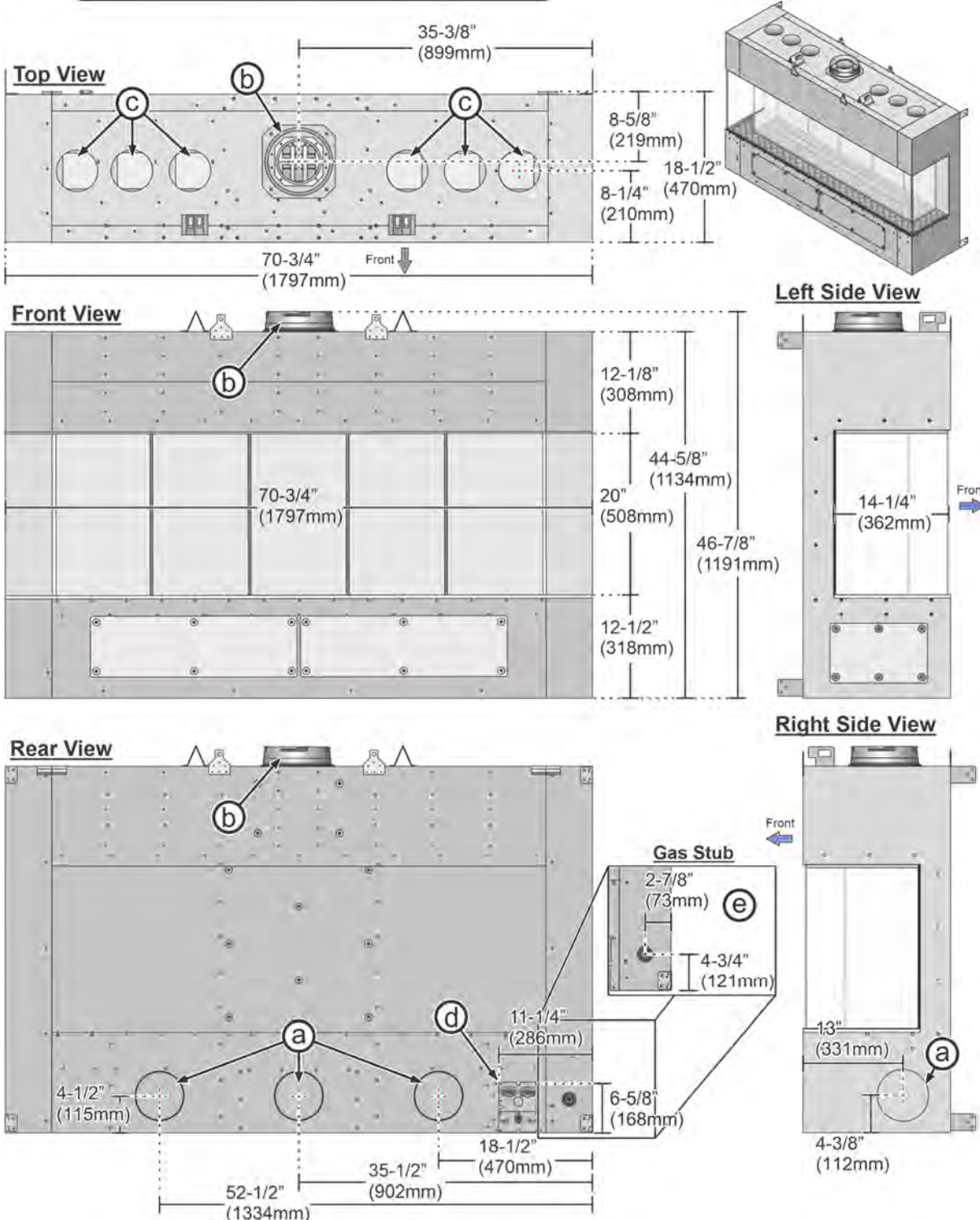
Specifications

Version
Single Sided
BTU Rating
50,000 BTUs/hr
Weight
535 lbs. (243Kg)

NOTE: The framing dimensions shown include the 1/2" standoffs on the appliance.

- (a) **Blower intake** – There are additional locations on the bottom of the appliance. (see "Alternate Blower Inlet Locations" on page 16).
- (b) **Flue Collar** – Uses 5" x 8" Direct Vent venting.
- (c) **Heat Outlets** – Heat will be vented into a ventilated chase OR use a CoolSmart™ kit (see "Optional Equipment" section for details).
- (d) **Electrical Junction Box** – The box is covered by (2) plates. The top plate covers the high voltage part connections and the lower plate covers the low voltage connections.
- (e) **Gas Inlet** – Accepts 1/2" FPT.

Dimensions – Bay Configuration



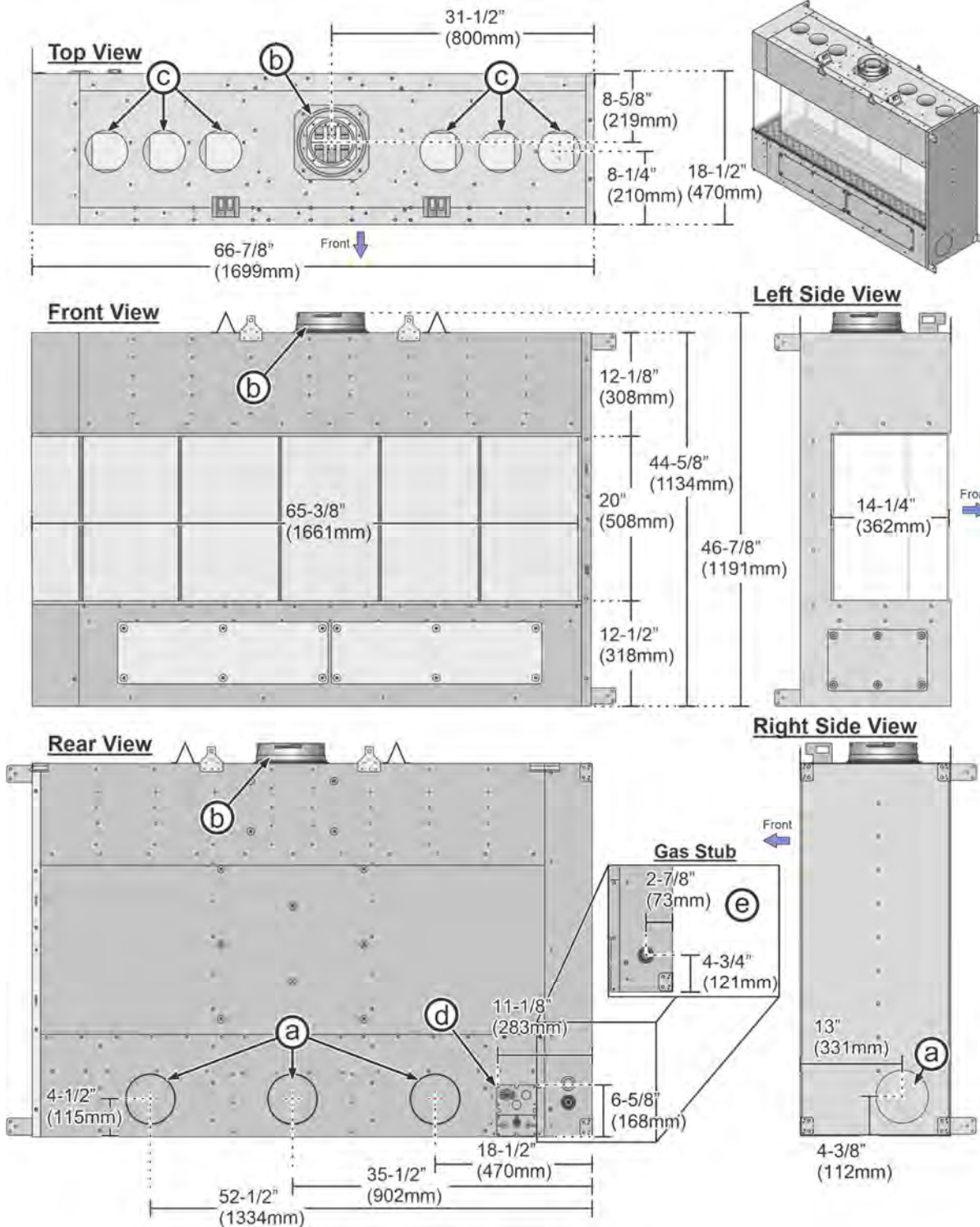
Specifications

Version
Full Bay
BTU Rating
50,000 BTUs/hr.
Weight
585 lbs. (266Kg)

NOTE: The framing dimensions shown include the 1/2" standoffs on the appliance.

- (a) **Blower intake** – There are additional locations on the bottom of the appliance. (see "Alternate Blower Inlet Locations" on page 16).
- (b) **Flue Collar** – Uses 5" x 8" Direct Vent venting.
- (c) **Heat Outlets** – Heat will be vented into a ventilated chase OR use a CoolSmart™ kit (see "Optional Equipment" section for details).
- (d) **Electrical Junction Box** – The box is covered by (2) plates. The top plate covers the high voltage part connections and the lower plate covers the low voltage connections.
- (e) **Gas Inlet** – Accepts 1/2" MPT.

Dimensions – Left Corner Configuration



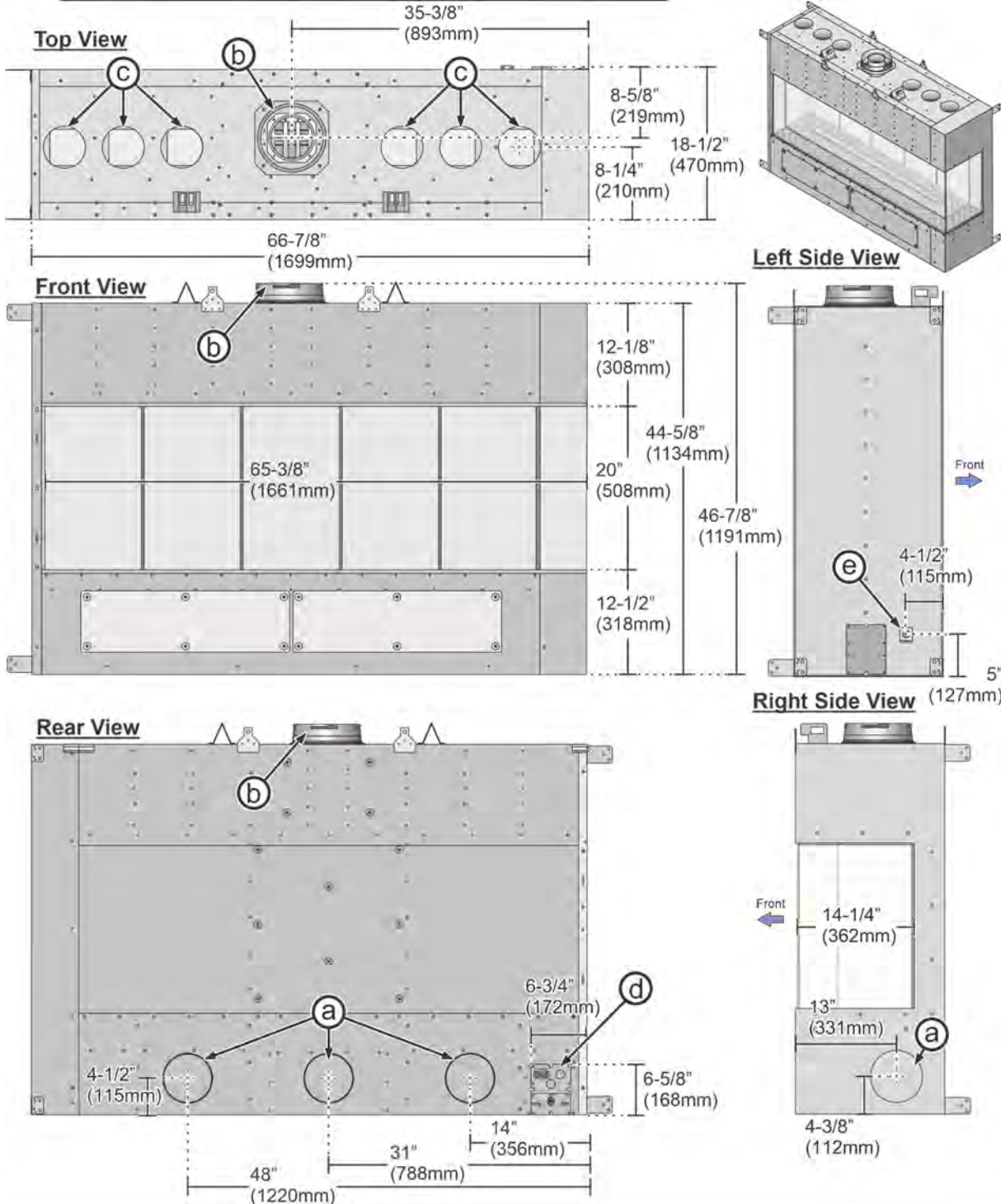
Specifications

Version
Left Corner
BTU Rating
50,000 BTUs/hr.
Weight
560 lbs. (254Kg)

NOTE: The framing dimensions shown include the 1/2" standoffs on the appliance.

- (a) **Blower intake** – There are additional locations on the bottom of the appliance. (see “Alternate Blower Inlet Locations” on page 16).
- (b) **Flue Collar** – Uses 5" x 8" Direct Vent venting.
- (c) **Heat Outlets** – Heat will be vented into a ventilated chase OR use a CoolSmart™ kit (see “Optional Equipment” section for details).
- (d) **Electrical Junction Box** – The box is covered by (2) plates. The top plate covers the high voltage part connections and the lower plate covers the low voltage connections.
- (e) **Gas Inlet** – Accepts 1/2" MPT.

Dimensions – Right Corner Configuration



Specifications

Version
Right Corner
BTU Rating
50,000 BTUs/hr.
Weight
560 lbs. (254Kg)

NOTE: The framing dimensions shown include the 1/2" standoffs on the appliance.

- (a) **Blower intake** – There are additional locations on the bottom of the appliance. (see "Alternate Blower Inlet Locations" on page 16).
- (b) **Flue Collar** – Uses 5" x 8" Direct Vent venting.
- (c) **Heat Outlets** – Heat will be vented into a ventilated chase OR use a CoolSmart™ kit (see "Optional Equipment" section for details).
- (d) **Electrical Junction Box** – The box is covered by (2) plates. The top plate covers the high voltage part connections and the lower plate covers the low voltage connections.
- (e) **Gas Inlet** – Accepts 1/2" FPT.



Important Notes Regarding Framing



We strongly suggest framing around the fireplace after it is in place. Because this fireplace is very large and difficult to position, you will need to make accommodations with the framing to allow for placement. You may wish to leave one or both sides of the framing open to allow for fireplace placement and hookup. If framing the opening prior to fireplace placement, you will also wish to make the framing 1" (26mm) wider on each side. This allows for fireplace access and will be covered with drywall (or other material) after the fireplace is assembled.

The header above the fireplace is best installed after the fireplace is in position and the vent is attached.

1. Prepare the installation location. If placing the fireplace on a platform, build the platform making sure to accommodate the weight of the fireplace and venting. Verify the platform is level and plumb.
2. Install the periphery components:
 - a) Install the gas line.
 - b) Install the electrical line and TouchSmart controller.
 - c) Install the fireplace venting.
 - d) Install the blower and blower ducting.
 - e) Install the electrical line and pressure switch wire.
3. Test the operation of the fireplace before attaching facing or drywall (this can be done with no media and the outer glass pane(s) removed). This allows the installer to verify all connections and diagnose issues with the fireplace exterior accessible.
 - a) Adjust the air shutters (if needed)
 - b) Check that the exhaust restrictor is set for the length of the vent run.
 - c) Shut the fireplace off. Install the outer glass pane(s).
 - d) Re-start the fireplace.
4. Frame the area around the fireplace.
5. Install the drywall and/or facing.
6. Install the hearth (if applicable). Install the mantel (if applicable).
7. Finalize the installation (see page 52).

Massachusetts Requirements

NOTE: The following requirements reference various Massachusetts and national codes not contained in this document.

Requirements for the Commonwealth of Massachusetts

For all side wall horizontally vented gas fueled equipment installed in every dwelling, building, or structure used in whole or in part for residential purposes, including those owned or operated by the Commonwealth and where the side wall exhaust vent termination is less than seven (7) feet above finished grade in the area of the venting, including but not limited to decks and porches, the following requirements shall be satisfied:

Installation of Carbon Monoxide Detectors

At the time of installation of the side wall horizontal vented gas fueled equipment, the installing plumber or gasfitter shall observe that a hard wired carbon monoxide detector with an alarm and battery backup is installed on the floor level where the gas equipment is to be installed. In addition, the installing plumber or gasfitter shall observe that a battery operated or hard wired carbon monoxide detector with an alarm is installed on each additional level of the dwelling, building, or structure served by the side wall horizontal vented gas fueled equipment. It shall be the responsibility of the property owner to secure the services of qualified licensed professionals for the installation of hard wired carbon monoxide detectors.

In the event that the side wall horizontally vented gas fueled equipment is installed in a crawl space or an attic, the hard wired carbon monoxide detector with alarm and battery back-up may be installed on the next adjacent floor level.

In the event that the requirements of this subdivision cannot be met at the time of completion of installation, the owner shall have a period of thirty (30) days to comply with the above requirements; provided, however, that during said thirty (30) day period, a battery operated carbon monoxide detector with an alarm shall be installed.

Approved Carbon Monoxide Detectors

Each carbon monoxide detector as required in accordance with the above provisions shall comply with NFPA 720 and be ANSI/UL 2034 listed and IAS certified.

Signage

A metal or plastic identification plate shall be permanently mounted to the exterior of the building at a minimum height of eight (8) feet above grade directly in line with the exhaust vent terminal for the horizontally vented gas fueled heating appliance or equipment. The sign shall read, in print size no less than one-half (1/2) inch in size, "GAS VENT DIRECTLY BELOW. KEEP CLEAR OF ALL OBSTRUCTIONS".

Inspection

The state or local gas inspector of the side wall horizontally vented gas fueled equipment shall not approve the installation unless, upon inspection, the inspector observes carbon monoxide detectors and signage installed in accordance with the provisions of 248 CMR 5.08(2)(a)1 through 4.

Exemptions

The following equipment is exempt from 248 CMR 5.08(2)(a)1 through 4:

- The equipment listed in Chapter 10 entitled "Equipment Not Required To Be Vented" in the most current edition of NFPA 54 as adopted by the Board; and
- Product Approved side wall horizontally vented gas fueled equipment installed in a room or structure separate from the dwelling, building, or structure used in whole or in part for residential purposes.

MANUFACTURER REQUIREMENTS

Gas Equipment Venting System Provided

When the manufacturer of Product Approved side wall horizontally vented gas equipment provides a venting system design or venting system components with the equipment, the instructions provided by the manufacturer for installation of the equipment and the venting system shall include:

- Detailed instructions for the installation of the venting system design or the venting system components; and
- A complete parts list for the venting system design or venting system.

Gas Equipment Venting System NOT Provided

When the manufacturer of a Product Approved side wall horizontally vented gas fueled equipment does not provide the parts for venting the flue gases but identifies "special venting systems", the following requirements shall be satisfied by the manufacturer:

- The referenced "special venting system" instructions shall be included with the appliance or equipment installation instructions; and
- The "special venting systems" shall be Product Approved by the Board, and the instructions for that system shall include a parts list and detailed installation instructions.

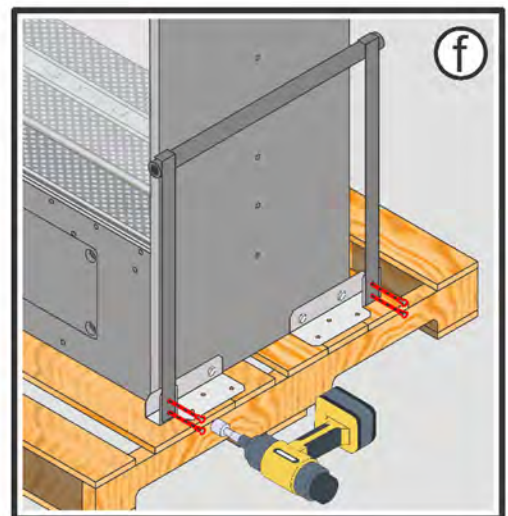
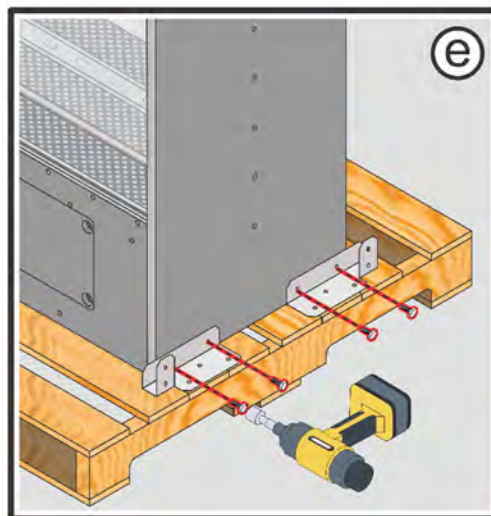
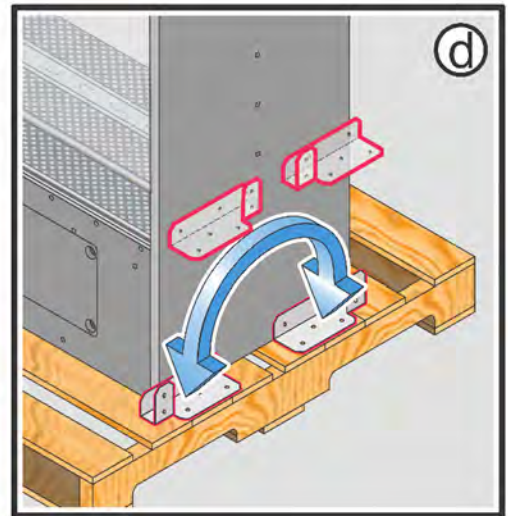
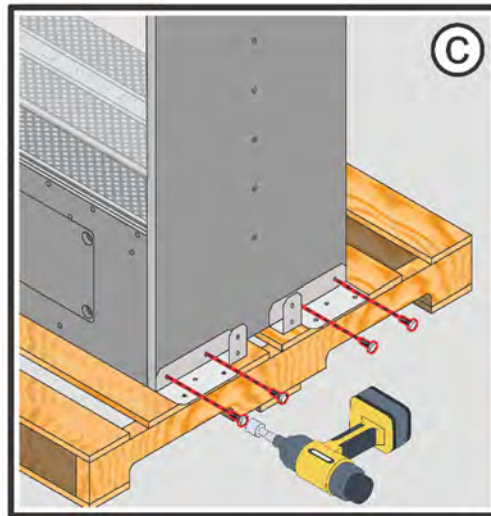
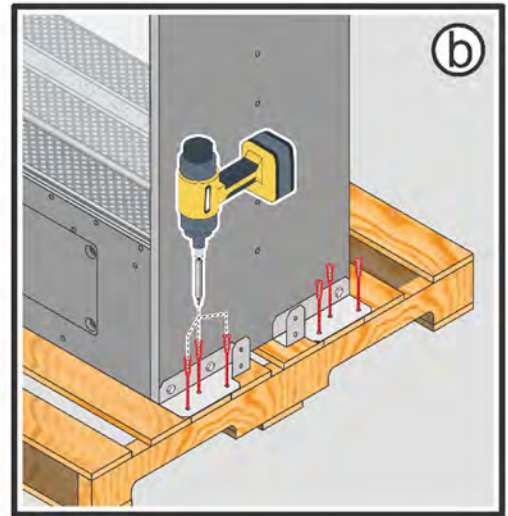
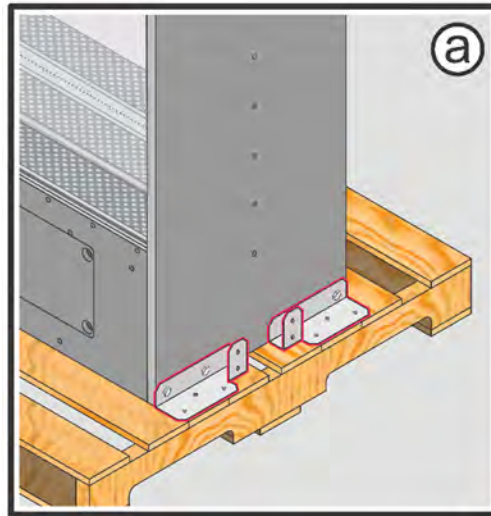
A copy of all installation instructions for all Product Approved side wall horizontally vented gas fueled equipment, all venting instructions, all parts lists for venting instructions, and/or all venting design instructions shall remain with the appliance or equipment at the completion of the installation.

See Gas Connection section for additional Commonwealth of Massachusetts requirements.

Removing the Fireplace from the Pallet

Due to the weight and size of the Firenze fireplace, it can be challenging to move. There are optional lifting handles (**sku 98500711**) available from Travis Industries that aid in handling this fireplace. Follow the directions below to configure the shipping brackets to accommodate the lifting handles.

- (a) Locate the brackets on either end of the fireplace.
- (b) Use a screw gun to remove the (3) Philips head screws from each bracket.
- (c) Use a 3/8" driver to remove the (2) bolts that secure each bracket to the fireplace.
- (d) On each end of the fireplace, swap the brackets.
- (e) Secure the brackets to the fireplace using the 3/8" bolts removed in step (c).
- (f) Attach the optional moving handles to the brackets using the bolts included with the handles.



Fireplace Placement Requirements

- This appliance may be installed in a residential or commercial/public space.

NOTE: We strongly suggest consulting with the local building official on all aspects of this fireplace prior to installation. Each locality and installation type (residential, commercial, etc....) may have specific installation requirements that are not covered in this manual (e.g., Int. Fuel Gas Code, section 503, etc.).

- The fireplace must be installed on a level surface capable of supporting the fireplace and vent.
- The fireplace must be placed directly on a wood or non-combustible surface (not on linoleum or carpet)
- The Fireplace should be located out of traffic and away from furniture and draperies.
- The Fireplace may be placed in a bedroom.

Clearances

(a) Clearance to Sides of Fireplace: 1/2" (13mm).

(b) Clearance to Back of Fireplace: 1/2" (13mm).

(c) Clearance to Front of Fireplace: 0".

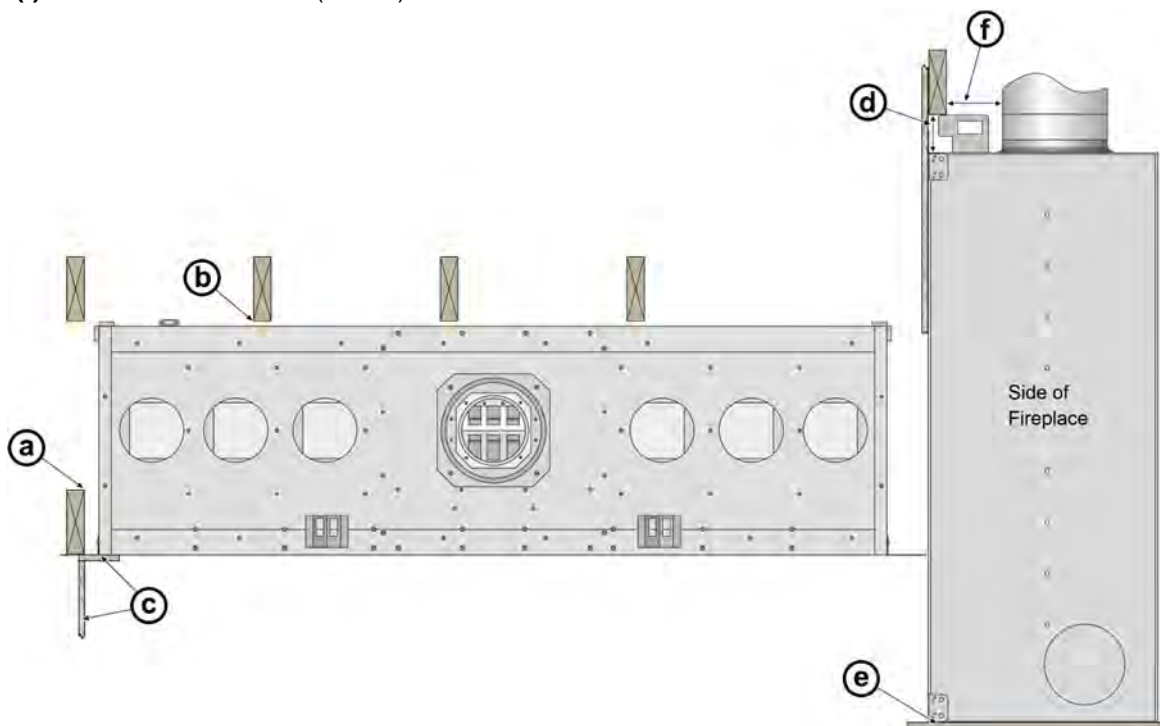
NOTE: Do not cover the glass opening with any material.

NOTE: Side walls may be placed directly to the side of the fireplace.

(d) Clearance to Top of Fireplace: 2-3/4" (70mm) (Header standoff)

(e) Clearance to Bottom of Fireplace: 0" (The fireplace may be placed directly on the subfloor).

(f) Clearance to Vent 1" (26mm)



Raised Fireplaces

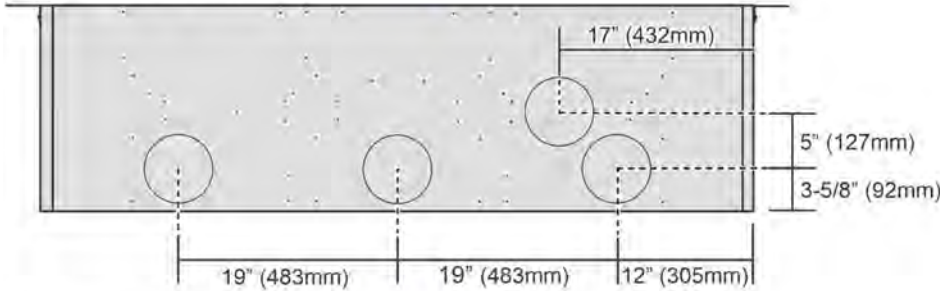
- The fireplace (and hearth, if desired) may be placed on a platform designed to support the fireplace and vent.
- The base of the platform must be a minimum of 3/4" (19mm) plywood (or equivalent). This provides the necessary support for the fireplace.

HINT: We typically display this fireplace on a 24" (610mm) to 36" (915mm) raised platform. Keep in mind that the firebox opening (base of the flames) is 12-1/2" (318mm) above the base. The desired position may vary depending on room size, typical viewing angle, and aesthetic intent.

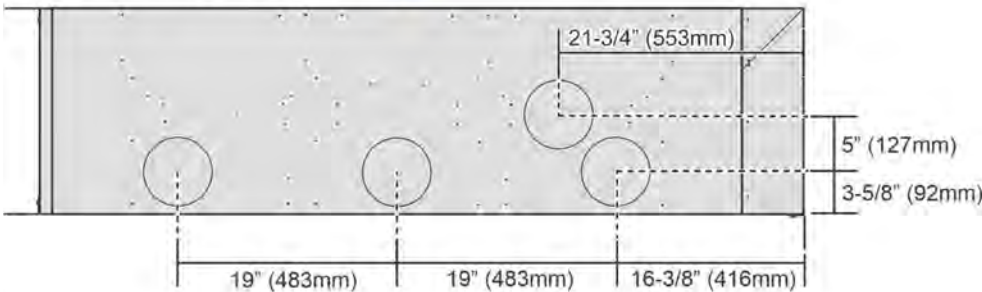
Alternate Blower Inlet Locations

The blower must be used with this fireplace. There are multiple inlet locations for the blower to connect to the fireplace along the back and sides of the fireplace (see the dimensions page at the beginning of the manual). There are additional locations available on the bottom of the fireplace. If using one of these locations, remove the knockout and cut a corresponding hole in the platform where the fireplace will be seated. The alternate locations are shown in the illustrations below.

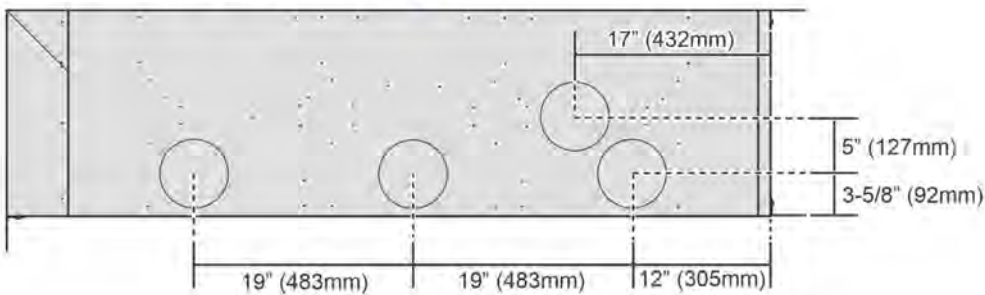
Single Sided - Bottom View



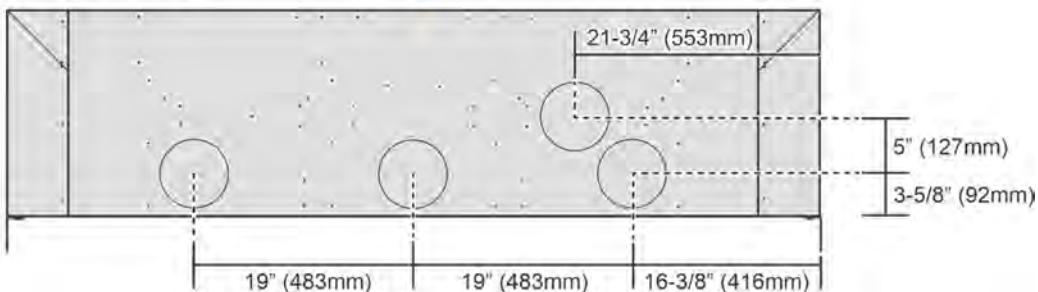
Right Corner - Bottom View



Left Corner - Bottom View



Bay - Bottom View



Ventilated Chase Requirement

This fireplace exhausts heat into the living space using a ventilated chase. The external blower will force heated air from around the firebox and through the vent detailed below. The following ventilation requirements must be met for all installations.

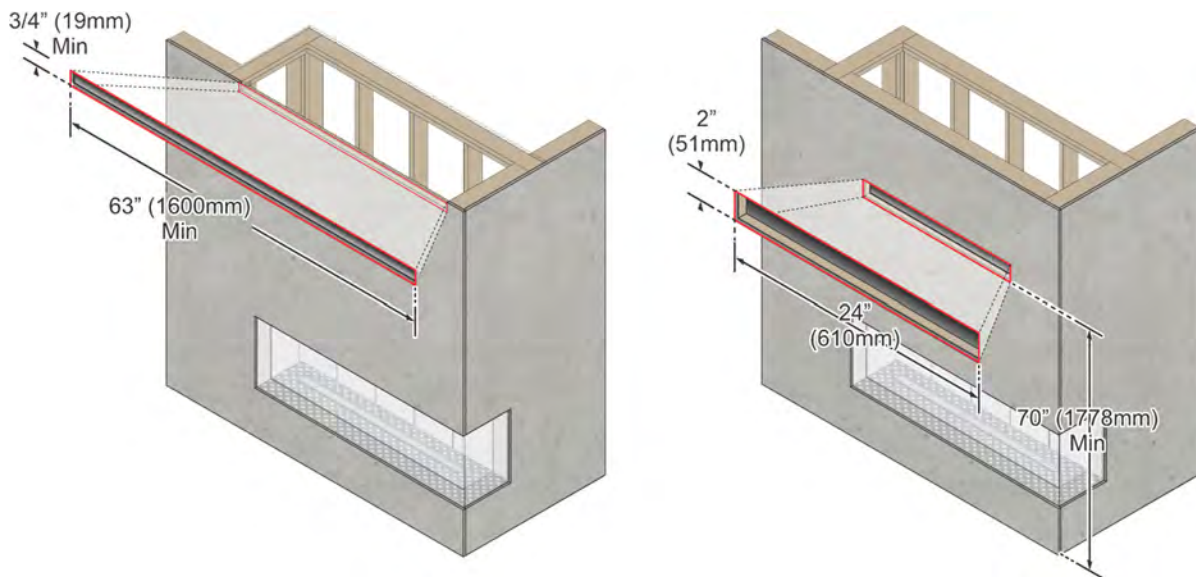
- When installing using the ventilated chase method rather than a CoolSmart wall kit, the chase cavity for the fireplace must have a ceiling installed at 94-1/2" (2401mm).
- If the fireplace is installed against an insulated wall, the inside of the chase must be lined with sheetrock or other suitable 1/2" thick sheeting.

NOTE: The framing dimensions included in this manual include room for the 1/2" sheeting while maintaining the required clearances.

- The minimum free area (including framing and finish material) required for ventilating the chase is 48 square inches (30968 square mm) and a minimum height of 3/4" (19mm)

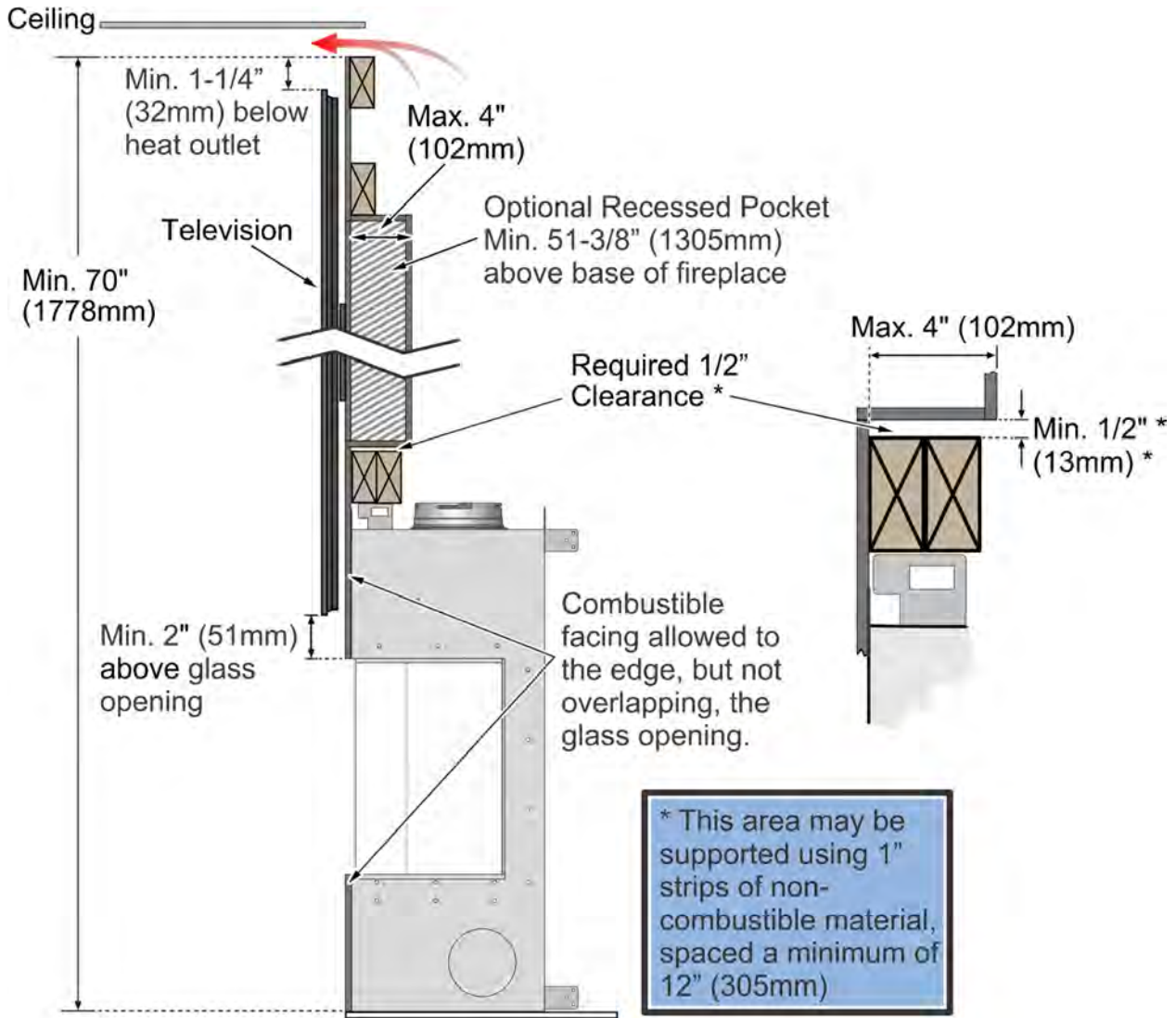
Examples of acceptable opening dimensions:

- 3/4" (19mm) high by 63" (1600mm) wide.
- 1" high (26mm) by 48" (1219mm) wide.
- 2" (51mm) high by 24" (610mm) wide.
- The bottom of the framed opening must be a minimum of 70" (1778mm) from the base of the fireplace.



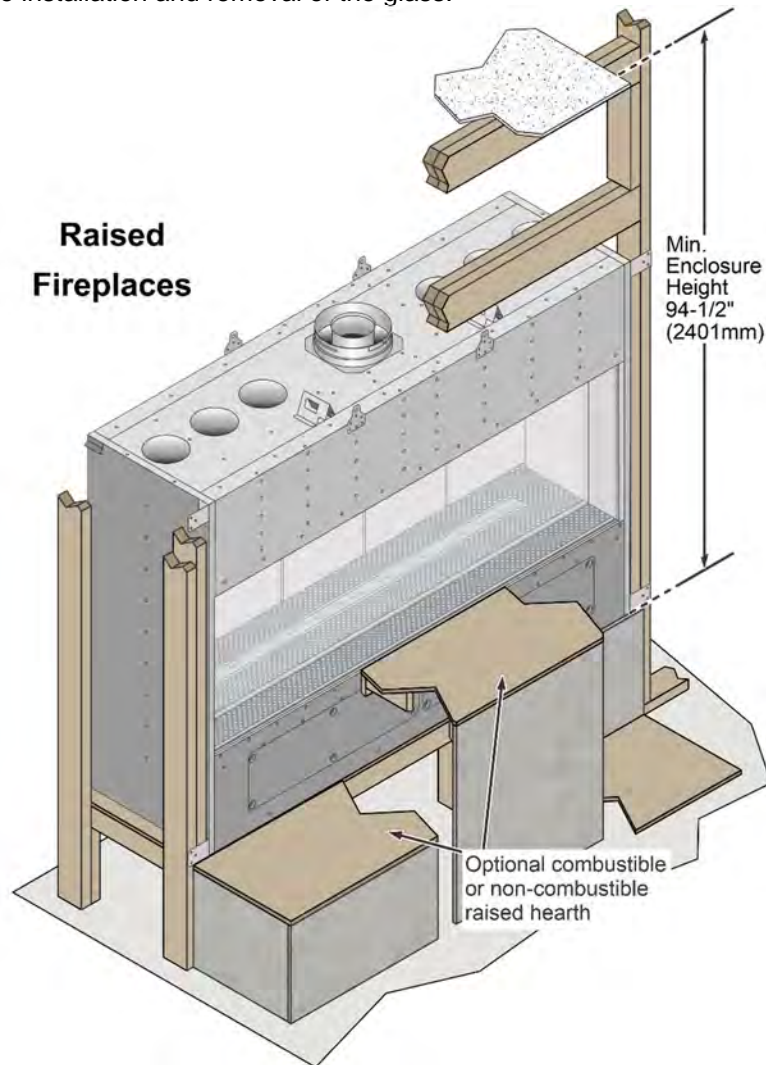
TV Installations with a Ventilated Chase

When installing a television above the fireplace (forward of the front of the fireplace or in an optional recessed pocket) with a ventilated chase the following requirements must be met. If using a CoolSmart TV wall kit™, refer to the instructions included with the kit.



Hearth Requirements

A combustible or noncombustible hearth may be installed in front of the fireplace anywhere up to the edge of the fireplace opening. The hearth finish material must not extend above the fireplace opening or it will interfere with the installation and removal of the glass.



Vinyl Flooring Recommendations

There are no limitations on the use of vinyl flooring in proximity to the fireplace. Vinyl flooring may be installed up to the front of the fireplace and as high as the fireplace opening. The vinyl flooring must not extend above the fireplace opening or it will interfere with installation and removal of the glass.

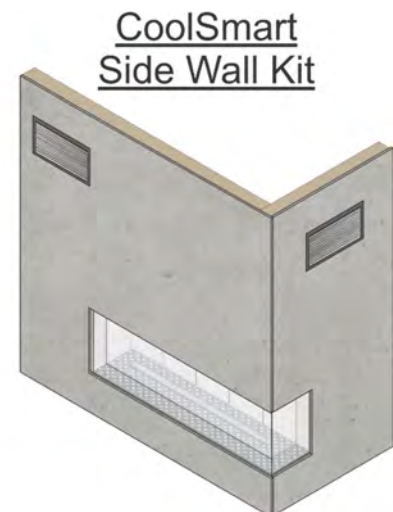
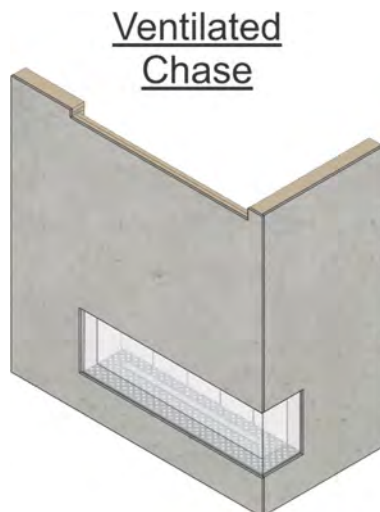
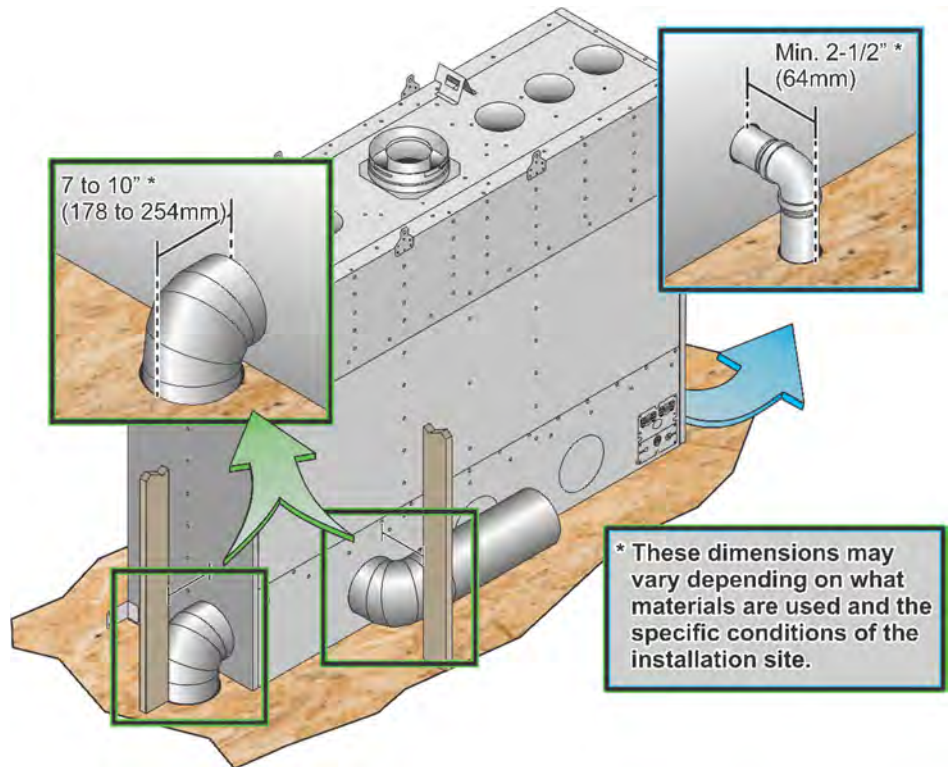
Important Considerations for Framing

The following pages show examples of the minimum framing for the Firenze fireplace in its various configurations. It is important to note that the dimensions given are the **MINIMUM** for the appliance and the minimum dimensions may not work for every installation. When planning the installation an important consideration is the amount of space needed for the blower and the blower duct, as well as the space needed to connect incoming gas to the appliance.

If the fireplace is being installed up against an interior framed wall, gas may be able to be run through the bottom plate of the wall and the fireplace could sit further back. If the fireplace is being installed against a shear wall, the framed cavity for the fireplace will need to be deeper to accommodate the gas line connection.

Similarly, there are multiple locations for the blower duct to connect to the fireplace. If a rear or side location is selected, the framed cavity will need to be larger to accommodate the duct (see the illustration above).

Another important consideration for the Firenze fireplace is that it requires a ventilated chase, CoolSmart™ cool wall kit, or a CoolSmart™ Side Vent kit to cool the appliance, the chase, and to move heat into the living space. Each of these options requires different framing dimensions. There are too many potential variations with the installation of these options for us to illustrate them all in the appliance manual, so pay close attention to the requirements in the instructions for each of the various approaches to handling the heat from this appliance before you start the installation.

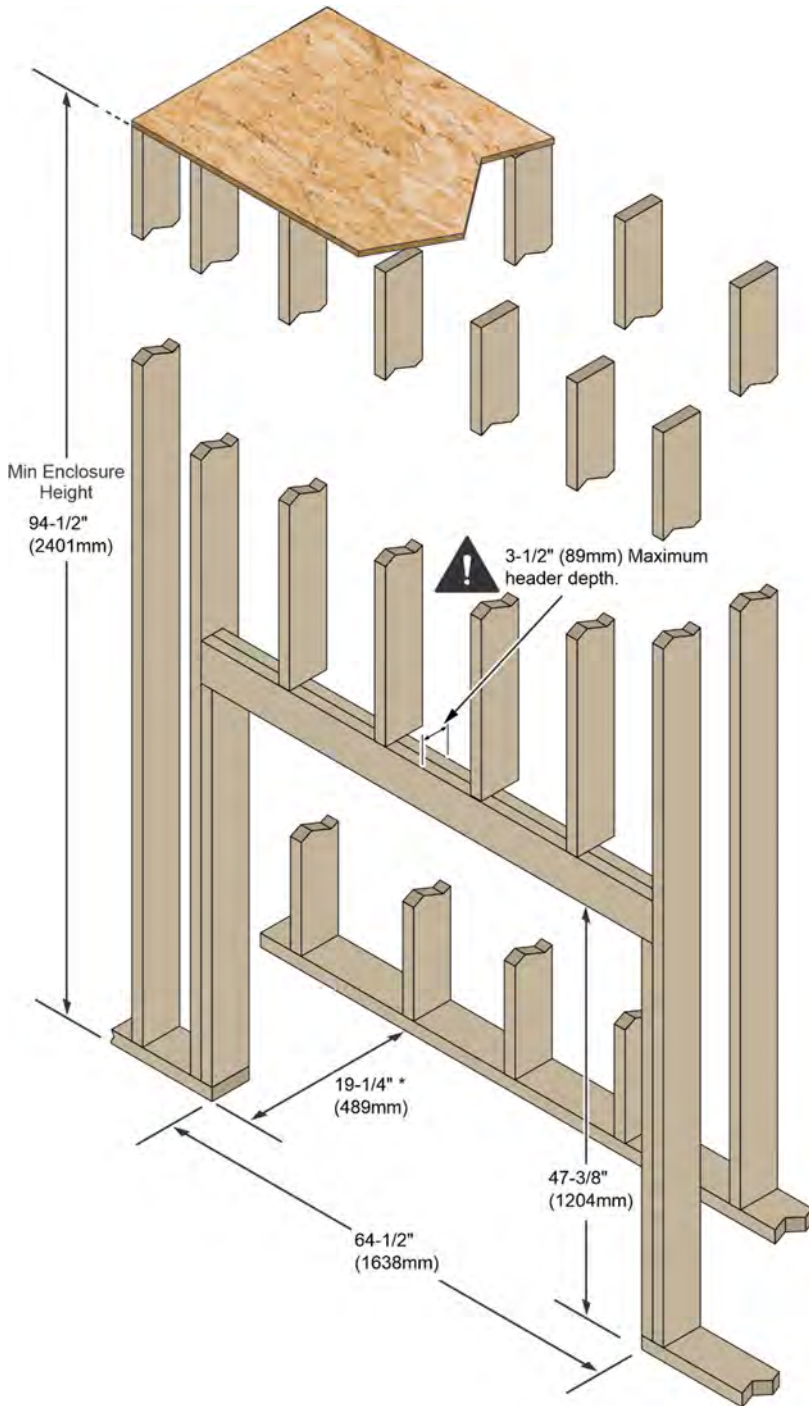


Minimum Framing Dimensions – Single Sided configuration

Min. Framing - Without CoolSmart TV kit

WARNING

When using a CoolSmart TV kit, see section: “CoolSmart TV - Framing the Chase” on page 82 of this manual or the installation instructions included with the kit for minimum framing dimensions.



WARNING

All installations MUST use either a ventilated chase OR a CoolSmart Cool Wall kit. Both methods have specific requirements that will affect the framing. Consult page 17 for ventilated chase installations and page 82 for CoolSmart installations when planning the installation.

NOTE: The framing dimensions shown include room for 1/2" sheeting on the interior of the chase (Required if using a ventilated chase when installed on an insulated wall).

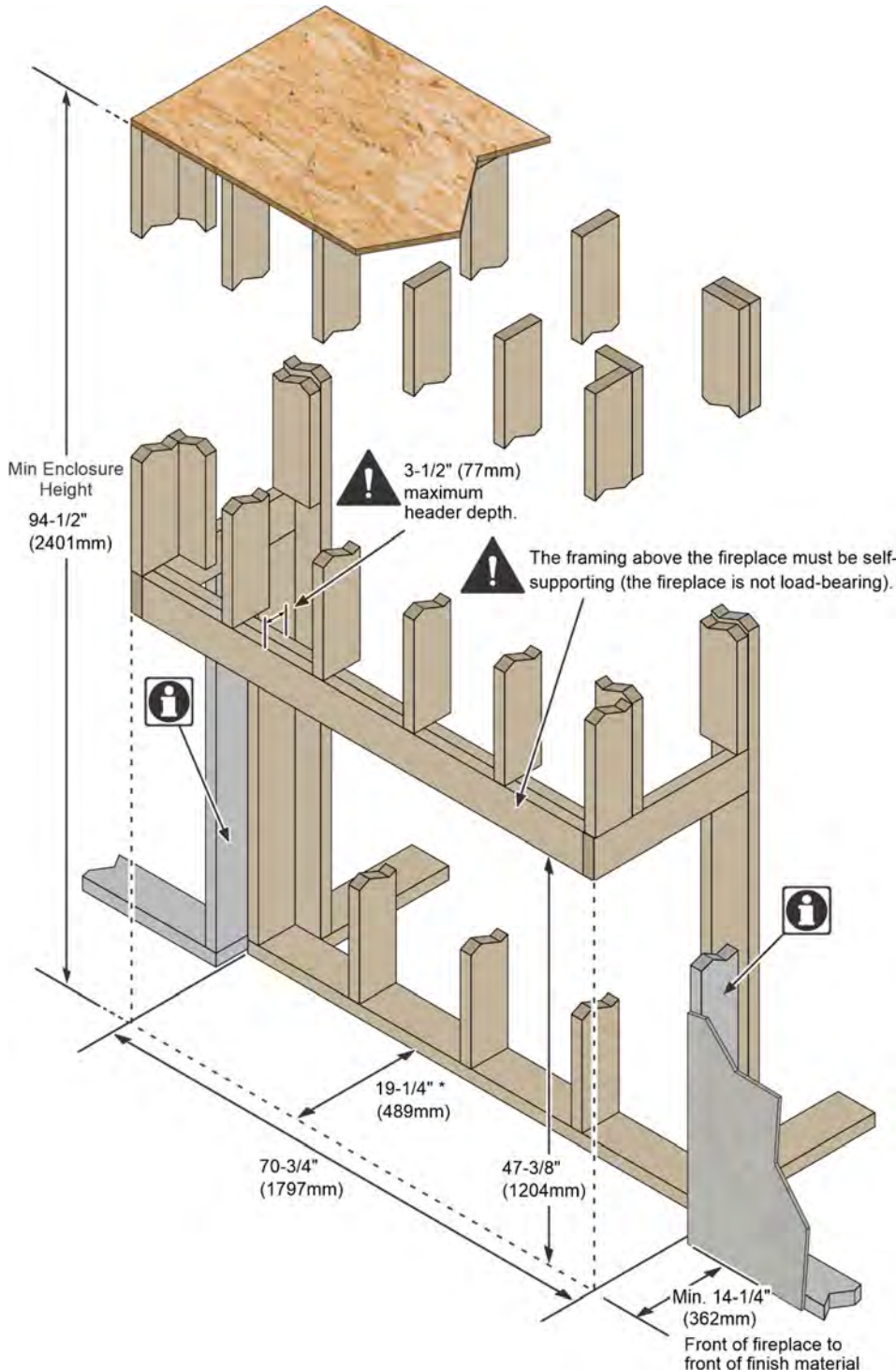
*This dimension may change due to duct layout for convection blower and/or the incoming gas line (See page 20 for details).

Minimum Framing Dimensions – Bay configuration

Min. Framing - Without CoolSmart TV kit

WARNING

When using a CoolSmart TV kit, see section: “CoolSmart TV - Framing the Chase” on page 83 of this manual or the installation instructions included with the kit for minimum framing dimensions.



WARNING

All installations MUST use either a ventilated chase OR a CoolSmart Cool Wall kit. Both methods have specific requirements that will affect the framing. Consult page 17 for ventilated chase installations and page 83 for CoolSmart installations when planning the installation.



Recessing the Back Edge of the Fireplace (Optional)

Installers may wish to recess the back of the fireplace to allow for a shallower installation, placing the side glass next to the side wall(s). If you decide to recess the back of the fireplace, make sure to accommodate the framing and facing dimensions. The back edge of the glass extends to a location 14-1/4" (362mm) from the front of the fireplace (see fireplace dimensions page for details). Consult the dimensions page and plan your installation carefully before framing the chase.

NOTE: The framing dimensions shown include room for 1/2" sheeting on the interior of the chase (Required if using a ventilated chase when installed on an insulated wall)

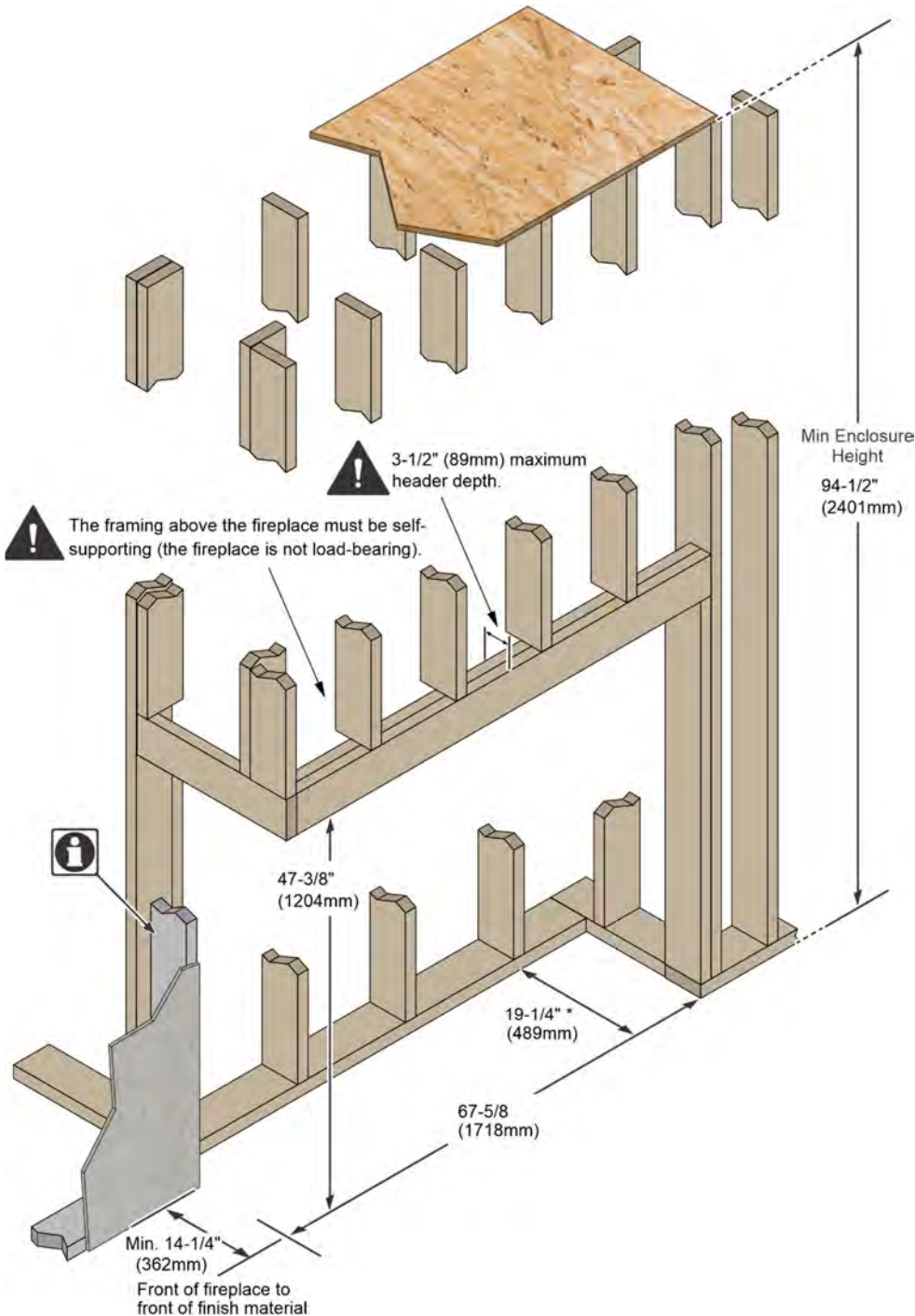
*This dimension may change due to duct layout for convection blower and/or the incoming gas line (See page 20 for details).

Minimum Framing Dimensions – Left Corner configurations

Min. Framing - Without CoolSmart TV kit

WARNING

When using a CoolSmart TV kit, see section: “CoolSmart TV - Framing the Chase” on page 84 of this manual or the installation instructions included with the kit for minimum framing dimensions.



WARNING

All installations MUST use either a ventilated chase OR a CoolSmart Cool Wall kit. Both methods have specific requirements that will affect the framing. Consult page 17 for ventilated chase installations and page 84 for CoolSmart installations when planning the installation.



Recessing the Back Edge of the Fireplace (Optional)

Installers may wish to recess the back of the fireplace to allow for a shallower installation, placing the side glass next to the side wall(s). If you decide to recess the back of the fireplace, make sure to accommodate the framing and facing dimensions. The back edge of the glass extends to a location 14-1/4" (362mm) from the front of the fireplace (see fireplace dimensions page for details). Consult the dimensions page and plan your installation carefully before framing the chase.

NOTE: The framing dimensions shown include room for 1/2" sheeting on the interior of the chase (Required if using a ventilated chase when installed on an insulated wall)

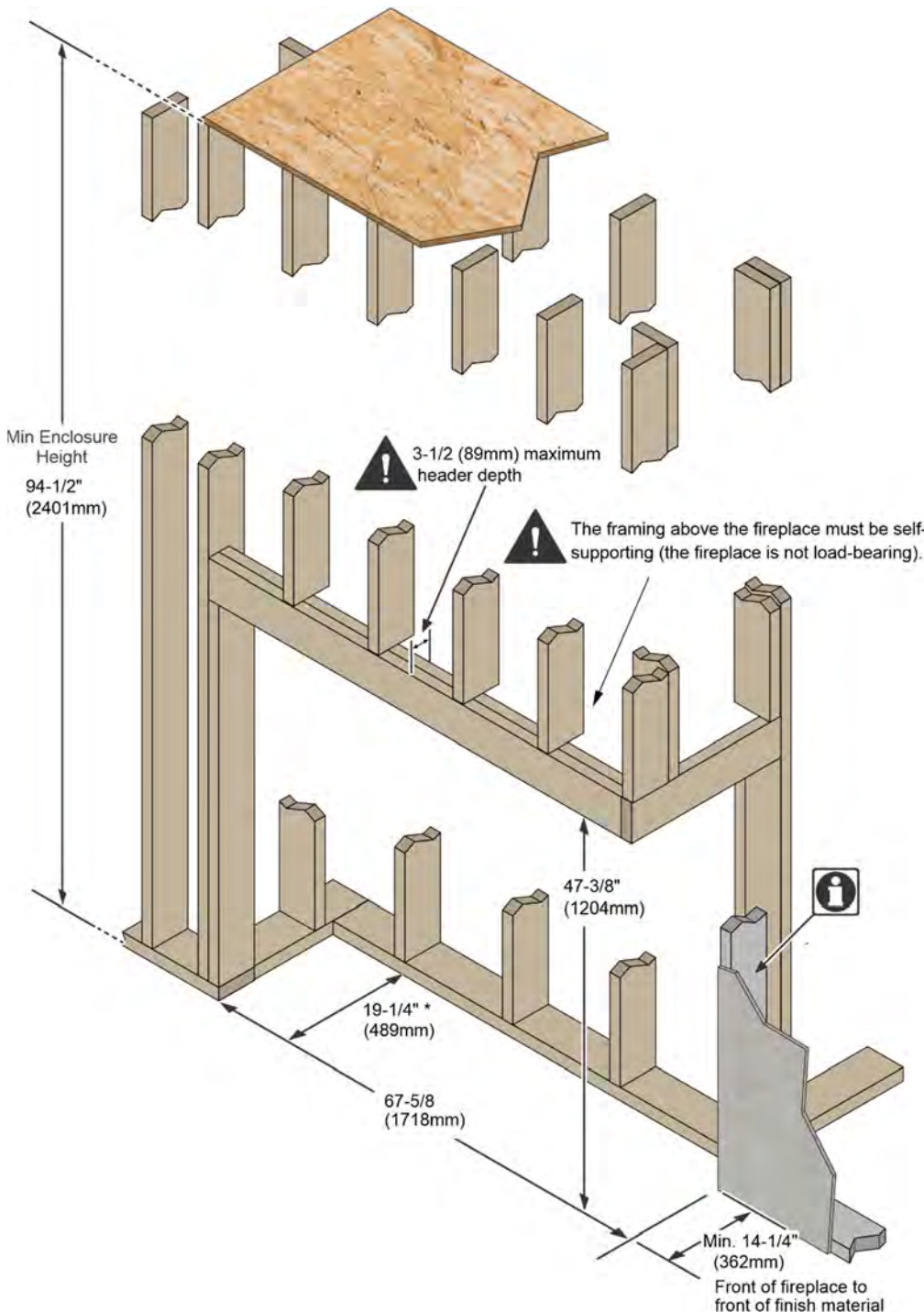
*This dimension may change due to duct layout for convection blower and/or the incoming gas line (See page 20 for details).

Minimum Framing Dimensions – Right Corner configuration

Min. Framing - Without CoolSmart TV kit

WARNING

When using a CoolSmart TV kit, see section: “CoolSmart TV - Framing the Chase” on page 85 of this manual or the installation instructions included with the kit for minimum framing dimensions.



WARNING

All installations MUST use either a ventilated chase OR a CoolSmart Cool Wall kit. Both methods have specific requirements that will affect the framing. Consult page 17 for ventilated chase installations and page 85 for CoolSmart installations when planning the installation.

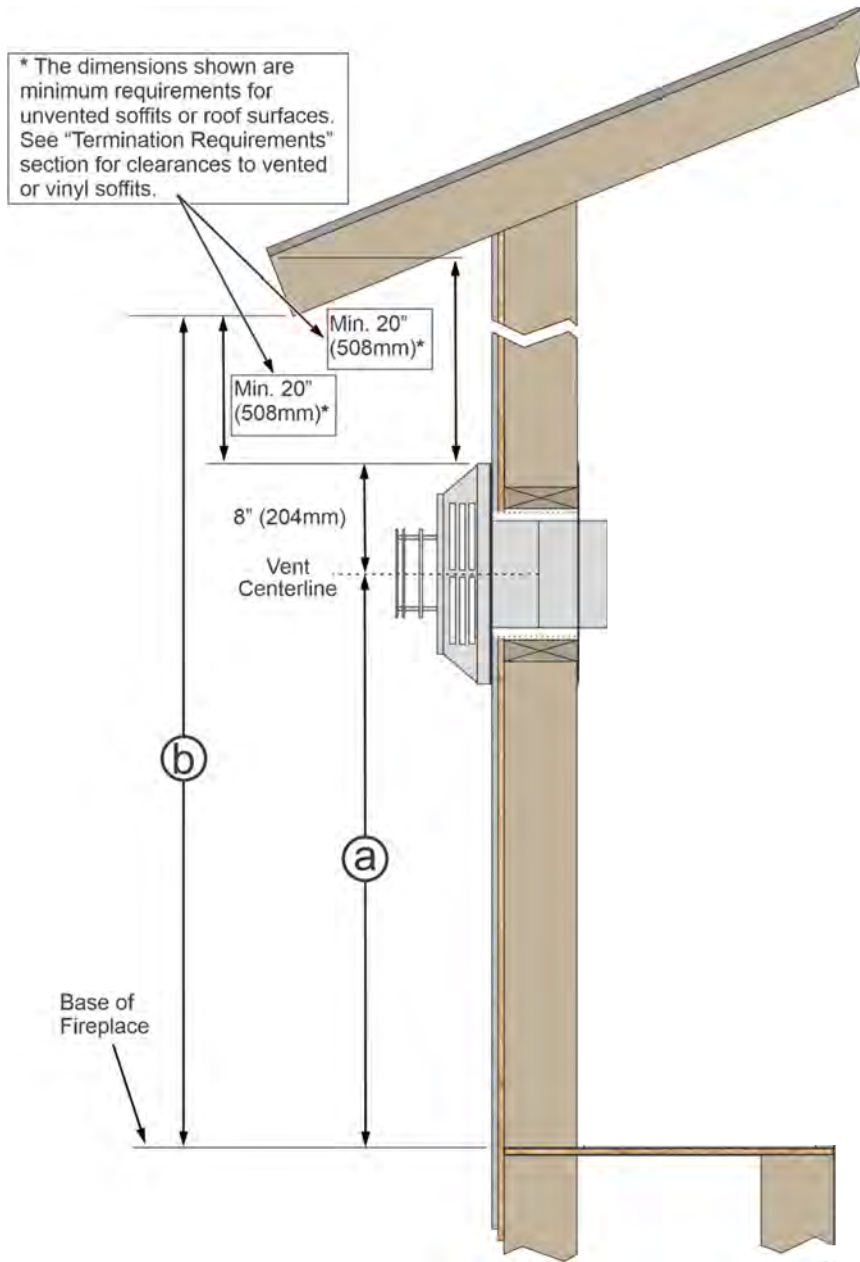
Recessing the Back Edge of the Fireplace (Optional)

Installers may wish to recess the back of the fireplace to allow for a shallower installation, placing the side glass next to the side wall(s). If you decide to recess the back of the fireplace, make sure to accommodate the framing and facing dimensions. The back edge of the glass extends to a location 14-1/4" (362mm) from the front of the fireplace (see fireplace dimensions page for details). Consult the dimensions page and plan your installation carefully before framing the chase.

NOTE: The framing dimensions shown include room for 1/2" sheeting on the interior of the chase (Required if using a ventilated chase when installed on an insulated wall)

*This dimension may change due to duct layout for convection blower and/or the incoming gas line (See page 20 for details).

Minimum Vent “Bump Out” application



Firenze

Both Fuel Types

36" Vertical Vent (Min. Rise)

<p>(a) Vent Centerline</p>	<p>Approx. 87" (2210mm)</p>
<p>(b) FP Base to Roof Eave</p>	<p>Approx. 115" (2921mm)</p>

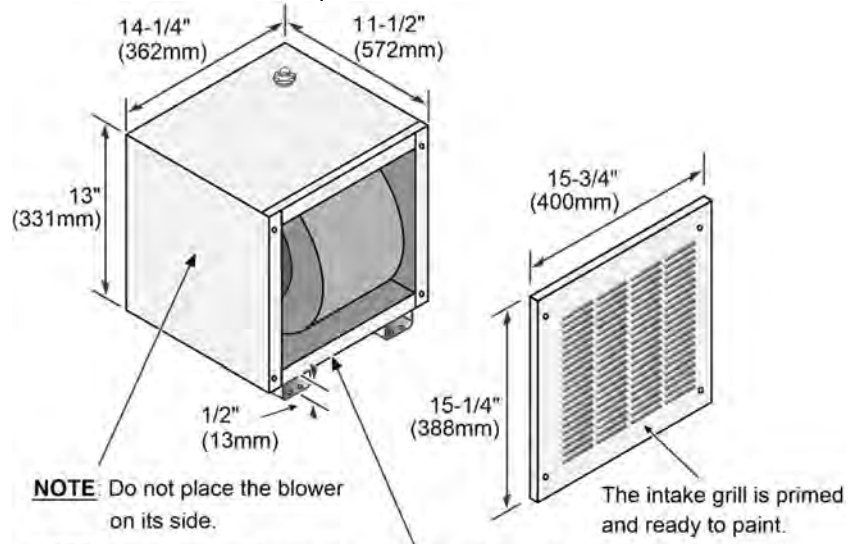
Blower Placement Requirements

The fireplace is designed to force room air through the outer layer of the appliance, extract heat from the firebox, and exhaust that heat back into the room. The blower is required for all Installations.

- The blower can be ducted to the fireplace using the included flex pipe or smooth-walled rigid pipe (not supplied).
- The maximum run with the included flex pipe is 10' in length with up to 270 degrees of bends and a maximum of 3' of rise or negative rise from the inlet opening.
- The maximum run with smooth-walled, rigid pipe is 20' with up to 270 degrees of elbows and a maximum of 9' of rise or 3' of negative rise from the base of the fireplace.

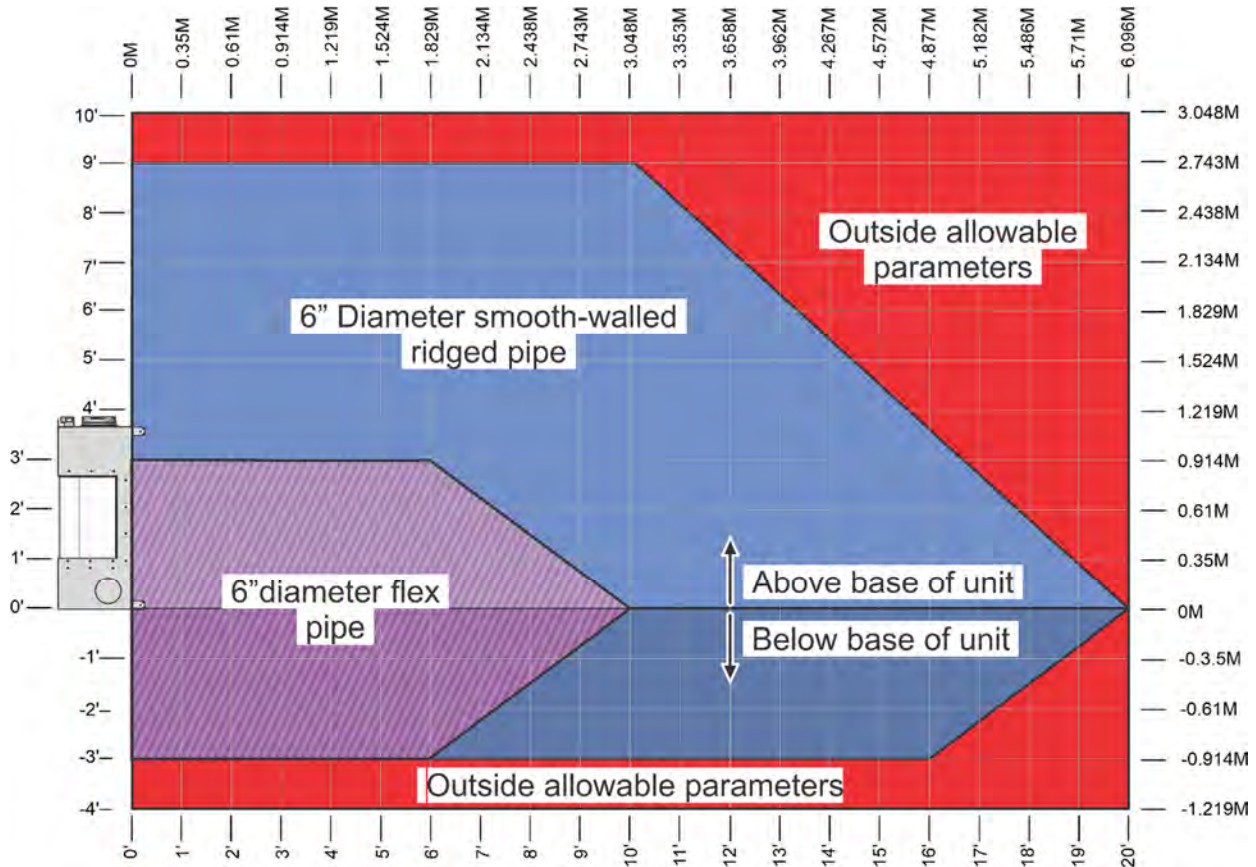
NOTE: If using rigid pipe all joints between sections of pipe must be sealed with sealed with aluminum (U.L. 181A-P) tape.

- The blower must pull intake air from within the insulated envelope of the building.
- The blower box has a removable grill that allows access to the blower. The blower box must be placed so it may be accessed at a later time.
- The blower box must be oriented as shown above (grill cannot be facing upward or downward. Do not place the blower box on its side (power inlet on the side with the grill on its side).



NOTE: Do not place the blower on its side.

NOTE: If placing the blower near the floor, make sure the bottom edge is a min. 1-1/2" (39mm) above the finished floor to allow the grill to install. The fan housing has 1/2" (13mm) legs, so you may need to shim under the housing to meet this requirement depending on the specifics of the job site & desired blower location.

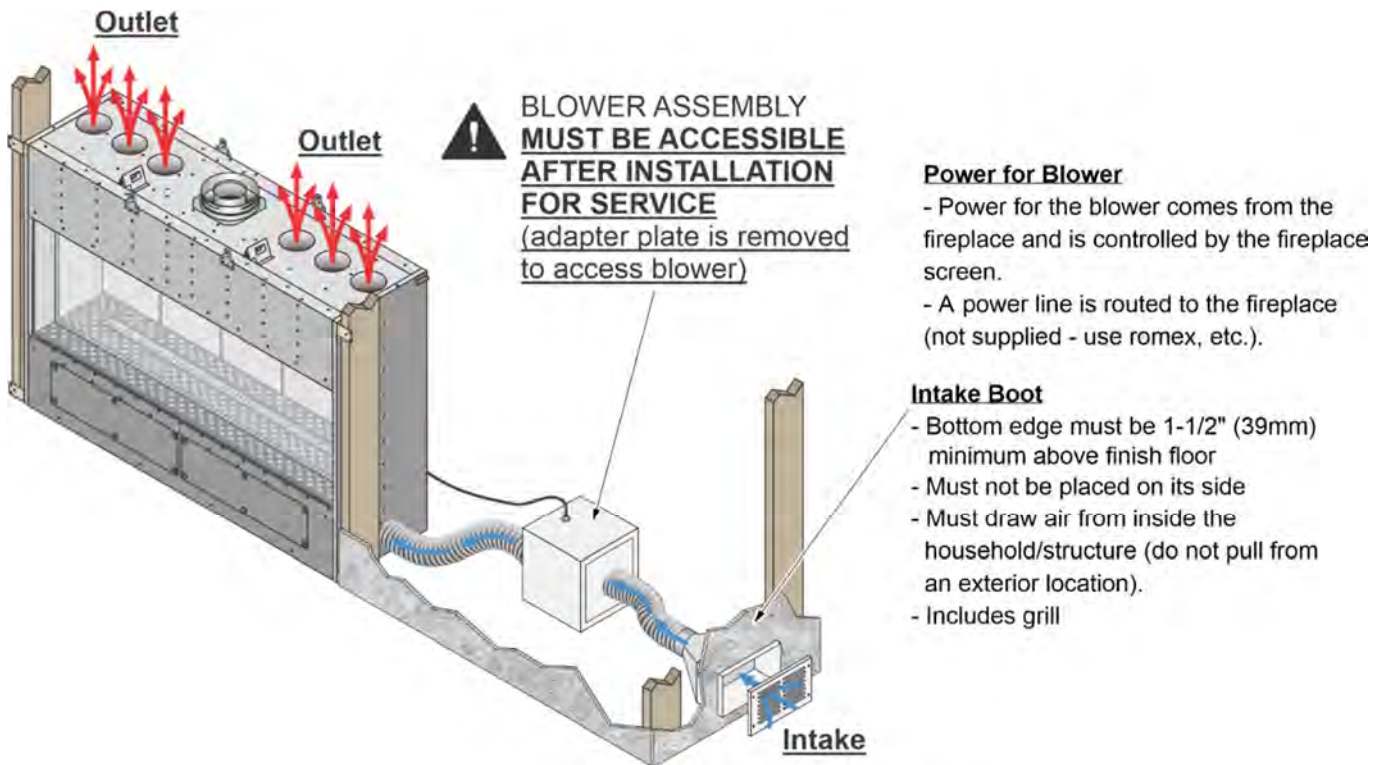


Important Consideration When Selecting Blower Location

The blower is an integral part of the operation of the Firenze fireplace. The blower will be in operation every time the fireplace is in use. When planning the installation of the Firenze we would highly recommend the selection of a blower location that will limit the intrusion of any air noise created by the blower. We recommend that the blower be installed in a mechanical room, insulated attic, ventilated closet, etc. Another approach is to use the Remote Intake Grill Kit described below.

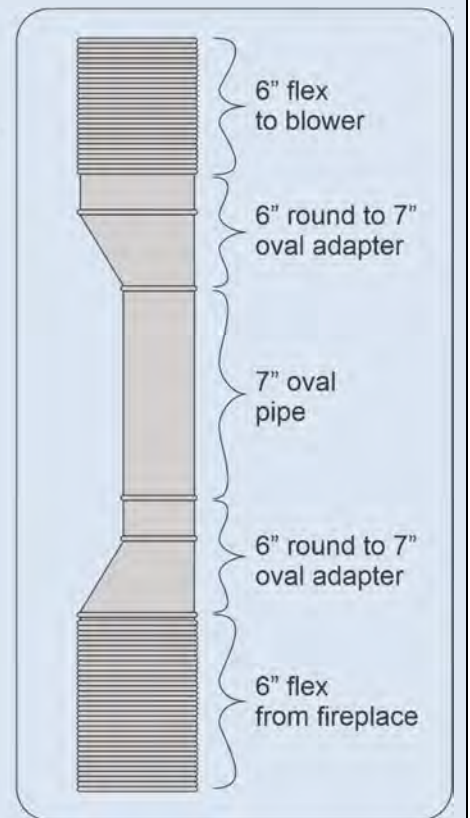
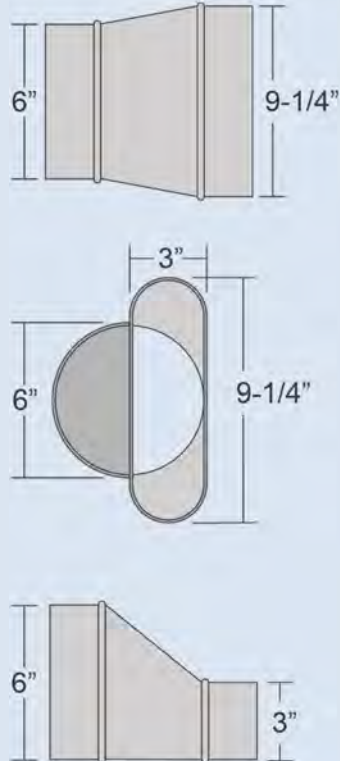
Remote Intake Grill Kit (94400133)

There is a remote intake grill kit available for this fireplace. This kit allows for the blower assembly to be placed in a remote location, eliminating the stock intake grill. This kit uses a 6" by 12" intake grill, 8" duct, and adapter plate to direct air to the blower assembly. The maximum duct length is 3' (we suggest minimizing this length to improve air flow). See the remote intake grill kit instructions for further details.



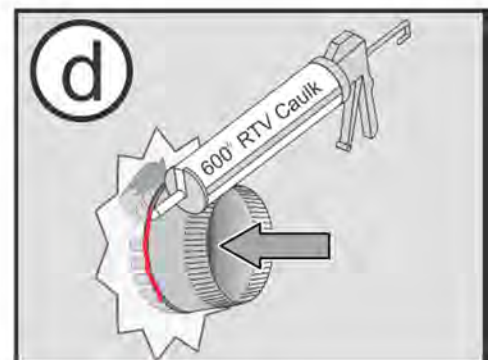
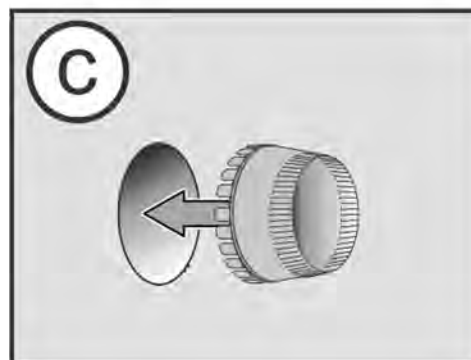
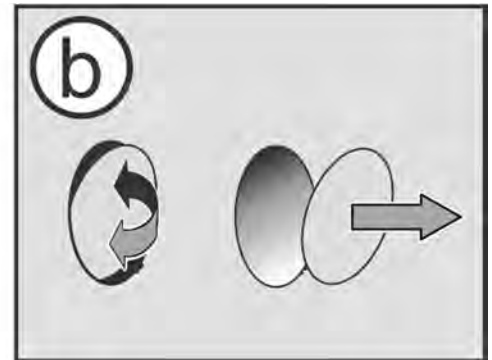
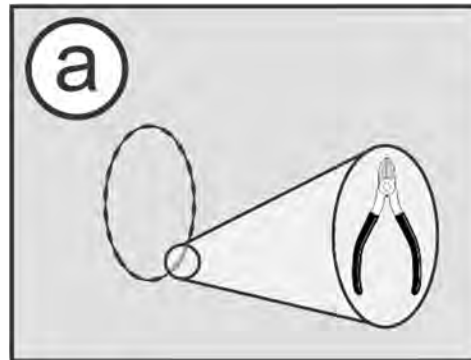
Using Oval Pipe in the Blower Duct Run

Both rigid and flex ducts can transition to an oval pipe and back to a 6" round duct to fit between framing members or in a stud cavity. The oval pipe must be 7" oval with dimensions of 9-1/4" wide by 3" deep. Joints between sections of pipe must be sealed with aluminum (U.L. 181A-P) tape.

**Installing the Starter Collar for the Blower Inlet (on fireplace)**

To install the starter collar on the fireplace, follow the steps below.

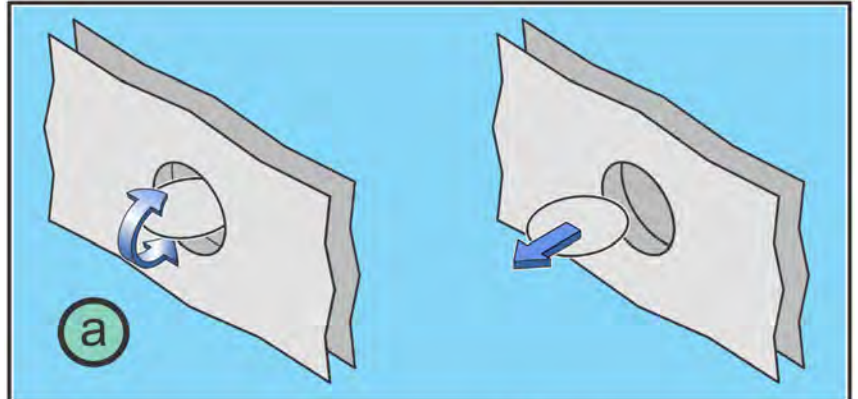
- Use a pair of diagonal cutters to snip the tabs that secure the knockout to the outer can of the fireplace.
- Rock the knockout back and forth to break it free from the can and remove it from the fireplace. The knockout can be discarded.
- Insert the tabs on the bottom of the starter collar into the hole on the fireplace can. Reach through the starter collar and push the tabs outward to lock the starter collar in place (use gloves to protect from cutting your hand on the sharp metal edges).
- Use high temperature silicone caulk to seal the collar to the fireplace can.



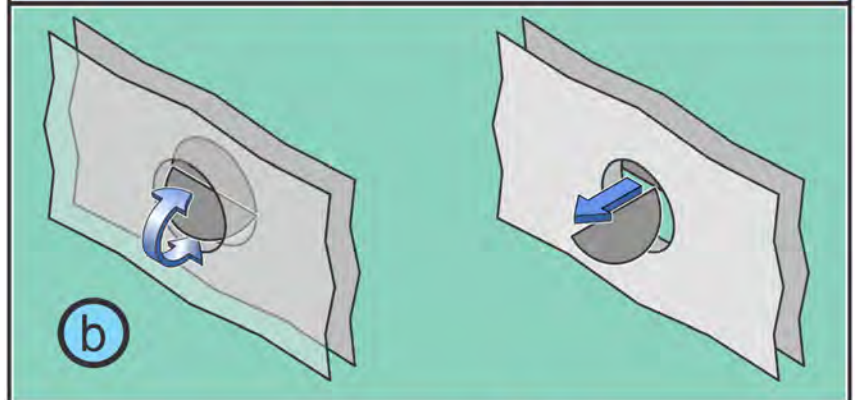
Extra Steps for Using a Right Blower Inlet - (RIGHT BLOWER INLET ONLY).

When using a right blower inlet there are additional steps taken when connecting the flex pipe to the side of the fireplace. Follow the steps below.

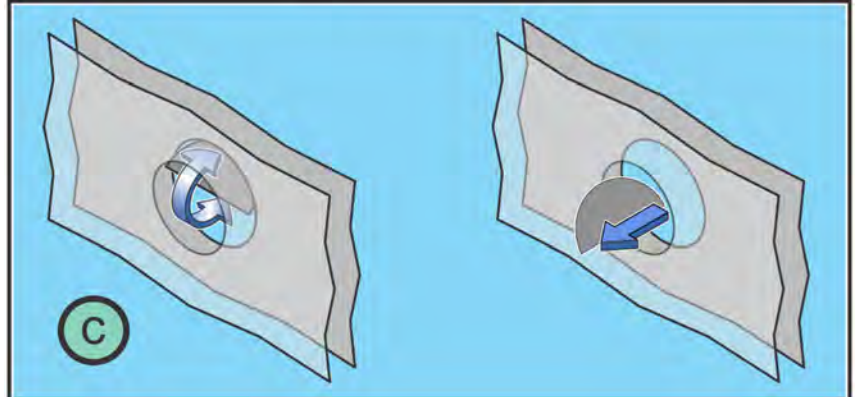
- (a) Remove the knockout from the outer layer of the fireplace as shown to the right.



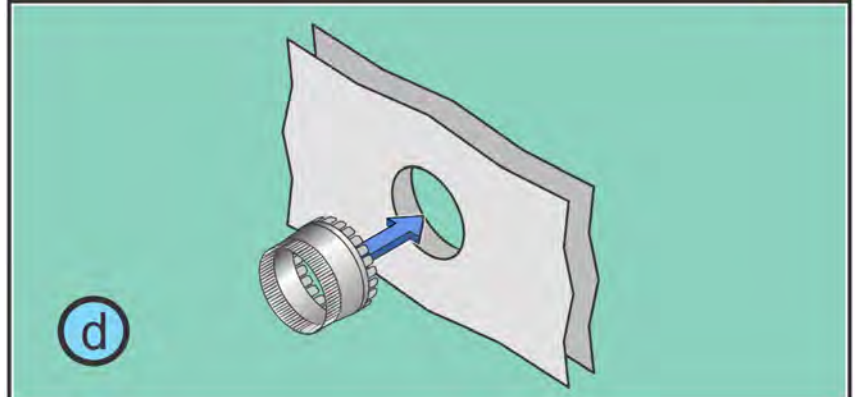
- (a) Reach through the hole that was created by removing the knockout. There is another knockout on the inner layer of the fireplace. This knockout is larger in diameter than the first, so it is separated into halves for removal through the outer hole. Remove one-half of the knockout.



- (c) Remove the other half of the inner knockout, in the same manner.



- (d) Install the starter collar in the outer layer of the fireplace. See the "[Installing the Starter Collar for the Blower Inlet \(on fireplace\)](#)" section on the previous page for details.



Gas Line Requirements

MASSACHUSETTS INSTALLATIONS - WARNING:

THIS PRODUCT MUST BE INSTALLED BY A LICENSED PLUMBER OR GAS FITTER WHEN INSTALLED WITHIN THE COMMONWEALTH OF MASSACHUSETTS.

OTHER MASSACHUSETTS CODE REQUIREMENTS:

- Flexible connector must not be longer than 36 inches.
 - Shutoff valve must be a "T" handle gas cock.
 - Only direct vent sealed combustion products are approved for bedrooms or bathrooms.
 - Fireplace dampers must be removed or welded in the open position prior to the installation of a fireplace insert or gas log.
 - A carbon monoxide (CO) detector is required in the same room as the appliance.
- The gas line must be installed in accordance with all local codes if any. If not, follow ANSI 223.1 and NFPA 54(88), in Canada follow CSA B149.1 and the requirements listed below.
 - The fireplace and gas control valve must be disconnected from the gas supply piping during any pressure testing of that system at test pressures in excess of 1/2 psig (3.5 kPA). For pressures under 1/2 psig (3.5 kPA), isolate the gas supply piping by closing the manual shutoff valve.
 - Leak test all gas line joints and the gas control valve prior to and after starting the fireplace.
 - This unit has been listed using the included internal gas shutoff valve.

Fuel

- This fireplace is designed either for natural gas or for propane (but not for both).

Gas Line Connection

- Installation must be performed by a qualified installer, service agency, or the gas supplier (In Massachusetts a licensed plumber/gasfitter).
- The gas inlet accepts 1/2" MPT.

Gas Inlet Pressure

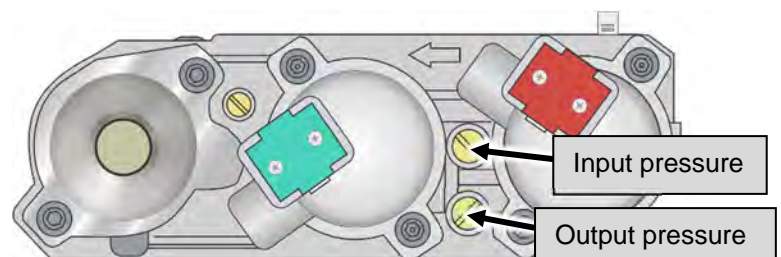
Gas Pressure	Max. Input Pressure	Min. Input Pressure	Max. Manifold Pressure	Min. Manifold Pressure
Natural Gas	7" W.C. (1.74 kPA)	5.5" W.C. (1.37 kPA)	3.8" W.C. (0.95 kPA)	1.1" W.C. (0.27 kPA)
Propane	13" W.C. (3.23 kPA)	11" W.C. (2.74 kPA)	11" W.C. (2.74 kPA)	2.9" W.C. (0.72 kPA)

- If the pressure is not sufficient, make sure the piping used is large enough, the supply regulator is adequately adjusted, and the total gas load for the residence does not exceed the amount supplied.

The supply regulator (the regulator that attaches directly to the residence inlet or the propane tank) should supply gas at the suggested input pressure listed above. Contact the local gas supplier if the regulator is at improper pressure.

Directions for Connecting a Gas Pressure Test Gauge

- The gas control valve (shown to the left) has two accessible ports for testing line pressure and output pressure. Loosen the brass screw on either test port and place a 5/16" i.d. rubber or plastic tubing over the tapered test port. Connect the tubing to the test gauge.
- **WARNING:** The brass screw must be tightened after testing to prevent gas leakage.



Electrical Connection

- The electrical line to the grounded receptacle inside the fireplace must be installed by a qualified installer and must meet all local codes.
- Make sure the household breaker is shut off prior to working on any electrical lines.
- The appliance, when installed, must be electrically grounded in accordance with local codes or, in the absence of local codes, with the National Electrical Code, ANSI/NFPA 70, or the Canadian Electrical Code, CSA C22.1.
- The electrical line must be a min. 14 gauge, and supply 120 Volts, 60 Hz (typical max amps: 5).
- Route the electrical connection through the junction box cover plate and attach it to the hookup wires pictured below.

CAUTION: Label all wires prior to disconnection when servicing controls. Wiring errors can cause improper and dangerous operation.

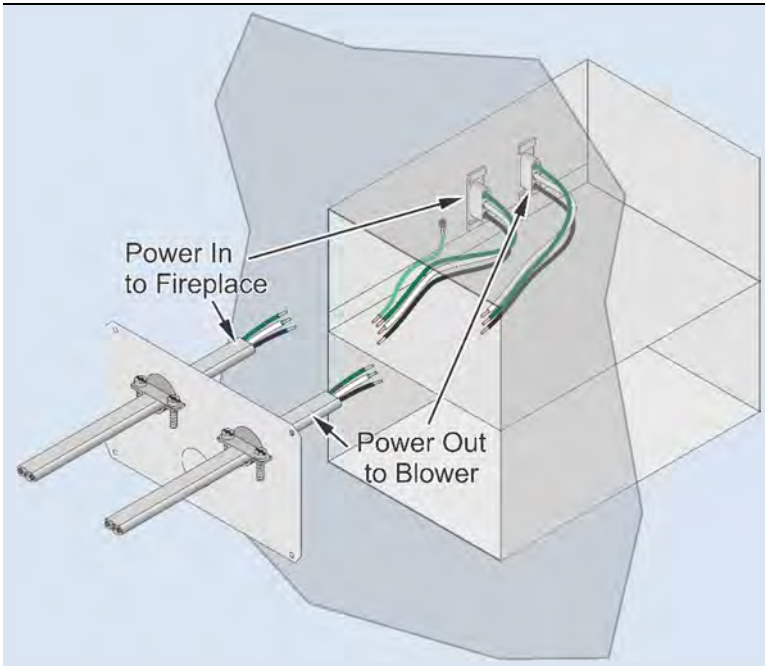


**Do not connect 110-120 VAC to the gas control valve
or wiring system of this fireplace.**



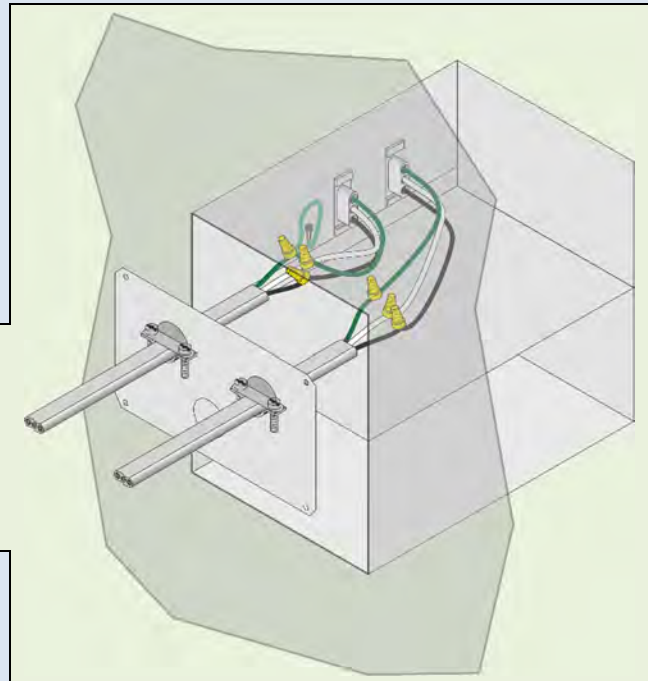
High Voltage Connections

NOTE: Wires are labeled in the fireplace



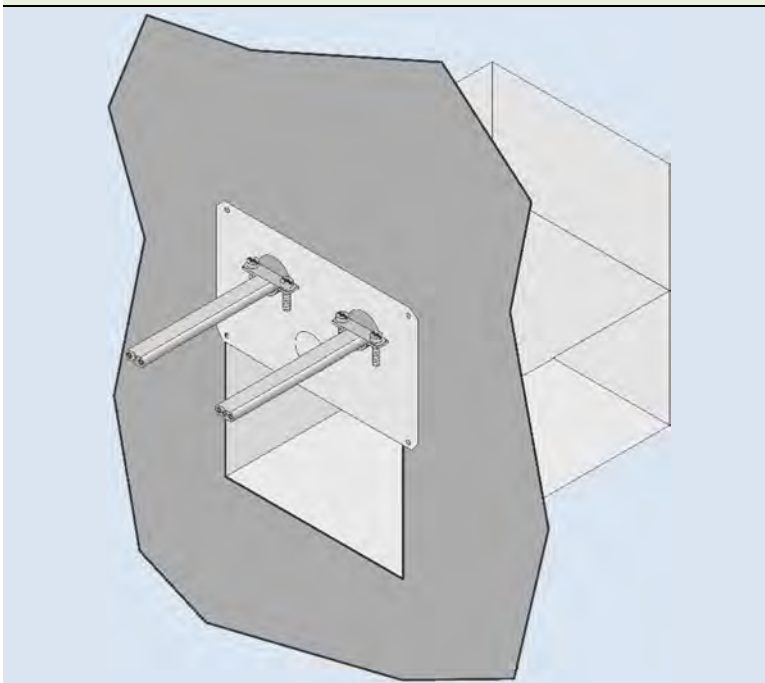
- Install Romex wire through the strain-relief clamps on the electrical box cover plate.

NOTE: Make sure not to overtighten the strain-relief clamps. Overtightening could create a short-circuit



- Connect the Romex to the wire harnesses in the upper portion of the electrical box as shown to the right.

NOTE: There are two ground wires that should be connected to the green wire on the power in Romex, one on the harness and the other connected to the electrical box.

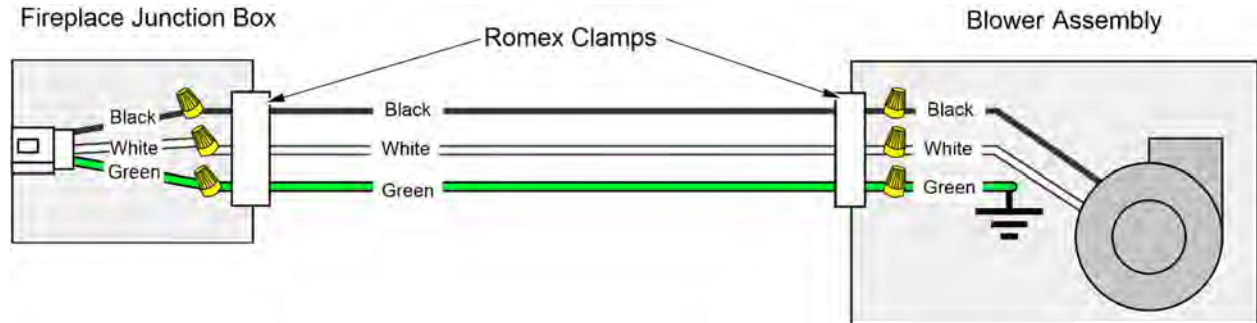


- Push the wires back into the electrical box and secure the cover plate to the fireplace

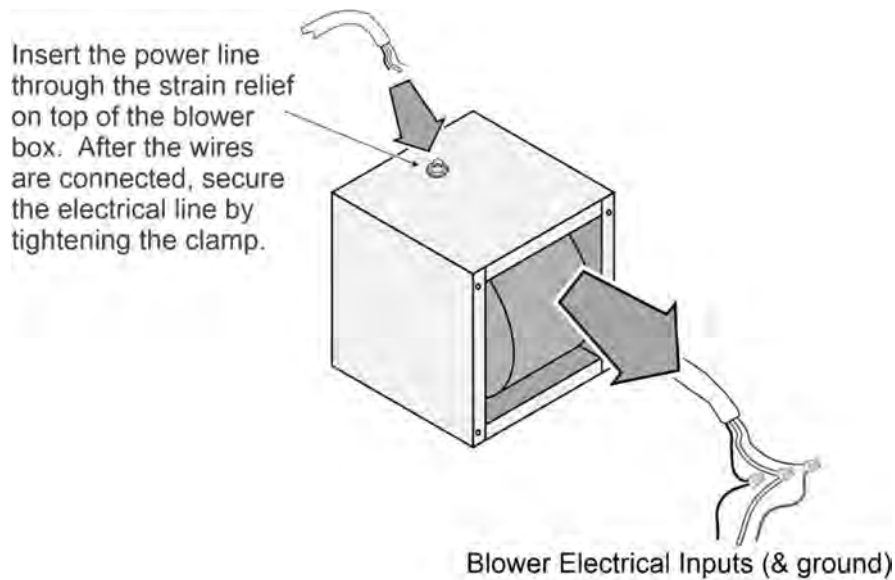
Blower Wiring Instructions

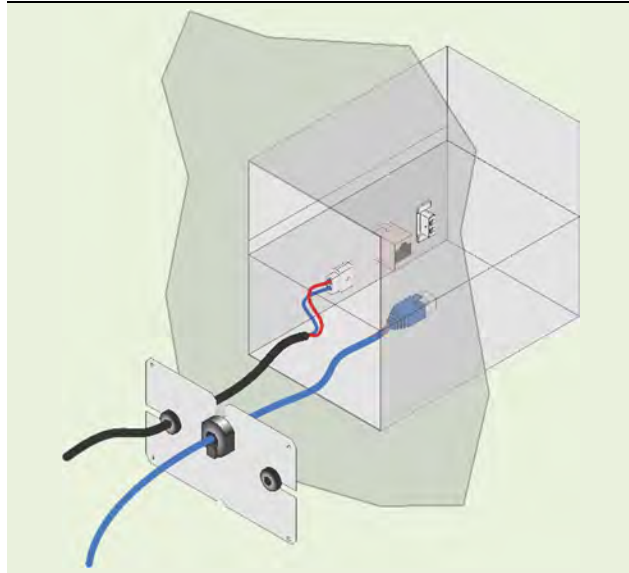
WARNING: All wiring should be done by a qualified electrician and shall be in compliance with local codes and with the current National Electric Code ANSI/NFPA 70 (in the U.S.), or with the current CSC22.1 Canadian Electric Code (in Canada).

Wiring Diagram



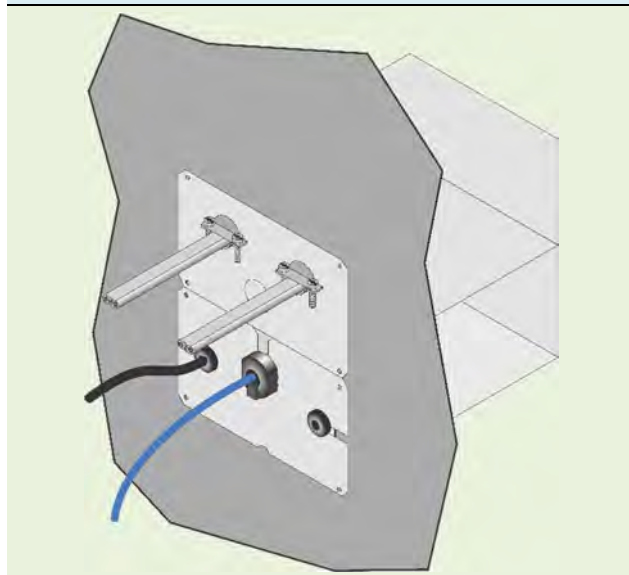
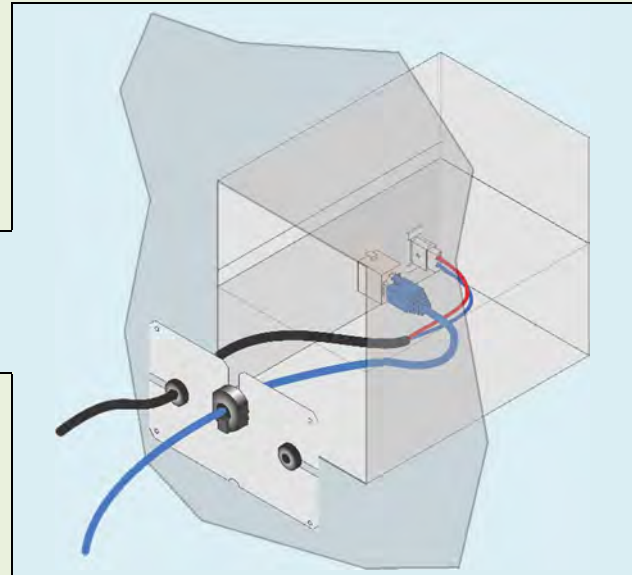
Blower Box Wiring



Low Voltage Connections

- Install the included blower pressure switch wire harness through one of the rubber grommets on the electrical box cover plate. Use pliers to remove the plastic strain-relief clamp from the center hole in the cover plate and install the CAT 5 cable.

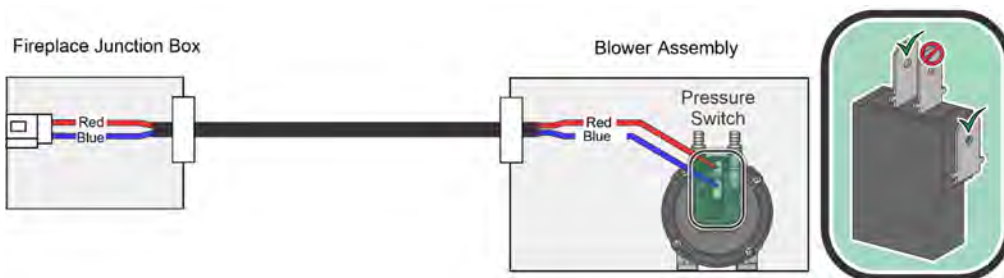
- Connect the blower pressure switch wire harnesses and CAT 5 cable to their respective connectors in the electrical box (see illustration to the right).



- Push the wires back into the electrical box and secure the cover plate to the fireplace

Blower Pressure Switch Wiring Instructions

WARNING: All wiring should be done by a qualified electrician and shall be in compliance with local codes and with the current National Electric Code ANSI/NFPA 70 (in the U.S.), or with the current CSC22.1 Canadian Electric Code (in Canada).



NOTE: There are three posts on the pressure switch. Make sure the wire harness is connected to the two outer posts. The center post is not used,

Installing the TouchSmart Controller



Do not connect 110-120 VAC to the gas control valve or wiring system of this fireplace.

- The included junction box is used to mount the TouchSmart controller (see page 36). Mount the junction box in an accessible location to allow the user to operate the fireplace.
- Route the CAT6 harness to the junction box. The harness is available in various lengths (25ft is supplied with the unit. 50, 100ft available). Route the wire through the junction box and attach it to the TouchSmart controller.

NOTE: Install 3" to 6" of slack in the harness wires to allow for switch/controller access and removal.

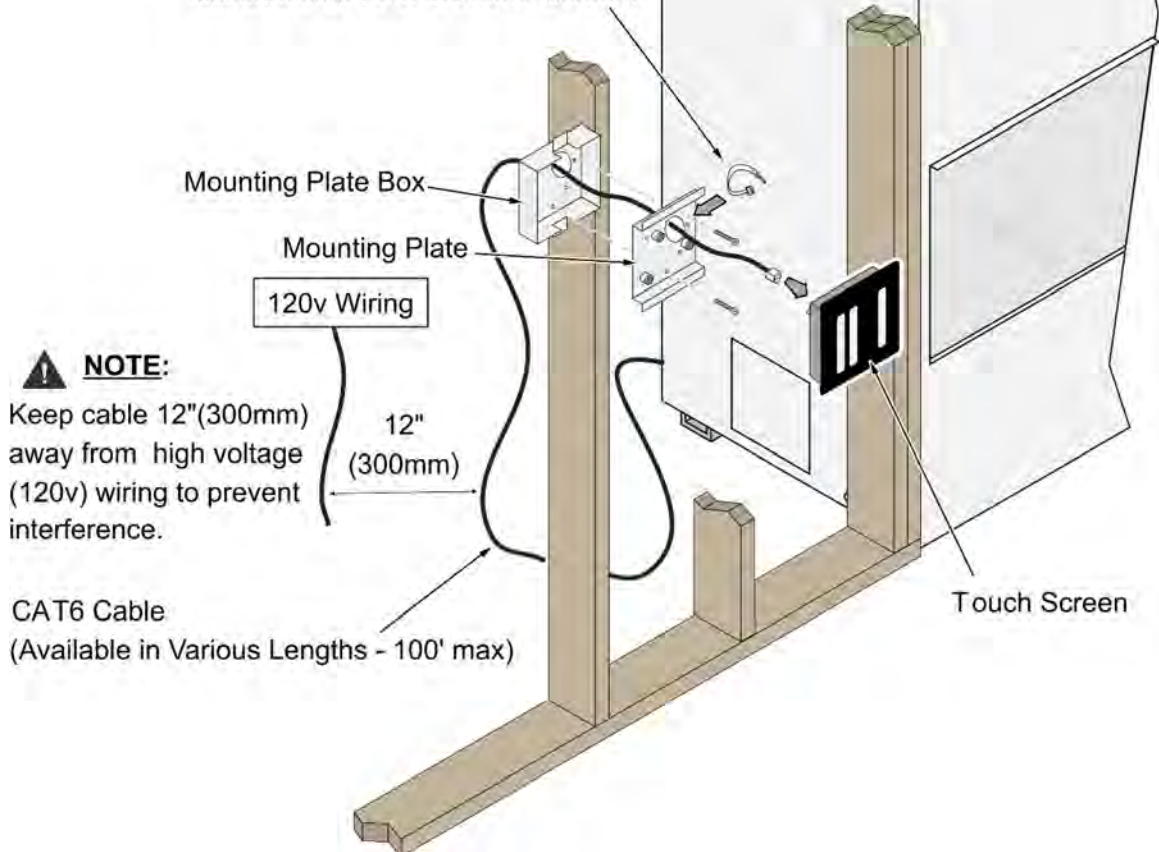


Keep the cable 12" (300mm) away from high voltage (120v) wiring to prevent interference.

- The TouchSmart controller is held in the junction box using (3) magnets.

Do not route the cable near 120v wiring, or the vent (hot surfaces).

Secure the CAT6 cable to the mounting plate with lock tie(s). This prevents the cable from falling into the wall cavity when the cable is disconnected from the touch screen.



NOTE:

Keep cable 12"(300mm) away from high voltage (120v) wiring to prevent interference.

CAT6 Cable
(Available in Various Lengths - 100' max)

CAUTION: Label all wires prior to disconnection when servicing controls. Wiring errors can cause improper and dangerous operation. Verify proper operation after servicing.

TouchSmart Mounting Box

There are two options for mounting the TouchSmart box that houses the controls for the fireplace. The retrofit box option is used when the wall is already finished with drywall, or the desired location is not close to a framing member. The second option (and most commonly used) is the New Install Box. This option is best used prior to drywall installation. The two options for the Mounting box installation are detailed below.

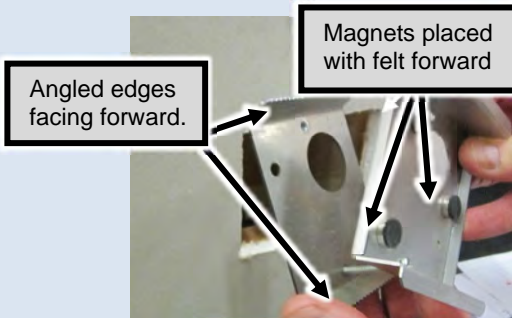
Identify an appropriate location for the control box. The location should have a clear path for the harness to be routed from the fireplace and be within reach of the length of the CAT6 cable ordered with the fireplace.

NOTE: Make sure to route the CAT6 cable to the Mounting Box and secure it with zip tie(s). If drywall installation or other construction will occur after the box installation, mask the Mounting Box to prevent debris from accumulating.

- Mounting Plate Hardware
 - TouchSmart Mounting Plate
 - Mounting Plate Box – New Const.
 - Mounting Plate Back Plate – Retrofit
- TouchSmart Hardware
 - (6) Lock Ties (for wiring)
 - (3) Round magnets with felt pads
 - (2) #8 Self-Drilling Screws
 - (2) 8-32 x 1-1/2" Screws (for Mtg Plate)

Retrofit Box Installation

- Determine a location between studs.
- Cut a 4" W x 3-5/8" H hole in the drywall.
- Attach the three magnets with felt pads to the TouchSmart Mounting Plate as seen in the picture below.
- Loosely attach the Mounting Back Plate to the Touch Screen Mounting Plate using one of the included 8-32 X 1-1/2" screws (make the large holes in the Mounting Plate and box line up). The angled edges of the Back Plate should face forward.



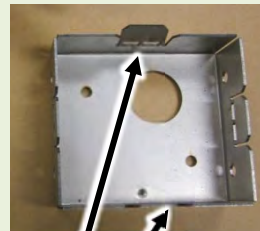
- Insert the Backing Plate into the hole in the drywall. Make sure that the large hole is in the upper right-hand corner.



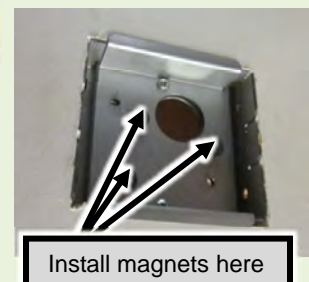
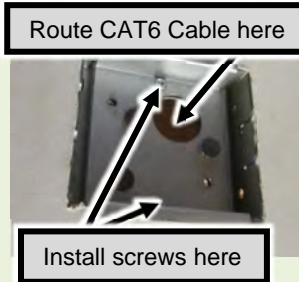
- Install the second screw through the Mounting Plate into the Backing Plate. Tighten both screws until the Mounting Plate is secure against the drywall.

New Install Box Installation

- Bend the tabs outward on the New Install Mounting Box (use 2 or 3 tabs, depending upon mounting position). Attach the box to the framing (either from the side or bottom). Make sure that the large hole is in the upper right-hand corner and the tabs of the box are flush with the framing.



- The drywall must be installed prior to continuing to step 3 below. When installed, the drywall will require a 4" W x 3-5/8" H square hole for the mounting box.
- Attach the three magnets with felt pads to the Mounting Plate as shown below. Attach the Mounting Plate to the box with the two screws (make the large holes in the Mounting Plate and box line up). The Mounting Plate will fit flush against the drywall.



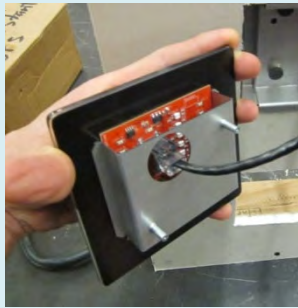
- Route the wire harness through the large hole in the back of the mounting plate.

NOTE: We recommend that you connect the wire harness to the TouchSmart Mounting Plate using zip ties to ensure it does not fall into the wall cavity.



- Attach the CAT6 wire harness port to the back of the TouchSmart controller and gently push the controller into the box. Push additional cable back through the hole in the Mounting Plate as you insert the back of the TouchSmart controller into the mounting plate. The pins on the back of the controller align it to the box. The magnets hold it in place.

NOTE: Do Not install the TouchSmart controller until sheetrock installation and finish have been completed. After the wall is finished, remove any protective covering on the end of the CAT6 cable and insert the cable end into the connector on the back of the TouchSmart controller.



Vent Requirements

- The gas appliance and vent system must be vented directly to the outside of the building, and never be attached to a chimney serving a separate solid fuel or gas-burning appliance. Each direct vent gas appliance must use its own separate vent system.
- In addition to the requirements listed here, follow the requirements provided with the vent.
- A wall thimble is required whenever the vent penetrates a wall (sku# 250-05641). A thimble or firestop (1" clearance) is required when passing through a floor or ceiling (passes through framing members).
- Always use the high-wind termination (if available from the vent manufacturer).

Drafting Performance

This direct vent appliance requires natural draft to operate (similar to a wood stove or other heating appliance). Draft can be adjusted using the included restrictor. The restrictor settings detailed in the manual should be followed (variations may occur depending on installation parameters).

Many factors may negatively influence the draft of the appliance. Travis Industries will not be responsible for improper draft due to factors such as trees, hills, buildings, obstructions, excessive wind, extreme hot or cold outdoor temperatures, restrictive vent terminations, or influence from mechanical systems.

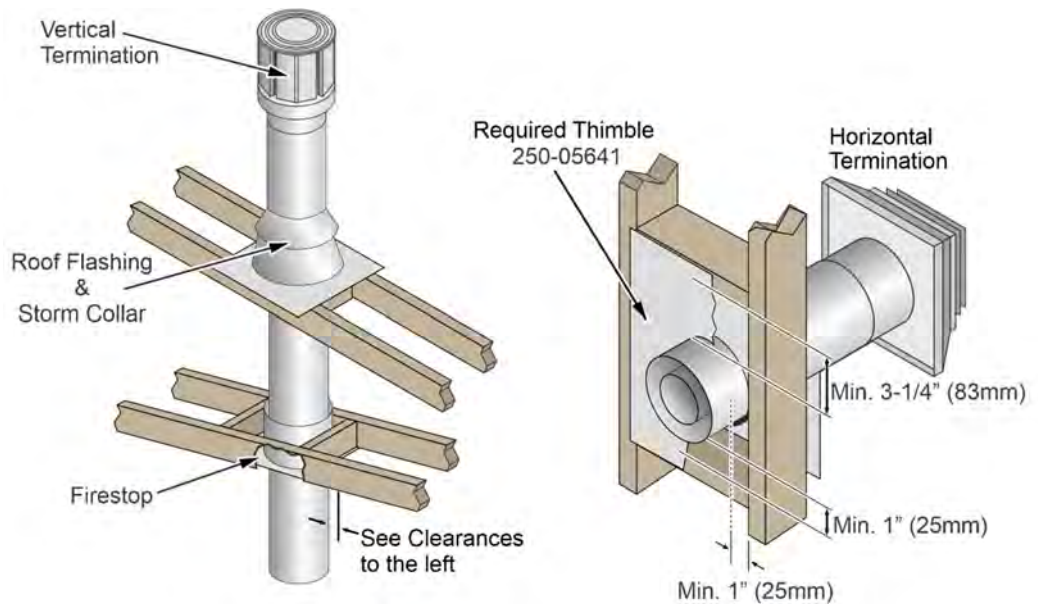
Vent Clearances

The vent must maintain the required clearance to combustible materials to prevent a fire. Do not fill air spaces with insulation.

Sides	1" (25mm)
Above	3-1/4" (83mm)
Below Horizontal or 45° Section	1" (25mm)

Vent Firestop

A firestop or thimble is required whenever the vent penetrates a wall, floor, or ceiling (passes through framing members).

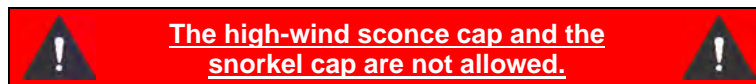


Altitude Considerations

- This heater has been tested at altitudes ranging from sea level to 6,000 feet (1800 M). In this testing, we have found that the heater, with its standard orifice, burns correctly with just an air shutter adjustment.
- Failure to adjust the air shutter properly may lead to improper combustion which can create a safety hazard. Consult your dealer or installer if you suspect an improperly adjusted air shutter.

Approved Vent

- Always use the high-wind cap.



- Installation instructions for Simpson Dura-Vent may be found at www.duravent.com. Use 8" diameter Simpson Dura-Vent Model Direct-Vent Pro (or GS)*.

* Other vent may be approved with this fireplace. Check with the vent manufacturer for details).

Vent Installation

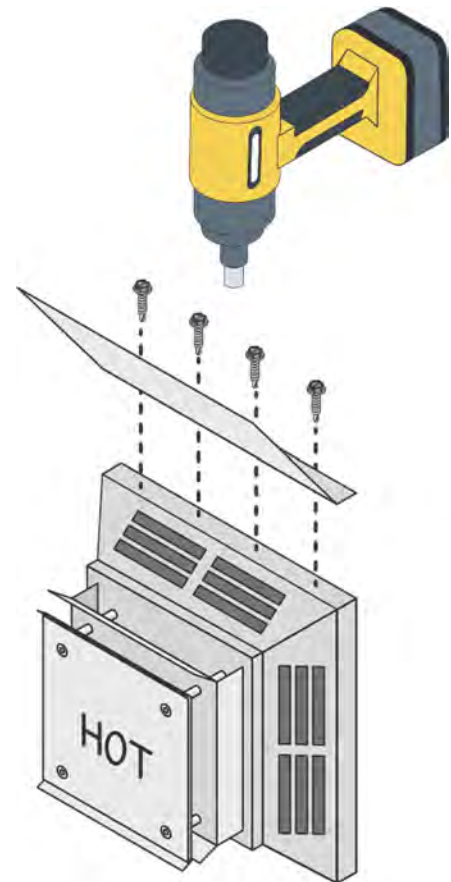
- Slide the vent sections together and turn 1/4 turn until the sections lock in place.
- Screws are not required to secure the vent. However, three screws may be used to secure vent sections together if desired.
- If disassembly is required, at the time of re-assembly check to see if the vent creates a tight fit. If it does not, apply high temperature sealant to the joints of the affected sections.
- Horizontal sections require a 1/4" (6mm) rise every 12" (305mm) of travel.
- Horizontal sections require non-combustible support every three feet (e.g.: plumbing strap).
- Vent termination must not be located where it can become plugged by snow or other material.
- Use the vinyl siding standoff when installing on a structure with vinyl siding.
- Venting termination shall not be recessed into a wall or siding.

Horizontal Termination Exhaust Shield



The shield is shipped with the fireplace loose and is installed as shown to the right.

Attach the horizontal termination shield to the top of the horizontal termination as shown below (use the (4) included self-drilling screws). Note how the screws are installed from the top down.



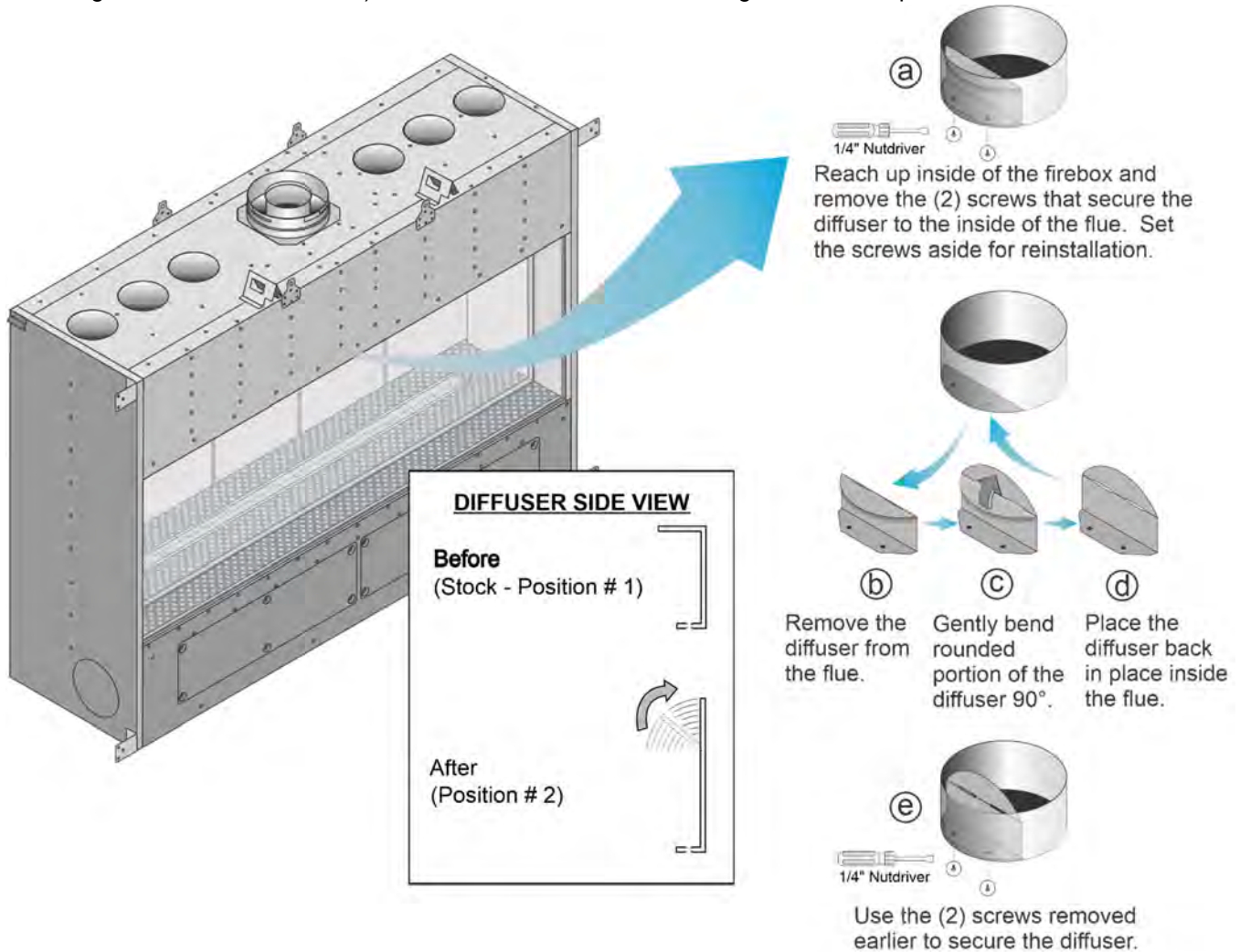
Approved Vent Configurations

Restrictor Position

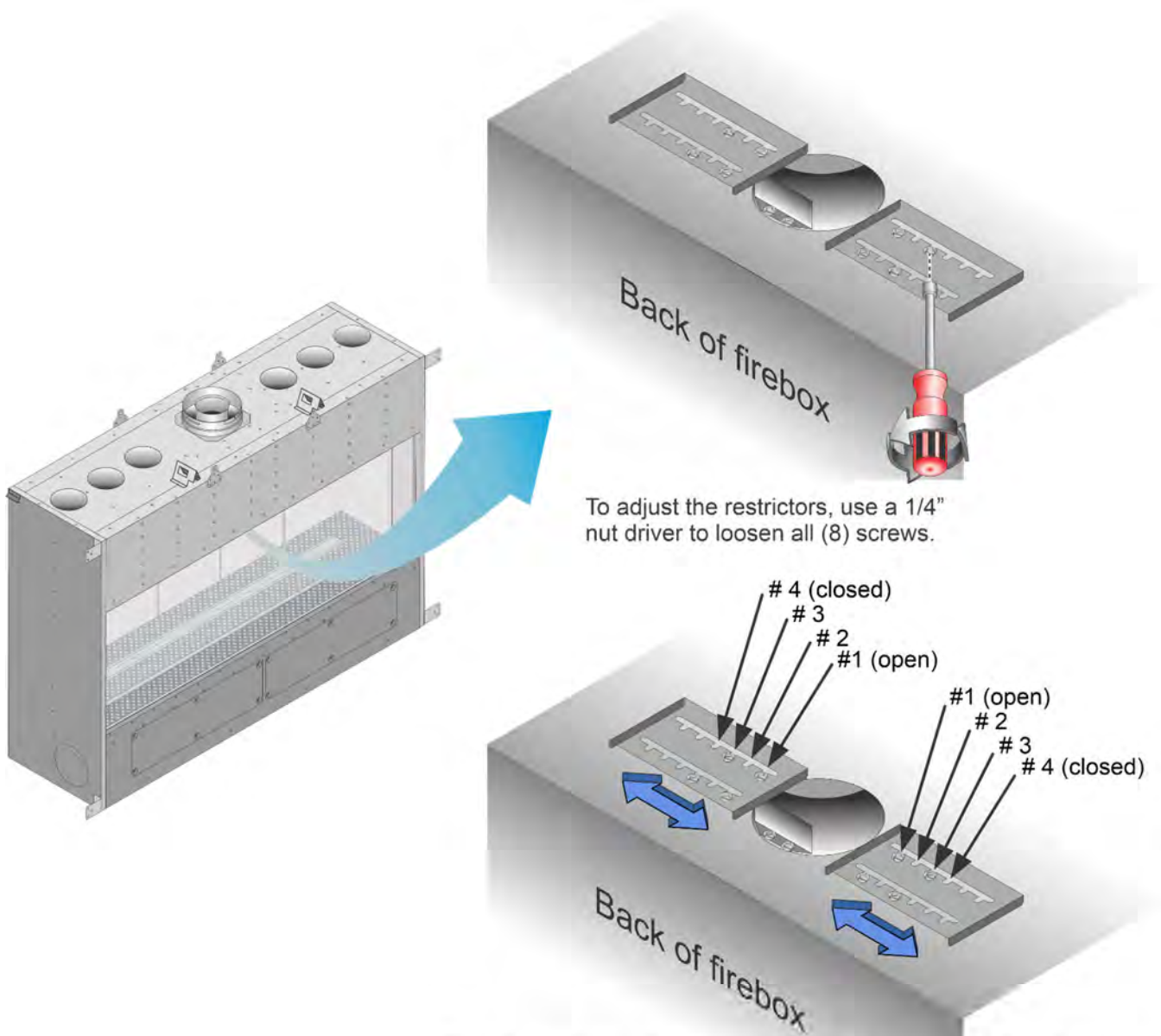
- Exhaust restrictors are built into the appliance to adjust the flow rate of intake air and exhaust gases. Depending upon the vent configuration, you may be required to adjust the restrictor positions. The charts for vent configurations detail the correct vent restrictor positions.

Diffuser Plate Adjustment

Certain vent configurations require the diffuser plate to be adjusted (refer to the approved vent configuration charts for details). See the directions below to change the diffuser position.



Exhaust Restrictors



To adjust the restrictors, use a 1/4" nut driver to loosen all (8) screws.

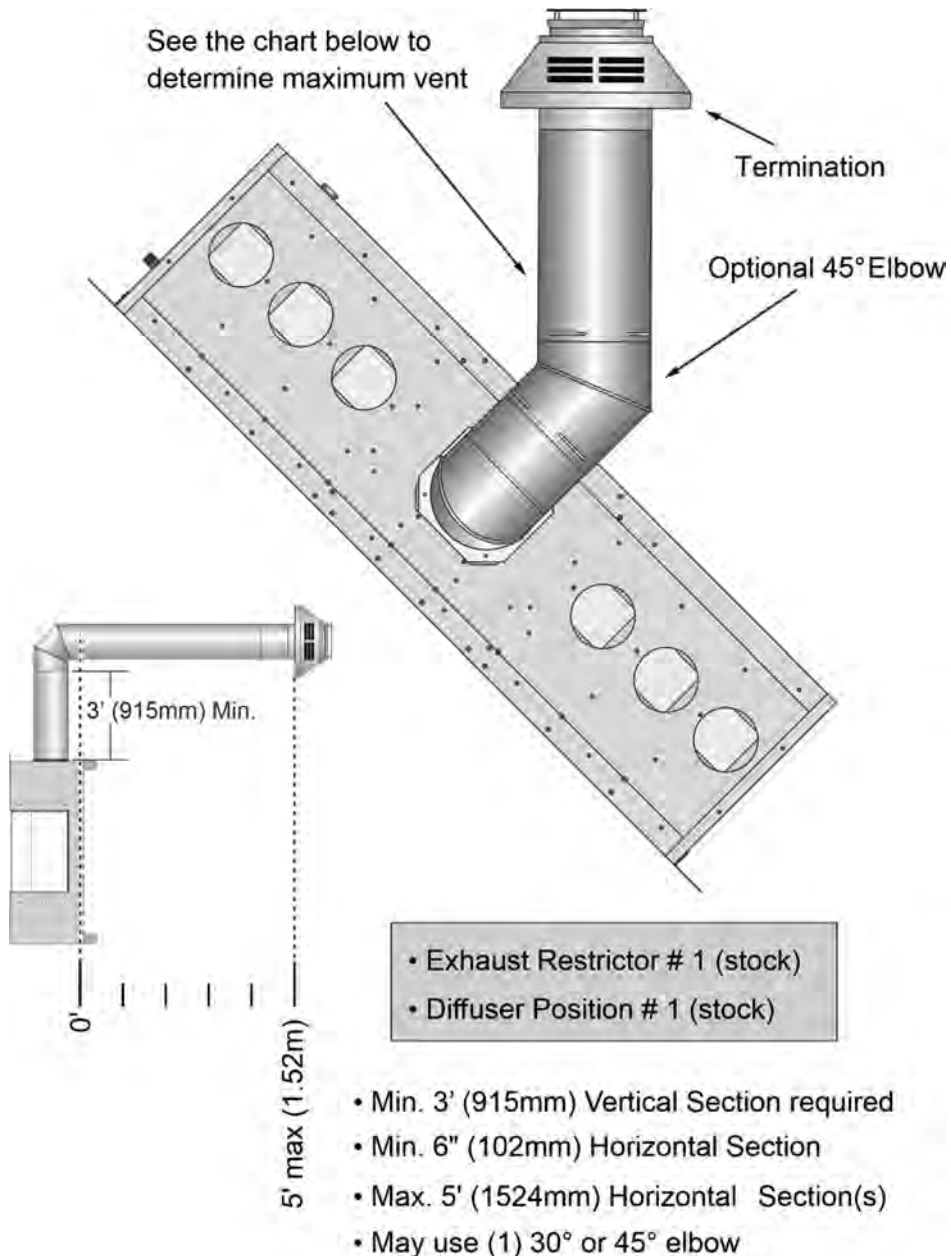
Slide the restrictors to the correct position (see illustration above). The screws closest to the flue opening indicate the restrictor position.

NOTE: Both restrictors should be set to the same position.

When the restrictors are in the correct position, tighten the (8) screws to secure the restrictors.

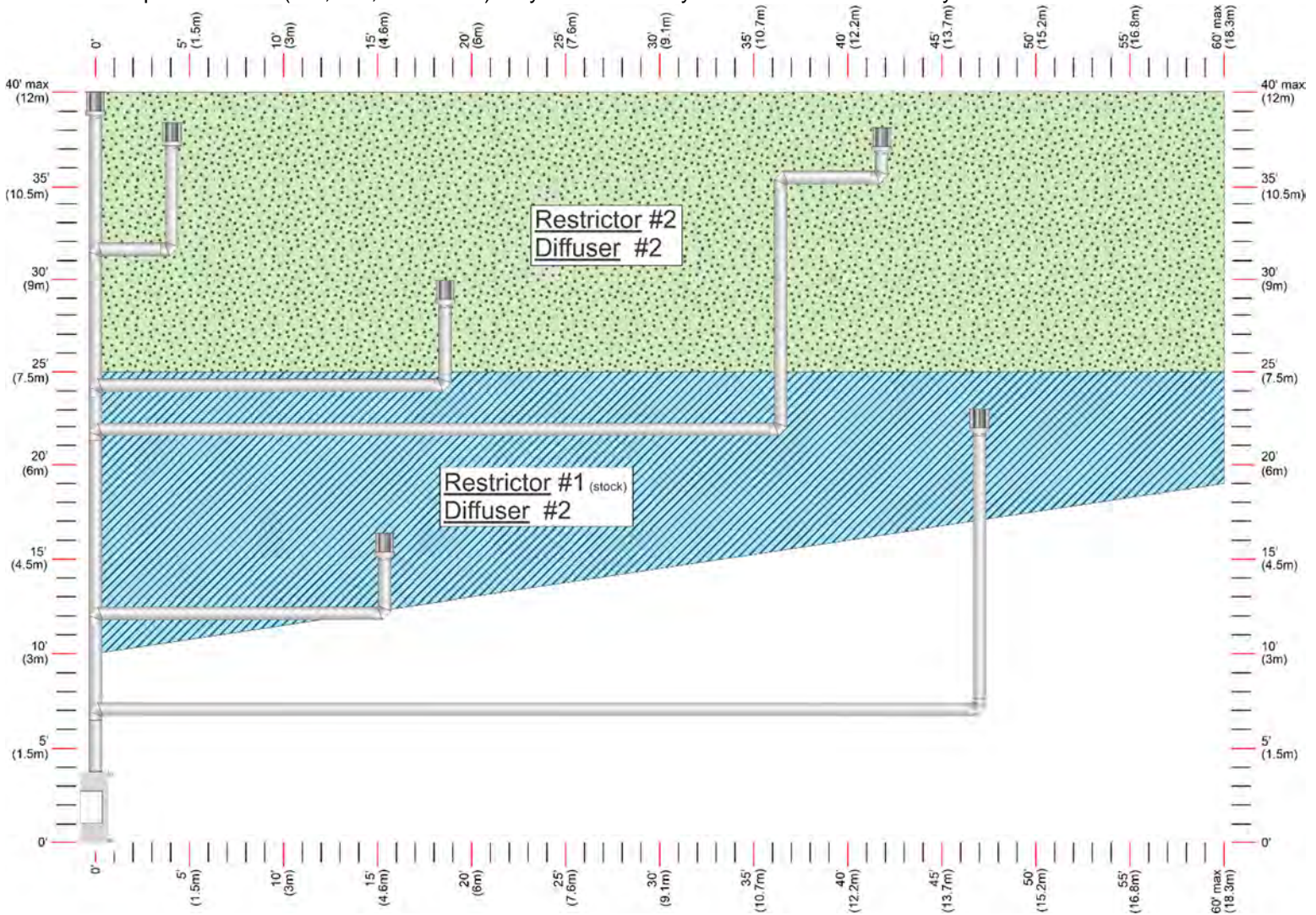
Minimum Vent Configuration

- **Use 5x8" Diameter Coaxial Vent**
- **NOTE:** Install the horizontal termination exhaust shield on the termination (see page 39).
- The termination must fall within the shaded area shown in the chart. Use the indicated restrictor positions.
- One elbow (30° or 45°) may be used on the horizontal run.

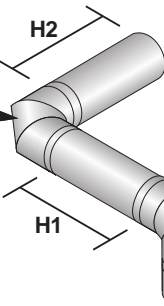


Vertical Termination Vent Chart

- **Use 5x8" Diameter Coaxial Vent.**
- The termination must fall within the shaded area shown in the chart. Use the indicated restrictor and diffuser positions.
- Up to 4 elbows (30°, 45°, 60° or 90°) may be used. Only one horizontal elbow may be used.



This is considered a horizontal elbow (it doesn't matter whether it turns right or left). It may be a 30°, 45°, 60°, or 90° elbow.



Horizontal length is calculated by adding both lengths of horizontal run (Horizontal Length = H1 + H2).

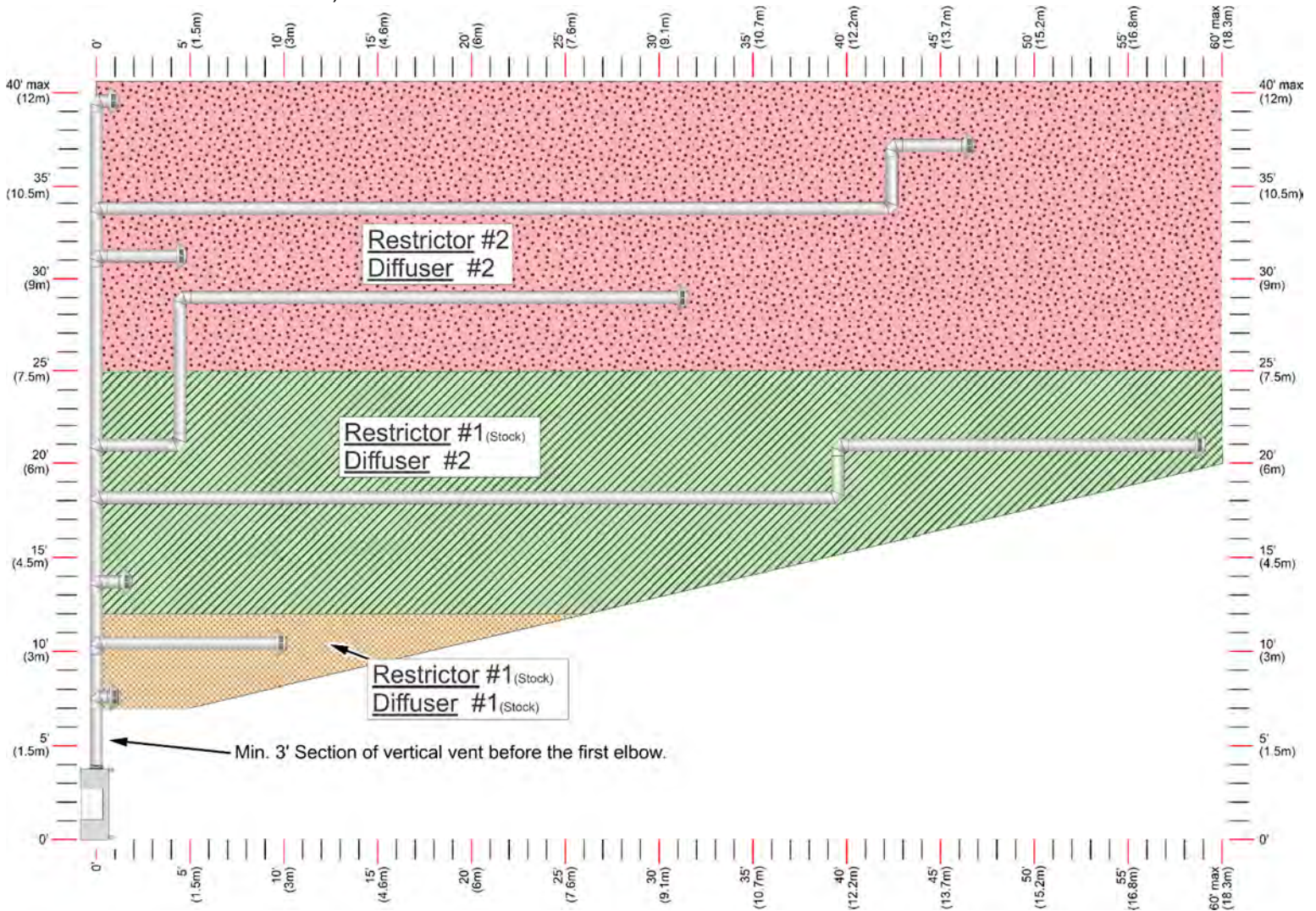
This is considered a vertical elbow.

Horizontal Termination Vent Chart

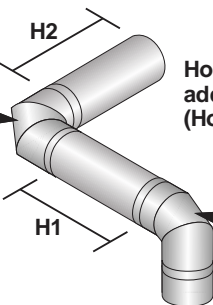
- Use 5x8" Diameter Coaxial Vent.

NOTE: Install the horizontal termination exhaust shield on the termination (see page 39).

- The termination must fall within the shaded area shown in the chart. Use the indicated restrictor and diffuser positions.
- **ELBOWS:**
 - (1) 90° Elbow Is Required (from vertical section to horizontal section).
 - 7' to 12' total system height = 1 additional elbow (30°, 45°, 60° or 90°) may be used (for a total of 2 elbows).
 - 13' or greater total system height = 2 additional elbows (30°, 45°, 60° or 90°) may be used (for a total of 4 elbows).



This is considered a horizontal elbow (it doesn't matter whether it turns right or left). It may be a 30°, 45°, 60°, or 90° elbow.

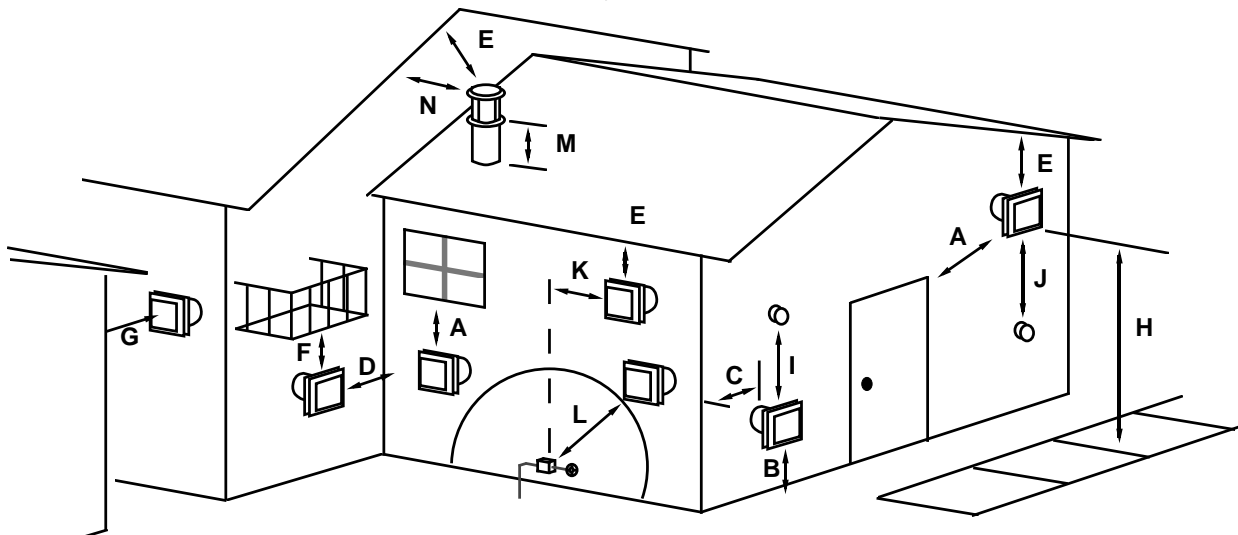
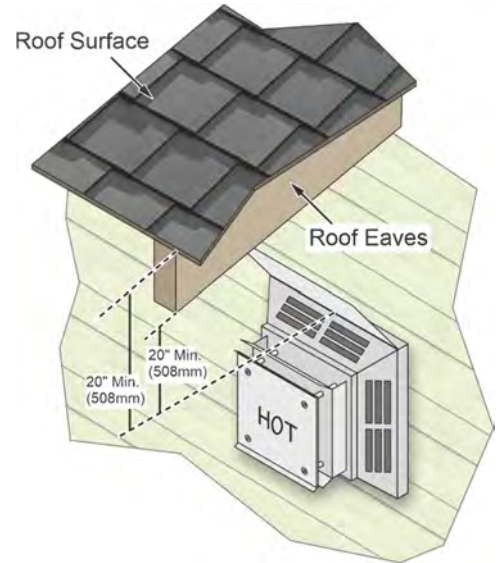


Horizontal length is calculated by adding both lengths of horizontal run (Horizontal Length = H1 + H2).

This is considered a vertical elbow.

Termination Requirements

- ! Venting terminals shall not be recessed into a wall or siding.
 - ! Vertical terminations require the high wind cap(58DVA-VCH)
 - ! Horizontal terminations require the high wind cap (58DVA-HC) and the horizontal termination shield (included with the fireplace)
- A Minimum 9" (229mm) clearance from any operable door or window
 - B Minimum 12" (305mm) above any grade, veranda, porch, deck, or balcony
 - C Minimum 1" (25mm) from outside corner walls
NOTE: Clearance in accordance with local installation codes and the requirements of the gas supplier.
 - D Minimum 8" (203mm) from inside corner walls
NOTE: Clearance in accordance with local installation codes and the requirements of the gas supplier.
 - E Minimum 20" (508mm) clearance below unventilated soffits or roof surface:
Minimum 30" (762mm) clearance below ventilated soffits
Minimum 20" (508mm) clearance below roof eaves
NOTE: Vinyl surfaces require 30" (762mm)
NOTE: Clearance in accordance with local installation codes and the requirements of the gas supplier.
 - F Minimum 12" (305mm) clearance below a veranda, porch, deck, or balcony
NOTE: Permitted only if veranda, porch, deck, or balcony is fully open on a minimum of two sides beneath the floor.
NOTE: Clearance in accordance with local installation codes and the requirements of the gas supplier.
 - G Minimum 48" (1219mm) clearance from any adjacent building
 - H Minimum 84" (2134mm) clearance above any grade when adjacent to public walkways or driveways
NOTE: may not be used over a walkway or driveway shared by an adjacent building
 - I Minimum 9" (229mm) clearance to any non-mechanical air supply inlet to the building or the combustion air inlet to any other appliance.
 - J Minimum 36" (914mm) clearance above any mechanical air supply inlet if within 10' (3M) horizontally
 - K Minimum 36" (914mm) from the area above the meter/regulator (vent outlet) - this extends 15' (4.5M) above the regulator
NOTE: Clearance in accordance with local installation codes and the requirements of the gas supplier.
 - L Minimum 36" (914mm) from the meter/regulator (vent outlet)
NOTE: Clearance in accordance with local installation codes and the requirements of the gas supplier.
 - M Minimum 12" (305mm) above the roof line (for vertical terminations)
 - N Minimum 24" (610mm) horizontal clearance to any surface (such as an exterior wall) – for vertical terminations



NOTE: Measure clearances to the nearest edge of the exhaust hood.

Facing Requirements

**WARNING**

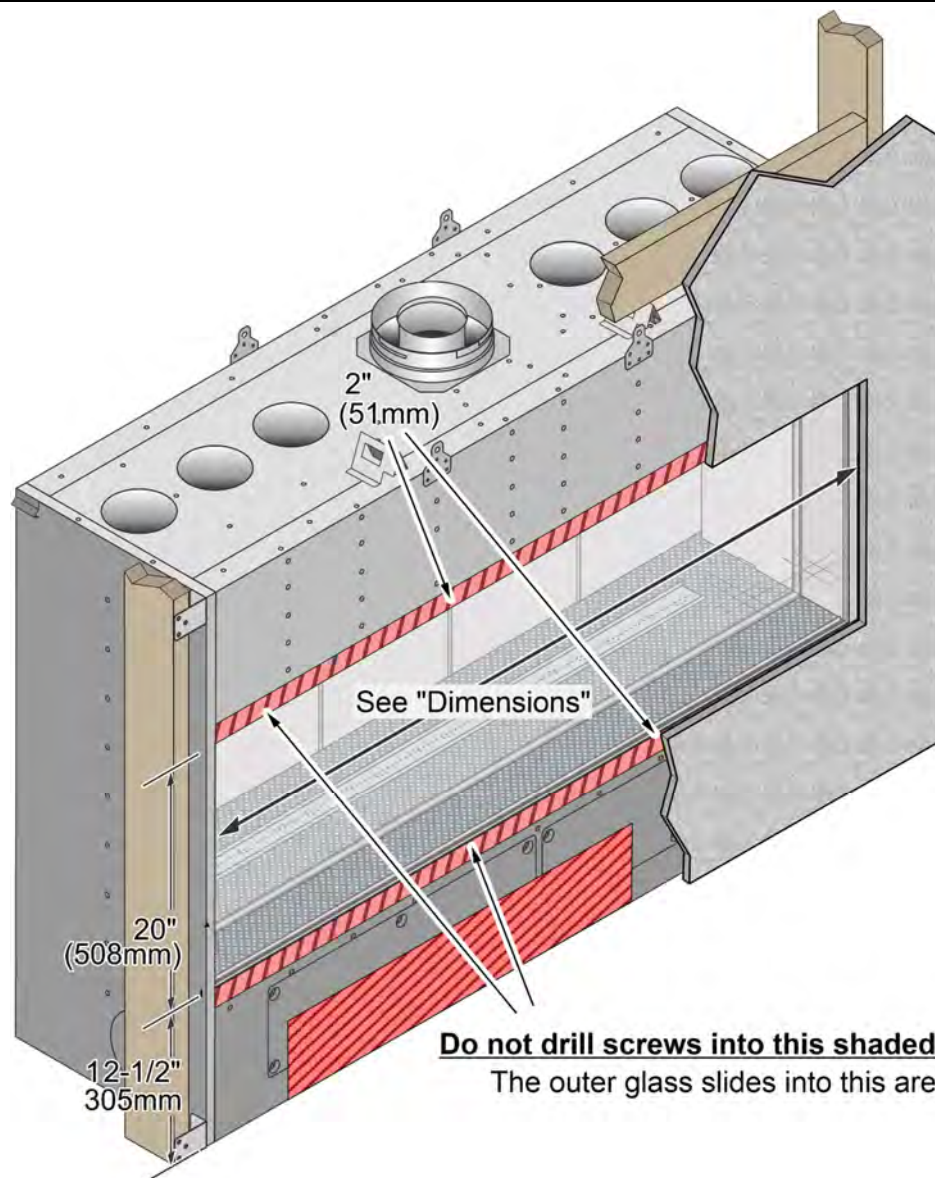
Make sure not to cover the ventilated chase or CoolSmart openings with any sheeting or finish material

- Drywall, tile, or other facing (combustible or non-combustible) may be placed directly on the face of the fireplace.
- Facing may be placed along the perimeter of the glass opening but must not extend over it. This area must remain open to allow for glass removal and installation.
- The fireplace must not be used to support the facing. Heavy facing must be self-supporting.



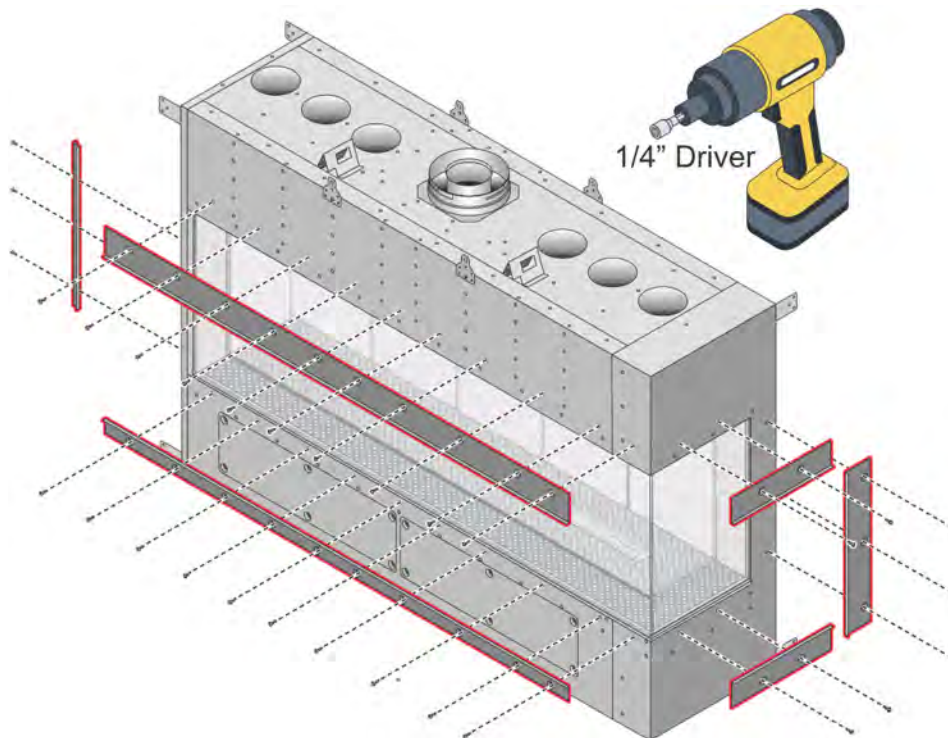
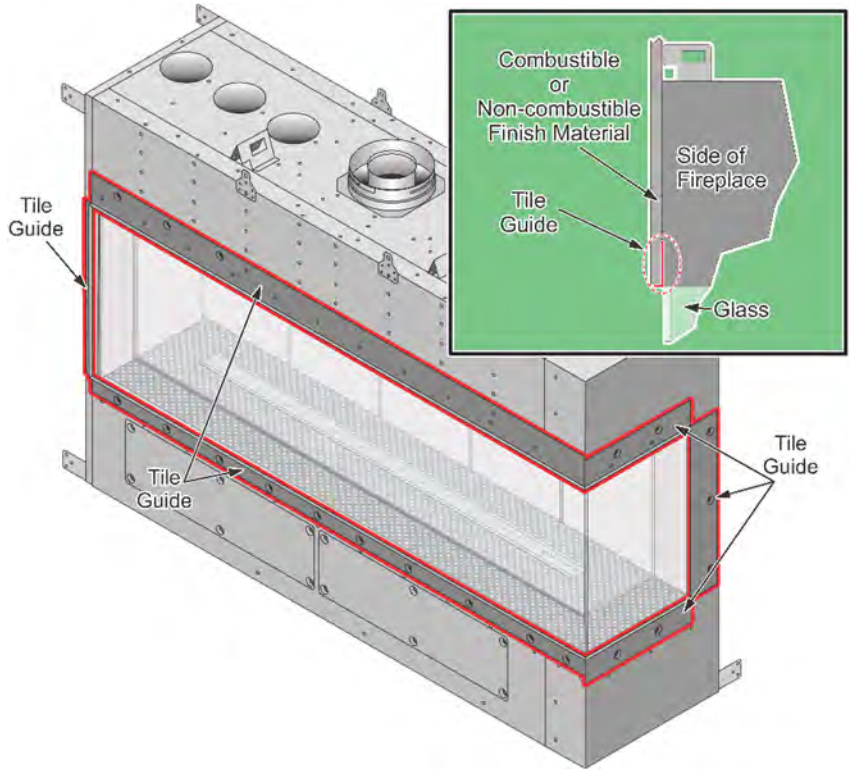
WARNING: Do not use adhesive to secure the facing. The high temperatures of the fireplace may cause adhesives to emit odors. Use mastic or thin set (or other non-combustible, non-odorous adherent) to attach the facing.

NOTE: Screws may be used to secure cement board or tile backer to the fireplace. Do not penetrate the fireplace more than 1/2" (13mm).



Tile Guide Details

The fireplace comes from the factory with tile guides pre-attached. The tile guides provide a 1/2" (13mm) edge along the fireplace opening that helps ensure that finish material does not encroach into the opening, making it difficult or impossible to install the glass on the fireplace. The tile guides may be removed but make sure not to allow finish material to extend beyond the outer edges of the fireplace opening.

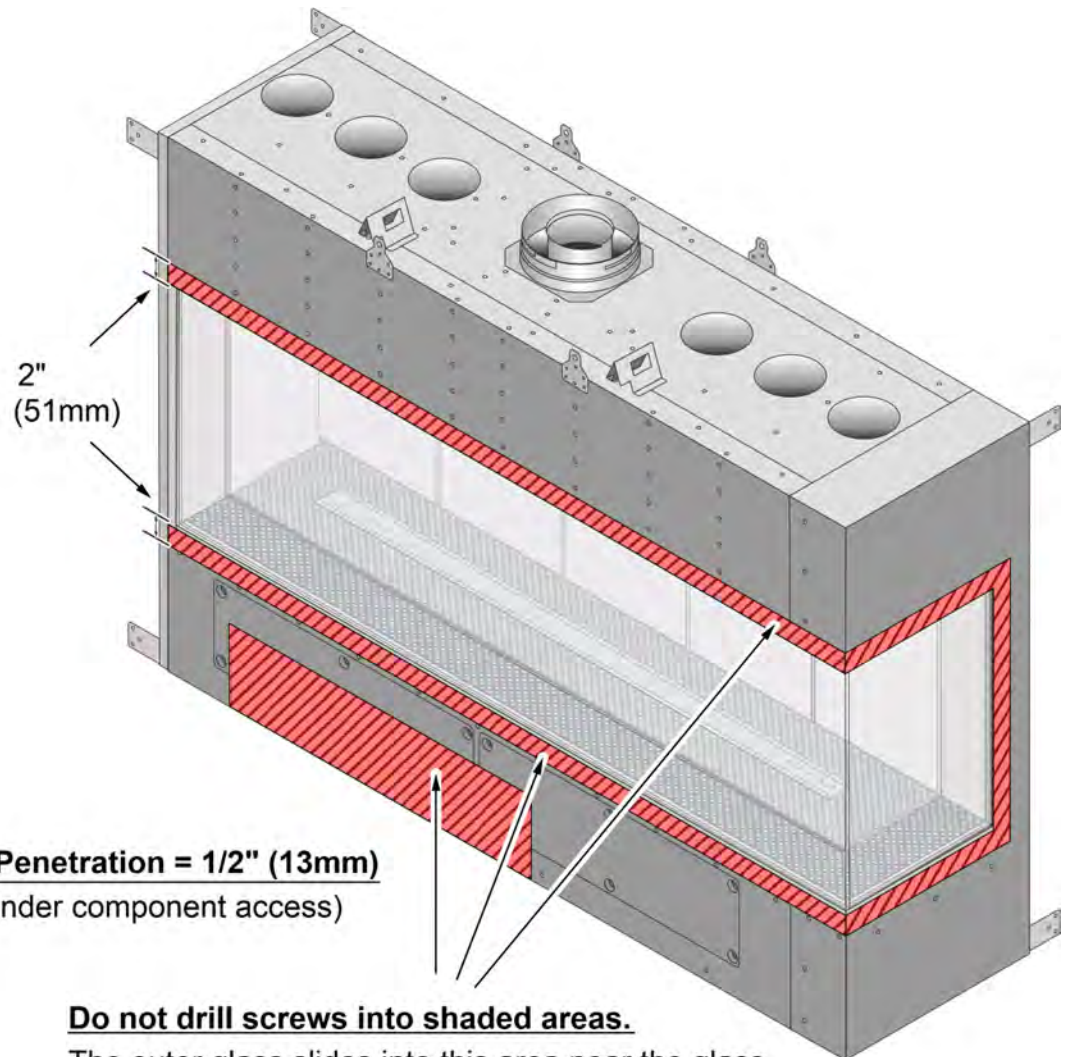


To remove the tile guides, use a 1/4" driver to remove the screws that secure the tile guides to the fireplace can. The guides can be discarded.

NOTE: Make sure to replace all screws after the tile guides have been removed.

Do Not Drill or Screw Zone





When using screws to secure drywall to the fireplace, make sure to avoid the area shown below. Make sure screws penetrate no more than 1/2" (13mm) into the fireplace.

**Mantel Requirements**

- A mantel (combustible or non-combustible) may be installed above the fireplace. Make sure it does not overlap the glass opening.
- The maximum mantel depth is 12" (305mm).

Glass Pane Installation and Removal

This fireplace uses a dual layer of glass to provide air to the fireplace and keep the exterior cool. The glass panes are packaged separately and do not use a steel glass frame.

-  **The appliance must be completely cool before removing the glass.**
-  **Do not strike or slam the glass.**
-  **Warning: Do not operate the appliance with the glass removed, cracked, or broken. Replacement of the glass should be done by a licensed or qualified service person.**
-  **Use only glass provided by Travis Industries for this appliance. Do not use substitute glass.**

Suction Cups

NOTE: Suction cups are required for glass installation and removal. These are available from Travis Industries (sku# 94400914).


When to Install the Glass Panes

- (a) The glass is typically installed after all other steps have been completed. This helps ensure the glass is kept clean and away from potential damage.
- (b) The fireplace should be in location and attached to power, gas, vent, and intake.
- (c) Install the firebacks.
- (d) Install the inner glass and test-start the fireplace. This is done to verify appliance operation only. Do not let the appliance burn for more than 5 minutes.
- (e) Remove the front inner glass.
- (f) Install the crushed glass over the burner and inner media trays.
- (g) Replace the front inner glass. **NOTE: Clean the glass after removing the suction cups.**
- (h) On corner or bay models, install the side outer glass panes.
- (i) If crushed glass is being used in the intake air channel, install it at this time.
- (j) Install the remaining outer glass panes. **NOTE: Clean the glass after removing the suction cups.**

Overview of Glass Panes

Type of Fireplace	# of Glass Panes
1-Sided	2
Full Bay *	6
Left or Right Corner *	4

* The inner firebox side glass will be factory-installed for Bay and Corner units. The glass crate will have (4) panes for the Bay and (3) for a Corner. Take care not to damage the silicone gaskets on these pieces of glass when installing the inner front glass.



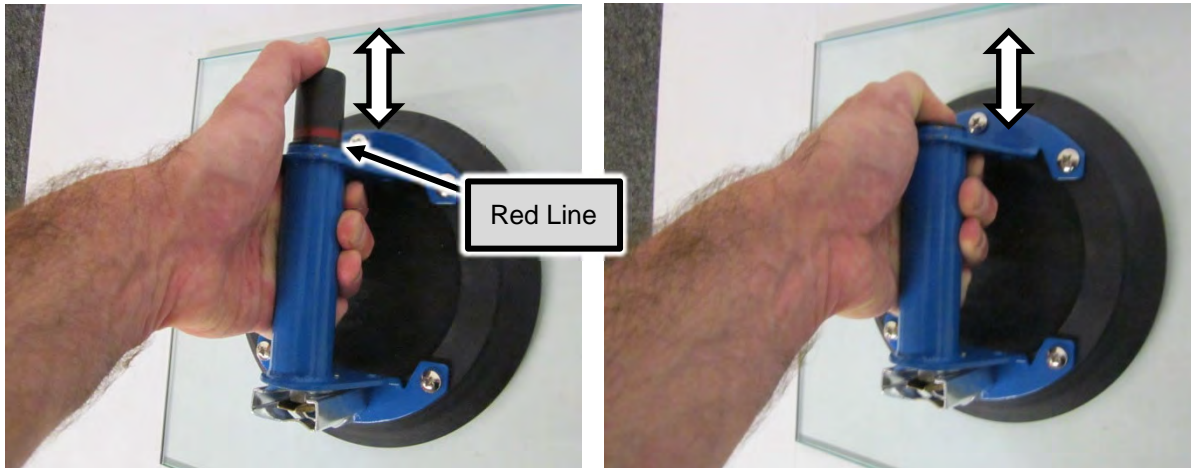
Check for the DaVinci Logo Before Installing the Glass
 The outer piece of glass has a DaVinci logo. Make sure it is on the lower right and is facing outwards.

Attaching the Suction Cups to the Glass Panes

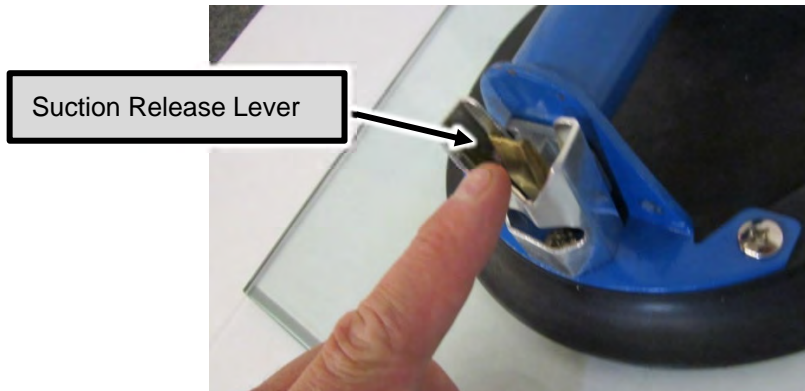
NOTE: Make sure the glass and suction cups are clean before attaching the suction cups. These surfaces must be clean and dry for the suction cups to work properly.

NOTE: The larger glass panes may require an additional helper. We recommend using 2 people with 4 suction cups when handling long glass panes.

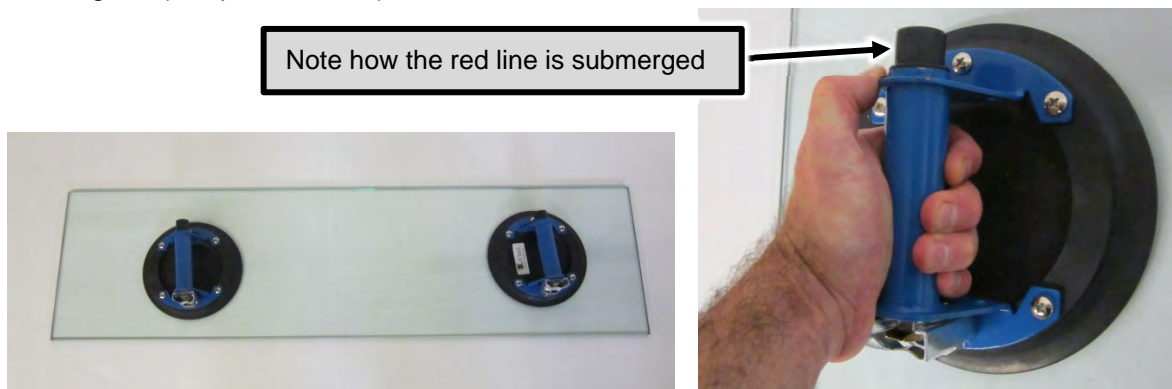
- (a) Place one suction cup onto the glass panel. Press the suction button repeatedly until the red line on the suction cup submerges into the handle. This indicates proper vacuum.



- (b) Repeat step "a" for the remaining suction cups. **NOTE:** The suction cups have a lever opposite the suction button. This lever releases the suction cup allowing it to disengage from the glass. **DO NOT PRESS THIS LEVER UNLESS YOU ARE RELEASING THE SUCTION CUP.**



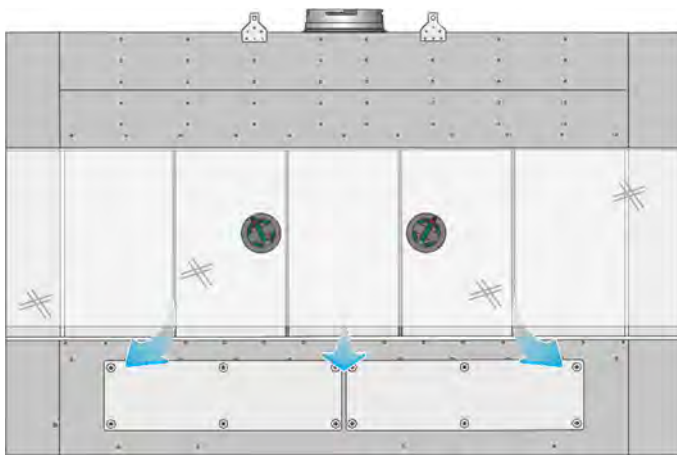
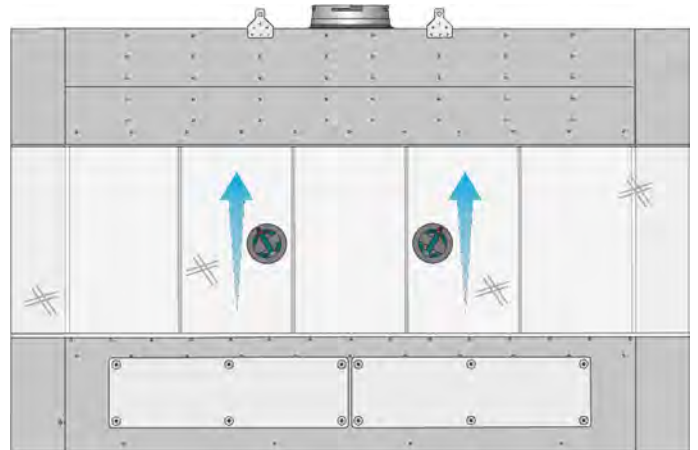
- (c) Verify the suction cups are properly aligned and that the red line is submerged before lifting the glass (see photos below).



- (d) Clean the glass after removing the suction cups or anytime it gets handled.

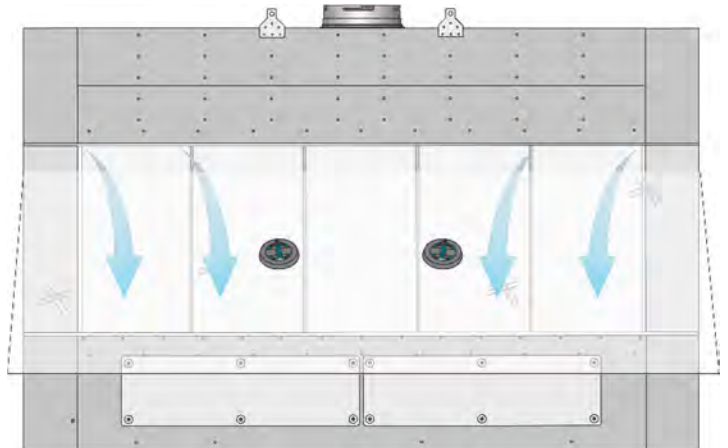
To remove the glass from the fireplace, follow the steps below:

- Lift the outer glass pane upward until the bottom of the glass is free of the glass track that it rests in.



- Tilt the bottom of the glass forward of the front edge of the fireplace.

- Lower the glass pane until the top edge is free of the fireplace



- If removing the inner glass, follow the same steps as above.
 - NOTE:** There is another set of fireback filler pieces between the outer and inner glass panes. Make sure to remove the inner fireback filler pieces and magnets before trying to remove the inner pane of glass.
- To reinstall the glass, follow the above steps in reverse.
- Clean the glass after removing the suction cups.

Steps for Finalizing the Installation

1. Remove the front-facing glass panels.
2. We recommend you purge the gas line at this time (with the glass removed). This allows gas to be detected once it enters the firebox, ensuring gas does not build up.
3. Install the required firebacks (see page 55).
4. Install the media (see page 65).
5. Replace the inner glass.

NOTE: Clean the glass after removing the suction cups

6. Start the heater.
7. Leak test all gas joints.
8. Set the air shutter positions (see page 53)
9. Adjust the flame to its highest position - the flames should not contact the top of the firebox. Check the flame on low position. The flames should burn off of each burner hole. If the heater does not work correctly, contact your Travis dealer for a remedy.
10. Replace the outer glass.

NOTE: Clean the glass after removing the suction cups

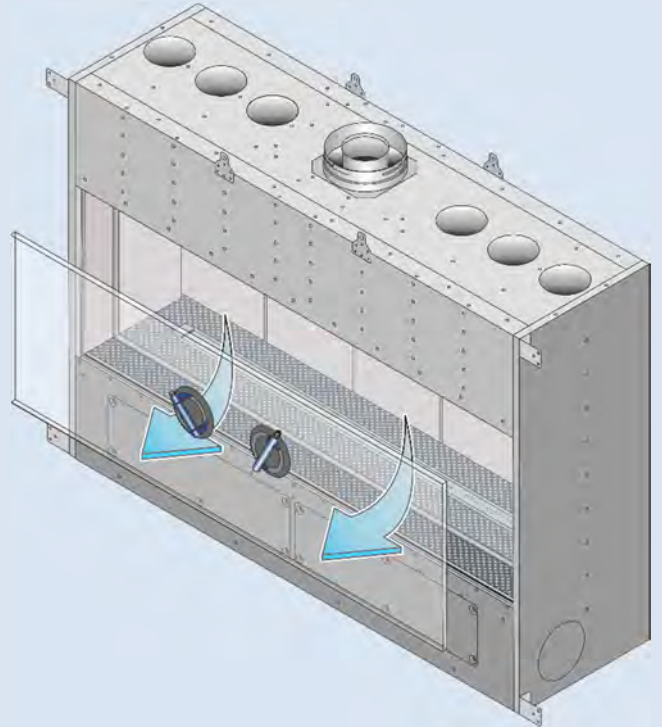
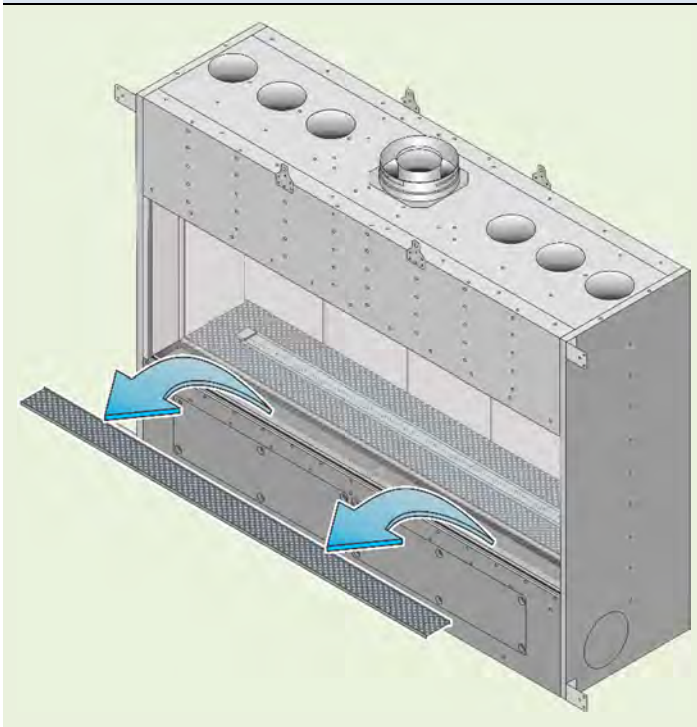
11. Give this manual to the homeowner for future reference and fully explain the operation of this heater. For comprehensive operating and maintenance instructions, refer to the Owner's Manual.

ACID WASH WARNING: Make sure any masonry that has been treated with acid wash has been properly neutralized (this is used primarily with brick faces). Acid wash (muriatic acid) is used to remove excess mortar.

Air Shutter Adjustment

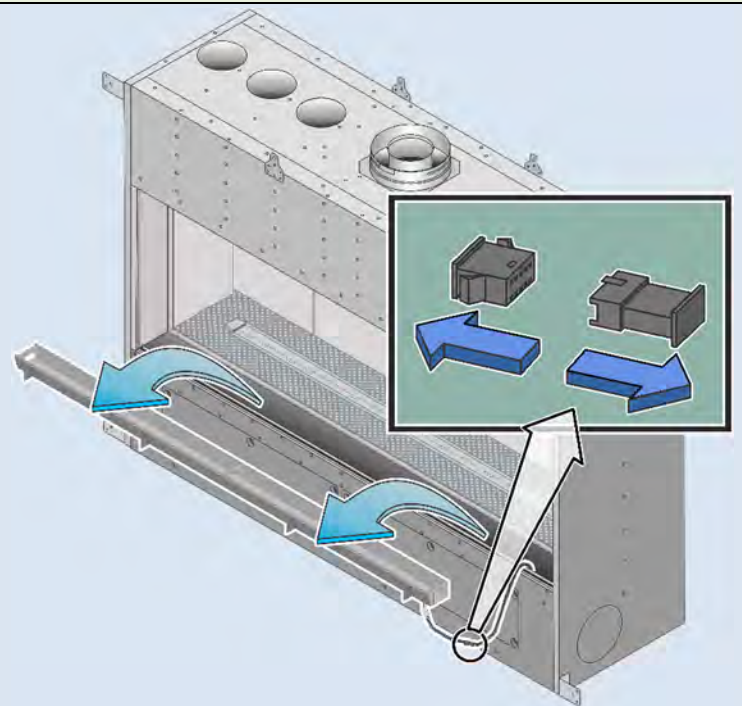
Let the heater burn for fifteen minutes (make sure the media and glass are in place). The flames should be yellow with no sooting. Adjust the air shutter, if necessary, to achieve the correct looking flame.

- Use the suction cup tools to remove the outer layer of glass (see the section “Glass Pane Installation and Removal” on page 49 for details). Set the glass on a soft surface out of the way.

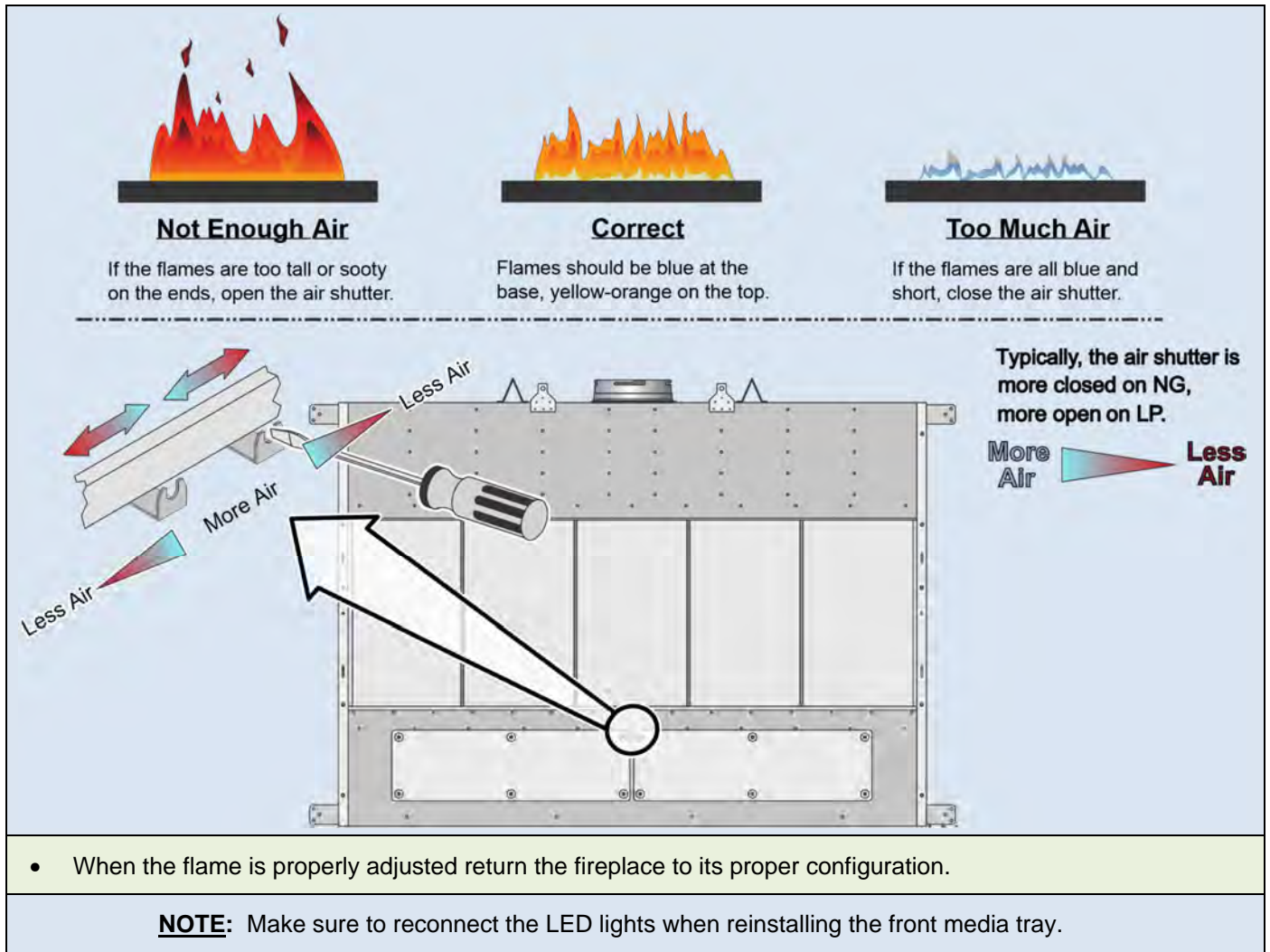


- Remove the outer media tray by lifting it upward. It is not secured with fasteners. Set the media tray aside for reinstallation.

- Remove the LED light tray by lifting it upward. It is not secured with fasteners. When the tray is free of the fireplace, disconnect the LEDs from the wiring harness as shown to the right. Set the LED light tray aside for reinstallation.

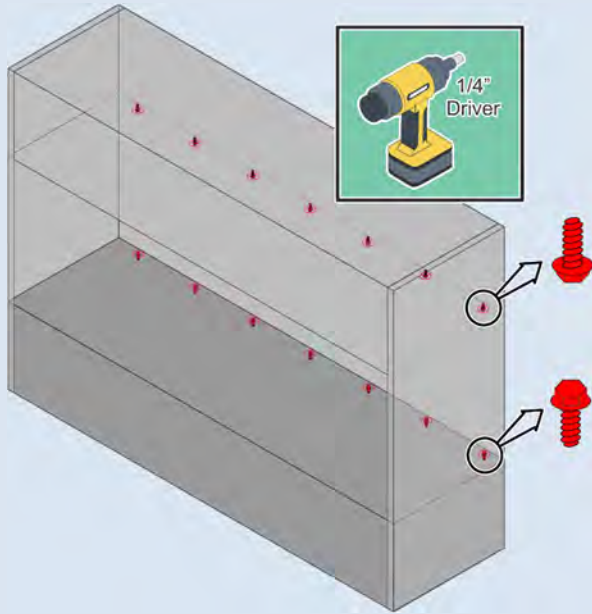


- Turn the fireplace on and let it burn for approximately 15 minutes. before proceeding with the next steps.

Air Shutter Adjustment – Continued

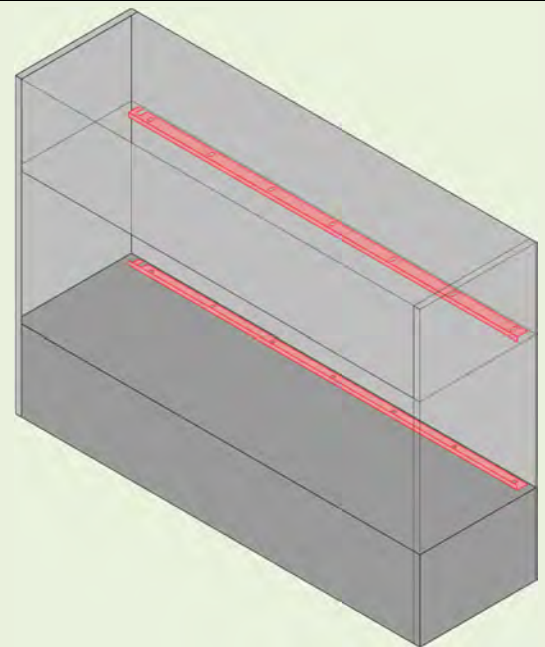
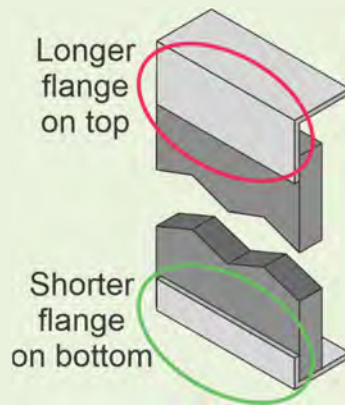
Fireback Installation

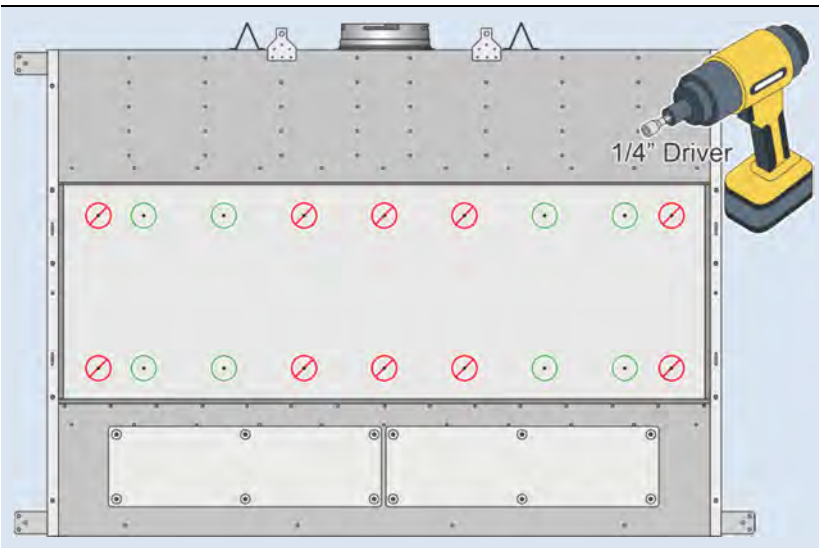
Black Glass Version



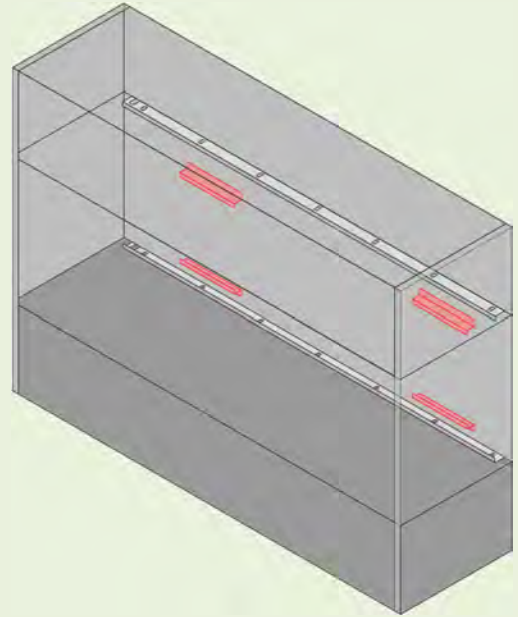
- Use a 1/4" driver to remove the (14) screws on the rear of the firebox **ceiling and floor** (see illustration).

- Install the upper and lower mounting brackets as shown to the right. Use the screws removed in the previous step to secure the brackets to the fireplace. The return on the bracket should point down on the top bracket and up on the bottom bracket. There is a notch on the left end of each bracket to accommodate the upper accent light wires on the back wall of the fireplace.

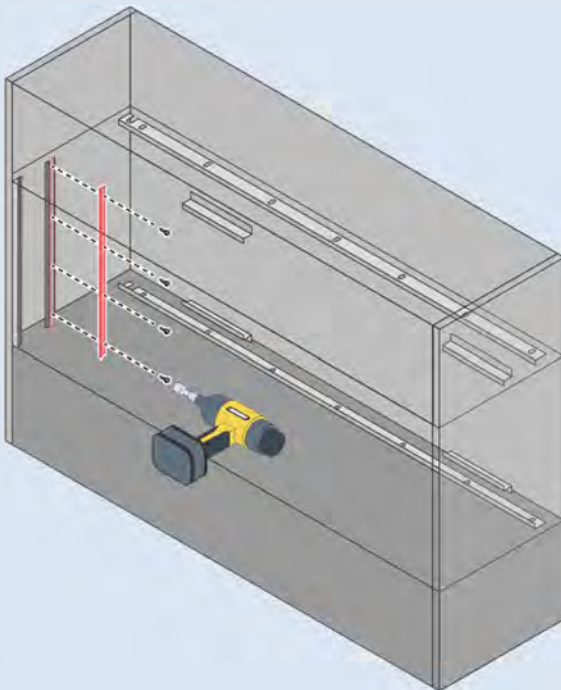




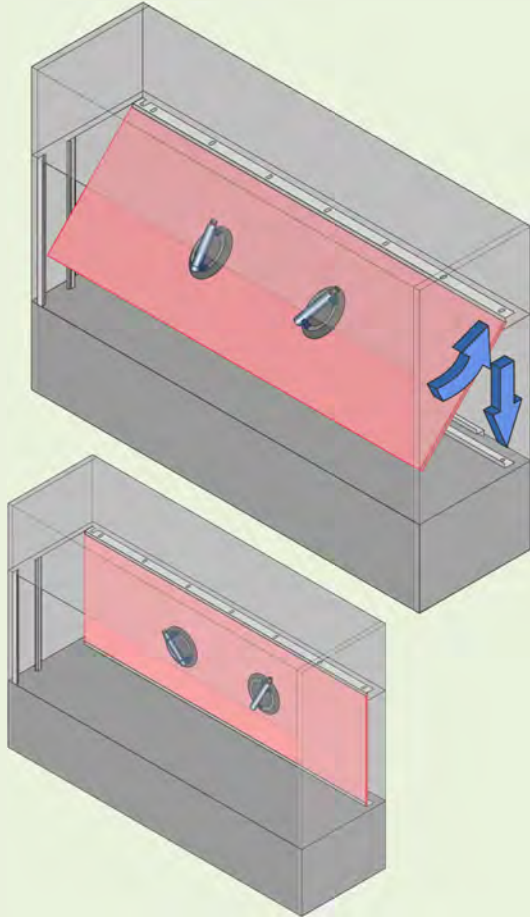
- Use a 1/4" driver to remove the (8) screws indicated with green circles on the back wall of the fireplace as illustrated to the left. Set the screws aside for reinstallation.



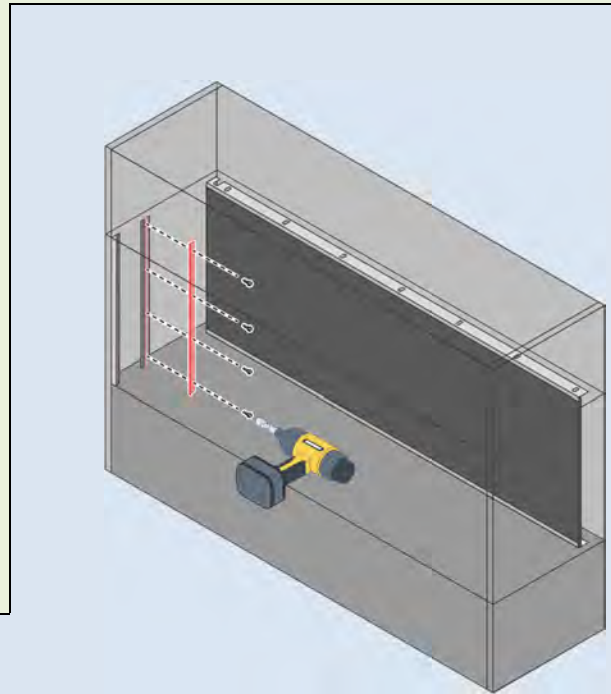
- Install the (4) fireback standoff brackets as shown to the right. Use the screws removed in the previous step to secure the brackets to the back wall of the fireplace.



- Use a 1/4" driver to remove the (4) screws that secure the inner glass support from each end of the firebox. These supports have silicone gaskets on the support surface; take care not to damage the gasket. Set the support and the screws aside for reinstallation.

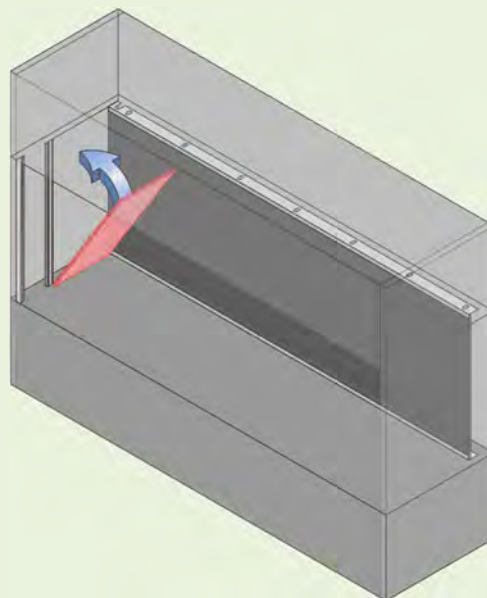


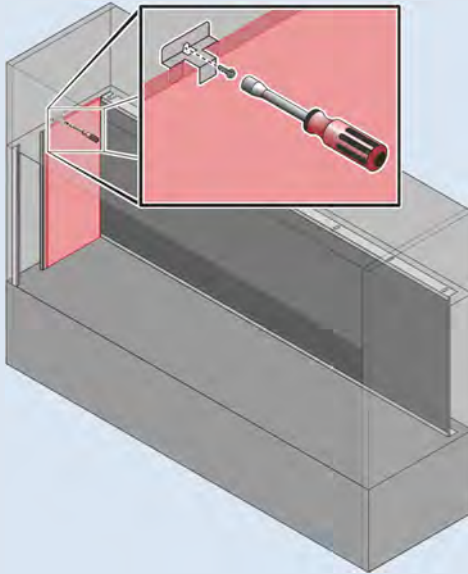
- Use glass suction cups to lift the rear fireback into place. Tilt the top of the fireback toward the rear of the fireplace. The top edge will rest behind the small return of the top mounting bracket. Insert the fireback bottom edge toward the rear of the firebox. When the bottom edge of the fireback clears the return edge of the lower bracket, lower the fireback until it rests on the lower bracket. Remove the suction cups from the fireback.



- Reinstall the inner glass supports removed in an earlier step.

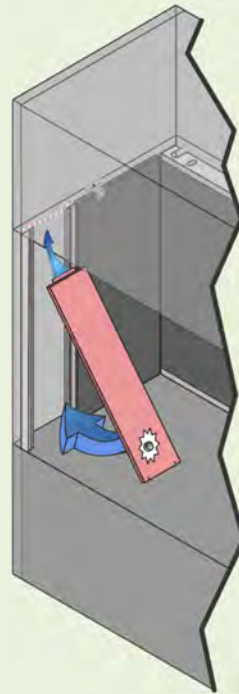
- If installing the firebacks into a single sided or corner fireplace, use a 1/4" driver to loosen the single screw on the upper portion of the sidewall. Install the bottom edge of the fireback up against the (2) tabs on the media tray and tilt the top of the fireback into place.



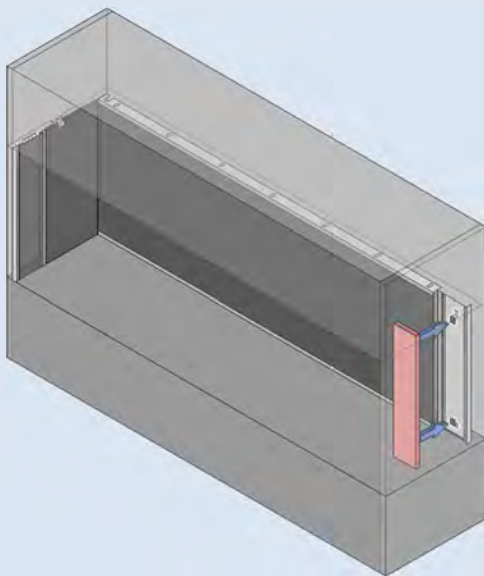
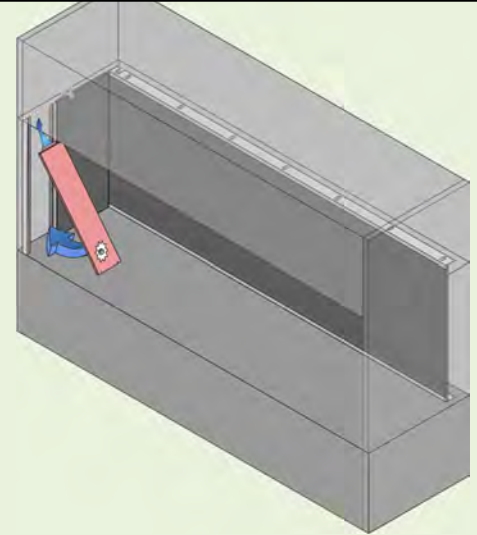


- Slide the side fireback retainer clip over the top edge of the fireback and secure it to the fireplace using the screw you loosened in the previous step.

- Install the front filler fireback as shown above. There is a tab on the top of the fireback that fits into a slot on the ceiling of the firebox. Tilt the fireback top toward the firebox side wall and insert the tab as shown. Slide the bottom of the fireback into place. There is a magnet attached to the lower portion of the fireback that will secure it to the side wall of the fireplace.



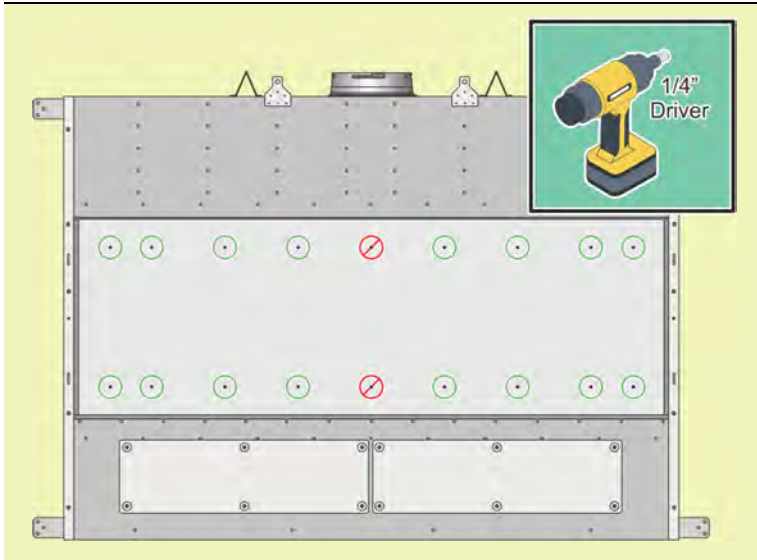
NOTE: Install the inner glass panel before installing the filler fireback. The fireback extends past the edge of the glass.



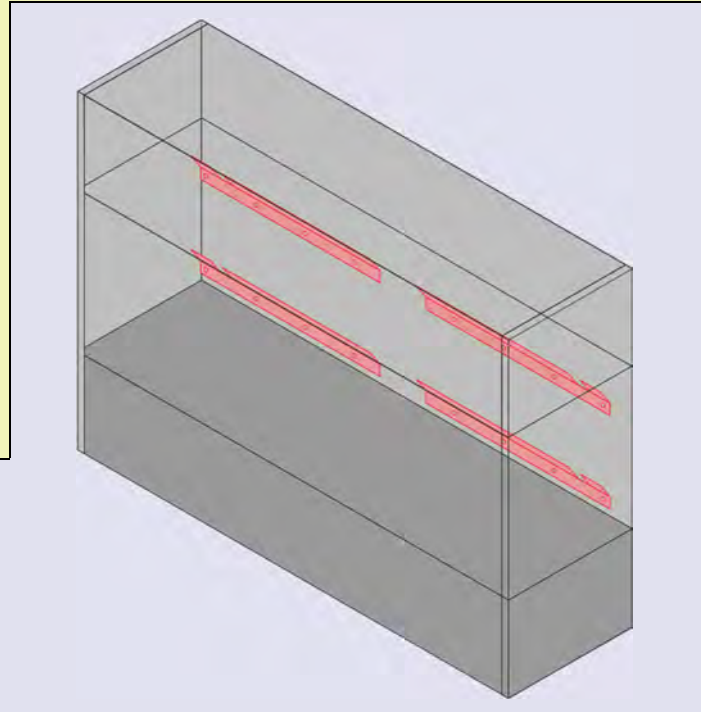
- If installing on a bay or corner fireplace, install the rear filler fireback as shown to the right. There are (2) brackets with magnets on the fireplace that hold the filler fireback in place.

Fireback Installation - Continued

Black Painted Version



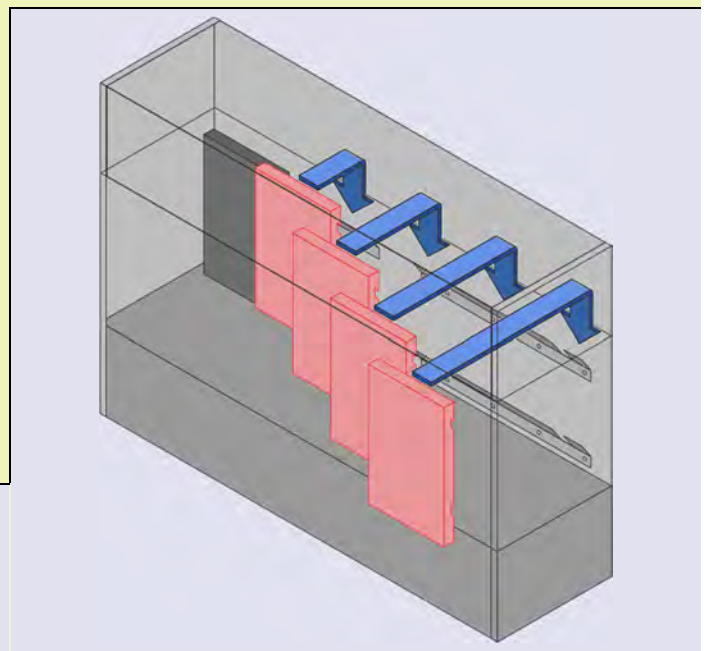
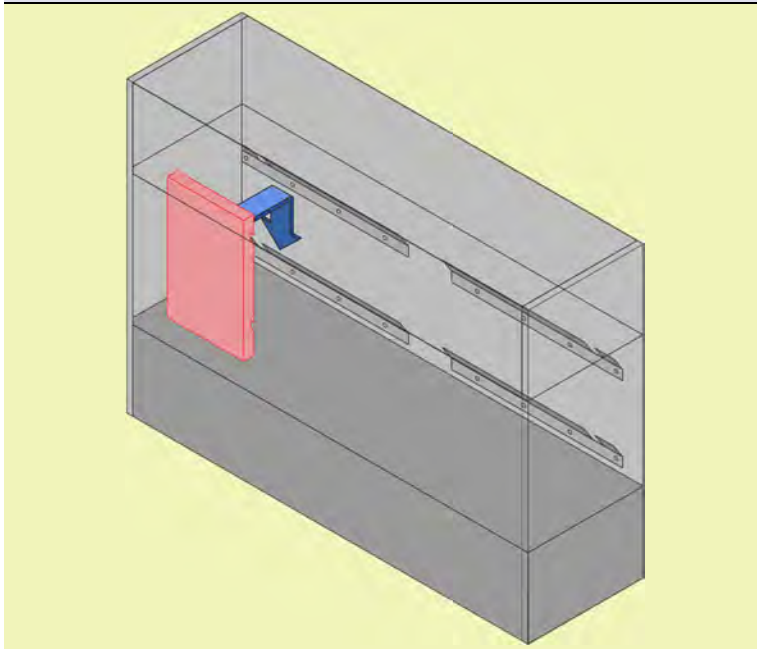
- Use a 1/4" driver to remove the (16) screws on the rear wall of the firebox (see illustration).



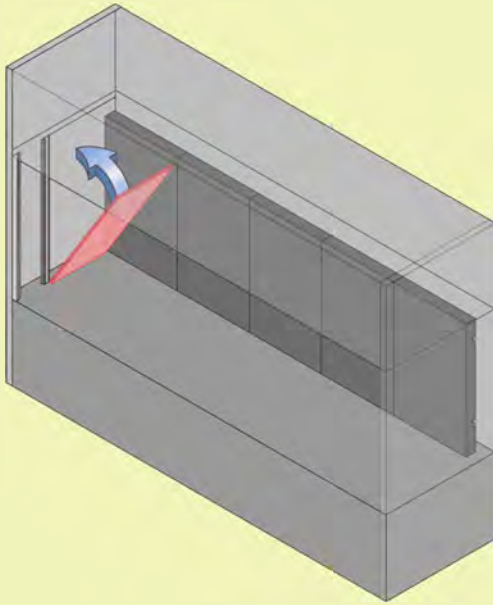
- Install the upper and lower mounting brackets as shown to the right. Use the screws removed in the previous step to secure the brackets to the fireplace.

NOTE: There is a notch on the end of each bracket. The notch should be to the outside. The notch allows the bracket to fit behind wires on the left of the rear wall of the firebox for the upper accent lights

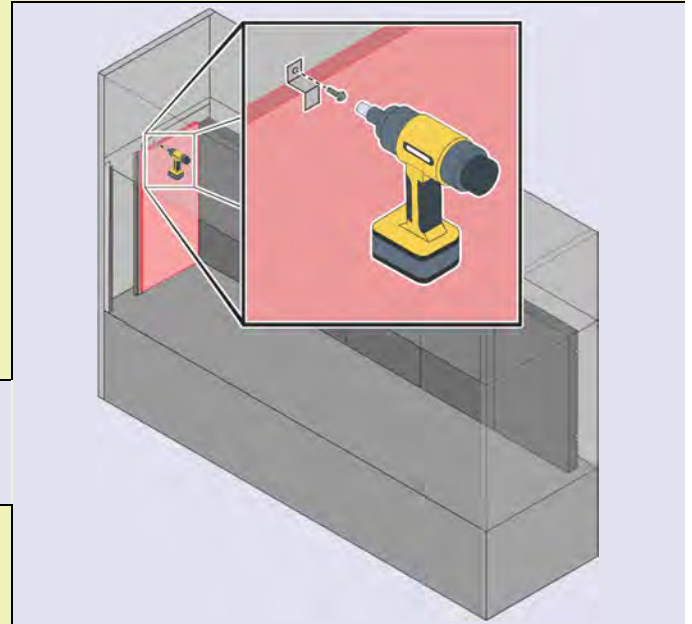
- Hang one of the (5) rear fireback sections on the support brackets installed in the previous step. Make sure that the notches on the fireback, top and bottom fit over their respective mounting bracket.



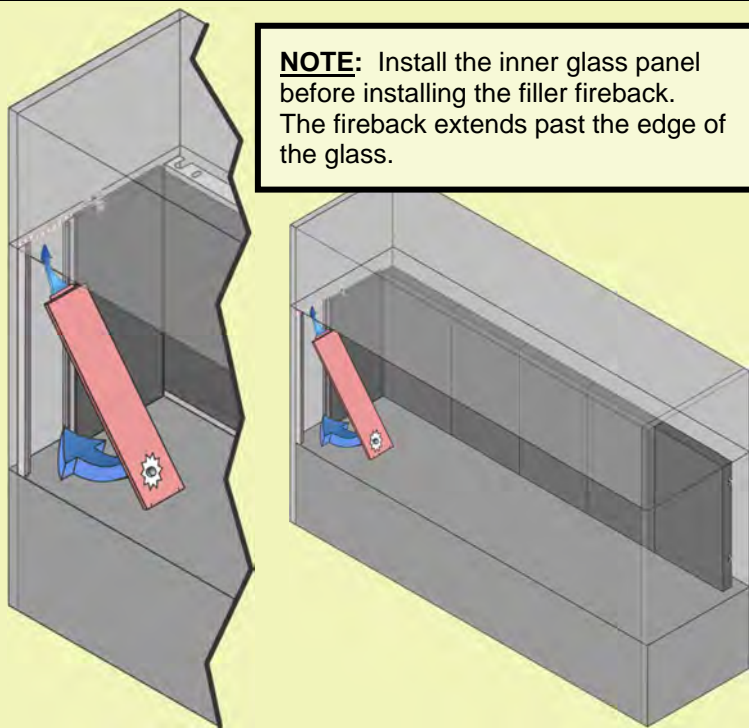
- Install the remaining (4) rear fireback sections in the same manner. Once all firebacks are installed, make sure they are equally spaced and fully seated.



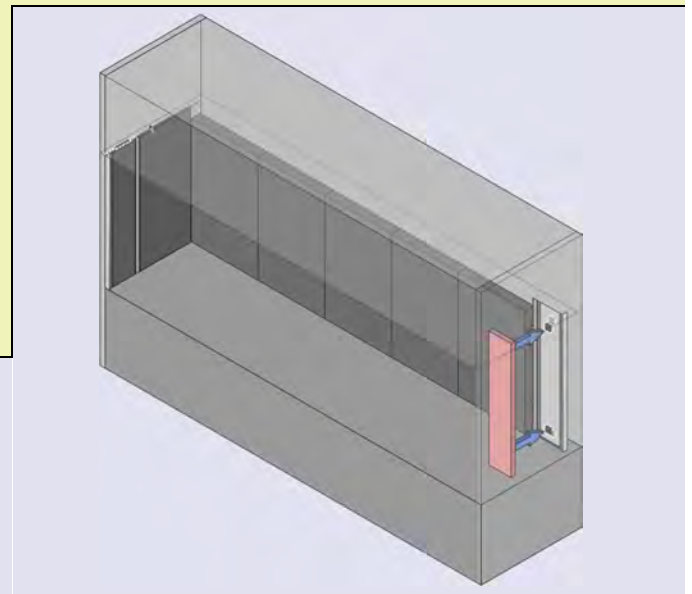
- If installing the firebacks into a single sided or corner fireplace, use a 1/4" driver to remove the single screw on the upper portion of the sidewall. Install the bottom edge of the fireback up against the (2) tabs on the media tray and tilt the top of the fireback into place.



- Capture the top of the fireback with the "Z" shaped retainer clip and secure it to the fireplace using the screw you removed in the previous step.



- Install the front filler fireback as shown to the left. There is a tab on the top of the fireback that fits into a slot on the ceiling of the firebox. Tilt the fireback top toward the firebox side wall, insert the tab into the slot as shown, and then slide the bottom of the fireback into place. A magnet is attached to the lower portion of the fireback that will secure it to the side wall of the fireplace.



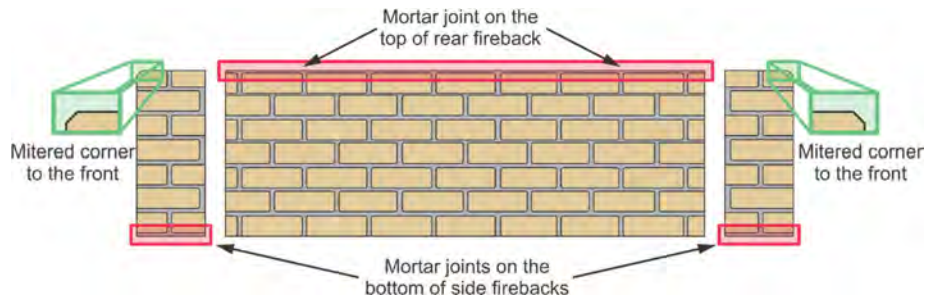
- If installing on a bay or corner fireplace, install the rear filler fireback as shown to the right. There are (2) brackets with magnets on the fireplace that hold the filler fireback in place.

Fireback Installation - Continued

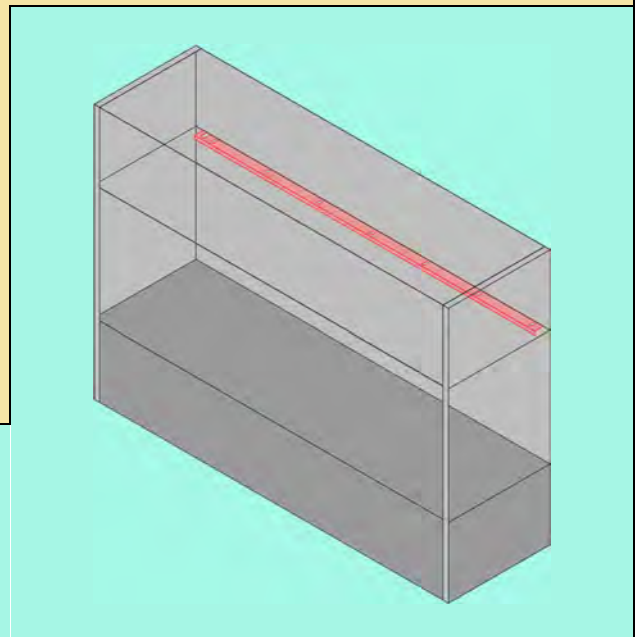
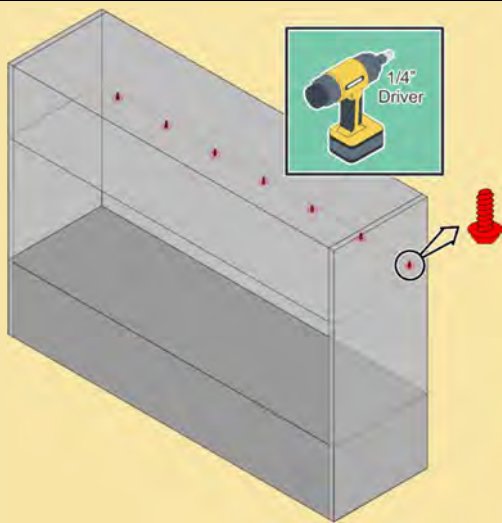
Brick Version

Proper Orientation of the Firebacks

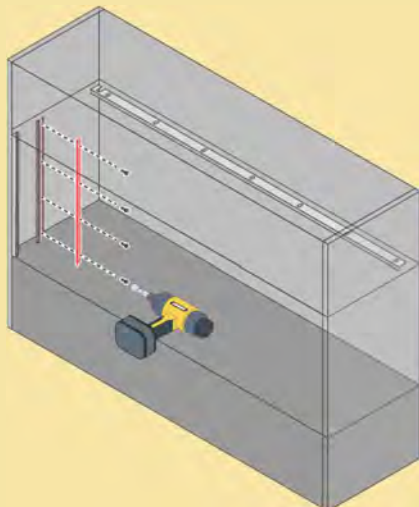
For the grout lines to line up properly the firebacks must be properly oriented. The rear fireback should have the prominent grout line on top. For single sided and corner installations, the side firebacks will have the prominent grout line on the bottom. The side firebacks also have a mitered corner on the top. The miter should be facing the front of the fireplace.



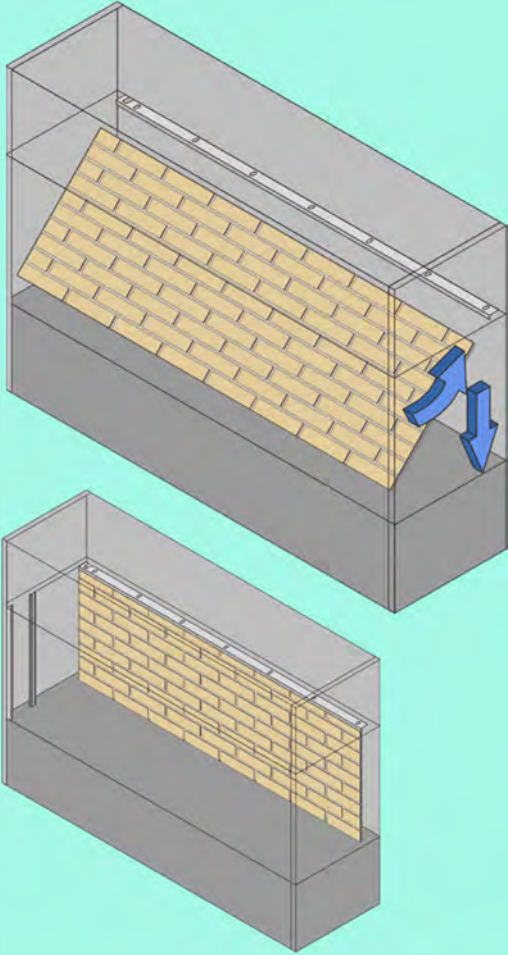
- Use a 1/4" driver to remove the (7) screws on the rear of the firebox ceiling and floor (see illustration).



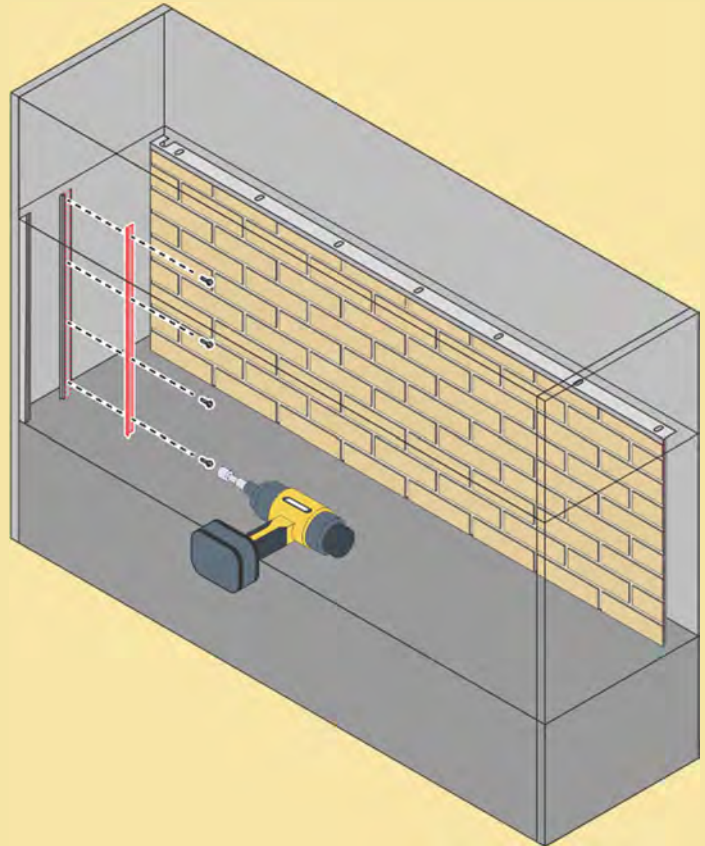
- Install the upper mounting bracket as shown to the right. Use the screws removed in the previous step to secure the bracket to the fireplace. The return on the bracket should point down on the top bracket. There is a notch on the left end of the bracket to accommodate the upper accent light wires on the back wall of the fireplace.



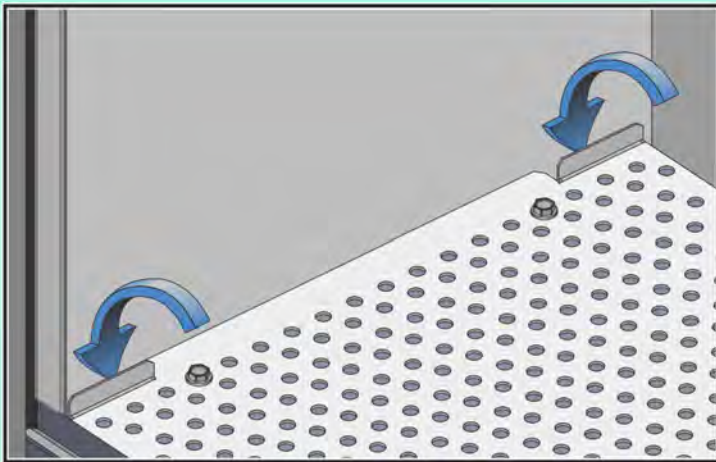
- Use a 1/4" driver to remove the (4) screws that secure the inner glass support from each end of the firebox. These supports have silicone gaskets on the support surface; take care not to damage the gasket. Set the support and the screws aside for reinstallation.



- Lift the rear fireback into place. Tilt the top of the fireback toward the rear of the fireplace. The top edge will rest behind the small return of the top mounting bracket. Insert the fireback bottom edge toward the rear of the firebox until it touches the rear wall.

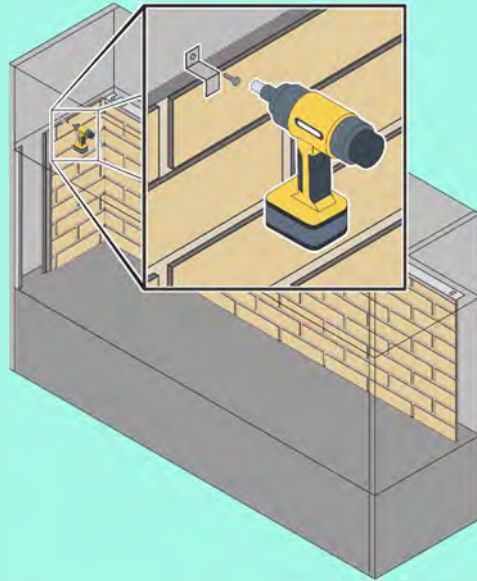
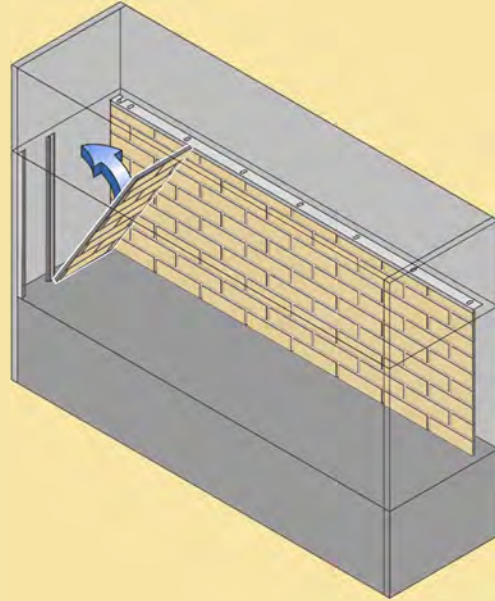


- Reinstall the inner glass supports removed in an earlier step.



- On each end of the media tray, there are (2) tabs. Bend each of these tabs downward until they are level with the top of the media tray.

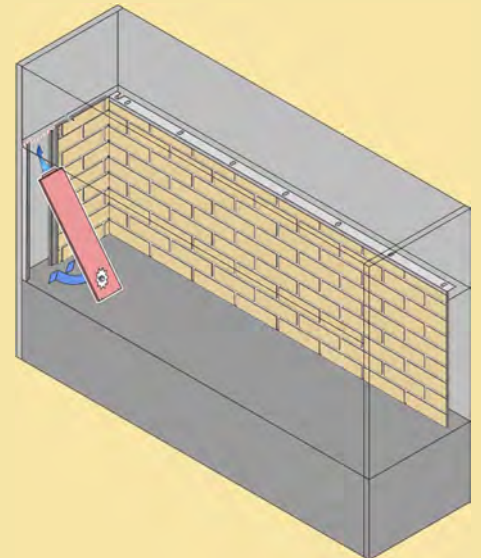
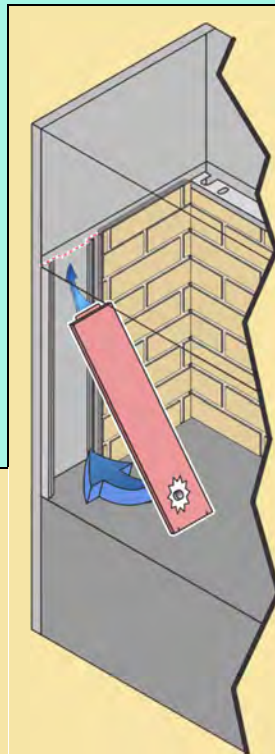
- If installing the firebacks into a single sided or corner fireplace, use a 1/4" driver to loosen the single screw on the upper portion of the sidewall. Install the bottom edge of the fireback up against the (2) tabs on the media tray and tilt the top of the fireback into place.



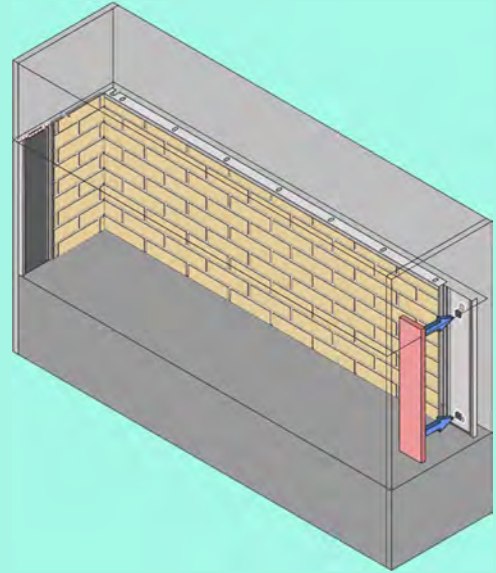
- Slide the side fireback retainer clip over the top edge of the fireback and secure it to the fireplace using the screw you loosened in the previous step.

NOTE: Install the inner glass panel before installing the filler fireback. The fireback extends past the edge of the glass.

- Install the front filler fireback as shown above. There is a tab on the top of the fireback that fits into a slot on the ceiling of the firebox. Tilt the fireback top toward the firebox side wall and insert the tab as shown. Slide the bottom of the fireback into place. There is a magnet attached to the lower portion of the fireback that will secure it to the side wall of the fireplace.



- If installing on a bay or corner fireplace, install the rear filler fireback as shown to the right. There are (2) brackets with magnets on the fireplace that hold the filler fireback in place.



Crushed Glass Installation



Do not allow the crushed glass to block the air slots or to become too thick (maximum 1 layer deep on the burner). Failure to properly install glass may lead to sooting and improper burning.



If converting to LP (propane), convert the appliance prior to placing the crushed glass.

Quantity of Crushed Glass

- Single Sided:** 12 lbs. (5.4 Kg)
- Bay:** 14 lbs. (6.4 Kg)
- Corner:** 13 lbs. (5.9 Kg)

Make sure the glass is only (1) layer deep on the burner – (2) layers deep on the media tray.

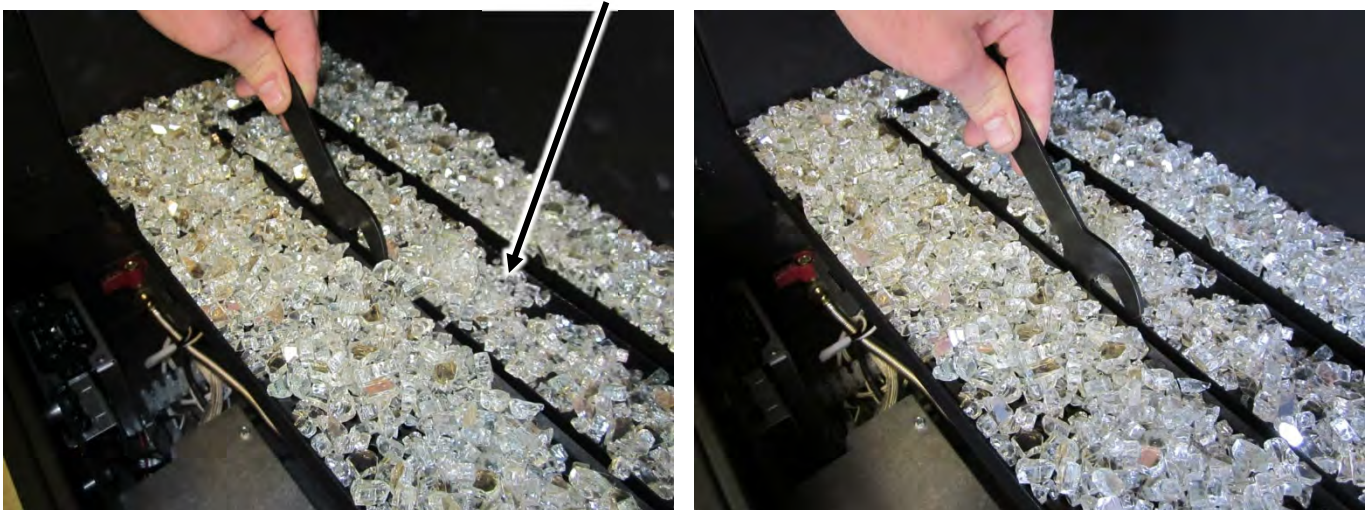
Install the crushed glass on the glass tray following the directions below.

Before installing the crushed glass, make sure the pilot guard is in place (it is zip-tied to the glass tray – remove and discard the zip-tie). After installing the glass, remove the pilot guard. Make sure no glass covers the pilot opening.



Spread the crushed glass evenly along the glass tray.

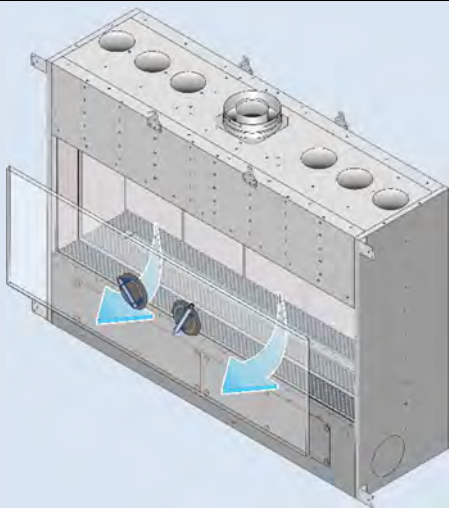
Make sure the two air channels are free of crushed glass. Use a screwdriver or other tool to clear this area. **Make sure the glass is only (1) layer deep on the burner – (2) layers deep on the media tray.**



LP Conversion Instructions**! WARNING !**

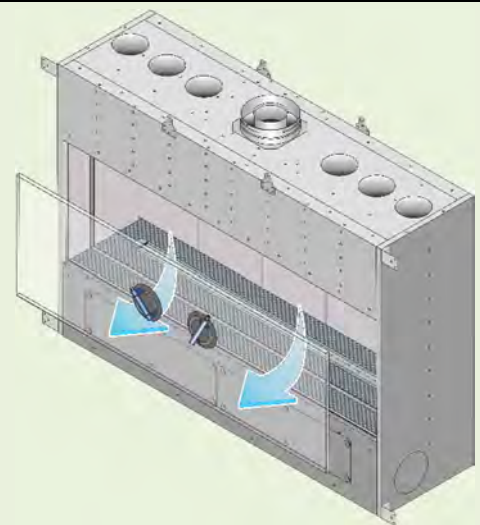
This conversion kit shall be installed by a qualified service agency in accordance with the manufacturer's instructions and all applicable codes and requirements of the authority having jurisdiction. If the information in these instructions is not followed exactly, a fire, explosion, or production of carbon monoxide may result causing property damage, personal injury, or loss of life. The qualified service agency is responsible for the proper installation of this kit. The installation is not proper and complete until the operation of the converted appliance is checked as specified in the manufacturer's instructions supplied with the kit.

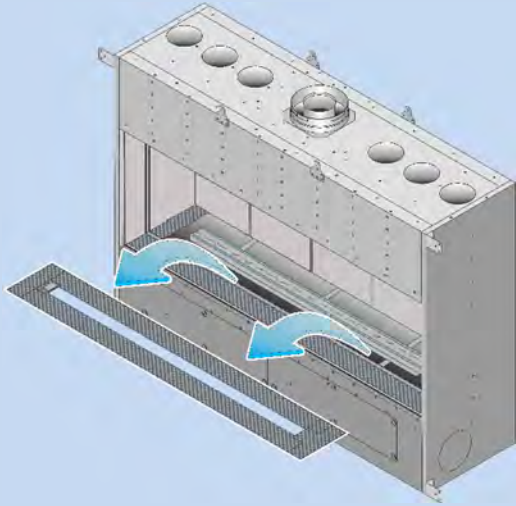
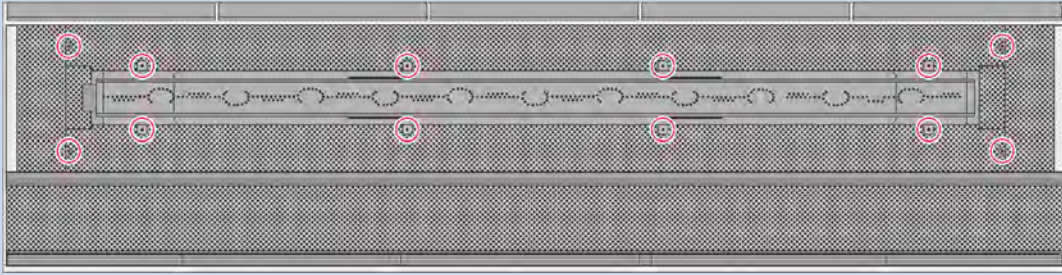
The GSR Stepper Motor Kit (4-pack = 94400999, single = 250-01463) is required for converting this appliance to LP. The kit contains the stepper motor (regulator) and Torx wrench. The burner orifices, pilot orifice, and burner gaskets are shipped with the appliance.



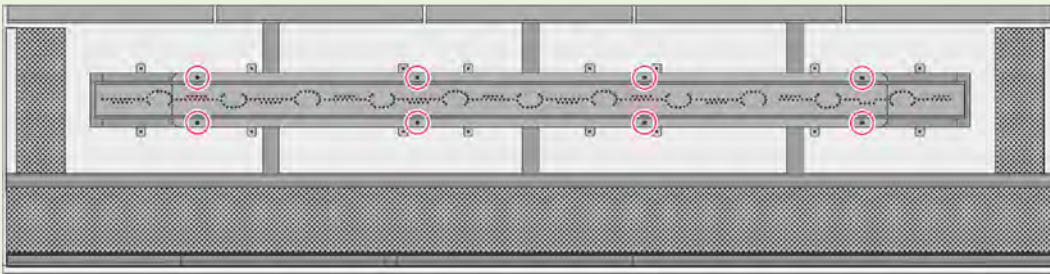
- Use the suction cup tools to remove the outer layer of glass (see the section "Glass Pane Installation and Removal" on page 49 for details). Set the glass on a soft surface out of the way.

- Repeat the same process to remove the inner layer of glass

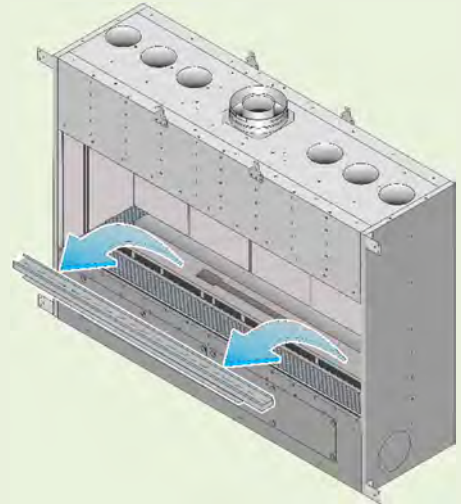


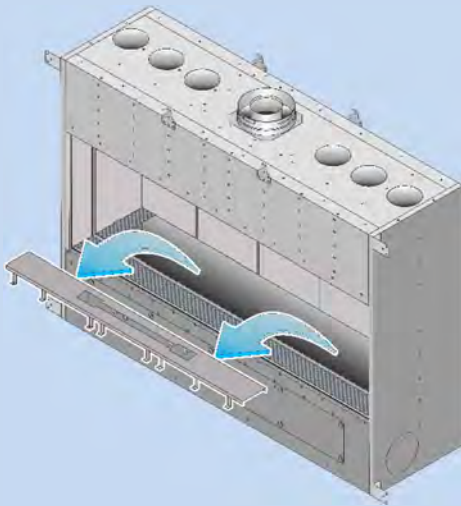
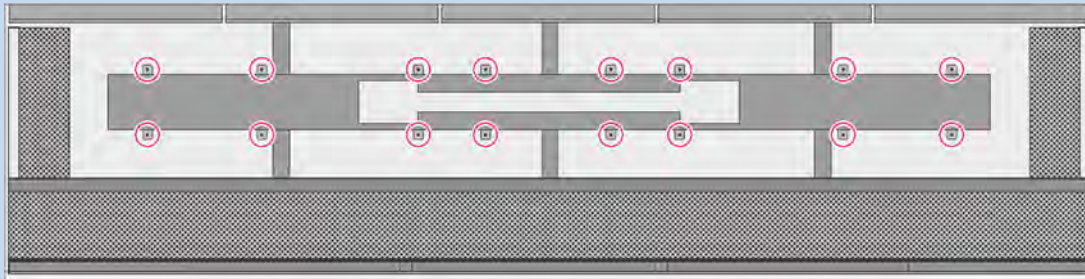


- Use a 1/4" driver to remove the (12) screws that secure the media inner media tray to the fireplace. Lift the media tray out of the firebox and set it and the screws aside for reinstallation.

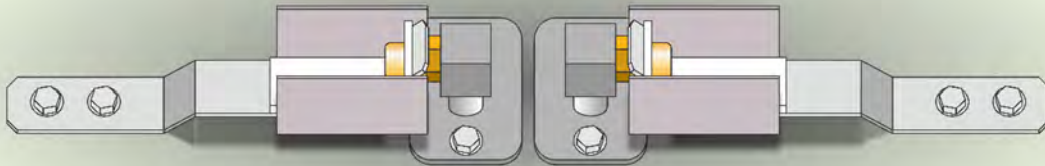


- Use a 1/4" driver to remove the (8) screws that secure the burner assembly to the fireplace. Lift the burner out of the firebox and set it and the screws aside for reinstallation.





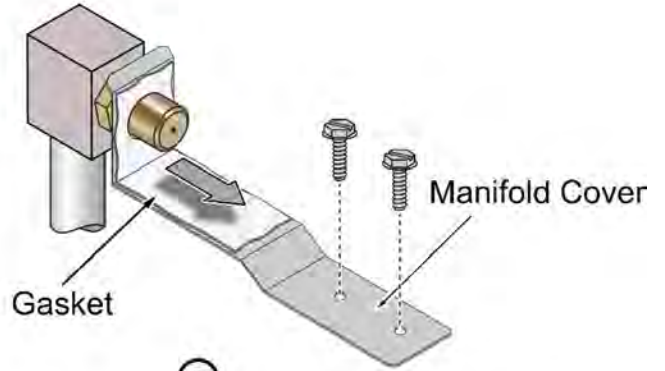
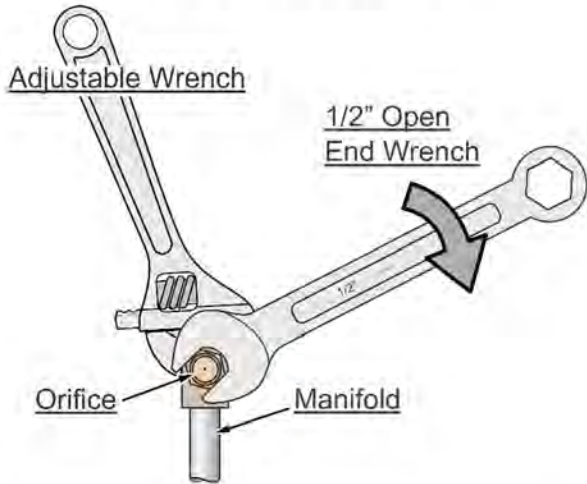
- Use a 1/4" driver to remove the (16) screws that secure the burner support to the fireplace. Lift the burner support out of the firebox and set it and the screws aside for reinstallation.



- The (2) burner orifices and manifolds should now be visible on the center floor of the firebox.

Follow the directions below to replace the burner orifices.

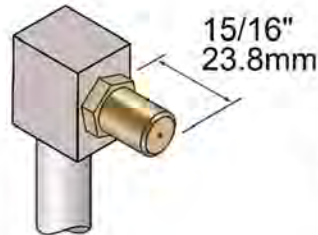
- a Remove the manifold cover(s) that are around the burner orifice(s).
- b Use a adjustable wrench to support the manifold while removing each orifice with a 1/2" wrench.



- c Apply thread sealant to the LP orifices prior to installation. Use the chart in the "Gas Specifications" section to determine the correct orifices.



- d Screw each LP orifice until orifice protrudes 15/16" (23.8mm) indicating full insertion (use wrench to support manifold when re-attaching orifice).

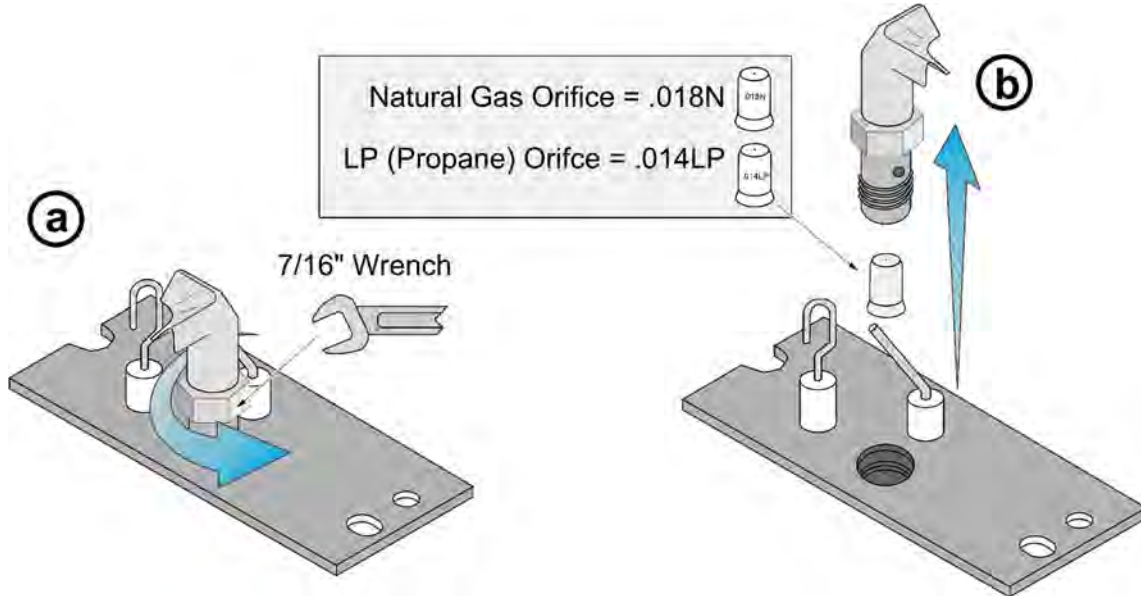


NG	LP
#42	1.45mm

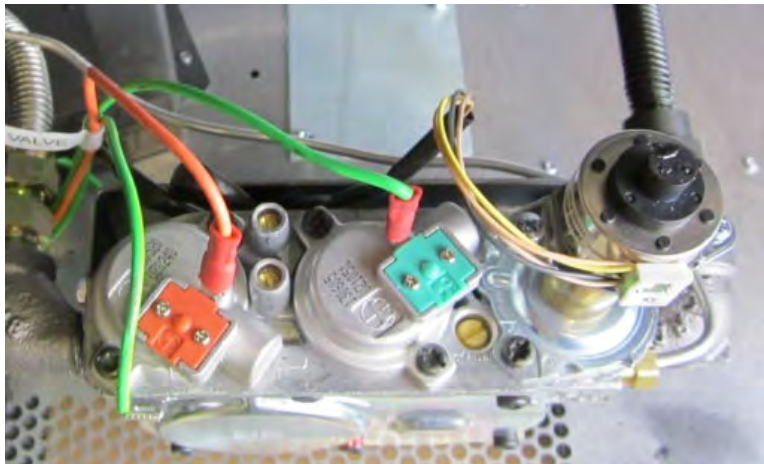
- e Replace the manifold cover and manifold gasket before replacing the burner

Install the LP pilot orifice following the instructions below.

- (a) Use a 7/16" open-end wrench to remove the pilot hood.
- (b) Remove and discard the Natural Gas (NG) orifice. Place the LP orifice in the pilot assembly then replace the pilot hood, tightening the pilot hood until it is snug (do not over-tighten).



The stepper motor (adjustable regulator) has an installation sheet included with it – make sure to follow all of the directions. Place the stepper motor on the gas control valve (see below) – **MAKE SURE IT IS CORRECTLY ORIENTED**. Secure using the screws included with the motor – tighten to 25 Lb.-inches. Leak test this area after installation to verify proper installation.



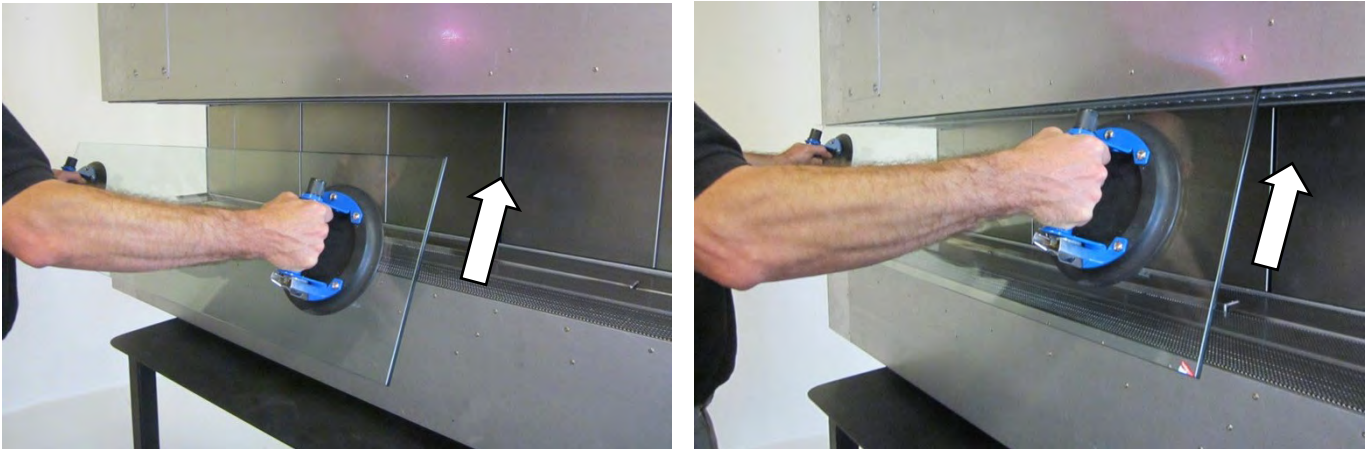
- Replace the burner.
- Replace the remaining firebox components.
- Replace the glass.
- Make the gas line connection, bleed the gas line (if applicable), start the heater, and thoroughly leak-test all gas connections and the gas control valve.

Installing the Glass Panes into the Fireplace

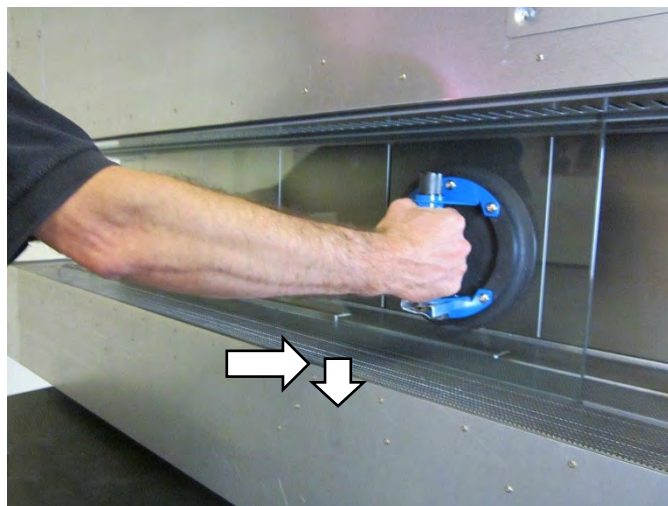
- (a) Before installing the glass pane, verify the lower channel is free of crushed glass or any other debris. Any debris left in this channel will cause an air leak and may damage the glass pane.

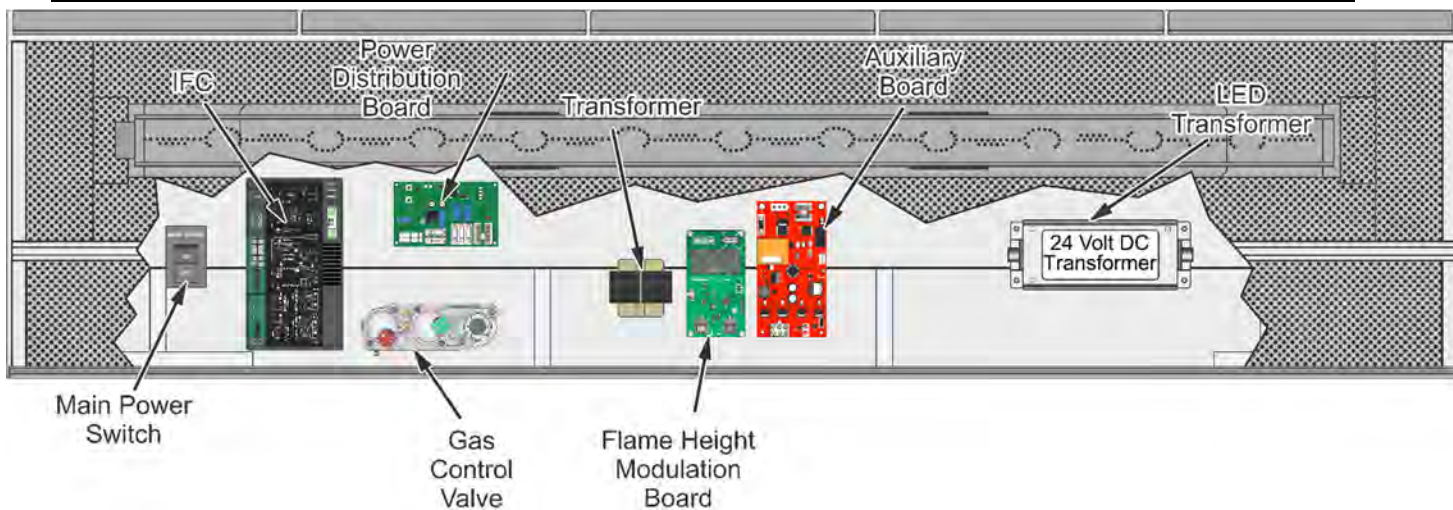


- (b) Lift the glass pane and insert it at an angle so the top edge inserts into the upper slot.



- (c) Swing the lower edge of the glass pane inwards until the lower edge can be inserted into the lower slot.



Location of Components

Before You Begin

- Read this entire manual before you use your new heater (especially the section "Safety Precautions" on pages 4 & 5).

FOR YOUR SAFETY READ BEFORE LIGHTING



If you do not follow these instructions exactly, a fire or explosion may result causing property damage, personal injury, or loss of life.

This appliance is equipped with an ignition device that automatically lights the pilot. Do not try to light the pilot by hand.

BEFORE OPERATING, smell around the appliance area for gas. Be sure to smell next to the floor because some gas is heavier than air and will settle on the floor.

WHAT TO DO IF YOU SMELL GAS

- Do not try to light any appliance.
 - Do not touch any electrical switch; do not use any phone in your building.
 - Immediately call your gas supplier from a neighbor's phone. Follow the gas supplier's instructions.
 - If you cannot reach your gas supplier, call the fire department.
- Installation and service must be performed by a qualified installer, service agency, or the gas supplier.

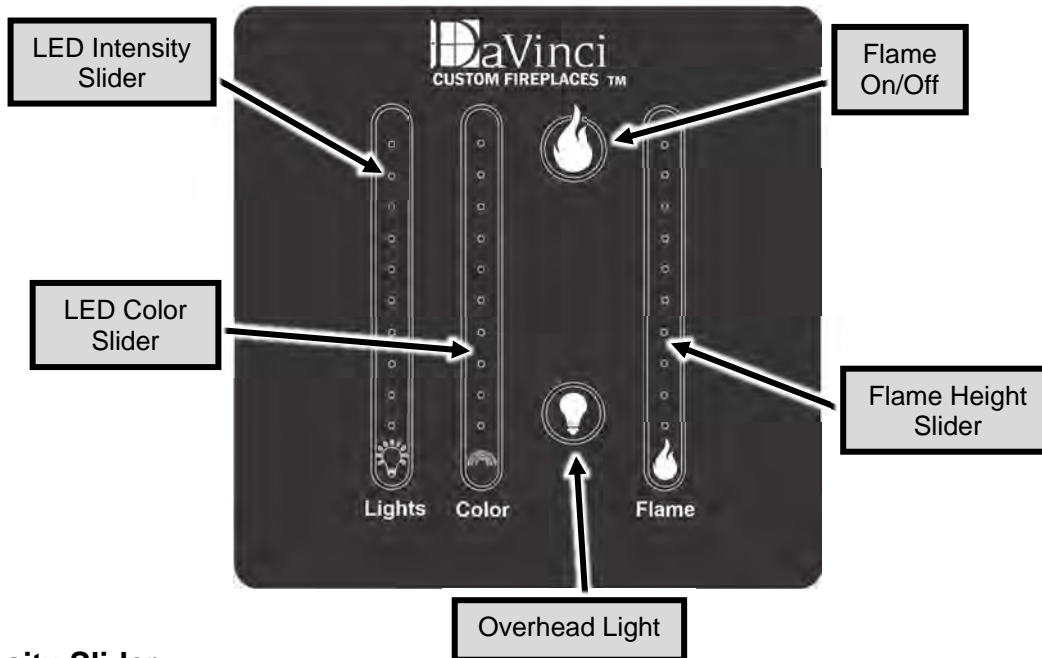
- Do not use this appliance if any part has been underwater. Do not use this appliance if any part has been underwater. **If any part of the appliance has been under water the entire fireplace must be replaced.**
- If the gas valve requires repair, call a qualified service technician. Force or attempted repair may result in a fire or explosion.

Starting the Heater for the First Time

- Condensation may appear on the glass each time you start the heater - this is normal.
- Blue Flames will occur on the heater when it first comes on. After fifteen minutes the flames will turn a more realistic yellow and orange color.

NOTE: Whenever power is connected to the fireplace (e.g.: power outage or breaker re-set), the convection blower will turn on and run for approximately 6 minutes).

Location of Controls



LED Intensity Slider

Slide your finger up to increase LED intensity and slide down to decrease intensity. Slide to the bottom to turn the lights off.

LED Color Slider

Slide your finger up or down to cycle through LED colors.

Overhead Light

Press this button to control the overhead lights. This button will cycle from:

OFF ➔ LOW ➔ MEDIUM ➔ HIGH ➔ OFF.

LED On / Off

If the fireplace is off, and you press this button once, the LEDs will turn on to their latest setting. If you press it again, the LEDs will turn off. If the burner is on, it too will turn off.

Flame On/Off

Press this button to turn the flames ON/OFF



The fireplace takes approximately 40 seconds to turn on after the switch is turned to the "ON" position. The flame icon will pulse to indicate the fireplace is in startup mode.

Flame Height Slider

Slide your finger up to increase flame height and slide down to decrease the flame height.

IPI (Intermittent Pilot)/CPI (Continuous Pilot) mode

To change the unit from CPI to IPI or IPI to CPI modes, (with the fireplace off) touch the highest setting on the Flame Height Slider, then the lowest, and repeat **WITHIN 30 SECONDS**. See the section "Pilot Fuel Conservation Timer" on page 75.



If the fireplace is in CPI mode and is not used for 7 days the fireplace will automatically change back to IPI mode. To turn the fireplace back to CPI mode use the sequence described above.

IPI (Intermittent Pilot)/CPI (Continuous Pilot) mode - Continued

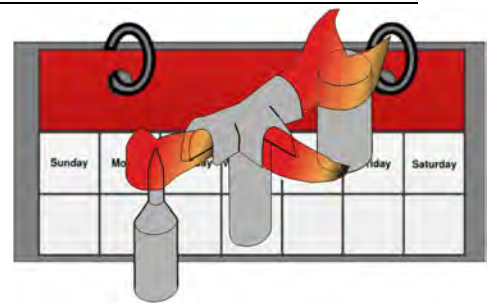
This heater may run with the pilot continuously burning or in Intermittent mode. For most homeowners, Intermittent mode is preferable as this saves fuel. However, in some situations, the homeowner may prefer to switch the heater to Continuous Pilot mode. The most typical reasons for switching to Continuous Pilot are:

- **Very Cold Conditions** – In very cold conditions you may notice that the burner does not light quickly, and the flames lift off the burner. If this is the situation, we recommend you switch to continuous pilot. This will create a slight draft in the vent, allowing for the burner to light quickly and draft correctly.
- **Excessive Condensation on Glass After Startup** – Certain installations may encounter excessive fogging on the window after startup (not just the first time the heater was started). This condition may be remedied by keeping the glass warm by switching the heater to continuous pilot.
- **Cold Glass or Heater Front** – In very cold conditions you may notice that the heater front and glass become noticeably cold. To remedy this, switch the heater to continuous pilot.

Pilot Fuel Conservation Timer

7 Day Pilot Shutoff Timer

This appliance may be equipped with a 7 day pilot shutoff timer. This timer helps conserve fuel and save money by turning the pilot off when the appliance is not used for 7 days (this timer is mandated in certain areas for conservation purposes). This applies only when the unit is in CPI (Continuous Pilot Ignition) mode. If the unit is in IPI (Intermittent Pilot Ignition) mode, the timer does not apply.



When in CPI mode the pilot will remain lit as long as the burner is engaged within a 7 day window. Each time the burner is turned on the 7 day timer resets. If the burner is not engaged within the 7 day window, the pilot will automatically revert to IPI mode and turn off to conserve fuel.

To switch back to CPI, simply:

With the fireplace off, touch the highest setting on the Flame Height Slider, then the lowest, and repeat **WITHIN 30 SECONDS** to change the unit from CPI to IPI or IPI to CPI modes.

DANGER HIGH VOLTAGE: Disconnect power before attempting maintenance or repair.

Yearly Service Procedure

- Failure to inspect and maintain the fireplace may lead to improper combustion and a potentially dangerous situation. We recommend the following procedures be done by a qualified technician.



For Qualified Service Personnel ONLY!

- Inspect the pilot flame. It should touch approximately 3/8" of the top of the flame sensor.
 - Shut off the gas to the fireplace and let it cool for 15 minutes. Remove the glass (see page 53).
 - Remove crushed glass. If excessive sooting is found, the fireplace will require adjustment.
 - Inspect the burner and remove any debris.
 - Make sure the burner is not warped, cracked, or damaged.
 - Check the firebox and area around the pilot to make sure there is no warping or damage.
 - If any problem is found, discontinue use until repair can be performed.
 - Inspect the fireplace and clean as necessary. Check the gas control valve and the gas lines. If damage is found discontinue use until repair can be performed. Clean the air channels, ducts, and blower.
 - Replace the crushed glass.
 - Clean and replace the glass panes (see "Glass Cleaning" section below). If the glass is damaged, replace it.
- NOTE:** Make sure the gasket along the perimeter of the inner glass makes an air-tight seal. If it does not, re-align or replace the gasket to ensure an air-tight seal.
- Start the main burner. After 15 minutes the flames should be orange/yellow and not touch the top of the firebox. If the pilot or main burners do not burn correctly, contact your dealer for service. Monitor blower operation.
 - Remove any debris or vegetation near the vent termination. Contact your dealer if any sooting or deterioration is found near the vent termination



Glass Cleaning

The appliance must be completely cool before cleaning the glass.

The glass may be cleaned with a non-abrasive cleaner. To clean the inside of the glass, remove the glass, place it on a non-scratching surface, and clean the inside surface.

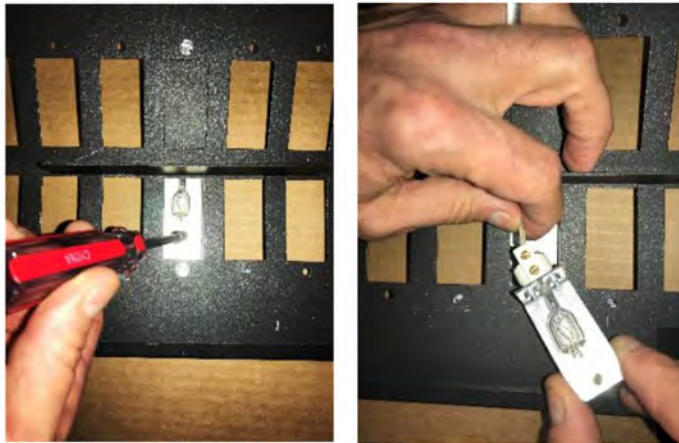
WARNING: Do not operate the fireplace without the glass in place.



HINT: We recommend the product "Speedy White" or glass cleaner specifically meant for gas appliances for cleaning the interior glass. Products such as "Spray Away" glass cleaner may be used on the exterior glass.

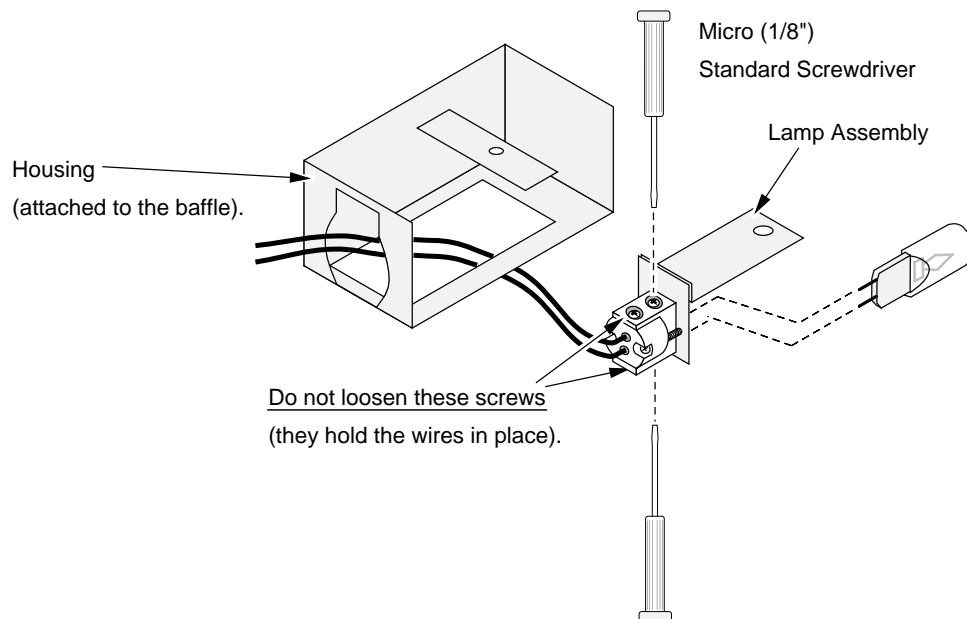
Overhead Light - Bulb Replacement

- 1 Remove the screw securing the lamp assembly to the housing (set aside for reinstallation). Work the lamp assembly out through the hole in the baffle.



- 2 There are two brass screws (one on each side) that secure the bulb to the lamp assembly. Use a small standard screwdriver to loosen the screws.

NOTE: Do not loosen the screws that secure the wire to the ceramic lamp base.



- 3 Remove the bulb from the lamp base by pulling the bulb straight up from the base (do not twist).
- 4 Install the replacement bulb into the base. Secure the bulb by tightening the brass screws loosened in step 3.

NOTE: DO NOT TOUCH THE BULB WITH YOUR FINGERS. Oil from your skin will shorten the bulb's life.
- 5 Return the fireplace to its correct configuration.

Replacement Parts List

CAUTION: Use only Travis Industries replacement parts. Do not use substitute materials.

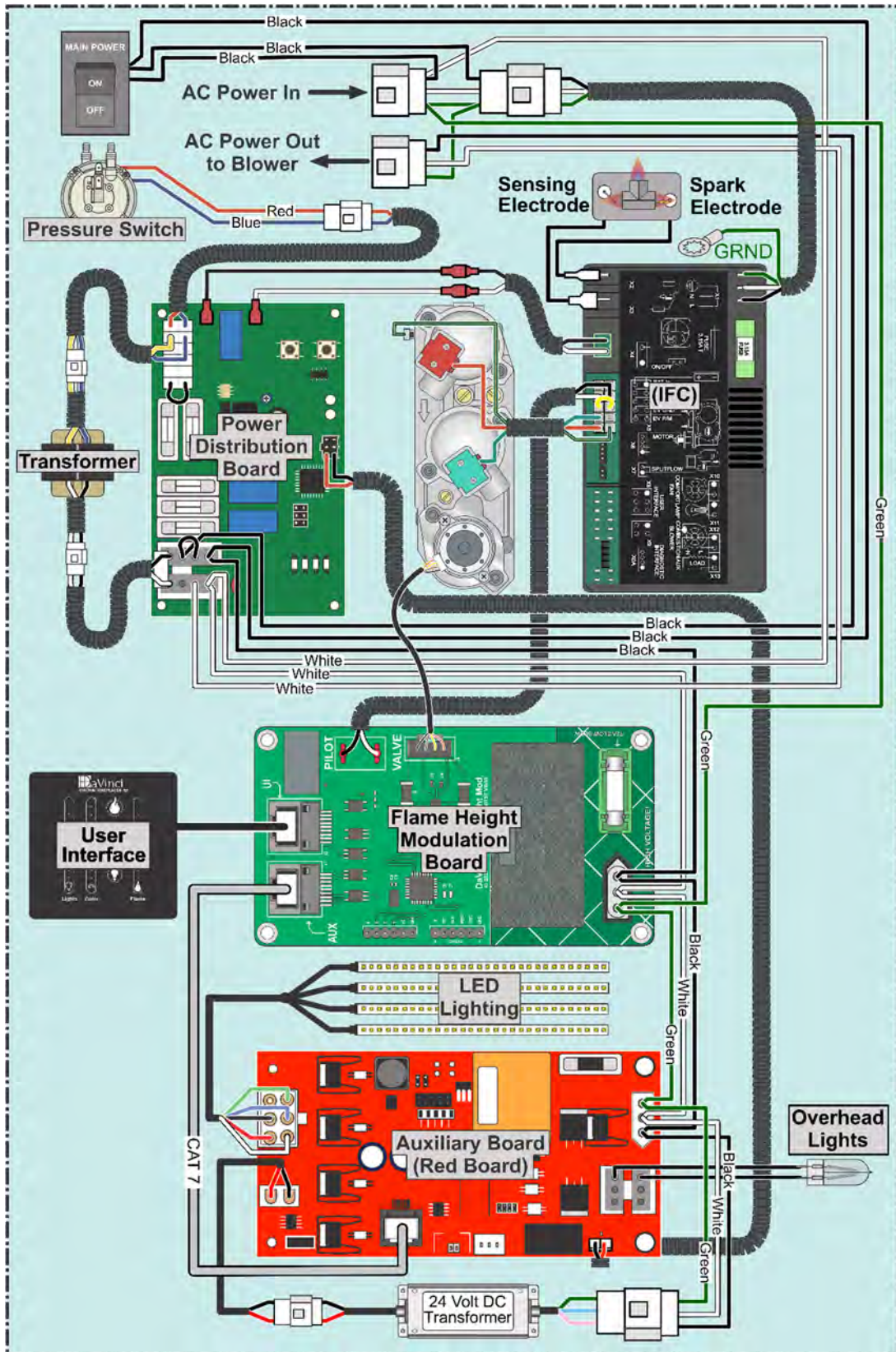
WARNING: Do not operate the appliance with the glass wind guard removed, cracked, or broken. Replacement of the glass should be done by a licensed or qualified service person.

Replacement Parts	
GLASS, SINGLE SIDED - FRONT INNER NO LOGO – 60" x 20-5/8" (Qty 1)	250-03974
GLASS, SINGLE SIDED - FRONT INNER – 60" x 20-5/8" (Qty 1)	250-03734
GLASS, CORNER OR BAY - END INNER 9-3/16" x 20-5/8" (Qty 1)	250-06382
GLASS, CORNER OR BAY - END OUTER - 13-11/16" x 20-5/8" (Qty 1)	250-06383
GLASS, CORNER, FRONT INNER NO LOGO - 60-7/16" x 20-5/8" (Qty 1)	250-06386
GLASS, CORNER FRONT OUTER - 65-1/4" x 20-5/8" (Qty 1)	250-06384
GLASS, BAY, FRONT INNER - NO LOGO - 60-7/8" x 20-5/8" (Qty 1)	250-06387
GLASS, BAY FRONT OUTER - 70-9/16" x 20-5/8" (Qty 1)	250-06385
PILOT ASSY, NG PSE 2-WY	250-02904
IGNITER	250-02777
CONTROL MODULE	250-03825
POWER DISTRIBUTION BOARD	250-03402
AUXILIARY CNTL BOARD	250-05158
BURNER ORIFICE - (1.45mm) (Qty 1)	250-04405
BURNER ORIFICE - (#42) (Qty 1)	250-03881
POWER SUPPLY, LED	250-05849
TOUCHSMART COTROL, BLACK	94600012
TOUCHSMART COTROL, WHITE	94600013
TRANSFORMER	250-03403
HALOGEN BULB	250-00022
GLASS GASKET	250-06439
FLAME MODULATION BOARD	250-06440
MAIN WIRE HARNESS	250-06441
REPLACEMENT BLOWER – NO HOUSING	250-04121

Contact your local DaVinci™ fireplace dealer to purchase replacement parts.

Wiring Diagram

Caution: Label all wires prior to disconnection when servicing controls. Wiring errors can cause improper and dangerous operation.

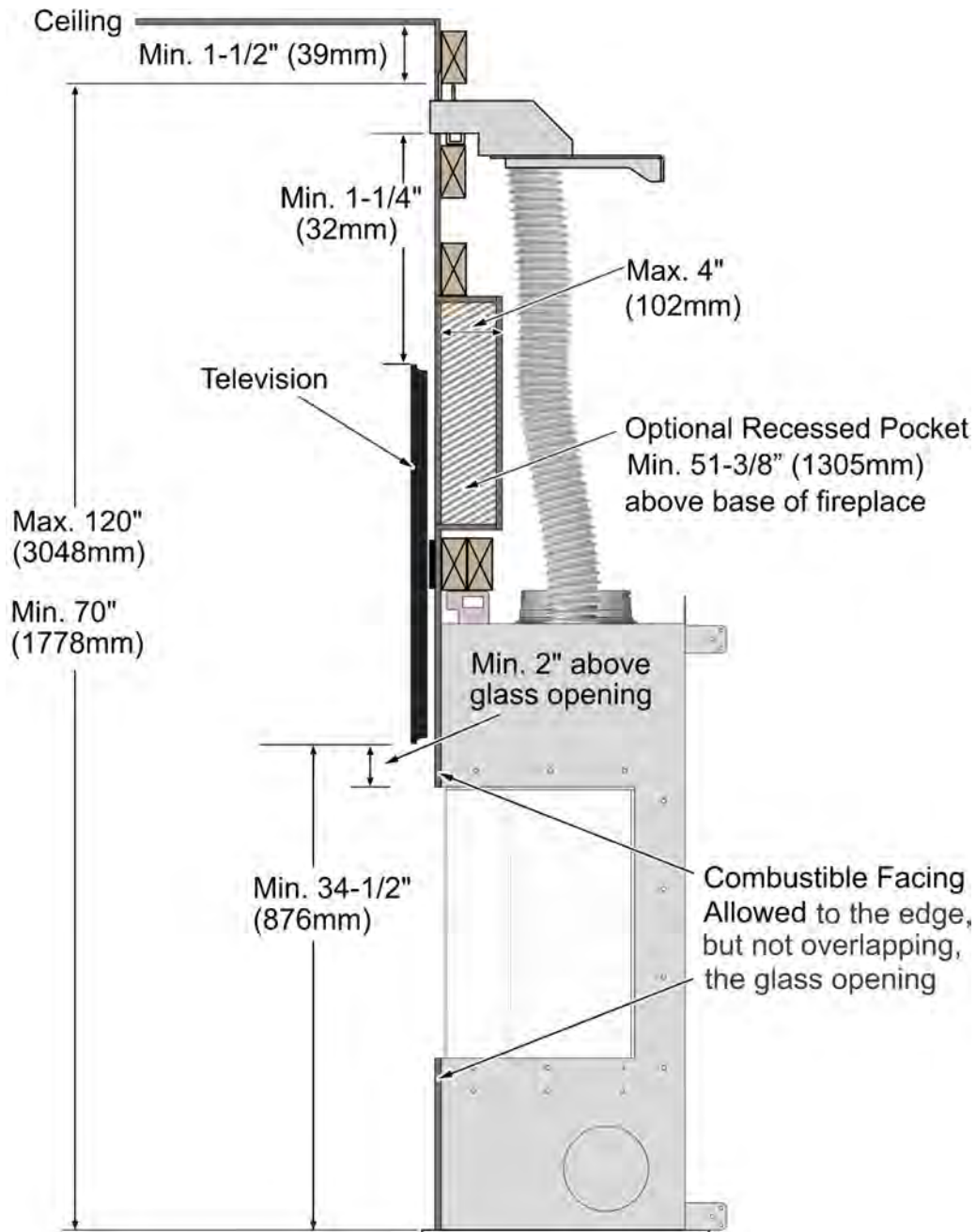


CoolSmart TV (Optional)**WARNING**

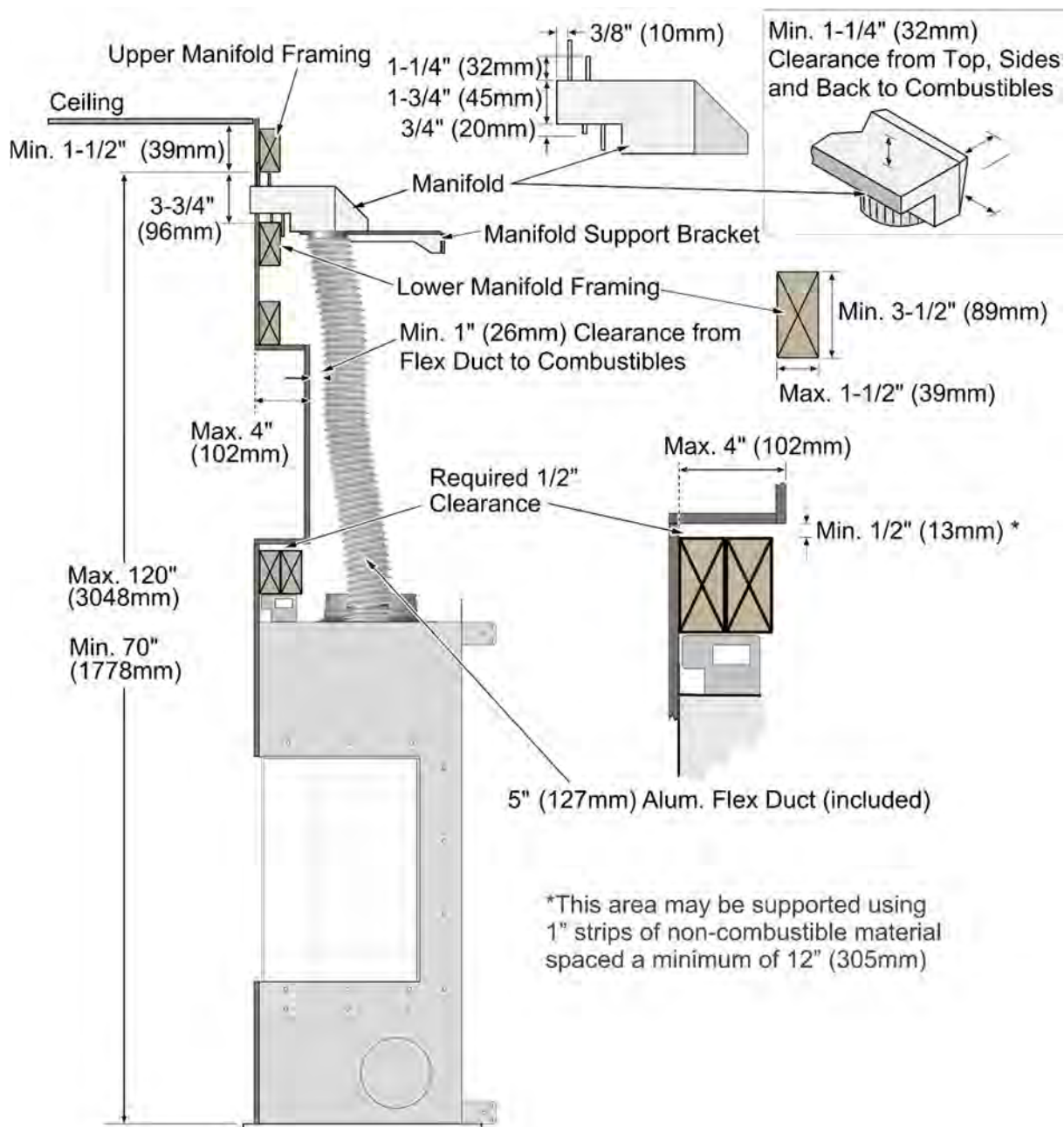
If using a ventilated chase, see page 17.

**CoolSmart TV - Installation Overview**

The CoolSmart system is designed to be an alternative to a ventilated chase to move the convective heat of the fireplaces into the conditioned space. When using this kit, disregard the framing dimensions in the manual and follow the framing instructions shown in this document.

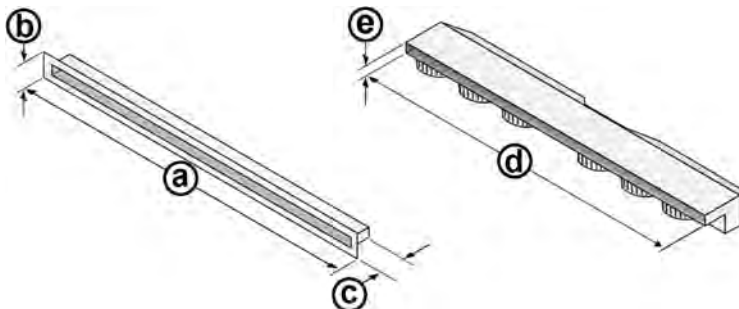


CoolSmart TV - Installation Requirements



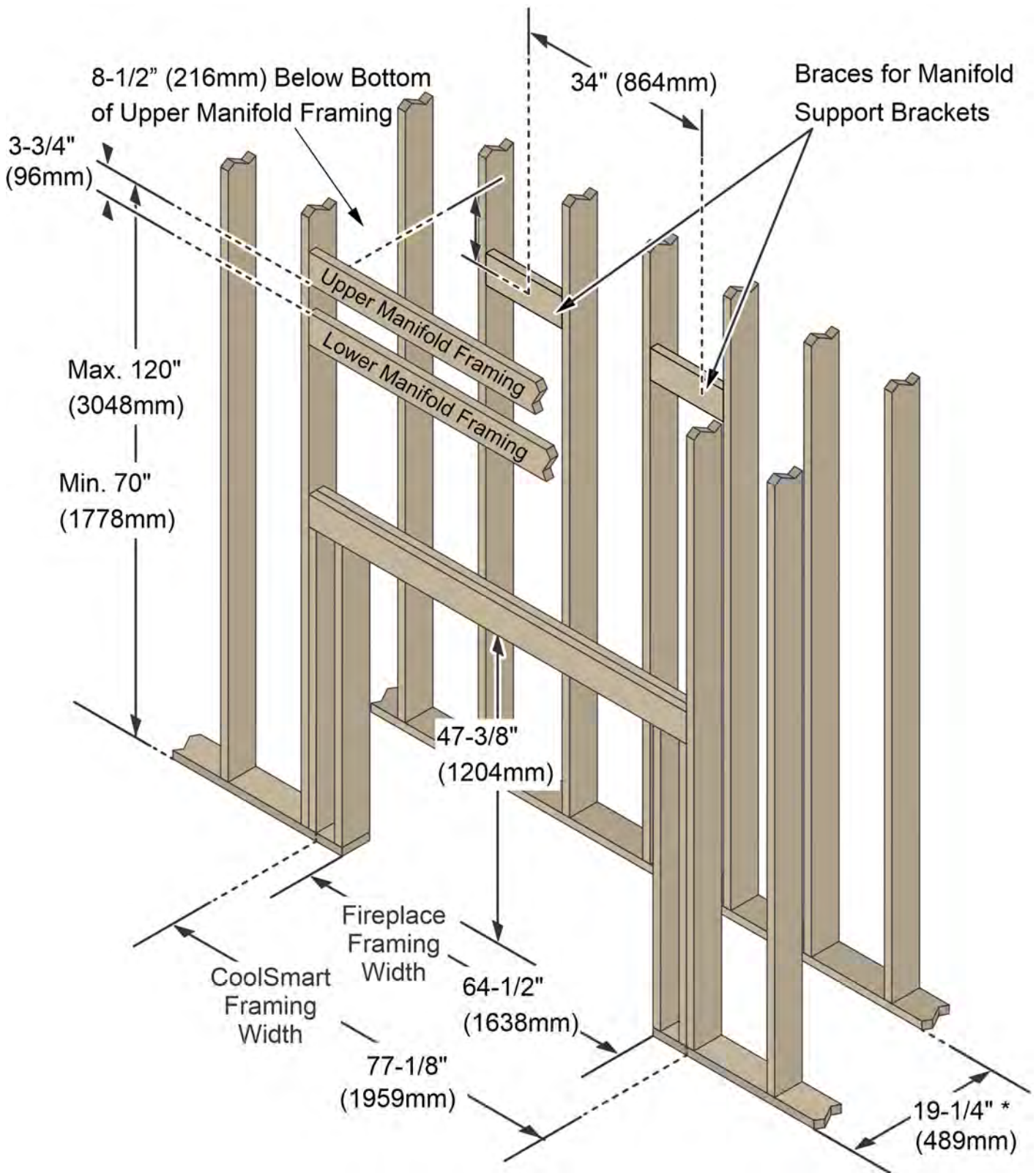
Grill and Manifold Dimensions

The grill may be installed over the facing to provide an aesthetic opening for the convection outlet. (2) 8-32 x 1-1/2" screws attach the trim to the upper manifold. This allows for variable thickness of the finish material.



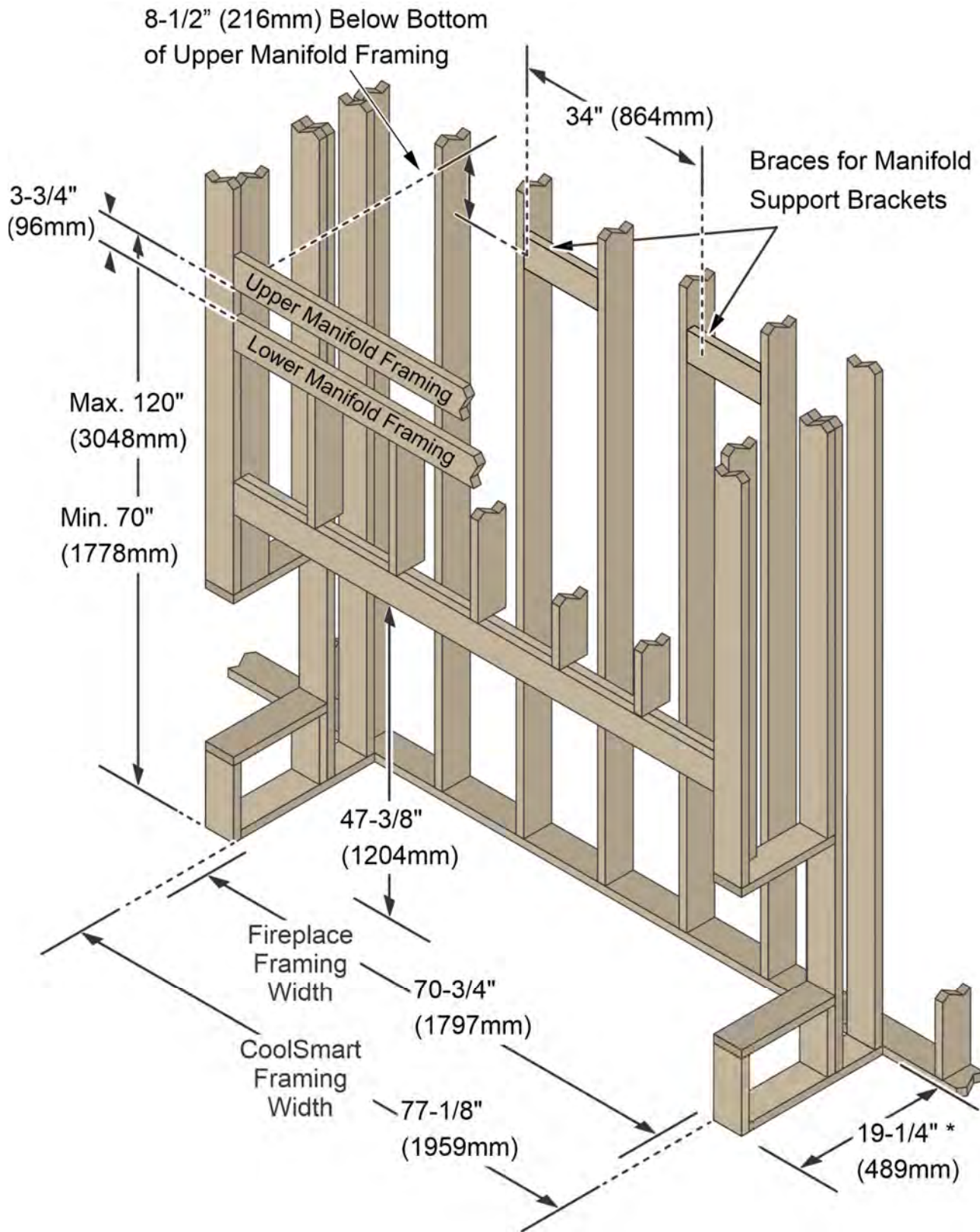
Dimensions

a	b	c	d	e
75" (1905mm)	2-7/8" (74mm)	1-1/4" (32mm)	74" (1880mm)	1-3/4" (45mm)

CoolSmart TV - Framing the Chase – Single Sided

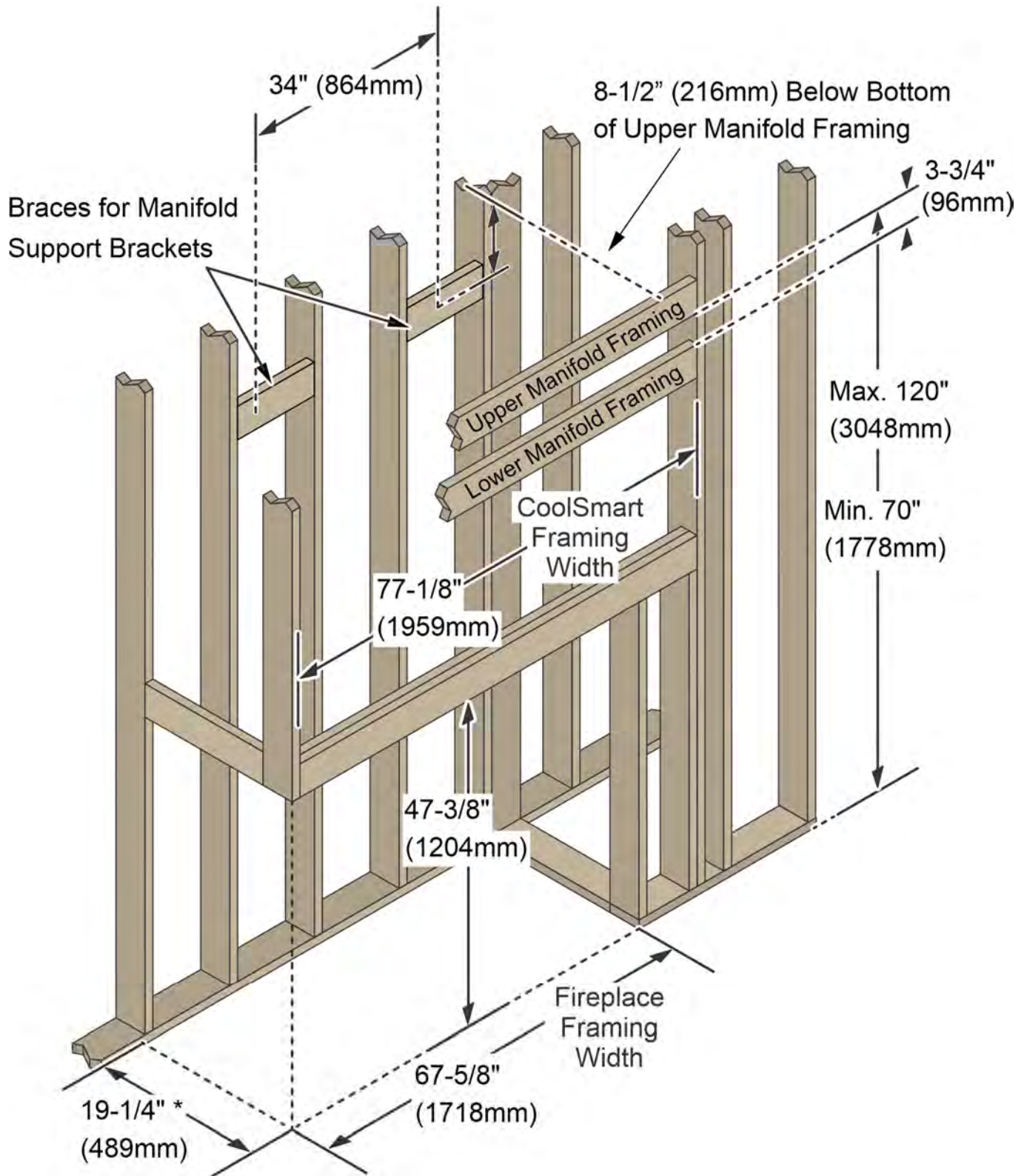
*This dimension may change due to duct layout for convection blower and/or the incoming gas line (See page 20 for details).

CoolSmart TV - Framing the Chase – Bay



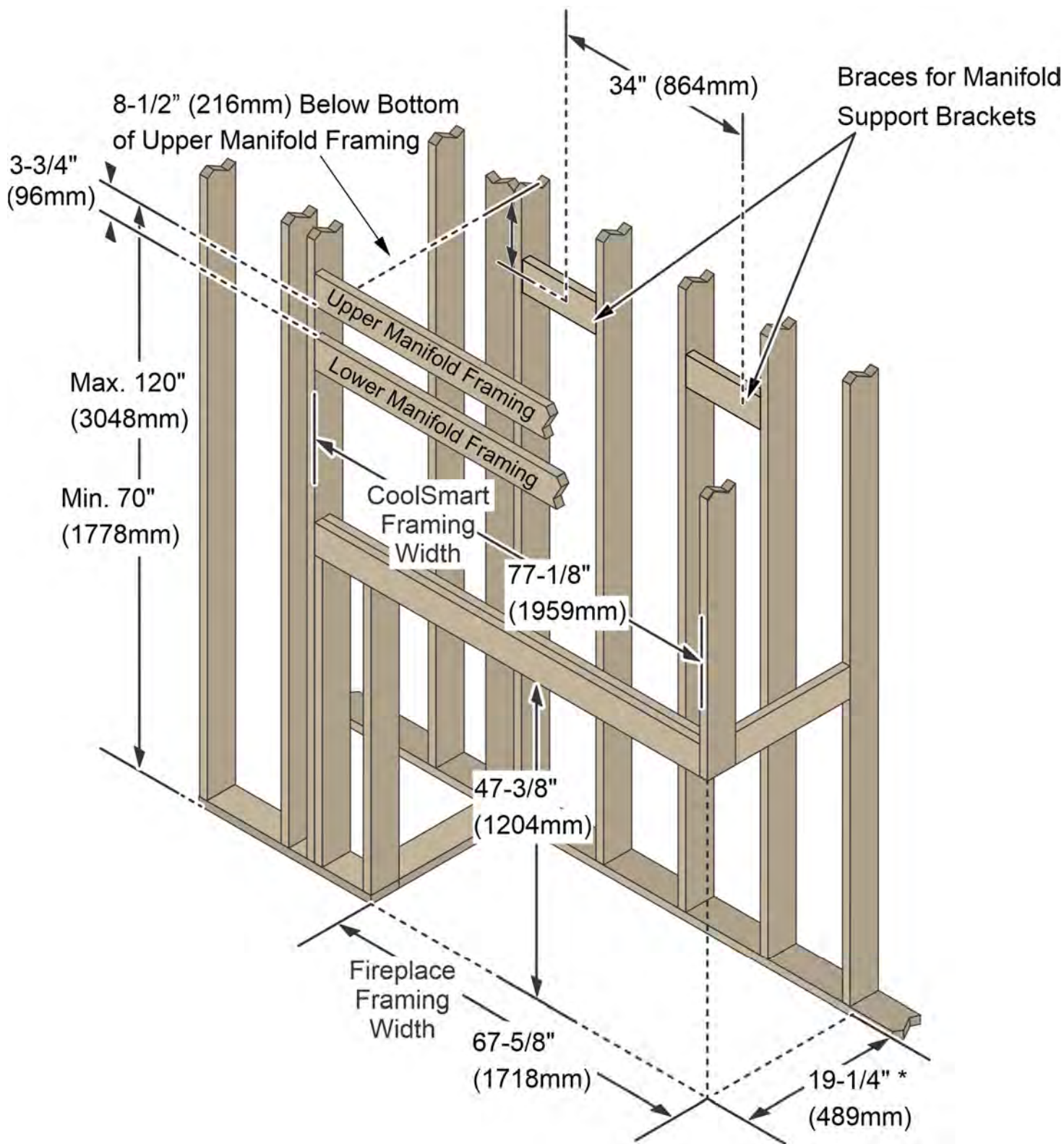
*This dimension may change due to duct layout for convection blower and/or the incoming gas line (See page 20 for details).

CoolSmart TV - Framing the Chase – Left Corner



*This dimension may change due to duct layout for convection blower and/or the incoming gas line (See page 20 for details).

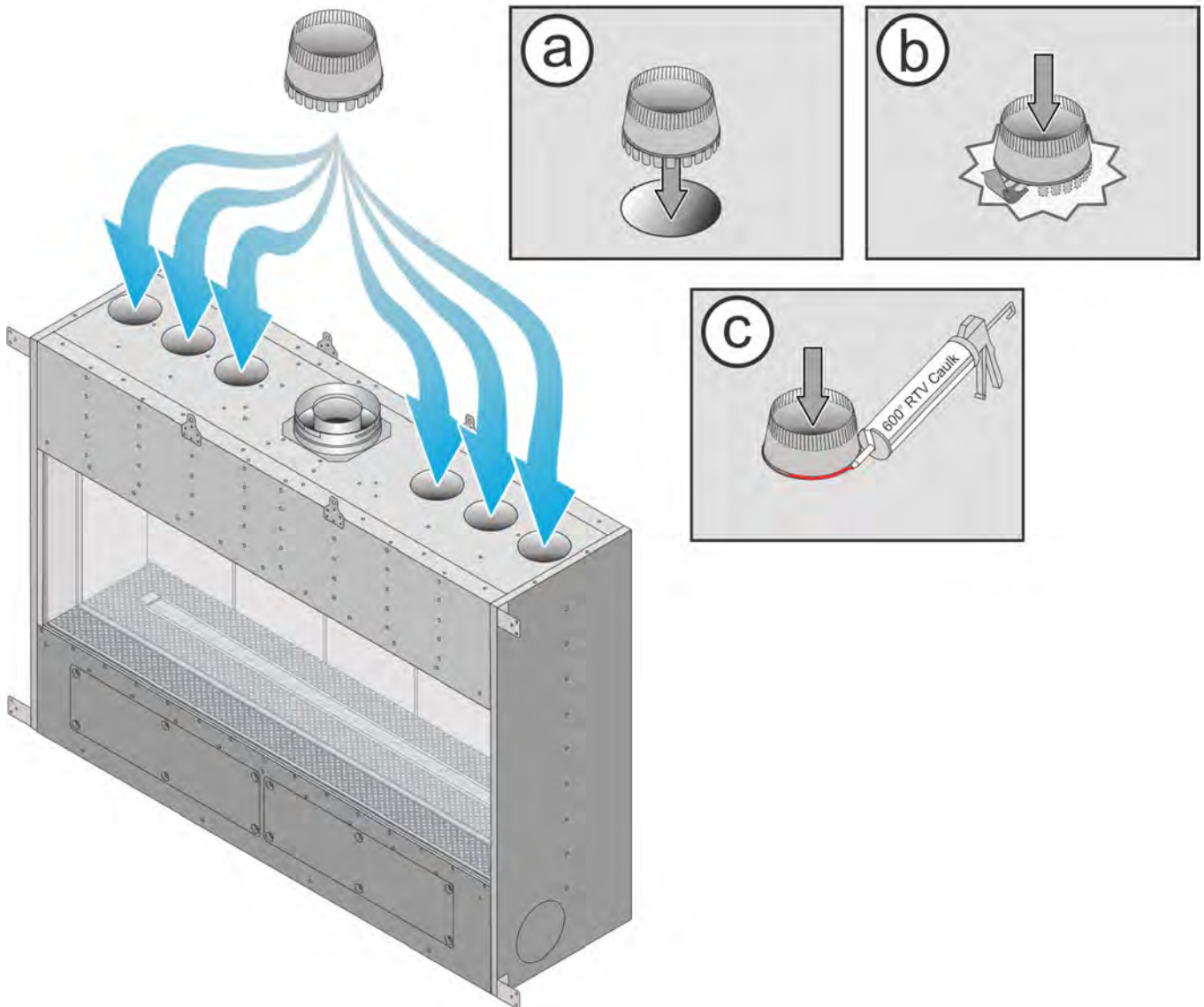
CoolSmart TV - Framing the Chase – Right Corner



*This dimension may change due to duct layout for convection blower and/or the incoming gas line (See page 20 for details).

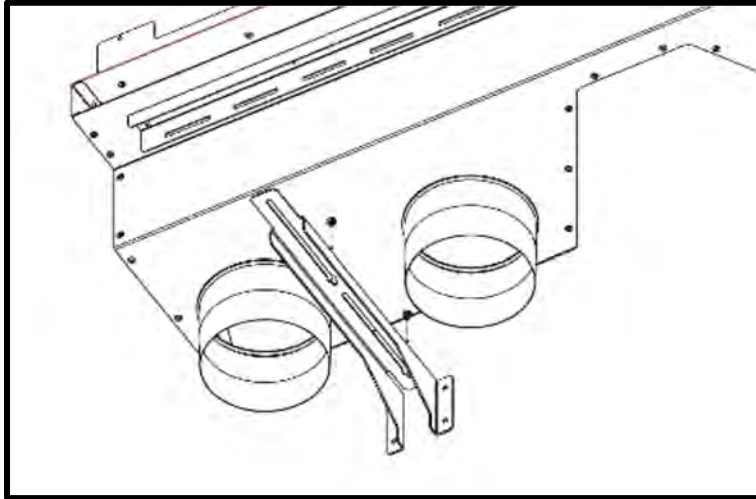
CoolSmart TV - Fireplace Preparation

Insert a starter collar into each of the holes in the top of the fireplace and bend the tabs to secure the starter collar to the fireplace. Seal the joints with silicone caulk or aluminum (U.L. 181A-P) tape.

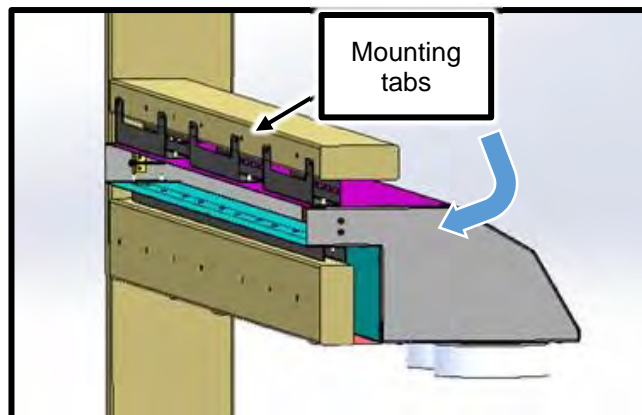


CoolSmart TV Kit Installation

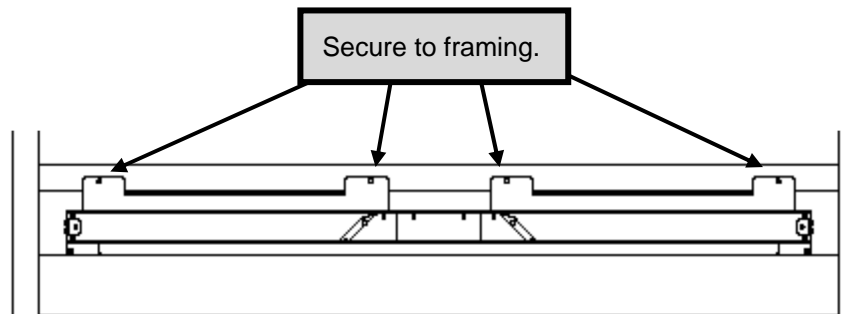
- 1 Remove the grill from the manifold (2 screws hold it in place).
- 2 Remove the rear-mounting brackets by loosening 1/4" screws and sliding them out of the keyhole slots.



- 3 Determine the desired location of the bottom of the convection air outlet. Install a horizontal framing member at the desired height, parallel to the header. Install a second horizontal framing member 3-3/4" above the first. These two framing members will support the upper convection manifold in the following steps.
- 4 Hold the upper convection manifold with the outlet facing the back of the framing members installed in the previous step. Tilt the outlet of the manifold downward until the outlet of the manifold and the two mounting tabs can fit between two framing members. Slide the outlet into the gap and allow it to sit level again. The two mounting tabs will support the manifold.



- 5 Secure the manifold to the upper framing using screws (not included).



- 6 Re-attach the two rear mounting brackets (removed in step 6) to the bottom of the convection manifold. Leave the screws loose so the brackets can be positioned to the back of the chase. Secure the brackets to the chase using screws (not included). Tighten the screws securing the brackets to the manifold.



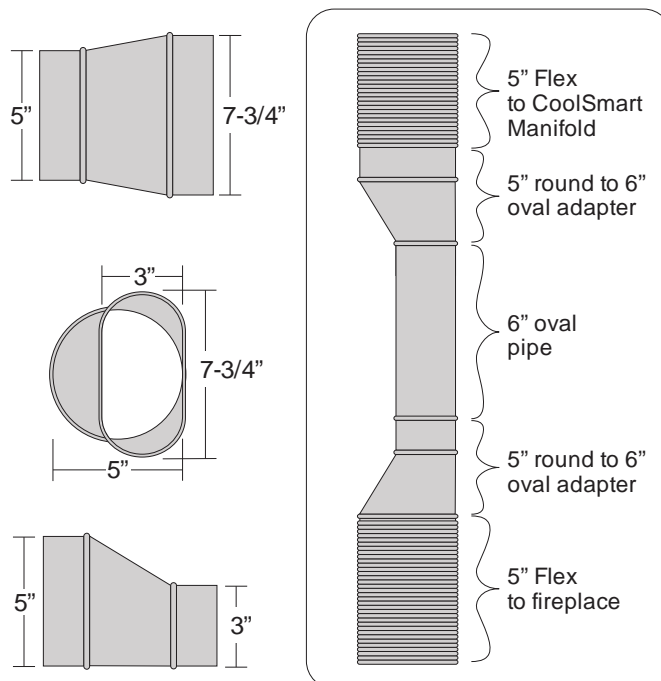
- 7 Install the fireplace into the framed chase. See section "Installation" in the manual.

Using oval pipe to get past an obstruction

If a situation arises that obstructs the CoolSmart flex vent runs (such as getting past a minimum sideways vent) you may transition the 5" flex vent to a ridged nominal 6" oval pipe to get past the obstruction. Transition back to the 5" round flex and continue to the manifold.

The adapters and ridged pipe should be factory ovalized, not field ovalized.

NOTE: All clearances to combustibles must be maintained.



7-Year Limited Warranty

Register your TRAVIS INDUSTRIES, INC. Limited 7-Year Warranty online at traviswarranty.com. TRAVIS INDUSTRIES, INC. warrants this gas appliance (appliance is defined as the equipment manufactured by Travis Industries, Inc.) to be defect-free in material and workmanship to the original purchaser from the date of purchase as follows:

Check with your dealer in advance for any costs to you when arranging a warranty call. Mileage or service charges are not covered by this warranty. This charge can vary from store to store.

	Warranty Period								Component
	2 yrs.		5 yrs.		7 yrs.		90 Days		
	P	L	P	L	P	L	P	L	
Parts & Labor P=Parts L=Labor	✓	✓							Burner assembly, Air Shutter Assembly, Main Burner Orifice, Firebacks
	✓	✓							Electrical Assembly: Wire Harness, LED Lighting, TouchSmart Controller, Convection Fan.
	✓	✓							Gas Control Assembly
	✓	✓							Glass (thermal shock only)
	✓	✓							Media: Stones, Crushed Glass
	✓	✓							Accessories: Fire art
	✓	✓	✓	✓	✓				Firebox Assembly
							✓		All replacement parts beyond the warranty period

CONDITIONS & EXCLUSIONS

- This new gas appliance must be installed by a qualified gas appliance technician. It must be installed, operated, and maintained at all times in accordance with the instructions in the Owner's Manual. Any alteration, willful abuse, accident, neglect, or misuse of the product shall nullify this warranty.
- This warranty is non-transferable and is made to the ORIGINAL purchaser, provided that the purchase was made through an authorized DaVinci dealer.
- Discoloration and some minor expansion, contraction, or movement of certain parts and resulting noise, is normal and not a defect and, therefore, not covered under warranty. The installer must ensure the appliance is burning as per the rating tag at the time of installation. Overfiring (operation above the listed BTU rate) of this appliance can cause serious damage and will nullify this warranty.
- The warranty, as outlined within this document, does not apply to the chimney components (except exhaust fan) or other non-DaVinci accessories used in conjunction with the installation of this product. If in doubt as to the extent of this warranty, contact your authorized DaVinci retailer before installation. Contact the vent manufacturer for vent warranty questions.
- Travis Industries will not be responsible for inadequate performance caused by environmental conditions such as nearby trees, buildings, rooftops, wind, hills, or mountains or negative pressure or other influences from mechanical systems such as furnaces, fans, clothes dryers, etc.
- This Warranty is void if:
 - The unit has been operated in atmospheres contaminated by chlorine, fluorine, or other damaging chemicals.
 - The unit is subject to submersion in water or prolonged periods of dampness or condensation.
 - Any damage to the unit, combustion chamber, heat exchanger, or other components due to water, or weather damage, which is the result of, but not limited to, improper chimney/venting installation.
- Exclusions to this 7 Year Warranty include: injury, loss of use, damage, failure to function due to accident, negligence, misuse, improper installation, alteration or adjustment of the manufacturer's settings of components, lack of proper and regular maintenance, damage incurred while the appliance is in transit, alteration, or act of God.
- This 7 Year warranty excludes damage caused by normal wear and tear, such as paint discoloration or chipping, worn or torn gaskets, corroded or cracked logs, embers, etc. Also excluded is damage to the unit caused by abuse, improper installation, modification of the unit, drilling of the orifices, or the use of fuel other than that for which the unit is configured.
- Damage to surfaces caused by fingerprints, scratches, melted items, or the use of cleaners other than denatured alcohol is not covered in this warranty.
- TRAVIS INDUSTRIES, INC. is free of liability for any damage caused by the appliance, as well as inconvenience expenses and materials. Incidental or consequential damages are not covered by this warranty. In some states, the exclusion of incidental or consequential damage may not apply.
- This warranty does not cover any loss or damage incurred by the use or removal of any component or apparatus to or from the gas appliance without the express written permission of TRAVIS INDUSTRIES, INC. and bearing a TRAVIS INDUSTRIES, INC. label of approval.
- Any statement or representation of DaVinci products and their performance contained in DaVinci advertising, packaging literature, or printed material is not part of this 7-year warranty.
- This warranty is automatically voided if the appliance's serial number has been removed or altered in any way.
- No dealer, distributor, or similar person has the authority to represent or warrant DaVinci products beyond the terms contained within this warranty. TRAVIS INDUSTRIES, INC. assumes no liability for such warranties or representations.
- TRAVIS Industries will not cover the cost of the removal or re-installation of hearths, facing, mantels, venting, or other components.
- If for any reason any section of this warranty is declared invalid, the balance of the warranty remains in effect and all other clauses shall remain in effect.
- THIS 7-YEAR WARRANTY IS THE ONLY WARRANTY SUPPLIED BY TRAVIS INDUSTRIES, INC., THE MANUFACTURER OF THE APPLIANCE. ALL OTHER WARRANTIES, WHETHER EXPRESS OR IMPLIED, ARE HEREBY EXPRESSLY DISCLAIMED AND THE PURCHASER'S RECOURSE IS EXPRESSLY LIMITED TO THE WARRANTIES SET FORTH HEREIN.**

IF WARRANTY SERVICE IS NEEDED:

- If you discover a problem that you believe is covered by this warranty, you MUST REPORT it to your DaVinci dealer WITHIN 30 DAYS, giving them proof of purchase, the purchase date, and the model name and serial number.
- TRAVIS INDUSTRIES, INC. has the option of either repairing or replacing the defective component.

Air Shutter Adjustment	53	Installing the TouchSmart Controller	35
Alternate Blower Inlet Locations	16	Listing Details.....	2
Altitude Considerations	38	Location of Controls	74
Approved Vent	38	LP Conversion Instructions.....	66
Approved Vent Configurations	40	Mantel Requirements.....	48
Before You Begin	73	Massachusetts Approval.....	2
Bulb Replacement	77	Massachusetts Requirements	13
Clearances	15	Minimum Framing Dimensions	21
CoolSmart TV (Optional).....	80	National Fireplace Institute	2
Crushed Glass Installation	65	Overview	2
Diffuser Plate Adjustment.....	40	Packing List.....	7
Dimensions	8	Pilot Fuel Conservation Timer	75
Electrical Connection	31	Removing the Fireplace from the Pallet	14
Exhaust Restrictors	41	Replacement Parts List.....	78
Facing Requirements.....	46	Restrictor Position.....	40
Fireback Installation	55	Safety Warnings.....	4
Fireplace Placement Requirements.....	15	Starting the Heater for the First Time	73
Fuel	30	Steps for Finalizing the Installation	52
Gas Inlet Pressure	30	Termination Requirements	45
Gas Line Connection	30	TouchSmart Mounting Box	36
Gas Line Requirements	30	Vent Clearances	38
Glass Cleaning.....	76	Vent Firestop	38
Glass Pane Installation	49	Vent Installation	39
Hearth Requirements.....	19	Vent Requirements	38
Heating Specifications.....	6	Ventilated Chase Requirement.....	17
Horizontal Termination Exhaust Shield	39	Vinyl Flooring Recommendations.....	19
Important Considerations for Framing	20	Wiring Diagram	79
Installation Options.....	6	Yearly Service Procedure	76
Installation Overview	6		