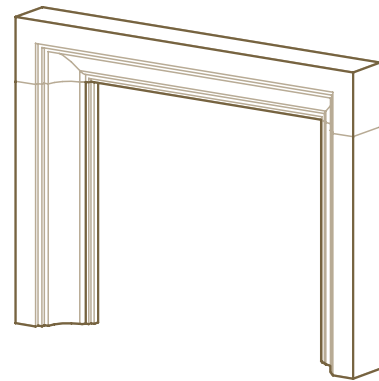
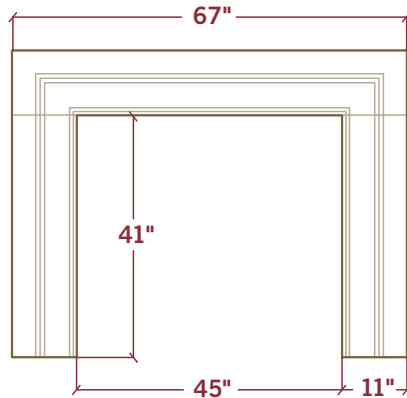
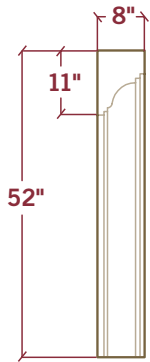


D I M E N S I O N S



All
Fireplace Surrounds
Ship Complete with the
Following Contents:

- Stone Mantel & Legs
- Ledger Board & Screws
for Easy Install
- 3 Trim Panels with
"matching color/finish"
- Large Tube of
Color-Matched Caulking
- 3 oz Bottle of Color Wash
for Touch-Ups
- Large Tube of Adhesive
- Shims

Each Surround Ships Pre-Sealed

Trim Panels: 1 @ 5" x 45" & 2 @ 5" x 36"



The pleasing blend of clean lines and finite details invite this surround into both contemporary and transitional settings. The 8" monolithic depth gives way to deeply carved and symmetrical properties.

Please contact us at (877) 531-9867 for any questions regarding a Fireplace Surround.

Our experienced team can assist you with questions ranging from product information, installation and design recommendations. We also encourage you to explore our website at www.amsfireplace.com