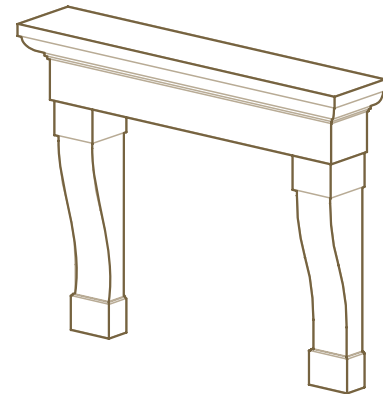
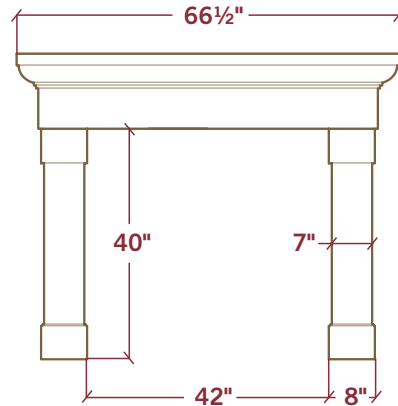
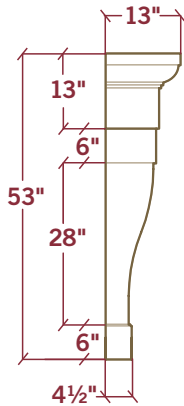


D I M E N S I O N S



All
Fireplace Surrounds
Ship Complete with the
Following Contents:

- Stone Mantel & Legs
- Ledger Board & Screws
for Easy Install
- 3 Trim Panels with
"matching color/finish"
- Large Tube of
Color-Matched Caulking
- 3 oz Bottle of Color Wash
for Touch-Ups
- Large Tube of Adhesive
Shims

Each Surround Ships Pre-Sealed

Trim Panels: 1 @ 5" x 42" & 2 @ 5" x 35"



Like an afternoon walk along a cypress-lined country road, this surround will imbue a sense of rustic Italian charm. The robust 13" deep mantel paired with two gently sloping pilasters completes its distinct presence.

Please contact us at **(877) 531-9867** for any questions regarding a

Fireplace Surround. Our experienced team can assist you with questions ranging from product information, installation and design recommendations. We also encourage you to explore our website at **www.amsfireplace.com**