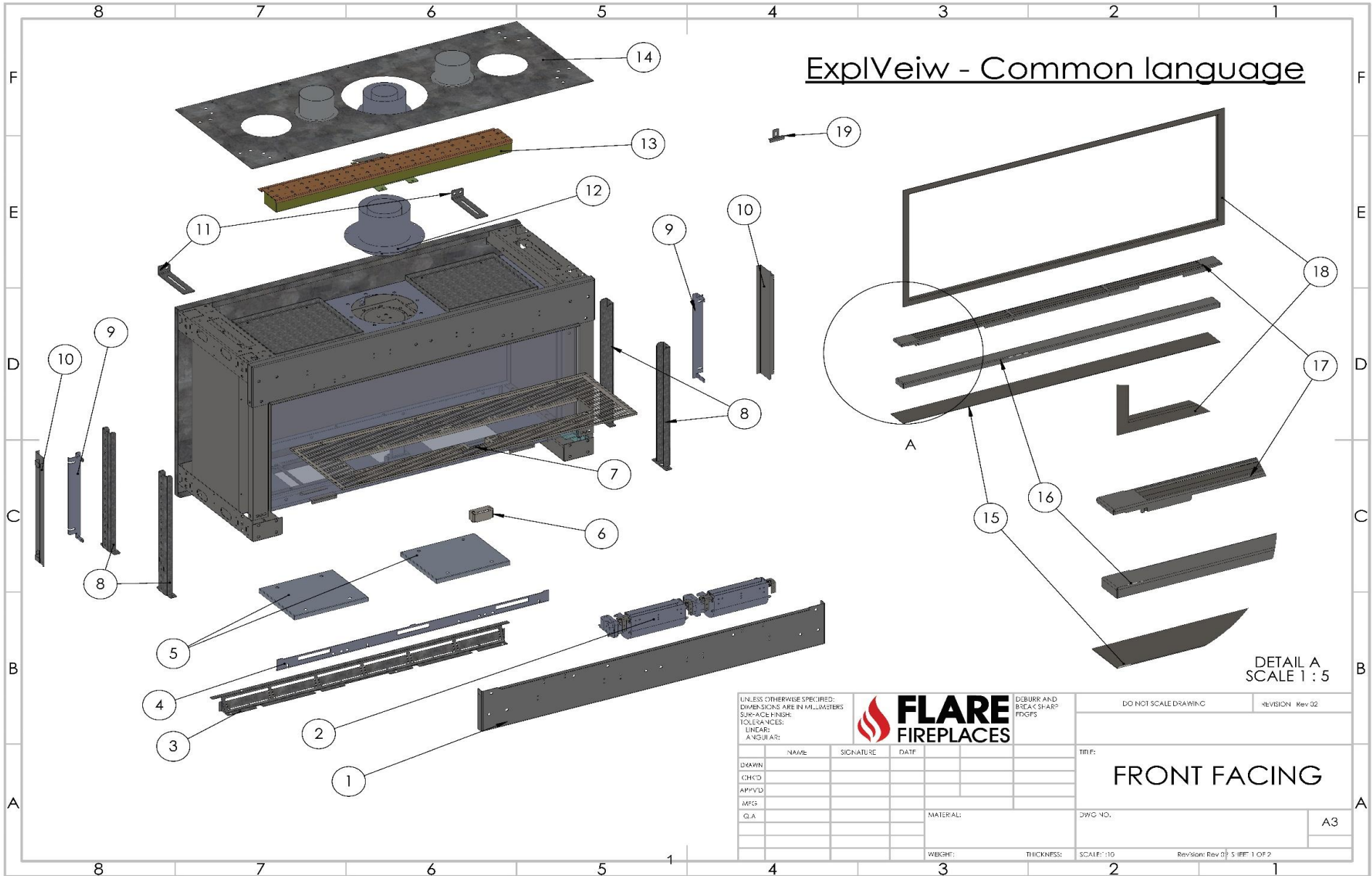


FLARE FIREPLACES | FRONT FACING PARTS VIEW

ExpView - Common language



DETAIL A
SCALE 1:5

UNLESS OTHERWISE SPECIFIED: DIMENSIONS ARE IN MILLIMETERS SURFACE FINISH: TOLERANCES: LINEAR: ANGULAR:					DEBURR AND BREAK SHARP EDGES	
DRAWN	NAME	SIGNATURE	DATE		MATERIAL:	DWG. NO.
CHECKED				WEIGHT:	THICKNESS:	
APPROVED				SCALE: 1:10	Revision: Rev 01 SHEET 1 OF 2	
MFG:						
Q.A.						

DO NOT SCALE DRAWING		REVISION: Rev 02
TITLE: FRONT FACING		
		A3

FLARE FIREPLACES | FRONT FACING PARTS LIST

ITEM #	PART NUMBER	DESCRIPTION	SKU
1	TXXX-05-11	Lower Front Face Frame	TXXX-05-11
2	Fan-Double Glass	8" Double Glass Fan(s)	8DGFAN
3	TXXX-04-11	Holder for LED Strips	TXXX-04-11
	TXXX-04-11-W	Holder for No LED Strips	TXXX-04-11-W
4	RDXXX-01-11	Horizontal Rail Used to Secure Inner Glass to Fireplace Face	RDXXX-01-11
5	TXXX-07	Pressure Valve - Down	TXXX-07
	TXXX-08	Pressure Valve - Up/In	TXXX-08
	TXXX-09	Pressure Valve - Up-Out	TXXX-09
6	G-01-14	Low Profile Pilot Cover	G-01-14
7	TXXX-06	Burner Tray	TXXX-06
8	T-03	Telescopic Legs	T-03
9	G-34-XX	Vertical Rail Used to Secure Inner Glass to Fireplace Face	G-34-XX
10	T-16-XX	Vertical Magnetic Filler Used Between Inner Glass and Safety Barrier to Provide Finished Look.	T-16-XX
11	G-02	Stabilization Brackets	G-02
12	35CVS-AD-FL 46DVA-AD-FL 58DVA-AD-FL	Vent Adapter: 3x5, 4x6, 5x8	35CVS-AD-FL, 46DVA-AD-FL, 58DVA-AD-FL
13	BURNER-XX	Burner 14, Burner 21, Burner 31, Burner 40	BURNXX
14	SKCOVER-XX	Summer Kit Cover	SKCOVERXX
15	TXXX-Filler-73	Screen Replacement Trim Filler (DISCONTINUED)	TXXX-Filler-73
16	CXXX-10-11-S	Horizontal Filler Used on Screen Equipped Fireplaces.	CXXX-10-11-S
17	CXXX-10-11	Horizontal Filler Used on Double Glass Equipped Fireplaces	CXXX-10-11
18	T-XXX-Trim	Frame Trim (DISCONTINUED)	T-XXX-Trim
19	G-22	Reflective Back holder	G-22

X REPRESENTS WHERE YOU'LL NEED TO SPECIFY GLASS HEIGHT, FIREPLACE LENGTH OR STYLE