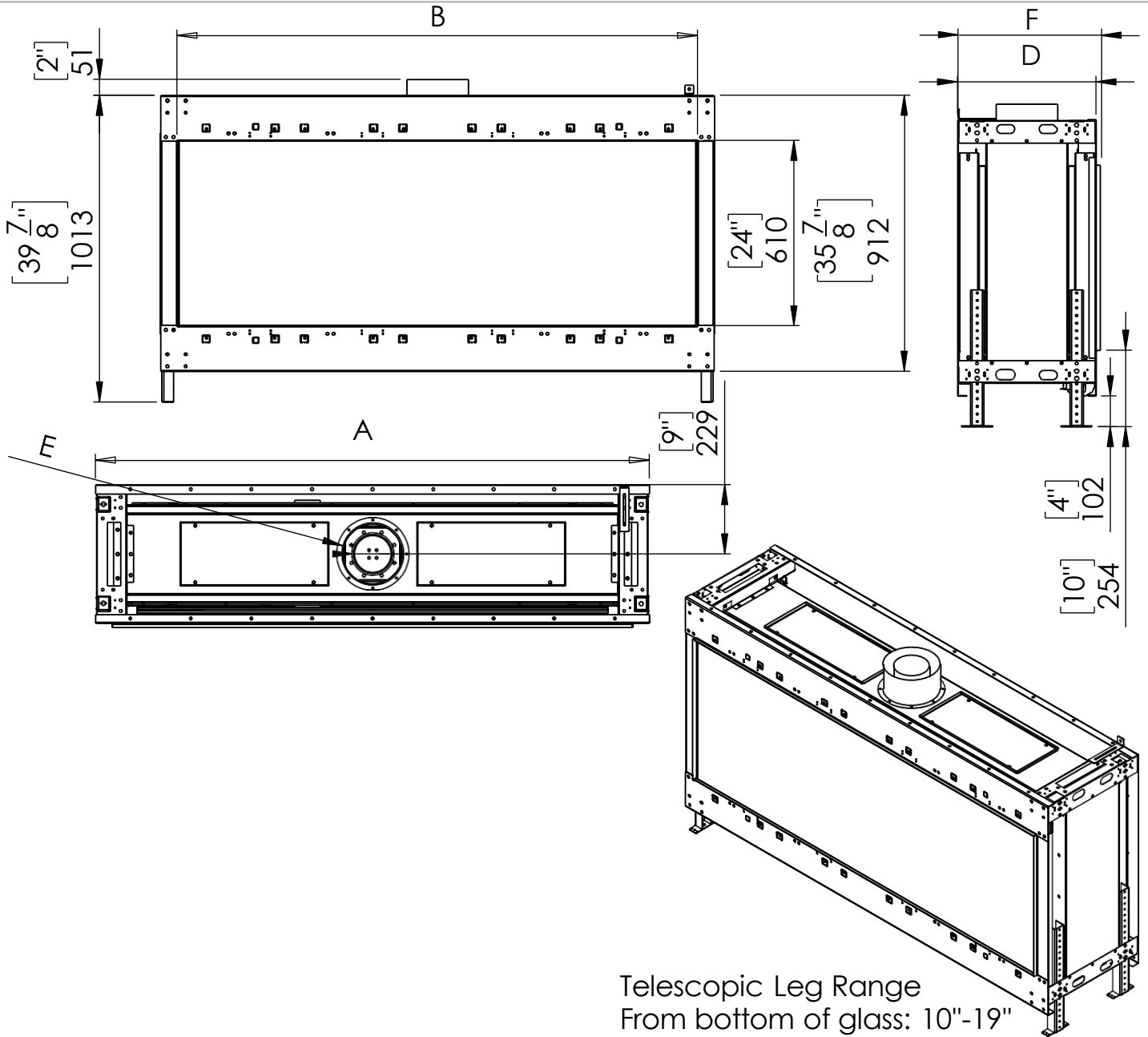
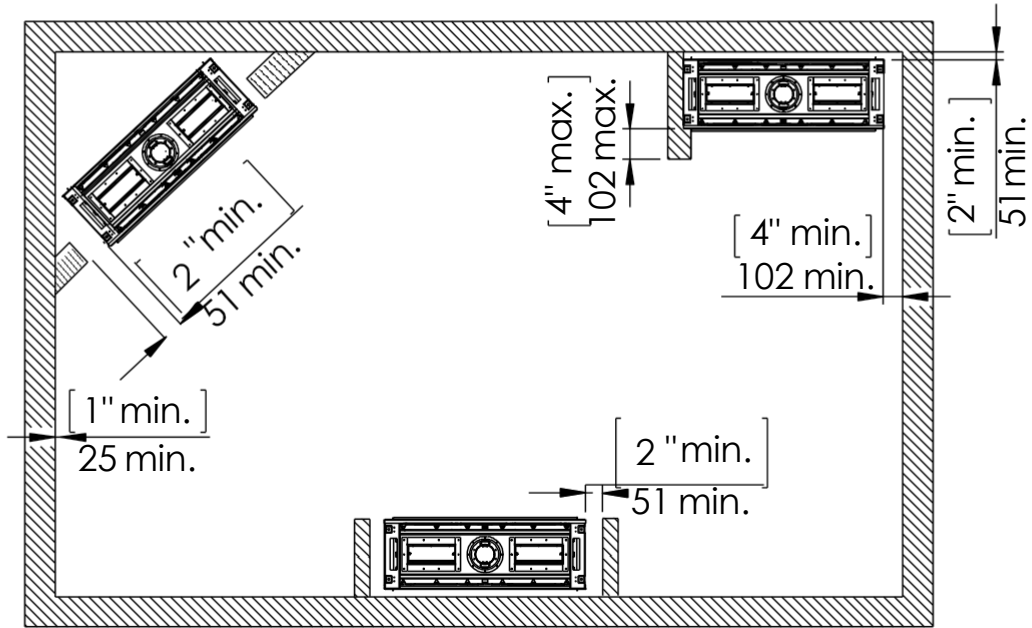


Fireplace Dimensions



Model	30	45	50	60	70	80	100
A- Inch	32 10/16	45 9/16	52 5/16	62 2/16	72 3/16	84 9/16	101 8/16
B- Inch	28 5/16	41 5/16	48	57 13/16	67 11/16	80 1/16	97 3/16
F- Inch	18 9/16	18 9/16	18 9/16	18 9/16	18 9/16	18 9/16	18 9/16
D- Inch	18 1/16	18 1/16	18 1/16	18 1/16	18 1/16	18 1/16	18 1/16
E- Inch	4x6	4x6	5x8	5x8	5x8	5x8	5x8

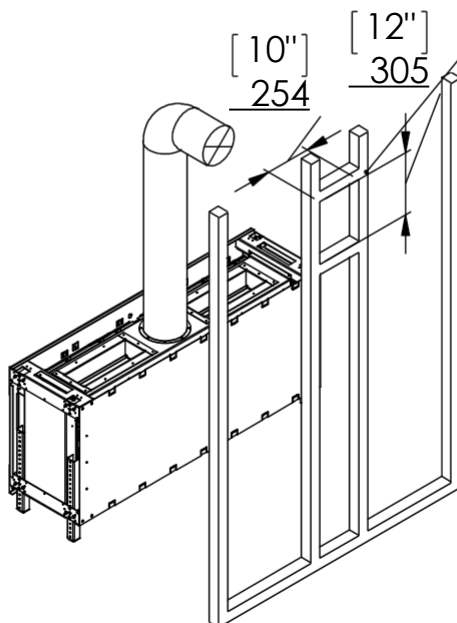
Clearances below are to non-combustible materials.



Chimney Installation

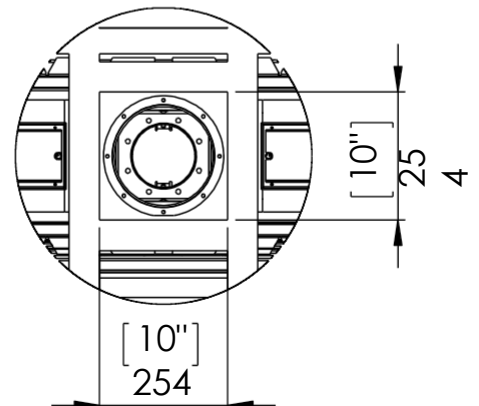
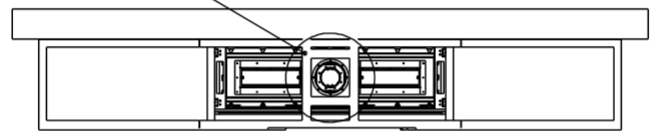
Horizontal Termination

For 5 x 8 vent size create 10" x 12" vent termination opening

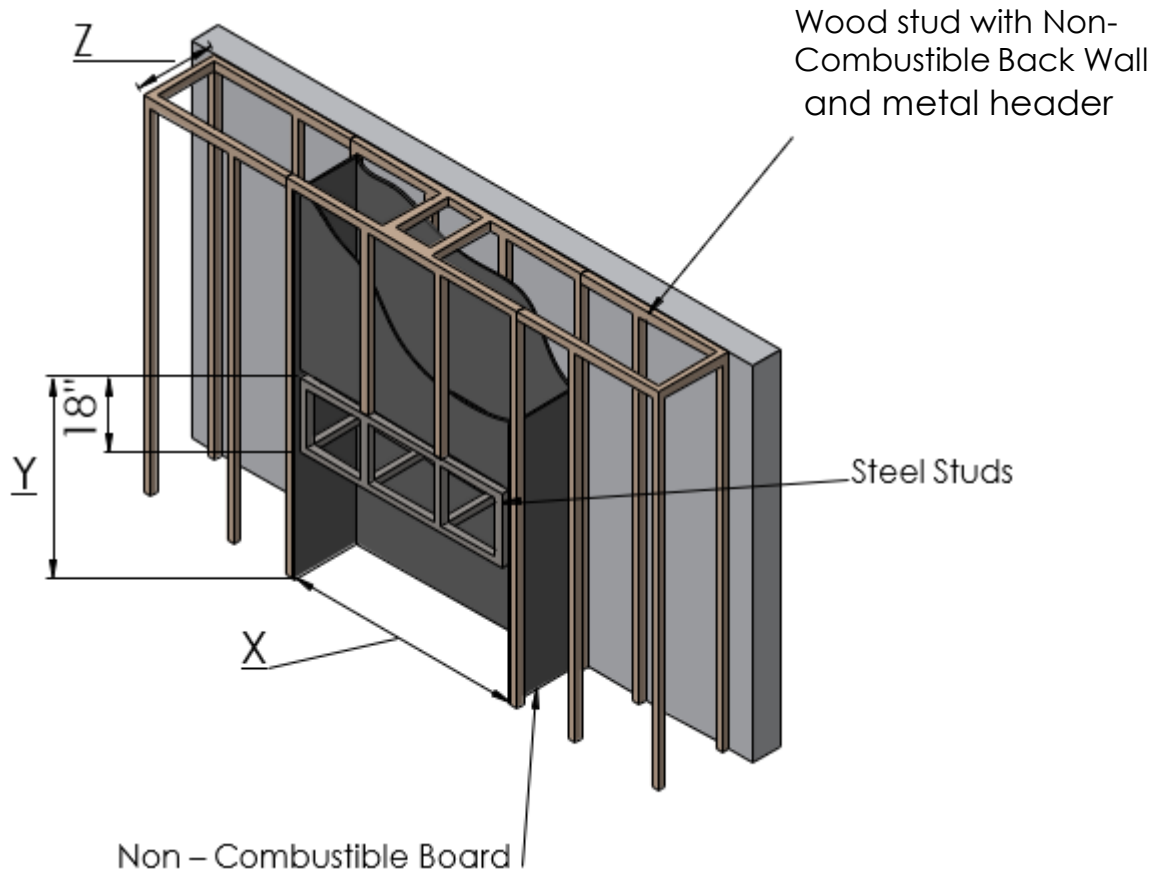


Vertical Termination

For 5 x 8 vent size create 10" x 10" vent termination opening



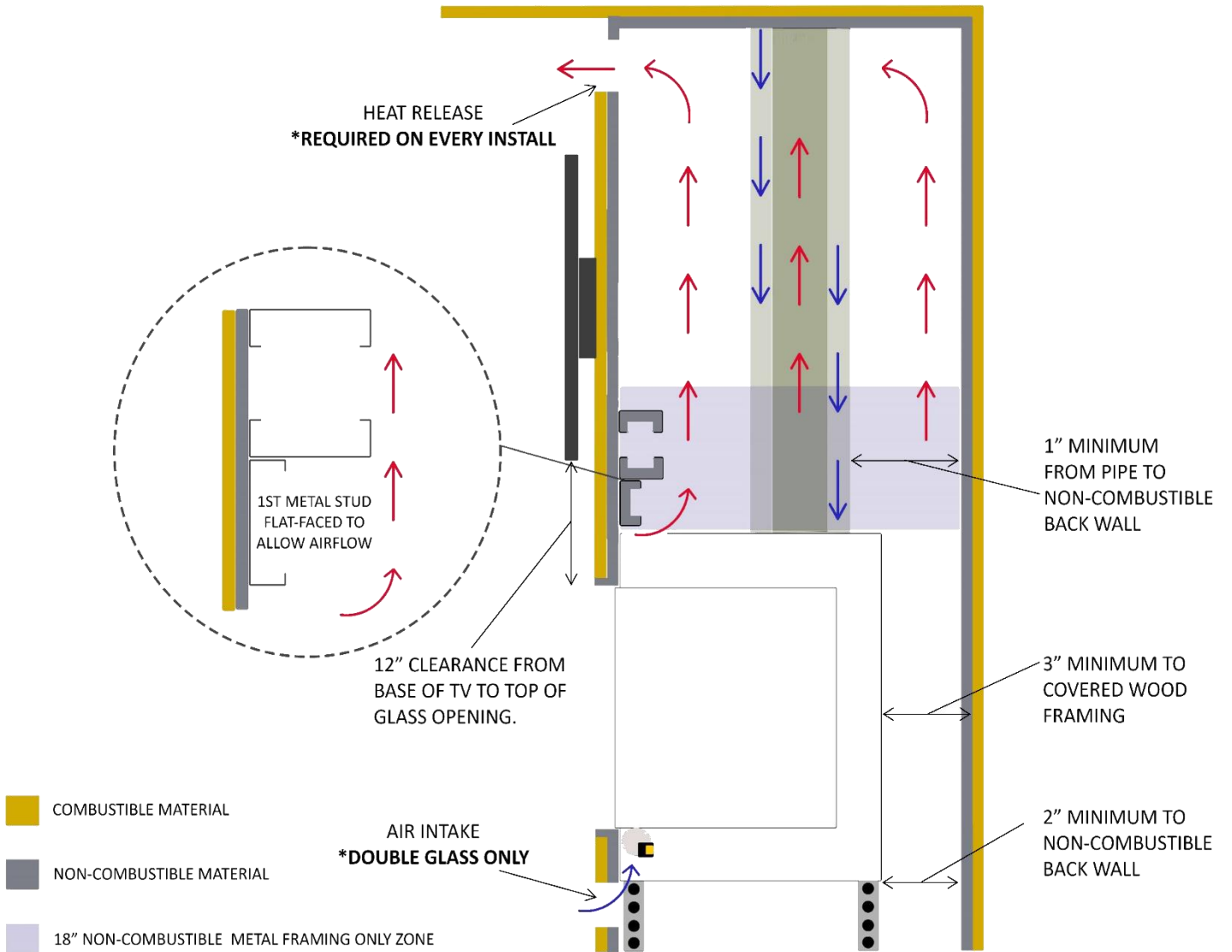
Wood Framing Dimensions



NOTE: Dimension 'Y' uses legs at default lowest height 4" below the unit with glass beginning 10" above the floor. Increase leg height and Y dimension for higher viewing window.

		X	Y	Z	
				Flat Installation	Recess Installation (4" Max)
30	Inch	38 ¹⁰ / ₁₆	58 ⁶ / ₁₆	21 ¹ / ₁₆	25 ¹ / ₁₆
	mm	981	1483	535	637
45	Inch	51 ⁹ / ₁₆	58 ⁶ / ₁₆	21 ¹ / ₁₆	25 ¹ / ₁₆
	mm	1294	1483	535	637
50	Inch	58 ⁵ / ₁₆	58 ⁶ / ₁₆	21 ¹ / ₁₆	25 ¹ / ₁₆
	mm	1481	1483	535	637
60	Inch	68 ² / ₁₆	58 ⁶ / ₁₆	21 ¹ / ₁₆	25 ¹ / ₁₆
	mm	1730	1483	535	637
70	Inch	78 ³ / ₁₆	58 ⁶ / ₁₆	21 ¹ / ₁₆	25 ¹ / ₁₆
	mm	1986	1483	535	637
80	Inch	90 ⁹ / ₁₆	58 ⁶ / ₁₆	21 ¹ / ₁₆	25 ¹ / ₁₆
	mm	2300	1483	535	637
100	Inch	107 ⁸ / ₁₆	58 ⁶ / ₁₆	21 ¹ / ₁₆	25 ¹ / ₁₆
	mm	2731	1483	535	637

WOOD FLAT - SIDE VIEW



CLEARANCES TO SIDE AND BACK

