



FLARE FIREPLACES



GAS
DIRECT
VENT

FRAMELESS LINEAR MODERN



ABOUT

Flare Fireplaces merges contemporary, ergonomic design with practicality and efficiency. Whether you're looking for a stunning centerpiece or a heating unit for your home or business, Flare is your one stop source for high-end fireplaces that can do it all.

Our frameless, linear, direct-vent fireplaces are made to the highest quality and safety standards. Flare Fireplaces offers simple installation and maximum flexibility with over 80 different models and extensive options. Choose from 6 different types of fireplace, each ranging from 30 to 100 inches long and either 16, 24, or 30-inch glass height. Enjoy your Flare for years to come, as all of our models come with a 10-year warranty.

CONTENTS

3-4	Key Features
5	Optional Features
6	Home Automation
7	Power Vent
8	Commercial Line
9	Summer Kit
10	Outdoor Kit
11-12	Decorative Media
13-14	Front Facing
15-16	See Through
17-18	Right Corner
19-20	Left Corner
21-22	Double Corner
23-24	Room Definer
25-28	Passage
29	Picture Key

KEY FEATURES



STYLE CHARACTERISTICS

Seven different presentations, each from 30-100 inches long.¹

Standard 16-inch glass height or 24-inch High Glass option available for all models.²

Frameless design.

Residential and commercial use.



COOL TOUCH WALL DESIGN

All of our models are designed so surrounding walls stay relatively cool, allowing you to hang a TV or art piece closer to the fireplace with less insulation to save you time, money, and effort.



EASY INSTALL AND SERVICE

Telescopic Legs let you easily plan and adjust the fireplace height.

Easy access to the vent restrictor and air shutter allows quick calibration of flame height & color.

Smoke free paint with no burn period.

BURNERS AND GAS

3D Stainless Steel burners give more depth to the flame. The multiple burner system allows the flame to extend closer to the edges.

Electronic Ignition.

Power Adapter and Battery Backup.

Natural Gas or Propane.



CERTIFICATES AND COMPLIANCE

Complying with North American standards³ as well as state requirements in CA, MA, and NY.

High Efficiency ratings.

Certified for use with DuraVent 3x5, 4x6, or 5x8 direct vents.⁴



QUALITY AND COMFORT

Compatible with home automation systems.

Advanced programmable remote control.

Easy to use touch wall switch.

Classic Decorative Media included.

10 year warranty.



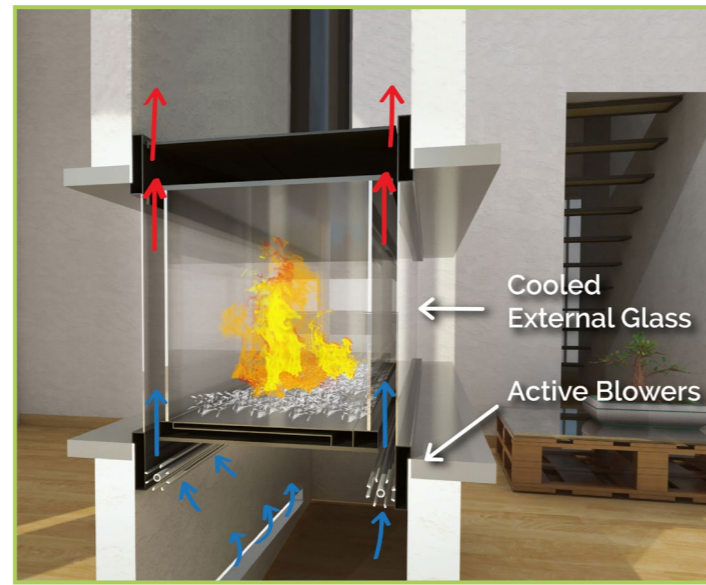
¹Room Definer from 45 to 100 inches. ²All 30 inch fireplace models come with 24-inch high glass.

³ANSI Z21.88 - CSA 2.33 Vented Gas Fireplace Heaters.

OPTIONAL FEATURES

DOUBLE GLASS

Cooled external glass serves as a sleek safety barrier while maintaining the same heat output and efficiency. Frameless corners allow a clear view to the flames. Power venting not required. Suitable for residential and commercial use alike.



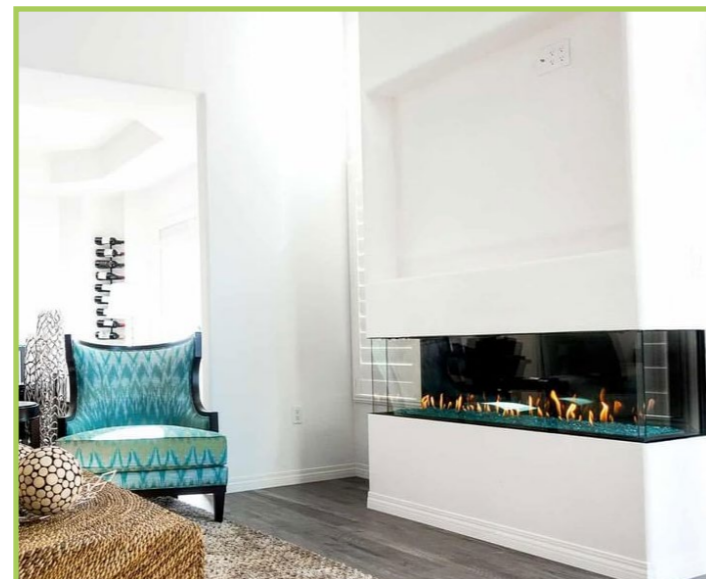
LED LIGHTING

Available in a radiant multi-colored option. Remote included.



REFLECTIVE BACK

Let the flames stand out against a black-mirrored ceramic glass background, adding amazing depth to any unit.



WALL TIMER

Simple wall-mounted timer. Available in digital or analog.

TRIM COVER

For a clean surface from the glass to surrounding finish.

CUSTOM UNITS

Custom lengths and heights for special projects.

HOME AUTOMATION

You can easily connect your Flare Fireplace to a new or existing home automation hub using our "Home Automation Cable". This modern feature allows control of your fireplace, from a centralized Home Automation Hub.



POWER VENT

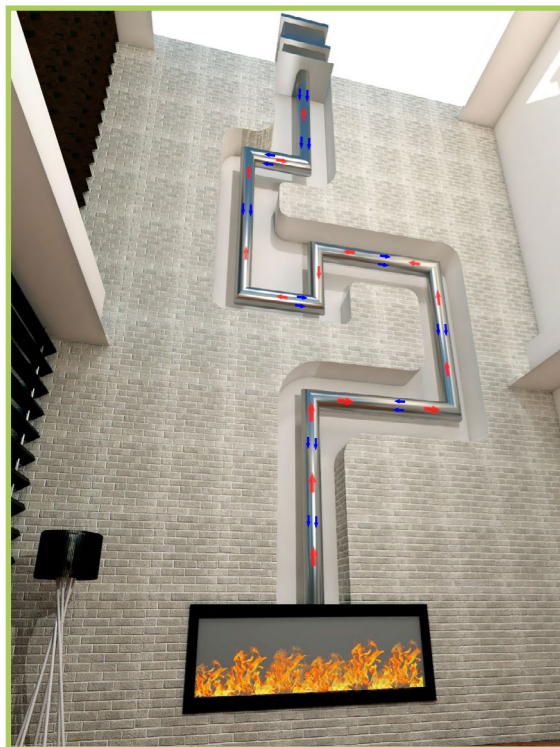
IN-LINE SYSTEM

The in-line Power Vent allows vent runs of up to 100 feet. Designed for downward or extremely long horizontal runs. The system uses DuraVent 3x5 vents.



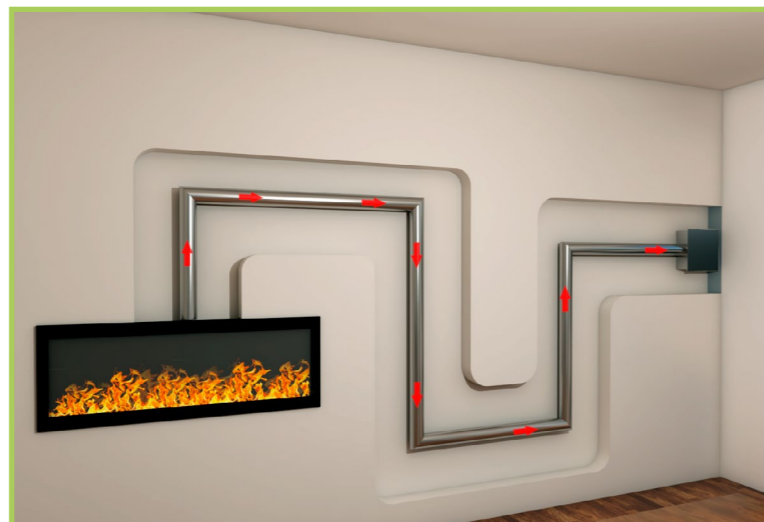
END-OF-LINE VERTICAL

The End of Line Vertical Power Vent allows vent runs of up to 100 feet, and is designed for installation of your fan motor on the roof of the exterior portion of your build. The system uses DuraVent 3x5 vents.



FLUSH END-OF-LINE HORIZONTAL

The End of Line Horizontal Power Vent sits flush against your external wall. It allows vent runs of up to 100 feet. Designed for downward or extremely long horizontal runs. The system uses DuraVent 3x5 vents.



COMMERCIAL LINE

Flare Fireplaces are perfect commercial use whether indoors or out. The taller glass option increases the viewing angle and the Double Glass feature comes standard for extra safety. Also included is a commercial grade gas valve so you can be confident Flare will integrate flawlessly into your restaurant, hotel, or local business.



SUMMER KIT

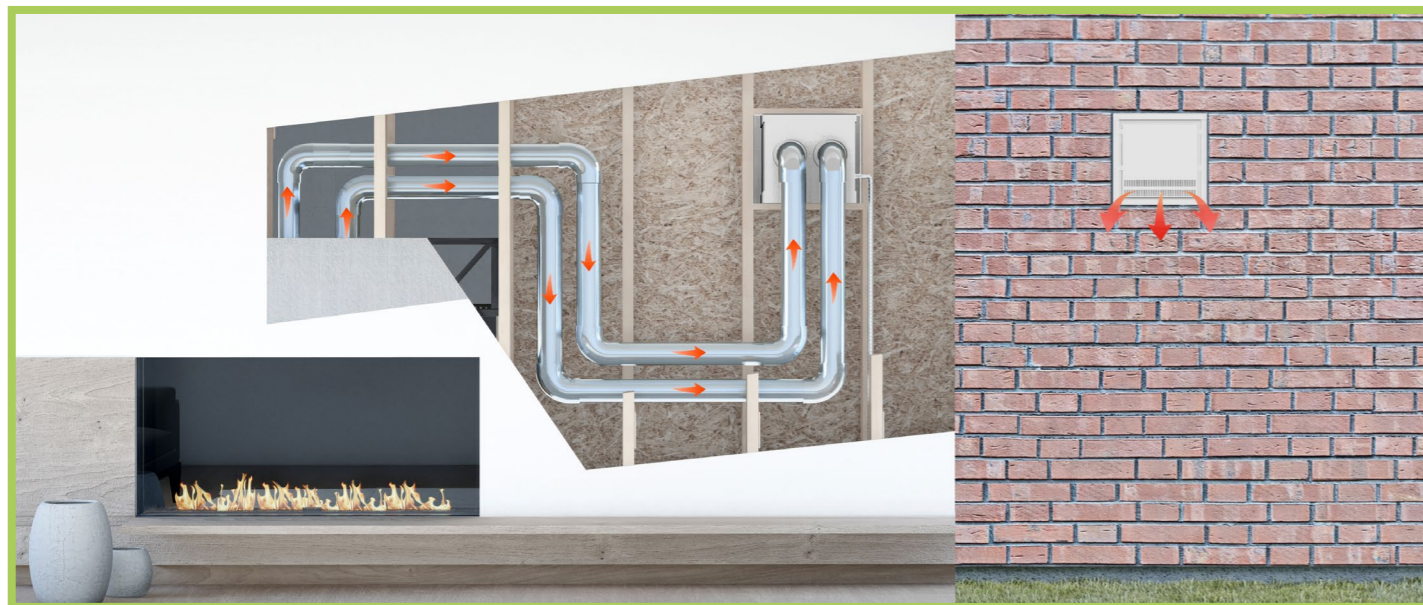
The Flare Inline Summer Kit System

The perfect solution for moving heat from your fireplace chase to any outdoor termination point. Using flex pipe you can effectively run the heat your fireplace creates up to 80 feet, terminating on an exterior sidewall, allowing for operation of the fireplace without the heat it produces during the summer months.



The Flare End of Line Summer Kit System

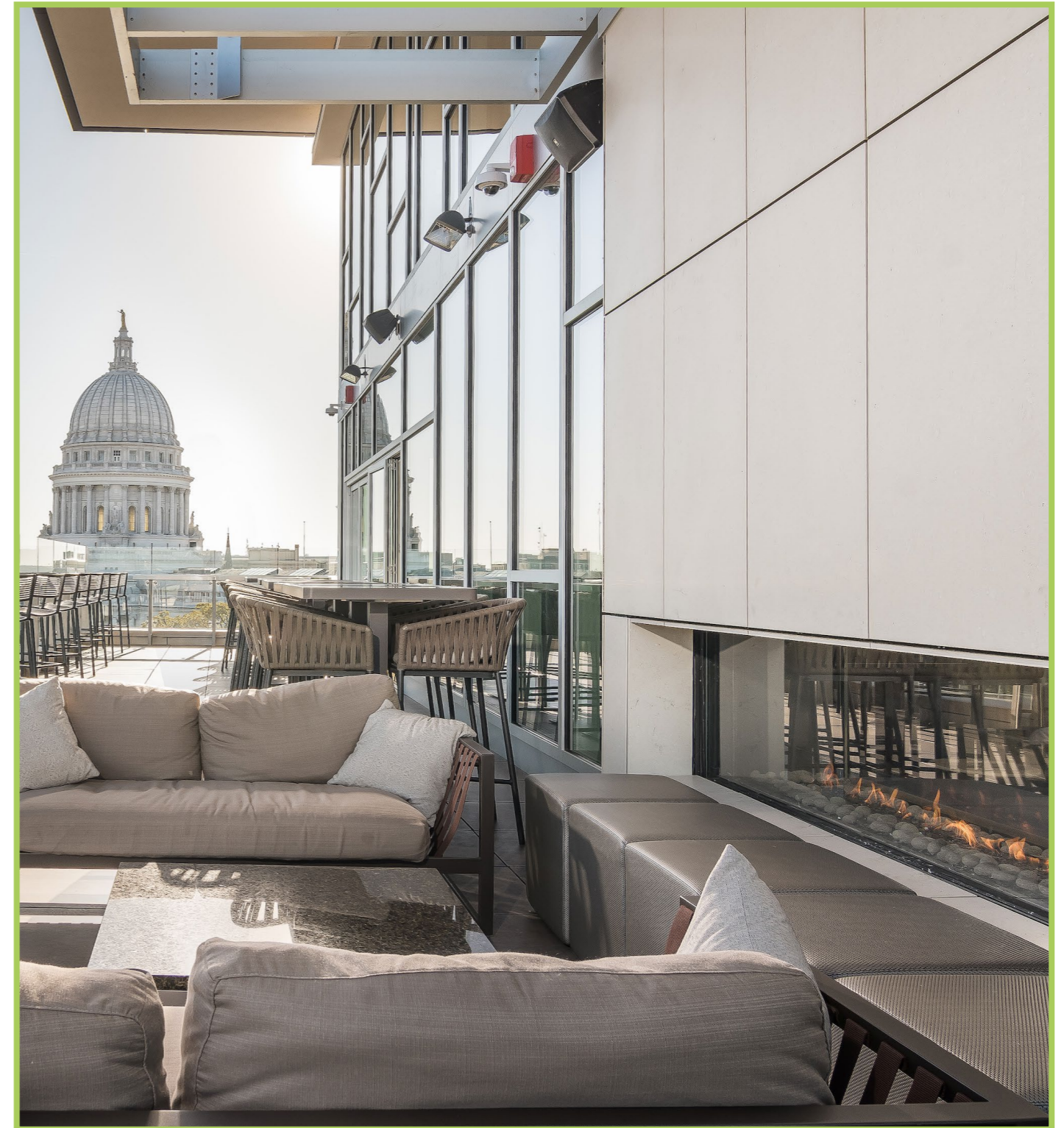
This secondary option in our Summer Kit lineup opens up even more possibilities for installation across a wider array of projects. By offering an end of line horizontal termination you no longer have to worry about where to place the Summer Kit fan for service. You also reduce the noise level by allowing the installation of the fan to be further away from the fireplace.



OUTDOOR KIT

The Flare Outdoor Kit provides the freedom to enjoy a Flare Fireplace in your favorite setting. Use a Front Facing unit as the perfect centerpiece for your relaxing outside patio, or install the See Through Fireplace on an external wall for a unique, multi-purpose window.

Our specially designed weatherproof kit comes with the same 10 year warranty as the rest of our line.



DECORATIVE MEDIA



Reflective Silver Fireglass



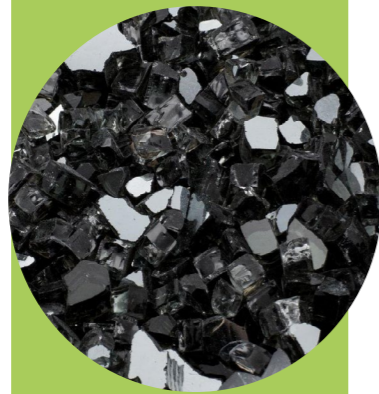
Reflective Bronze Fireglass



Reflective Ice Fireglass



Clear Fireglass



Black Fireglass



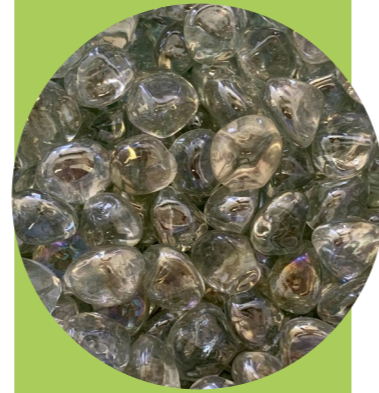
Gold Fireglass



Chestnut FireGlass



Black Zircon Diamonds



Raindrop Diamonds



White Ceramic Pebbles



Black Ceramic Pebbles



Mixed-size Earth Pebbles



Cottage White Stones



Cape Grey Stone Balls Mix



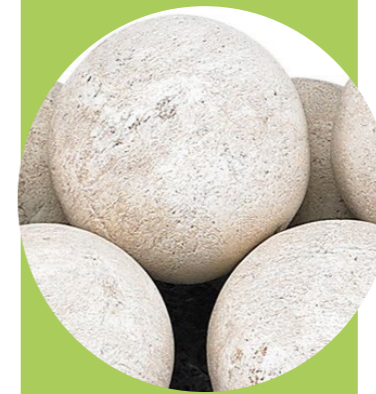
Tan Wood Chips



Ceramic Branches



Premium Black Stones



White Stone Balls



Black Wood Chips



Birchwood



Mixed Stone Balls



Black Stone Balls



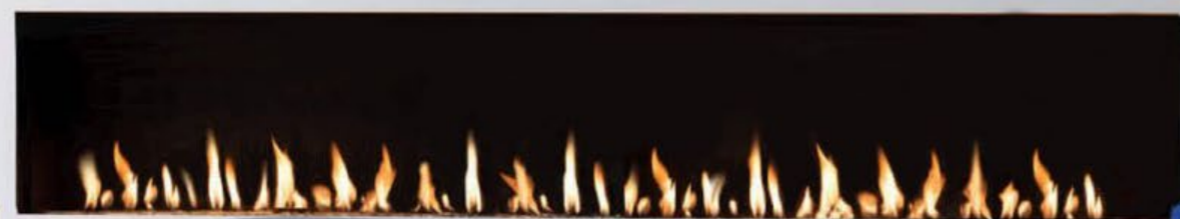
Ceramic Gas Logs



Driftwood

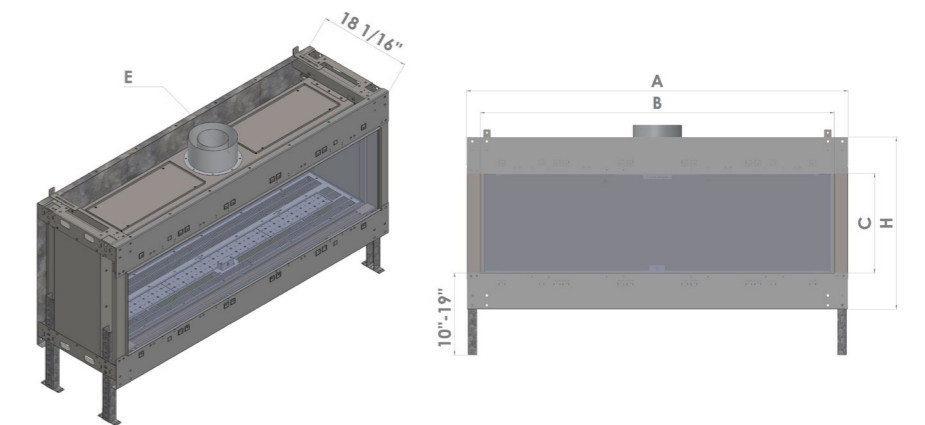
FRONT FACING

Ideal for modern and contemporary rooms, replacing an existing fireplace or as a new installation. Available in three different glass heights and widths ranging from 30 to 100 inches, giving a sleek linear look. Indoor & outdoor options available.



SPECIFICATIONS

Model	BTU/hr (max)	BTU/hr (min)	Efficiency
Flare-FF-100/H/EH	60,000	32,500	80.3%
Flare-FF-80/H/EH	55,700	31,000	79.7%
Flare-FF-70/H/EH	52,200	28,000	79.8%
Flare-FF-60/H/EH	50,000	28,000	79.2%
Flare-FF-50/H/EH	47,000	22,750	79.3%
Flare-FF-45/H/EH	36,800	22,000	79.2%
*Flare-FF-30	34,000	18,500	79.5%



Model	A	B	C	H	E
Flare-FF-100	101 8/16	97 3/16	16	28	5x8
Flare-FF-80	84 9/16	80 1/16	16	28	5x8
Flare-FF-70	71 15/16	67 11/16	16	28	5x8
Flare-FF-60	62 2/16	57 13/16	16	28	5x8
Flare-FF-50	52 5/16	48	16	28	5x8
Flare-FF-45	45 9/16	41 5/16	16	28	4x6
*Flare-FF-30	32 10/16	28 5/16	*24	35 14/16	4x6
Flare-FF-100-H	101 8/16	97 3/16	24	35 14/16	5x8
Flare-FF-80-H	84 9/16	80 1/16	24	35 14/16	5x8
Flare-FF-70-H	71 15/16	67 11/16	24	35 14/16	5x8
Flare-FF-60-H	62 2/16	57 13/16	24	35 14/16	5x8
Flare-FF-50-H	52 5/16	48	24	35 14/16	5x8
Flare-FF-45-H	45 9/16	41 5/16	24	35 14/16	4x6
Flare-FF-100-EH	101 8/16	97 3/16	30	42 1/8	5x8
Flare-FF-80-EH	84 9/16	80 1/16	30	42 1/8	5x8
Flare-FF-70-EH	71 15/16	67 11/16	30	42 1/8	5x8
Flare-FF-60-EH	62 2/16	57 13/16	30	42 1/8	5x8
Flare-FF-50-EH	52 5/16	48	30	42 1/8	5x8
Flare-FF-45-EH	45 9/16	41 5/16	30	42 1/8	4x6

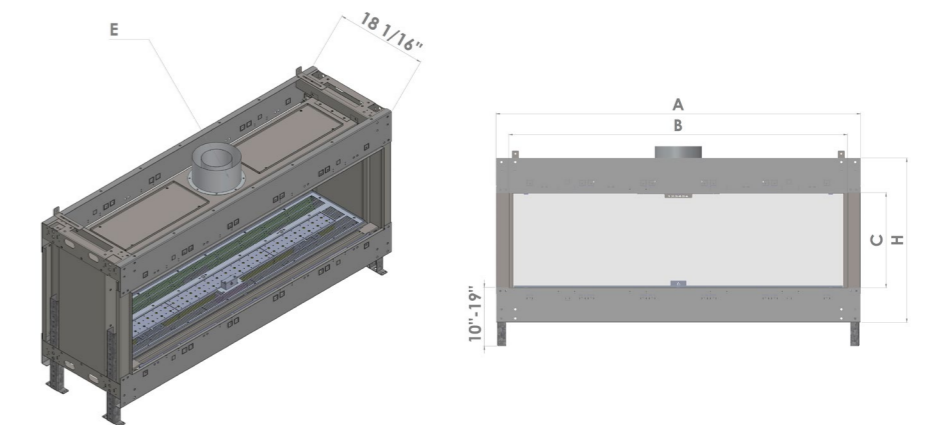
SEE THROUGH

Stylish, minimalist design that allows fireplace viewing from two adjacent rooms. Available in three different glass heights: 16", 24", and 30". Available for indoor and outdoor, perfect for mounting a TV above.



SPECIFICATIONS

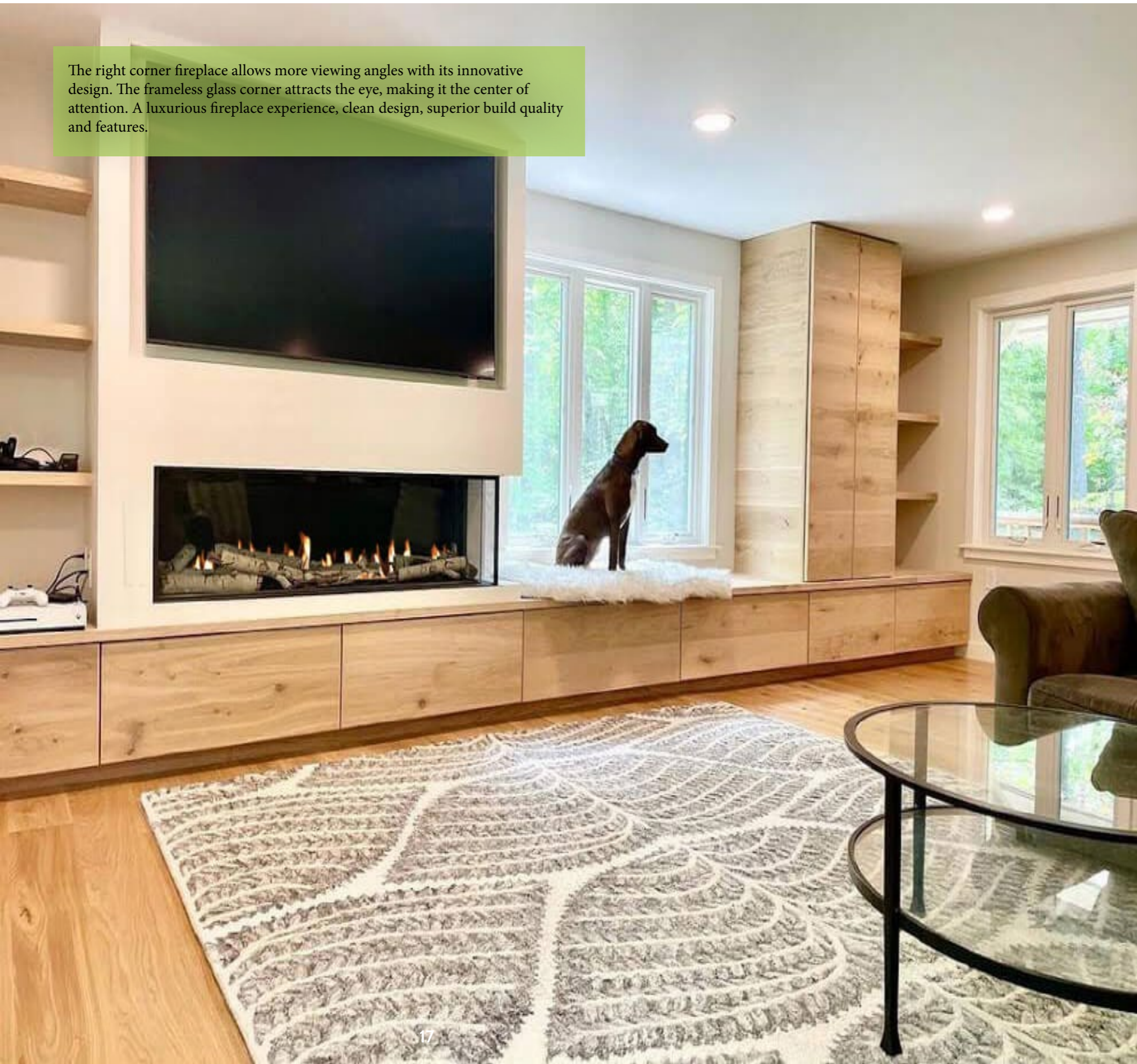
Model	BTU/hr (max)	BTU/hr (min)	Efficiency
Flare-ST-100/H/EH	60,000	32,500	80.1
Flare-ST-80/H/EH	55,700	31,000	79.6
Flare-ST-70/H/EH	52,200	28,000	79.4
Flare-ST-60/H/EH	50,000	28,000	79.6
Flare-ST-50/H/EH	47,000	22,750	79.9
Flare-ST-45/H/EH	36,800	22,000	79.2
*Flare-ST-30	34,000	18,500	79.5



Model	A	B	C	H	E
Flare-ST-100	101 8/16	97 3/16	16	28	5x8
Flare-ST-80	84 9/16	80 1/16	16	28	5x8
Flare-ST-70	71 15/16	67 8/16	16	28	5x8
Flare-ST-60	62 2/16	57 13/16	16	28	5x8
Flare-ST-50	52 5/16	48	16	28	5x8
Flare-ST-45	45 9/16	41 5/16	16	28	4x6
*Flare-ST-30	32 10/16	28 5/16	*24	35 14/16	4x6
Flare-ST-100-H	101 8/16	97 3/16	24	35 14/16	5x8
Flare-ST-80-H	84 9/16	80 1/16	24	35 14/16	5x8
Flare-ST-70-H	71 15/16	67 8/16	24	35 14/16	5x8
Flare-ST-60-H	62 2/16	57 13/16	24	35 14/16	5x8
Flare-ST-50-H	52 5/16	48	24	35 14/16	5x8
Flare-ST-45-H	45 9/16	41 5/16	24	35 14/16	4x6
Flare-ST-100-EH	101 8/16	97 3/16	30	42 1/8	5x8
Flare-ST-80-EH	84 9/16	80 1/16	30	42 1/8	5x8
Flare-ST-70-EH	71 15/16	67 8/16	30	42 1/8	5x8
Flare-ST-60-EH	62 2/16	57 13/16	30	42 1/8	5x8
Flare-ST-50-EH	52 5/16	48	30	42 1/8	5x8
Flare-ST-45-EH	45 9/16	41 5/16	30	42 1/8	4x6

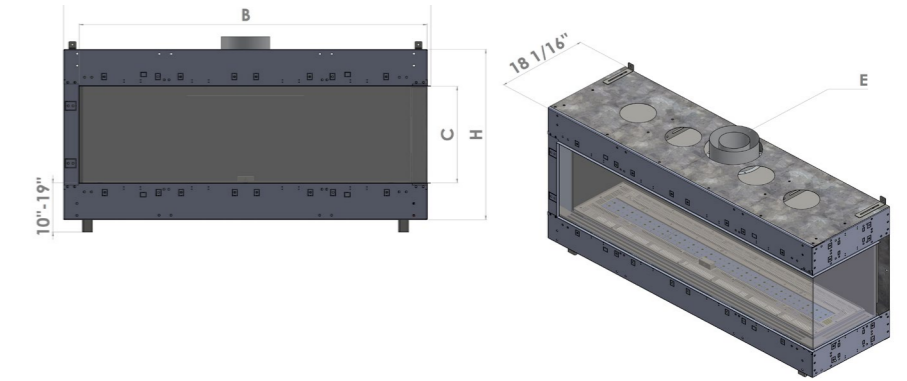
RIGHT CORNER

The right corner fireplace allows more viewing angles with its innovative design. The frameless glass corner attracts the eye, making it the center of attention. A luxurious fireplace experience, clean design, superior build quality and features.



SPECIFICATIONS

Model	BTU/hr (max)	BTU/hr (min)	Efficiency
Flare-RC-100/H	60,000	32,500	80.5
Flare-RC-80/H	55,700	31,000	80.2
Flare-RC-70/H	52,200	28,000	79.9
Flare-RC-60/H	50,000	28,000	79.8
Flare-RC-50/H	47,000	22,750	79.8
Flare-RC-45/H	36,800	22,000	79.7
*Flare-RC-30	34,000	18,500	79.4



Model	A	B	C	H	E
Flare-RC-100	100	97 3/16	16	28	5x8
Flare-RC-80	83 1/16	80 4/16	16	28	5x8
Flare-RC-70	70 8/16	67 10/16	16	28	5x8
Flare-RC-60	60 10/16	57 13/16	16	28	5x8
Flare-RC-50	50 13/16	47 15/16	16	28	5x8
Flare-RC-45	44 2/16	41 4/16	16	28	4x6
*Flare-RC-30	31 2/16	28 3/16	*24	35 14/16	4x6
Flare-RC-100-H	100	97 3/16	24	35 14/16	5x8
Flare-RC-80-H	83 1/16	80 4/16	24	35 14/16	5x8
Flare-RC-70-H	70 8/16	67 10/16	24	35 14/16	5x8
Flare-RC-60-H	60 10/16	57 13/16	24	35 14/16	5x8
Flare-RC-50-H	50 13/16	47 15/16	24	35 14/16	5x8
Flare-RC-45-H	44 2/16	41 4/16	24	35 14/16	4x6

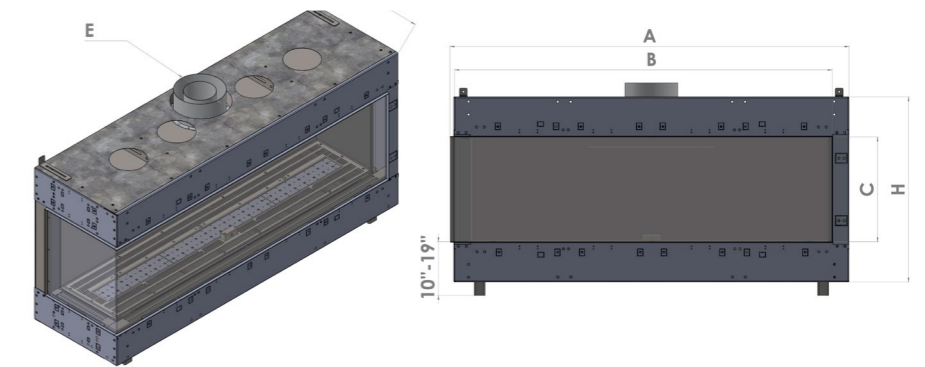
LEFT CORNER

The left corner fireplace allows more viewing angles with its innovative design. The frameless glass corner attracts the eye, making it the center of attention. A luxurious fireplace experience, clean design, superior build quality and features.



SPECIFICATIONS

Model	BTU/hr (max)	BTU/hr (min)	Efficiency
Flare-LC-100/H	60,000	32,500	80.5
Flare-LC-80/H	55,700	31,000	80.2
Flare-LC-70/H	52,200	28,000	79.9
Flare-LC-60/H	50,000	28,000	79.8
Flare-LC-50/H	47,000	22,750	79.8
Flare-LC-45/H	36,800	22,000	79.7
*Flare-LC-30	34,000	18,500	79.4



Model	A	B	C	H	E
Flare-LC-100	100	97 3/16	16	28	5x8
Flare-LC-80	83 1/16	80 4/16	16	28	5x8
Flare-LC-70	70 8/16	67 10/16	16	28	5x8
Flare-LC-60	60 10/16	57 13/16	16	28	5x8
Flare-LC-50	50 13/16	47 15/16	16	28	5x8
Flare-LC-45	44 2/16	41 4/16	16	28	4x6
*Flare-LC-30	31 2/16	28 3/16	*24	35 14/16	4x6
Flare-LC-100-H	100	97 3/16	24	35 14/16	5x8
Flare-LC-80-H	83 1/16	80 4/16	24	35 14/16	5x8
Flare-LC-70-H	70 8/16	67 10/16	24	35 14/16	5x8
Flare-LC-60-H	60 10/16	57 13/16	24	35 14/16	5x8
Flare-LC-50-H	50 13/16	47 15/16	24	35 14/16	5x8
Flare-LC-45-H	44 2/16	41 4/16	24	35 14/16	4x6

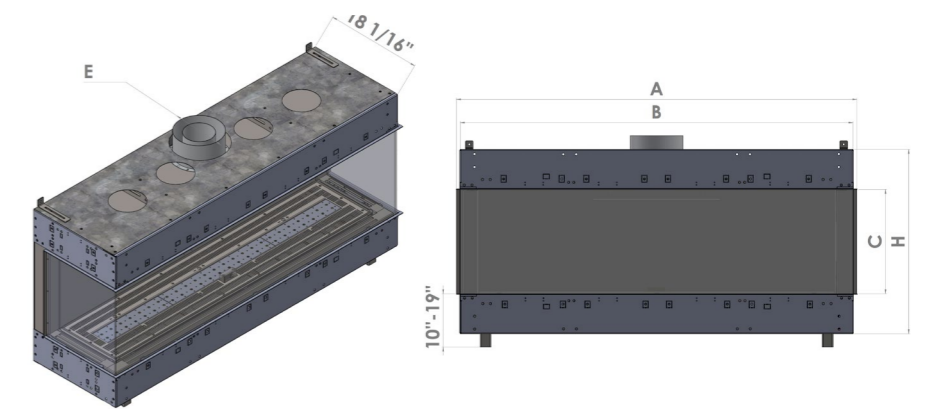
DOUBLE CORNER

An intriguing three-sided view of the fireplace makes the Flare Double Corner exceptionally stylish and practical. The fireplace corners are clean and smooth thanks to Flare's glass to glass technology.



SPECIFICATIONS

Model	BTU/hr (max)	BTU/hr (min)	Efficiency
Flare-DC-100	60,000	32,500	80.5
Flare-DC-80	55,700	31,000	80.2
Flare-DC-70	52,200	28,000	79.9
Flare-DC-60	50,000	28,000	79.8
Flare-DC-50	47,000	22,750	79.8
Flare-DC-45	36,800	22,000	79.7
*Flare-DC-30	34,000	18,500	79.4



Model	A	B	C	H	E
Flare-DC-100	101 8/16	99 4/16	16	28	5x8
Flare-DC-80	83 9/16	82 9/16	16	28	5x8
Flare-DC-70	71	69 11/16	16	28	5x8
Flare-DC-60	61 2/16	59 14/16	16	28	5x8
Flare-DC-50	51 5/16	50	16	28	5x8
Flare-DC-45	44 10/16	43 5/16	16	28	4x6
*Flare-DC-30	31 10/16	30 5/16	*24	35 14/16	4x6
Flare-DC-100-H	101 8/16	99 4/16	24	35 14/16	5x8
Flare-DC-80-H	83 9/16	82 9/16	24	35 14/16	5x8
Flare-DC-70-H	71	69 11/16	24	35 14/16	5x8
Flare-DC-60-H	61 2/16	59 14/16	24	35 14/16	5x8
Flare-DC-50-H	51 5/16	50	24	35 14/16	5x8
Flare-DC-45-H	44 10/16	43 5/16	24	35 14/16	4x6

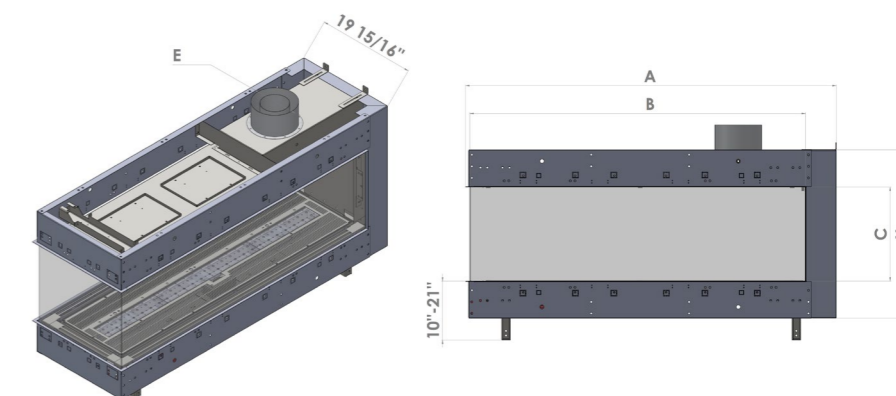
ROOM DEFINER

A stunning peninsula design with a side vent, intended as a room divider. The three glass sides creates an impressive and magnificent way to give character to any living area. The design possibilities are endless.



SPECIFICATIONS

Model	BTU/hr (max)	BTU/hr (min)	Efficiency
Flare-RD-100/H/EH	60,000	32,500	80.4
Flare-RD-80/H/EH	55,700	31,000	80.1
Flare-RD-70/H/EH	52,200	28,000	79.8
Flare-RD-60/H/EH	50,000	28,000	79.5
Flare-RD-50/H/EH	47,000	22,750	79.5
Flare-RD-45/H/EH	36,800	22,000	79.4



Model	A	B	C	H	E
Flare-RD-100	102 12/16	96 12/16	16	28 12/16	5x8
Flare-RD-80	86	80	16	28 12/16	5x8
Flare-RD-70	73 4/16	65 12/16	16	28 12/16	5x8
Flare-RD-60	63 6/16	55 14/16	16	28 12/16	5x8
Flare-RD-50	53 9/16	46 1/16	16	28 12/16	5x8
Flare-RD-45	46 15/16	40 15/16	16	28 12/16	5x8
Flare-RD-100-H	102 12/16	96 12/16	24	36 10/16	5x8
Flare-RD-80-H	86	80	24	36 10/16	5x8
Flare-RD-70-H	73 4/16	65 12/16	24	36 10/16	5x8
Flare-RD-60-H	63 6/16	55 14/16	24	36 10/16	5x8
Flare-RD-50-H	53 9/16	46 1/16	24	36 10/16	5x8
Flare-RD-45-H	46 15/16	40 15/16	24	36 10/16	5x8
Flare-RD-100-EH	102 12/16	96 12/16	30	42 7/8	5x8
Flare-RD-80-EH	86	80	30	42 7/8	5x8
Flare-RD-70-EH	73 4/16	65 12/16	30	42 7/8	5x8
Flare-RD-60-EH	63 6/16	55 14/16	30	42 7/8	5x8
Flare-RD-50-EH	53 9/16	46 1/16	30	42 7/8	5x8
Flare-RD-45-EH	46 15/16	40 15/16	30	42 7/8	5x8

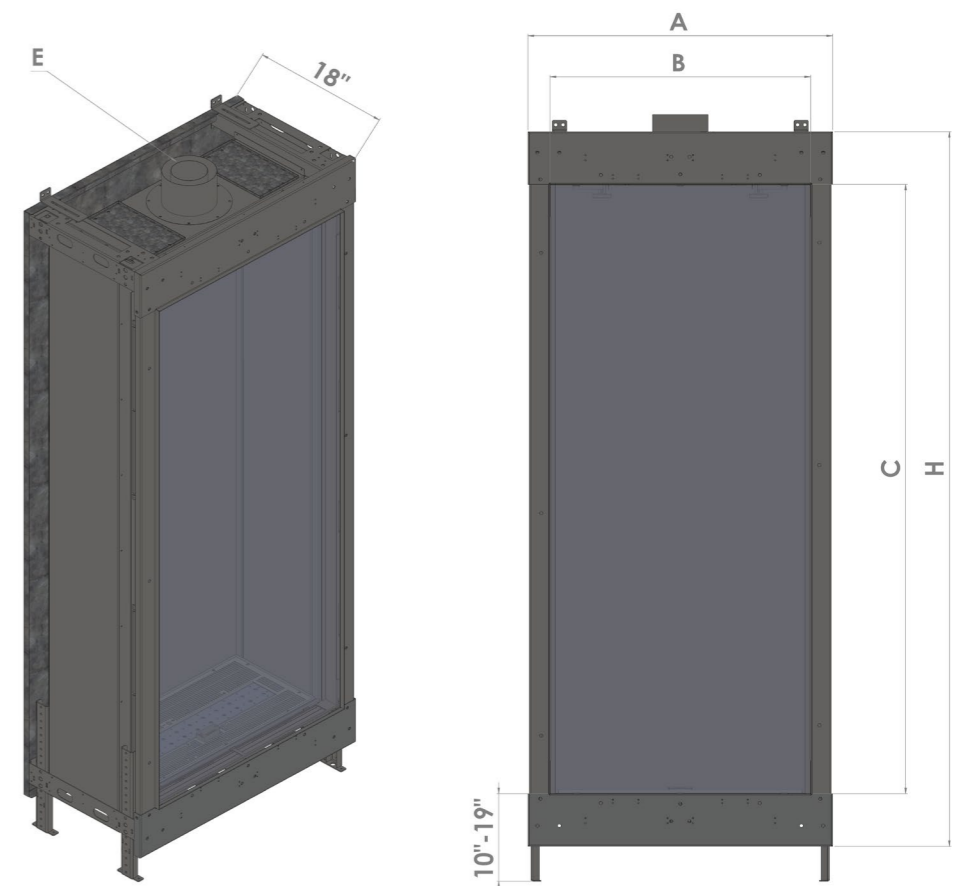
PASSAGE FRONT

Flare's brand new Passage Front offers a vertical design with a single face, intended to offer a modern twist on the linear design Flare is known for. The single glass side creates an impressive visual experience, designed to give a new perspective on what a modern fireplace can be.



SPECIFICATIONS

Model	BTU/hr (max)	BTU/hr (min)	Efficiency
PAS-FF-30-EH	34,000	26,200	80.4

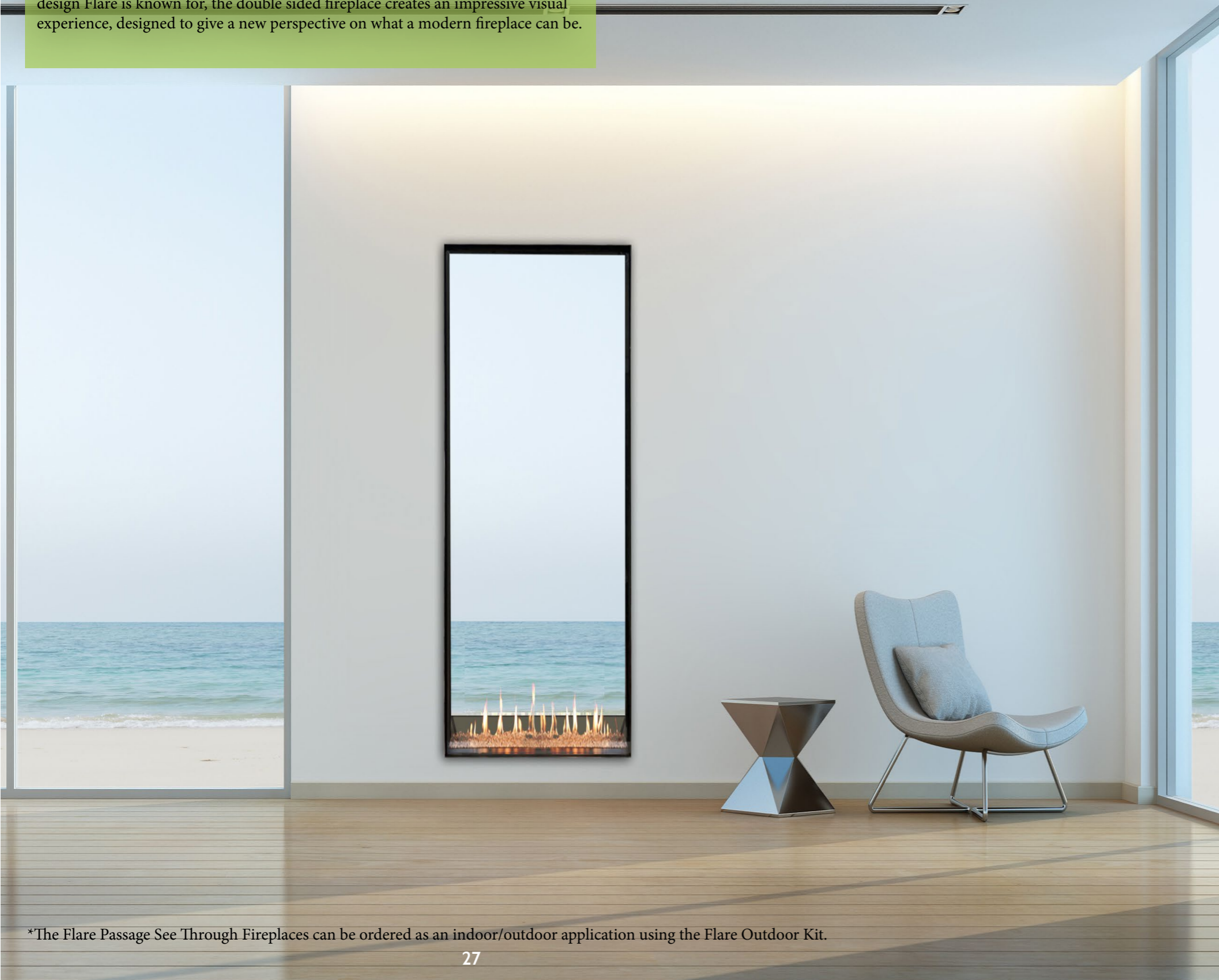


Model	A	B	C	H	E
PAS-FF-30-EH	30	28	60	82	5x8

*The Flare Passage Front Fireplaces can be ordered as an indoor/outdoor application using the Flare Outdoor Kit.

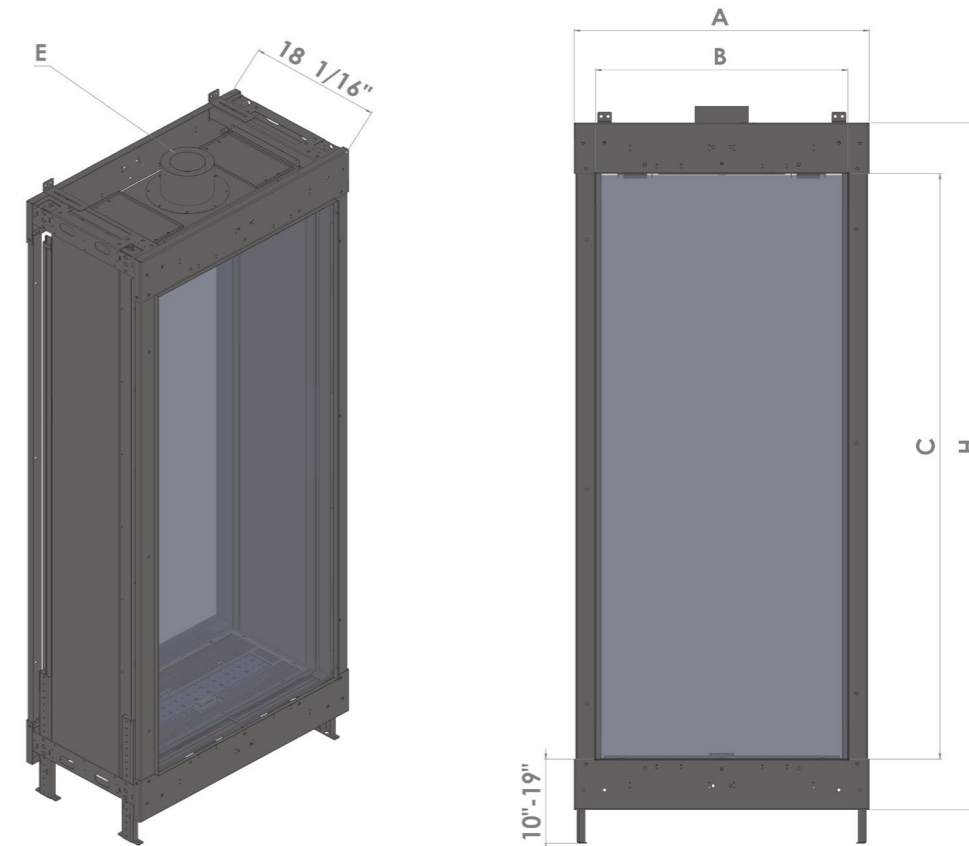
PASSAGE SEE THROUGH

Flare's brand new Passage See Through fireplace offers a vertical design with a window you can see through. Intended to offer a modern twist on the linear design Flare is known for, the double sided fireplace creates an impressive visual experience, designed to give a new perspective on what a modern fireplace can be.



SPECIFICATIONS

Model	BTU/hr (max)	BTU/hr (min)	Efficiency
PAS-ST-30-EH	34,000	26,200	80.4



Model	A	B	C	H	E
PAS-ST-30-EH	30	28	60	82	5x8

*The Flare Passage See Through Fireplaces can be ordered as an indoor/outdoor application using the Flare Outdoor Kit.



PICTURE KEY

COVER

Double Corner 80 Screened

PAGE 1

Front Facing 80

Handsome Salt Project

PAGE 3

Room Definer 70

Double Corner 45 Screened

Double Corner 60

PAGE 4

Left Corner 100 High

Front Facing 80

PAGE 5

Double Corner 60

PAGE 6

See-Through 50

PAGE 8

See Through 100 High

PAGE 9

Double Corner 80

PAGE 10

See-Through 100 H Indoor/Outdoor

PAGE 13

Front Facing 100

PAGE 15

See Through 100 High

PAGE 17

Right Corner 70 High Screened

PAGE 19

Left Corner 80 High

PAGE 21

Double Corner 50

PAGE 23

Room Definer 50

PAGE 25

Passage Front

PAGE 27

Passage See Through

PAGE 29

Front Facing 80 High

BACK COVER

Room Definer 60 Extra High





 **FLARE**
FIREPLACES
Frameless Is More

Flare Fireplaces LLC
890 N. Dorothy Dr. Suite 900
Richardson, TX 75081

Phone/ Fax: 1-866-639-1590

flarefireplaces.com | Version 6.0



SCAN FOR CONTINUOUS EDUCATION CREDIT