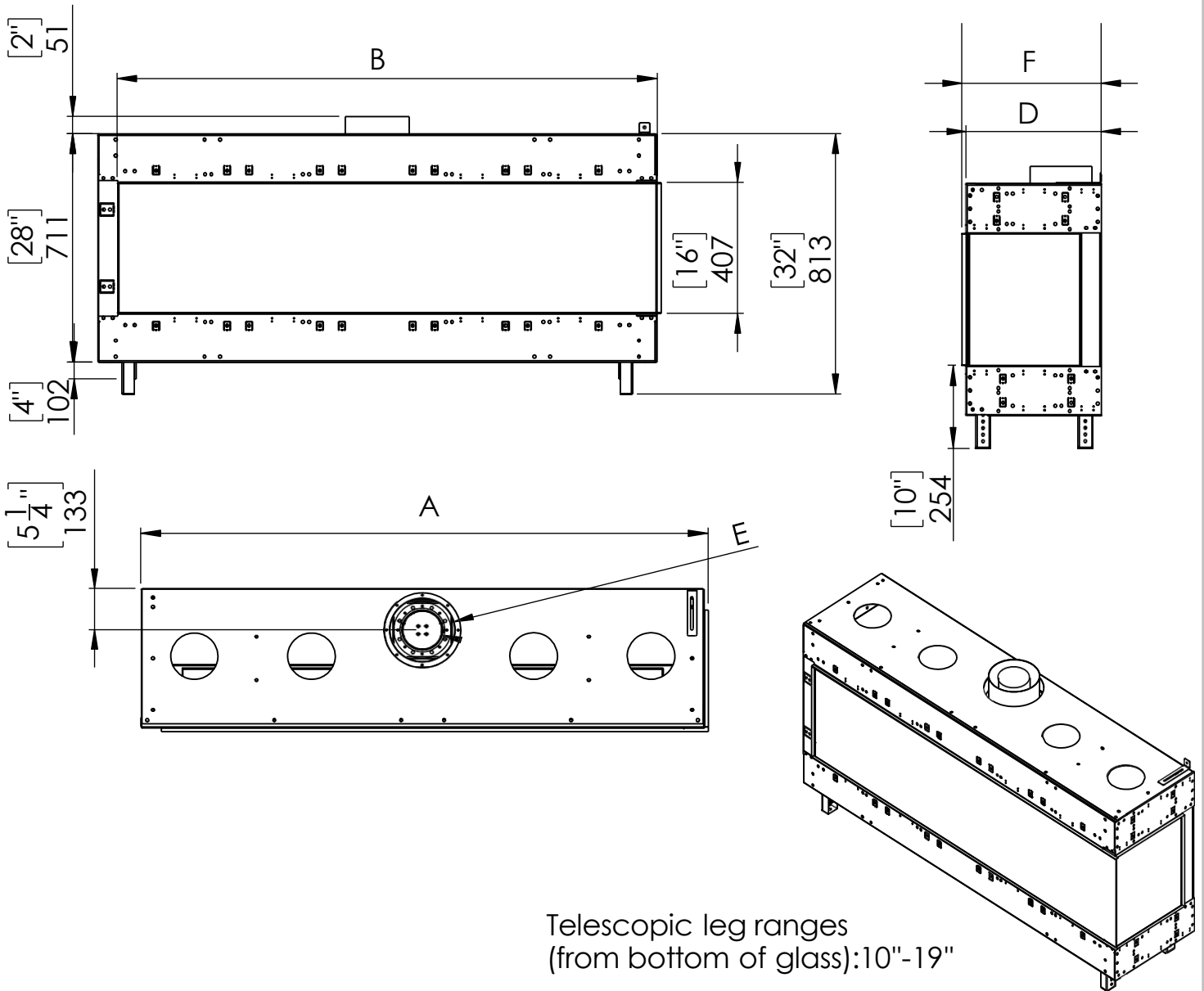
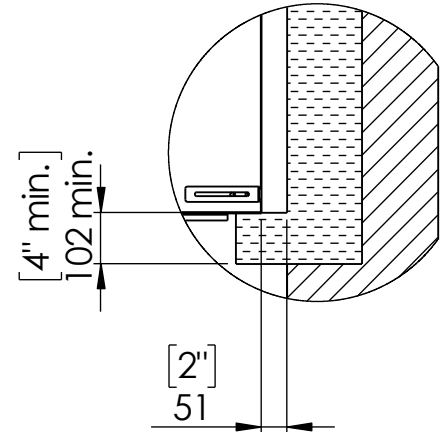
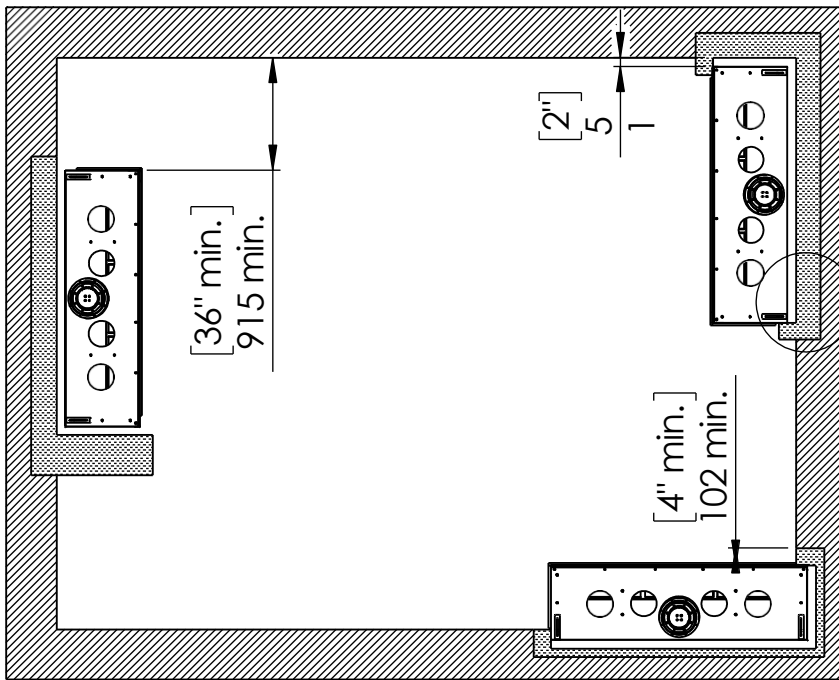


## Fireplace Dimensions



Model	45	50	60	70	80	100
A- Inch	44 <sup>2</sup> / <sub>16</sub>	50 <sup>13</sup> / <sub>16</sub>	60 <sup>10</sup> / <sub>16</sub>	70 <sup>8</sup> / <sub>16</sub>	83 <sup>1</sup> / <sub>16</sub>	100
B- Inch	41 <sup>4</sup> / <sub>16</sub>	47 <sup>15</sup> / <sub>16</sub>	57 <sup>11</sup> / <sub>16</sub>	67 <sup>10</sup> / <sub>16</sub>	80	97 <sup>3</sup> / <sub>16</sub>
F- Inch	18 <sup>1</sup> / <sub>16</sub>	18 <sup>1</sup> / <sub>16</sub>	18 <sup>1</sup> / <sub>16</sub>	18 <sup>1</sup> / <sub>16</sub>	18 <sup>1</sup> / <sub>16</sub>	18 <sup>1</sup> / <sub>16</sub>
D- Inch	17 <sup>9</sup> / <sub>16</sub>	17 <sup>9</sup> / <sub>16</sub>	17 <sup>9</sup> / <sub>16</sub>	17 <sup>9</sup> / <sub>16</sub>	17 <sup>9</sup> / <sub>16</sub>	17 <sup>9</sup> / <sub>16</sub>
E- Inch	4x6	5x8	5x8	5x8	5x8	5x8

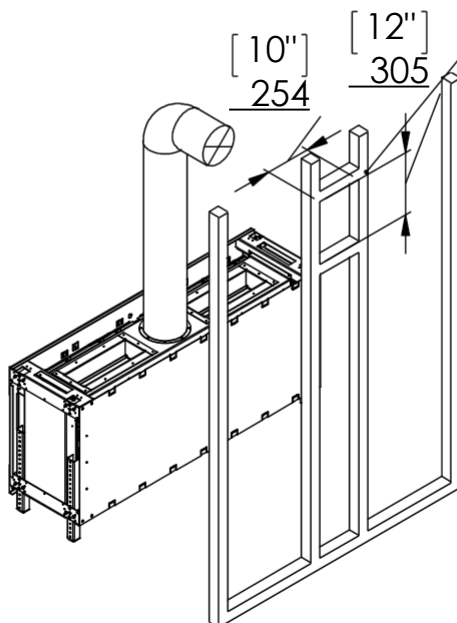


 Combustible Materials  
 Non Combustible Materials

## Chimney Installation

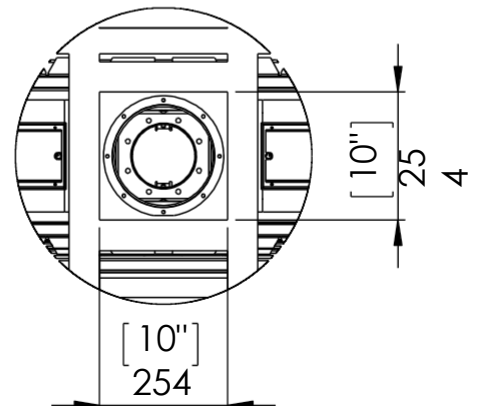
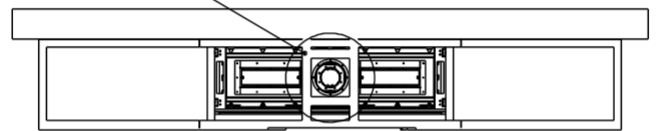
### Horizontal Termination

For 5 x 8 vent size create 10" x 12" vent termination opening

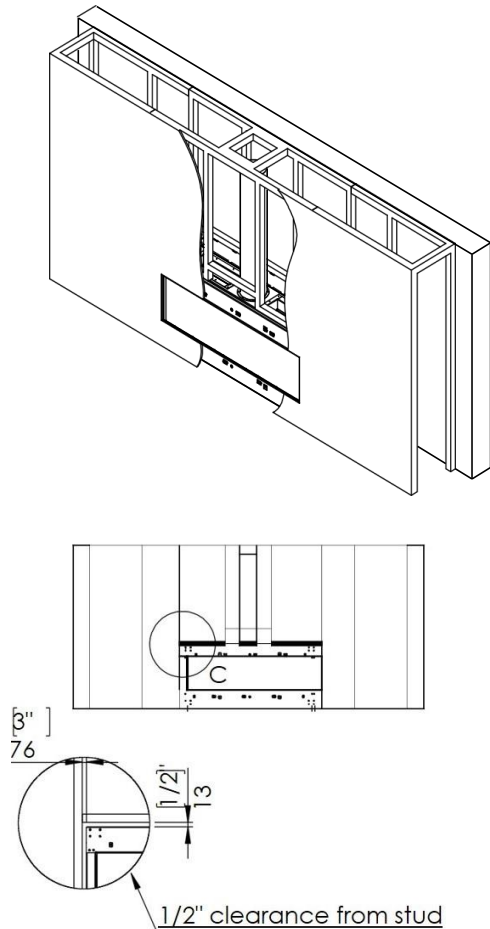


### Vertical Termination

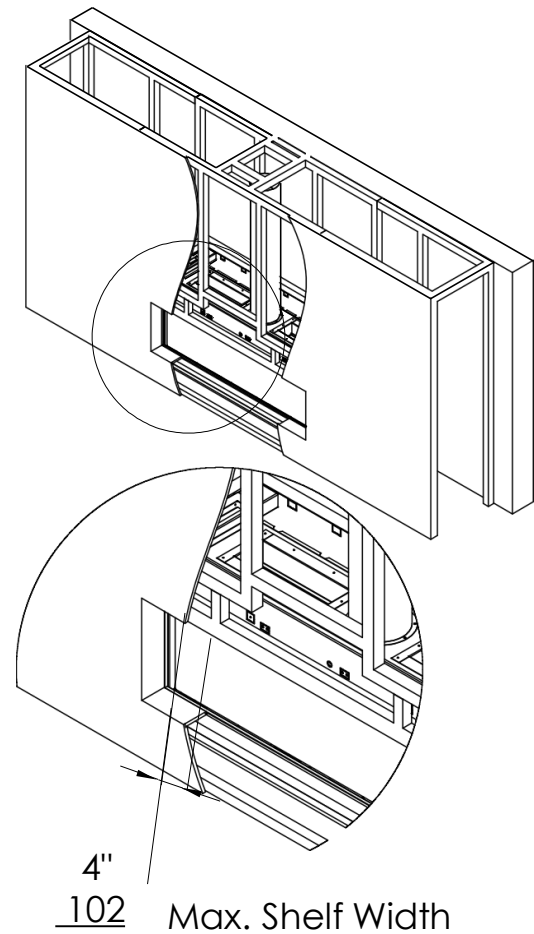
For 5 x 8 vent size create 10" x 10" vent termination opening



## Flat Installation Example



## L Shape Installation Example



## Heat Release and Air Intakes

### The following sizes MUST be maintained for the upper heat release:

For fireplaces sized 80" & 100" – vent area must be at least 200 square inches.

For fireplaces sized 60" & 70" - vent area must be at least 140 square inches.

For fireplace sized 50" and below - vent area must be at least 100 square inches.

### The following sizes MUST be maintained for the lower air intake:

For fireplaces sized 80" & 100" – vent area must be at least 100 square inches.

For fireplaces sized 60" & 70" - vent area must be at least 70 square inches.

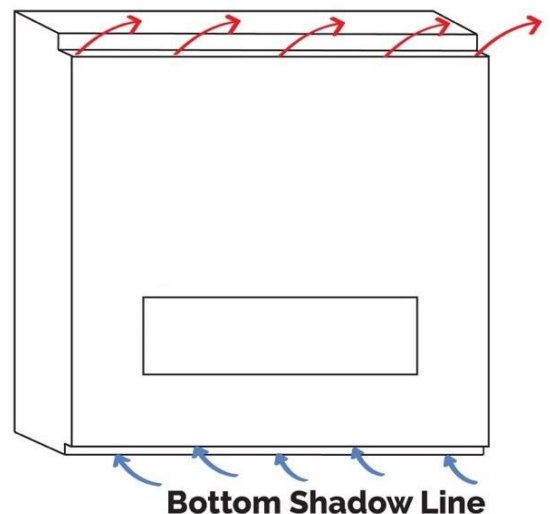
For fireplaces sized 50" and below - vent area must be at least 50 square inches.

For See Through and Room Definer fireplaces, the air intake requirements are double.

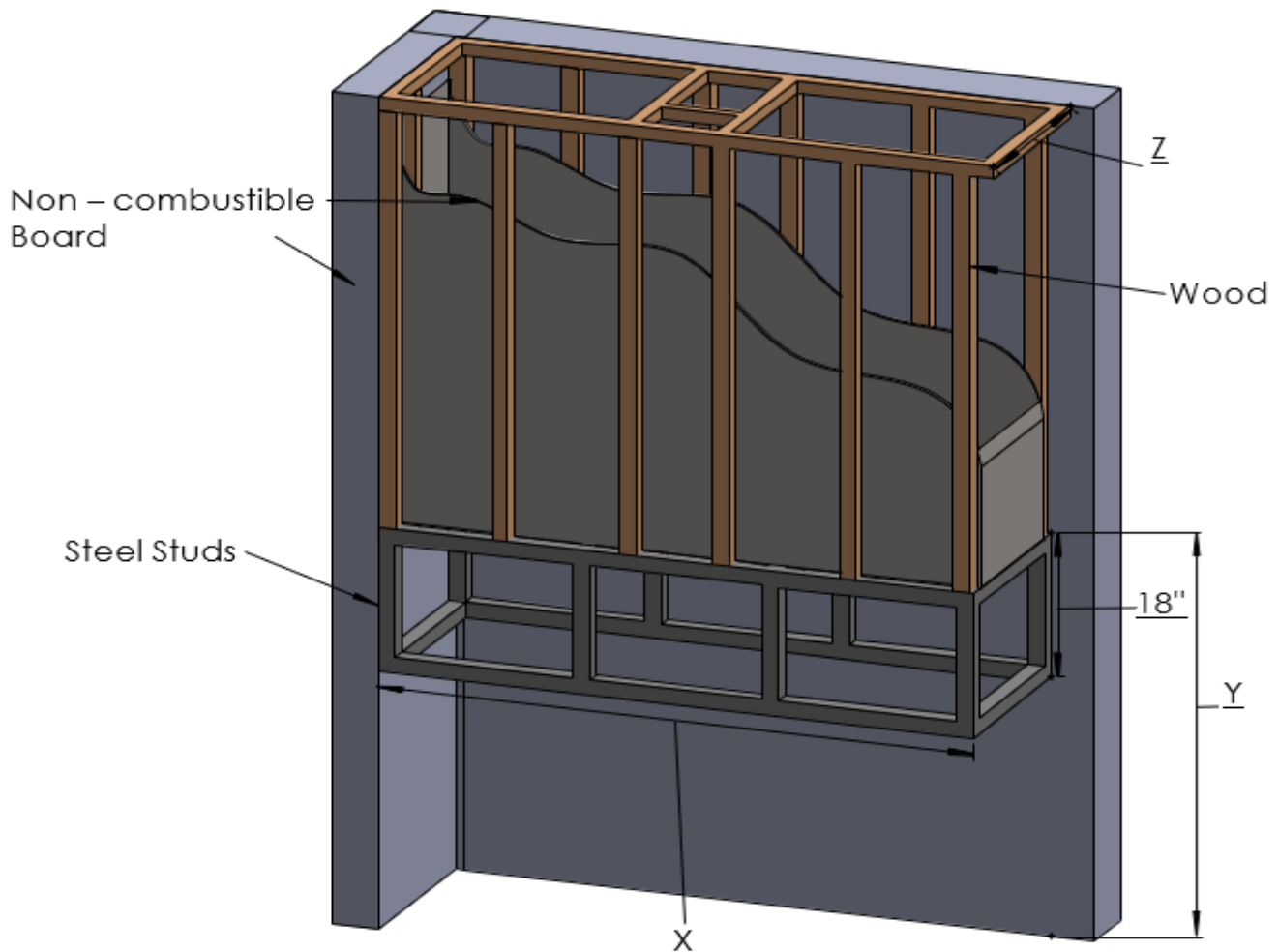
**NOTE: Openings above for Heat Release and Air Intake are measured for open air space.**

**NOTE: On all See Through and Room Definer units the air intake must be doubled**

### Top Shadow Line



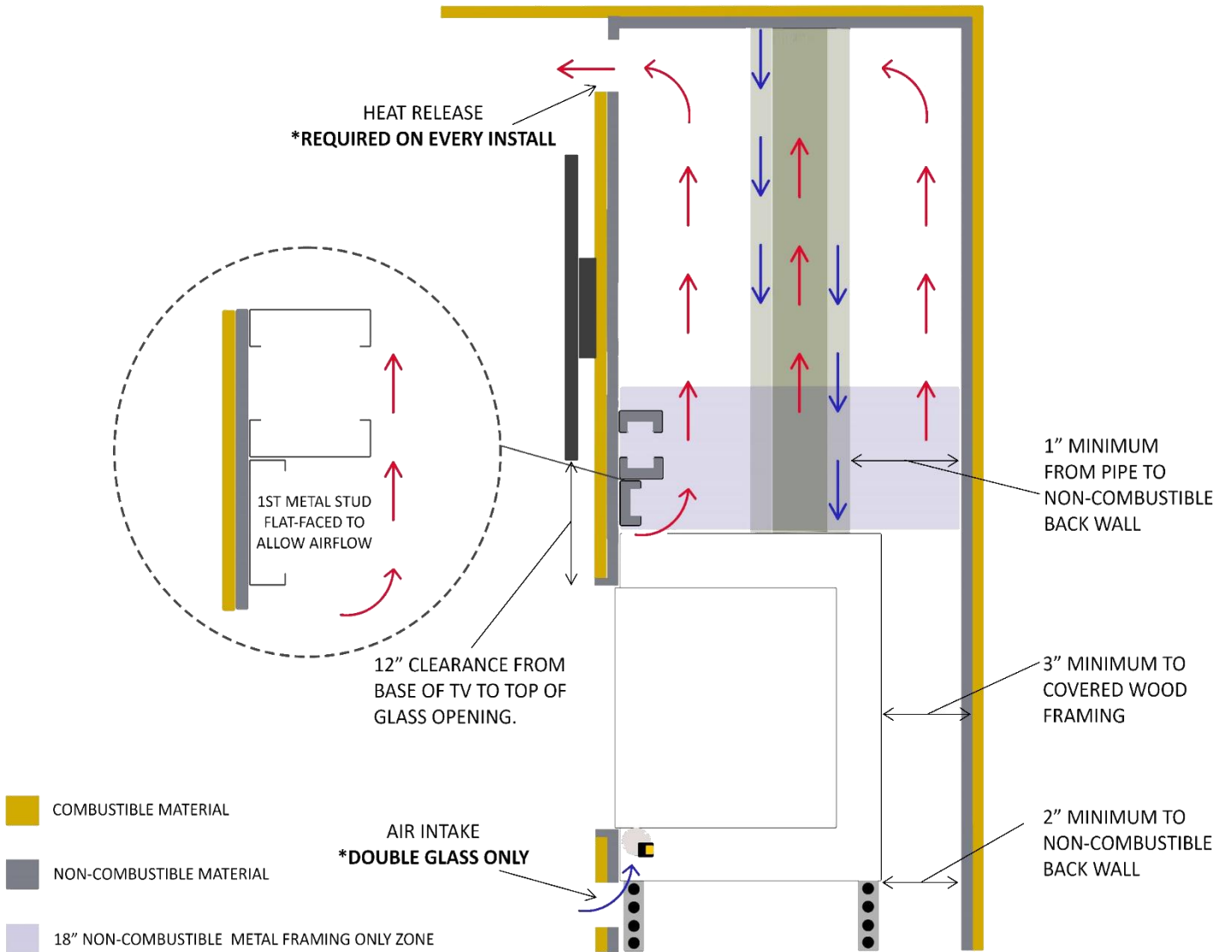
# Wood Framing Dimensions



**NOTE:** Dimension 'Y' uses legs at default lowest height 4" below the unit with glass beginning 10" above the floor. Increase leg height and Y dimension for higher viewing window.

		X	Y	Z	
				Flat Installation	Recess Installation ( 4" Max)
45	Inch	47 <sup>2</sup> / <sub>16</sub>	50 <sup>8</sup> / <sub>16</sub>	20 <sup>9</sup> / <sub>16</sub>	24 <sup>9</sup> / <sub>16</sub>
	mm	1183	1283	522	624
50	Inch	53 <sup>13</sup> / <sub>16</sub>	50 <sup>8</sup> / <sub>16</sub>	20 <sup>9</sup> / <sub>16</sub>	24 <sup>9</sup> / <sub>16</sub>
	mm	1367	1283	522	624
60	Inch	63 <sup>10</sup> / <sub>16</sub>	50 <sup>8</sup> / <sub>16</sub>	20 <sup>9</sup> / <sub>16</sub>	24 <sup>9</sup> / <sub>16</sub>
	mm	1616	1283	522	624
70	Inch	73 <sup>8</sup> / <sub>16</sub>	50 <sup>8</sup> / <sub>16</sub>	20 <sup>9</sup> / <sub>16</sub>	24 <sup>9</sup> / <sub>16</sub>
	mm	1867	1283	522	624
80	Inch	86 <sup>1</sup> / <sub>16</sub>	50 <sup>8</sup> / <sub>16</sub>	20 <sup>9</sup> / <sub>16</sub>	24 <sup>9</sup> / <sub>16</sub>
	mm	2186	1283	522	624
100	Inch	103	50 <sup>8</sup> / <sub>16</sub>	20 <sup>9</sup> / <sub>16</sub>	24 <sup>9</sup> / <sub>16</sub>
	mm	2616	1283	522	624

## WOOD FLAT - SIDE VIEW



## CLEARANCES TO SIDE AND BACK

