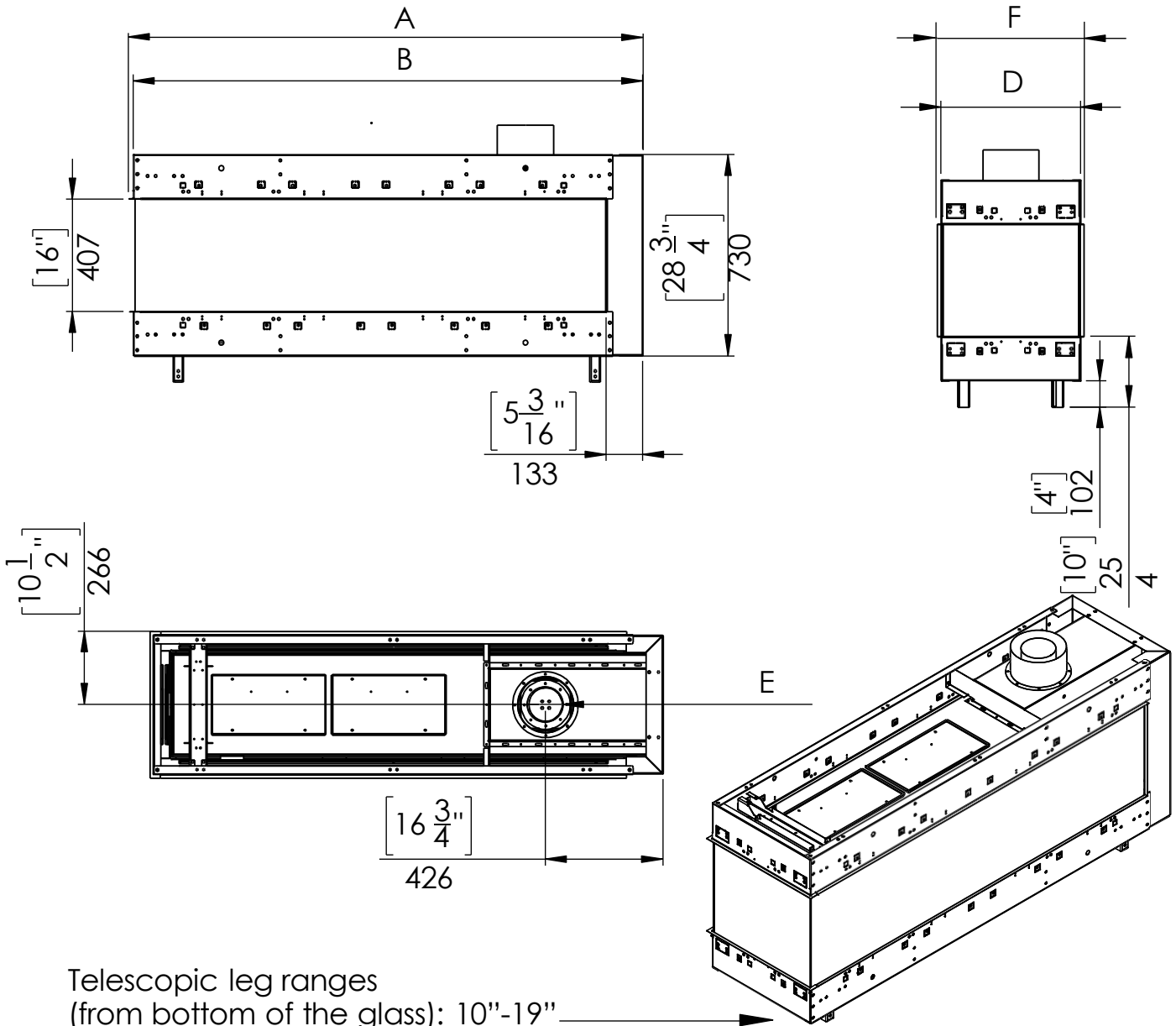
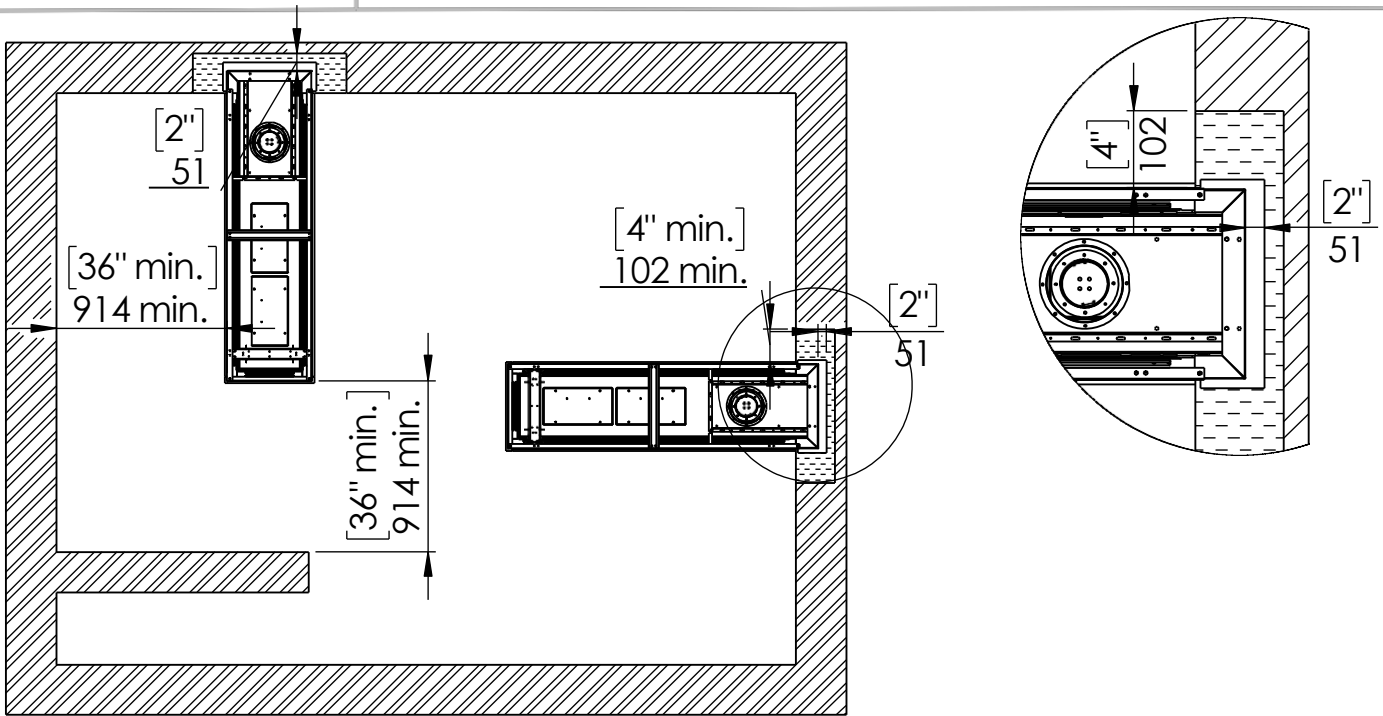


## Fireplace Dimensions



Model	45	50	60	70	80	100
<b>A- Inch</b>	46 15/16	53 8/16	63 6/16	73 4/16	86	102 12/16
<b>B- Inch</b>	46 5/16	53	62 13/16	72 11/16	85 7/16	102 3/16
<b>F- Inch</b>	20 15/16	20 15/16	20 15/16	20 15/16	20 15/16	20 15/16
<b>D- Inch</b>	19 15/16	19 15/16	19 15/16	19 15/16	19 15/16	19 15/16
<b>E- Inch</b>	5x8	5x8	5x8	5x8	5x8	5x8

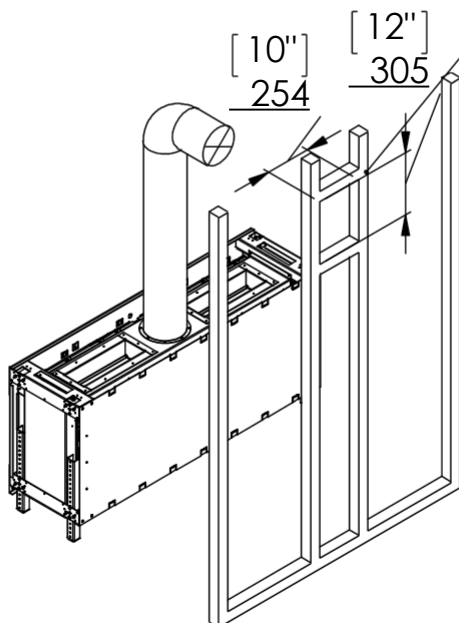


-  Combustible Materials
-  Non Combustible Materials

## Chimney Installation

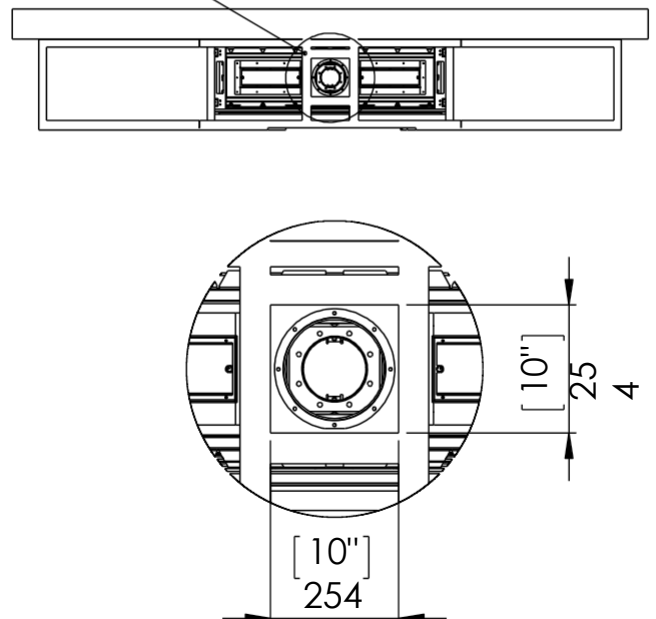
### Horizontal Termination

For 5 x 8 vent size create 10" x 12" vent termination opening

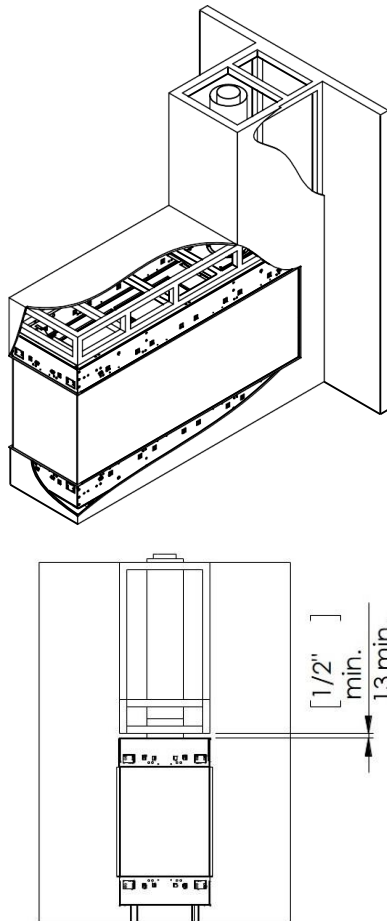


### Vertical Termination

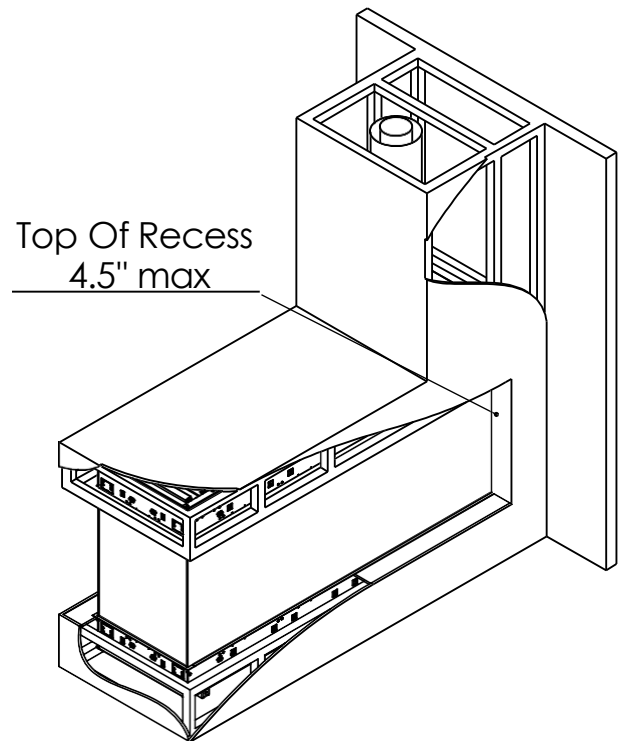
For 5 x 8 vent size create 10" x 10" vent termination opening



## Flat Installation Example



## L Shape Installation Example



## Heat Release and Air Intakes

### The following sizes MUST be maintained for the upper heat release:

For fireplaces sized 80" & 100" – vent area must be at least 200 square inches.

For fireplaces sized 60" & 70" - vent area must be at least 140 square inches.

For fireplace sized 50" and below - vent area must be at least 100 square inches.

### The following sizes MUST be maintained for the lower air intake:

For fireplaces sized 80" & 100" – vent area must be at least 100 square inches.

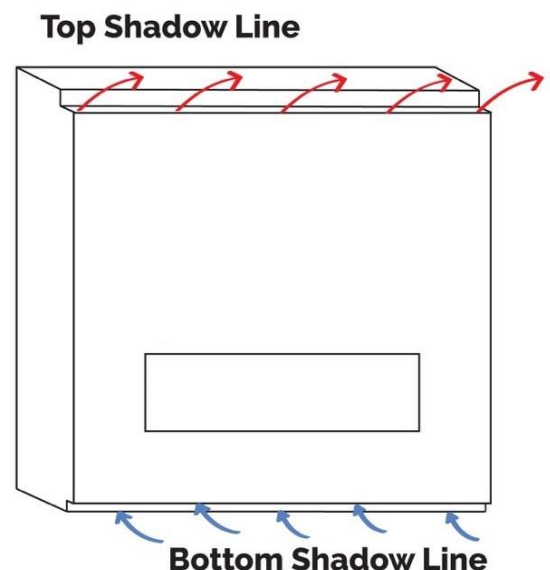
For fireplaces sized 60" & 70" - vent area must be at least 70 square inches.

For fireplaces sized 50" and below - vent area must be at least 50 square inches.

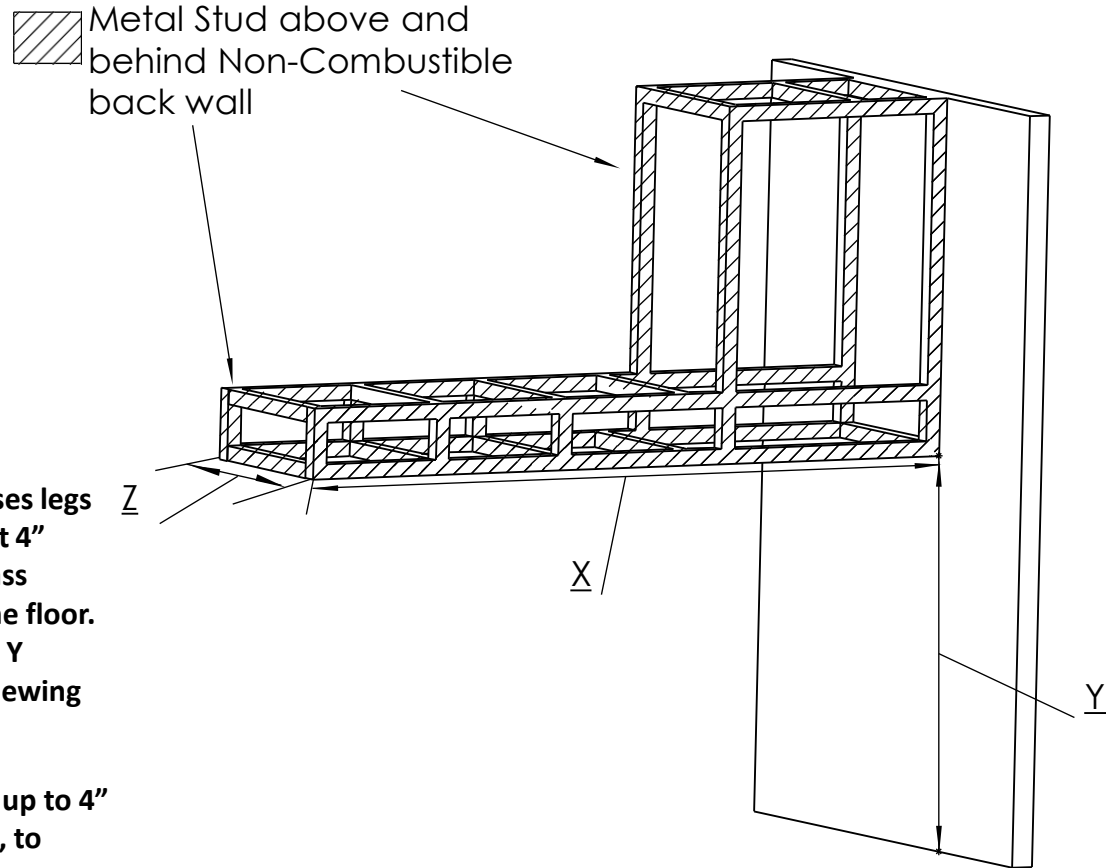
For See Through and Room Definer fireplaces, the air intake requirements are **double**.

**NOTE: Openings above for Heat Release and Air Intake are measured for open air space.**

**NOTE: On all See Through and Room Definer units the air intake must be doubled**



# Room Definer Metal Frame

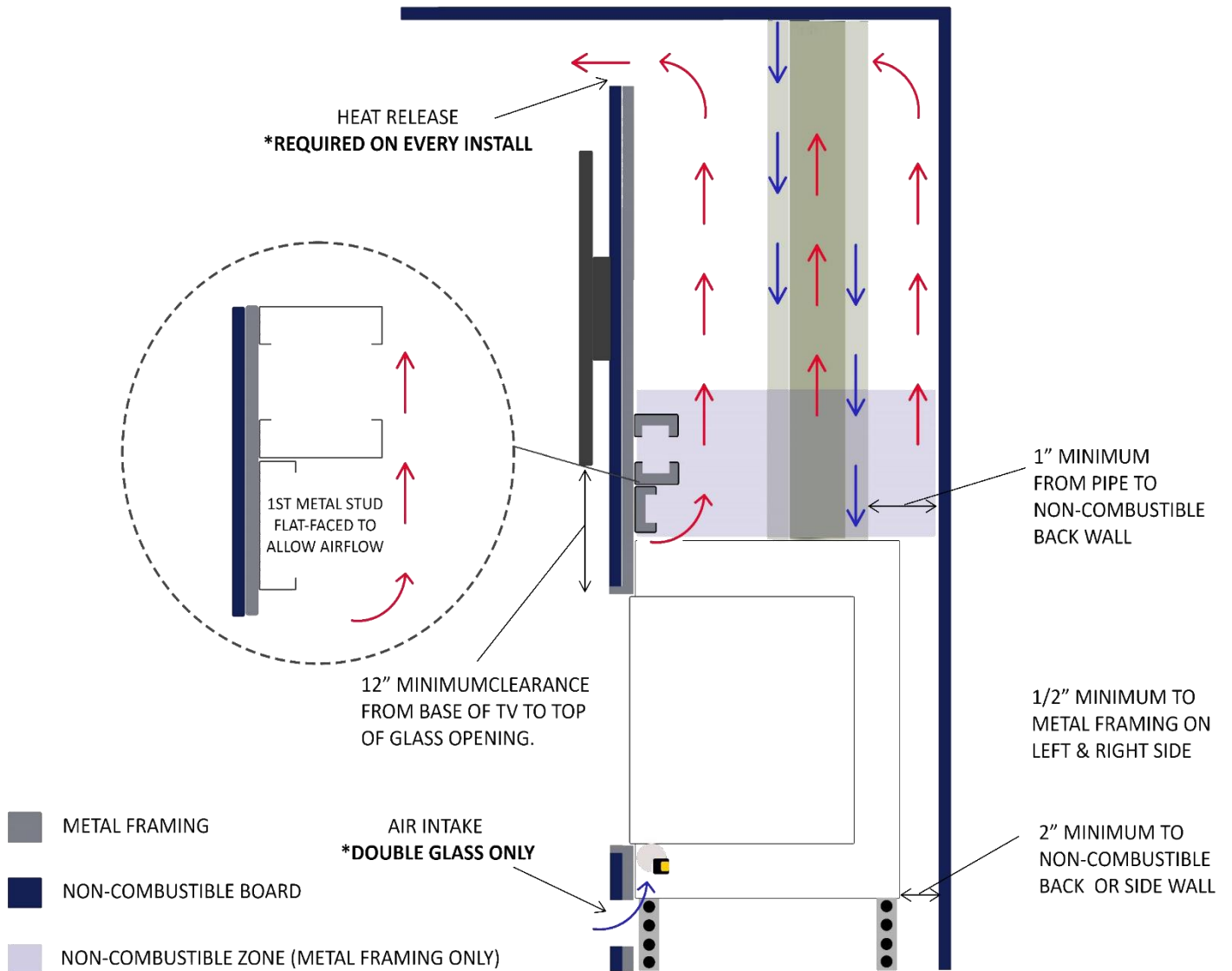


**NOTE: Dimension 'Y' uses legs at default lowest height 4" below the unit with glass beginning 10" above the floor. Increase leg height and Y dimension for higher viewing window.**

**Increase Dimension 'X' up to 4" in the event of a recess, to match recess depth of Dimension 'Z'.**

		X	Y	Z	
				Flat Installation	Recess Installation ( 4" Max)
45	Inch	48 <sup>5</sup> / <sub>16</sub>	33 <sup>4</sup> / <sub>16</sub>	19 <sup>15</sup> / <sub>16</sub>	27 <sup>15</sup> / <sub>16</sub>
	mm	1227	845	506	710
50	Inch	55	33 <sup>4</sup> / <sub>16</sub>	19 <sup>15</sup> / <sub>16</sub>	27 <sup>15</sup> / <sub>16</sub>
	mm	1381	845	506	710
60	Inch	64 <sup>13</sup> / <sub>16</sub>	33 <sup>4</sup> / <sub>16</sub>	19 <sup>15</sup> / <sub>16</sub>	27 <sup>15</sup> / <sub>16</sub>
	mm	1646	845	506	710
70	Inch	74 <sup>11</sup> / <sub>16</sub>	33 <sup>4</sup> / <sub>16</sub>	19 <sup>15</sup> / <sub>16</sub>	27 <sup>15</sup> / <sub>16</sub>
	mm	1897	845	506	710
80	Inch	87 <sup>7</sup> / <sub>16</sub>	33 <sup>4</sup> / <sub>16</sub>	19 <sup>15</sup> / <sub>16</sub>	27 <sup>15</sup> / <sub>16</sub>
	mm	2221	845	506	710
100	Inch	104 <sup>3</sup> / <sub>16</sub>	33 <sup>4</sup> / <sub>16</sub>	19 <sup>15</sup> / <sub>16</sub>	27 <sup>15</sup> / <sub>16</sub>
	mm	2646	845	506	710

## METAL FLAT - SIDE VIEW



## CLEARANCES TO SIDE AND BACK

