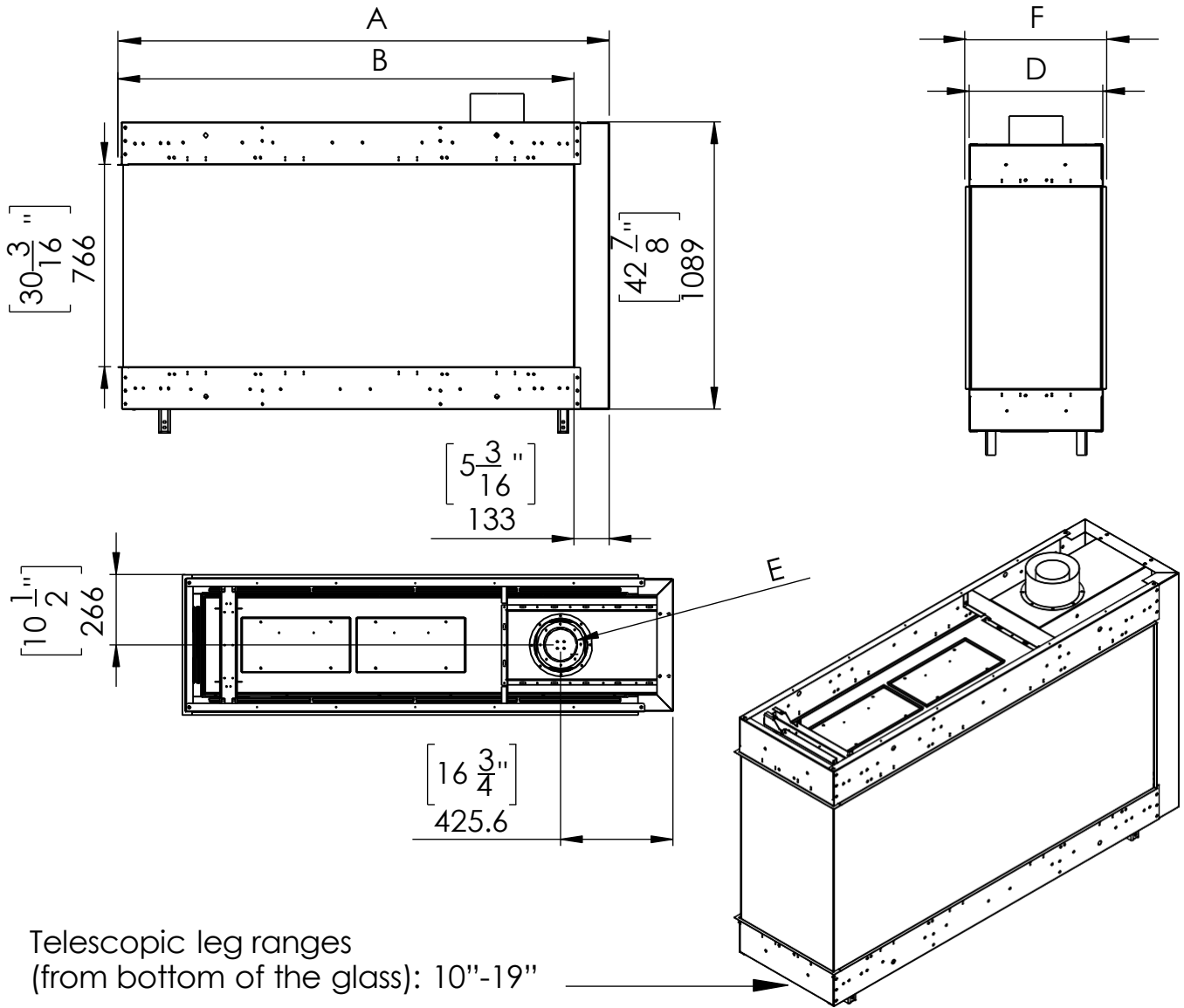
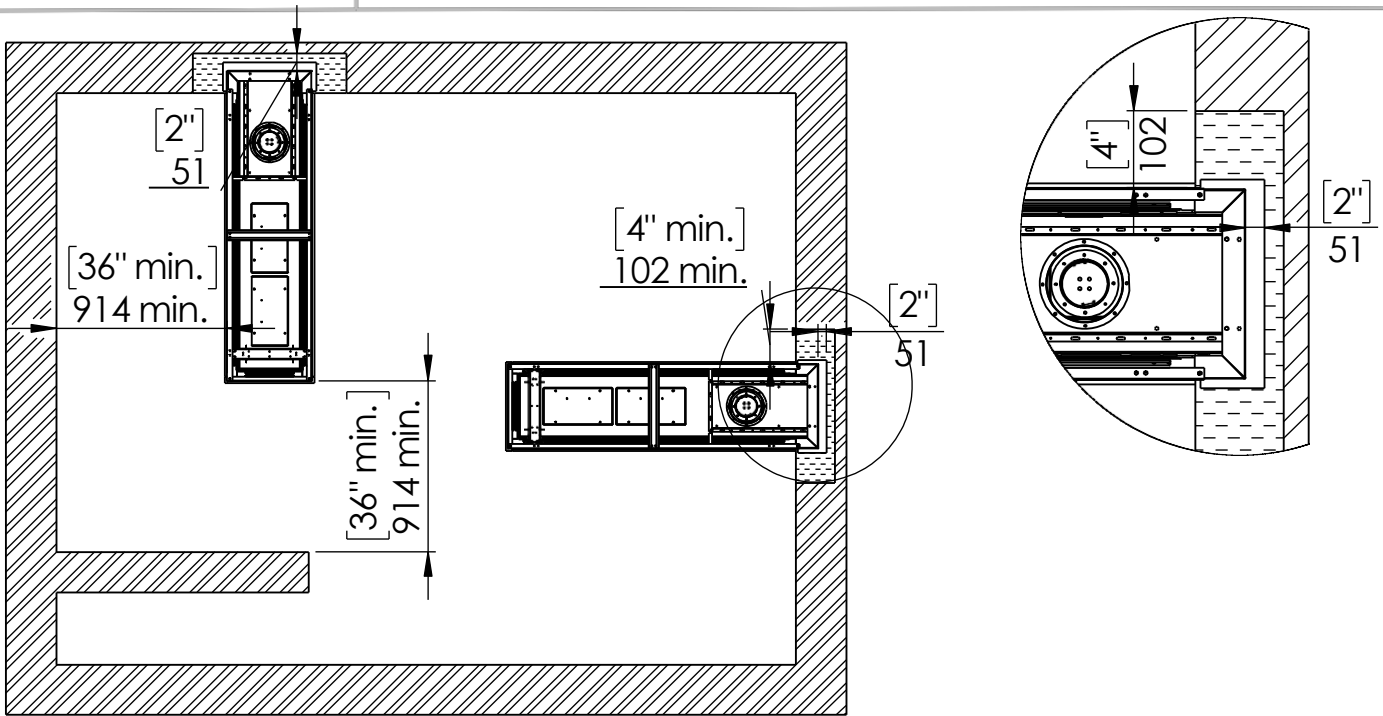


## Fireplace Dimensions



Model	45	50	60	70	80	100
A- Inch	46 <sup>15</sup> / <sub>16</sub>	53 <sup>8</sup> / <sub>16</sub>	63 <sup>6</sup> / <sub>16</sub>	73 <sup>4</sup> / <sub>16</sub>	86	100 <sup>8</sup> / <sub>16</sub>
B- Inch	46 <sup>5</sup> / <sub>16</sub>	53	62 <sup>13</sup> / <sub>16</sub>	72 <sup>11</sup> / <sub>16</sub>	85 <sup>7</sup> / <sub>16</sub>	99 <sup>4</sup> / <sub>16</sub>
F- Inch	20 <sup>15</sup> / <sub>16</sub>	20 <sup>15</sup> / <sub>16</sub>	20 <sup>15</sup> / <sub>16</sub>	20 <sup>15</sup> / <sub>16</sub>	20 <sup>15</sup> / <sub>16</sub>	20 <sup>15</sup> / <sub>16</sub>
D- Inch	19 <sup>15</sup> / <sub>16</sub>	19 <sup>15</sup> / <sub>16</sub>	19 <sup>15</sup> / <sub>16</sub>	19 <sup>15</sup> / <sub>16</sub>	19 <sup>15</sup> / <sub>16</sub>	19 <sup>15</sup> / <sub>16</sub>
E- Inch	5x8	5x8	5x8	5x8	5x8	5x8

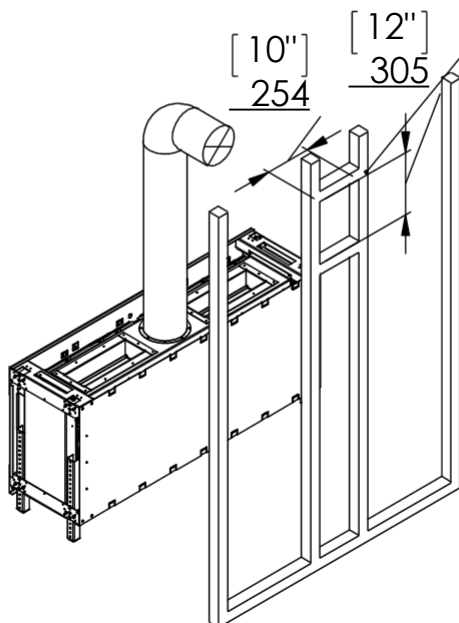


- Combustible Materials
- Non Combustible Materials

## Chimney Installation

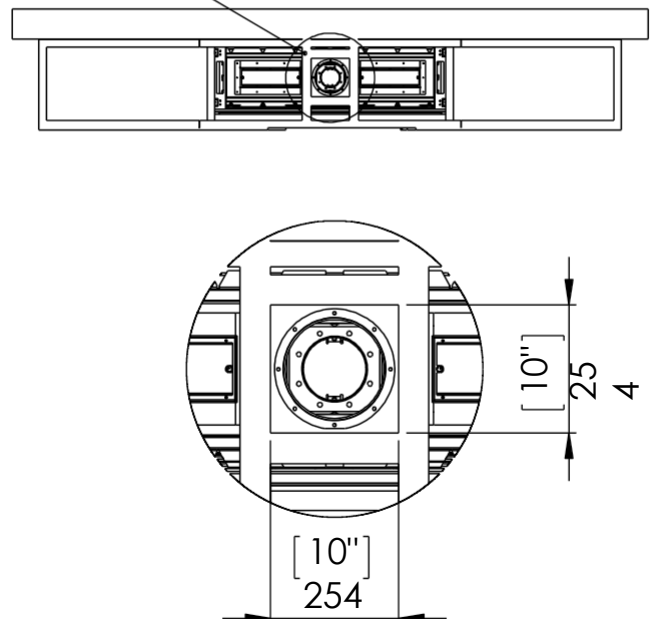
### Horizontal Termination

For 5 x 8 vent size create 10" x 12" vent termination opening

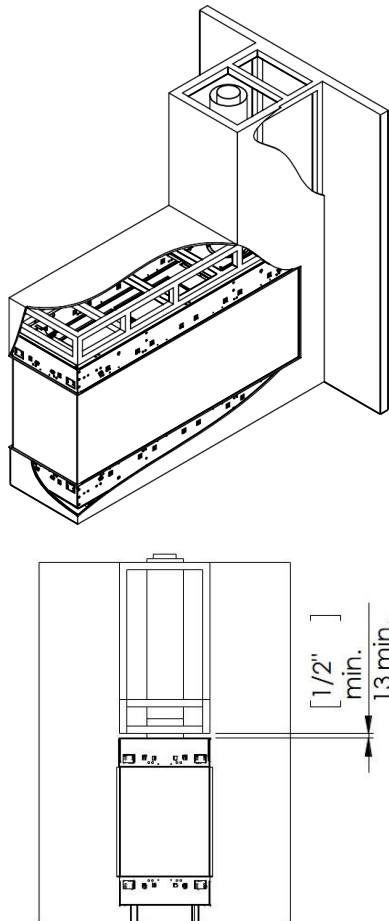


### Vertical Termination

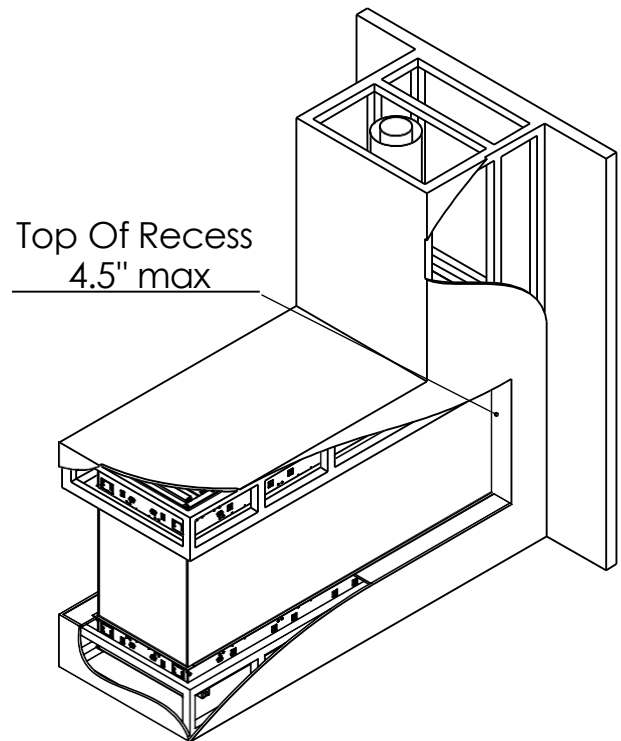
For 5 x 8 vent size create 10" x 10" vent termination opening



## Flat Installation Example



## L Shape Installation Example



## Heat Release and Air Intakes

### The following sizes MUST be maintained for the upper heat release:

For fireplaces sized 80" & 100" – vent area must be at least 200 square inches.

For fireplaces sized 60" & 70" - vent area must be at least 140 square inches.

For fireplace sized 50" and below - vent area must be at least 100 square inches.

### The following sizes MUST be maintained for the lower air intake:

For fireplaces sized 80" & 100" – vent area must be at least 100 square inches.

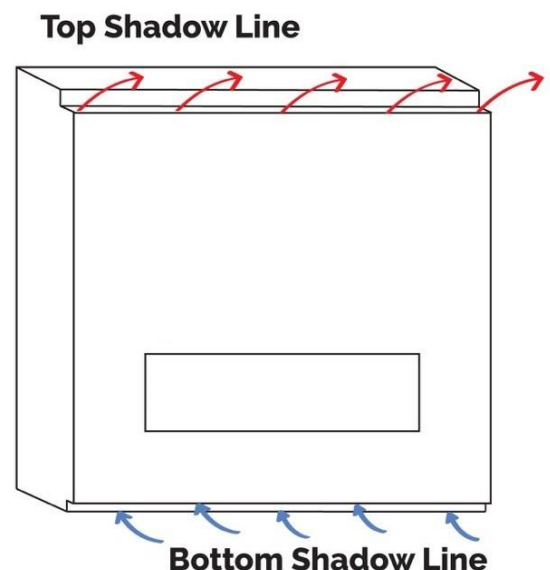
For fireplaces sized 60" & 70" - vent area must be at least 70 square inches.

For fireplaces sized 50" and below - vent area must be at least 50 square inches.

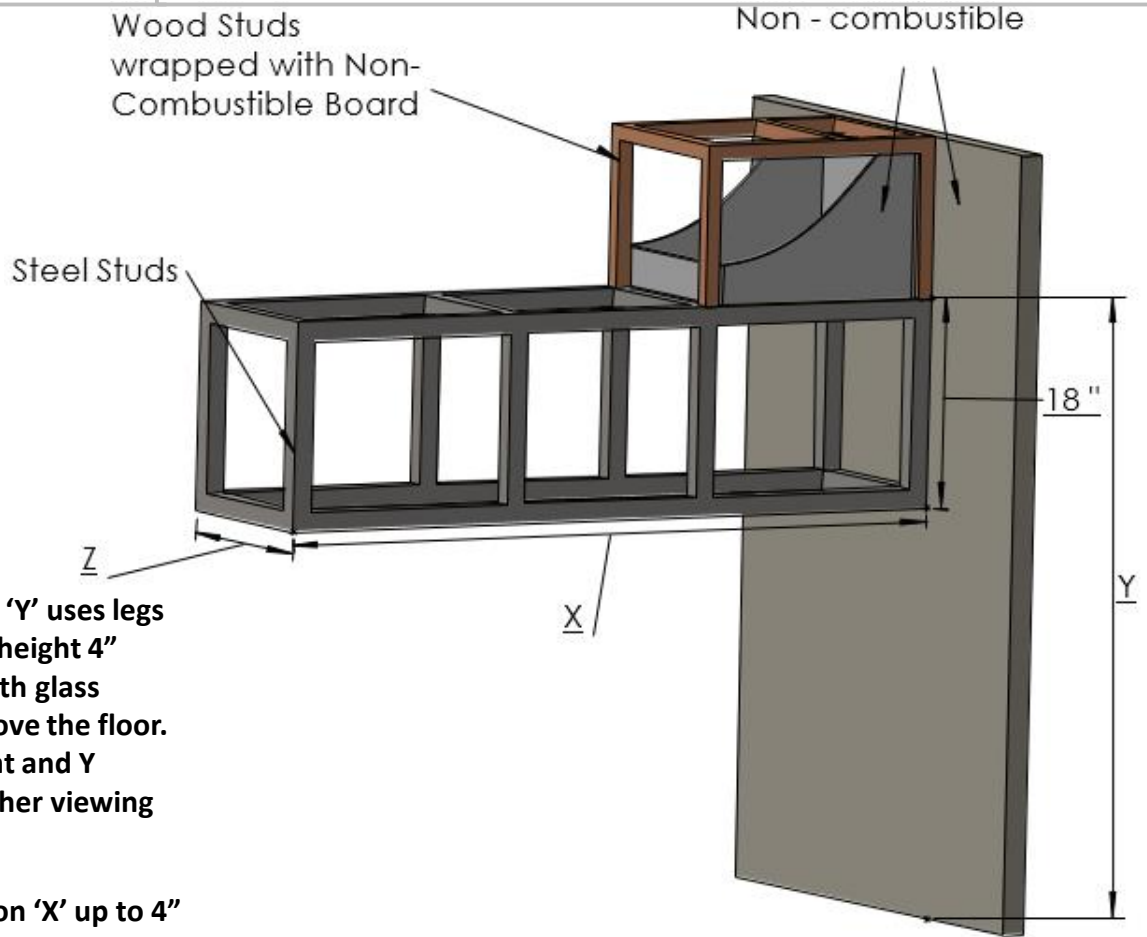
For See Through and Room Definer fireplaces, the air intake requirements are **double**.

**NOTE: Openings above for Heat Release and Air Intake are measured for open air space.**

**NOTE: On all See Through and Room Definer units the air intake must be doubled**



# Wood Framing Dimensions

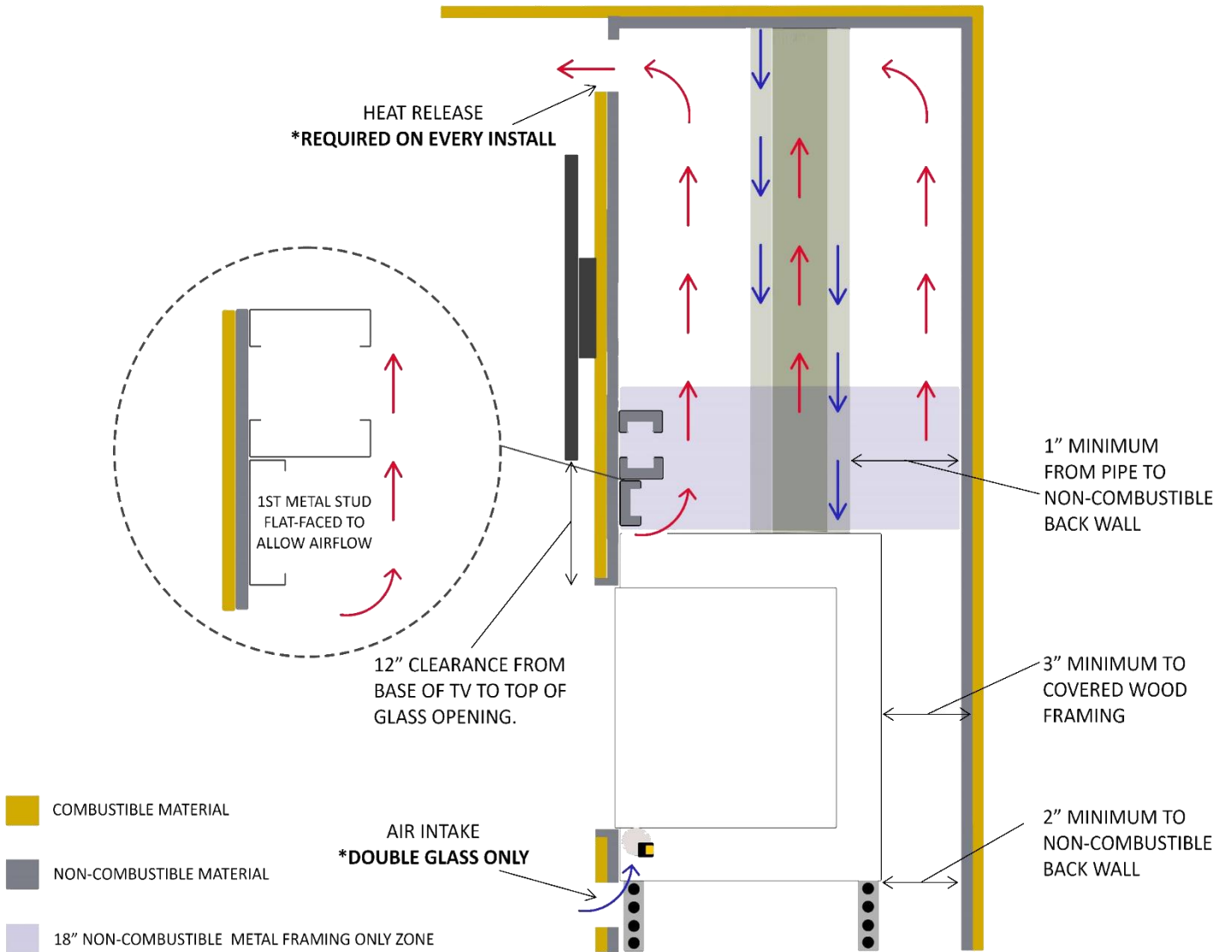


**NOTE:** Dimension 'Y' uses legs at default lowest height 4" below the unit with glass beginning 10" above the floor. Increase leg height and Y dimension for higher viewing window.

Increase Dimension 'X' up to 4" in the event of a recess, to match recess depth of Dimension 'Z'.

		X	Y	Z	
				Flat Installation	Recess Installation ( 4" Max)
45	Inch	49 5/16	65 6/16	19 15/16	27 15/16
	mm	1253	1661	506	710
50	Inch	56	65 6/16	19 15/16	27 15/16
	mm	1406	1661	506	710
60	Inch	65 13/16	65 6/16	19 15/16	27 15/16
	mm	1672	1661	506	710
70	Inch	75 11/16	65 6/16	19 15/16	27 15/16
	mm	1922	1661	506	710
80	Inch	88 7/16	65 6/16	19 15/16	27 15/16
	mm	2246	1661	506	710
100	Inch	105 3/16	65 6/16	19 15/16	27 15/16
	mm	2672	1661	506	710

## WOOD FLAT - SIDE VIEW



## CLEARANCES TO SIDE AND BACK

