

CALLAWAY SEE-THROUGH OUTDOOR KIT #CWST-ODK



For use with model #CLW-ST

**INSTALLER: Leave this manual with the appliance.
CONSUMER: Retain this manual for future reference.**

English and French installation manuals are available through your local dealer. Visit our website www.kozyheat.com.
Les manuels d'installation en français et en anglais sont disponibles chez votre détaillant local. Visitez www.kozyheat.com.

**READ ALL THESE STEPS
BEFORE STARTING INSTALLATION.
LEAVE THESE INSTRUCTIONS WITH THE
APPLIANCE.**

This kit must be installed by a qualified installer or service agency at the time of the heater installation. These instructions must be used in conjunction with the installation and operation manual provided with the appliance. Please read the appliance owner's manual completely before performing any procedures in these instructions.

1.0 INTRODUCTION	3
1.1 Introduction.....	3
1.2 Kit Contents.....	4
2.0 FRAMING.....	5
3.0 INSTALLATION	6
3.1 Remove Access Cover.....	6
3.2 Exterior Stand-off Installation	6
3.3 Steel Framing Assembly Installation.....	7
3.4 Attach Exterior Nailing Flanges	8
3.5 Install Rear Glass Frame Assembly.....	9
3.6 Weatherproof Outdoor Kit.....	10
3.7 Install Glass Pane.....	11
3.8 Install Outer Gasket Bracket Assembly	12
3.9 Install Glass Safety Barrier	13
4.0 FINISHING	14
4.1 Finishing Recommendations.....	14



1.0 INTRODUCTION

1.1 Introduction

The Kozy Heat #CWST-ODK Callaway See-Through Outdoor Kit converts the appliance to an indoor-outdoor partition, or window, allowing the fireplace to be viewed from both the indoor and the outdoor of your home.

The #CWST-ODK is for use only with model #CLW-ST.

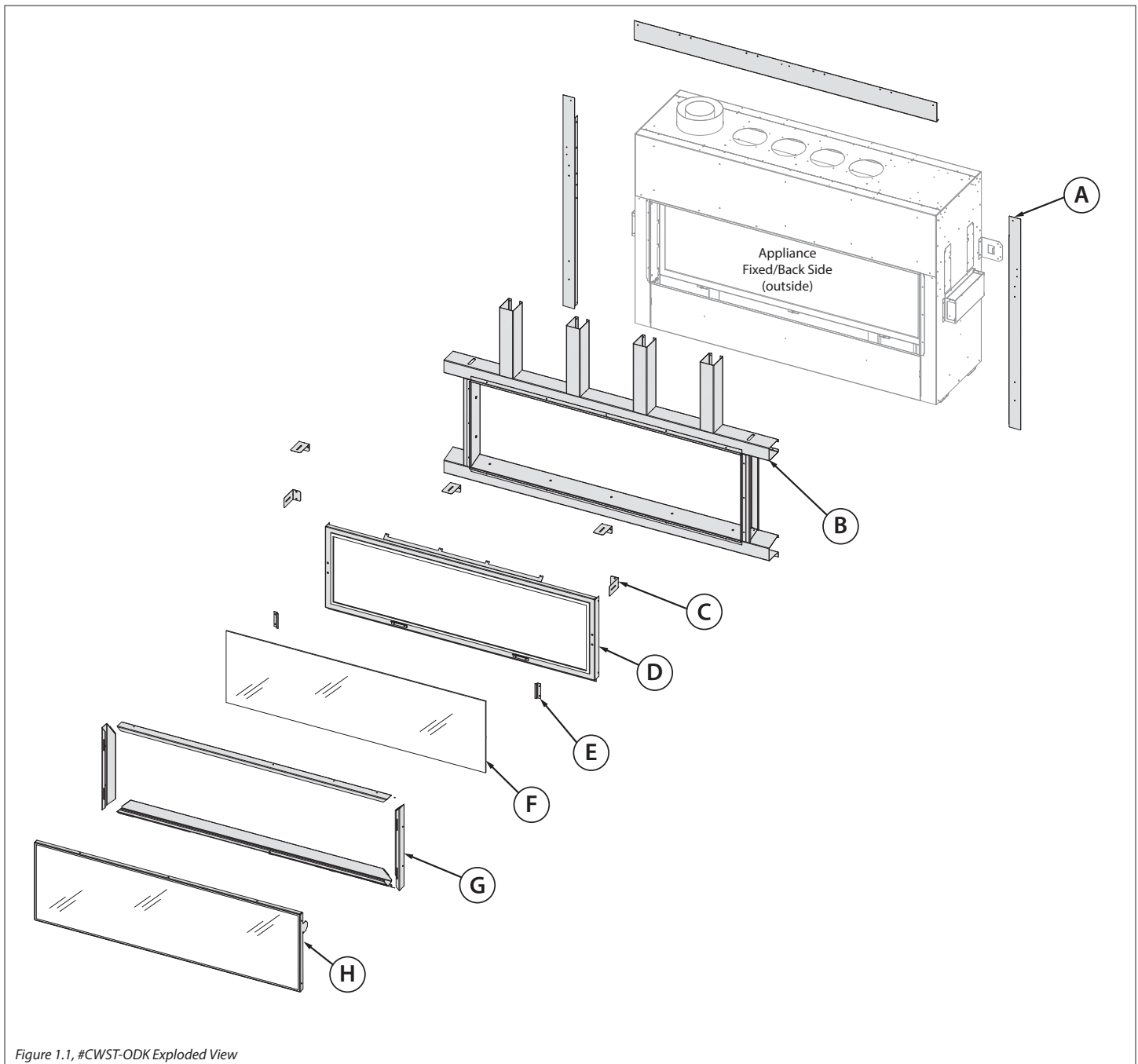
- You have the choice of two heat management options to use, the #KZK-054 Komfort Zone Kit (see the #KZK-054 manual), or the single opening vented cavity (see the #CLW-ST installation manual). One of these two options are required for use with this kit. The opening for either option must be in the interior of the house.
- Heat transfer kits (#HTK-EXT or #HTK-INT) may be used with the #CWST-ODK in combination with the #KZK-054 or single opening vented cavity. See the #HTK-EXT or #HTK-INT for more information.
- Kozy Power Vent (#KPV) is a fan-powered mechanical draft vent system (horizontal terminations only) and may be used with the #CWST-ODK. It is easier to convert the appliance for use with the #KPV before framing in the fireplace or installing the #CWST-ODK. See #KPV manual for more information.
- The outdoor kit must be installed on the fixed/back side of the appliance so the access/front side of the appliance is in the interior of the home. The control module and gas valve will be visible in the control compartment on the access/front side of the appliance and must be accessible for service.
- The outdoor kit must be installed during appliance installation before venting the appliance and installing the gas line.
- Consider your vent run requirements and termination location when planning the #CWST-ODK installation. Refer to the #CLW-ST installation manual for venting configurations and requirements.
- Framing drawings shown in this manual are shown with nominal 2 x 6 exterior framing and nominal 2 x 4 interior framing.

NOTE: Framing measurements required in this manual are precise. It is recommended to have a qualified framer on hand when installing the #CWST-ODK.

NOTE: Local building codes may vary. Consult your local building officials or Authority Having Jurisdiction prior to installation.

1.2 Kit Contents

Key	Description	Quantity
A	Exterior Stand-offs (Top, Left, Right)	3
B	Steel Framing Assembly (Top, Bottom, Left, Right, Vertical Members)	1
C	Exterior Nailing Flanges (Top, Left, Right)	5
D	Rear Glass Frame Assembly	1
E	Glass Pane Brackets (Left, Right)	2
F	Glass Pane	1
G	Outer Gasket Bracket Assembly (Top, Bottom, Left or Right)	1
H	Glass Safety Barrier	1
I	Parts Packet (not shown)	2



2.0 FRAMING

- Required #KZK-054 (see #KZK-054 manual) or single opening vented cavity (see #CLW-ST installation manual) have specific framing requirements applicable to their installation. Framing requirements outlined in the #CLW-ST installation manual will still apply to this installation.
- Framing drawings shown in this manual are shown with nominal 2 x 6 exterior framing and nominal 2 x 4 interior framing.

If your exterior wall is thicker than nominal 2 x 6 construction, you will have to sub-frame these framing requirements in nominal 2 x 6 framing to meet clearance requirements.

- Maintain all appliance and vent clearances to combustible material.

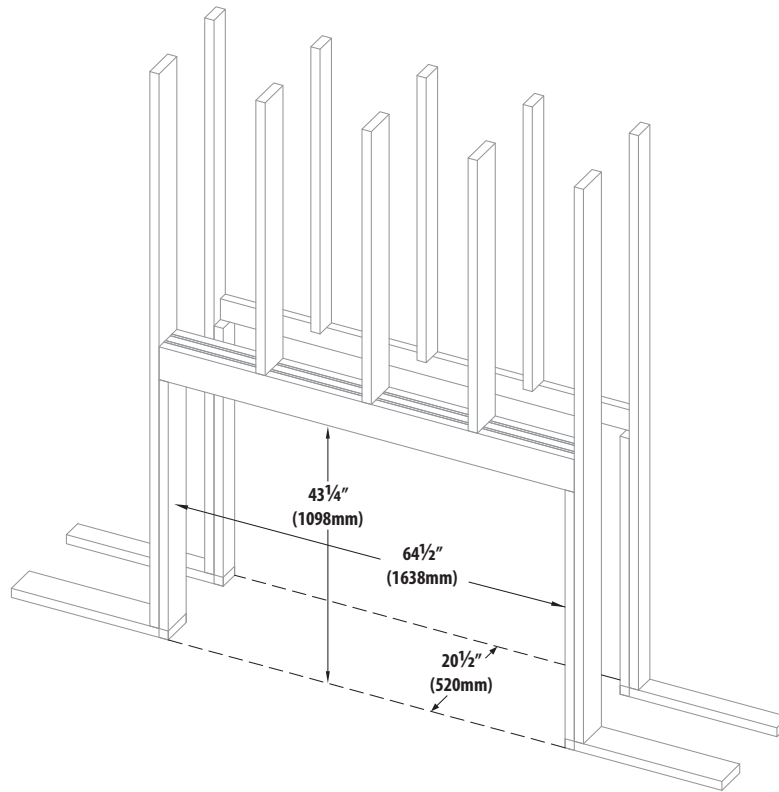


Figure 2.1, Framing Dimensions

3.0 INSTALLATION

3.1 Remove Access Cover

1. Locate the access cover on the back/fixed side of the appliance. Remove and discard access cover. Do not remove access/front side access cover.
2. Remove and discard access cover brackets, (2) screws each. See Figure 3.1.

3.2 Exterior Stand-off Installation

1. Remove and discard the appliance nailing flanges and top stand-offs for the fixed/back side of the appliance ONLY. Nailing flanges and top stand-offs for the access/front side of the appliance must be installed. See #CLW-ST installation manual.
2. Attach the top, left, and right exterior stand-offs (A) as shown in Figure 3.2. Align the holes in the exterior stand-offs with the holes in the outer shell of the appliance. Secure with included (16) sheet metal screws.

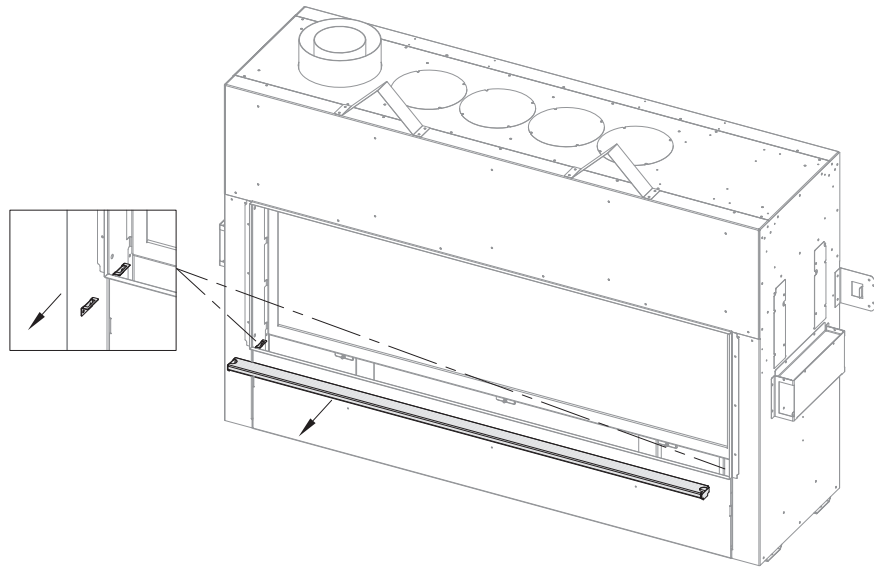


Figure 3.1, Remove Access Cover and Access Cover Brackets

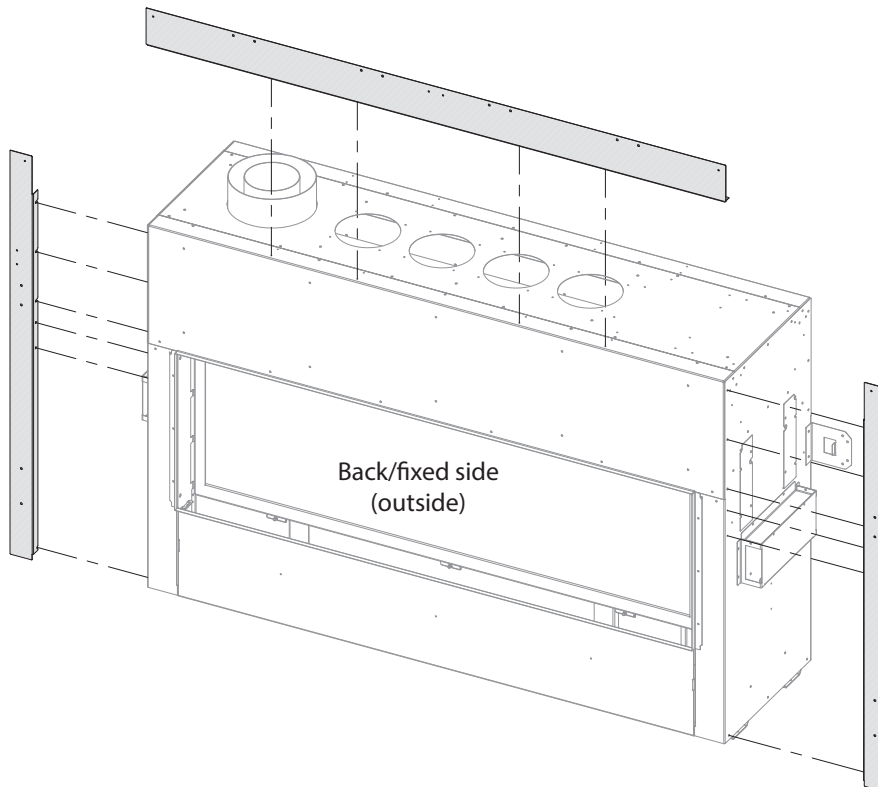


Figure 3.2, Exterior Stand-offs Installation

3.3 Steel Framing Assembly Installation

The steel vertical framing members are identical. The top, bottom, left, and right steel framing pieces are unique and distinguishable. The top steel framing piece is flat, and the bottom steel framing piece top flange slopes upward to divert water away from the appliance. The hollow area on the backside of the left and the right steel framing pieces will face outward.

When assembled, the steel frame assembly flanges will face inside and create a continuous finishing edge.

It is strongly recommended you insulate behind the steel framing assembly. If you plan to insulate, fill the void area on the backside of the steel framing assembly before attaching to the fireplace. Insulate using unfaced insulation products listed as noncombustible per ASTM E 136.

1. Attach the left and the right side steel framing pieces to the top and the bottom steel framing pieces, as shown in Figure 3.3. Secure the side pieces to the top and the bottom pieces with (8) sheet metal screws.
2. Insert the tabs on the vertical steel framing members into the slots of the top steel framing piece. Hand bend the tabs out to secure the vertical steel framing members to the top piece of the steel framing assembly.
3. Align the holes on the back of the steel framing assembly (B) with the holes in the exterior stand-offs (A). The existing finishing edge on the appliance will fit inside of the steel framing assembly. Secure with (19) sheet metal screws.

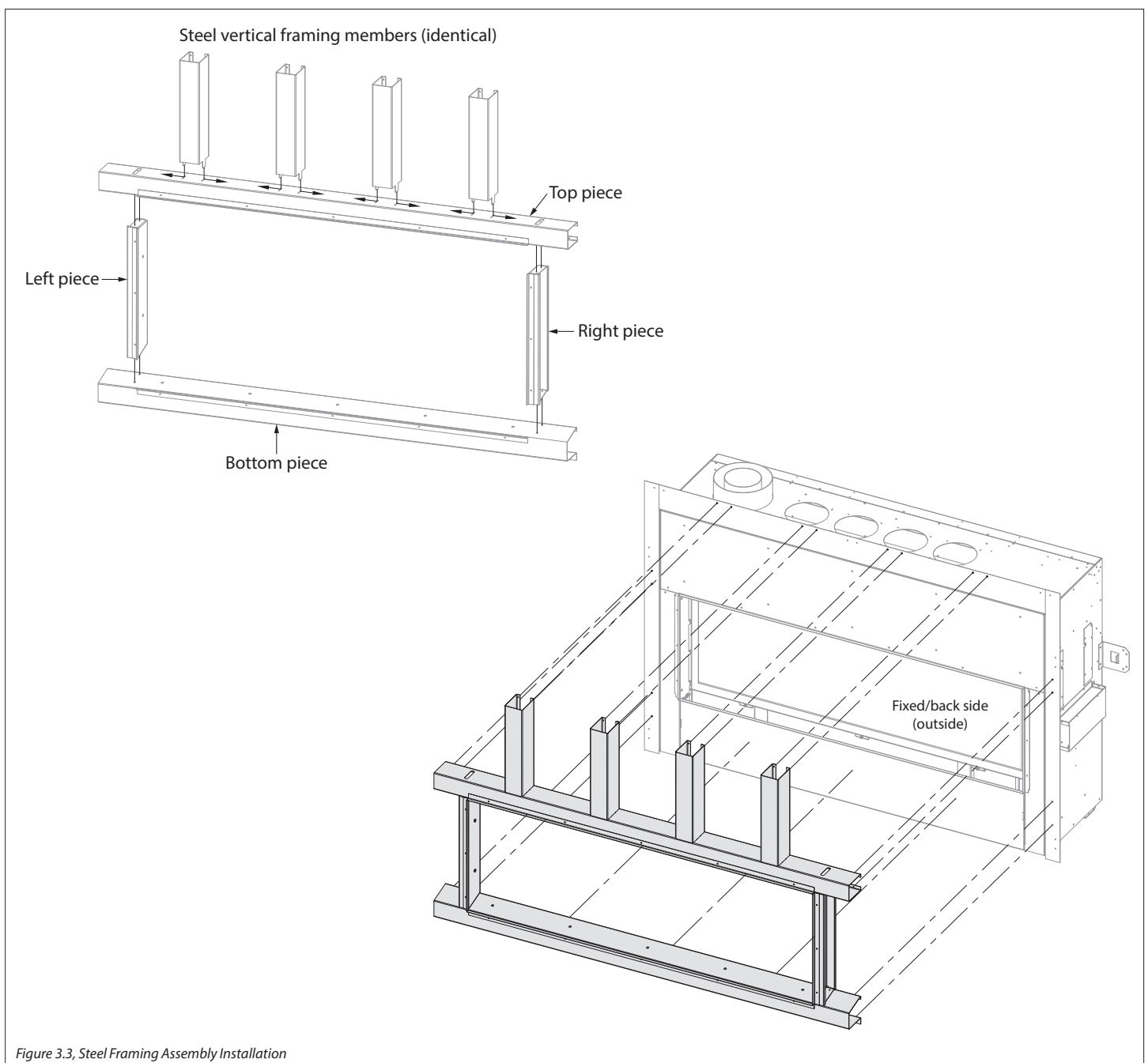
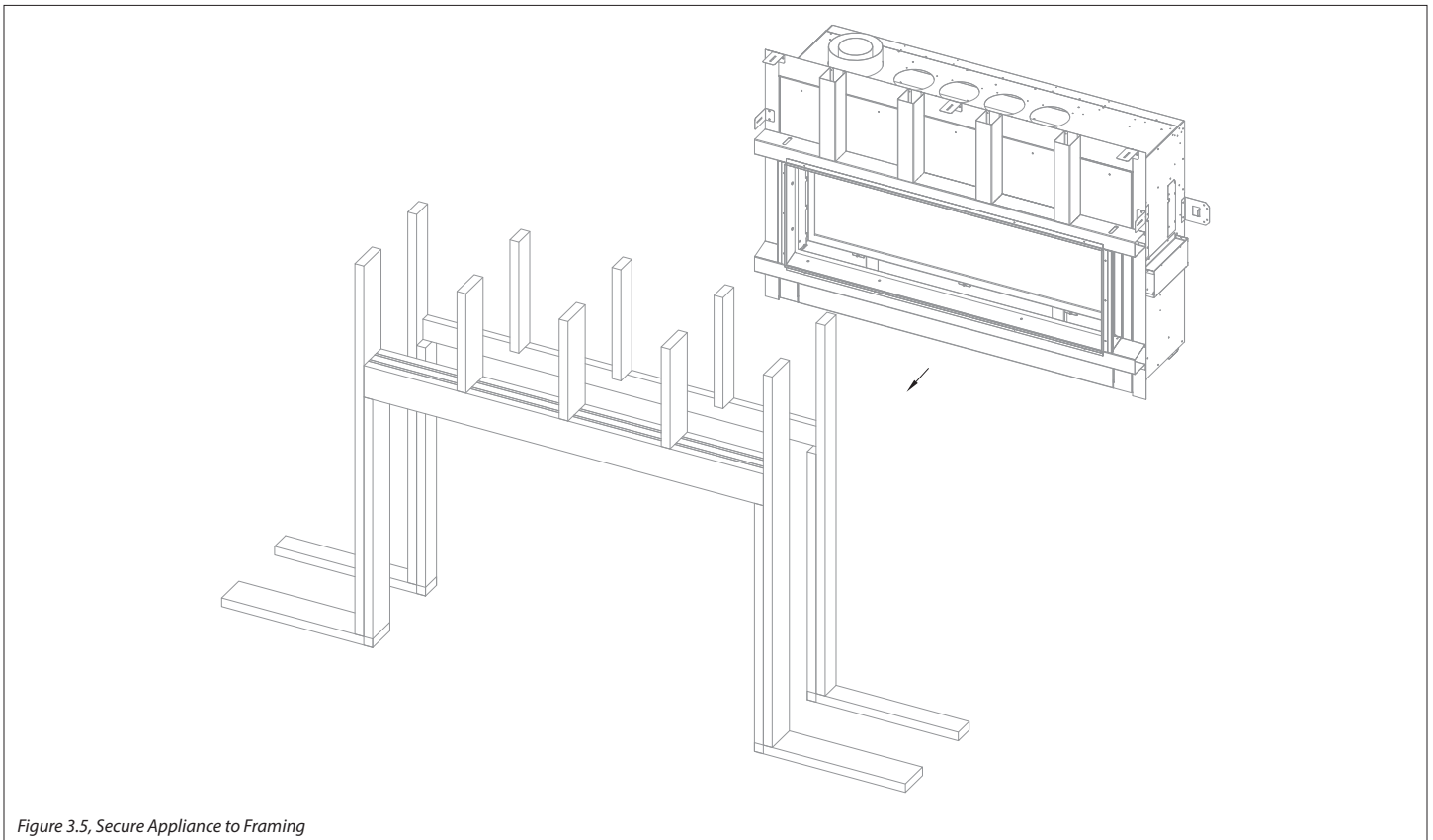
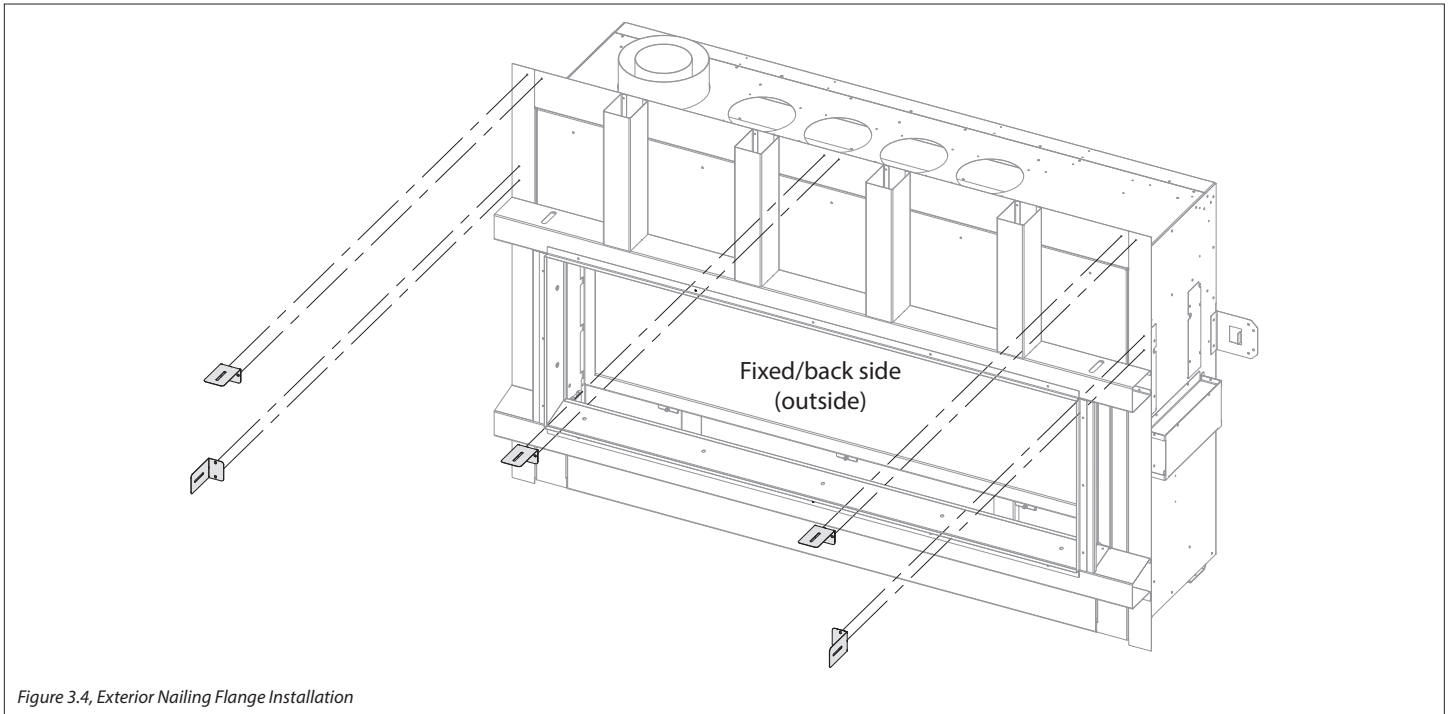


Figure 3.3, Steel Framing Assembly Installation

3.4 Attach Exterior Nailing Flanges

1. Attach the exterior nailing flanges (C) to the exterior stand-offs (A) through the holes with (10) sheet metal screws. Verify the side of the flanges with slots are facing away from the fireplace. See Figure 3.4 below.
2. Position the appliance into framing as shown Figure 3.5. Secure the appliance to exterior framing. Refer to Section 2.0 Framing on page 5 to verify framing dimensions.
3. Refer to the #CLW-ST installation and operation manual for more information on securing the appliance interior nailing flanges to interior framing.



3.5 Install Rear Glass Frame Assembly

Verify appliance convection baffles are removed. See #CLW-ST installation manual for more information.

- Before installing the rear glass frame assembly (D), it may be necessary to clean the appliance fixed/back side glass frame assembly and the glass pane (F). It will be very difficult to clean glass after these steps. Clean glass window with a suitable fireplace glass cleaner using a soft cloth. Abrasive cleaners must not be used. Be careful not to scratch the glass when cleaning.

1. Angle the rear glass frame assembly (D) to fit through the opening, as shown in (i) in Figure 3.6. Rotate the rear glass frame assembly back to vertical position.
2. Align the holes in the tabs on the top of the rear glass frame assembly with the holes in the heat shield inside the appliance, as shown in (ii) in Figure 3.6 below. Secure with (4) sheet metal screws.
3. Align the holes in the rear glass frame assembly sides to the mounting nuts in fireplace metal cabinet. Secure with included (4) truss head screws as shown in (iii) in Figure 3.6 below.

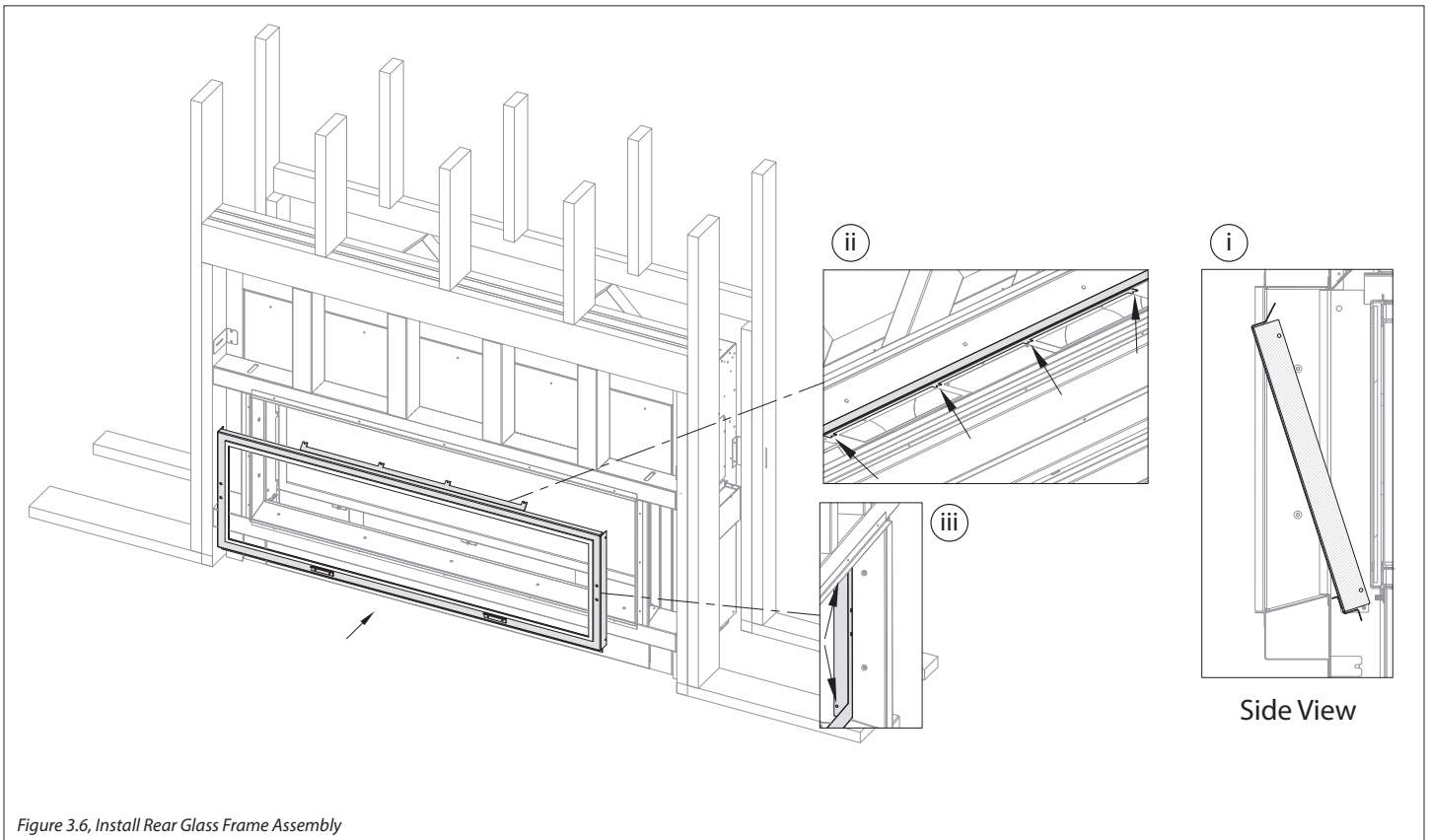


Figure 3.6, Install Rear Glass Frame Assembly

3.6 Weatherproof Outdoor Kit

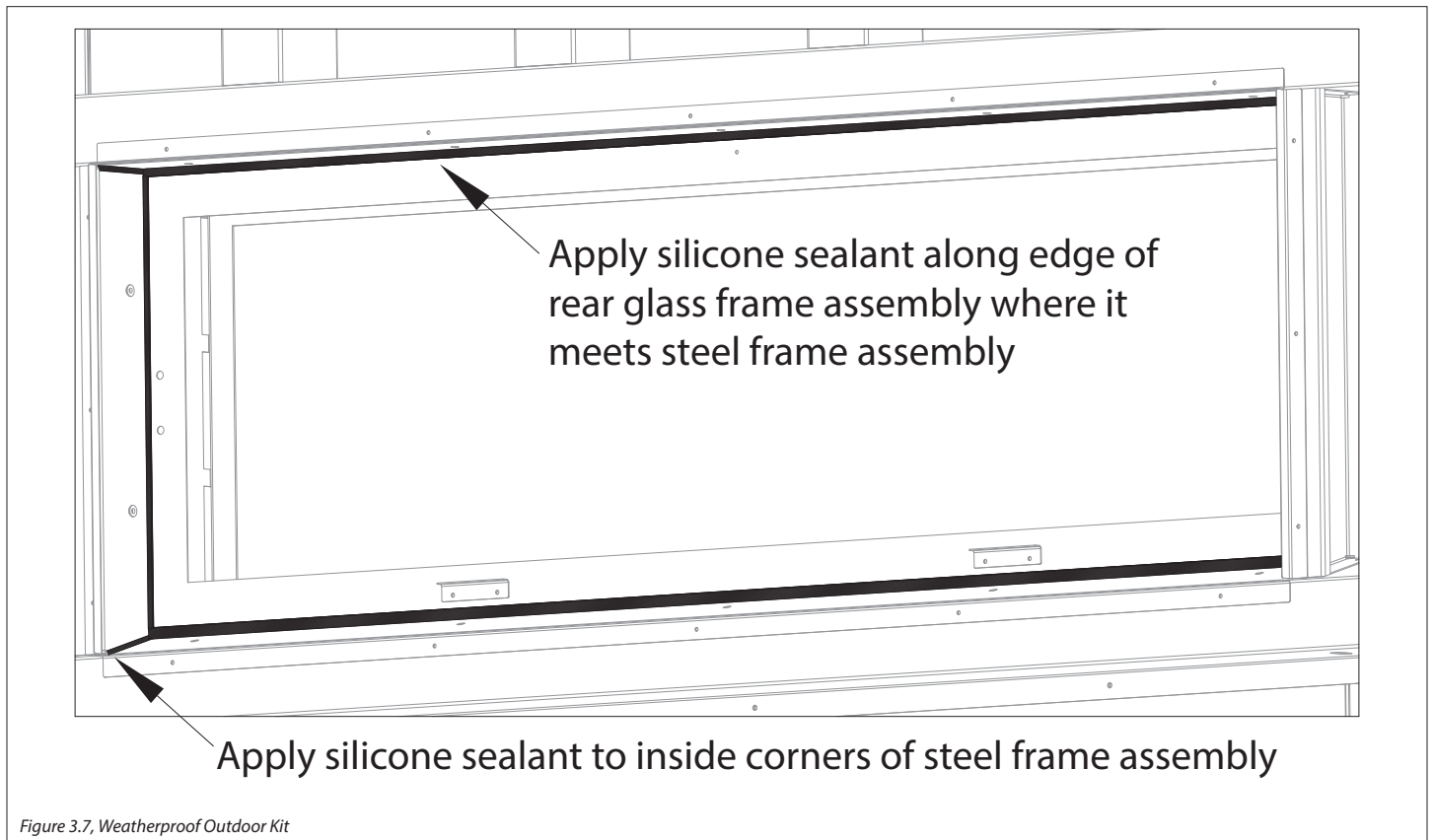
Verify all framing dimensions and installation procedures up to this point.

Required Sealant Specifications: Any outdoor rated silicone sealant with a minimum temperature rating of 300°F is approved for use.

Once you apply silicone to the edges of the rear glass frame assembly and steel framing assembly, these parts will be secured and be very difficult to remove. After weatherproofing, you will have to remove the silicone sealant to access the glass pane (F) or the fixed/back side glass frame assembly on the appliance.

Refer to local building codes for flashing.

1. Apply a bead of silicone sealant along the edges of the rear glass frame assembly (D) where it meets the steel framing assembly (B).
2. Apply a bead of silicone sealant on all (4) inside corners of the steel frame assembly (B). Do not excessively silicone these edges, as the outer gasket bracket assembly (G) must be secured tightly against the steel framing assembly (B).



3.7 Install Glass Pane

1. Install the glass pane (F) onto the rear glass frame assembly (D). The glass pane will sit on the bottom brackets on the rear glass frame assembly.
2. Secure glass pane (F) to rear glass frame assembly (D) with glass pane brackets (E) with (4) truss head screws.

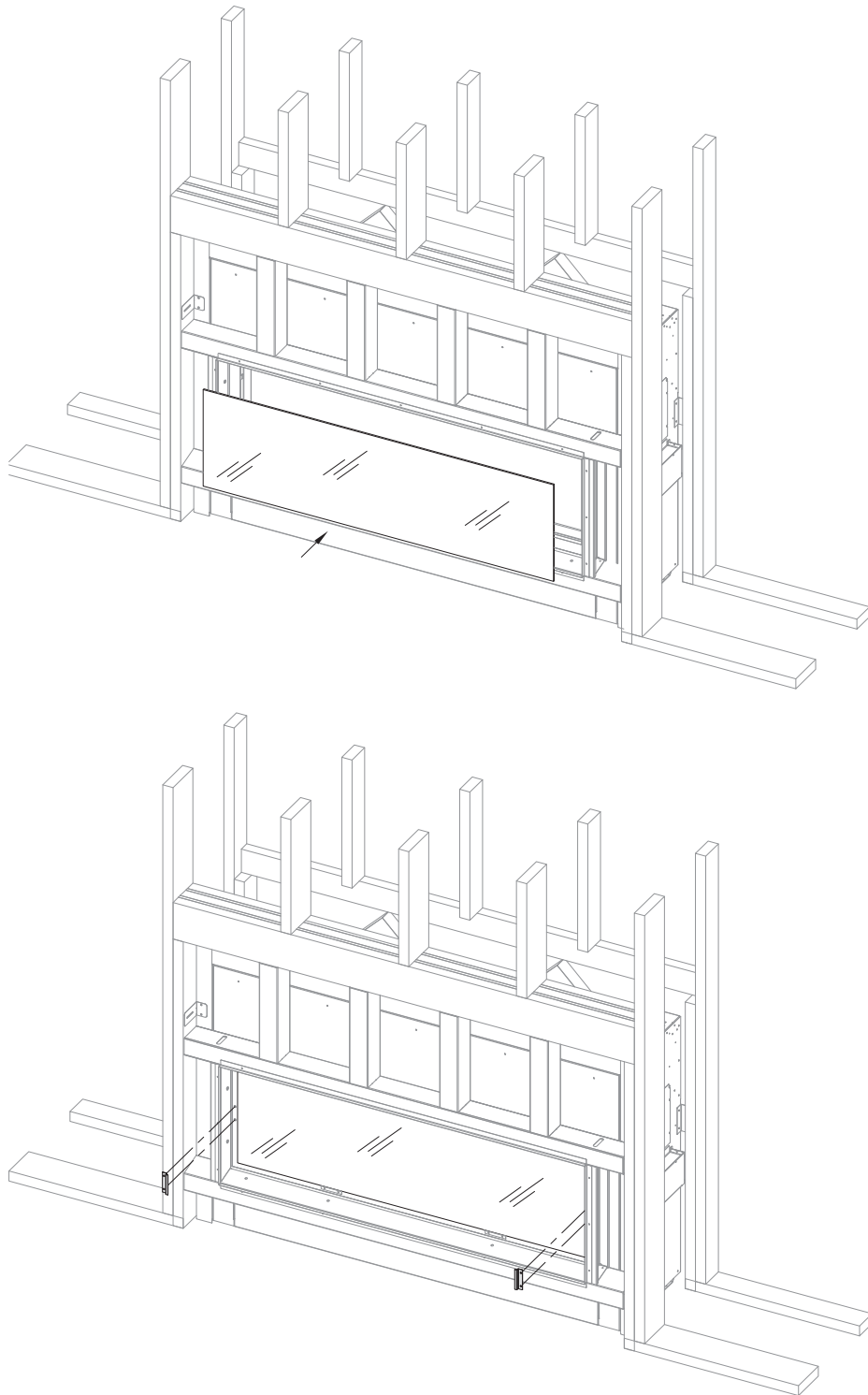
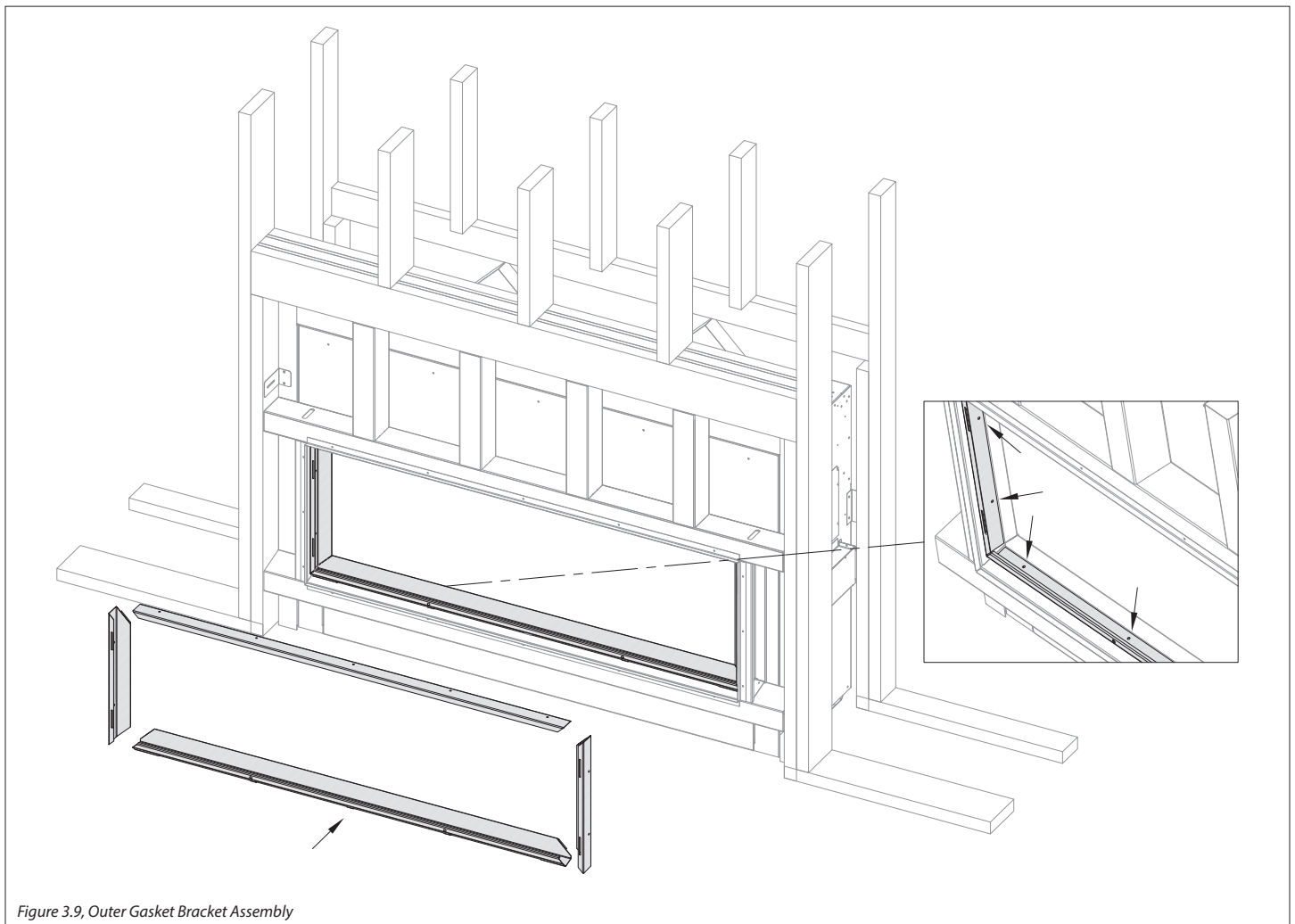


Figure 3.8, Install Glass Pane

3.8 Install Outer Gasket Bracket Assembly

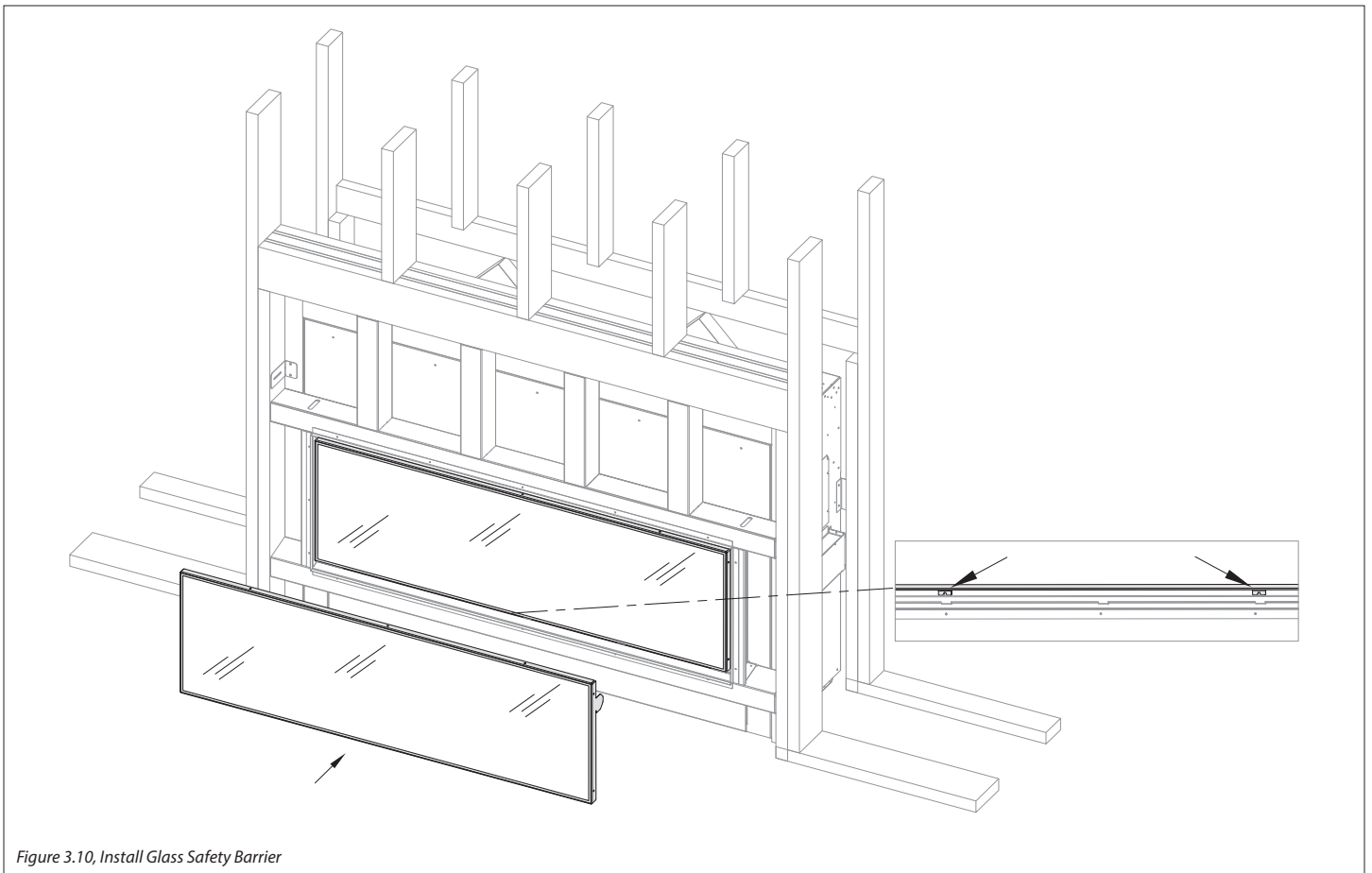
The outer gasket bracket assembly bottom bracket has cut-outs and the top bracket is smooth. The left and right pieces are interchangeable. Do not fill the cut-outs in the bottom outer gasket bracket with silicone.

1. Install outer gasket bracket assembly (G) to the steel framing assembly (B) with included truss head screws. There are (5) screws each for the top and bottom brackets, and (2) screws each side for the side brackets - (14) total truss head screws.
2. Verify there are no gaps at the corners of the brackets and gasketing is pressed firmly against the glass pane (F) to ensure proper installation and weatherproofing of the outdoor kit.



3.9 Install Glass Safety Barrier

1. Partially thread (2) truss head screws into the mounting nuts on the bottom bracket of the outer gasket bracket assembly (G).
2. Align the tabs on the back of the glass safety barrier (H) with the top notches on the side brackets of the outer gasket bracket assembly (G).
3. Push the glass safety barrier tabs into the notches in the side outer gasket brackets and verify glass safety barrier (H) is fully seated.
4. Tighten the previously partially threaded screws to permanently affix the glass safety barrier.



4.0 FINISHING

4.1 Finishing Recommendations

We strongly recommend that you insulate behind the steel framing assembly and in the cavities between the steel framing assembly. This must be done before attaching sheathing and/or finishing material. Insulate using unfaced insulation products listed as noncombustible per ASTM E 136.

Screws are allowed to penetrate the steel framing assembly to attach sheathing and/or finishing material.

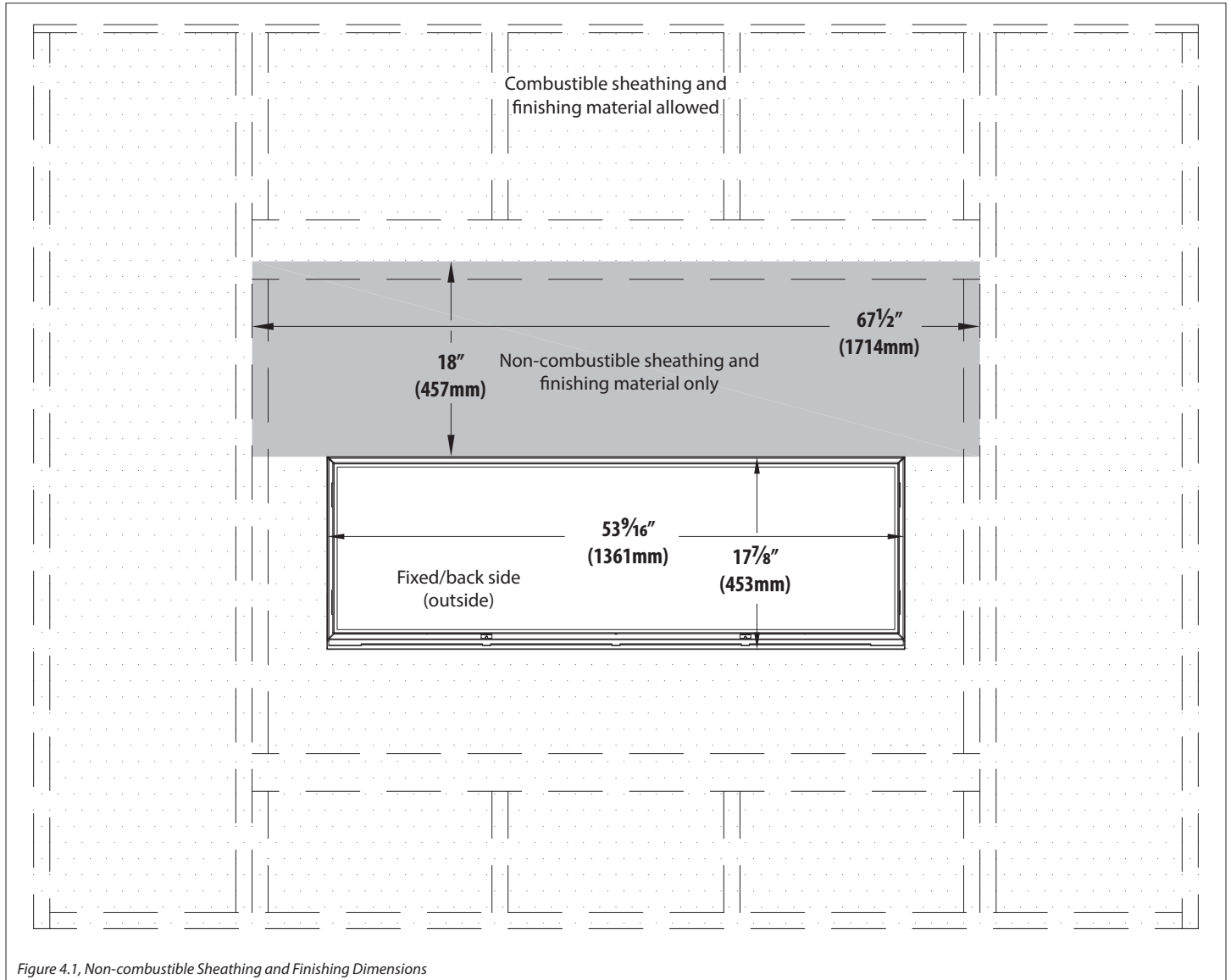


Figure 4.1, Non-combustible Sheathing and Finishing Dimensions

