

KOZY POWER VENT #KPV

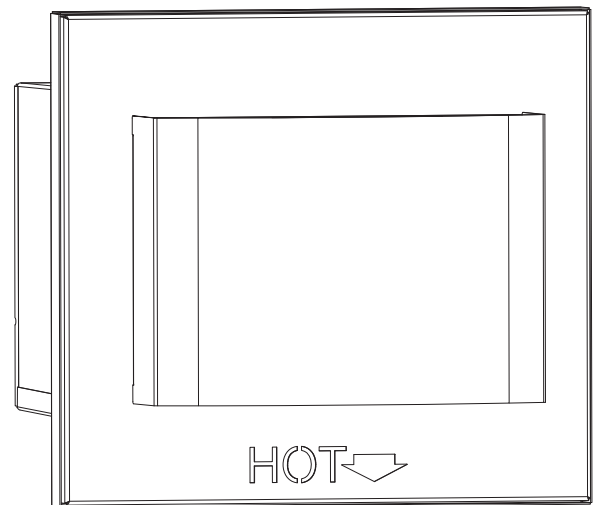


Kozy Power Vent Approved Fireplaces:
#ALP-36S, #BHM-44 #BHM-52, #CLW-40,
#CLW-50, #CLW-72, #SFD-36

INSTALLER: Leave this manual with the appliance.
CONSUMER: Retain this manual for future reference.

**READ ALL THESE STEPS
 BEFORE STARTING INSTALLATION.
 LEAVE THESE INSTRUCTIONS WITH THE
 APPLIANCE.**

This kit must be installed by a qualified installer, service agency, or gas supplier at the time of the heater installation. These instructions must be used in conjunction with the installation and operation manual provided with the appliance. Please read the appliance owner's manual completely before performing any procedures in these instructions.



1.0 INTRODUCTION.....3

1.1 Introduction.....3

1.2 Components and Service Parts List.....3

1.3 Installation.....3

2.0 VENTING4

2.1 Venting Requirements4

2.2 Unit Specific Requirements.....5

2.3 Venting and Horizontal Termination Requirements.....6

2.4 Draft Bypass Adjustment8

3.0 FRAMING AND CLEARANCES.....9

3.1 Framing and Clearances.....9

3.2 Clearances to Combustibles10

3.3 Rooftop Termination.....10

3.4 Termination Cap Clearances11

3.5 Installing Vent Cap.....12

4.0 ELECTRICAL INFORMATION17

4.1 Wiring to the Appliance.....17

5.0 MAINTENANCE21

5.1 Replace Fan Assembly/Vacuum Switch21

6.0 TROUBLESHOOTING23

English and French installation manuals are available through your local dealer. Visit our website www.kozyheat.com.
 Les manuels d'installation en français et en anglais sont disponibles chez votre détaillant local. Visitez www.kozyheat.com.



IMPORTANT: Failure to read and follow these instructions may create a possible hazard and will void the fireplace warranty.

1.0 INTRODUCTION

1.1 Introduction

The #KPV is certified for use as a horizontal termination cap only for use with the ALP-36S, BHM-44, BHM-52, CLW-40, CLW-50, CLW-72, and SFD-36 direct vent fireplaces.

Control system configurations:

- The battery-backup feature cannot be used with #KPV
- The wired wall switch feature cannot be used with #KPV
- An appliance with #KPV installed cannot be operated with battery back-up or a wired wall switch

The #KPV operates on 120VAC, 60Hz electrical service which is supplied at the fireplace junction box. The current draw of this device is 0.85 amperes.

The following vent pipe manufacturers are approved for use with the Kozy Power Vent: American Metal Products (Ameri-Vent), BDM, ICC, Metal Fab, Olympia Chimney Supply, Inc., Selkirk, and Simpson DuraVent.

IMPORTANT OPERATIONAL NOTE: *When the control being used to run the fireplace is activated, there will be up to a 120 second delay before pilot ignition will begin. This is to allow a pre-ignition purge by the #KPV. If after 135 seconds the pilot and burner do not light, refer to Section 6.0 on page 23 of this manual. There will be also 120 second post-operation purge in which #KPV will continue to run after the appliance is turned off.*

NOTE: *The fan motors present in this power vent will generate sound during operation. The effects of the increased sound level can be minimized with careful planning during installation of the system.*

1.2 Components and Service Parts List

1.2.1 Service Parts List

Replacement Parts can be obtained from your local dealer. Repair of the #KPV should only be done by a qualified service technician.

- #KPV-101 Fan Assembly
- #KPV-102 Vacuum Switch
- #KPV-103 Vacuum Tube
- #KPV-104 Cover Assembly
- #700-358 Power Vent IFC Wire Harness

1.2.2 Power Vent Wire Harness - Required

The wire harness connecting the #KPV to the appliance is sold separately. The length of the wire harness needed varies by installation.

- 10' pv wire harness
- 20' pv wire harness
- 40' pv wire harness
- 60' pv wire harness
- 80' pv wire harness
- 100' pv wire harness

1.2.3 Optional Components

- Power Vent Finishing Extension Kit: #KPV-FEK

1.3 Installation

1.3.1 Installation Precautions

- This device must be installed by a qualified installer in accordance with these instructions.
- Safety inspection of the venting system should be performed before and after installation of this power vent. Installation of the Kozy Power Vent must comply with local, regional, provincial, state, and national codes and regulations.
- DO NOT INSTALL DAMAGED EQUIPMENT OR VENT COMPONENTS
- Disconnect electrical power supply before making wiring connections.
- Venting of more than one appliance in a common vent system is prohibited.
- Clearances between the vent pipe and combustible materials must be maintained.
- WARNING: Failure to install, operate, and maintain the power venting system in accordance with manufacturer's instructions will result in conditions which may produce bodily injury and/or property damage.

1.3.2 Installation Guidelines

- The exit termination of mechanical draft systems shall not be less than seven feet above grade when located adjacent to public walkways.
- A mechanical drafting venting system shall terminate at least three feet above any forced air inlet located within 10 feet.

1.3.3 Painting Requirements

The #KPV may be painted to a desired color. The paint selected must have sufficient temperature and environmental ratings as described below.

- Prior to painting the #KPV cover assembly, sand the existing coating with sandpaper or steel wool.
- The front of the cap cover assembly may be field-painted and cured up to 400 degrees Fahrenheit (204° C). All remaining parts of the cap may be painted, but they may not be cured beyond 190°F (88°C) due to gaskets and components overheating.
- Certain areas of the cap surface may reach up to 600° F (316°C). Paints selected should have sufficient temperature ratings.
- Cap cover assembly contains silicone sealant which could affect adherence of paint. Please advise local painter of silicone content.

2.0 VENTING

2.1 Venting Requirements

For information on standard procedures for venting the appliance, refer to the venting section of your specific appliance installation manual.

- The #KPV is for use 4" x 6-5/8" coaxial rigid direct vent pipe. Depending on your appliance, the vent size must be reduced to 4" x 6-5/8". See appliance installation manual for approved venting.
- A minimum of 1" (25mm) clearance on all sides of the vertical vent pipe must be maintained. Attic insulation shields may be insulated using unfaced insulation products listed as noncombustible per ASTM E 136.
- A minimum of 1" (25mm) clearance on all sides of the horizontal vent pipe at the wall pass-through must be maintained. Wall thimble products that comply with the required 1" (25mm) clearance to combustibles must be installed for all horizontal vent runs that pass through interior or exterior walls. These wall thimble products may be insulated using unfaced insulation products listed as noncombustible per ASTM E 136.
- For every 1' of vertical drop, the total allowable length must be reduced by 2'.
- **If a pipe configuration includes a vertical component that goes downward, a vertical component going back upward is not allowed.**
- **Before installation**, apply a bead of the provided sealant around the inner exhaust pipe connection on the fireplace and the power vent assembly. See Figures 2.1 and 2.2. Each individual pipe manufacturer may require or recommend additional sealant in between each vent pipe connection. After completing the vent pipe installation, ensure all of the vent pipe connections are sealed properly before fireplace operation.

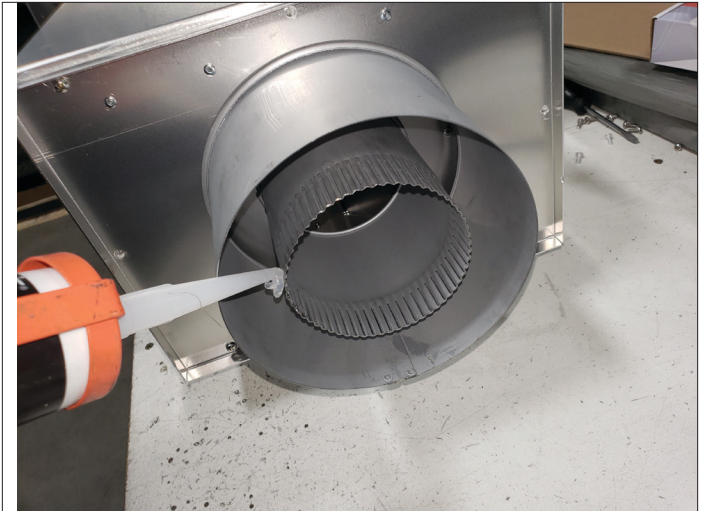


Figure 2.1, Silicone Inner Exhaust on Power Vent Assembly



Figure 2.2, Silicone Inner Exhaust on Fireplace

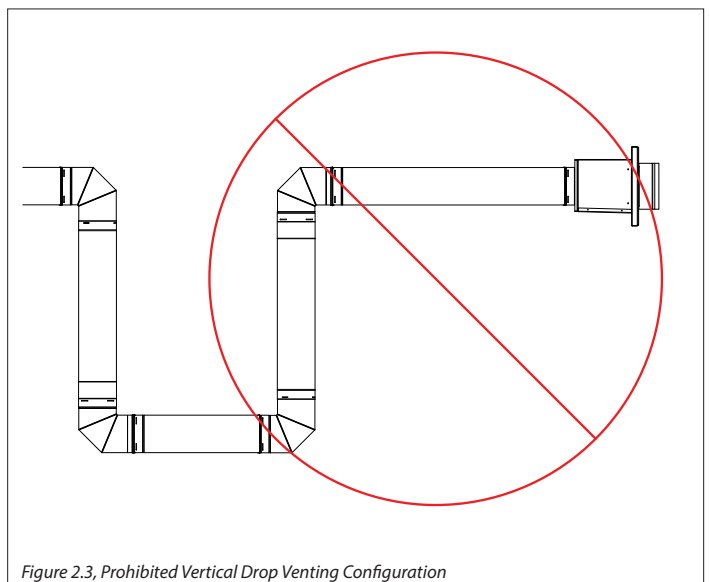


Figure 2.3, Prohibited Vertical Drop Venting Configuration

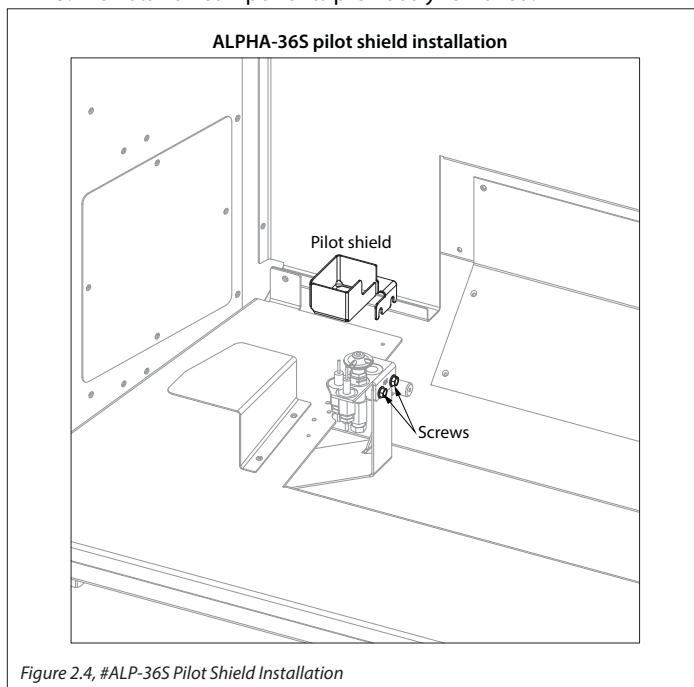
2.2 Unit Specific Requirements

2.2.1 Alpha 36S

- Model #ALP-36S can have a 4" x 6-5/8" reducer right off the top of the appliance.
- Model #ALP-36S requires a pilot shield to be installed. The pilot shield is included in the #KPV parts packet.

To install the pilot shield:

1. Remove the log set and the burner. See installation manual for more information.
2. Loosen, but do not remove, the (2) screws securing the pilot assembly to the pilot bracket.
3. Insert the pilot shield slots onto the pilot bracket screws, as shown in Figure 2.4.
4. Re-tighten screws.
5. Reinstall all components previously removed.

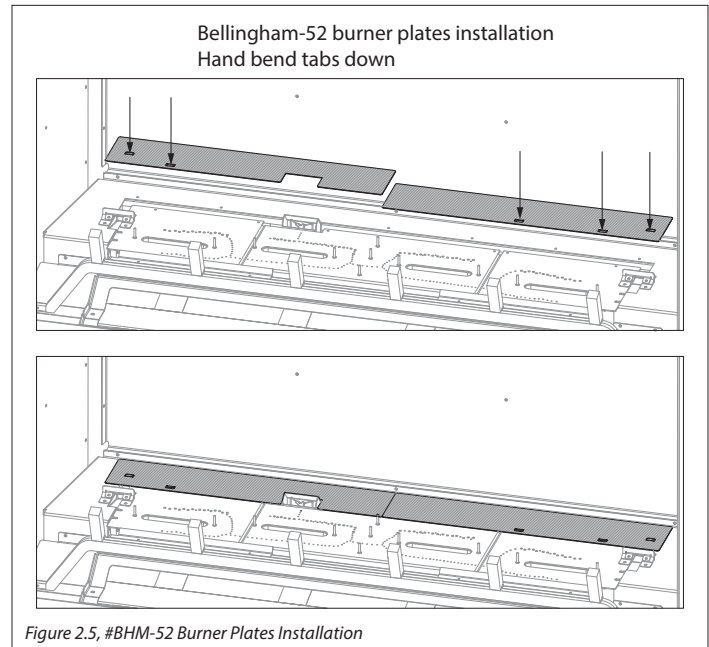


2.2.2 Bellingham 52

- Model #BHM-52 can have a 4" x 6-5/8" reducer right off the top of the appliance.
- If your venting configuration has more vertical length than horizontal run, we recommend to adjust the draft bypass setting to #1 for proper flame appearance. Further adjustment may be needed. See Section 2.4 Draft Bypass Adjustment on page 8.
- Model #BHM-52 requires burner plates to be installed. The burner plates are included in the #KPV parts packet.

To install the burner plates:

1. Hand-bend the tabs on the burner plates so the tabs are facing down to hold the burner plates in place.
2. Position the burner plates at the back of the firebox, as shown in Figure 2.5.



2.2.3 Bellingham 44

- Model #BHM-44 can have a 4" x 6-5/8" reducer right off the top of the appliance.

2.2.4 Callaway Series

- Models #CLW-40, #CLW-50, and #CLW-72 start with a 5" x 8" 45° elbow off the back of the appliance.
- Use a required 4" x 6-5/8" reducer off the elbow to keep venting inside the minimum chamber requirements.

2.2.5 Springfield 36

- Model #SFD-36 can have a 4" x 6-5/8" reducer right off the top of the appliance.

2.3 Venting and Horizontal Termination Requirements

If a pipe configuration includes a vertical component that goes downward, a vertical component going back upward is not allowed.

The #KPV System must terminate horizontally.

- Use Table 2.1 for venting guidelines. Use Figure 2.6 for a guide to calculate total vent run. Termination must be in shaded area.
- No vertical rise is required with #KPV. The venting can run horizontal directly off the appliance.

Maximum Elbows	(8) 90° or (16) 45°
Minimum Total Horizontal Vent Run	Models #ALP-36S, #CLW-40, #CLW-50, #CLW-72, #SFD-36: 6' (1.8m) Models #BHM-44 & #BHM-52: 10' (3m)
Maximum Total Horizontal Vent Run	60' (18.3 m) Do not exceed 60'
Maximum Vertical Vent Run	60' (18.3 m) Do not exceed 60'
Maximum Vertical Drop Allowed	8' (2.4 m) For every 1' (30 cm) of vertical drop the maximum total vent run is reduced by 2' (61 cm)
Maximum Total Vent Run	100' (30 m)

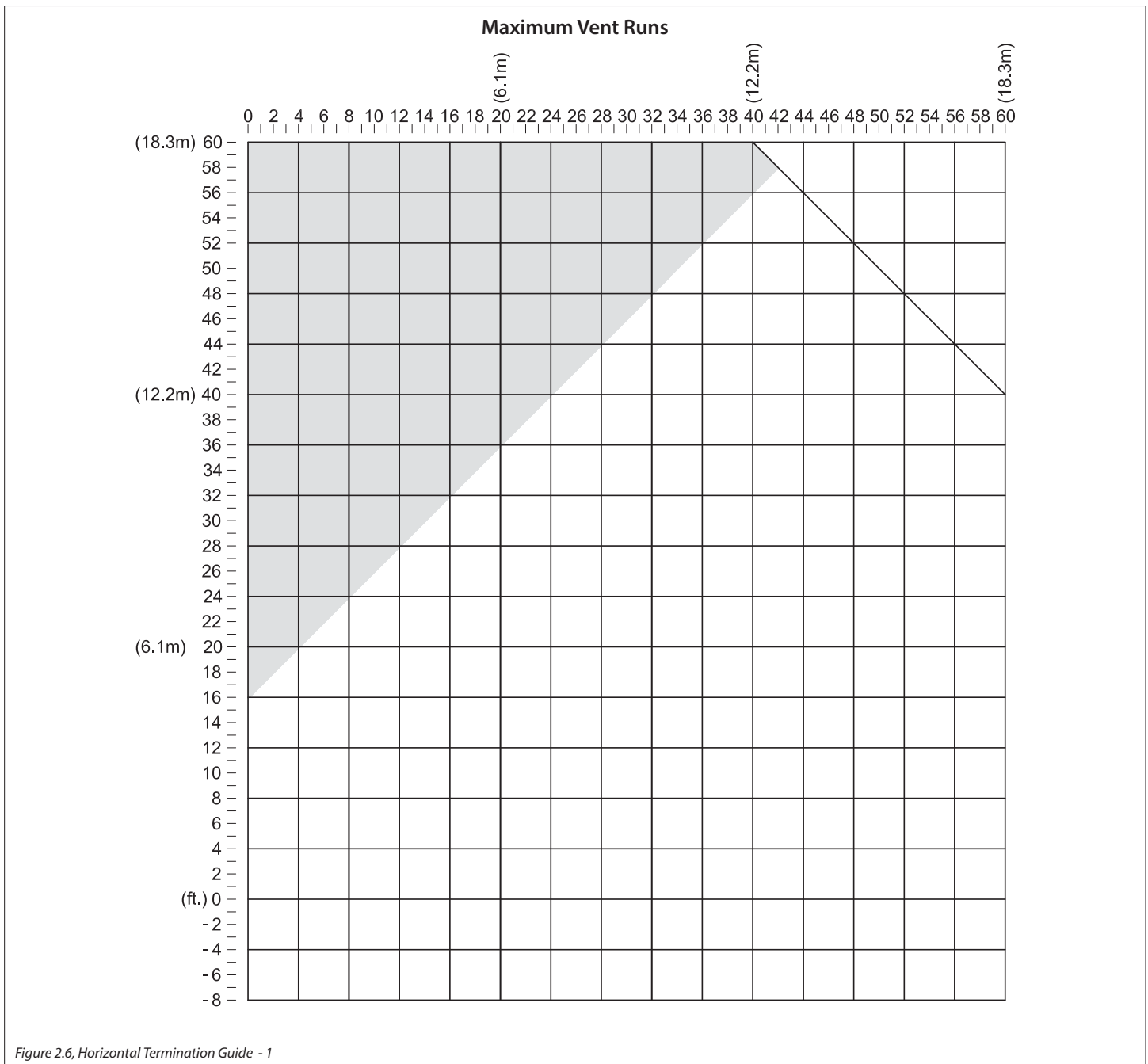


Figure 2.6, Horizontal Termination Guide - 1

2.3.1 Vent Installation Guide

Use Figure 2.7 as a guide for proper vent installation.

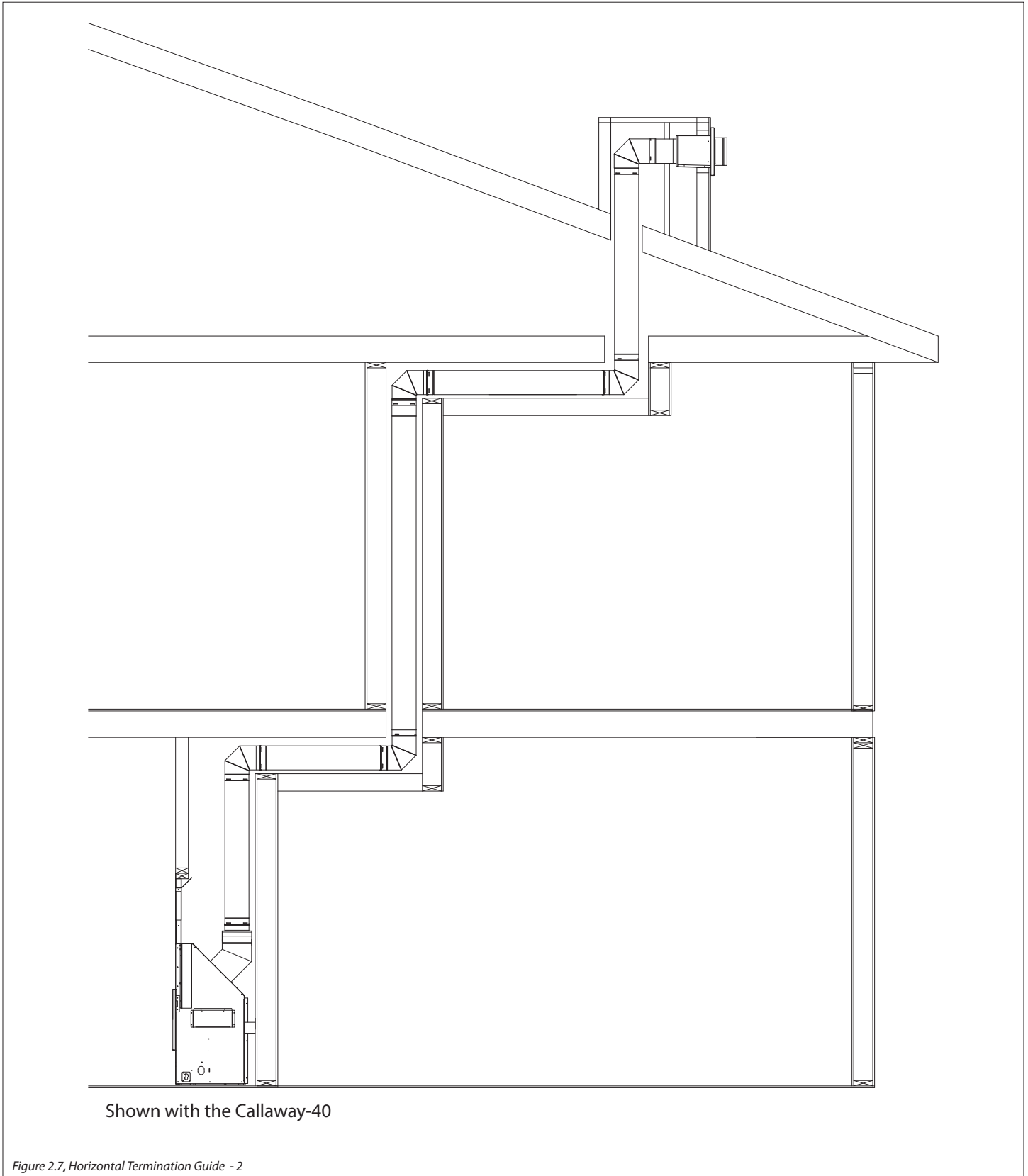


Figure 2.7, Horizontal Termination Guide - 2

2.4 Draft Bypass Adjustment

NOTE: All Kozy Power Vent systems will be shipped with the draft bypass in setting 5. Adjustment of the draft bypass setting would only occur during troubleshooting or flame appearance adjustments.

The draft bypass system is factory set to setting 5; for certain vent runs the draft bypass system will need to be adjusted. To adjust the draft bypass, loosen the locking screw. Adjust clock wise or counter clockwise depending on your specific installation. See Figures 2.6, 2.7, and 2.8.

	Natural Gas	Propane
Draft Setting		
#1	Allowed	Allowed
#2	Allowed	Allowed
#3	Allowed	Allowed
#4	Allowed	Allowed
#5	Allowed	Allowed

	Natural Gas	Propane
Draft Setting		
#1	Not Allowed	Allowed*
#2	Not Allowed	Allowed*
#3	Allowed	Allowed
#4	Allowed	Allowed
#5	Allowed	Allowed

** This draft setting is allowed on all vent configurations except a vent configuration with a vertical drop*

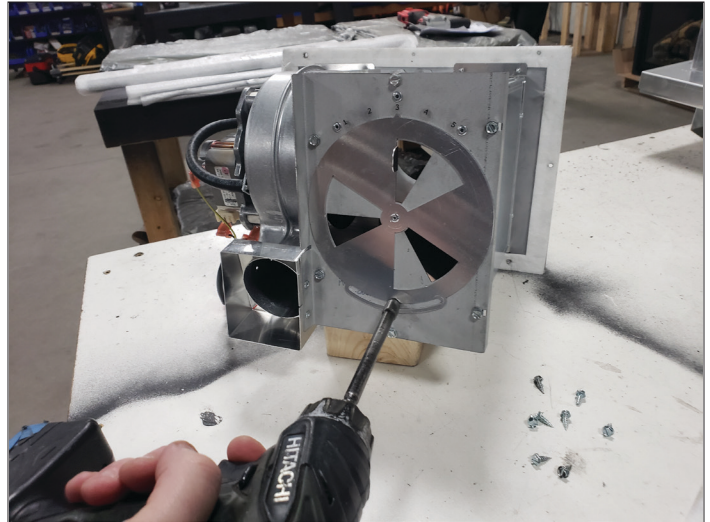


Figure 2.8, Loosen Locking Screw



Figure 2.9, Adjust the Draft Bypass



Figure 2.10, Shown in Position 3

3.0 FRAMING AND CLEARANCES

3.1 Framing and Clearances

Dimensions are shown in Figure 3.1.

IMPORTANT: Framework for #KPV **MUST** be level to ensure precipitation does not build up inside the power vent unit.

3.1.1 Framing Dimensions

Construct a framework as shown in Figure 3.2. Framework material should be the same dimensions as the material used for the wall framing.

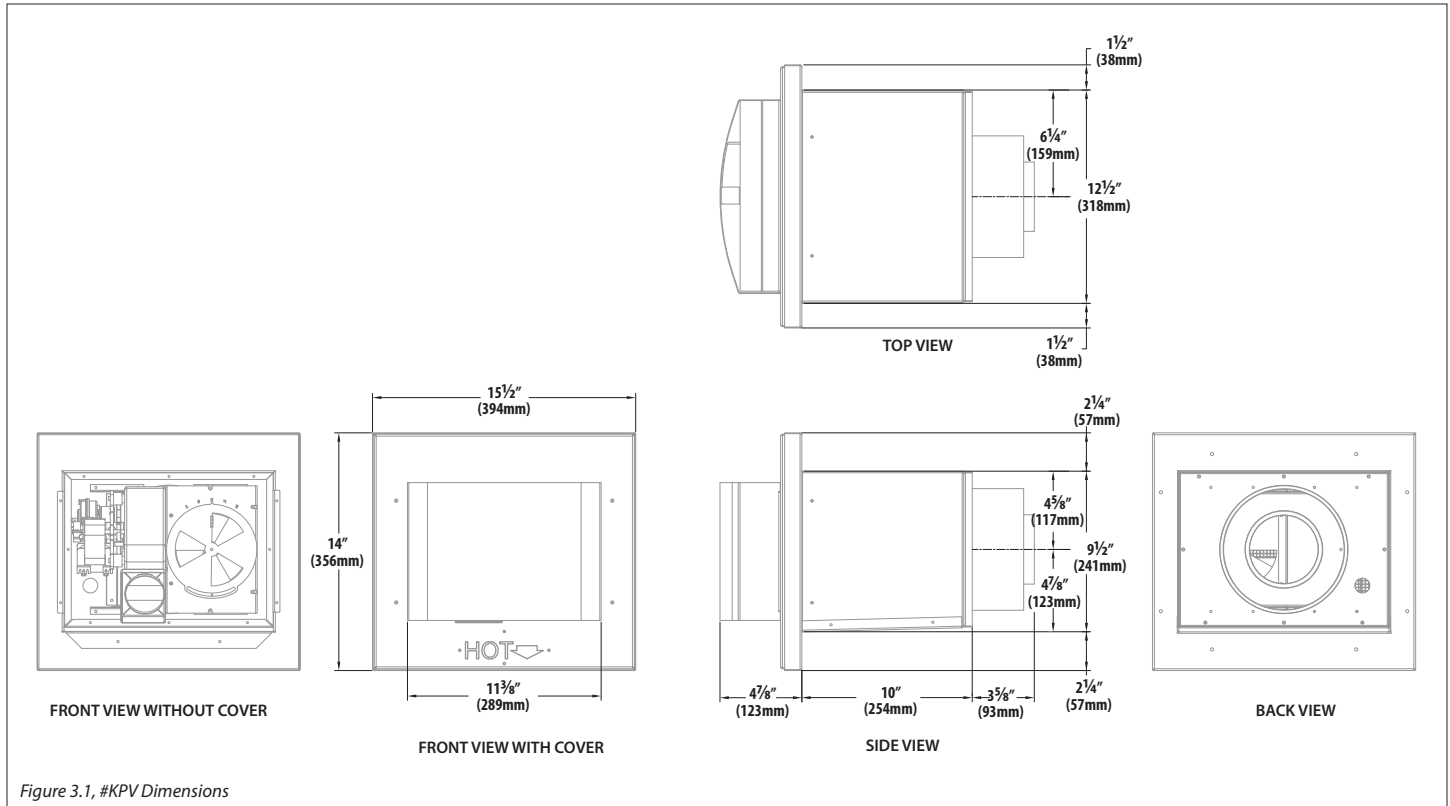


Figure 3.1, #KPV Dimensions

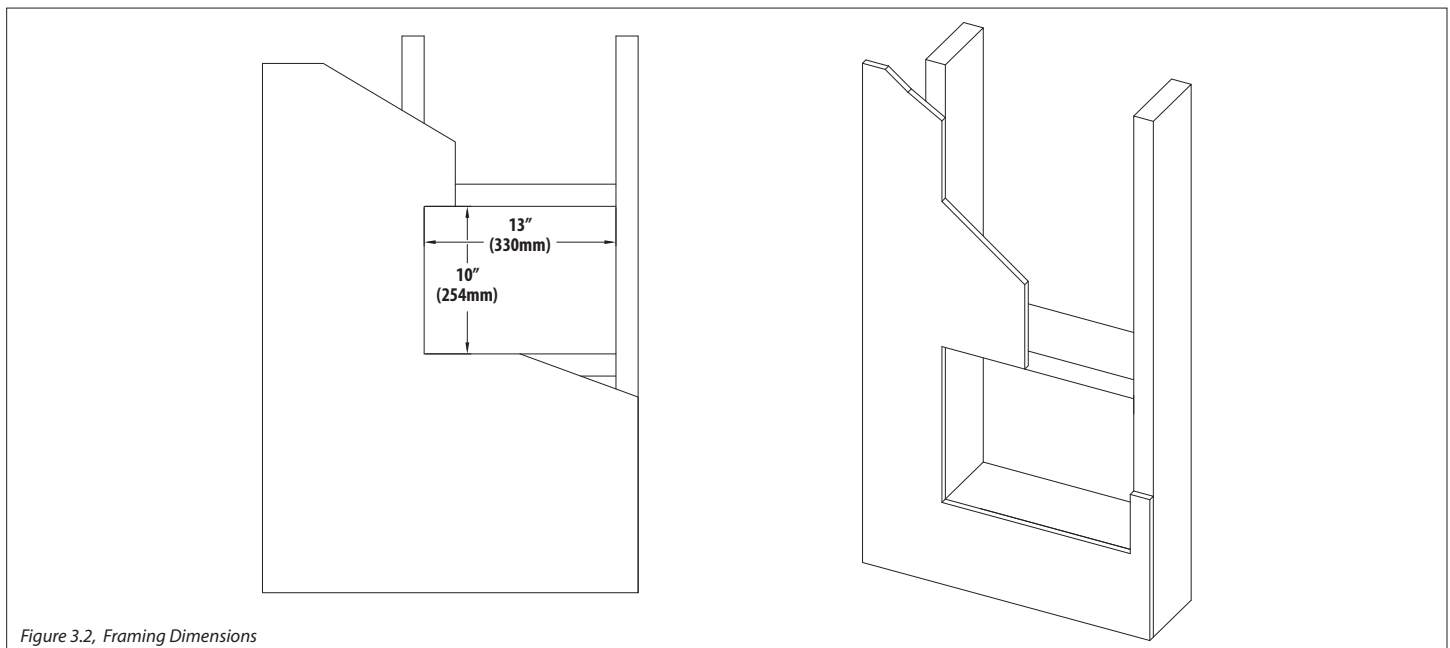
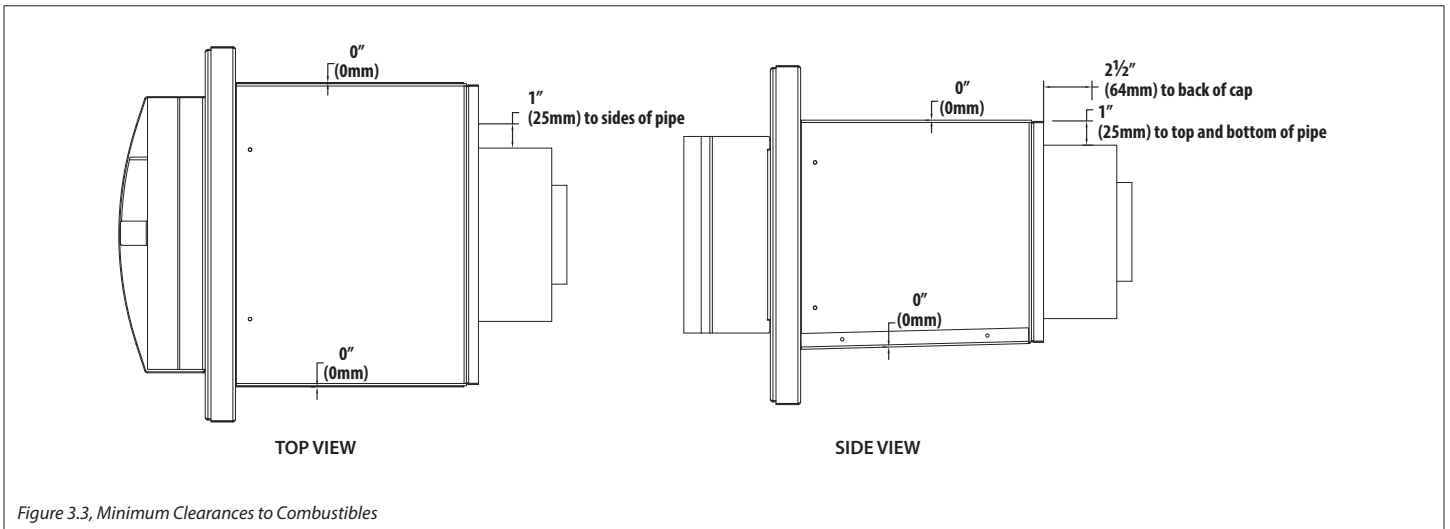


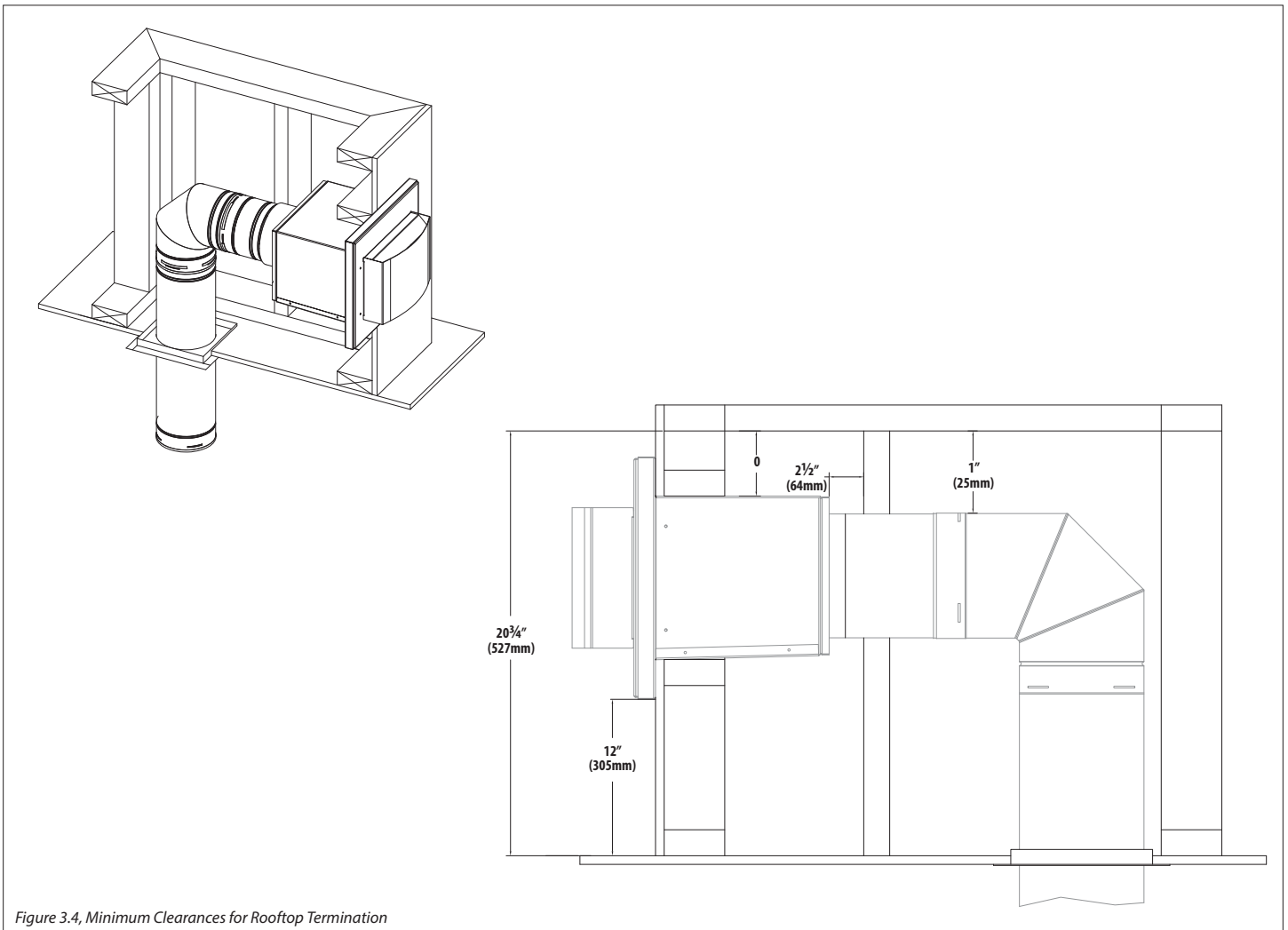
Figure 3.2, Framing Dimensions

3.2 Clearances to Combustibles



3.3 Rooftop Termination

If the #KPV is going to terminate on a flat roof, an enclosure similar to the one shown in Figure 3.4 needs to be constructed.



3.4 Termination Cap Clearances

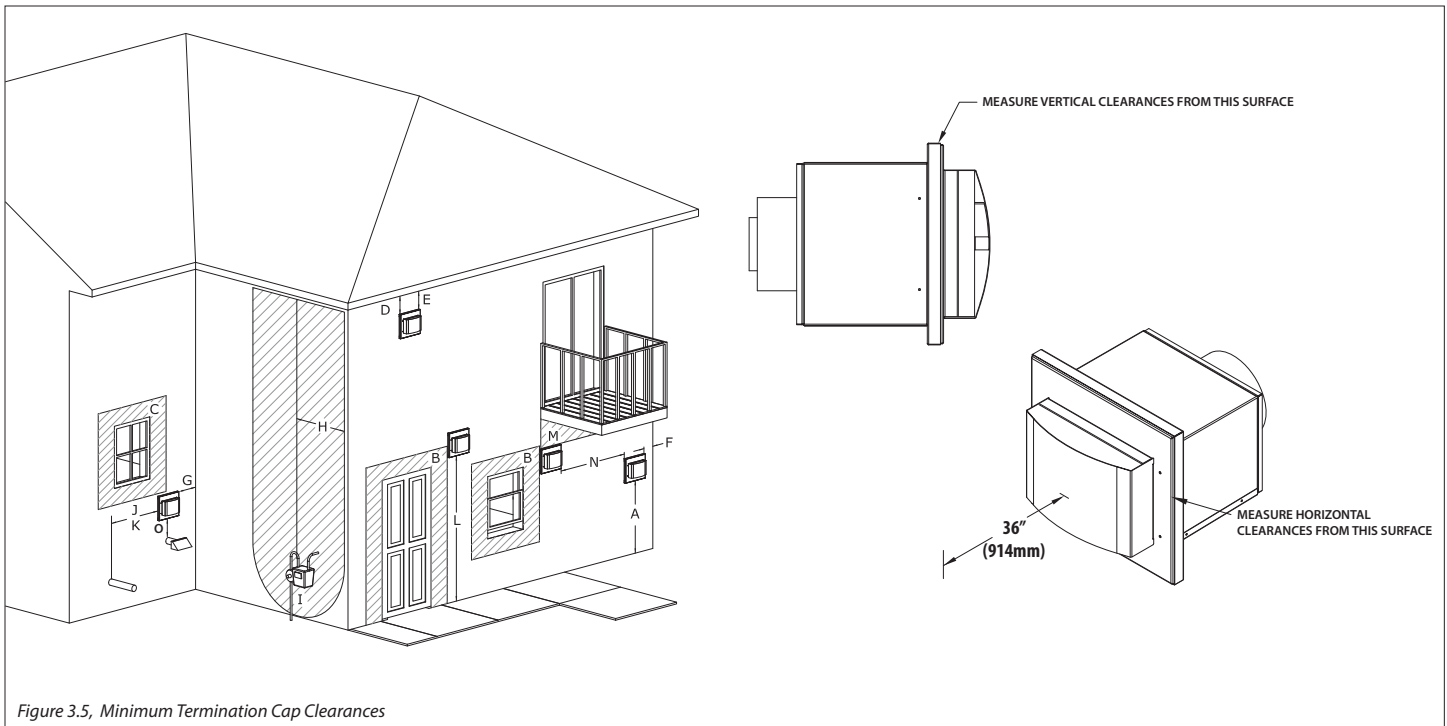


Figure 3.5, Minimum Termination Cap Clearances

		Canadian installations	US installations
A	Clearance above grade, veranda, porch, deck, or balcony	12" (30cm)	12" (30cm)
B	Clearance to window or door that may be opened	12" (30cm)	9" (23cm)
C	Clearance to permanently closed window (recommended to prevent condensation on window)	12" (30cm)*	12" (30cm)*
D	Vertical clearance to ventilated soffit located above the terminal within a horizontal distance of 2 feet (61cm) from the center line of the terminal	0" (0cm)*	0" (0cm)*
E	Clearance to unventilated soffit	0" (0cm)*	0 in (0cm)*
F	Clearance to outside corner	0" (0cm)*	0" (0cm)*
G	Clearance to inside corner	12" (30cm)*	12" (30cm)
H	Clearance to each side of center line extended above meter/regulator assembly	3' (91cm) within a height 15' (4.5 m) above the meter/regulator assembly	*
I	Clearance to service regulator vent outlet	3' (91cm)	*
J	Clearance to non mechanical air supply inlet to building or the combustion air inlet to any other appliance	12" (30cm)	9" (23cm)
K	Clearance to mechanical air supply inlet	6' (1.83 m)	3' (91cm) above if within 10' (3 m) horizontally Massachusetts: 10' (3 m)
L	Clearance above paved sidewalk or paved driveway located on public property	7' (2.13 m)†	*
M	Clearance under veranda, porch deck, or balcony	0" (0cm)‡	0" (0cm)
N	Clearance between two horizontal terminations	12" (30cm)	12" (30cm)
O	Above furnace exhaust or inlet	12" (30cm)	12" (30cm)

* Clearance in accordance with local installation codes and the requirements of the gas supplier.

† A vent shall not terminate directly above a sidewalk or paved driveway that is located between two single family dwellings and serves both dwellings.

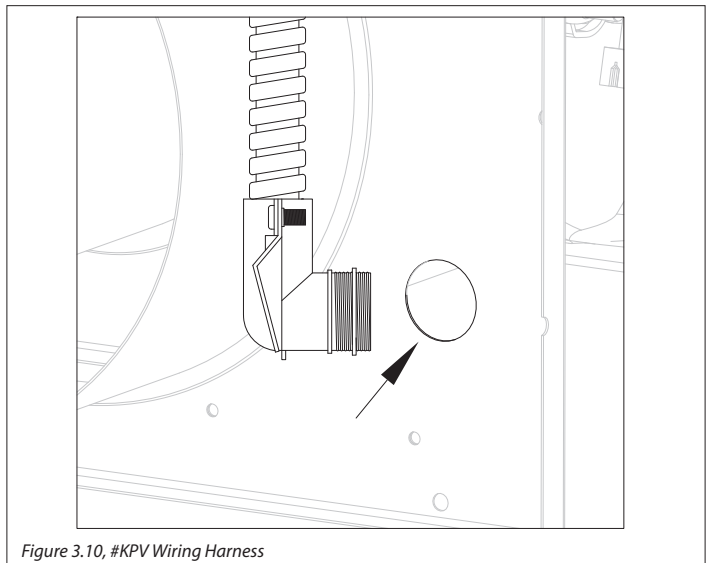
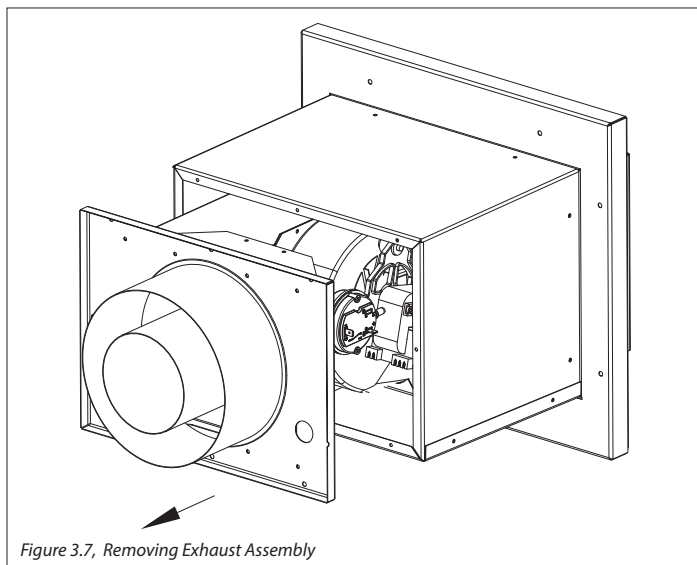
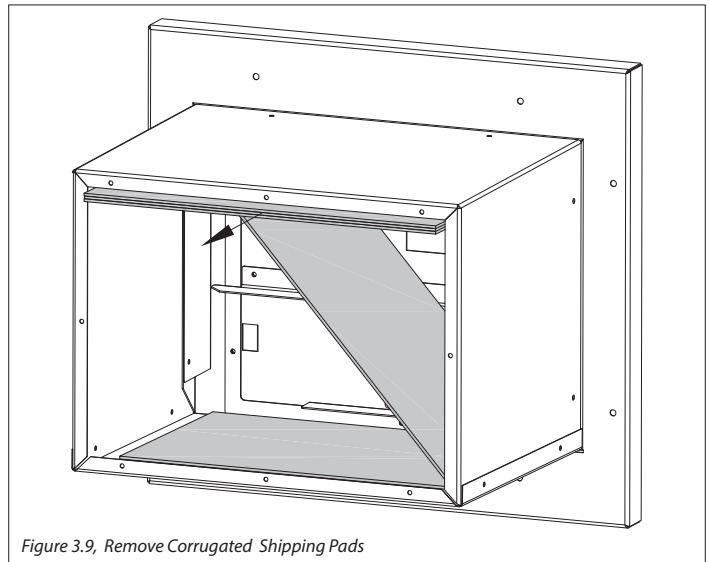
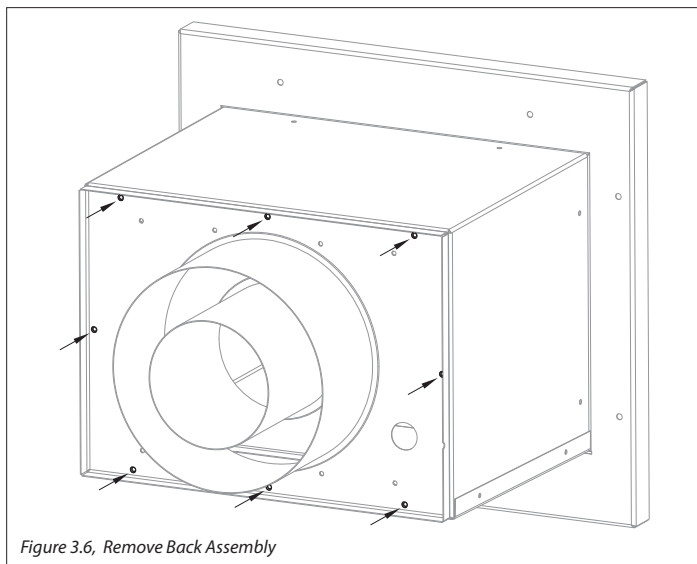
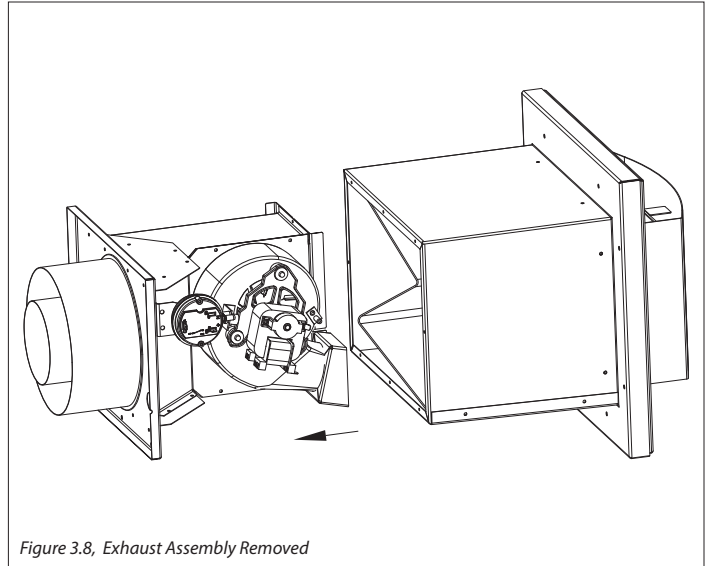
‡ Permitted only if veranda, porch, deck, or balcony is fully open on a minimum of two sides beneath the floor.

VINYL SOFFIT, VINYL CEILING, AND VINYL OVERHANG DISCLAIMER: Clearances to heat resistant material (i.e. wood, metal). This does not include vinyl. Hussong Manufacturing Co., Inc. will not be held responsible for heat damage caused from terminating under vinyl overhangs, vinyl ceilings, or vinyl ventilated/unventilated soffits.

3.5 Installing Vent Cap

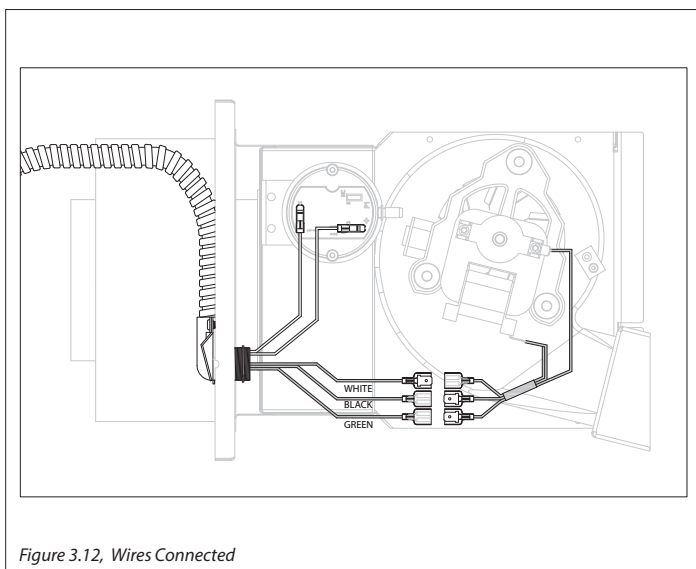
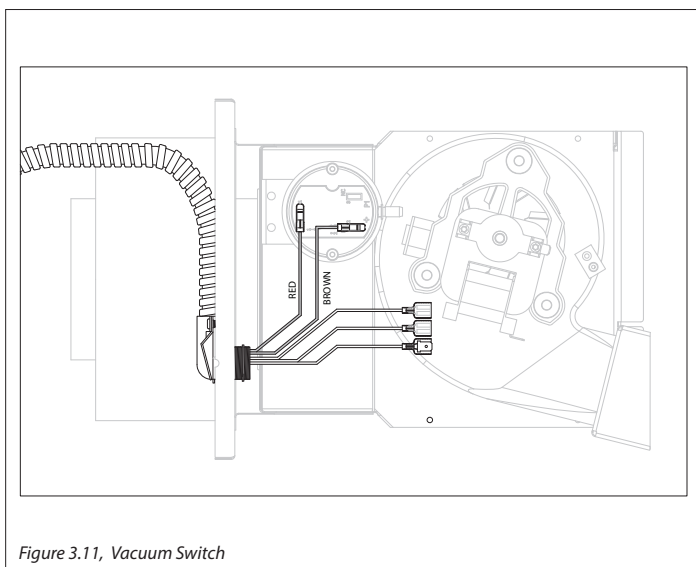
1. Remove the eight screws securing the back assembly to the cap. See Figure 3.6.
2. Slide the exhaust assembly out of the back of the cap. See Figure 3.7 and Figure 3.8.
3. Remove the two corrugated shipping pads. See Figure 3.9.
4. Install #KPV wiring harness through the electrical access hole in the back cover cap. See Figure 3.10 and Figure 3.13.

Instructions continue on the next page.



See Figure 3.13, Power Vent Internal Wiring on page 14 for wiring schematic accompanying these instructions.

5. Attach the red and brown wires to the vacuum switch as shown in Figure 3.11.
6. Attach the white and black wires from the #KPV harness to the black wires coming from the blower. Attach the green wire from the #KPV harness to the green/yellow wire coming from the fab.
7. NOTE: After all wires are connected, the wire should look like the picture in Figure 3.12.
8. Proceed to Section 3.5.1 Finishing Materials on page 15.



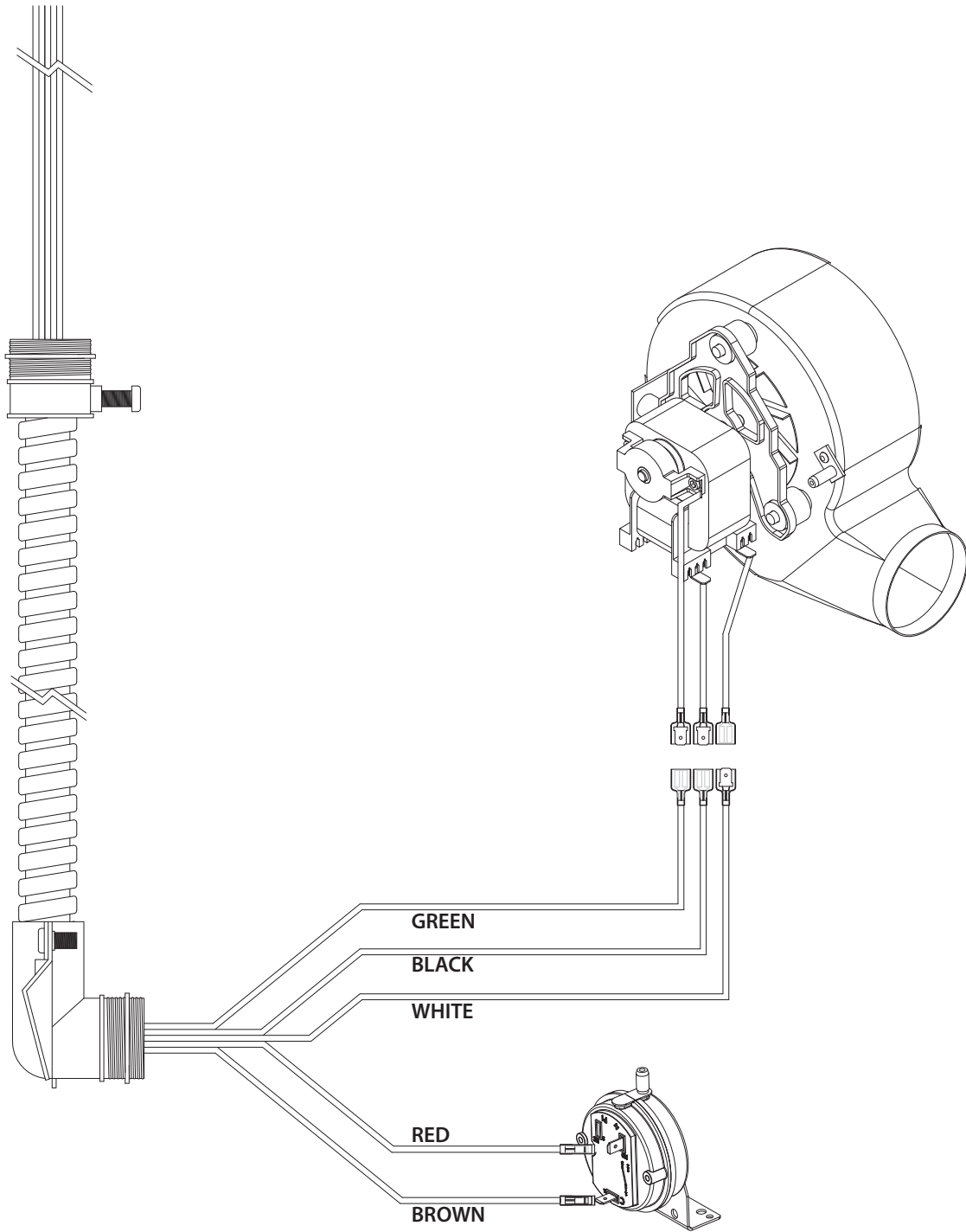


Figure 3.13, Power Vent Internal Wiring

3.5.1 Finishing Materials

NOTE: If your installation has exterior finishing materials greater than 1" (25mm) thick, a #KPV-FEK Finishing Extension Kit will be needed. The extension kit must be installed to allow for thicker exterior finishing materials for proper installation and fitting of the #HTK-EXT.

IMPORTANT: IT IS IMPERATIVE THAT #KPV-FEK IS LEVEL TO ENSURE THE POWER VENT IS LEVEL. THIS IS REQUIRED TO ENSURE PRECIPITATION DOES NOT BUILD UP INSIDE THE CAP. Care should be taken to ensure #KPV-FEK is secured flat to the wall.

NOTE: Sealant used must have a minimum of 300°F continuous exposure rating.

If installing finishing material less than 1" (25mm) thick, skip to Step 10 on the next page.

1. Place assembled box over the framed opening in the wall with outside flanges oriented vertically and held tight to the building exterior.
2. Drive two of the supplied wood screws through opposite ends of the two outer flanges. This will secure #KPV-FEK extension box to the building and allow for squaring of the #KPV-FEK. See Figure 3.14. Seal all corners, joints, and bend lines with silicone caulk. Ensure all gaps and holes are filled so a sealed envelope is formed.
3. The wall is now ready to be finished. Finishing materials such as stone, marble, or brick can then be applied up to the flanges of the #KPV-FEK that protrude perpendicular to the wall. This will ensure that the cap will fit into the opening after finishing has been completed.

NOTE: Outside flanges of the #KPV-FEK must not have any pressure on them from the finishing materials. This could cause the opening left after finishing to be too small.

4. After the #KPV-FEK has been installed and the finishing of the wall is completed, apply a bead of silicone to the #KPV-FEK around the entire metal flange.
5. Apply a bead of silicone along the backside of the entire metal flange of #KPV. Align with #KPV-FEK as shown in Figure 3.15. Ensure cap is level and square, then secure #KPV to #KPV-FEK with (8) screws.
6. Reinstall the #KPV back assembly that was removed in Step 1 of Section 3.5. See Figure 3.16
7. After the #KPV has been secured to the #KPV-FEK, silicone should be applied around the outer edge of #KPV-FEK where it meets the building exterior. Silicone should also be applied where #KPV and #KPV-FEK meet, as shown in Figure 3.17 on the following page.
8. Place decorative cover onto cap and fasten. Once cover has been secured, installation is complete.
9. Place a bead of silicone on the back side of the mounting flange for the cap. See Figure 3.18 on the next page. **Instructions continue on the next page.**

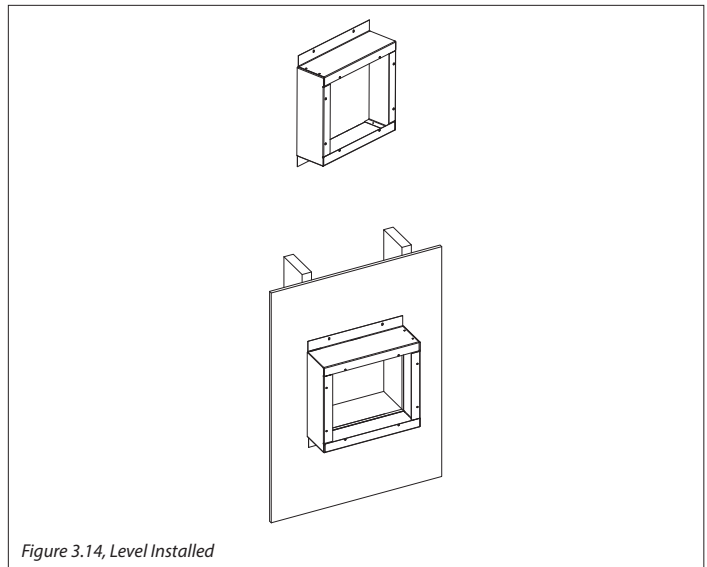


Figure 3.14, Level Installed

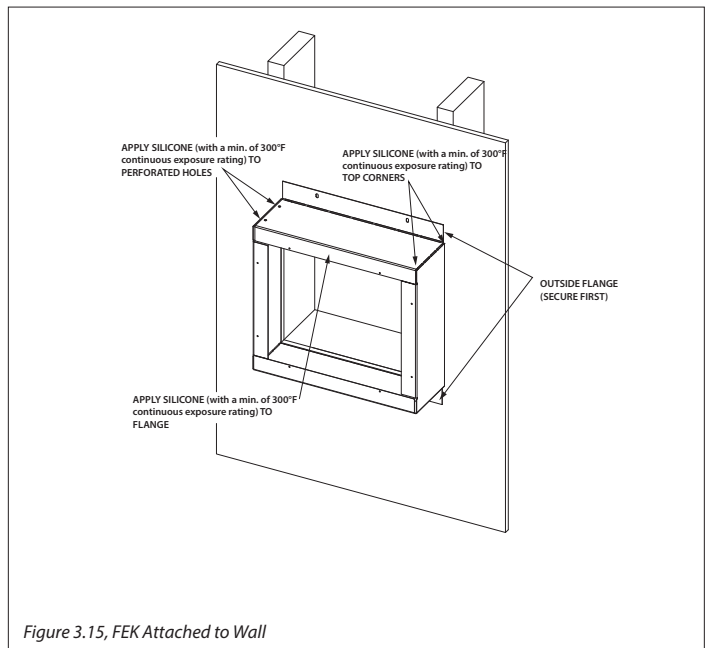


Figure 3.15, FEK Attached to Wall

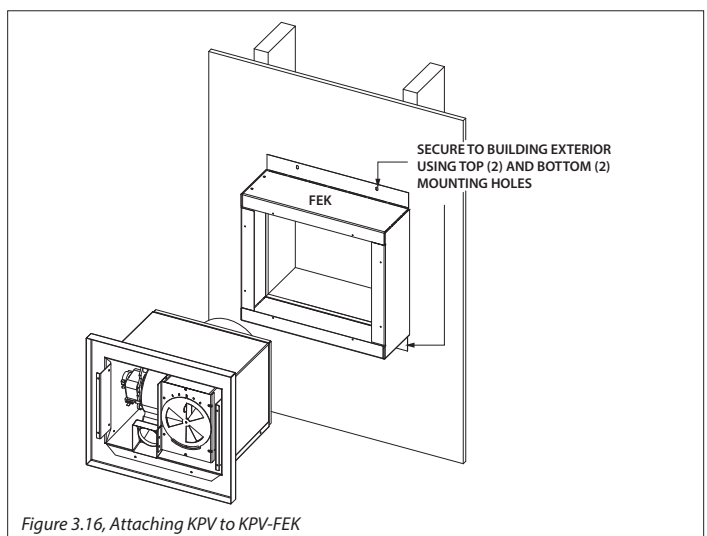


Figure 3.16, Attaching KPV to KPV-FEK

10. Install cap into the wall and attach the cap to the wall using the eight screws provided. See Figure 3.19.

NOTE: Be careful not to tear the gasket on the mounting flange on the #KPV back assembly during re-assembly in Step 12.

11. Reinstall the #KPV back assembly that was removed in Step 1 of Section 3.5.

12. Once the cap is fastened to the wall, apply a bead of silicone (with a minimum of 300°F continuous exposure rating) around the cap base. See Figure 3.20.

13. Reinstall cap cover using four screws removed earlier.

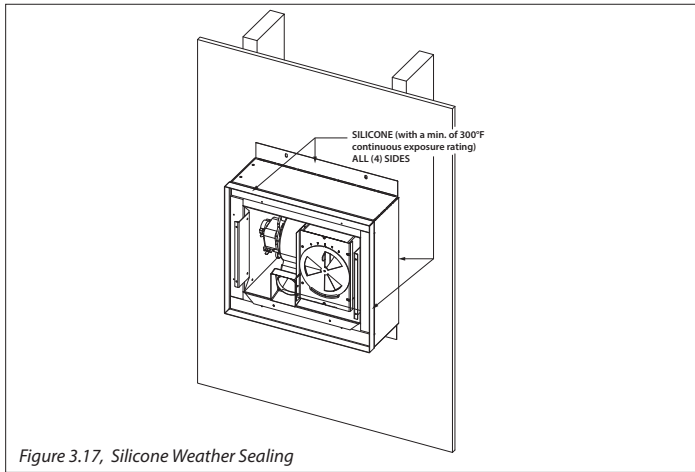


Figure 3.17, Silicone Weather Sealing

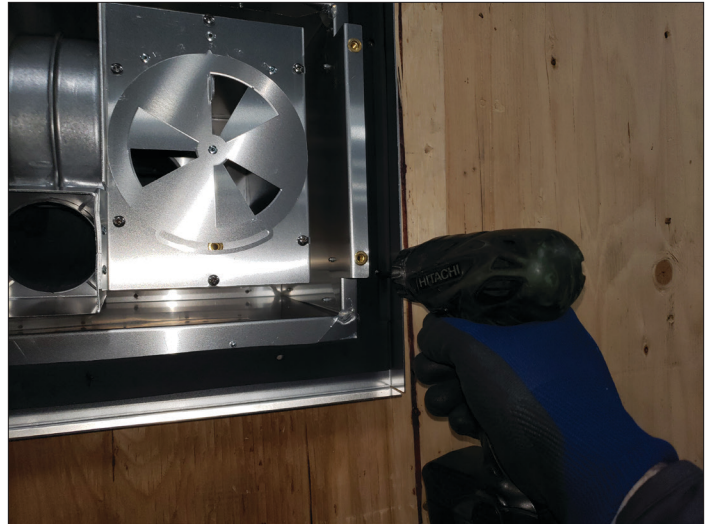


Figure 3.19, Install Cap into Wall



Figure 3.18, Silicone Backside



Figure 3.20, Silicone around the Cap Base

4.0 ELECTRICAL INFORMATION

4.1 Wiring to the Appliance

NOTE: Electrical wiring must be done in accordance with national, provincial, and/or local electrical codes.

WARNING: Disconnect electrical power from fireplace/power vent before performing any maintenance, repair, or electrical wiring.

NOTE: Electrical service of 120 VAC-60Hz must be supplied to the junction box of the fireplace in order for the power vent to operate correctly. The current draw of this device is 0.85 amperes.

Ensure that the proper clearances are maintained for wiring and conduit. When installing the wiring, it must never run above the vent run and it must be a minimum 1" from all venting.

The battery back up will not run with power venting installed.

4.1.1 Prepare Control Board

1. Remove the control board from housing (2) screws, and disconnect all wires.
2. Use a flat blade screwdriver to pry the tabs of the top cover of the control module to release.
3. Locate the JP1 jumper. It is a small plastic jumper that connects two pins as shown in Figure 4.2.
4. Pull the plastic jumper straight up to expose the two individual pins underneath it. This changes the control module function from a natural draft system to a power vent system. See Figure 4.3.
5. Reinstall control module top cover. Plug in all components previously unplugged.

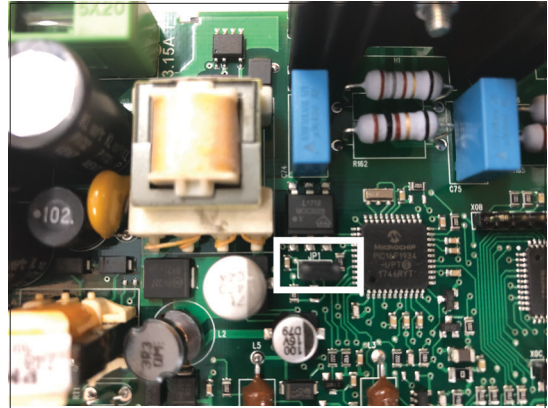


Figure 4.2, JP1 Jumper

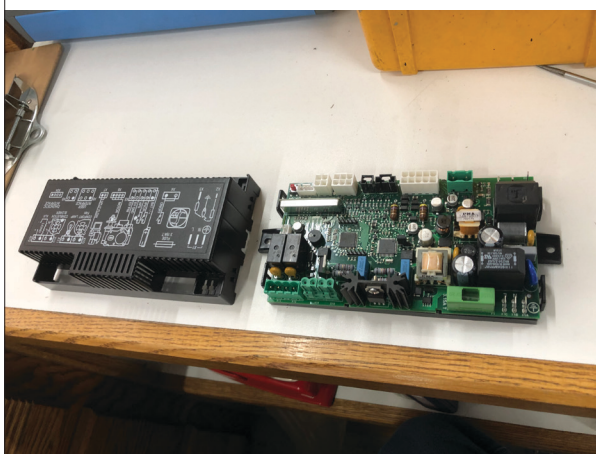
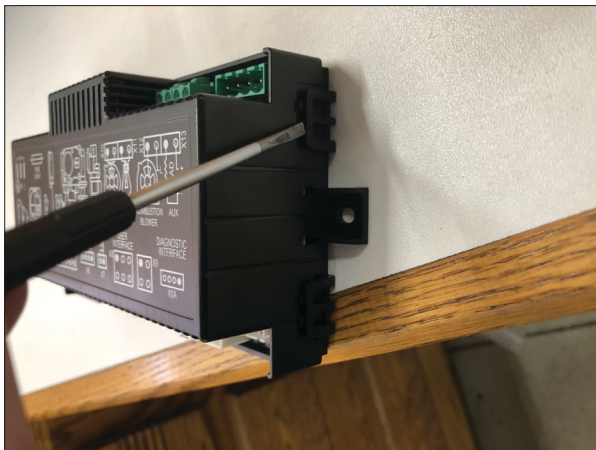


Figure 4.1, Remove Control Board Cover

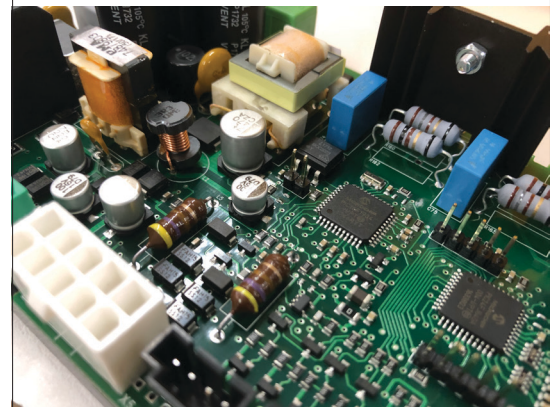
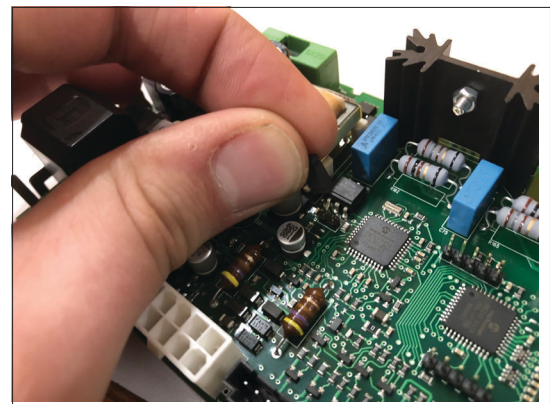


Figure 4.3, Plastic Jumper Removed

4.1.2 Wiring the KPV to the Appliance

NOTE: Use Figure 4.9 (pg. 20) as wiring schematic references when following the individual instructions below.

1. Locate the power vent wire harness hole(s) on the fireplace. Your model may have one hole on one side of the fireplace, or one hole on either side of the fireplace. Plan accordingly when ordering your KPV wire harness. The power vent wire harness holes are located on a removable plate. Remove screws that attach the plate to the outer shell for easier access. Reattach the plate when finished. See Figure 4.4.
2. Run the loose wiring through the larger section of the opening until you reach the start of the flexible conduit. Unscrew the nut from the conduit end and slide the conduit end into the smaller section of this opening. Screw the locking nut back on the threads of the conduit securing it to the fireplace. See Figure 4.5.
3. Locate the Power Vent IFC wire harness in the components packet. Plug the connector into X12 and X13 plug receptor. See Figure 4.6.

Instructions continue on the next page.

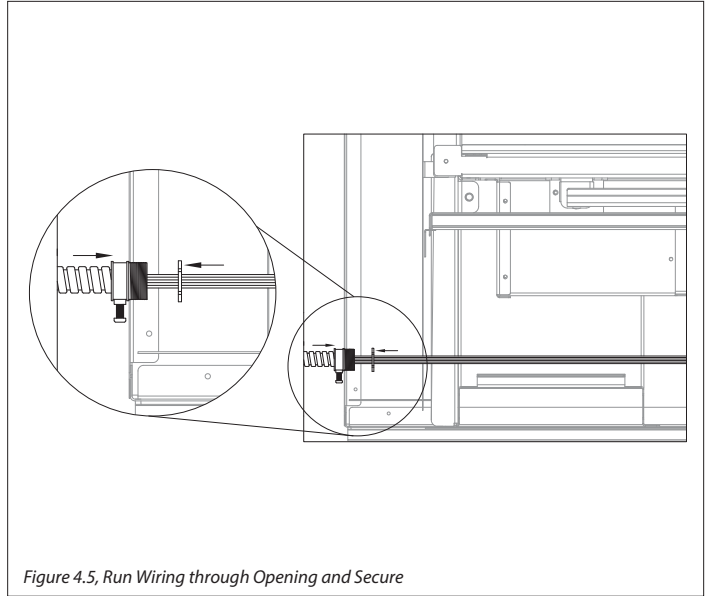


Figure 4.5, Run Wiring through Opening and Secure

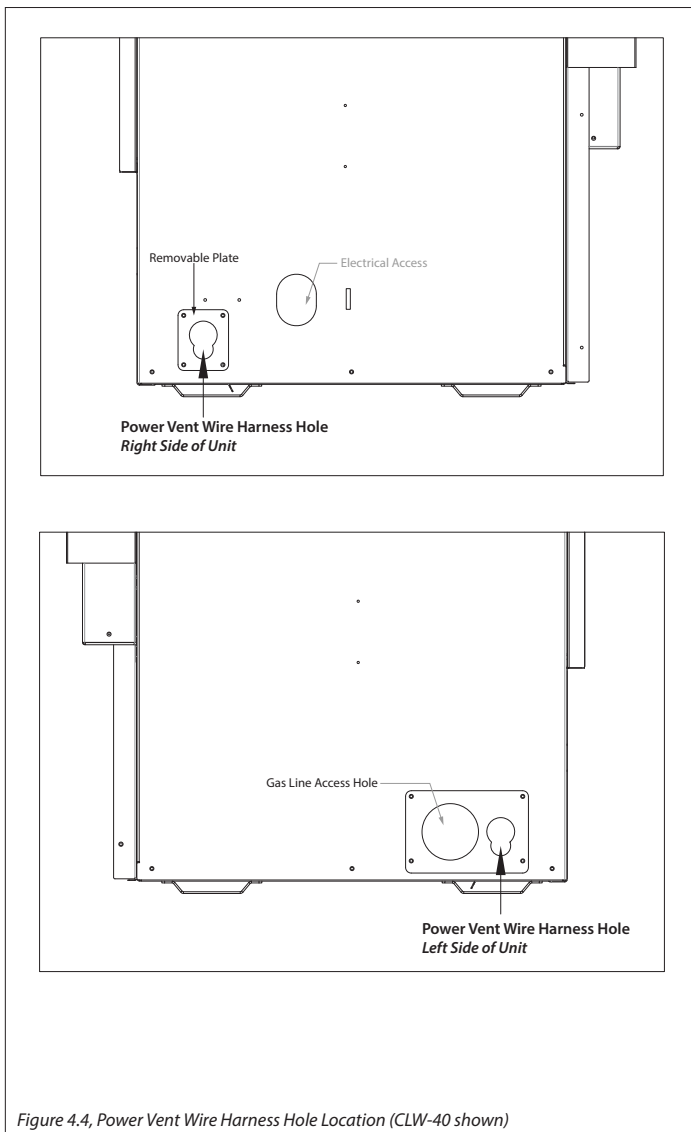


Figure 4.4, Power Vent Wire Harness Hole Location (CLW-40 shown)

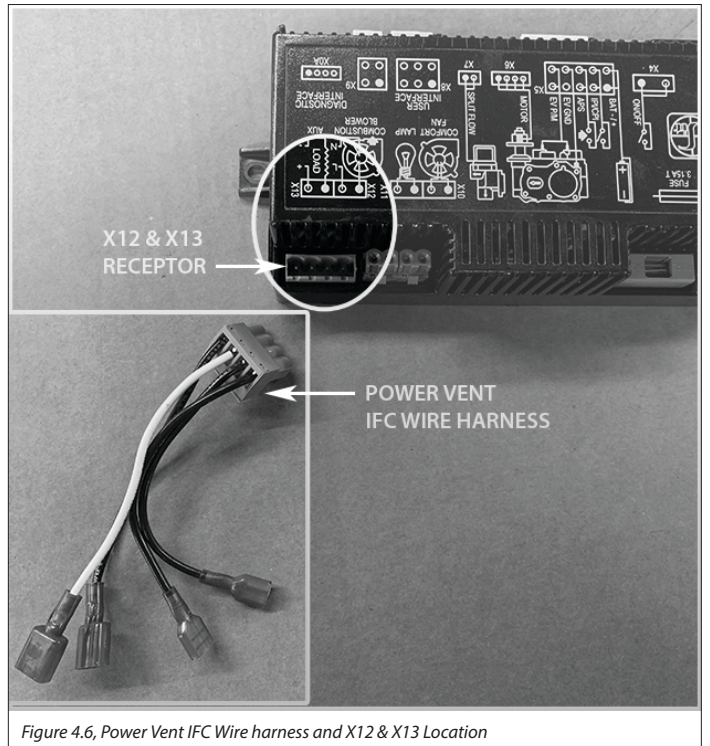


Figure 4.6, Power Vent IFC Wire harness and X12 & X13 Location

4. The power vent wire harness has the black hot wire split with two female quick connections on either end. Plugs these into the black leads that have quick connections coming off the control module in the X12 combustion blower location. See Figure 4.7.
5. Locate the blue looped wire on the control module wire harness that connects to the IPI/CPI location on the control module. Cut this looped wire so you have two individual blue wires.
6. Locate the yellow looped "APS" wire on the control module wire harness. Cut this looped wire for two individual yellow wires. Strip back approximately 1/2" of the end of each wire. Using the (2) provided blue wire nuts, twist one of the yellow APS wires into the brown wire coming from the vacuum switch in the power vent assembly. Use the second blue wire nut to twist the second yellow APS wire to the red wire coming from the vacuum switch as shown in Figure 4.8.
7. Run the other end of the power vent wiring to the power vent termination assembly. For attaching the wire harness to the fan and vacuum switch, refer to Section 3.5 on page 12.
8. Connect the three prong plug into the electrical box in the fireplace.

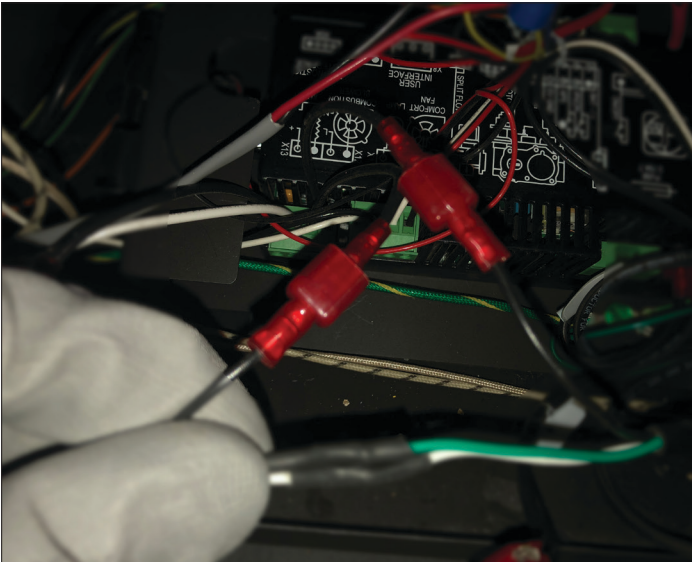


Figure 4.7, Quick Connections to Black Leads

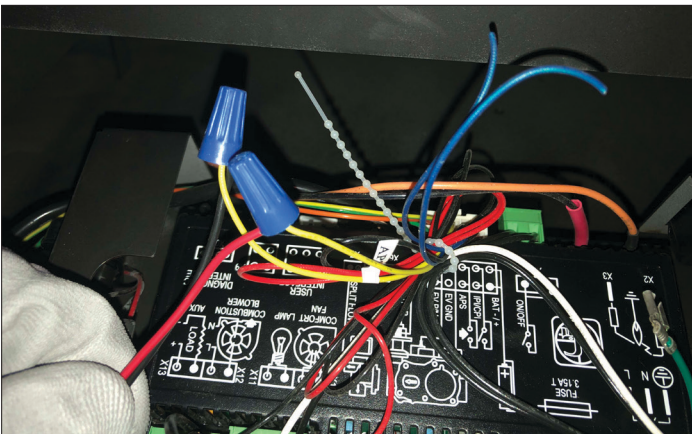


Figure 4.8, APS Wire Nuts

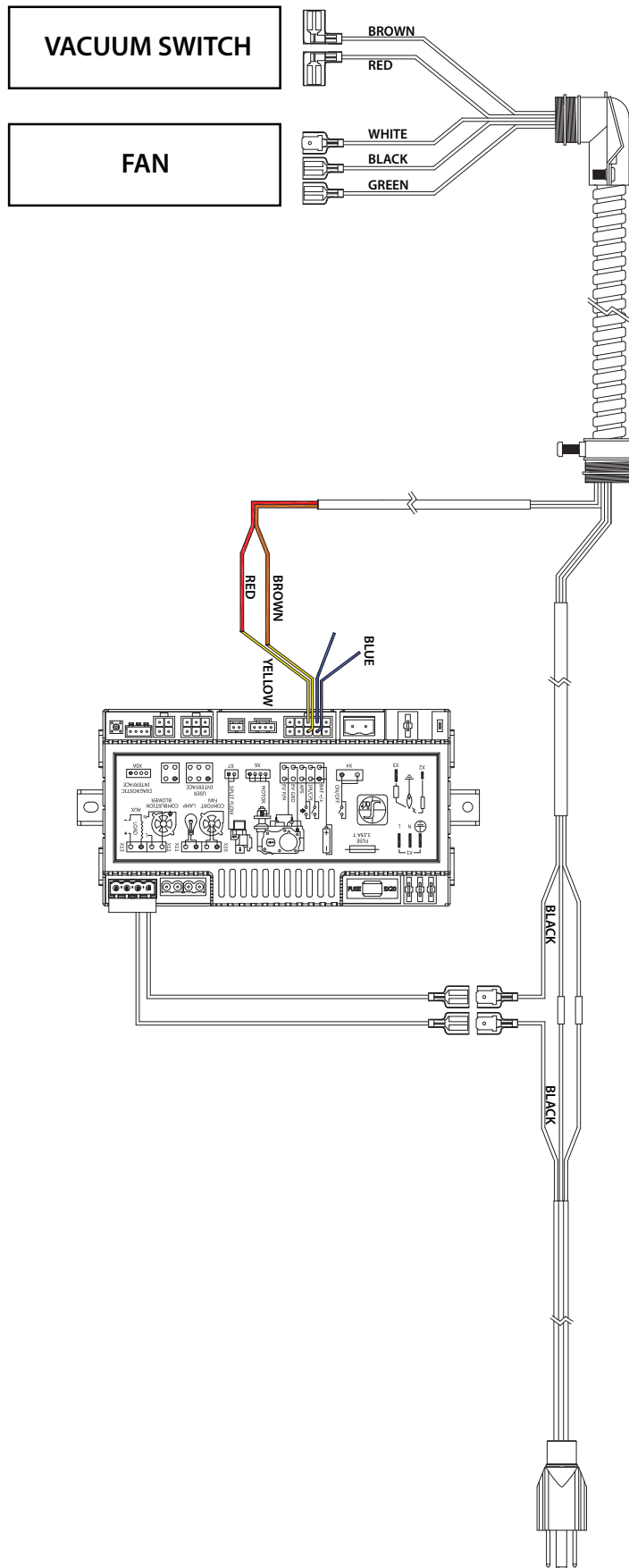


Figure 4.9, Fireplace Internal Wiring

5.0 MAINTENANCE

WARNING: Before performing any maintenance or repair to the power vent assembly, make sure electrical power is disconnected to the fireplace.

Vent System: Inspect all components and connections annually. Replace, seal, or tighten pipe connections if necessary.

Motor: the fan motor bearings are sealed and no further lubrication is necessary. To access the motor, vacuum switch, or pressure sense tube, refer to Section 5.1.

5.1 Replace Fan Assembly/Vacuum Switch

WARNING: Before performing any maintenance or repair to the power vent assembly, make sure electrical power is disconnected to the fireplace.

1. Remove (4) screws securing the front cover assembly and set aside. See Figure 5.1.
2. Remove (6) screws securing the exhaust housing cover and set aside. See Figure 5.2 and Figure 5.3.
3. Remove the hot, neutral, and ground wire from the front of the fan assembly. See Figure 5.4.
4. Remove the vacuum tube from fan assembly. See Figure 5.5 on the following page.
5. Remove the three screws securing the fan assembly. See Figure 5.6 on the next page.
6. Remove fan assembly from housing. See Figure 5.7 on the next page
7. Remove the two screws holding the vacuum switch bracket to the exhaust housing. See Figure 5.8 on the following page.
8. Remove the vacuum switch. See Figure 5.9 on the following page.
9. After replacing the components, reinstall all the previously removed components in reverse order.



Figure 5.1, Front Cover Assembly Removal

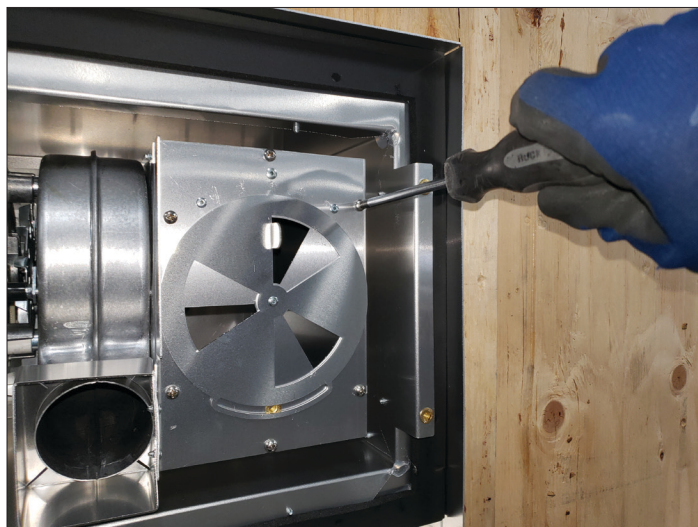


Figure 5.2, Exhaust Assembly Screws

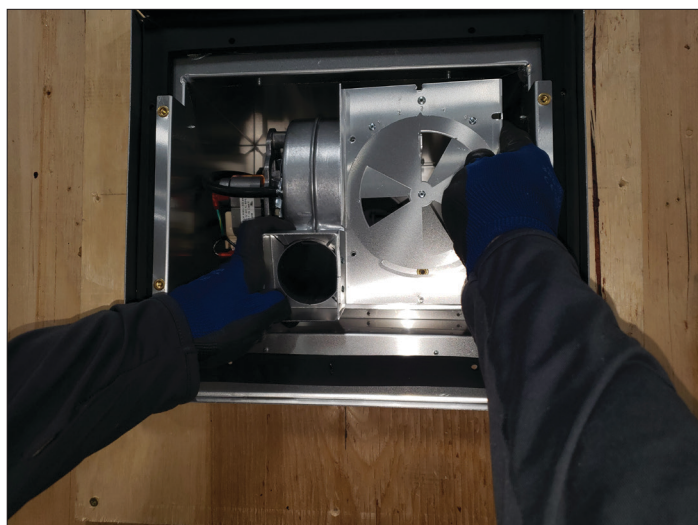


Figure 5.3, Exhaust Assembly Removal

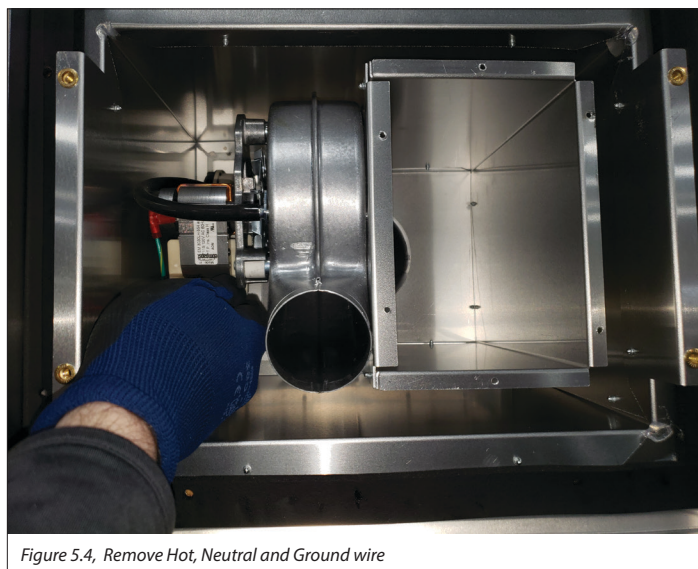


Figure 5.4, Remove Hot, Neutral and Ground wire

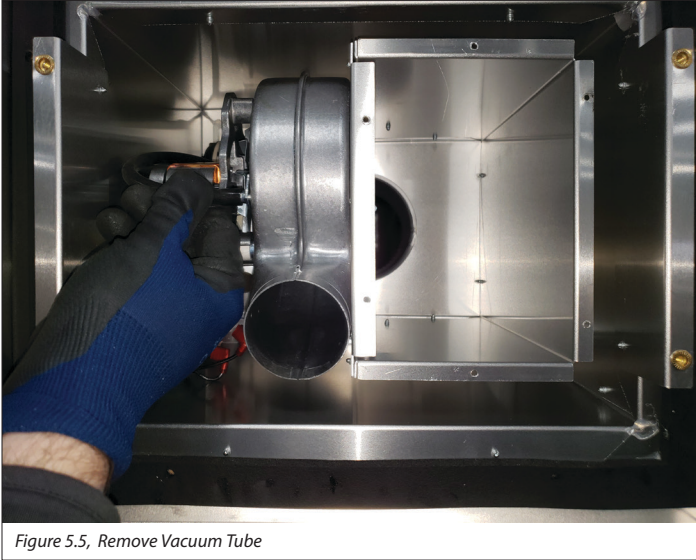


Figure 5.5, Remove Vacuum Tube

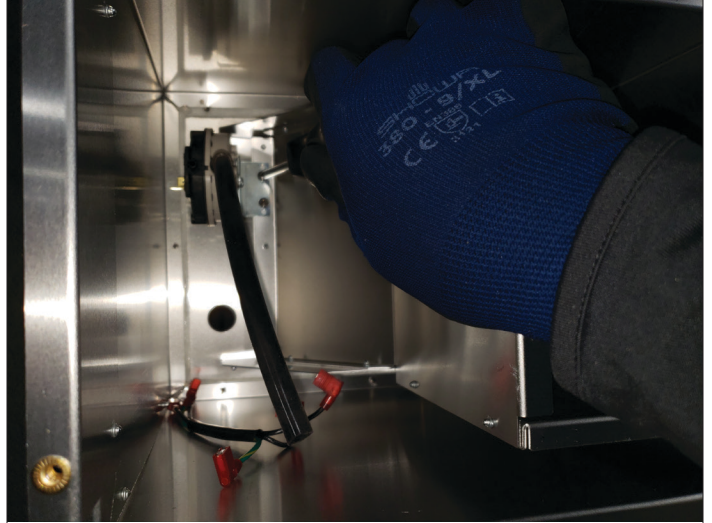


Figure 5.8, Screws Securing Vacuum Switch Bracket



Figure 5.6, Remove (3) Screws Securing Fan Assembly



Figure 5.9, Vacuum Switch Removal

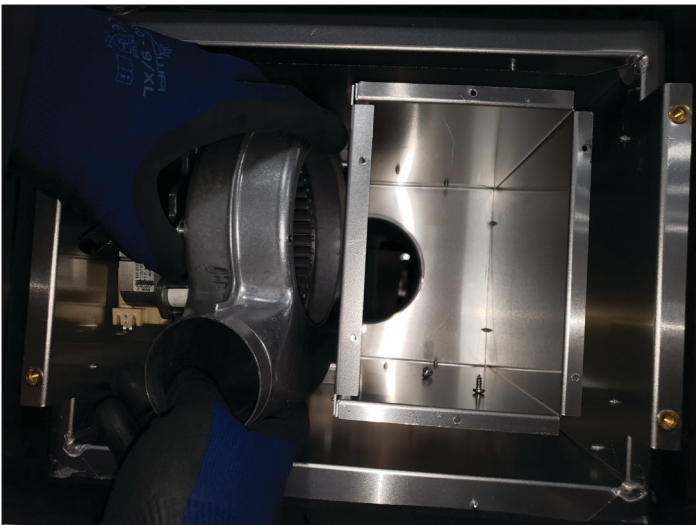


Figure 5.7, Fan Assembly Removal

6.0 TROUBLESHOOTING

Issue	Cause	Solution
Pilot will not light	Electrical power interrupted or disconnected	Restore electrical power to appliance
	Wiring disconnection	Use wiring schematics in this manual to determine that all wiring connections are secure and correct.
	Gas supply turned off	Check remote shut-off valves from the appliance. Usually there is a valve near the main gas line. There may be more than (1) valve between the appliance and main gas line.
Pilot will not stay lit	No propane in tank	Check propane tank. Refill if necessary.
	Low gas pressure	Consult a plumber or a gas supplier. Can be caused by situations such as a bent line, too narrow diameter of pipe, or a low line pressure.
	Pilot flame not making contact with the flame rectification sensor on the pilot assembly	Verify the pilot flame envelopes the top of the flame sensor and extends far enough onto burner for ignition. To adjust pilot flame, turn pilot adjustment screw on the gas valve clockwise to decrease flame, and counterclockwise to increase flame.
	Pilot adjustment screw not sealed	Seal pilot adjustment screw. Do not over-tighten.
Main burner flame will not light	ON/OFF rocker switch in OFF position	Switch rocker switch to ON position.
	Gas supply turned off	Check for multiple shut-offs in the supply line. Verify gas supply is turned on.
	Low gas supply	Consult with plumber or gas supplier. Check propane tank. Refill if necessary.
	Wiring disconnection or improper wiring	Check for faulty or incorrect wiring.
	Plugged main burner orifice	Remove blockage.
	Pilot flame	Verify the pilot flame is properly directed to ignite burner. See pilot flame troubleshooting above.
	Remote control not working properly	Replace batteries.
	No call for heat	Verify remote control is powered ON and thermostat operation is turned OFF.
	Vacuum is not registering	Check vacuum tube for a solid connection between the vacuum switch and the vacuum port of the fan assembly Check for faulty or incorrect wiring between the vacuum switch and control module Replace vacuum switch

Issue	Cause	Solution
Pilot and burner extinguish while in operation	No propane in tank	Check propane tank. Refill if necessary.
	Incorrect glass assembly installation	Adjust if necessary. See appliance installation manual.
	Incorrect vent cap installation	Adjust if necessary.
	Vent cap blockage	Remove debris if necessary.
	Exhaust vent pipe leaking exhaust gases back into firebox	Check for leaks and repair if necessary.
	Excessive draft	Adjust the draft bypass system. Refer to Section 2.4 Draft Bypass Adjustment on page 8.
Soot appears on glass	Improper media placement	See appliance installation manual.
	Improper venturi setting	Venturi air shutter may need to be opened slightly to allow more air into the gas mix.
	Incorrect vent cap installation	Adjust if necessary.
	Vent cap blockage	Remove debris if necessary.
Flame burns blue and lifts off burner	Improper venturi setting	Venturi air shutter may need to be opened slightly to allow more air into the gas mix. See appliance installation manual.
	Incorrect vent cap installation	Adjust if necessary.
	Blockage or leakage of the vent system	Check the vent pipes for leaks, and the vent cap for debris. Repair the vent pipes or remove debris from vent cap, if necessary.
	Excessive draft	Adjust the draft bypass system. Refer to Section 2.4 Draft Bypass Adjustment on page 8.
No reaction to command	No communication between remote control and IFC module	Reprogram remote control to IFC module. See appliance installation manual.
	A maximum number of failed ignitions or flame restorations has been reached	Reset IFC module. See appliance installation manual.

KOZY POWER VENT n° KPV

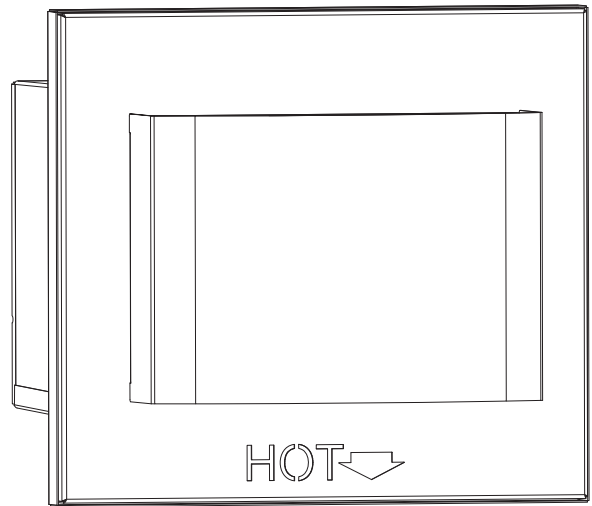
KOZY HEAT
FIREPLACES
HUSSONG MANUFACTURING CO., INC.

Pour utiliser avec le foyer au gaz à évacuation directe n° ALP-36S, BHM-44, BHM-52, CLW-40, CLW-50, CLW-72, SFD-36

**INSTALLATEUR : Laissez ce manuel avec l'appareil.
PROPRIÉTAIRE : Conservez ce manuel pour le consulter.**

LISEZ TOUTES CES ÉTAPES AVANT DE COMMENCER L'INSTALLATION. LAISSEZ CE MANUEL AVEC L'APPAREIL.

Ce kit doit être installé par un centre de service ou un installateur qualifié, ou par le fournisseur de gaz, au moment d'installer l'appareil de chauffage. Ces instructions doivent être utilisées conjointement avec le manuel d'installation et d'utilisation fourni avec l'appareil. Veuillez lire complètement le manuel d'installation de l'appareil avant de commencer les procédures de ce manuel d'instructions.



1.0 INTRODUCTION	3
1.1 Introduction.....	3
1.2 Composants et liste de pièces de rechange.....	3
1.3 Installation.....	3
2.0 CONDUIT D'ÉVACUATION	4
2.1 Exigences d'évacuation.....	4
2.2 Exigences spécifiques à l'appareil.....	5
2.3 Terminaisons horizontales.....	6
2.4 Réglage de dérivation de tirage.....	8
3.0 ENCADREMENT ET DÉGAGEMENTS	9
3.1 Encadrement et dégagements.....	9
3.2 Dégagements aux matériaux combustible.....	10
3.3 Terminaison au toit.....	10
3.4 Dégagements du chapeau d'évacuation.....	11
3.5 Installation du chapeau d'évacuation.....	12
4.0 INSTALLATION ÉLECTRIQUE	17
4.1 Câblage de l'appareil.....	17
5.0 ENTRETIEN	21
5.1 Remplacement du ventilateur et du interrupteur d'aspiration.....	21
6.0 DÉPANNAGE	23

English and French installation manuals are available through your local dealer. Visit our website www.kozyheat.com.
Les manuels d'installation en français et en anglais sont disponibles chez votre détaillant local. Visitez www.kozyheat.com.



NATIONAL FIREPLACE INSTITUTE
NFI
CERTIFIED
www.nficertified.org

We suggest that our gas hearth products be installed and serviced by professionals who are certified in the U.S. by the National Fireplace Institute® (NFI) as NFI Gas Specialists.

IMPORTANT: Si vous ne lisez pas et ne suivez pas ces instructions, cela pourrait créer un danger et annulera la garantie du foyer.

1.0 INTRODUCTION

1.1 Introduction

Le KPV est certifié pour l'utilisation comme chapeau d'évacuation horizontal seulement avec le foyer à évacuation directe ALP-36S, BHM-44, BHM-52 CLW-40, CLW-50, CLW-72 et SFD-36.

Configurations du système de contrôle :

- Le bloc-piles de secours ne peut pas être utilisé avec le KPV.
- L'interrupteur mural câblé ne peut pas être utilisé avec le KPV.
- Lorsque le KPV est installé avec un appareil, ce dernier ne peut pas fonctionner avec le bloc-piles de secours ou un interrupteur mural câblé.
- Le KPV fonctionne sur l'alimentation électrique de 120V c.a. (60 Hz), fournie à la boîte de jonction du foyer.

La boîte de jonction dans cet appareil exige une alimentation électrique de 120 V c.a., 60 Hz et 0,85 ampère.

Autres systèmes de cheminée approuvés avec le KPV: American Metal Products (Ameri-Vent), BDM, ICC, Metal Fab, Olympia Chimney Supply, Inc., Security, Selkirk et Simpson DuraVent.

NOTE D'UTILISATION IMPORTANTE: Lorsque le contrôle utilisé pour faire fonctionner le foyer est activé, il y a aura un délai de 120 secondes avant le début d'allumage de la veilleuse. Ceci afin de permettre une purge de pré-allumage par le KPV. Si après 135 secondes, la veilleuse et le brûleur ne s'allument pas, voir la Section 6.0 (page 21) de ce manuel. Il y aura aussi une purge post-opératoire de 120 secondes durant laquelle le KPV continuera de fonctionner après que l'appareil sera éteint.

NOTE: Les moteurs de ventilateur du kit Power Vent feront un bruit, une fois en marche. Les effets du niveau sonore accru peuvent être minimisés en planifiant avec soin l'installation de ce système.

1.2 Composants et liste de pièces de rechange

1.2.1 Liste de pièces de rechange

Les pièces de rechange sont disponibles chez votre détaillant local. La réparation du KPV doit être faite seulement un technicien d'entretien qualifié.

- KPV-101 Ensemble de ventilateurs
- KPV-102 Interrupteur d'aspiration
- KPV-103 Tube d'aspiration
- KPV-104 Couvercle
- 700-358 Faisceau de câble IFC Power Vent

1.2.2 Faisceau de câble Power Vent (requis)

Le faisceau de câble raccordant le KPV à l'appareil est venu séparément. La longueur requise du faisceau de câble variera selon l'installation.

- 10 pieds de faisceau de câble Power Vent
- 20 pieds de faisceau de câble Power Vent
- 40 pieds de faisceau de câble Power Vent
- 60 pieds de faisceau de câble Power Vent
- 80 pieds de faisceau de câble Power Vent
- 100 pieds de faisceau de câble Power Vent

1.2.3 Composants optionnels

- Kit d'extension de finition du Power Vent : KPV-FEK

1.3 Installation

1.3.1 Précautions d'installation

- Ce dispositif doit être installé par un installateur qualifié, conformément à ces instructions.
- Une inspection de sécurité du système d'évacuation (cheminée) doit être effectué avant et après l'installation de ce kit Power Vent. L'installation du Kit Kozy Power Vent doit être conforme aux codes et règlements locaux, régionaux, nationaux et provinciaux (ou de l'État).
- N'INSTALLEZ AUCUN ÉQUIPEMENT OU COMPOSANT D'ÉVACUATION ENDOMMAGÉ
- Couper l'alimentation électrique avant de faire les connexions de câblage.
- Il est interdit de raccorder plus d'un appareil à un système d'évacuation commun.
- Les dégagements entre le conduit d'évacuation et les matériaux combustibles doivent être maintenus.
- AVERTISSEMENT: Une installation, une utilisation ou un entretien du système Power Vent non conforme aux instructions du fabricant causera des conditions pouvant entraîner des blessures et/ou dommages matériel.

1.3.2 Directives d'installation

- La terminaison de sortie des systèmes mécaniques de tirage ne doit pas être inférieure à 7 pieds (2,13 m) au-dessus du sol, si elle est adjacente aux trottoirs ou passages pour piétons.
- Le système mécanique de tirage d'évacuation doit se terminer au moins 3 pieds (91 cm) au-dessus de toute entrée d'air forcé située à moins de 10 pieds (3,05 m).

1.3.3 Exigences de peinture

Le KPV peut être peinturé à la couleur désirée, pourvu que la peinture choisie ait une résistance suffisante aux températures et aux conditions ambiantes (intempéries et précipitations).

- Avec du papier sablé ou de la laine d'acier, sablez parfaitement le revêtement existant, avant d'appliquer la peinture.
- Le devant du chapeau d'évacuation peut être peinturé sur place en faisant sécher la peinture à 400 degrés Fahrenheit (204°C). Toutes les autres pièces du chapeau d'évacuation peuvent être peinturées, mais on ne doit pas les faire sécher à plus de 190°F (88°C) pour ne pas surchauffer les joints d'étanchéité et autres composants.
- Certaines surfaces du chapeau peuvent atteindre jusqu'à 600°F (316°C). Les peintures choisies doivent avoir une résistance thermique suffisante.
- Le chapeau contient un scellant à base de silicone, qui peut affecter l'adhérence de la peinture. Veuillez informer le peintre local de ce contenu en silicone.

2.0 CONDUIT D'ÉVACUATION

2.1 Exigences d'évacuation

Pour les procédures standard du système d'évacuation de l'appareil, voir la section «Système d'évacuation» du manuel d'installation de l'appareil.

- Le KPV est conçu pour utiliser du conduit d'évacuation directe rigide coaxial 4 po x 6-5/8 po. Un réducteur d'évacuation de 5 x 8po à 4 x 6-5/8po doit être utilisé pour les systèmes de cheminée DuraVent et Selkirk. Voir le manuel d'installation du foyer pour les systèmes de cheminée approuvés. Un dégagement minimal de 1 po (25 mm) doit être maintenu de tous les côtés du conduit d'évacuation vertical. Les écrans thermiques de grenier peuvent être isolés en utilisant des matériaux isolants sans revêtement homologués incombustibles selon la norme ASTM E 136.
- Un dégagement minimal de 1 po (25 mm) de tous les côtés du conduit d'évacuation horizontal doit être maintenu au coupe-feu mural. Des coupe-feu muraux ayant un dégagement de 1 po (25 mm) aux matériaux combustibles doivent être installés pour tout conduit d'évacuation horizontal traversant un mur intérieur ou extérieur. Ces coupe-feu muraux peuvent être isolés avec des matériaux isolants sans revêtement homologués incombustibles selon la norme ASTM E 136.
- Pour toute réduction de 1 pied (30,5 cm) d'élévation verticale, la longueur totale permise du conduit d'évacuation doit être réduite de 2 pieds (61 cm).
- **Si une configuration d'évacuation inclut un composant vertical qui descend, il n'est pas permis d'installer un composant vertical qui remonte.**
- Avant l'installation, appliquez un joint de scellant (fourni) autour des raccords internes du conduit d'évacuation du foyer et du kit Power Vent. Voir les Figures 2.1 et 2.2..



Figure 2.1, Joint scellant (silicone) au raccord d'évacuation interne du kit Power Vent



Figure 2.2, Joint scellant (silicone) au raccord d'évacuation interne du foyer

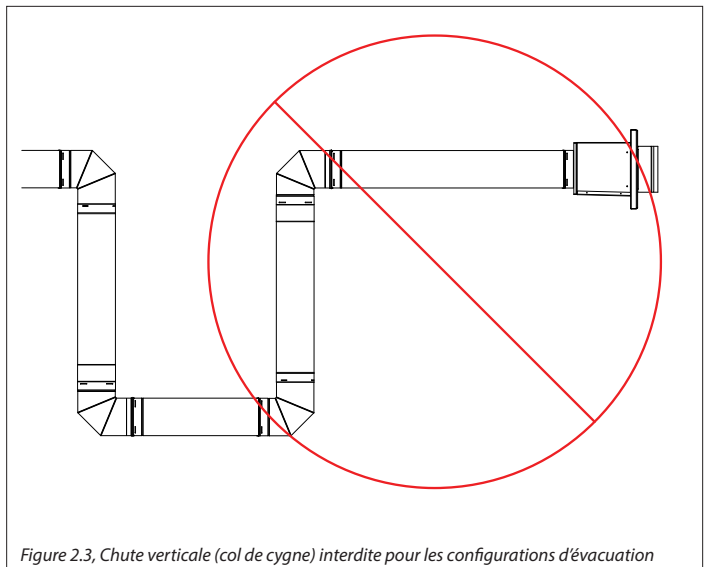


Figure 2.3, Chute verticale (col de cygne) interdite pour les configurations d'évacuation

2.2 Exigences spécifiques aux appareil

2.2.1 Alpha 36S

- Le modèle ALP-36S peut avoir un réducteur de 4" x 6-5/8" directement à partir du dessus de l'appareil.
- Le modèle ALP-36S exige qu'un écran de veilleuse soit installé. L'écran de veilleuse est inclus dans le paquet de pièces du KPV.

Pour installer l'écran de veilleuse :

1. Retirez le jeu de bûches et le brûleur. Pour plus d'information, voir le manuel d'installation.
2. Desserrez, mais sans les retirer, les (2) vis retenant l'ensemble de veilleuse au support de veilleuse.
3. Insérez les fentes de l'écran de veilleuse sur les vis du support de veilleuse, tel que montré à la Figure 2.4.
4. Resserrez les vis.
5. Réinstallez tous les composants retirés précédemment.

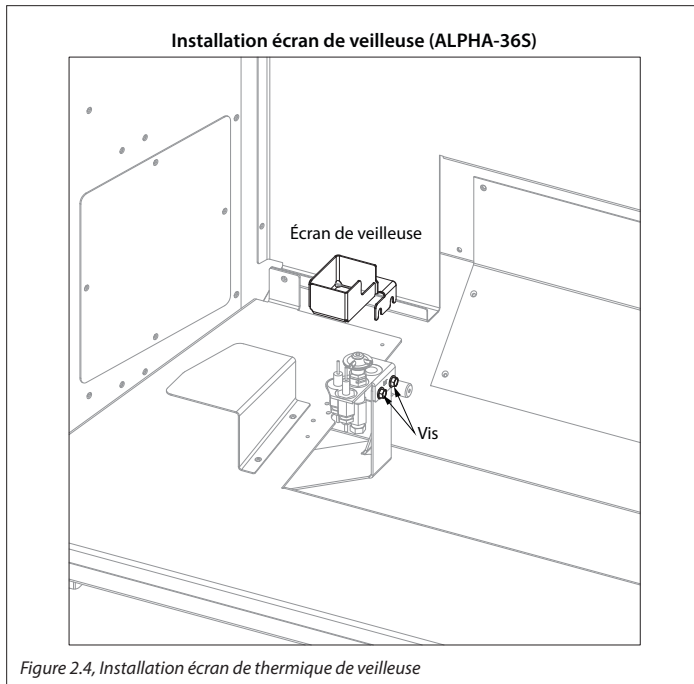


Figure 2.4, Installation écran de thermique de veilleuse

2.2.2 Bellingham 52

- Le modèle BHM-52 peut avoir un réducteur de 4" x 6-5/8" directement à partir du dessus de l'appareil.
- Si la configuration de votre conduit d'évacuation a une longueur d'élévation verticale supérieure à la longueur de course horizontale, on recommande d'ajuster le réglage de dérivation de tirage au numéro 1 pour une apparence de flammes appropriée. Un ajustement ultérieur peut être requis. Voir la Section 2.4 (Ajustement de la dérivation de tirage) à la Page 8.
- Le modèle BHM-52 nécessite d'installer des plateaux de brûleur. Les plateaux de brûleur sont inclus dans le paquet de pièces du KPV.

Pour installer les plateaux de brûleur :

1. Pliez à la main les languettes des plateaux de brûleur en dirigeant les languettes vers le bas pour tenir en place les plateaux de brûleur.
2. Positionnez les plateaux de brûleur complètement au fond et à

l'arrière du foyer, tel que montré à la Figure 2.5.

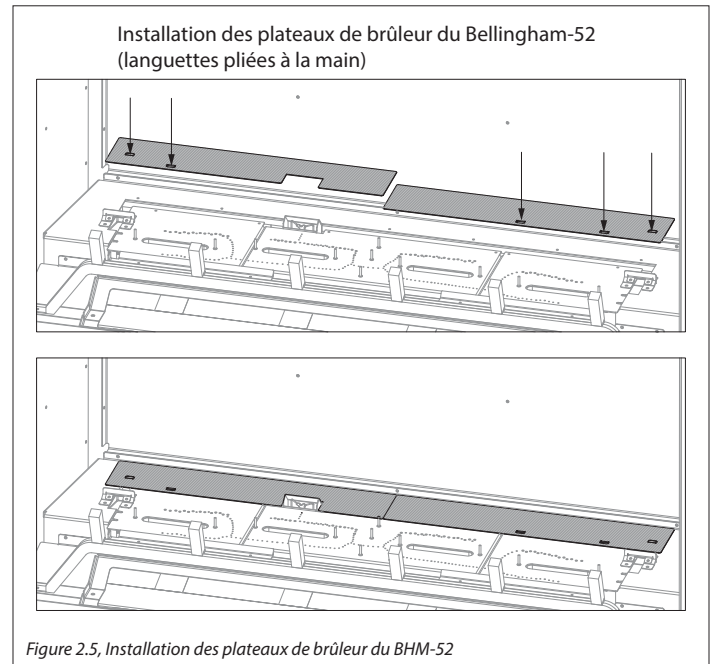


Figure 2.5, Installation des plateaux de brûleur du BHM-52

2.2.3 Bellingham 44

- Le modèle BHM-44 peut avoir un réducteur 4" x 6-5/8" directement à partir du dessus de l'appareil.

2.2.4 Série Callaway

- Les modèles CLW-40, CLW-50 et CLW-72 commencent avec un coude de 45° (5" x 8") directement à l'arrière de l'appareil.
- Utilisez un réducteur 4" x 6-5/8" (exigé) directement après le coude, pour maintenir les exigences minimales de la chambre de combustion et du conduit d'évacuation.

2.2.5 Springfield 36

- Le modèle SFD-36 peut avoir un réducteur 4" x 6-5/8" directement à partir du dessus de l'appareil.

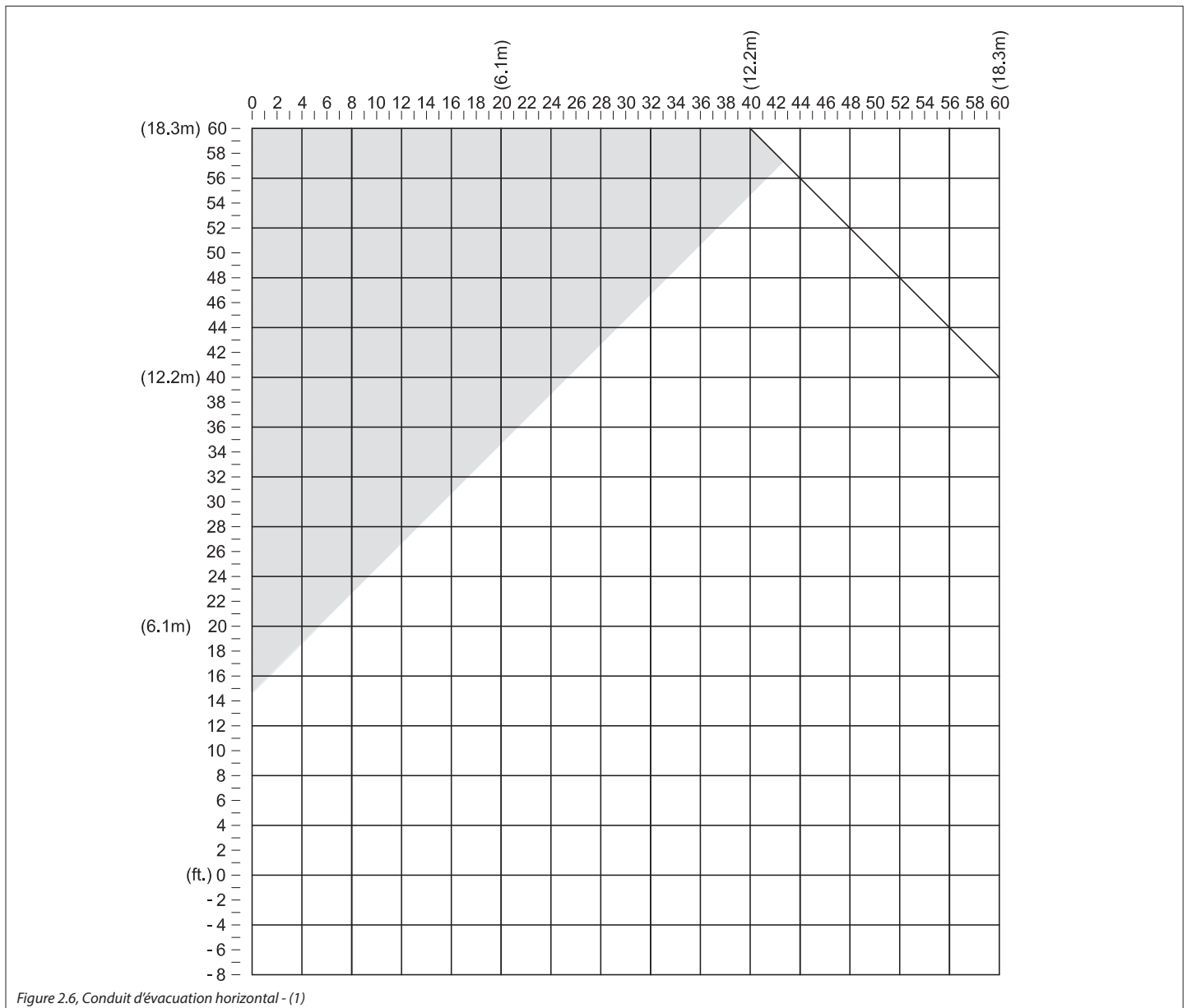
2.3 Terminaisons horizontales

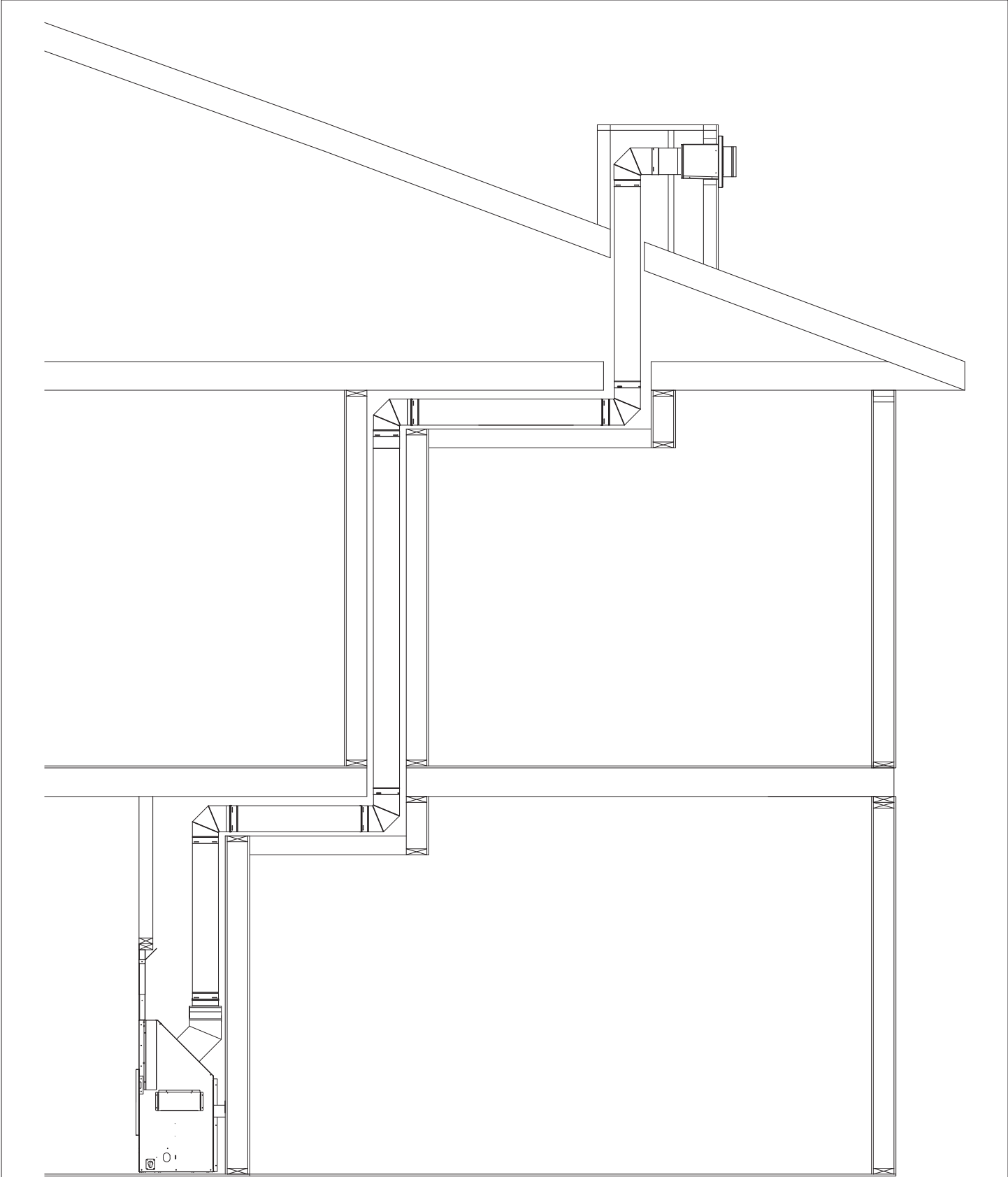
Si une configuration d'évacuation inclut un composant vertical qui descend, il n'est pas permis d'installer un composant vertical qui remonte.

Le conduit d'évacuation du système KPV doit se terminer horizontalement.

- Utilisez les directives d'évacuation du Tableau 2.1. Le Figure 2.5 servent de guide pour calculer le trajet d'évacuation total.
- Aucune élévation verticale n'est requise avec le KPV. Le conduit d'évacuation peut sortir horizontalement directement de l'appareil.

Tableau 2.1, Directives d'évacuation du KPV	
Nombre maximal de coudes	(8) 90° or (16) 45°
Course horizontale totale minimale	Modèles ALP-36S, CLW-40, CLW-50, CLW-72, SFD-36: 6 pieds (1,8m) Modèles BHM-44 et BHM-52: 10 pieds (3m)
Course horizontale totale maximale	60 pieds (18,3 m)
Élévation verticale totale maximale	60 pieds (18,3 m)
Chute verticale maximale permise	8 pieds (2,4 m) Pour toute réduction de 1 pied (30,5 cm) d'élévation verticale, la longueur totale permise doit être réduite de 2 pieds (61 cm)
Longueur totale maximale du conduit d'évacuation	100 pieds (30 m)





Montré avec l'appareil Callaway-40

Figure 2.7, Conduit d'évacuation horizontal - Guide 2

2.4 Réglage de dérivation de tirage

NOTE: Tous les systèmes Kozy Power Vent sont fournis avec la dérivation de tirage réglée à 5. Le réglage de dérivation de tirage doit être ajusté seulement lors d'un dépannage ou pour ajuster l'apparence des flammes.

Le système de dérivation de tirage est réglé à 5 par le fabricant; pour certaines configurations d'évacuation, le système de dérivation de tirage nécessitera un ajustement. Pour ajuster la dérivation de tirage, desserrez la vis de blocage. Ajustez en sens horaire ou antihoraire, selon votre installation. Voir les Figures 2.7, 2.8 et 2.9.

**Tableau 2.2, ALP-36S, BHM-44 BHM-52, CLW-40, CLW-50, SFD-36
Réglage de dérivation de tirage**

	Gaz naturel	Propane
Réglage de tirage		
#1	Permis	Permis
#2	Permis	Permis
#3	Permis	Permis
#4	Permis	Permis
#5	Permis	Permis

Tableau 2.3, CLW-72 - Réglage de dérivation de tirage

	Gaz naturel	Propane
Réglage de tirage		
#1	Non permis	Permis*
#2	Non permis	Permis*
#3	Permis	Permis
#4	Permis	Permis
#5	Permis	Permis

* Ce réglage de tirage est permis pour toutes les configurations d'évacuation, sauf pour celles qui ont une chute verticale

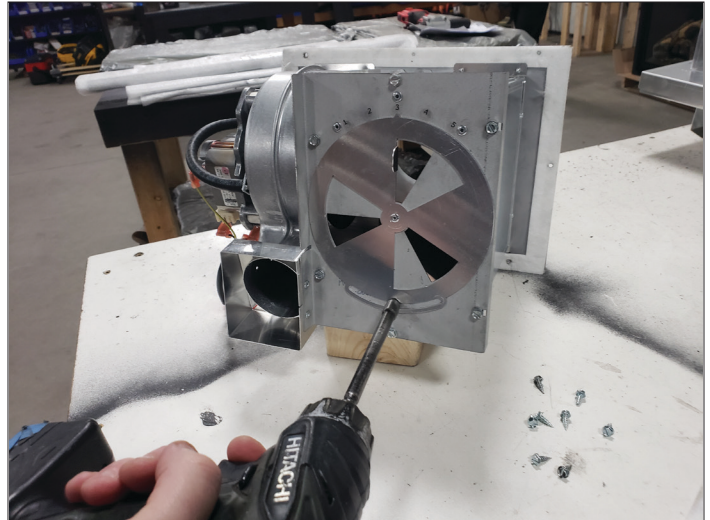


Figure 2.8, Desserrage de la vis de blocage



Figure 2.9, Ajustement de la dérivation de tirage



Figure 2.10, Ajustement montré en Position 3

3.0 ENCADREMENT ET DÉGAGEMENTS

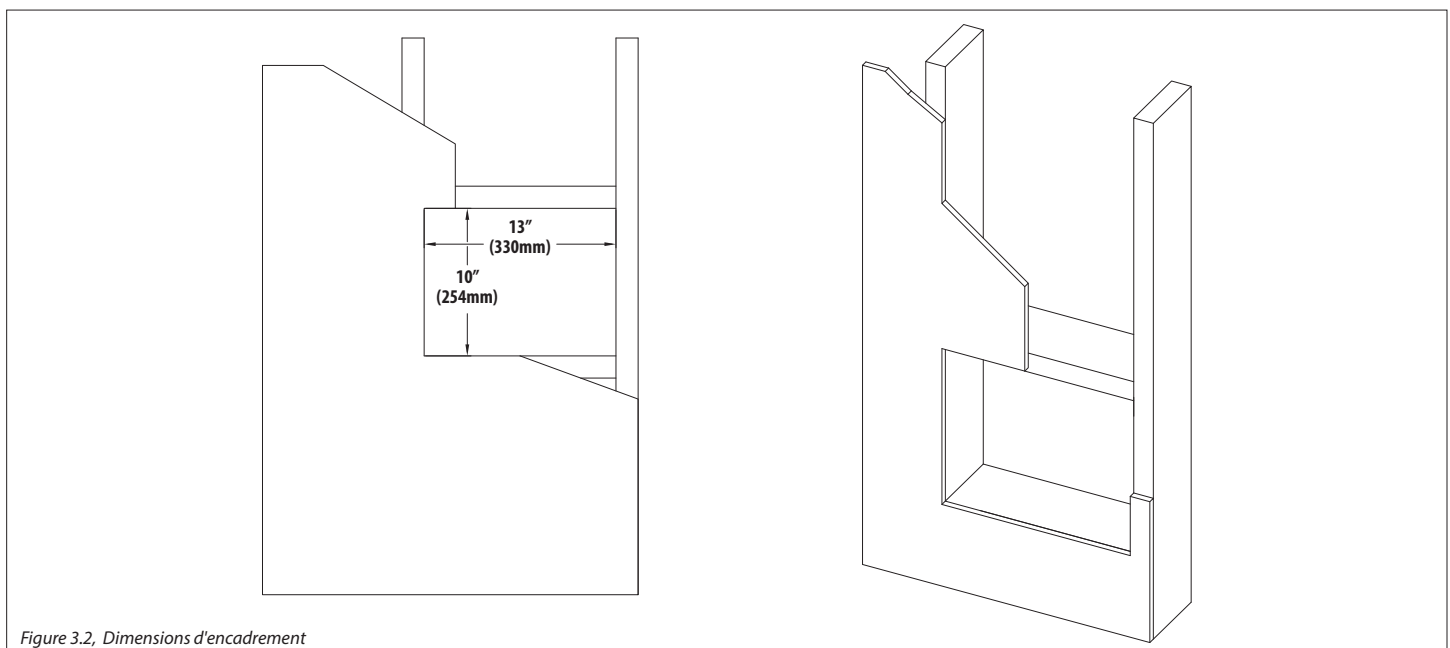
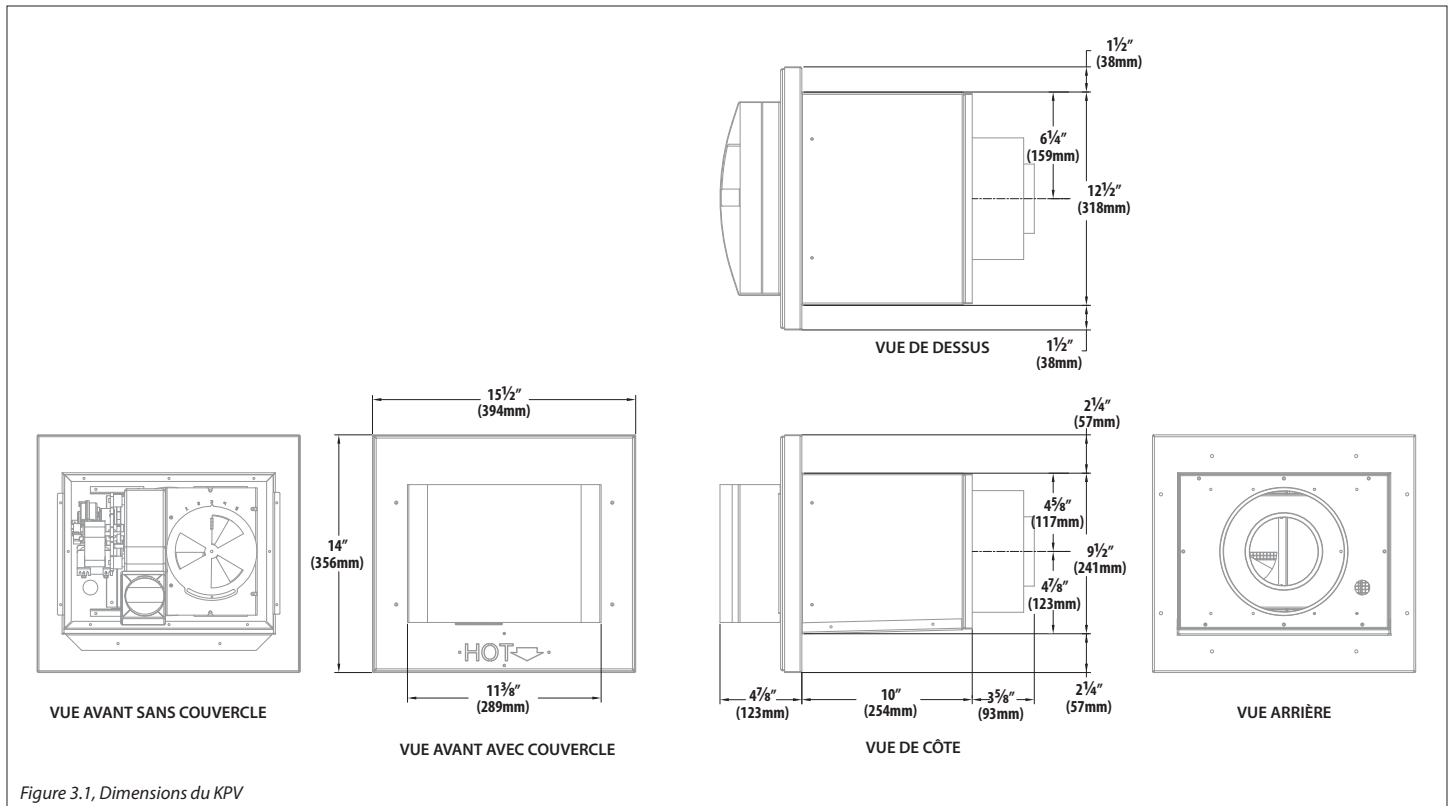
3.1 Encadrement et dégagements

Les dimensions d'encadrement sont montrées à la Figure 3.1.

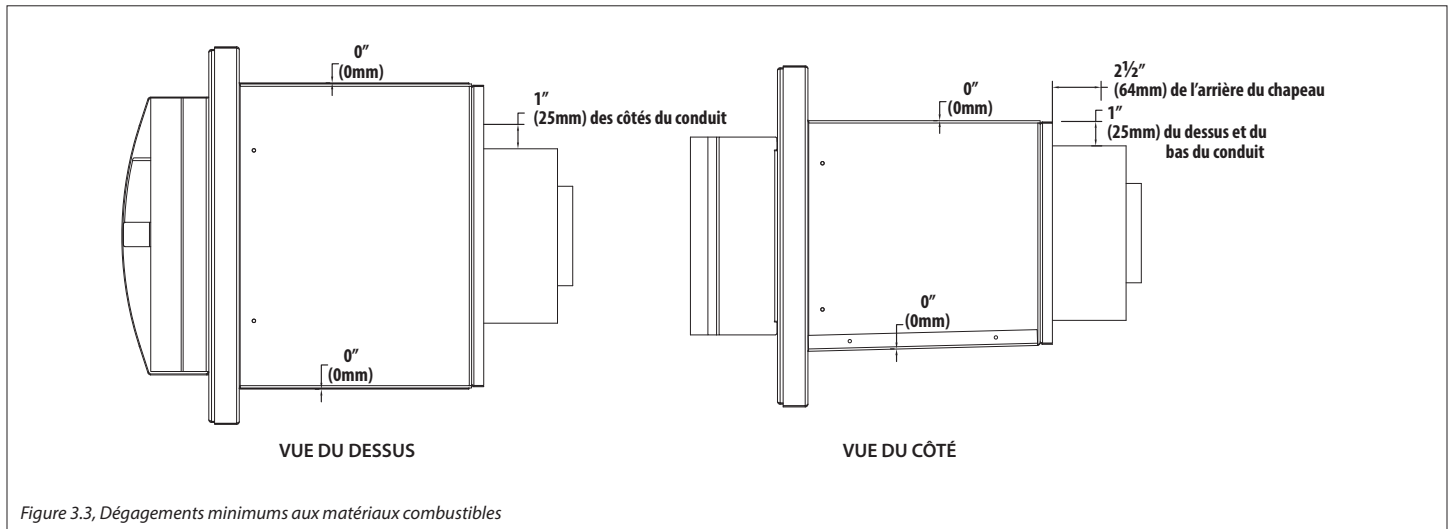
3.1.1 Dimensions d'encadrement

Construire un encadrement tel que montré à la Figure 3.2. Les matériaux d'encadrement doivent avoir les mêmes dimensions que les matériaux de charpente et d'encadrement mural.

IMPORTANT: L'encadrement du KPV DOIT être de niveau pour s'assurer que l'eau de pluie ne s'accumule pas à l'intérieur du système Power Vent.

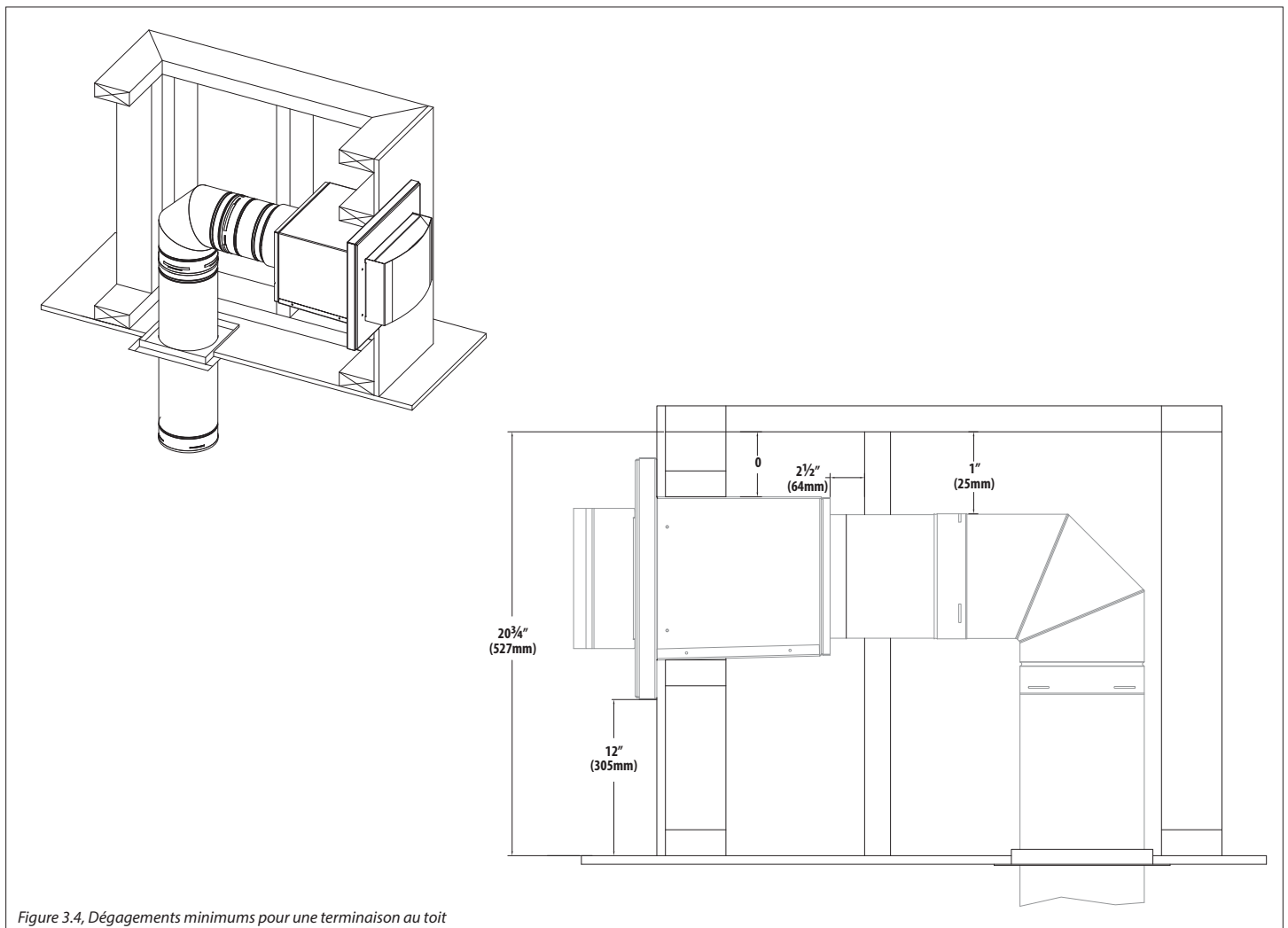


3.2 Dégagements aux matériaux combustibles

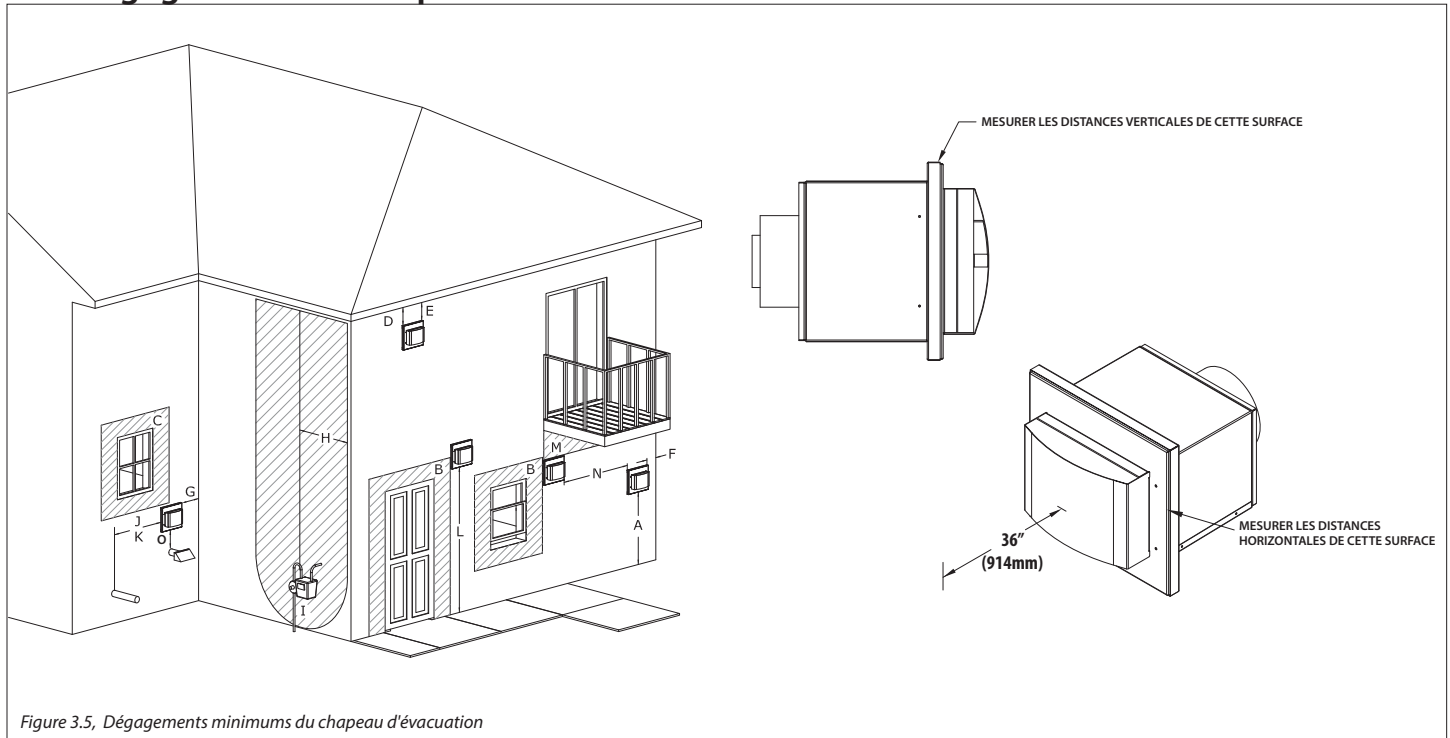


3.3 Terminaison au toit

Si le KPV doit se terminer sur un toit plat, une enceinte similaire à celle montrée à la Figure 3.4 devra être construite.



3.4 Dégagements du chapeau d'évacuation



	Installations au Canada	Installations aux É.-U.
A Dégagement au-dessus d'un terrain, véranda, galerie, terrasse ou balcon	12 po (30 cm)	12 po (30 cm)
B Dégagement à une porte ou fenêtre ouvrante	12 po (30 cm)	9 po (23 cm)
C Dégagement à une porte ou fenêtre fermée en permanence (pour éviter de la condensation sur la fenêtre)	12 po (30 cm)*	12 po (30 cm)*
D Dégagement vertical à un soffite ventilé situé au-dessus du chapeau d'évacuation en-deçà d'une distance horizontale de 2 pieds (61 cm) du centre du chapeau d'évacuation	0 po (0 cm)*	0 po (0 cm)*
E Dégagement à un soffite non ventilé	0 po (0 cm)*	0 po (0 cm)*
F Dégagement à un coin extérieur	0 po (0 cm)*	0 po (0 cm)*
G Dégagement à un coin intérieur	12 po (30 cm)*	12 po (30 cm)
H Dégagements de chaque côté du centre projeté au-dessus d'un compteur/régulateur de gaz	3 pieds(91 cm) du centre à une hauteur de 15 pieds (4,5m) au-dessus du compteur/rég.	*
I Sortie d'évent du régulateur de gaz	3 pi (91 cm)	*
J Prise d'alimentation d'air non mécanique du bâtiment, ou prise d'air de combustion à tout autre appareil	12 po (30 cm)	9 po (23 cm)
K Prise d'air de ventilation mécanique	6 pi (1,83 m)	3 pi (914 mm) au-dessus, si à moins de 10 pi (3,05 m) de distance horizontale. Massachusetts: 10 pi (3 m)
L Au-dessus d'un trottoir pavé ou d'une entrée d'auto pavée, situés sur un terrain public	7 pi (2.13 m)†	*
M Sous la véranda, la galerie, la terrasse ou le balcon	12 po (30 cm)‡	12 po (30 cm)
N Entre deux terminaisons d'évacuation horizontales	12 po (30 cm)	12 po (30 cm)
O Au-dessus de l'évacuation ou de la prise d'air d'une fournaise	12 po (30 cm)	12 po (30 cm)

* Les dégagements doivent être conformes aux codes d'installation locaux et aux exigences du fournisseur de gaz.

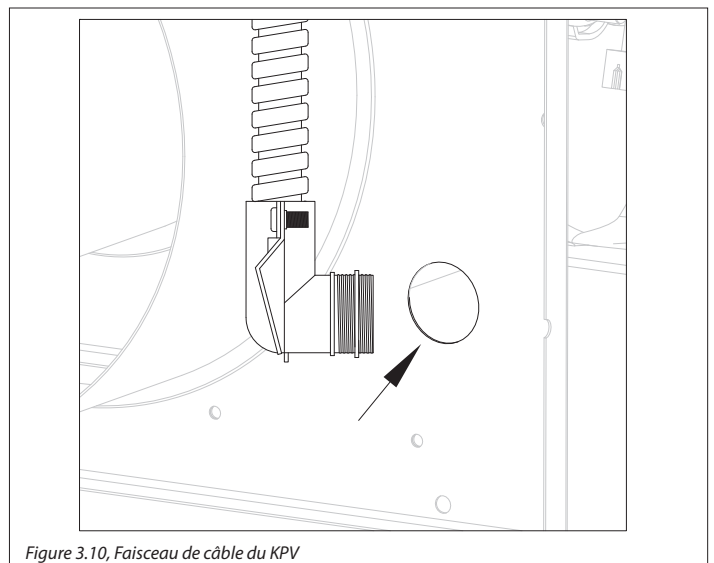
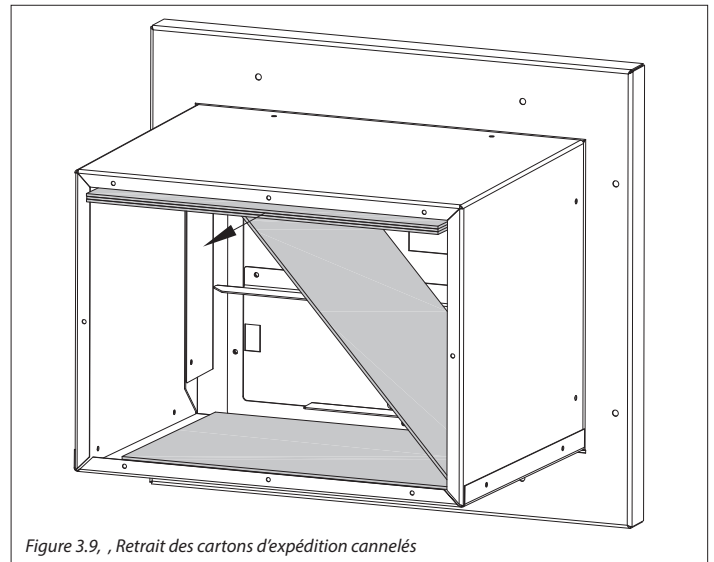
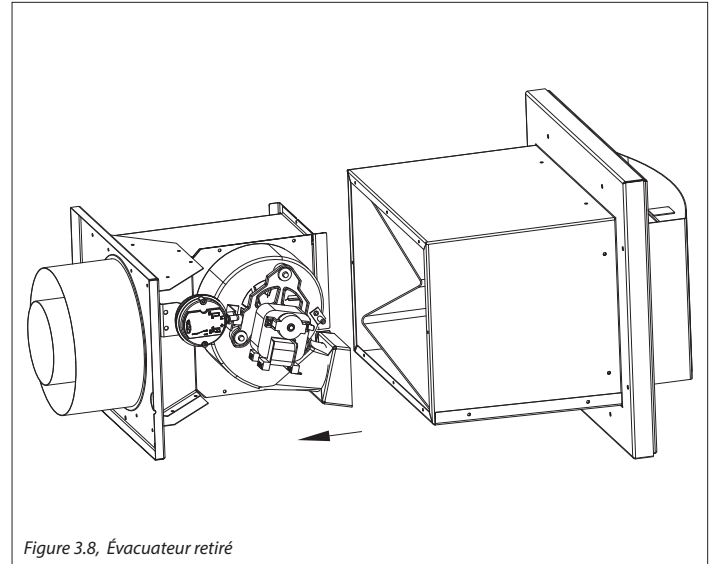
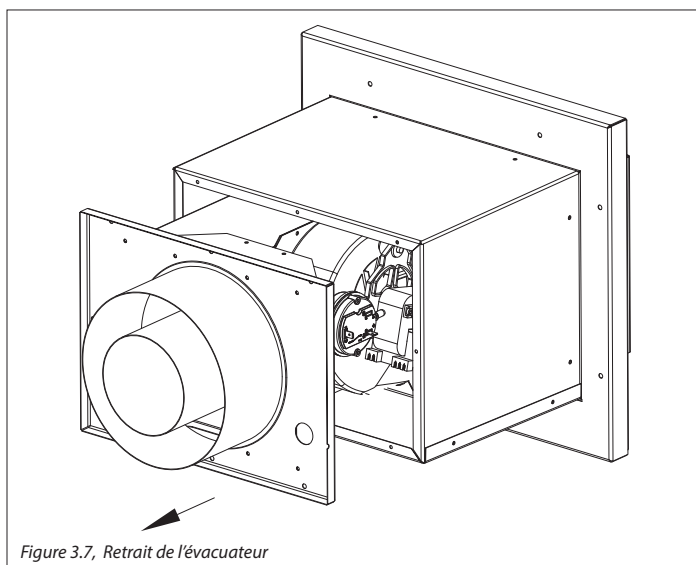
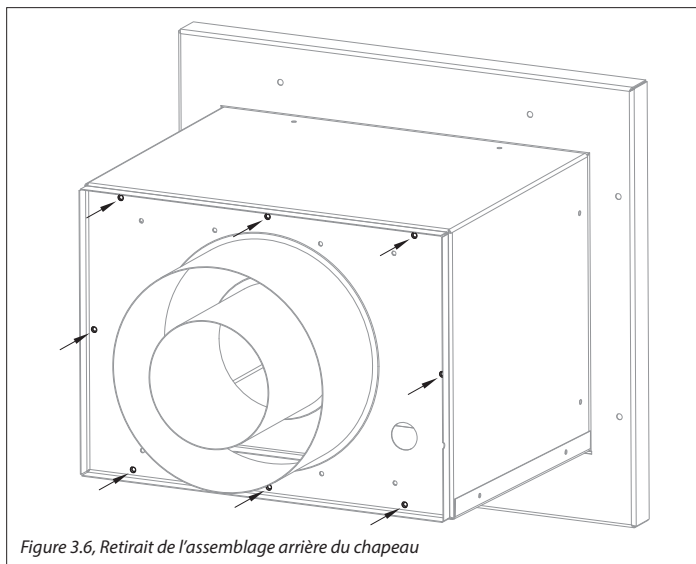
† L'évacuation ne peut pas se terminer au-dessus d'un trottoir ou entrée d'auto pavée situés entre (2) habitations familiales implés et desservant les 2 habitations

‡ Permis seulement si la véranda, la galerie, la terrasse ou le balcon sont complètement ouverts au moins aux deux côtés sous le plancher

AVIS DE NON-RESPONSABILITÉ - SOFFITES EN VINYLE, PLAFONDS EN VINYLES ET AVANT-TOITS EN VINYLE : Dégagements aux matériaux résistant à la chaleur (ex. bois, métal). Ceci n'inclut pas le vinyle. Hussong Manufacturing Co., Inc. pas responsable des dommages dus à la chaleur si la terminaison (conduit) d'évacuation aboutit sous un avant-toit (ex. corniche) en vinyle, un plafond en vinyle ou un soffite (ventilé ou non ventilé) en vinyle

3.5 Installation du chapeau d'évacuation

1. Retirez les 8 vis retenant l'assemblage arrière au chapeau. Voir Figure 3.6.
2. Glissez l'évacuateur pour le sortir par l'arrière du chapeau. Voir Figure 3.7 et Figure 3.8.
3. Retirez les deux cartons d'expédition cannelés. Voir Figure 3.9.
4. Insérez le faisceau de câble du KPV dans le trou d'accès électrique dans le couvercle arrière du chapeau. Voir Figure 3.10.
(Suite des instructions à la page suivante.)



NOTE: Utilisez le schéma de câblage de Figure 3.13 pour vous guider, en suivant les instructions ci-dessous.

5. Connectez les fils rouge et brun à l'interrupteur d'aspiration, tel que monté à la Figure 3.11.
6. Connectez les fils blanc et noir, venant du faisceau de câbles du KPV, aux fils noirs du ventilateur.
7. NOTE: La Figure 3.12 montre tous les fils connectés.
8. Passez à la Section 3.5.1 Matériaux de finition (page 13).

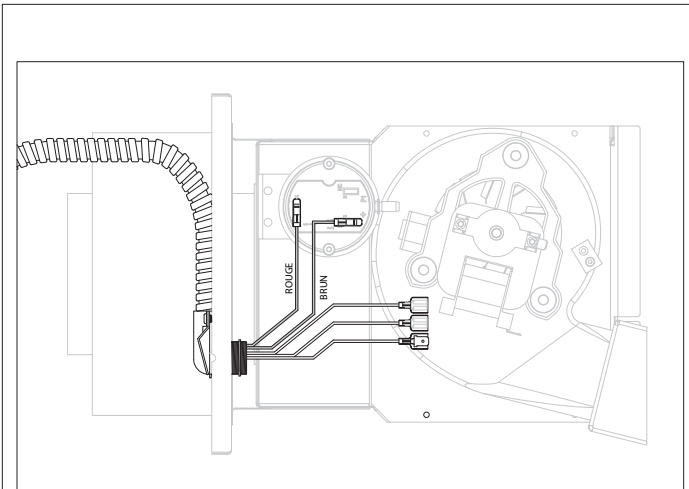


Figure 3.11, Interrupteur d'aspiration

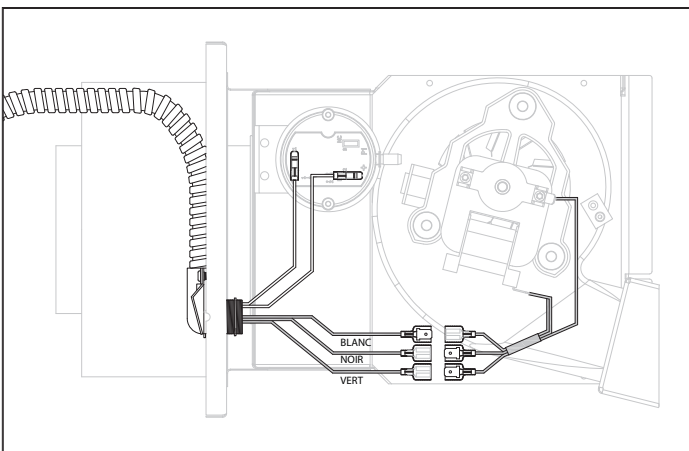


Figure 3.12, Fils connectés

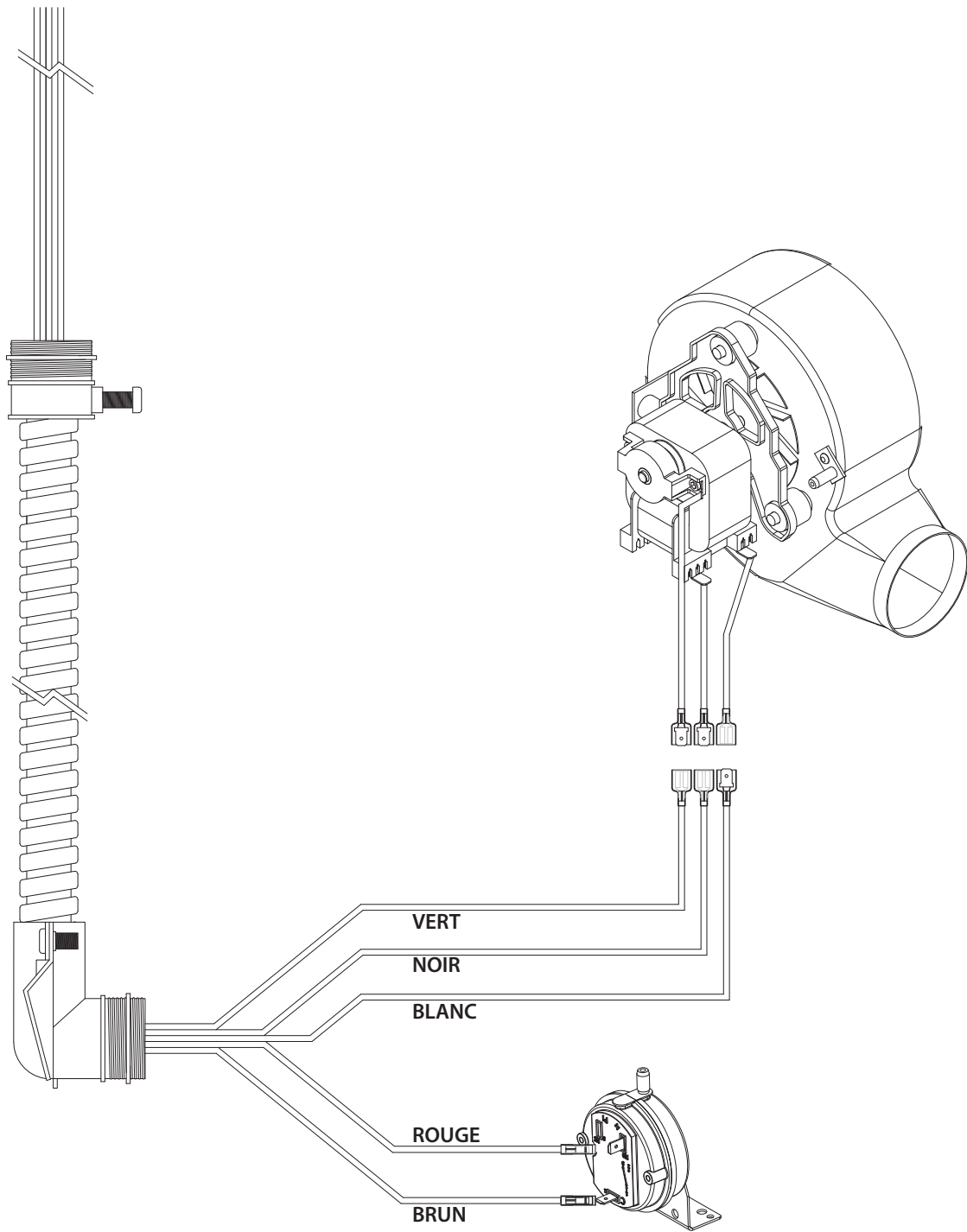


Figure 3.13, Câblage interne du Power Vent

3.5.1 Matériaux de finition

NOTE: Un kit d'extension de finition no KPV-FEK est nécessaire pour les installations dont l'épaisseur des matériaux de finition extérieure dépasse 1 po (25 mm). Commandez-le avec le foyer et le système d'évacuation. Il sert à assurer une finition d'installation convenant parfaitement aux dimensions du kit PowerVent (KPV).

IMPORTANT: IL EST IMPORTANT QUE LE KIT D'EXTENSION KPV-FEK SOIT DE NIVEAU POUR QUE LE KIT POWER VENT (KPV) SOIT AUSSI DE NIVEAU. CECI EST NÉCESSAIRE POUR S'ASSURER QUE L'EAU DE PLUIE NE S'ACCUMULE PAS DANS LE CHAPEAU D'ÉVACUATION. Veillez à ce que l'installation du KPV-FEK affleure au mur extérieur.

NOTE: Le scellant utilisé doit avoir une résistance en exposition continue d'au moins 300°F.

Si vous installez des matériaux de finition de moins de 1 po (25 mm) d'épaisseur, sautez à l'étape 10 (page suivante).

1. Placez la boîte du kit d'extension de finition par-dessus l'ouverture encadrée dans le mur, avec les brides extérieures orientées verticalement et retenues solidement à l'extérieur du bâtiment.
2. Vissez deux des vis à bois fournies dans les extrémités opposées des deux brides externes. Ceci fixera la boîte d'extension du KPV-FEK au bâtiment et permettra de l'installer bien d'équerre. Figure 3.14. Calfeutrez tous les coins, joints et lignes de pliage avec du scellant à base de silicone (ayant une résistance minimale de 300°F en exposition continue). Vérifiez que tous les trous et fentes sont remplis pour former une enveloppe scellée étanche.
3. Le mur est maintenant prêt à recevoir les matériaux de finition (ex. pierre, marbre ou brique), qui peuvent être appliqués jusqu'aux brides du KPV-FEK qui dépassent du mur perpendiculairement. Ceci assurera l'installation adéquate du chapeau dans l'ouverture, une fois la finition murale terminée.

NOTE: Les matériaux de finition ne doivent exercer aucune pression sur les brides extérieures du KPV-FEK, pour éviter que le poids des matériaux de finition ne rétrécisse l'ouverture.

4. Après avoir installé le KPV-FEK et terminé d'installer les matériaux de finition du mur, appliquez un joint de silicone au KPV-FEK, sur le pourtour des brides métalliques.
5. Appliquez un joint de silicone le long de la face arrière, tout autour des brides métalliques du KPV (Power Vent). Alignez le KPV-FEK (kit d'extension) tel que montré à la Figure 3.15. Assurez-vous que le chapeau d'évacuation est de niveau et d'équerre, puis fixez le KPV (Power Vent) au KPV-FEK avec 8 vis.
6. Réinstallez l'assemblage arrière du chapeau du KPV, que vous aviez retiré à l'étape 1 de la Section 3.5. Voir Figure 3.16
7. Après avoir fixé le KPV au KPV-FEK, appliquez du silicone autour du bord externe du KPV-FEK, là où il touche l'extérieur du bâtiment. Du silicone doit aussi être appliqué aux points de jonction entre le KPV et le KPV-FEK, tel que montré à la Figure 3.17 (page suivante).
8. Placez un revêtement décoratif autour du chapeau d'évacuation et fixez en place. Après la mise en place du revêtement, l'installation est terminée.
9. Appliquez un joint de silicone sur la face arrière de la bride de fixation du chapeau. Voir Figure 3.18 (page suivante). **(Suite des instructions à la page suivante)**

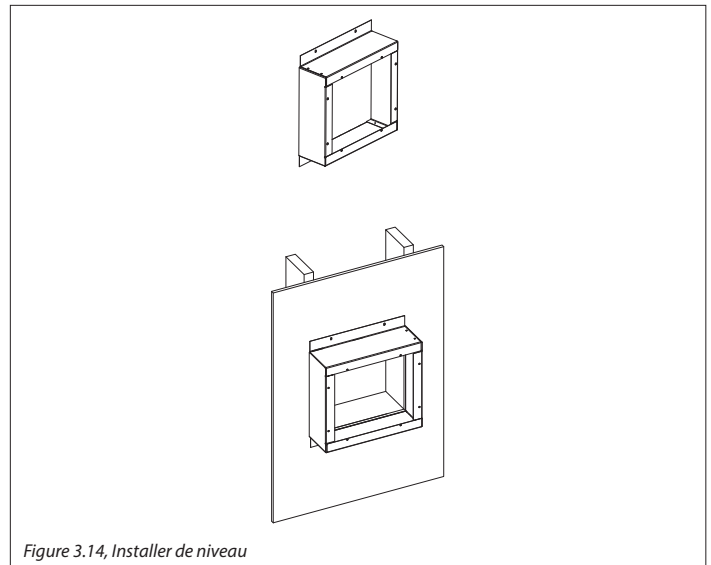


Figure 3.14, Installer de niveau

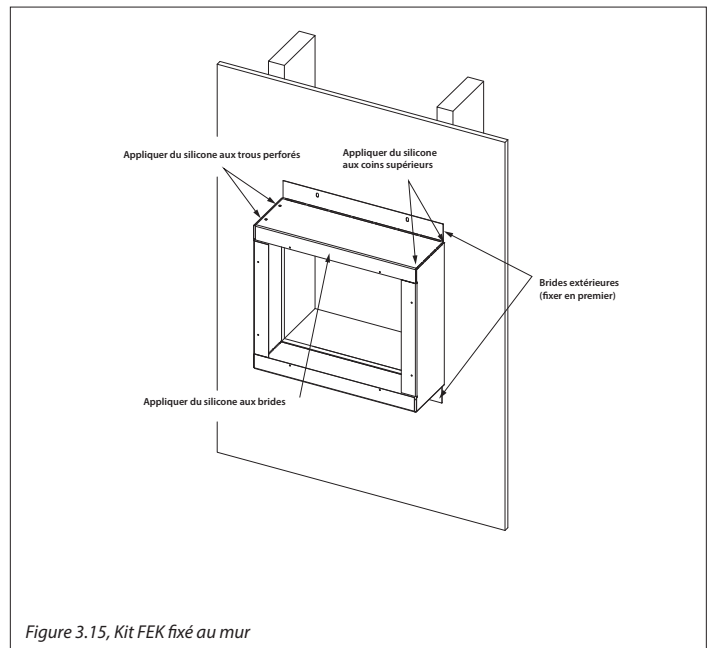


Figure 3.15, Kit FEK fixé au mur

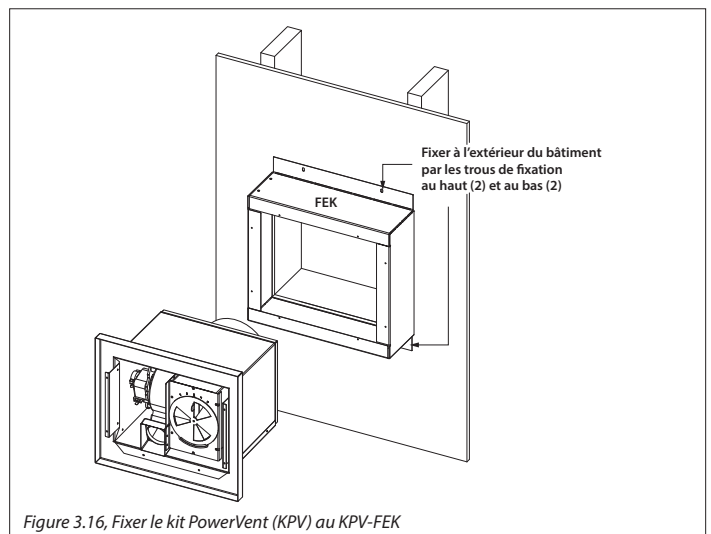


Figure 3.16, Fixer le kit PowerVent (KPV) au KPV-FEK

10. Installez le chapeau d'évacuation dans le mur et fixez-le au mur en utilisant les 8 vis fournies. Voir Figure 3.19.

NOTE: Be careful not to tear the gasket on the mounting flange on the #KPV back assembly during re-assembly in Step 12.

11. Réinstallez l'assemblage arrière du KPV, que vous aviez retiré à l'étape 1 de la Section 3.5.

12. Une fois le chapeau d'évacuation fixé au mur, appliquez un joint de silicone (résistance minimale de 300°F en exposition continue) autour de la base du chapeau. Voir Figure 3.20.

13. Réinstallez le couvercle du chapeau en utilisant les 4 vis retirées précédemment.

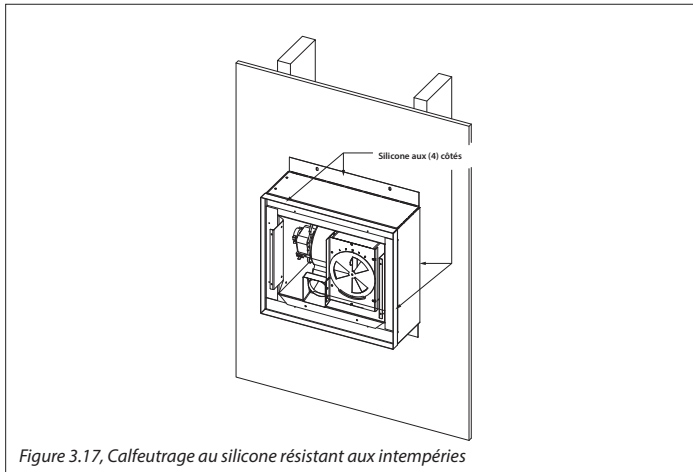


Figure 3.17, Calfeutrage au silicone résistant aux intempéries



Figure 3.18, Silicone sur la face arrière

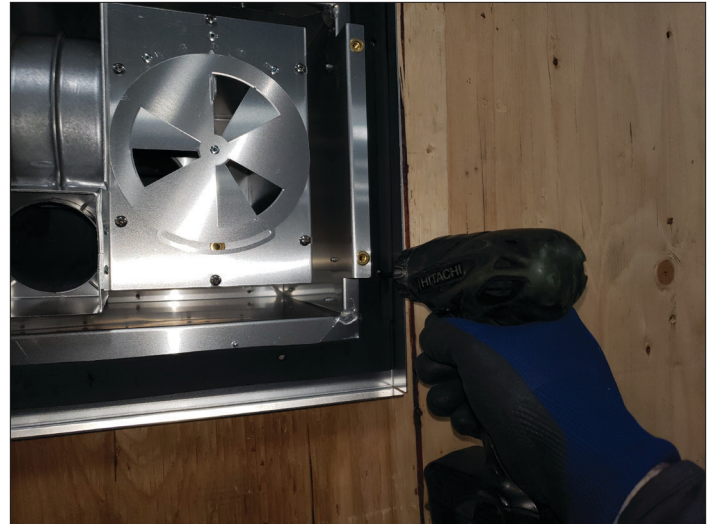


Figure 3.19, Le chapeau est fixé dans le mur



Figure 3.20, Silicone autour de la base du chapeau

4.0 INSTALLATION ÉLECTRIQUE

4.1 Câblage de l'appareil

NOTE: Le câblage électrique doit être effectué conformément aux codes de l'électricité nationaux, provinciaux et/ou locaux.

AVERTISSEMENT: Coupez l'alimentation électrique du foyer et du Power Vent pour l'entretien, les réparations ou tout câblage électrique.

NOTE: Une alimentation électrique 120 V c.a./60 Hz / 0,85 A doit être installée à la boîte de jonction du foyer, pour le bon fonctionnement du Power Vent.

Les dégagements adéquats doivent être maintenus aux câbles et au conduit. Aucun câble électrique ne doit être installé au-dessus du conduit d'évacuation et tout câble électrique doit maintenir un dégagement minimal de 1 po (25 mm) au conduit d'évacuation.

Le bloc-piles de secours ne fonctionnera pas avec le Power Vent installé

4.1.1 Préparation du panneau de contrôle

1. Retirez le panneau de contrôle de son boîtier et déconnectez tous les fils.
2. Avec un tournevis plat, soulevez les languettes du couvercle du module de contrôle pour retirer le couvercle.
3. Repérez le cavalier JP1. C'est un petit cavalier en plastique qui connecte deux broches de contact, tel que montré à la Figure 4.2.
4. Tirez vers le haut pour retirer le cavalier en plastique et exposer les 2 broches de contact individuelles situées en-dessous. Ceci change la fonction du module de contrôle pour passer du système à tirage naturel au système à tirage mécanique Power Vent (Figure 4.3).
5. Réinstallez le couvercle du module de contrôle. Branchez tous les composants débranchés précédemment.

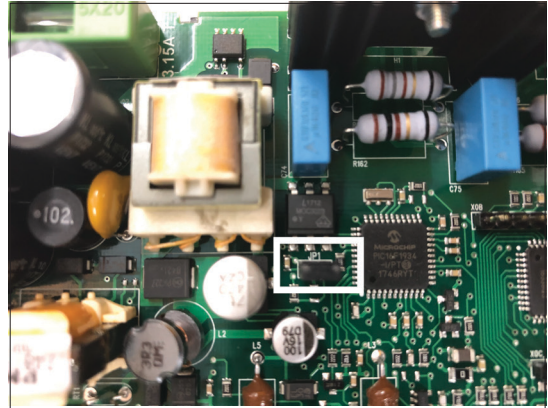


Figure 4.2, Cavalier JP1

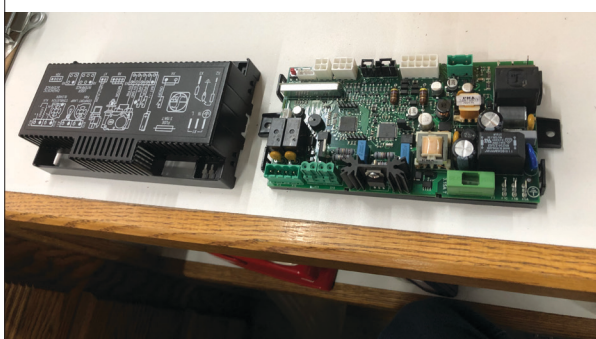
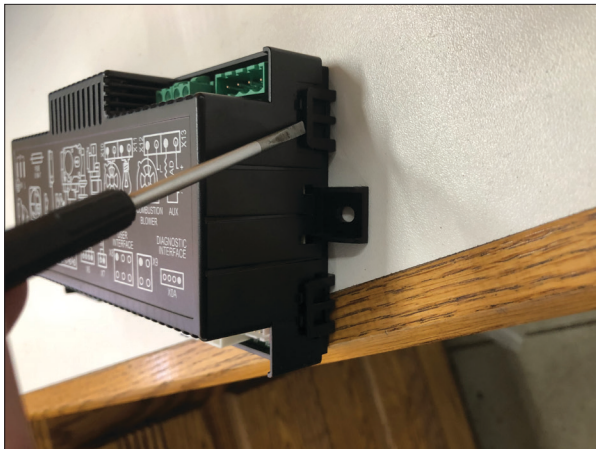


Figure 4.1, Retrait du couvercle du panneau de contrôle

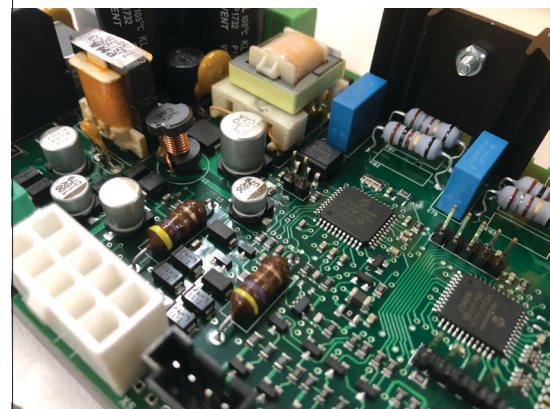
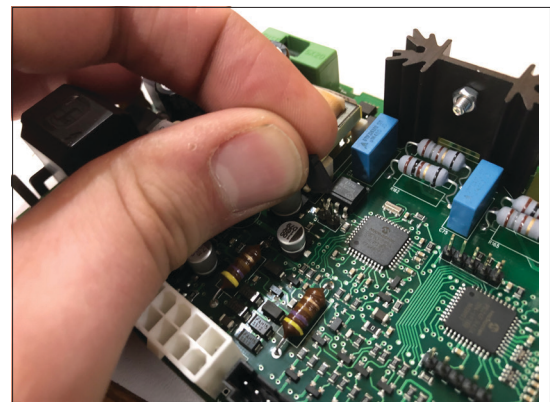


Figure 4.3, Cavalier en plastique retiré

4.1.2 Câblage du KPV à l'appareil

NOTE: Utilisez le schéma de câblage de Figure 4.8 pour vous guider, en suivant les instructions ci-dessous.

1. En fonction de l'emplacement de votre sortie d'évacuation, il ya deux plaques amovible du Power Vent. Repérez le trou d'un côté ou l'autre du foyer, pour l'accès au câblage du Power Vent. Retirez les vis de fixation de la plaque pour l'installation du câble. Réinstallez la plaque lorsque vous terminés. Voir Figure 4.4.
2. Insérez le câble déroulé dans la section élargie du trou, jusqu'au début du conduit de câble flexible en métal. Dévissez l'écrou de l'extrémité du conduit de câble et insérez l'extrémité du conduit dans la section étroite du trou d'ouverture. Revissez l'écrou de blocage sur les filets du conduit pour le fixer au foyer. Voir Figure 4.5.
3. Repérez le Faisceau de câble Power Vent IFC (fourni avec ce kit). Branchez le connecteur de faisceau dans le récepteur de X12 et X13. Voir Figure 4.6.

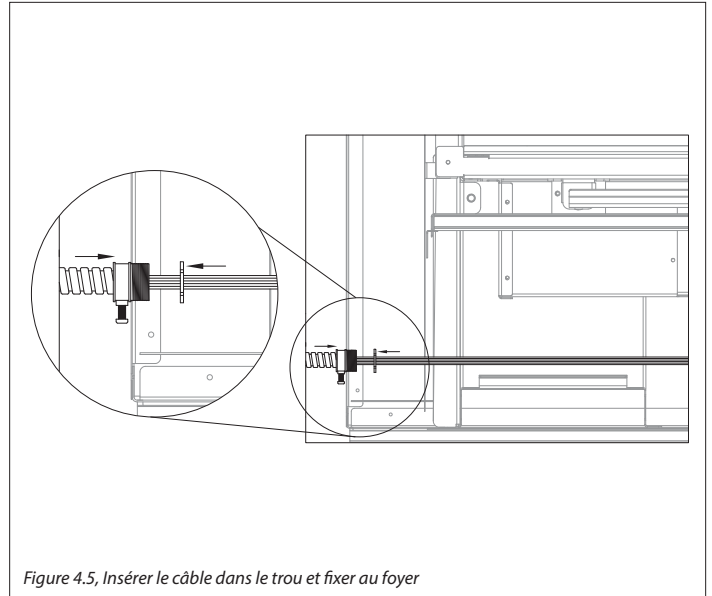


Figure 4.5, Insérer le câble dans le trou et fixer au foyer

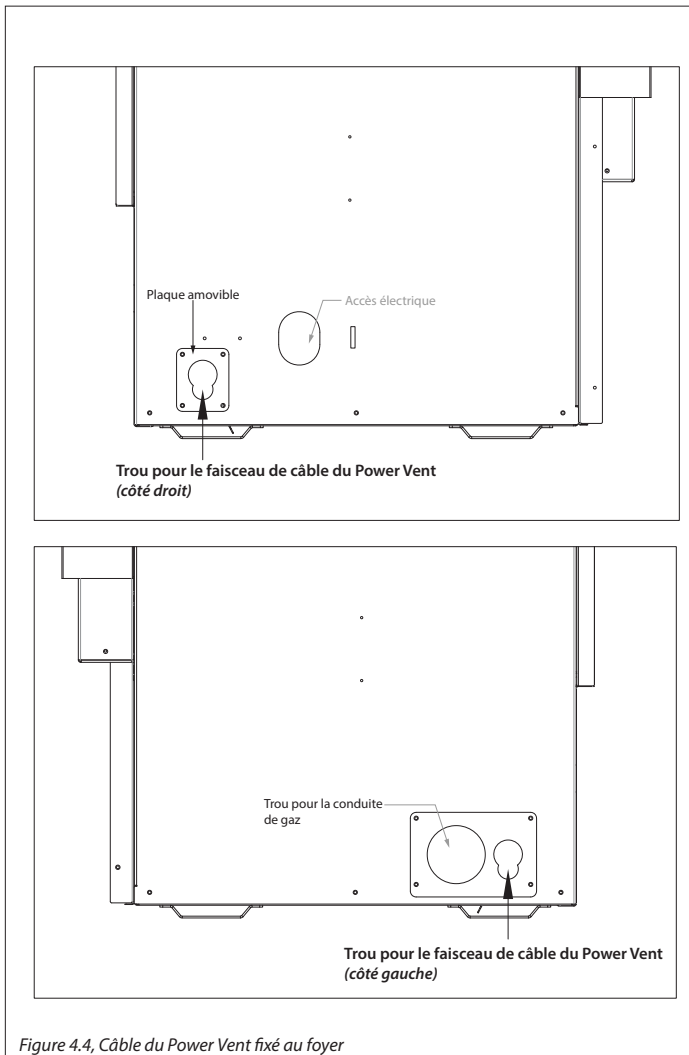


Figure 4.4, Câble du Power Vent fixé au foyer

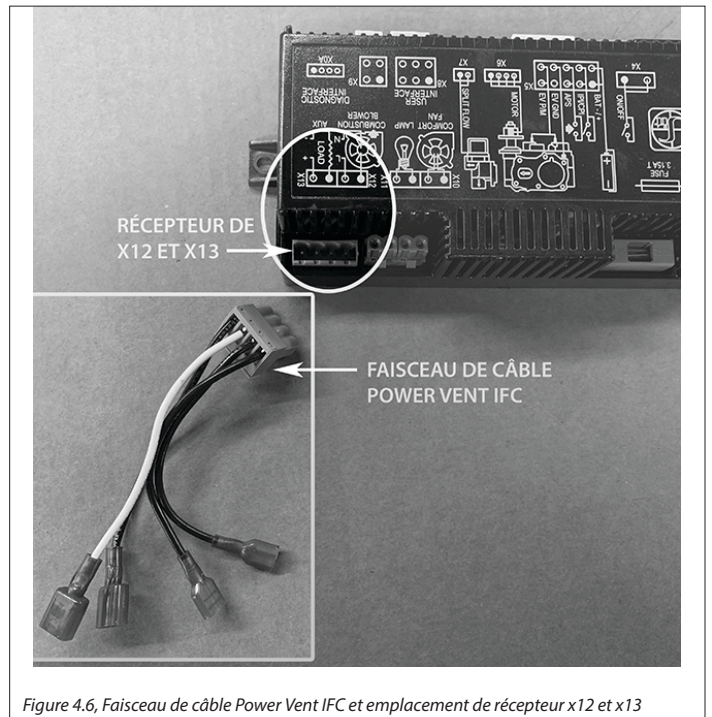


Figure 4.6, Faisceau de câble Power Vent IFC et emplacement de récepteur x12 et x13

4. Le faisceau de câble du Power Vent comporte un fil noir (porteur de tension) séparé avec deux connexions femelle à branchement rapide aux deux extrémités. Branchez-les aux fils noirs (connexions à branchement rapide) sortant du module de contrôle, à l'emplacement de connexion X12 du ventilateur de combustion. Voir Figure 4.6 et Figure 4.8.
5. Repérez le fil bleu bouclé au faisceau de câble du module de contrôle, qui se connecte à l'emplacement IPI/CPI du module de contrôle. Coupez ce fil bleu en deux pour ainsi avoir deux fils bleu séparés.
6. Repérez le fil jaune APS bouclé au faisceau de câble du module de contrôle. Coupez ce fil jaune en deux pour avoir deux fils jaune séparés. Dénudez env. 1/2 po (13 mm) de gaine au bout de chaque fil. Utilisez les (2) serre-fils bleu fournis, et torsadez un fil jaune APS en le croisant au fil brun venant de l'interrupteur d'aspiration du système Power Vent. Utilisez l'autre serre-fil bleu pour torsader l'autre fil jaune APS au fil rouge venant de l'interrupteur d'aspiration, tel que montré à la Figure 4.7.
7. Installez l'autre extrémité du câble Power Vent pour se rendre jusqu'au chapeau d'évacuation du Power Vent. Pour raccorder le faisceau de câble au ventilateur et à l'interrupteur d'aspiration, voir la Section 3.5 (page 11).
8. Branchez la fiche de branchement «three prong plug» dans le boîtier de électrique situé dans l'appareil.

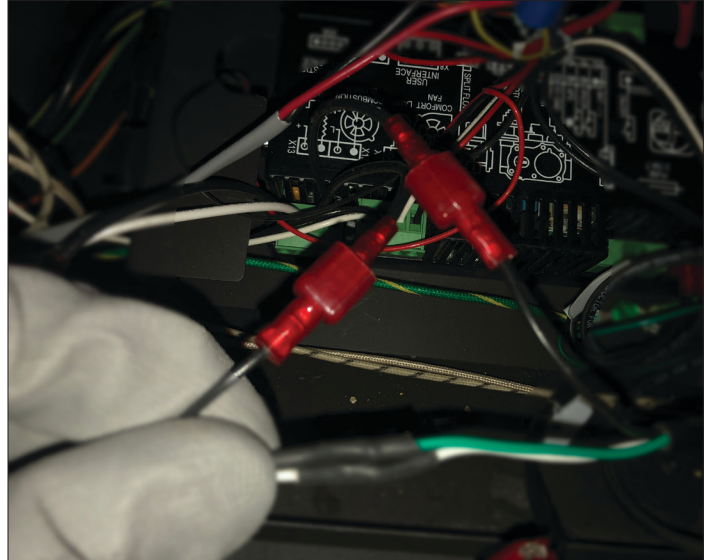


Figure 4.7, Connexion des fils noirs à branchement rapide

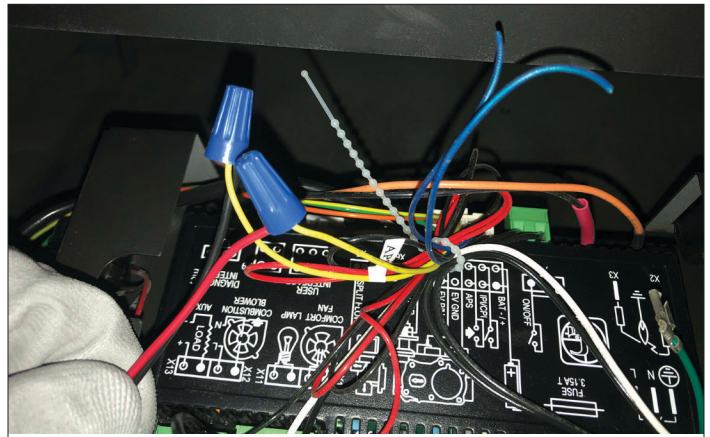


Figure 4.8, Serre-fils installés aux fils identifiés «APS»

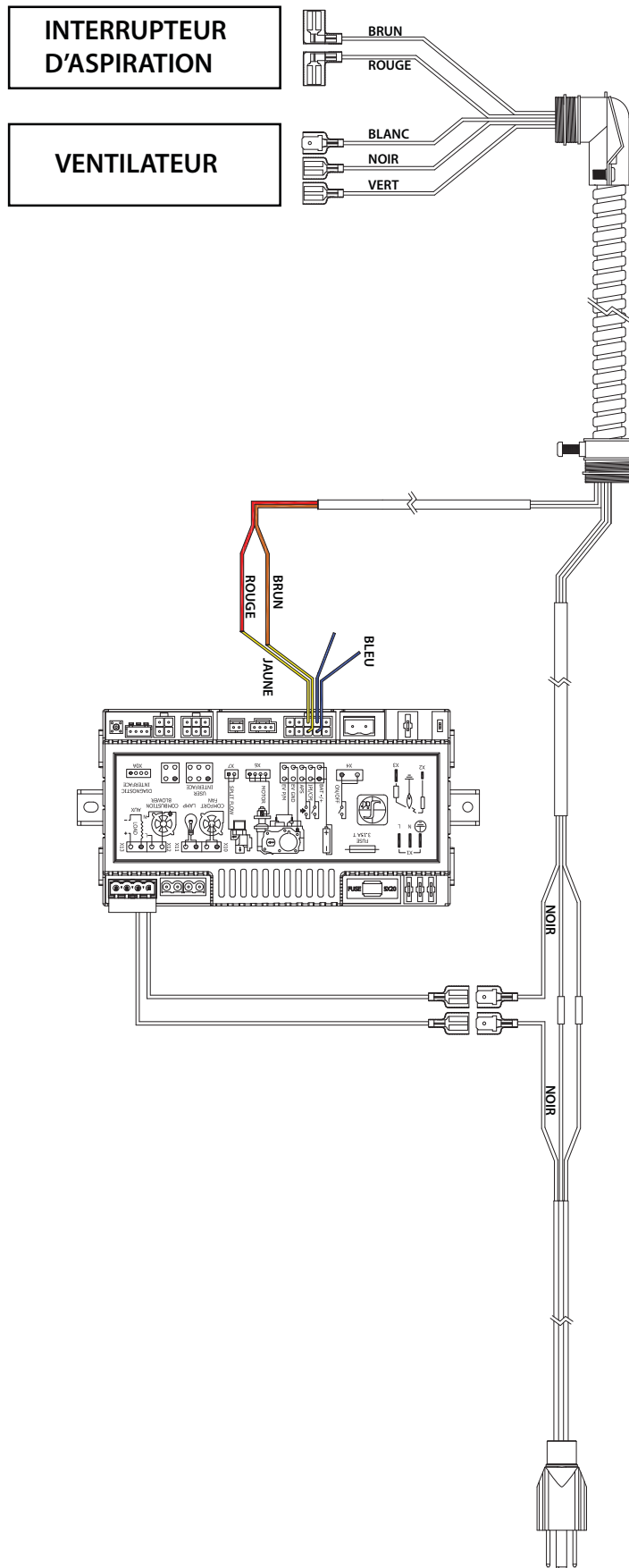


Figure 4.9, Câblage interne du foyer

5.0 ENTRETIEN

AVERTISSEMENT: Avant d'effectuer l'entretien ou des réparations du système Power Vent, assurez-vous de débrancher toute alimentation électrique du foyer et du système Power Vent.

Système d'évacuation : Inspectez tous les composants et raccords une fois par an. Remplacez, scellez ou serrez les raccords de conduit au besoin.

Moteur : Les roulements du moteur du ventilateur sont scellés et n'exigent aucune lubrification additionnelle. Pour accéder au moteur, à l'interrupteur d'aspiration ou au tube de détection de pression, voir la Section 5.1.

5.1 Remplacement du ventilateur et du interrupteur d'aspiration

AVERTISSEMENT : Avant d'effectuer l'entretien ou des réparations du système Power Vent, assurez-vous de débrancher toute alimentation électrique du foyer et du système Power Vent.

1. Retirez les (4) vis retenant le couvercle avant et mettez-le de côté. Voir Figure 5.1.
2. Retirez les (6) vis retenant le couvercle du boîtier de l'évacuateur et mettez-le de côté. Voir Figure 5.2 et Figure 5.3.
3. Retirez le fil porteur, le fil neutre et le fil de terre, de l'avant du ventilateur. Voir Figure 5.4.
4. Retirez le tube d'aspiration du ventilateur. Voir Figure 5.5 (page suivante).
5. Retirez les trois vis retenant le ventilateur. Voir Figure 5.6 (page suivante).
6. Retirez le ventilateur de son boîtier. Voir Figure 5.7 (page suivante).
7. Retirez les deux vis retenant la bride d'interrupteur d'aspiration au boîtier d'évacuateur. Voir Figure 5.8 (page suivante).
8. Retirez l'interrupteur d'aspiration. Voir Figure 5.9 (page suivante).
9. Après avoir remplacé les composants nécessaires, réinstallez tous les composants retirés précédemment, dans l'ordre inverse.



Figure 5.2, Vis de l'évacuateur



Figure 5.3, Retrait de l'évacuateur



Figure 5.1, Retrait du couvercle avant

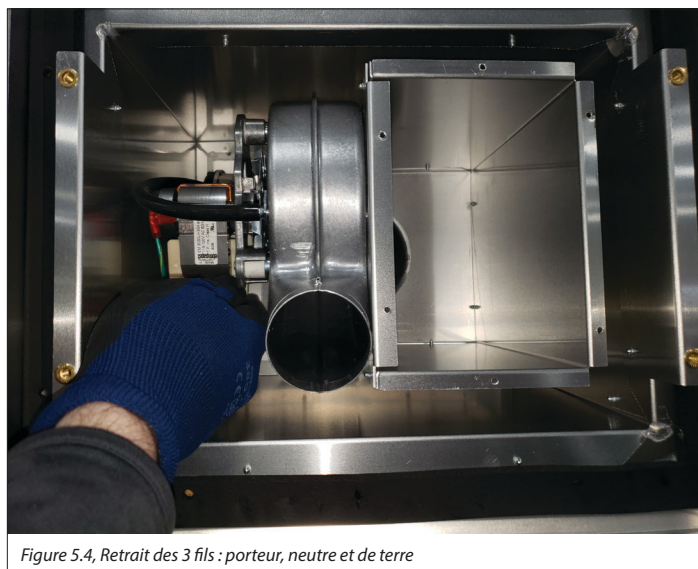


Figure 5.4, Retrait des 3 fils : porteur, neutre et de terre



Figure 5.5, Retrait du tube d'aspiration

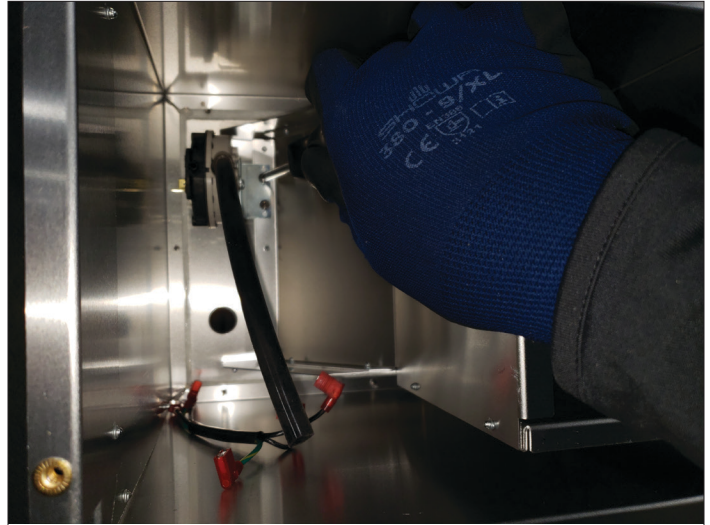


Figure 5.8, Les vis retenant la bride de l'interrupteur d'aspiration



Figure 5.6, Retrait des (3) vis de fixation du ventilateur



Figure 5.9, Retrait de l'interrupteur d'aspiration

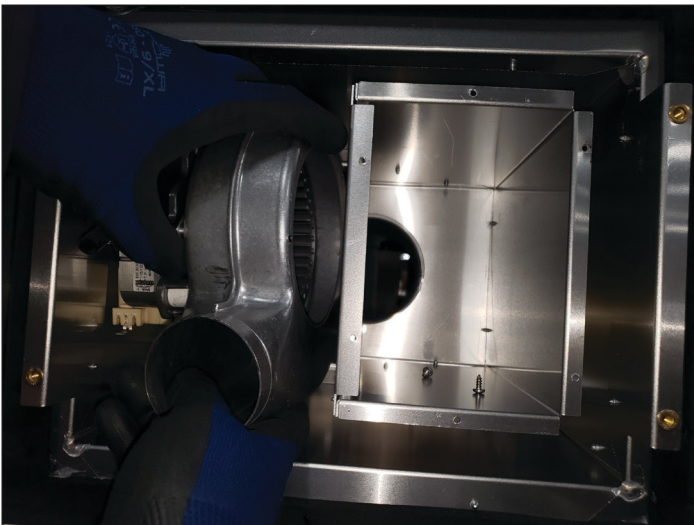


Figure 5.7, Retrait du ventilateur

6.0 DÉPANNAGE

Problème	Cause	Solution
La veilleuse ne s'allume pas	Alimentation électrique interrompue ou débranchée	Rétablir l'alimentation électrique du foyer.
	Câblage déconnecté	À partir du schéma de câblage de ce manuel, vérifier que tous les câbles et fils sont connectés correctement et les connexions bien serrées.
	Alimentation de gaz fermée	Vérifier les robinets d'arrêt manuels éloignés du foyer. En général, il y a un robinet d'arrêt près de la conduite de gaz principale. Il peut y avoir plus d'un robinet d'arrêt entre le foyer et la conduite de gaz principale.
La veilleuse ne reste pas allumée	Réservoir de propane vide	Vérifier le réservoir de propane. Le remplir, au besoin.
	Basse pression de gaz	Consulter un plombier ou le fournisseur de gaz. Peut être causée par une canalisation pliée, un tuyau de diamètre trop étroit, ou une basse pression de la conduite de gaz principale.
	Mauvais contact entre la flamme de la veilleuse et le détecteur de flamme (à redressement) de l'ensemble de veilleuse	Vérifier que la flamme de la veilleuse enveloppe le haut du détecteur de flamme et se propage assez loin sur le brûleur pour l'allumer. Pour ajuster la flamme de la veilleuse, tourner la vis de réglage de flamme sur la valve de contrôle de gaz : en sens horaire pour réduire la flamme, et en sens antihoraire pour augmenter la flamme.
	Vis de réglage de veilleuse pas étanche	Sceller la vis de réglage de veilleuse. Ne pas trop la serrer.
La flamme du brûleur ne s'allume pas	Interrupteur à bascule ON/OFF positionné à OFF	Positionner l'interrupteur à bascule à ON.
	Alimentation de gaz fermée	Vérifier la présence de plusieurs robinets d'arrêt sur la conduite d'alimentation de gaz. Vérifier que l'alimentation de gaz est ouverte.
	Basse pression de gaz	Consulter un plombier ou le fournisseur de gaz. Vérifier le réservoir de propane. Le remplir, au besoin.
	Câble déconnecté ou connexion incorrecte	Vérifier s'il y a un câble déconnecté, défectueux ou connecté au mauvais endroit.
	Orifice de brûleur bouché ou obstrué	Retirer ce qui bouche ou obstrue l'orifice du brûleur.
	Problème de flamme de veilleuse	Vérifier que la flamme de veilleuse est correctement dirigée pour allumer le brûleur. Voir le dépannage des problèmes de veilleuse et/ou de flamme de veilleuse (ci-dessus).
	La télécommande ne fonctionne pas bien	Remplacer les piles.
	Aucune demande de chauffage	Vérifier que la télécommande est allumée (à ON) et que la fonction thermostat est désactivée (à OFF).
	L'aspiration n'est pas détectée	Vérifier que le tube d'aspiration est solidement branché entre l'interrupteur d'aspiration et l'orifice d'aspiration du ventilateur. Vérifier s'il y a un câble mal connecté ou défectueux entre l'interrupteur d'aspiration et le module de contrôle. Remplacer l'interrupteur d'aspiration.

Problème	Cause	Solution
La veilleuse et le brûleur s'éteignent après avoir fonctionné	Réservoir de propane vide	Vérifier le réservoir de propane. Remplir, au besoin.
	Installation incorrecte du cadre vitré	Ajuster au besoin. Voir le manuel d'installation de l'appareil.
	Installation incorrecte du chapeau d'évacuation	Ajuster au besoin.
	Chapeau d'évacuation bouché/obstrué	Retirer les débris et/ou dégager l'obstruction.
	Gaz d'évacuation fuyant par le tuyau d'évacuation interne et refluant dans la chambre de combustion	Vérifier la présence de fuites, et réparer au besoin.
	Tirage excessif	Ajuster le système de dérivation de tirage. Voir la Section 2.3, Ajustement de la dérivation de tirage (page 7).
Dépôts de suie sur la vitre	Position incorrecte des braises décoratives sur le brûleur	Voir le manuel d'installation de l'appareil.
	Réglage de venturi incorrect	Il faut parfois ouvrir légèrement le venturi pour laisser passer plus d'air dans le mélange de gaz.
	Installation incorrecte du chapeau d'évacuation	Ajuster au besoin.
	Chapeau d'évacuation bouché/obstrué	Retirer les débris et/ou dégager l'obstruction.
Flammes bleues et sautant du brûleur	Réglage incorrect du venturi	Il faut parfois ouvrir légèrement le venturi pour laisser passer plus d'air dans le mélange de gaz. Voir le manuel d'installation de l'appareil.
	Installation incorrecte du chapeau d'évacuation	Ajuster au besoin.
	Obstructions ou fuites du système d'évacuation	Vérifier la présence de fuites du conduit d'évacuation ou de débris obstruant le chapeau d'évacuation. Réparer le conduit d'évacuation ou retirer les débris du chapeau d'évacuation.
	Tirage excessif	Ajuster le système de dérivation de tirage. Voir la Section 2.3, Ajustement de la dérivation de tirage (page 7).
Aucune réaction aux commandes	Aucune communication entre la télécommande et le module IFC	Reprogrammer la télécommande avec le module de contrôle IFC. Voir le manuel d'installation de l'appareil.
	Le nombre maximal d'échecs d'allumage ou de restauration de flamme est atteint	Réinitialiser le module de contrôle IFC. Voir le manuel d'installation de l'appareil.

