

SLAYTON 60, SLAYTON 42S & SLAYTON 36

DIRECT VENT LINEAR GAS FIREPLACES



Slayton 60 shown with Rectangle screen front, Black Crystal glass media and optional Traditional Log Set

QUALITY FIREPLACES FOR LIFE.

KOZY  **HEAT**
FIREPLACES



Slayton 60 shown with Beveled screen front and Rock with Reflective Copper crushed glass

SLAYTON SERIES

Screen Fronts

Sizes shown below: Slayton 60 / Slayton 42S / Slayton 36

63-1/4" / 47-1/4" / 40-15/16"



19-13/16" /
21-3/8" /
19-13/16"

Rectangle screen front and Amber Crystal glass

63-1/4" / 47-1/4" / 40-15/16"



19-13/16" /
21-3/8" /
19-13/16"

Rectangle screen front with Brushed Nickel, Glacier Crystal glass and optional Driftwood Log Set

63-1/4" / 47-1/4" / 40-15/16"



19-13/16" /
21-3/8" /
19-13/16"

Rectangle screen front with Antique Copper, Glacier Crystal glass and optional Traditional Log Set

68-1/16" / 52-1/8" / 45-3/4"



24-11/16" /
26-1/4" /
24-3/8"

Beveled screen front with Amber Crystal glass





Slayton 36 shown with Rectangle screen front and Amber Crystal glass

SLAYTON SERIES

Optional Accent Media



Traditional Log Set



Driftwood Log Set



Rock



Driftwood/Rock

Glass Media

Crushed Glass



Reflective Midnight



Reflective Copper

Crystals



Glacier



Amber



Black



Seabreeze

SLAYTON SERIES

Specifications







Remote Control



KOMFORT KONTROL

The Komfort Kontrol remote gives you the ability to bring comfort and green technology all together into your home. With the Komfort Kontrol remote, all you have to do is decide a comfortable set point temperature on your remote and when the room temperature gets closer to the point you desire, the Komfort Kontrol remote will turn the flames down accordingly! And with our zone heating, you can save energy and enjoy time in the room you use the most by just turning down the central heat, setting your Komfort Kontrol remote, and enjoy your time around the fireplace with friends, family, or just a good book! That way you'll get to have heat where and when you need it while saving energy and money with just a click of the Komfort Kontrol remote!

Remote control features:

-  Thermostat function
-  Flame height modulation
-  Fan speed modulation
-  Light kit modulation
-  IPI to continuous pilot
-  Split Flow Option (Slayton 60 & 42S only)

Burn Videos



Slayton 60



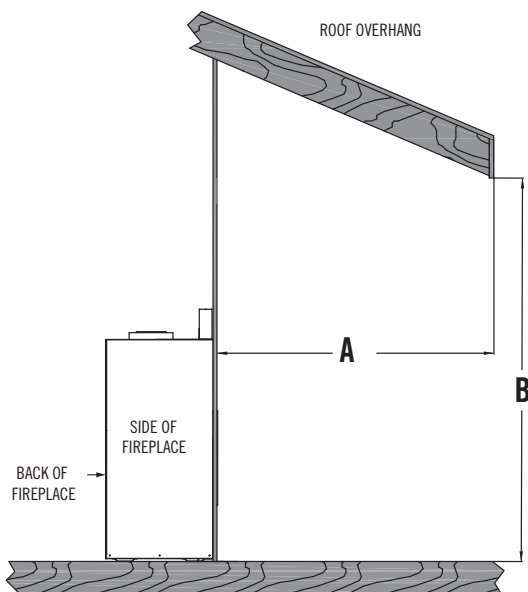
Slayton 42S



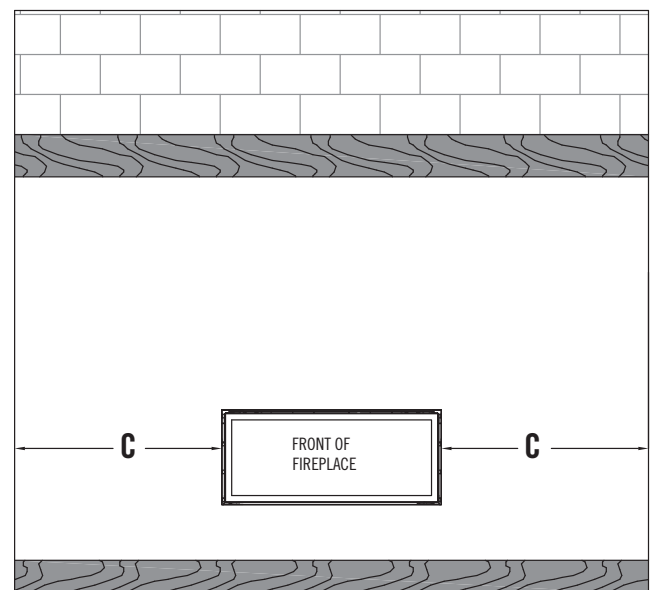
Slayton 36

Outdoor Covered Fireplace Install

- Fireplace operation is approved from 40 degrees F to 110 degrees F
- All wiring connections shall be in accordance with outdoor requirements of NECA NFPA 70
- All clearances and requirements in your appliance manual must be adhered to



The overhang (A) must be a minimum of 1/2 or greater of the roofline elevation (B) above the base of the fireplace.



The width of the overhang to each side of the appliance (C) must be a minimum of 1/2 or greater of the roofline elevation (B) above the base of the fireplace.

EXAMPLE: If roofline (B) is 10 ft. above the base of the fireplace, the overhang (A) must be 5 ft. or greater. The width of the overhang to EACH side of the fireplace (C) must be 5 ft. or greater.

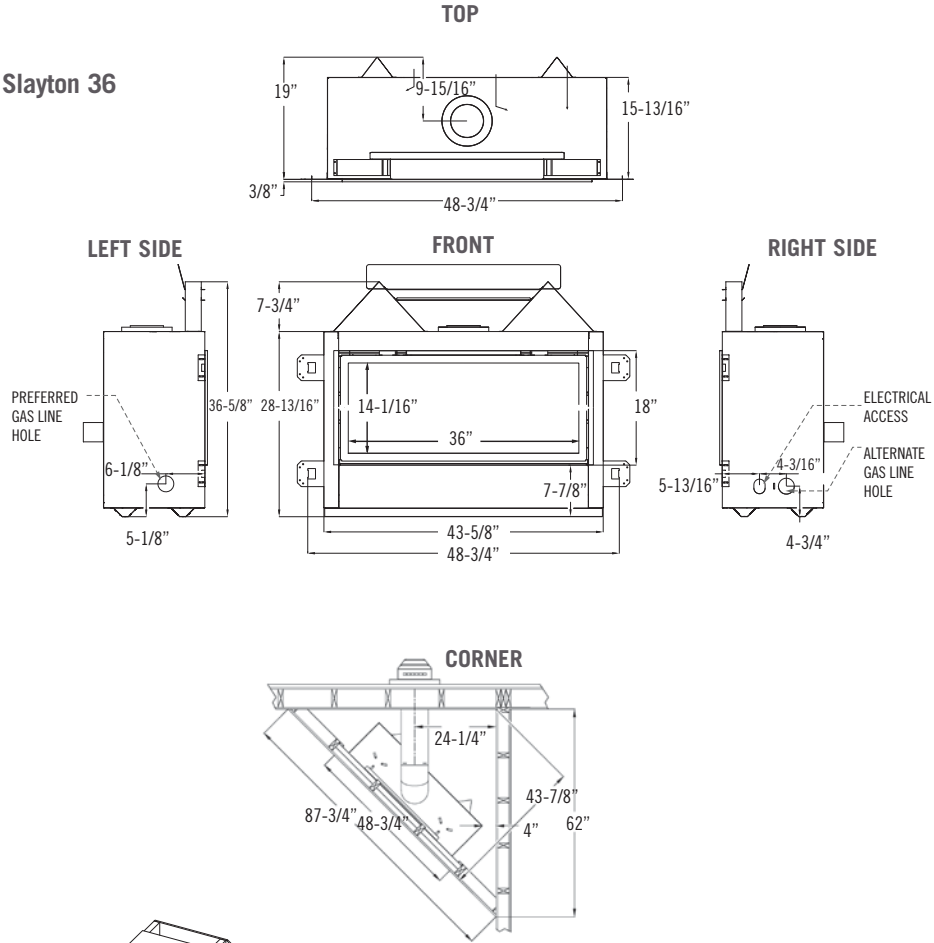
SLAYTON 36

Specifications, Clearances, and Vent System Requirements

| Model | Slayton 36 |
|-----------------------|-----------------|
| Height | 28-13/16" |
| Width | 43-5/8" |
| Back Width | 43-5/8" |
| Depth | 15-13/16" |
| Weight | 200 lbs. |
| Viewing Area | 14-1/16" x 36" |
| NG High / Low | 33,000 / 17,000 |
| LP High / Low | 33,000 / 17,000 |
| ENERGUIDE P.4 NG / LP | 66.05% / 68.05% |
| Steady State NG / LP | 71.21% / 73.05% |
| AFUE % NG / LP | 65.74% / 66.84% |
| Valve System | IPI |
| Split Flow Burner | N/A |
| Standard Refractory | Enamel (curved) |
| Glass Media | Required |
| Accent Media | Optional |
| Fan Kit | Optional |
| Finishing Trim Kit | Standard |
| Screen Front | Required |

Features, Options & Specifications are subject to change.

Slayton 36



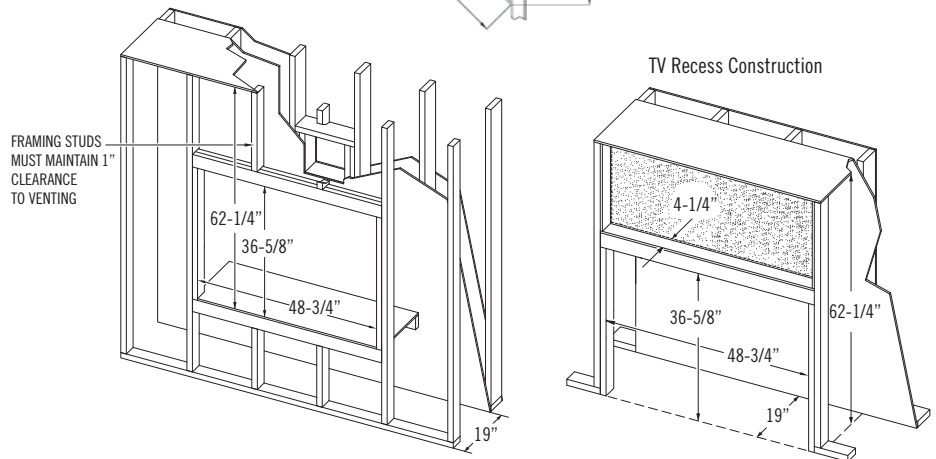
Clearances

| Model | Slayton 36 |
|--|--------------------------------|
| From Appliance Corners | 4" |
| From unit left & right side stand-offs & back | 0" |
| Top of finishing edge to ceiling | 36" |
| Side of finishing edge to adjacent sidewall | 6" |
| Unit front to combustibles | 36" |
| Mantel projection from fireplace finishing edge* | 14-1/4" *1" deep projection |

Refer to the installation manuals for complete installation & venting requirements. See additional mantel clearance configurations in the installation manual.

Each unit factory tested

Certified to ANSI Z21.88 Vented Gas Heaters



19" (483mm)* is the minimum wall depth required for wall surface material to cover fireplace front. If fireplace face is to be flush with the wall surface, subtract 1/2" (13mm) (typical non-combustible finish material) from this dimension. If other material is to be used, adjust accordingly.

Vent System & Requirements

This fireplace is manufactured to accept 5"x 8" rigid and flexible pipe.

- Simpson Dura-Vent™ DV-PRO pipe - 5"x 8"
- Selkirk Metalbestos™ direct chimney system - 5"x 8"
- Ameri-Vent/American Metal™ direct chimney system - 5"x 8"
- Olympia Chimney Supply
- Metal Fab™ 5"x 8"
- ICC™ 5"x 8"
- Kozy Heat™ flexible #800 series vent kits* - 5"x 8"
- BDM™ direct vent chimney system - 5"x 8"

IMPORTANT: The horizontal heat shield included with this fireplace must be installed when incorporating minimum horizontal venting.

Elbows: For each additional 90° elbow used after the first elbow, 3' must be subtracted from the maximum venting allowed. For each additional 45° elbow used after the first elbow, 1½' must be subtracted from the maximum venting allowed.

Note: (2) 45° elbows = (1) 90° elbow.

Maximum number of elbows for ALL vent configurations = 5

Horizontal Terminations: Venting configurations vary between NG & LP Gas, please consult the installation manual for requirements.

Vertical Terminations: Minimum: 2' Maximum: 50'

Horizontal/Vertical Combo: Venting configurations vary between NG & LP Gas, please consult the installation manual for requirements.

SLAYTON 42S

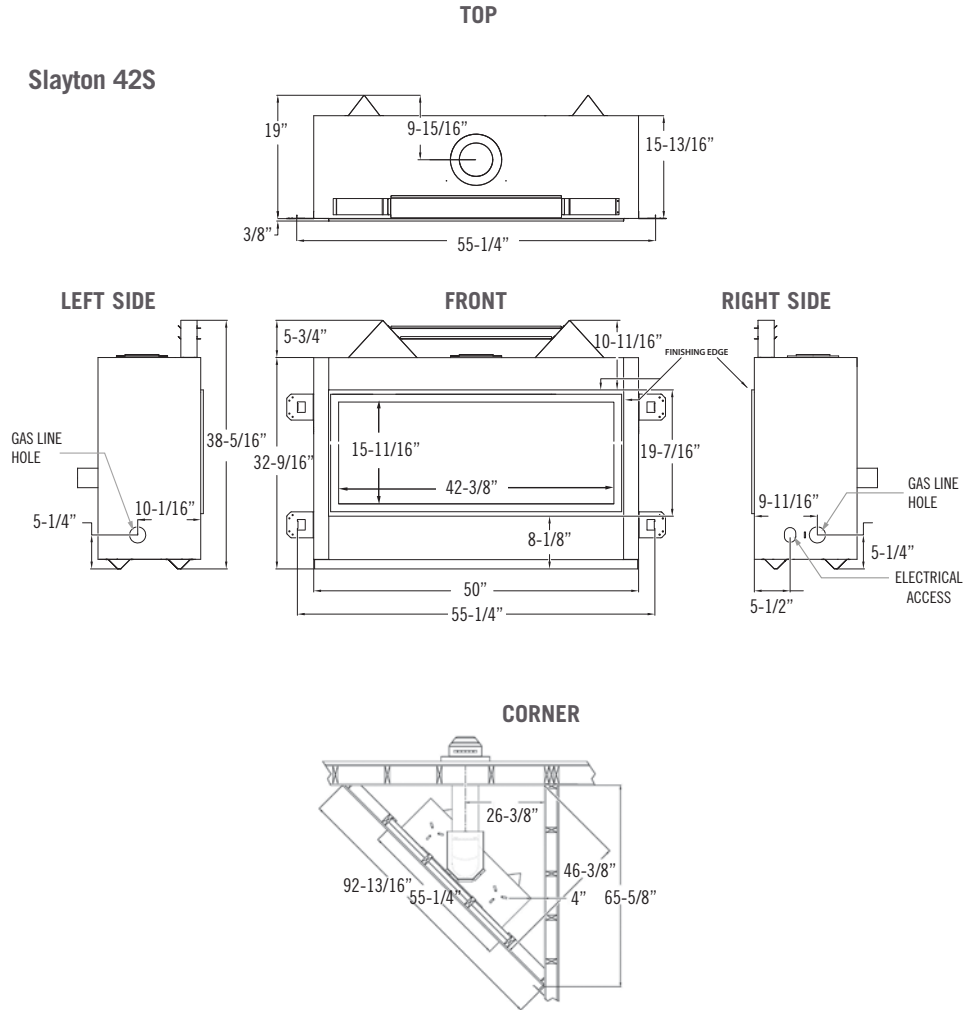
Specifications and Clearances

(See Vent System Requirements on page 6)

| Model | Slayton 42S |
|-----------------------|---------------------|
| Height | 32-9/16" |
| Width | 50" |
| Back Width | 50" |
| Depth | 15-13/16" |
| Weight | 220 lbs. |
| Viewing Area | 15-11/16" x 42-3/8" |
| NG High / Low | 42,000 / 15,000 |
| LP High / Low | 42,000 / 15,000 |
| ENERGUIDE P.4 NG / LP | 72.21% / 75.53% |
| Steady State NG / LP | 72.98% / 75.45% |
| AFUE % NG / LP | 68.05% / 70.39% |
| Valve System | IPI |
| Split Flow Burner | Standard |
| Standard Refractory | Enamel (curved) |
| Glass Media | Required |
| Accent Media | Optional |
| Fan Kit | Optional |
| Finishing Trim Kit | Standard |
| Screen Front | Required |

Features, Options & Specifications are subject to change.

Slayton 42S



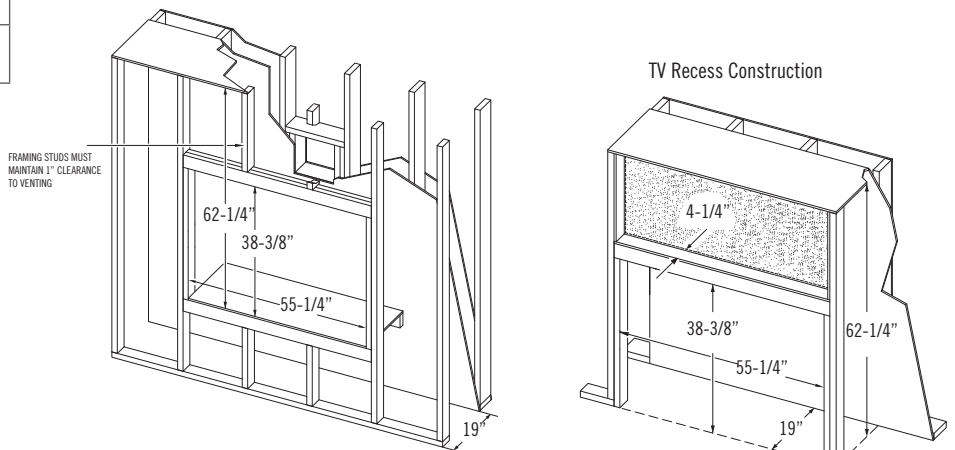
Clearances

| Model | Slayton 42S |
|--|--------------------------------|
| From Appliance Corners | 4" |
| From unit left & right side stand-offs & back | 0" |
| Top of finishing edge to ceiling | 36" |
| Side of finishing edge to adjacent sidewall | 6" |
| Unit front to combustibles | 36" |
| Mantel projection from fireplace finishing edge* | 14-1/4" *9" deep projection |

Refer to the installation manuals for complete installation & venting requirements. See additional mantel clearance configurations in the installation manual.

Each unit factory tested

Certified to ANSI Z21.88 Vented Gas Heaters



19" (483mm)* is the minimum wall depth required for wall surface material to cover fireplace front. If fireplace face is to be flush with the wall surface, subtract 1/2" (13mm) (typical non-combustible finish material) from this dimension. If other material is to be used, adjust accordingly.

SLAYTON 60

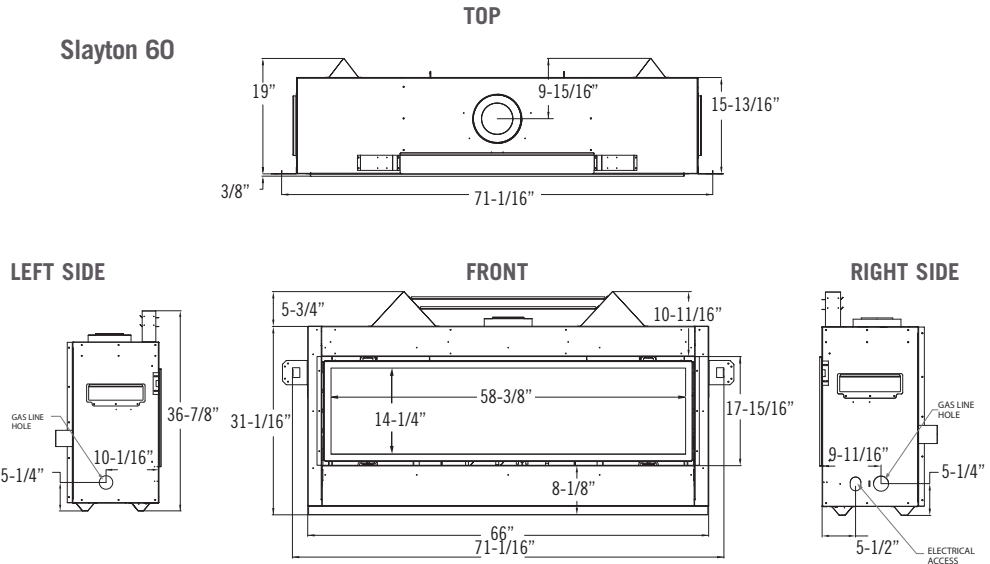
Specifications, Clearances

(See Vent System Requirements on page 6)

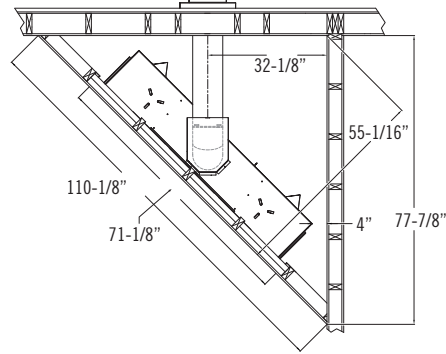
| Model | Slayton 60 |
|-----------------------|-------------------|
| Height | 31-1/16" |
| Width | 66" |
| Back Width | 66" |
| Depth | 15-13/16" |
| Weight | 300 lbs. |
| Viewing Area | 14-1/4" x 58-3/8" |
| NG High / Low | 55,000 / 17,500 |
| LP High / Low | 55,000 / 17,500 |
| ENERGUIDE P.4 NG / LP | 73.31% / 75.28% |
| Steady State NG / LP | 68.6% / 70.5% |
| AFUE % NG / LP | 66.44% / 68.27% |
| Valve System | IPI |
| Split Flow Burner | Standard |
| Standard Refractory | Enamel (curved) |
| Glass Media | Required |
| Accent Media | Optional |
| Fan Kit | Optional |
| Finishing Trim Kit | Standard |
| Screen Front | Required |

Features, Options & Specifications are subject to change.

Slayton 60



CORNER



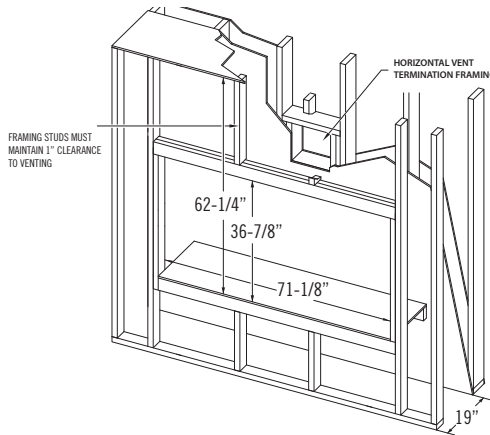
Clearances

| Model | Slayton 60 |
|--|-----------------------------|
| From Appliance Corners | 4" |
| From unit left & right side stand-offs & back | 0" |
| Top of finishing edge to ceiling | 36" |
| Side of finishing edge to adjacent sidewall | 6" |
| Unit front to combustibles | 36" |
| Mantel projection from fireplace finishing edge* | 14-1/4" *9" deep projection |

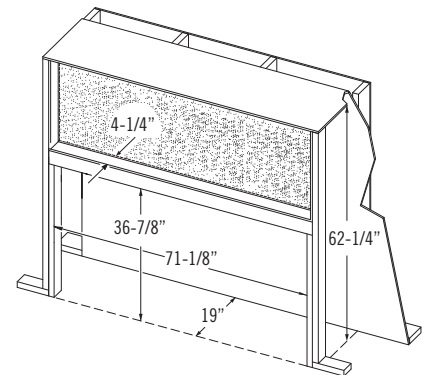
Refer to the installation manuals for complete installation & venting requirements. See additional mantel clearance configurations in the installation manual.

Each unit factory tested

Certified to ANSI Z21.88 Vented Gas Heaters



TV Recess Construction



19" (483mm)* is the minimum wall depth required for wall surface material to cover fireplace front. If fireplace face is to be flush with the wall surface, subtract 1/2" (13mm) (typical non-combustible finish material) from this dimension. If other material is to be used, adjust accordingly.

Fireplace brochures are for advertising purposes only. Refer to the specific fireplace manual for installation.

In order to continually provide the highest quality product available, features/options, specifications & dimensions are subject to change. Refer to the unit installation manual for complete installation instructions. Installation must conform with local building codes. **In some regions it may be possible that this appliance qualifies for an energy rebate. See your local dealer for details regarding promotions and qualifications.**

Manufactured by Husson Mfg. Co., Inc.
 204 Industrial Park Road, Lakefield, MN 56150
 Phone 1-800-253-4904 www.kozyheat.com

10-20



Product Line:



For complete information on the Kozy Heat product line, please contact us at:

FOR CALIFORNIA RESIDENTS ONLY

⚠ California Proposition 65 Warning

WARNING: This product can expose you to chemicals including Carbon Monoxide, that is an externally vented by-product of fuel combustion, which is (are) known to the State of California to cause birth defects or other reproductive harm. For more information, visit www.P65Warnings.ca.gov.