

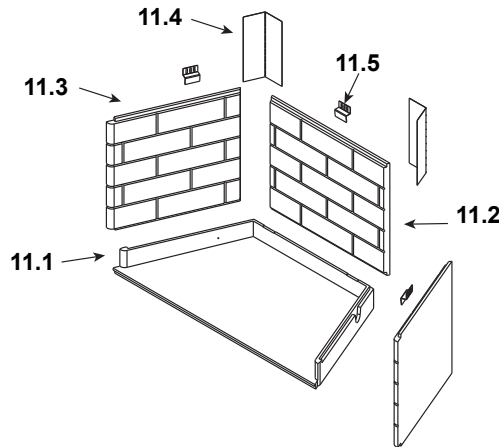
IMPORTANT: THIS IS DATED INFORMATION. Parts must be ordered from a dealer or distributor. **Hearth and Home Technologies does not sell directly to consumers.** Provide model number and serial number when requesting service parts from your dealer or distributor.



Stocked at Depot

| ITEM | DESCRIPTION | COMMENTS | PART NUMBER | |
|------|--|-----------|--------------|---|
| 1 | Top Standoff | Qty 4 req | SRV4044-111 | |
| 2 | Non-combustible Lip, 36" | | SRV4072-254 | |
| 3 | Non-combustible Front | | SRV4072-174 | |
| 4 | Hood | | SRV4072-244 | |
| 5 | Upper Face | Overlay | SRV4072-188 | |
| 6 | Left & Right Column | Overlay | SRV4072-176 | |
| 7 | Lower Face | Overlay | SRV4072-178 | |
| 8 | Firescreen Rod | 1 piece | SRV4072-133 | |
| 9 | Firescreen Assembly | | SRV4072-019 | Y |
| 10 | Nailing Flange | Qty 4 req | SRV4044-161 | |
| | Conversion Kit,LP | | LPK-ODVILLAG | Y |
| | Installation Instructions and Owner's Manual | | 4072-204 | |

#11 Traditional Refractory



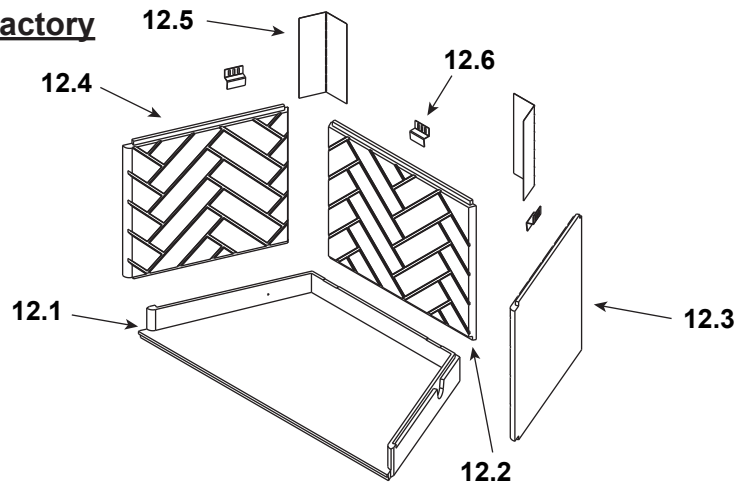
IMPORTANT: THIS IS DATED INFORMATION. Parts must be ordered from a dealer or distributor. **Hearth and Home Technologies does not sell directly to consumers.** Provide model number and serial number when requesting service parts from your dealer or distributor.



Stocked at Depot

| ITEM | DESCRIPTION | COMMENTS | PART NUMBER | |
|-------------------------------|--|-----------|-------------|--|
| Traditional Refractory | | | | |
| 11.1 | Hearth Refractory, 36.38" F x 17.88" D x 21.18 B | | SRV4072-158 | |
| 11.2 | Back Refractory, 17.25" H x 20.93" W | | SRV4072-102 | |
| 11.3 | Side Refractory, 17.25" H x 18.21" W | Qty 2 req | SRV4072-103 | |
| 11.4 | Corner Shield | Qty 2 req | SRV4072-145 | |
| 11.5 | Retainer | Qty 3 req | SRV4072-250 | |

#12 Herringbone Refractory



| Herringbone Refractory | | | | |
|-------------------------------|--|-----------|-------------|--|
| ITEM | DESCRIPTION | COMMENTS | PART NUMBER | |
| 12.1 | Hearth Refractory, 36.38" F x 17.88" D x 21.18 B | | SRV4072-158 | |
| 12.2 | Back Refractory, 17.25" H x 20.93" W | | SRV4072-106 | |
| 12.3 | Side Refractory, Right, 17.25" H x 18.21" W | | SRV4072-108 | |
| 12.4 | Side Refractory, Left, 17.25" H x 18.21" W | | SRV4072-109 | |
| 12.5 | Corner Shield | Qty 2 req | SRV4072-145 | |
| 12.6 | Retainer | Qty 3 req | SRV4072-250 | |

