

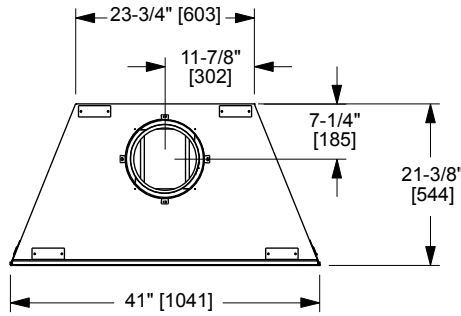


Please consult the manufacturer's installation manual for all details and requirements before making a final design layout decision.

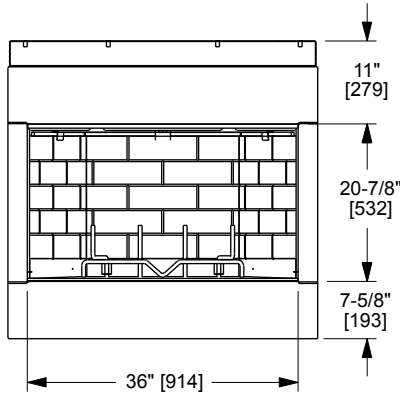
Villawood 36

Outdoor Wood Fireplace

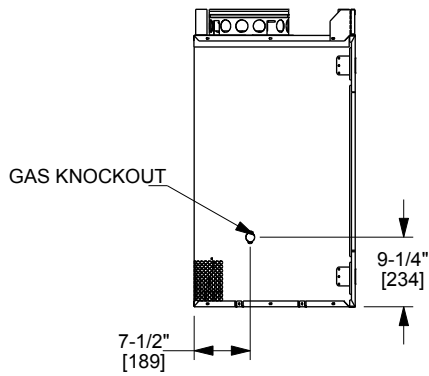
MODEL	FRONT WIDTH		BACK WIDTH		HEIGHT		DEPTH		VIEWING AREA
	Actual	Framing	Actual	Framing	Actual	Framing	Actual	Framing	
ODVILLA-36T-B ODVILLA-36H-B	41	42	23-3/4	42	39-1/2	39-3/4	21-3/8	21-1/2	36 x 20-7/8



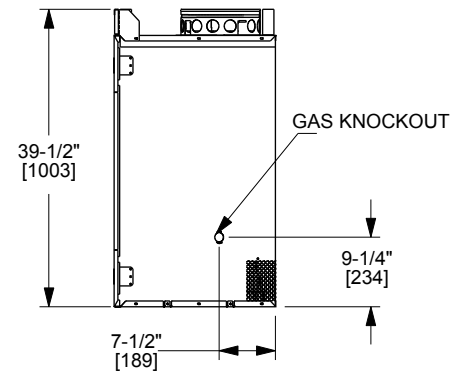
Top View



Front View

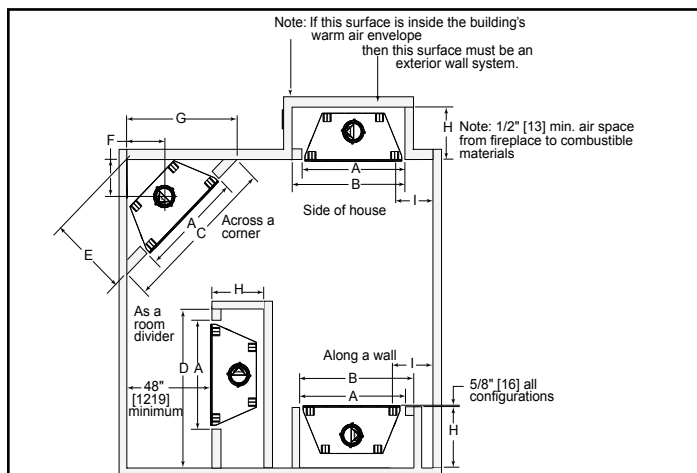


Left View



Right View

APPLIANCE LOCATION

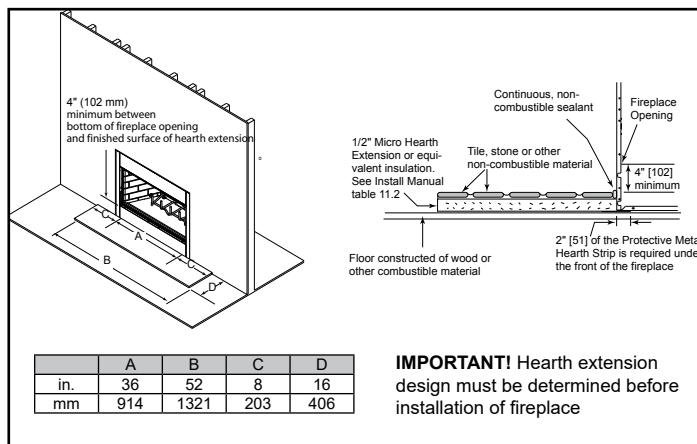


Note: Measurements are FRAMING dimensions only and do not include drywall either in the cavity or on the walls

	A	B	C	D	E	F	G	H	I
in.	42	50	67-7/8	59-1/2	34	14	48	21-1/2	*See Note
mm	1067	1270	1724	1511	864	356	1219	549	Note

* I = 12" [305] minimum from fireplace opening to any perpendicular wall

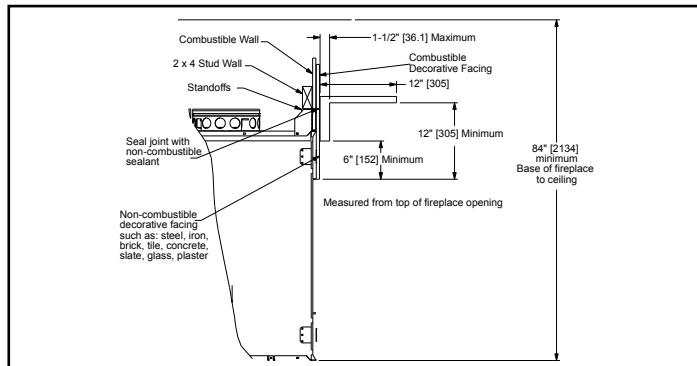
HEARTH EXTENSION



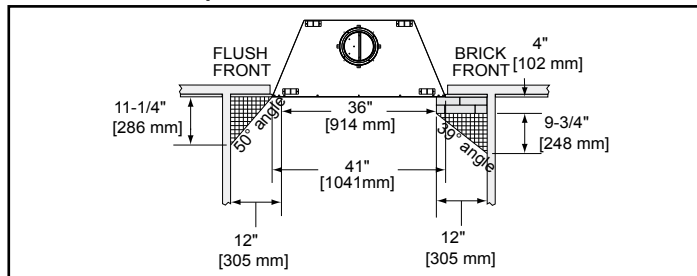
	A	B	C	D
in.	36	52	8	16
mm	914	1321	203	406

IMPORTANT! Hearth extension design must be determined before installation of fireplace

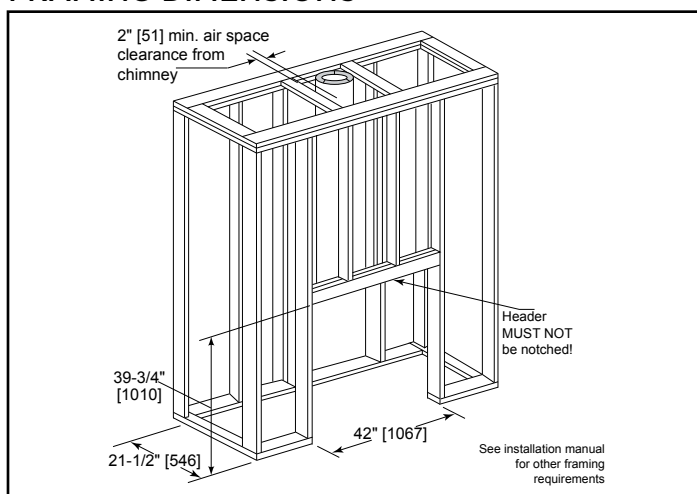
MANTEL PROJECTIONS



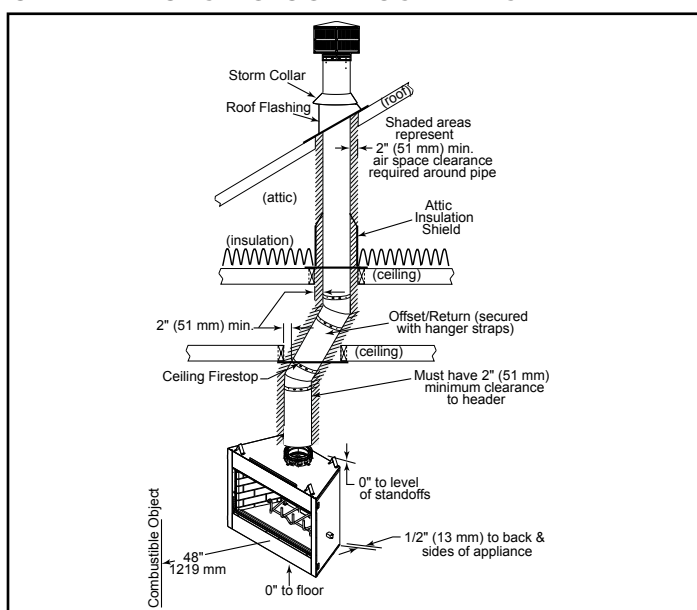
MANTEL LEG/WALL PROJECTIONS



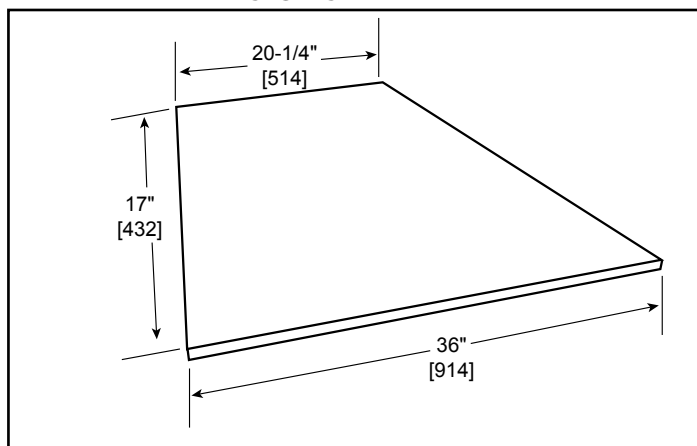
FRAMING DIMENSIONS



CLEARANCES TO COMBUSTIBLES



HEARTH DIMENSIONS



PRODUCT LISTING CODES	
	UL127

Product information provided is not complete and is subject to change without notice. Product installation must adhere strictly to instructions accompanying product to avoid risk of fire and potential injury.

Additional information can be found online at www.fireplaces.com