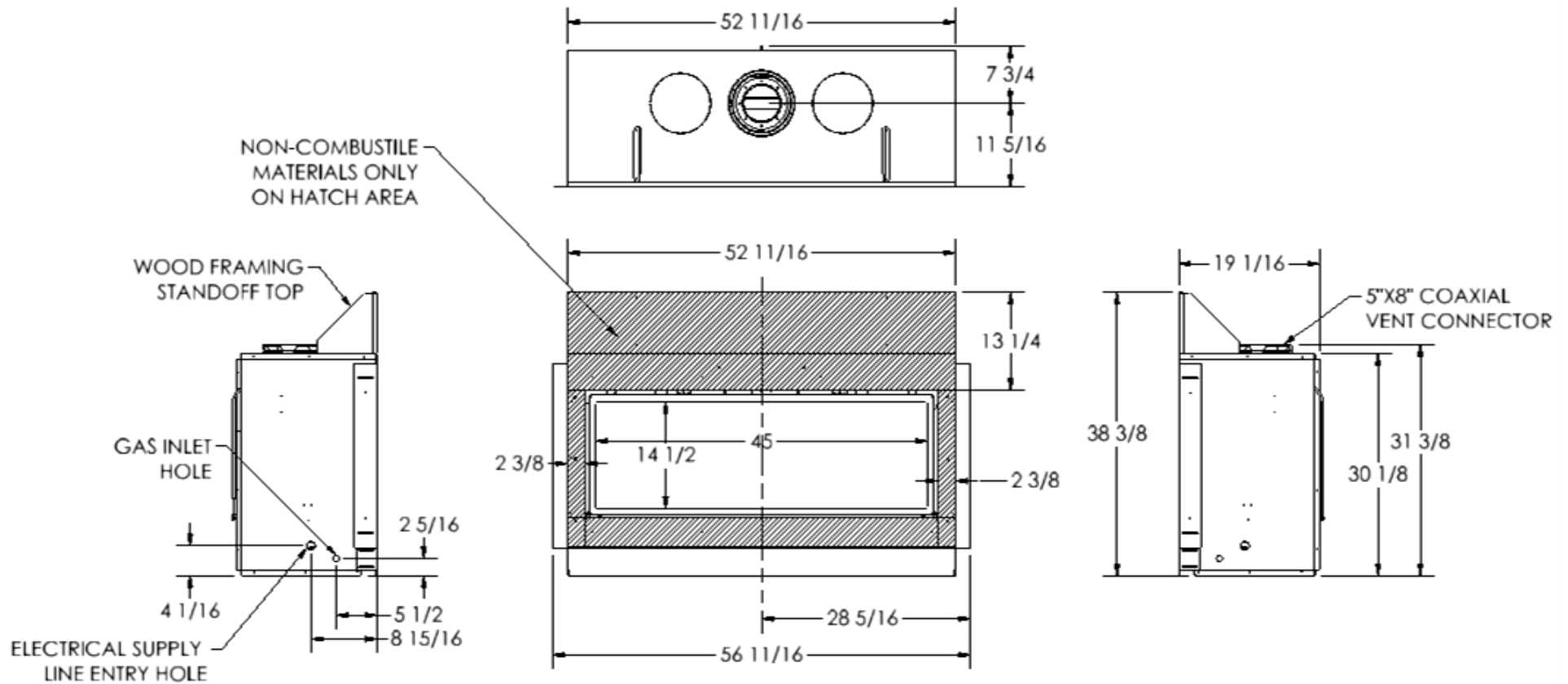
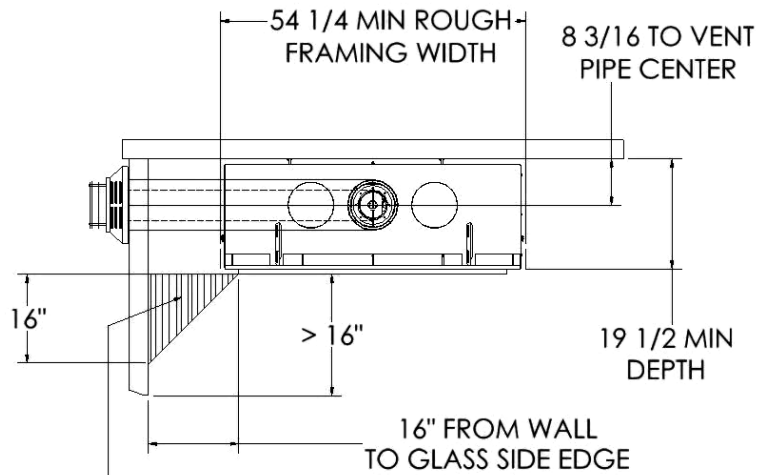


# ML47 FULLVIEW GAS FIREPLACE, DIRECT VENT

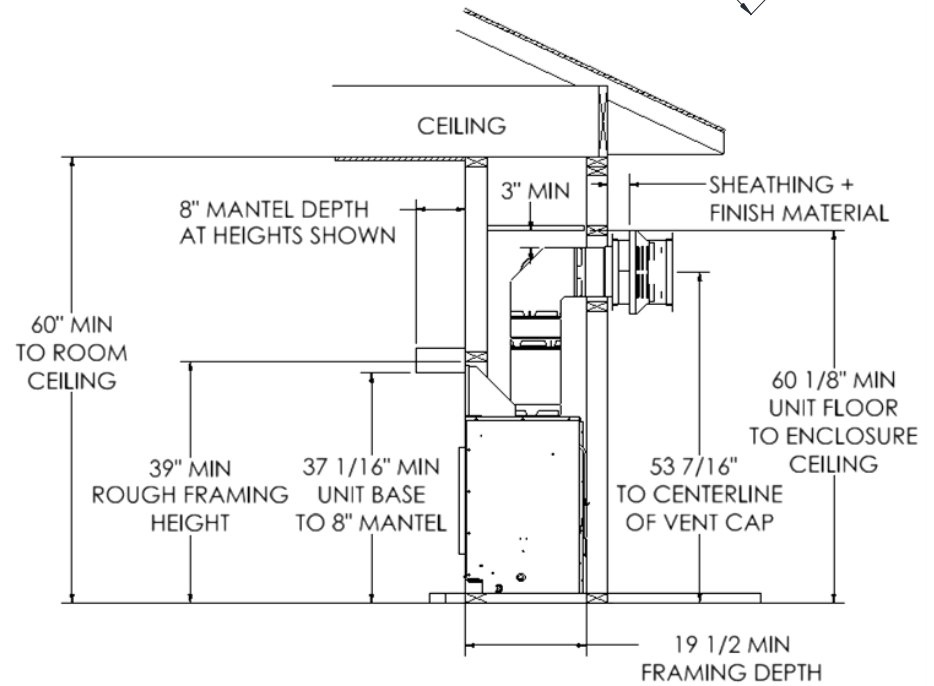
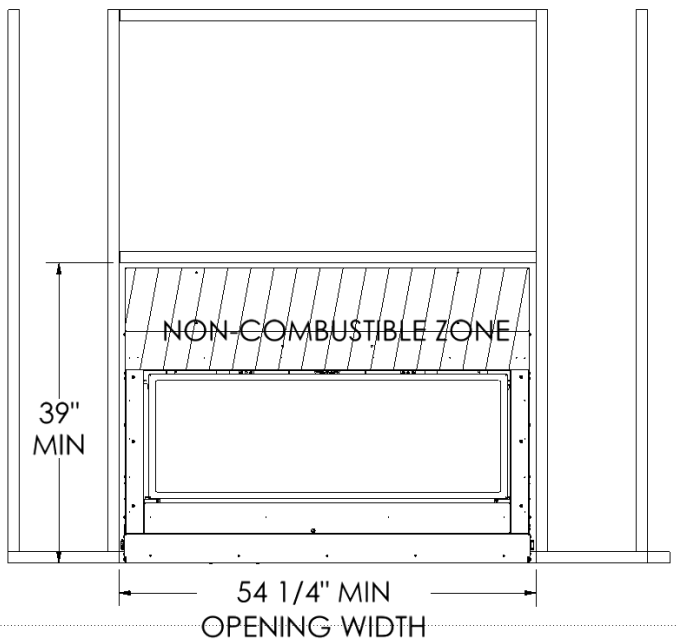
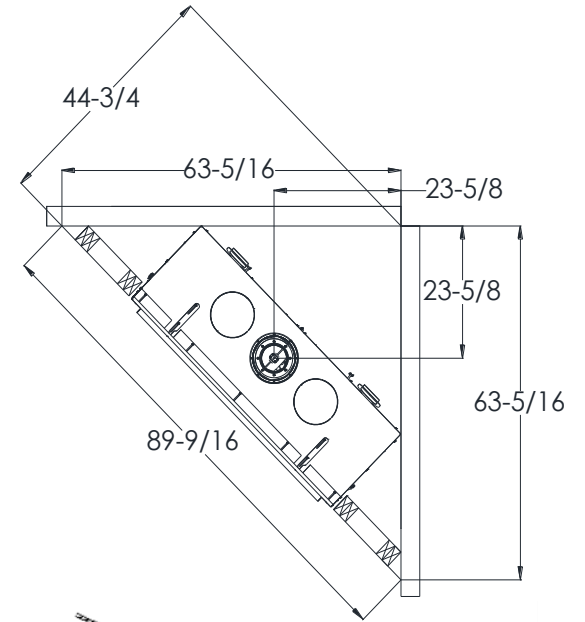
## GENERAL SPECIFICATIONS

AA-11-02592





PROJECTIONS WITHIN HATCHED AREAS ARE DEEMED SAFE!



MINIMUM ROUGH FRAMING DIMENSIONS		
WIDTH (IN)	HEIGHT(IN)	DEPTH (IN)
54-1/4	39"	19-1/2