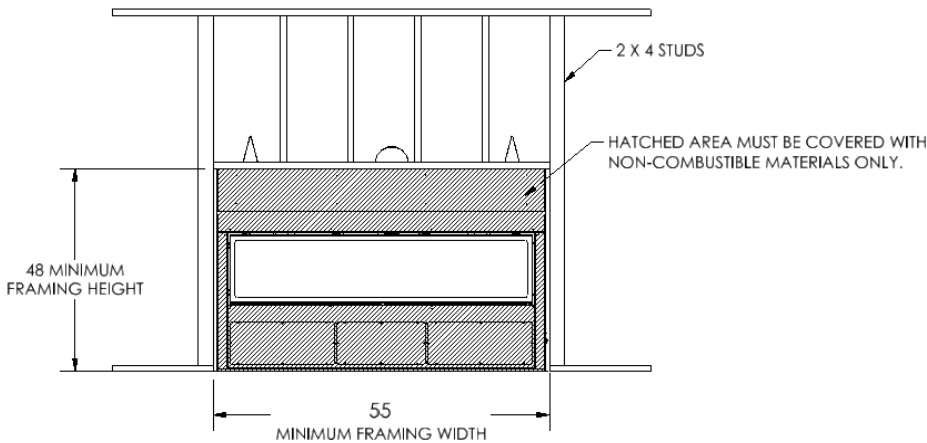
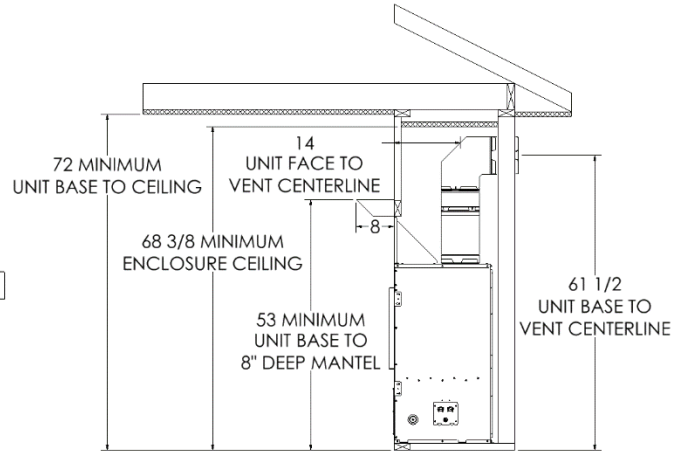
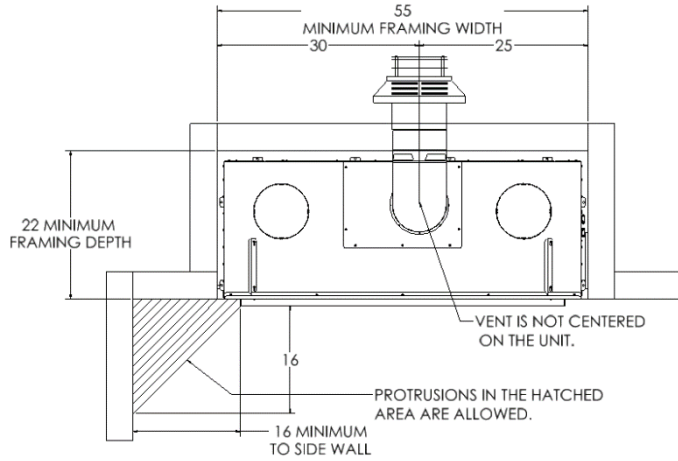


FULLVIEW DECOR LINEAR ML47 SPECIFICATIONS

AA-11-04050

WARNING: VENT IS NOT CENTERED ON THE UNIT!



MINIMUM REQUIRED DIMENSIONS (DIMENSIONS ARE IN INCHES)	
FRAMING WIDTH	55
FRAMING DEPTH	22
FRAMING HEIGHT	48
ENCLOSURE CEILING HEIGHT	68 3/8
FINISHING MATERIAL THICKNESS	1
UNIT BASE TO ROOM CEILING	72
UNIT BASE TO SIDE WALL	16
UNIT BASE TO 8" MANTEL	53

