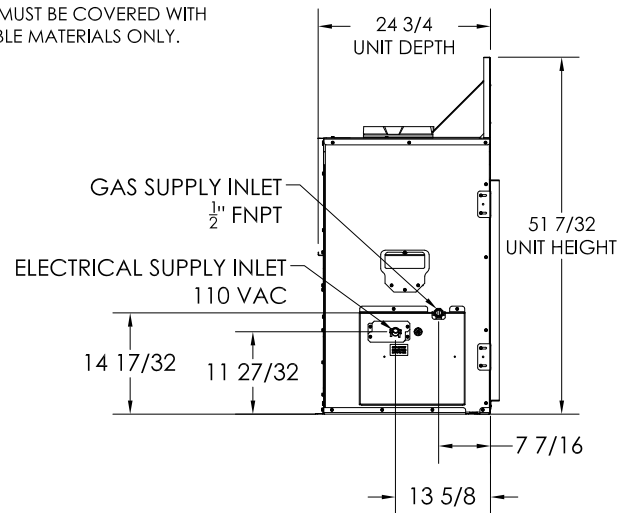
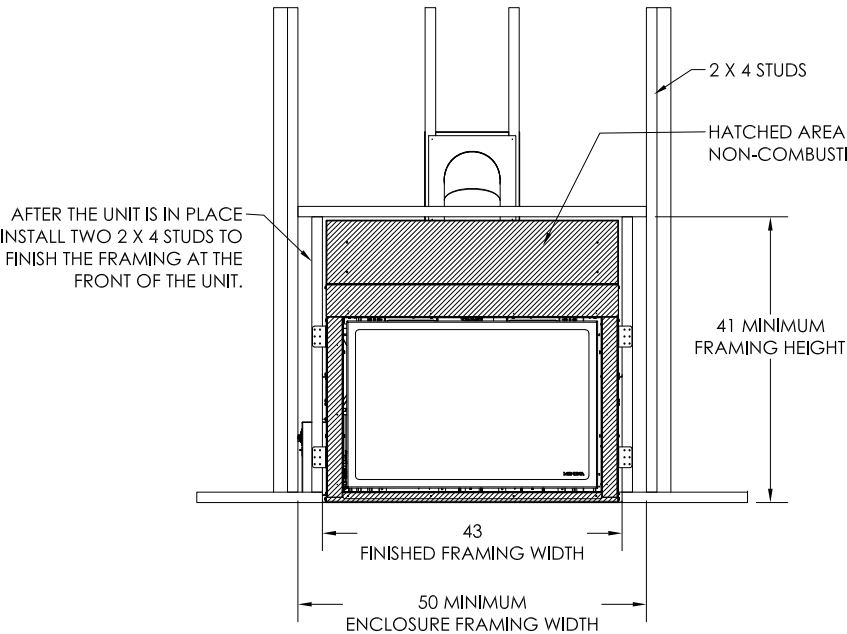
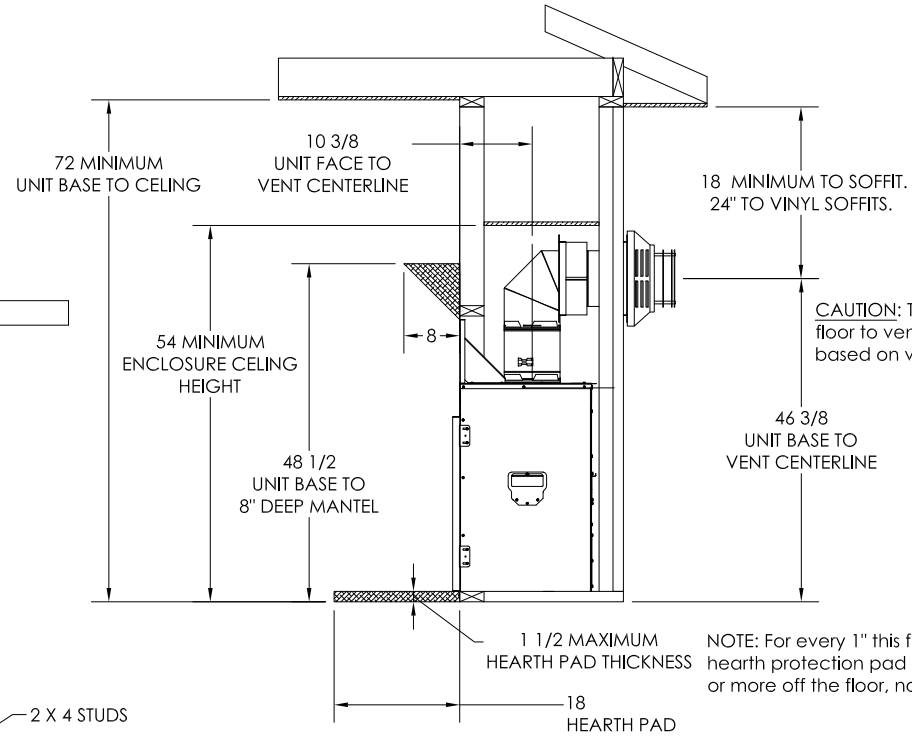
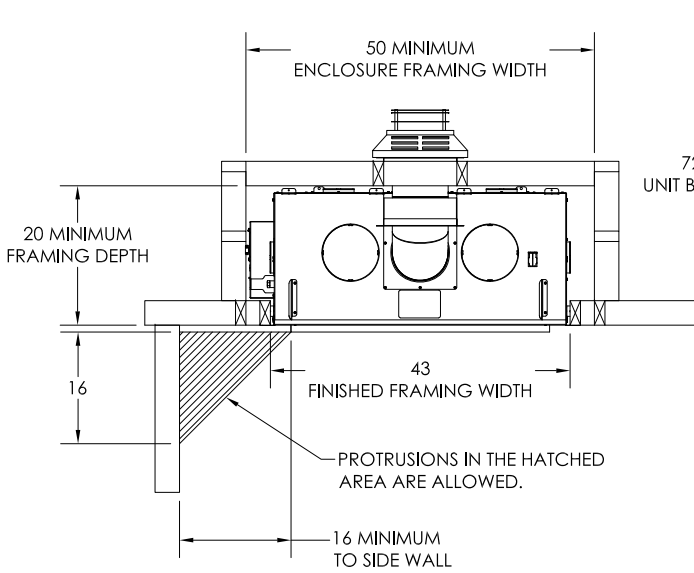


# FV36 FULLVIEW AND DECOR/TIMBERLINE SPECIFICATIONS



| MINIMUM REQUIRED DIMENSIONS  |         |
|------------------------------|---------|
| ENCLOSURE FRAMING WIDTH      | 50"     |
| FINISHED FRAMING WIDTH       | 43"     |
| FRAMING HEIGHT               | 41"     |
| FRAMING DEPTH                | 20"     |
| FINISHING MATERIAL THICKNESS | 1"      |
| UNIT BASE TO ROOM CEILING    | 72"     |
| TO SIDE WALL                 | 16"     |
| TO 8" MANTEL                 | 48 1/2" |