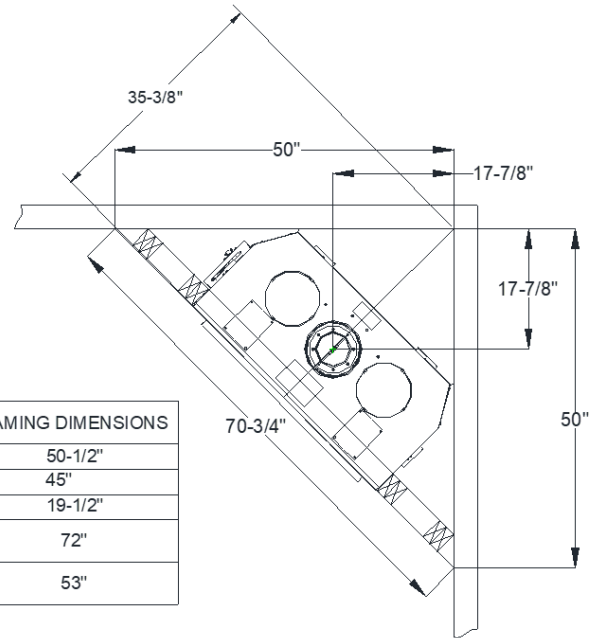
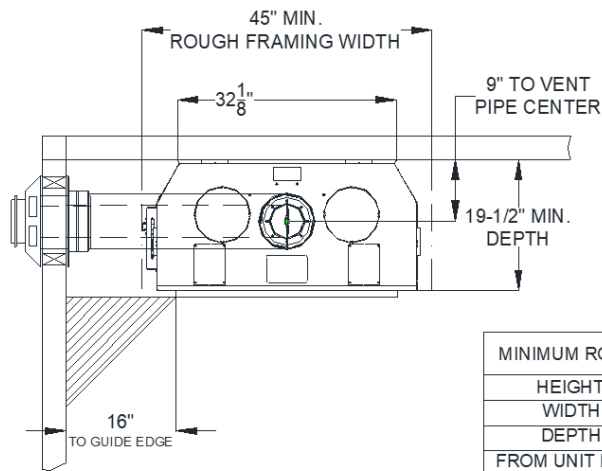


FV41-ARCH SPECIFICATIONS

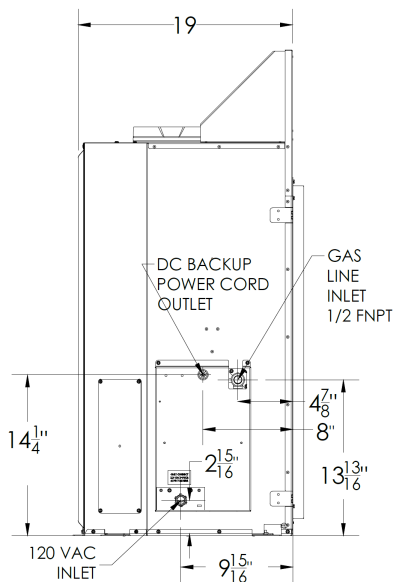
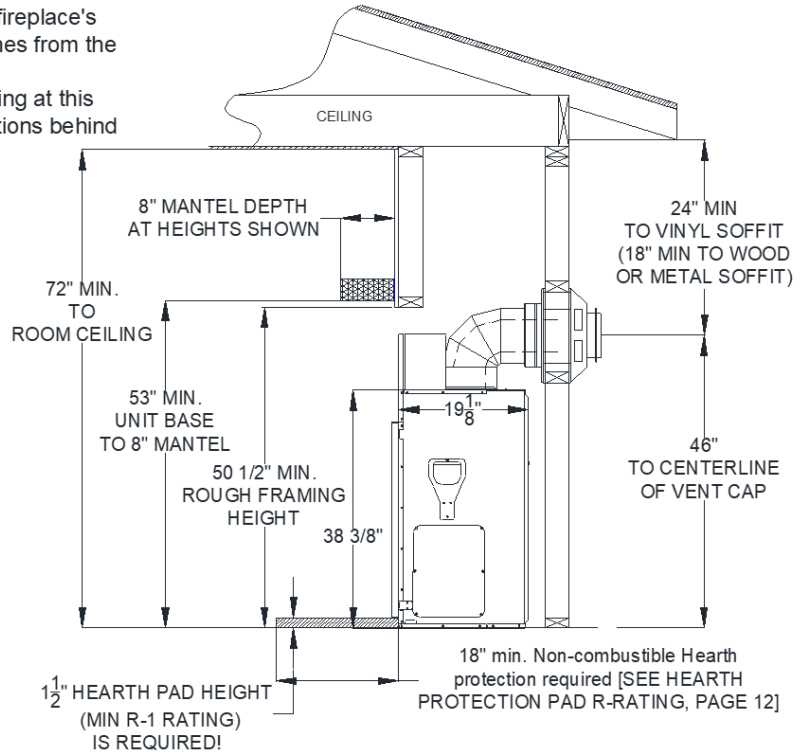
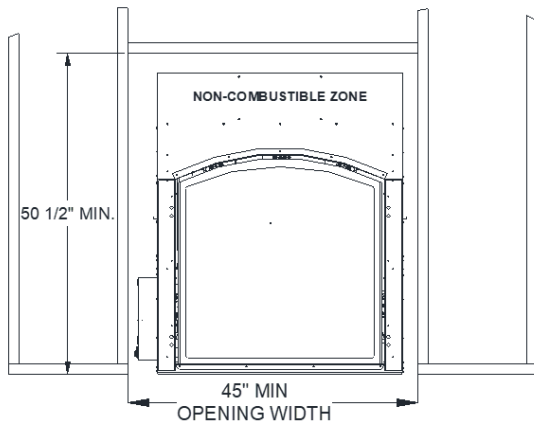


MINIMUM ROUGH FRAMING DIMENSIONS	
HEIGHT	50-1/2"
WIDTH	45"
DEPTH	19-1/2"
FROM UNIT BASE TO ROOM CEILING	72"
FROM UNIT BASE TO 8" MANTEL	53"

ADJACENT WALLS:

A wall perpendicular to and in front of this fireplace's glass door surface must be at least 16 inches from the side edges of the facing guide.

A wall at 45° to the glass surface and starting at this Fireplace's outer edge is permitted. Projections behind this wall (in shaded area) are permitted.



CAUTION: The distance from floor level to the centerline of the vent cap is given based on Simpson Duravent GS components. If using vent components of other brands do not assume that the measurement given here is applicable. Verify the distance to centerline of vencap by measuring the components you will be using.

NOTE: For every 1" this fireplace is raised off the floor, the non-combustible hearth protection pad may be reduced by 2". If this fireplace is raised off the floor more than 6", No hearth protection pad is required.