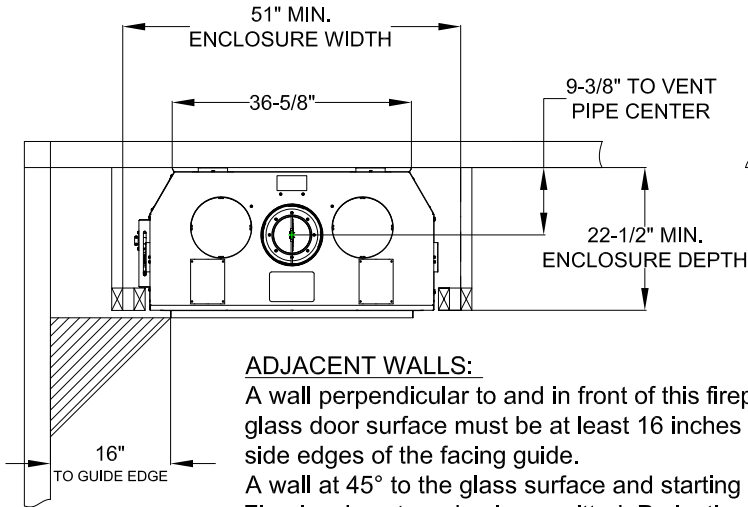
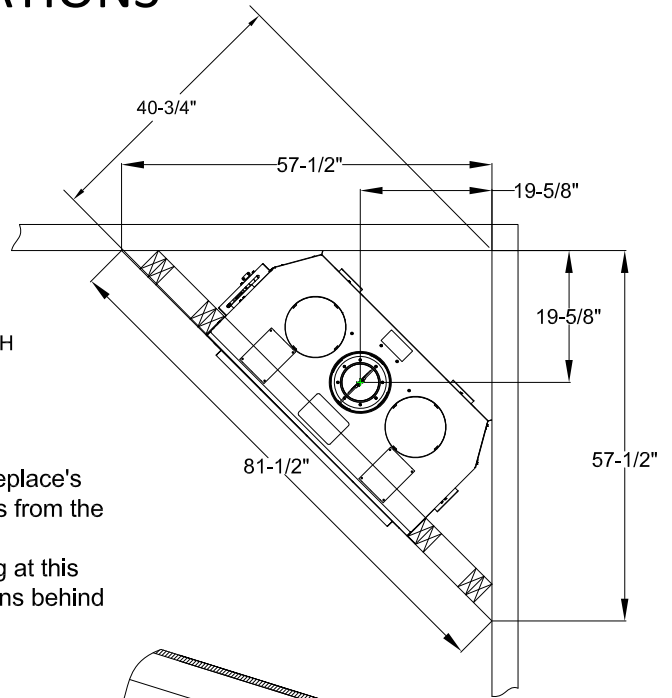


# FV46 SPECIFICATIONS

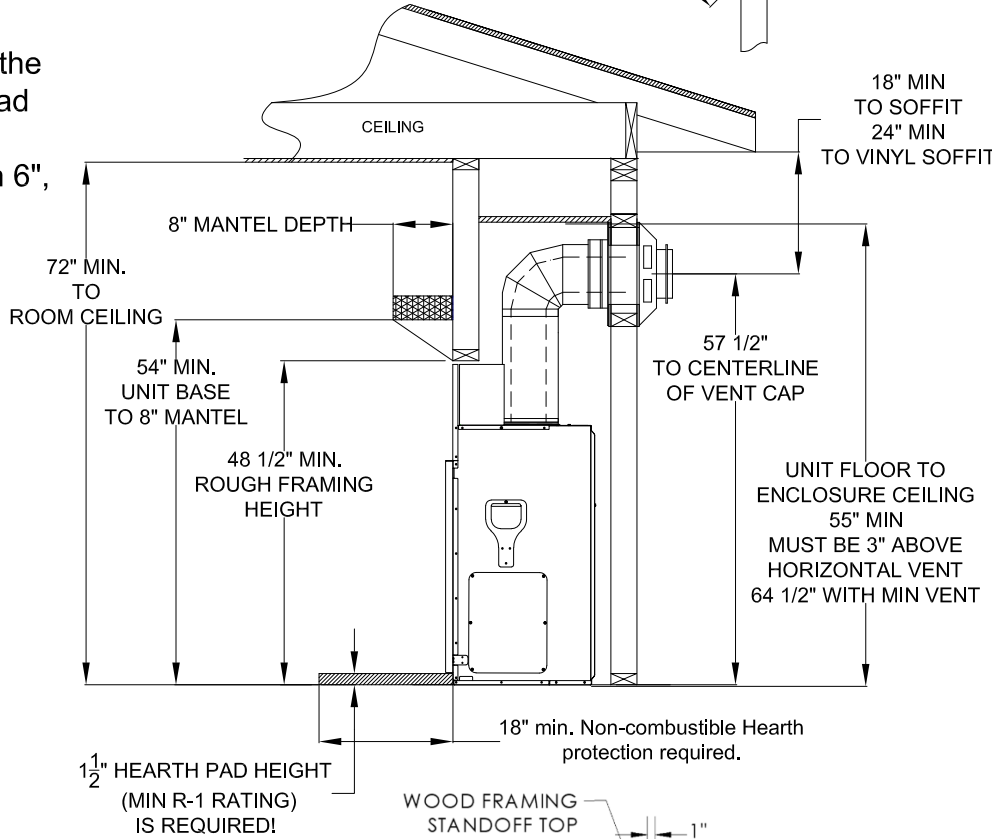
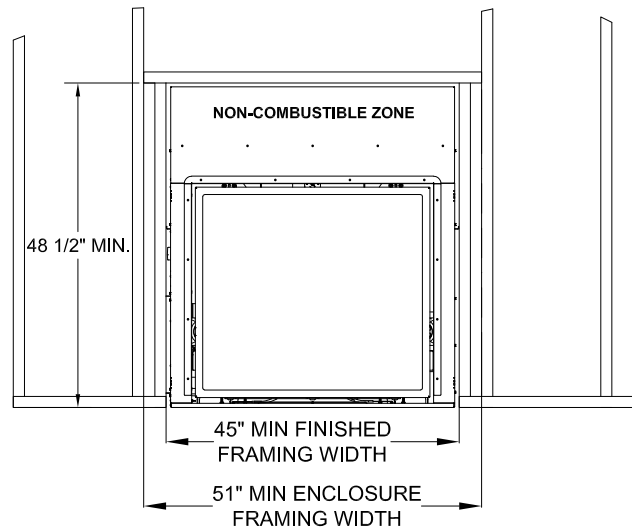


**ADJACENT WALLS:**

A wall perpendicular to and in front of this fireplace's glass door surface must be at least 16 inches from the side edges of the facing guide.  
 A wall at 45° to the glass surface and starting at this Fireplace's outer edge is permitted. Projections behind this wall (in shaded area) are permitted.



**NOTE:** For every 1" this fireplace is raised off the floor, the non-combustible hearth protection pad may be reduced by 2".  
 If this fireplace is raised off the floor more than 6", No hearth protection pad is required.



MINIMUM FRAMING DIMENSIONS	
HEIGHT	48 1/2"
ENCLOSURE WIDTH	51"
FINISHED FRAMING WIDTH	45"
DEPTH	22-1/2"
FROM UNIT BASE TO ROOM CEILING	72"
FROM UNIT BASE TO 8" MANTEL	54"
FROM UNIT BASE TO UNIT ENCLOSURE CEILING	55"

