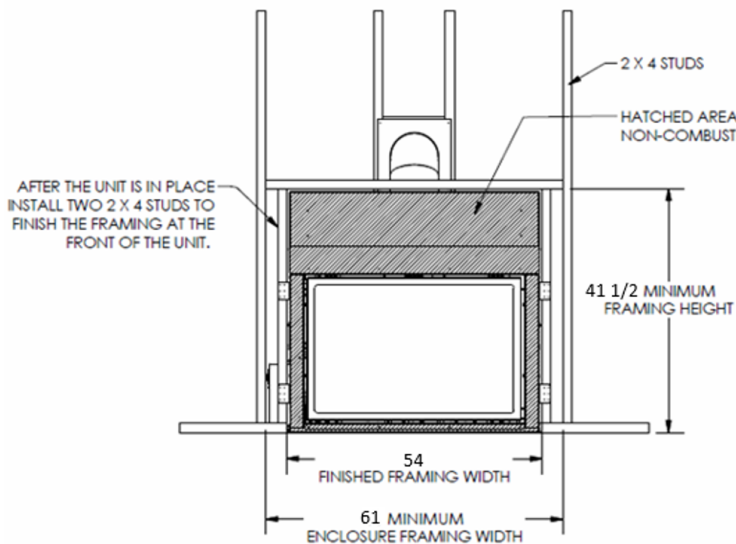
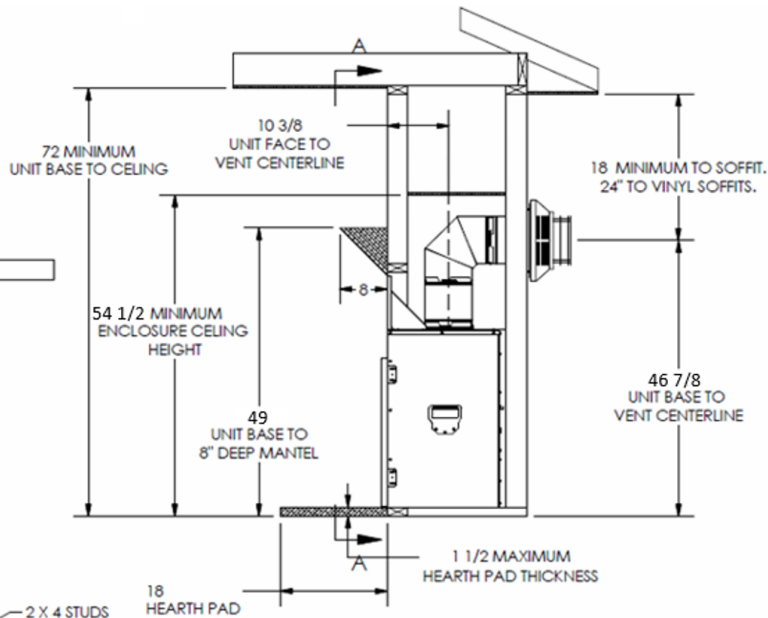
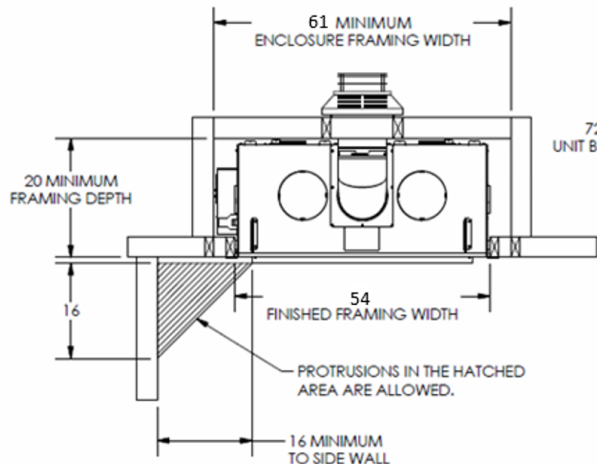
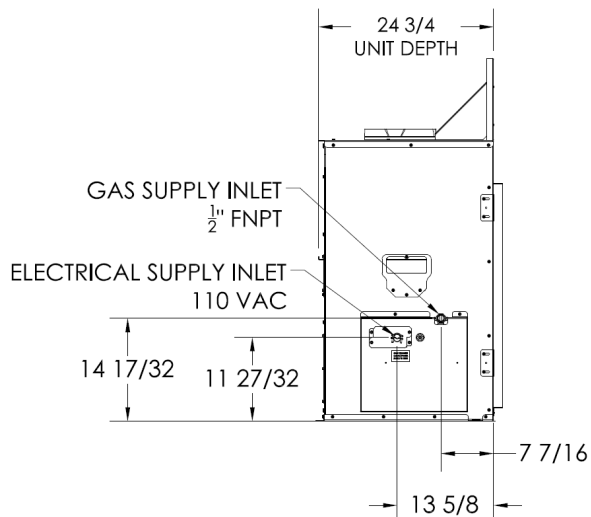


FV48 FULLVIEW SPECIFICATIONS



MINIMUM REQUIRED DIMENSIONS	
ENCLOSURE FRAMING WIDTH	61"
FINISHED FRAMING WIDTH	54"
FRAMING HEIGHT	41-1/2"
FRAMING DEPTH	20"
FINISHING MATERIAL THICKNESS	1"
UNIT BASE TO ROOM CEILING	72"
TO SIDE WALL	16"
FLOOR TO 8" MANTEL	49"



Caution: The distance from floor level to the centerline of the vent cap is based on Simpson DuraVent GS components. If using vent components of another brand, do not assume that the measurement given here is applicable. Verify the distance to the centerline of vent cap by measuring the components you are using.

Note: For every 1" this fireplace is raised off the floor, the non-combustible hearth protection pad may be reduced by 2". If this fireplace is raised more than 6" off the floor, no hearth protection pad is required.

Note: Consult the R-Value Table for reference