



**HDKPD36, HDKPD48, HDKPD63, HDKPD72
COOL WALL ADVANTAGE TV KIT
HDKSD, HDKSVD,
HEAT DISTRIBUTION SIDEWALL KIT**

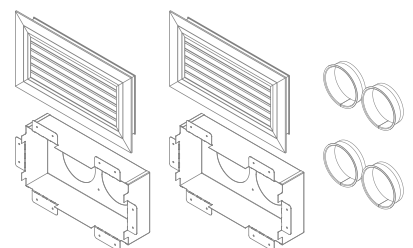
COMPATIBLE WITH:
DELRAY LINEAR, DELRAY SQUARE, DISTINCTION

- Refer to the chart below to determine the length of 5" diameter flex pipe required for completion of installation (12' or 24'). Flex pipe is available from Montigo as part # HDKPDFK and HDKPDFK-1.
- The installation of this fireplace must be done by a qualified and certified gas appliance installer.
- Check local codes and read all instructions prior to installation.
- See installation manual for clearances to combustibles materials
- Minimum clearance to flexible ducting is 1"

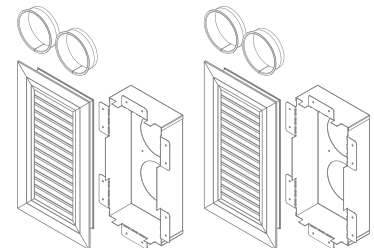
UNIT COMPATIBILITY

Cool wall system	D3615NI-2	D4815NI-2	D6315NI-2	D7215NI-2	DRL3613NI-*	DRL4813NI-*	DRSQ34NI-*	DRSQ38NI-*	DRSQ42NI-*	DRSQ46NI-*
HDKPD36	✓				✓		✓	✓	✓	✓
HDKPD48		✓				✓	✓	✓	✓	✓
HDKPD63			✓				✓	✓	✓	✓
HDKPD72				✓			✓	✓	✓	✓
HDKSD	✓	✓	✓	✓	✓	✓	✓	✓	✓	✓
HDKSVD	✓	✓	✓	✓	✓	✓	✓	✓	✓	✓
HDKPDFK-1	✓				✓		✓	✓	✓	✓
HDKPDFK		✓	✓	✓		✓			✓	✓

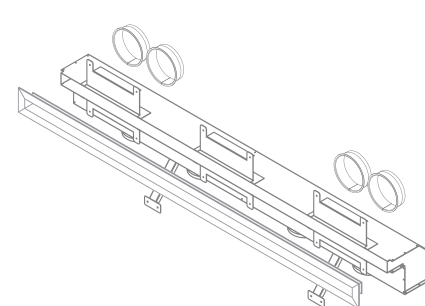
Cool Wall Advantage Side Discharge Kit horizontal
HDKSD
[Includes 2 louvers , 2 plenums, requires flex kit]



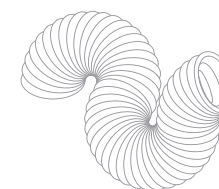
Cool Wall Advantage Side Discharge Kit vertical
HDKSVD
[Includes 2 louvers , 2 plenums, requires flex kit]



Cool Wall Advantage Kit
HDKPD**
[Includes louver , plenum, requires flex kit]



Cool Wall Flex Kit
HDKPDFK
HDKPDFK-1
[HDKPDFK-1 is 12' of 5" Diameter flex pipe, HDKPDFK is 24' of 5" Diameter flex pipe]



An alternate 5-inch diameter duct may be used with this kit providing it is metal and meet requirements of UL-181 Class 1 Air Duct. Flexible aluminium duct is acceptable provided it meets the UL-181 Class 1 requirements.

Dimensions

COOL WALL TV KIT DIMENSIONS

	A	B	C	D	E	F	G	H	I
36"	39 1/8"	38 7/8"	3"	1 1/2"	N/A	2"	9 5/16"	N/A	7 1/16"
48"	51 7/8"	50 7/8"	3"	1 1/2"	30 1/2"	2"	9 5/16"	21"	7 1/16"
63"	66 1/8"	65 1/8"	3"	1 1/2"	38 3/8"	2"	9 5/16"	21"	6 5/16"
72"	75 1/8"	74 1/8"	3"	1 1/2"	39 1/8"	2"	9 5/16"	21"	7 1/16"

NOTICE
Installer: Leave this manual with the appliance.
Consumer: Retain this manual for future reference.

WARNING
Some materials used in the manufacturing process of this product can expose you to Benzene which is known in the State of California to cause cancer and birth defects or other reproductive harm. For more information go to www.P65warnings.ca.gov

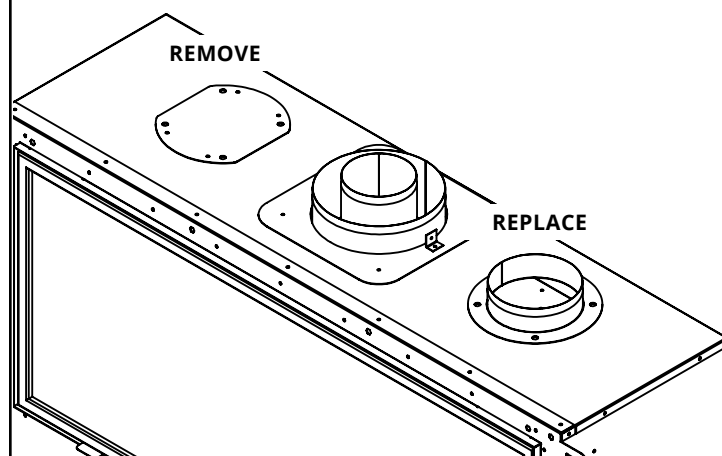
HDKSD PLENUM DIMENSIONS

GRSDH HORIZONTAL AND VERTICAL LOUVER DIMENSIONS



TV Kit Framing

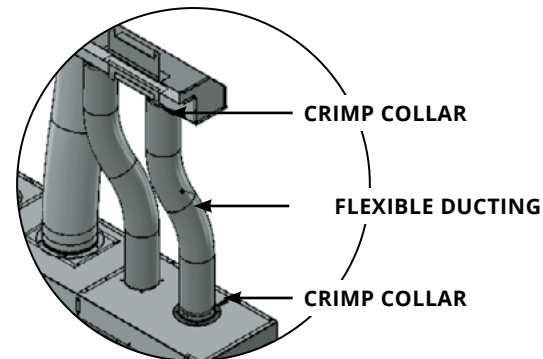
1 Unscrew Cap and replace with supplied Crimp Collars using the same hardware.



2 Secure Heat Distribution kit to Framing at Desired Height and use supplied crimp collars to secure ducting with tek screws.

If using Montigo Flex Pipe Kit please ensure that the pipe is fully extended before cutting to desired length. Montigo flex pipe can be stretched 50% (e.g. 6' pipe can be stretched to 9')

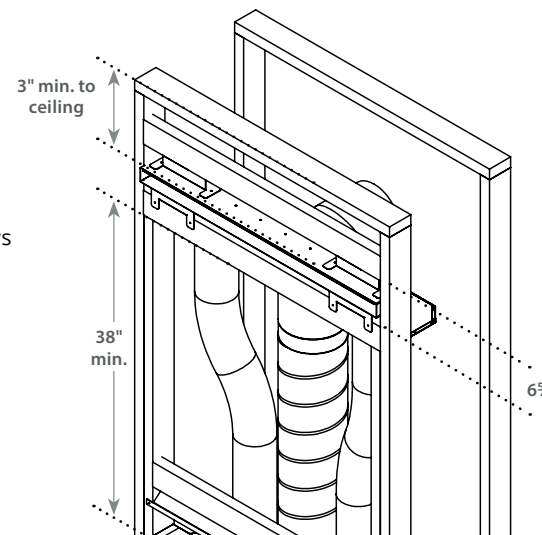
Maintain 1" Clearance to combustibles from flex pipe.



3 HDKPD FRAMING DIMENSIONS

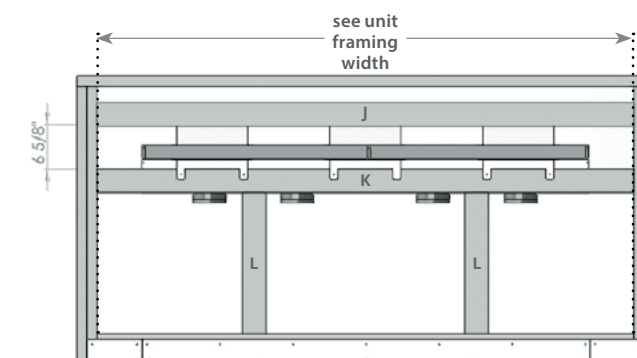
The opening should be a minimum of 38" from the top of the fireplace and a minimum of 3" from the ceiling.

Secure with 12 wood screws (not provided)



4 Install boards J and K first then secure the TV kit with the lower screws. Boards L will be cut to length depending on the height of the Heat Distribution Kit.

Then install the upper board J to secure the Heat Distribution Kit.



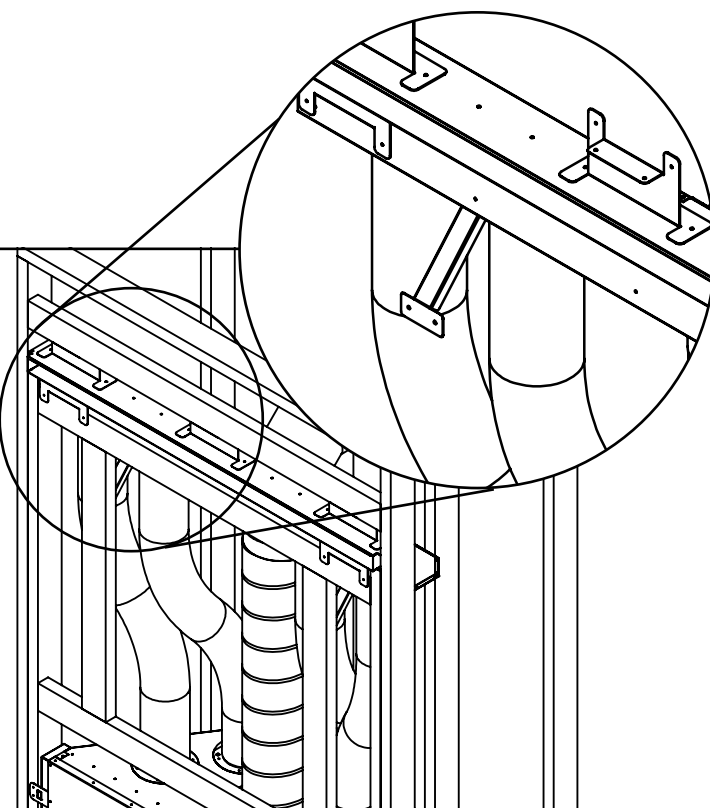
VENTING PORT COUNT

Fireplaces	D3615NI-2	D4815NI-2	D6315NI-2	D7215NI-2	DRL3613NI-*	DRL4813NI-*	DRSQ34NI-*	DRSQ38NI-*	DRSQ42NI-*	DRSQ46NI-*
2 venting ports	✓	✓	✓	✓	✓	✓	✓	✓	✓	✓
4 venting ports		✓	✓	✓	✓	✓	✓	✓	✓	✓

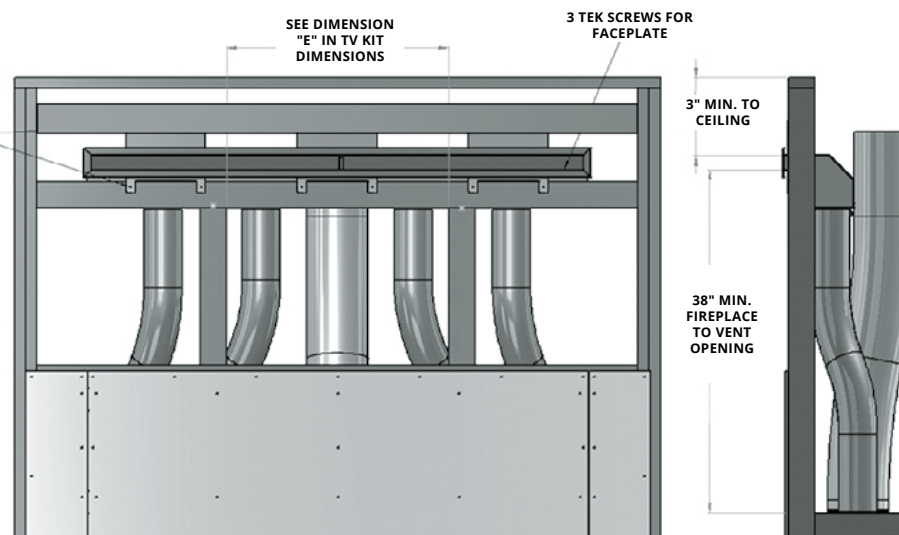
⚠ WARNING

All venting ports must be connected to a plenum.

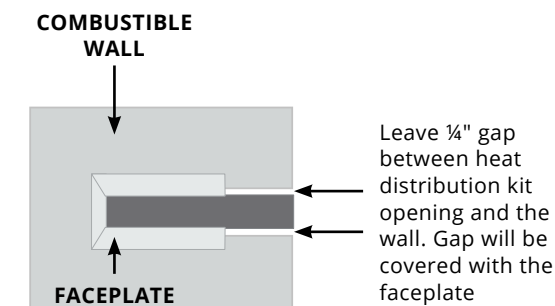
5 48" 63" and 72" TV kits have stabilizing feet that must be attached to the framing. Refer to the TV Kit dimensional chart for measurements



6 SEE DIMENSION "E" IN TV KIT DIMENSIONS



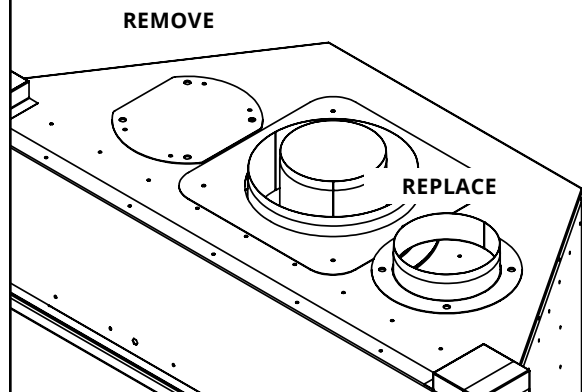
7 Faceplate can be painted with a high temperature paint to match room decor





Sidewall Kit Framing

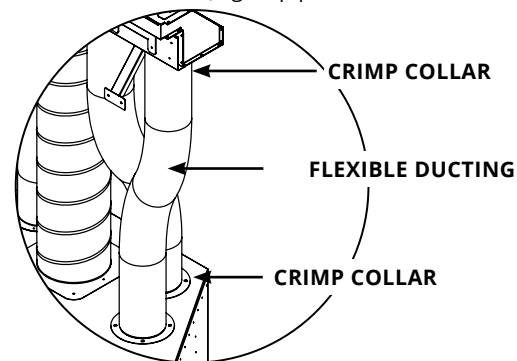
1 Unscrew Cap and replace with supplied Crimp Collars using the same hardware.



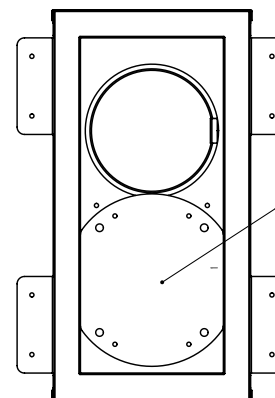
2 Secure Heat Distribution kit to Framing at Desired Height and use supplied crimp collars to secure ducting with tek screws.

If using Montigo Flex Pipe Kit please ensure that the pipe is fully extended before cutting to desired length. Montigo flex pipe can be stretched 50% (e.g. 6' pipe can be stretched to 9')

Maintain 1" Clearance to combustibles from flex pipe.

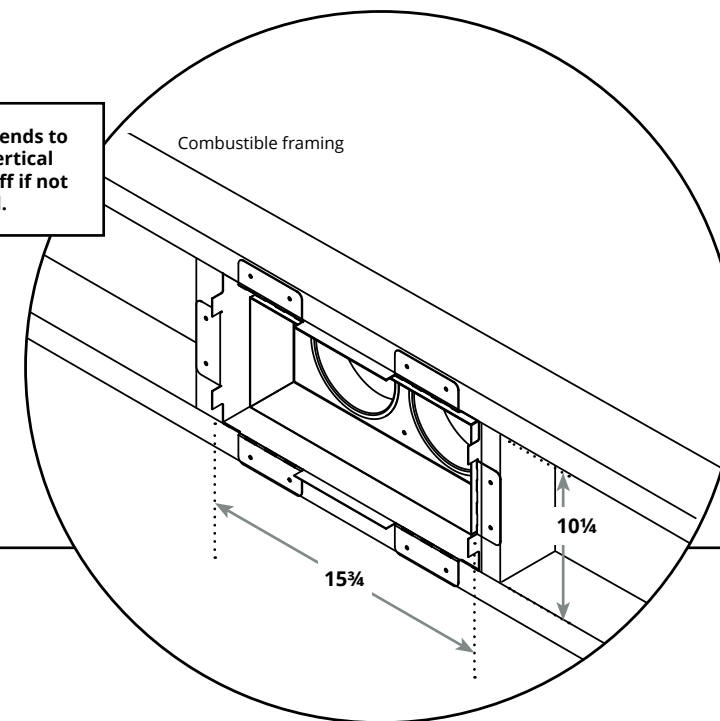


3 HDKSD FRAMING DIMENSIONS
Framing dimensions apply for both horizontal and vertical kits



Plenum has 6 tabs with finger bends to attach to either horizontal or vertical framing. Tabs can be snapped off if not needed for screwing to the stud.

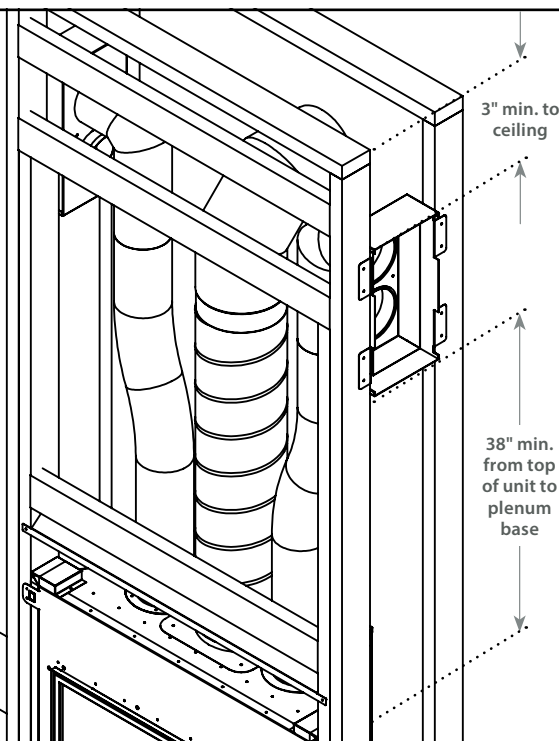
Caps from top of fireplace (Only for heat kit installs on units with only 2 venting ports) Attach with tek screws



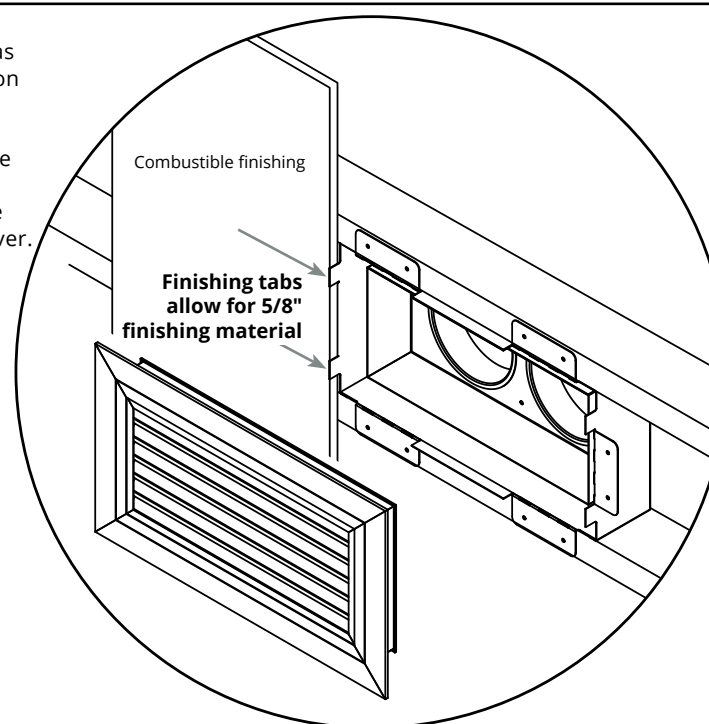
VENTING PORT COUNT

Fireplaces	D3615NI-2	D4815NI-2	D6315NI-2	D7215NI-2	DRL3613NI-*	DRL4813NI-*	DRSQ34NI-*	DRSQ38NI-*	DRSQ42NI-*	DRSQ46NI-*
2 venting ports	✓	✓	✓	✓	✓	✓	✓	✓	✓	✓
4 venting ports		✓	✓	✓	✓	✓	✓	✓	✓	✓

4 Attached plenums to framing with wood screws. Plenum tabs are bent based on vertical or horizontal orientation.



4 The plenum has tabs as an aid in the installation of a finishing material. It is important not to encroach beyond these tabs with a finishing as this will prevent the attachment of the louver.



In order to ventilate a chase without the use of a cool wall kit, the louvers can be installed on the chase opening to finish the exposed area.

