

# MONTIGO®

# DIVINE

# MULTI SIDED

DIVINE / PROUDLY HANDCRAFTED IN NORTH AMERICA

H38FSD

H42FSD

H38PF

HL38PF

H38PR

HL38PR

H38CL/CR

HL38CL/CR



DIVINE / LEGACY H SERIES



# A NEW DIMENSION

DIVINE  
MULTI SIDED

DIVINE / PROUDLY HANDCRAFTED IN NORTH AMERICA

H38FSD  
H42FSD

See through  
Direct vent

QUICK DIMENSIONS

	H38FSD*		H42FSD*	
	UNIT	FRAM.	UNIT	FRAM.
F.WIDTH	39 <sup>5</sup> / <sub>16</sub>	40 <sup>3</sup> / <sub>4</sub>	43 <sup>3</sup> / <sub>16</sub>	45
B.WIDTH	39 <sup>5</sup> / <sub>16</sub>	40 <sup>3</sup> / <sub>4</sub>	43 <sup>3</sup> / <sub>16</sub>	45
HEIGHT	40 <sup>9</sup> / <sub>16</sub>	42 <sup>1</sup> / <sub>2</sub>	44 <sup>3</sup> / <sub>8</sub>	49 <sup>1</sup> / <sub>2</sub>
DEPTH	24 <sup>1</sup> / <sub>2</sub>	23 <sup>3</sup> / <sub>4</sub>	24 <sup>1</sup> / <sub>2</sub>	24
VIEWING	35 <sup>1</sup> / <sub>4</sub> × 26 <sup>3</sup> / <sub>8</sub>		39 <sup>3</sup> / <sub>8</sub> × 30 <sup>3</sup> / <sub>8</sub>	

DIVINE FSD  
TRADITIONAL

Standard

Traditional burner and logset

Heritage brick liner

Wrought iron grate

Manual Hi-Lo flame control

Options

Multi-function remote control

Wall remote

Battery backup

Fans

Surrounds in satin black or stainless steel

DIVINE FSD  
CONTEMPORARY KIT

Standard

Contemporary burner

Manual Hi-Lo flame control

Options

Glass media

Multi-function remote control

Wall remote

Battery backup

Fans

Surrounds in satin black or stainless steel

BTU LISTING

H38FSDN / 34,000  
H38FSDL / 32,000  
H38FSDNI / 34,000  
H38FSDLI / 32,000

H42FSDN / 37,000  
H42FSDL / 37,000  
H42FSDNI / 37,000  
H42FSDLI / 37,000

EFFICIENCY

H38FSDN / FE 57.5  
H38FSDL / FE 57.5  
H38FSDNI / FE 58.5  
H38FSDLI / FE 58.5

H42FSDN / FE 66  
H42FSDL / FE 66  
H42FSDNI / FE 68.3  
H42FSDLI / FE 68.3

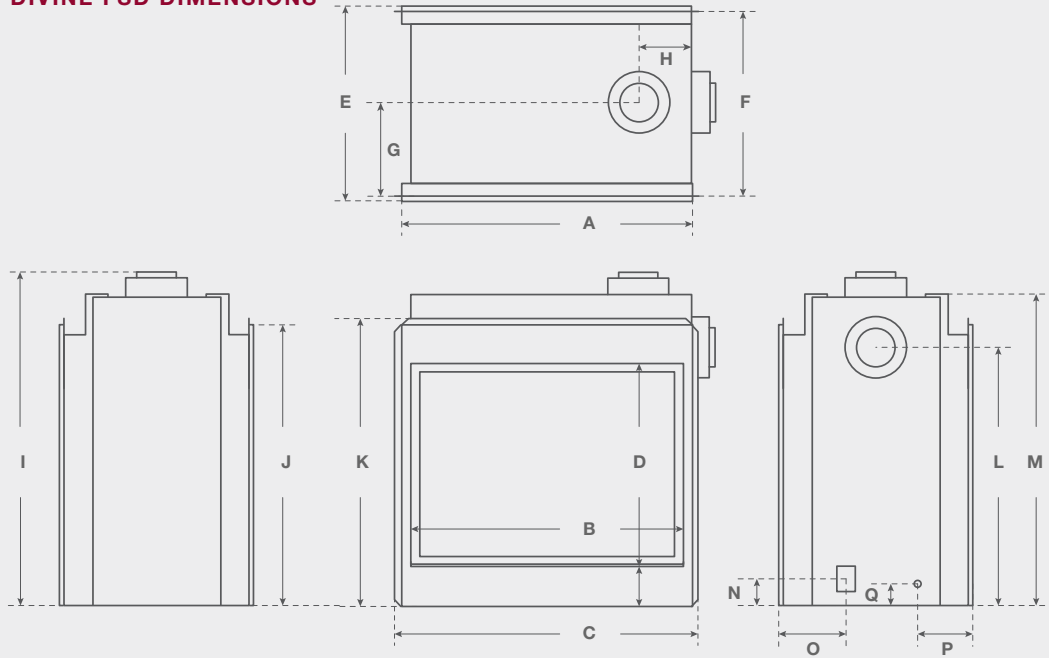




MONTIGO / STAINLESS SURROUND

MONTIGO / SATIN BLACK SURROUND

**DIVINE FSD DIMENSIONS**



	A	B	C	D	E	F	G	H	I	J	K	L	M	N	O	P	Q
H38FSD	37 <sup>3</sup> / <sub>4</sub>	35 <sup>1</sup> / <sub>4</sub>	39 <sup>5</sup> / <sub>16</sub>	26 <sup>3</sup> / <sub>8</sub>	24 <sup>1</sup> / <sub>2</sub>	24	12	6 <sup>7</sup> / <sub>8</sub>	43 <sup>5</sup> / <sub>16</sub>	36 <sup>1</sup> / <sub>2</sub>	37 <sup>5</sup> / <sub>16</sub>	33 <sup>5</sup> / <sub>16</sub>	40 <sup>9</sup> / <sub>16</sub>	3 <sup>5</sup> / <sub>8</sub>	8 <sup>5</sup> / <sub>8</sub>	7 <sup>3</sup> / <sub>8</sub>	3
H42FSD	42	39 <sup>3</sup> / <sub>8</sub>	43 <sup>5</sup> / <sub>16</sub>	30 <sup>3</sup> / <sub>8</sub>	24 <sup>1</sup> / <sub>2</sub>	24	12	6 <sup>7</sup> / <sub>8</sub>	46 <sup>15</sup> / <sub>16</sub>	40 <sup>1</sup> / <sub>2</sub>	41 <sup>5</sup> / <sub>16</sub>	37 <sup>3</sup> / <sub>8</sub>	44 <sup>3</sup> / <sub>8</sub>	3 <sup>5</sup> / <sub>8</sub>	8 <sup>5</sup> / <sub>8</sub>	7 <sup>3</sup> / <sub>8</sub>	3



MONTIGO / DIVINE / H38FSDNI / TRADITIONAL LOGSET



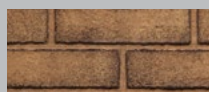
MONTIGO / DIVINE / H42FSDNI / TRADITIONAL LOGSET



REMOTE  
RX200\*\*



WALL REMOTE  
REC1493



HERITAGE<sup>Δ</sup>

<sup>Δ</sup> Standard on H38FSD\*1, H42FSD\*1



**DIVINE**  
MULTI SIDED

# Cornering the market

## H38CL/CR

Corner  
Direct vent

### QUICK DIMENSIONS

	H38CL/CR	
	UNIT	FRAM.
F.WIDTH	43 <sup>3</sup> / <sub>16</sub>	42
B.WIDTH	28 <sup>1</sup> / <sub>8</sub>	42
HEIGHT	41 <sup>1</sup> / <sub>16</sub>	46 <sup>1</sup> / <sub>2</sub>
DEPTH	20 <sup>3</sup> / <sub>8</sub>	21 <sup>1</sup> / <sub>8</sub>
VIEWING	39 <sup>1</sup> / <sub>2</sub> x 28 <sup>3</sup> / <sub>4</sub>	

#### DIVINE CL/CR CONTEMPORARY

##### Standard

- Contemporary burner with ice fireglass
- Remote Hi-Lo flame control
- Multi-function remote control
- Battery backup

##### Options

- Glass media
- Wall remote

#### DIVINE CL/CR TRADITIONAL

##### Standard

- Traditional burner and logset
- Heritage brick liner
- Wrought iron grate
- Remote Hi-Lo flame control
- Multi-function remote control
- Battery backup

##### Options

- Wall remote

### BTU LISTING

H38C\*NI-2 / 34,000 BTU  
H38C\*LI-2 / 32,000 BTU

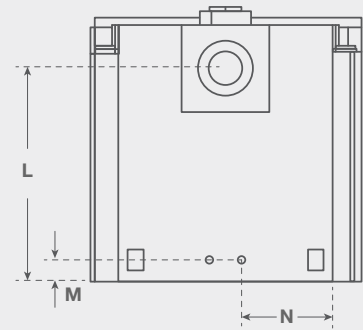
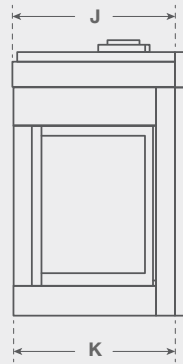
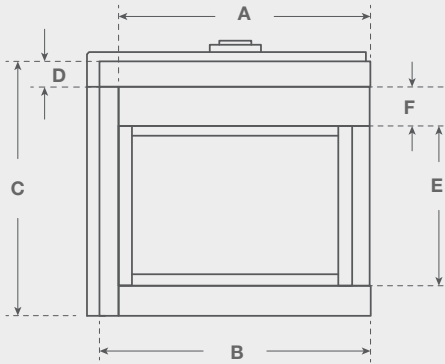
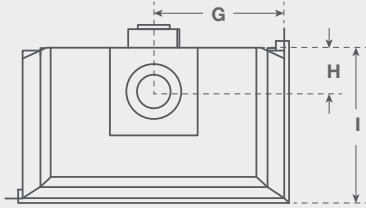
HL38C\*NI-2 / 34,000 BTU  
HL38C\*LI-2 / 32,000 BTU

### EFFICIENCY

H38C\*NI-2 / FE 58.5  
H38C\*LI-2 / FE 58.5

HL38C\*NI-2 / FE 58.5  
HL38C\*LI-2 / FE 58.5

**DIVINE CL/CR DIMENSIONS**



	A	B	C	D	E	F	G	H	I	J	K	L	M	N
H38C*	39 <sup>3</sup> / <sub>16</sub>	42 <sup>3</sup> / <sub>16</sub>	39 <sup>5</sup> / <sub>8</sub>	4	24 <sup>13</sup> / <sub>16</sub>	6	20 <sup>3</sup> / <sub>8</sub>	7	24 <sup>1</sup> / <sub>4</sub>	25 <sup>3</sup> / <sub>8</sub>	22 <sup>1</sup> / <sub>4</sub>	33 <sup>1</sup> / <sub>4</sub>	3 <sup>3</sup> / <sub>16</sub>	14 <sup>3</sup> / <sub>16</sub>



MONTIGO / DIVINE / HL38CRNI-2 / EBONY FIREBEADS



REMOTE<sup>Δ</sup>  
RX200\*\*



WALL REMOTE  
REC1493



HERITAGE<sup>†</sup>

<sup>Δ</sup> Standard on all corner units  
<sup>†</sup> Standard on H38C\*\*I-2





DIVINE / PROUDLY HANDCRAFTED IN NORTH AMERICA

**DIVINE**  
MULTI SIDED

# Room divider

**H38PF**

Pier  
Direct vent

**DIVINE PIER  
CONTEMPORARY**

**Standard**

- Contemporary burner with ice fireglass
- Remote Hi-Lo flame control
- Multi-function remote control
- Battery backup

**Options**

- Glass media
- Wall remote

**DIVINE PIER  
TRADITIONAL**

**Standard**

- Traditional burner and logset
- Heritage brick liner
- Wrought iron grate
- Remote Hi-Lo flame control
- Multi-function remote control
- Battery backup

**Options**

- Wall remote

**QUICK DIMENSIONS**

H38PF		
	UNIT	FRAM.
F.WIDTH	43 <sup>3</sup> / <sub>16</sub>	42
B.WIDTH	28 <sup>1</sup> / <sub>8</sub>	42
HEIGHT	41 <sup>1</sup> / <sub>16</sub>	46 <sup>1</sup> / <sub>2</sub>
DEPTH	20 <sup>3</sup> / <sub>8</sub>	21 <sup>3</sup> / <sub>8</sub>
VIEWING	39 <sup>1</sup> / <sub>2</sub> x 28 <sup>3</sup> / <sub>4</sub>	

**BTU LISTING**

H38PFNI-2 / 34,000 BTU  
H38PFLI-2 / 32,000 BTU

HL38PFNI-2 / 34,000 BTU  
HL38PFLI-2 / 32,000 BTU

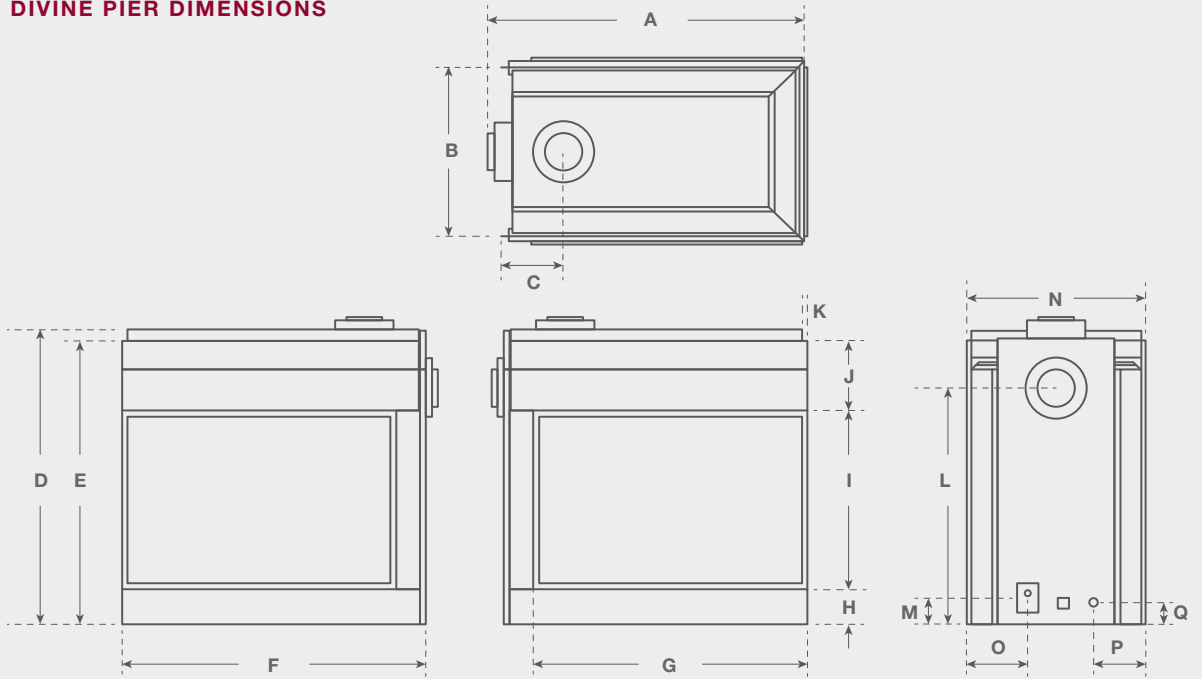
**EFFICIENCY**

H38PFNI-2 / FE 58.5  
H38PFLI-2 / FE 58.5

HL38PFNI-2 / FE 58.5  
HL38PFLI-2 / FE 58.5



## DIVINE PIER DIMENSIONS



	A	B	C	D	E	F	G	H	I	J	K	L	M	N	O	P	Q
H38PRC	44 <sup>9</sup> / <sub>16</sub>	23 <sup>3</sup> / <sub>8</sub>	8 <sup>5</sup> / <sub>8</sub>	41 <sup>1</sup> / <sub>16</sub>	39 <sup>3</sup> / <sub>8</sub>	42 <sup>1</sup> / <sub>2</sub>	38 <sup>1</sup> / <sub>2</sub>	4 <sup>7</sup> / <sub>8</sub>	25 <sup>1</sup> / <sub>16</sub>	9 <sup>3</sup> / <sub>4</sub>	1 <sup>1</sup> / <sub>16</sub>	33	3 <sup>11</sup> / <sub>16</sub>	25	8 <sup>1</sup> / <sub>2</sub>	7 <sup>5</sup> / <sub>16</sub>	3 <sup>1</sup> / <sub>16</sub>

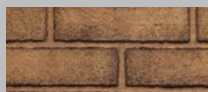
MONTIGO / DIVINE / H38PENI / TRADITIONAL LOGSET



REMOTE<sup>Δ</sup>  
RX200\*\*



WALL REMOTE  
REC1493



HERITAGE<sup>†</sup>

<sup>Δ</sup> Standard on all pier units  
<sup>†</sup> Standard on H38PF1-2



DIVINE / PROUDLY HANDCRAFTED IN NORTH AMERICA



**DIVINE**  
MULTI SIDED

180° of beauty

**DIVINE BAY  
CONTEMPORARY**

**DIVINE BAY  
TRADITIONAL**

**H38PR**

Bay  
Direct vent

**Standard**

Contemporary burner with  
Ice fireglass

Remote Hi-Lo flame control

Multi-function  
remote control

Battery backup

**Options**

Glass media

Wall remote

**Standard**

Traditional burner  
and logset

Wrought iron grate

Heritage brick liner

Remote Hi-Lo flame control

Multi-function  
remote control

Battery backup

**Options**

Wall remote

**QUICK DIMENSIONS**

H38PR		
	UNIT	FRAM.
F.WIDTH	42 <sup>13</sup> / <sub>16</sub>	41
B.WIDTH	42 <sup>13</sup> / <sub>16</sub>	41
HEIGHT	42 <sup>7</sup> / <sub>8</sub>	44
DEPTH	26 <sup>1</sup> / <sub>4</sub>	23 <sup>3</sup> / <sub>4</sub>
VIEWING	32 <sup>1</sup> / <sub>8</sub> × 24 <sup>3</sup> / <sub>4</sub>	

**BTU LISTING**

H38PRNI-2 / 34,000 BTU  
H38PRLI-2 / 32,000 BTU

**EFFICIENCY**

H38PRNI-2 / FE 58.5  
H38PRLI-2 / FE 58.5

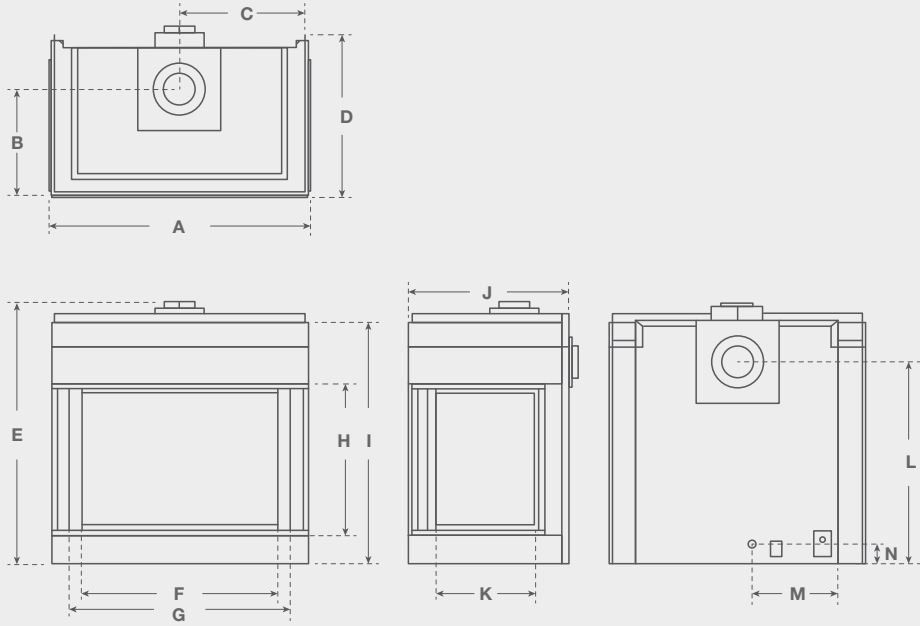
H38PRNI-2 / FE 58.5  
H38PRLI-2 / FE 58.5

MONTIGO / DIVINE / H38PRNI-2 / TRADITIONAL LOGSET





## DIVINE BAY DIMENSIONS



	A	B	C	D	E	F	G	H	I	J	K	L	M	N
H38PRC	42 <sup>13</sup> / <sub>16</sub>	17 <sup>5</sup> / <sub>16</sub>	20 <sup>7</sup> / <sub>16</sub>	26 <sup>9</sup> / <sub>16</sub>	42 <sup>7</sup> / <sub>8</sub>	32 <sup>1</sup> / <sub>8</sub>	36 <sup>3</sup> / <sub>16</sub>	24 <sup>3</sup> / <sub>4</sub>	39 <sup>5</sup> / <sub>8</sub>	26 <sup>1</sup> / <sub>4</sub>	16 <sup>5</sup> / <sub>16</sub>	33 <sup>1</sup> / <sub>8</sub>	14 <sup>3</sup> / <sub>16</sub>	3 <sup>3</sup> / <sub>8</sub>



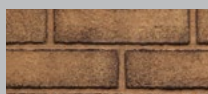
OPTIONS & FEATURES



REMOTE<sup>Δ</sup>  
RX200\*\*



WALL REMOTE  
REC1493



HERITAGE<sup>†</sup>

<sup>Δ</sup> Standard on all bay units

<sup>†</sup> Standard on H38PR<sup>1</sup>-2

COPPER  
HW1143

AMBER  
HW1261

ICE  
HW1157

GLACIER  
HW1219B

PLATINUM  
HW1144

ALABASTER  
HW1260

OBSIDIAN  
HW1113

ONYX  
HW1259

# MEDIA

FROST  
HW1112

QUARTZ  
HW1106

EBONY  
HW1091





# Unit Specifications

## Icon Legend

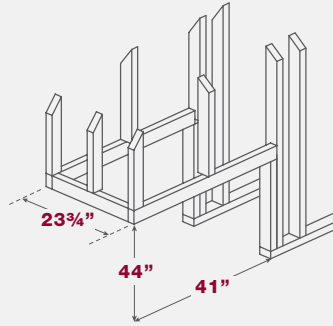
AVAILABLE +

NOT AVAILABLE -

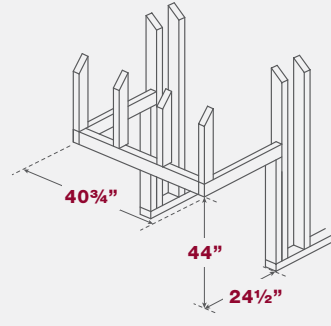
DEDICATED ◊

STANDARD ○

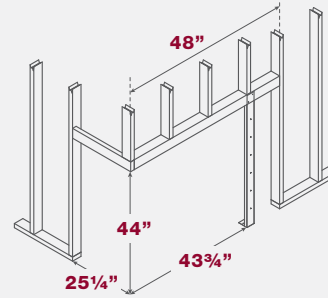
### PIER FRAMING



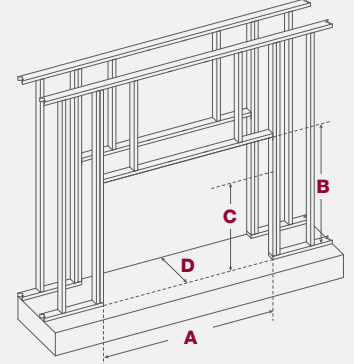
### BAY FRAMING



### CORNER FRAMING



### SEE THROUGH FRAMING



NON COMBUSTIBLE STUD INCLUDED WITH UNIT

Approximate dimensions to center. For best results mount noncombustible stud onto unit, then bolt to 2x4 header and floor.

	A	B	C	D
H38FSD	40 3/4"	42 1/2"	N/A	23 3/4"
H42FSD	45"	49 1/2"	46 1/2"	24"

NON COMBUSTIBLE STUD INCLUDED WITH UNIT - NOT NEEDED FOR H38FSD

	BTU Natural Gas	BTU Liquid Propane	Venting	Clearance Top - Rear vent	Clearance Top - Top vent	Clearance Sides	Clearance Back	Clearance Floor	Front viewing area	Front glass type	Standard media	Invisimesh	Powervent	Remote control	Fans	Uplighting	Downlighting
H38FSD*	34,000	32,000	5"/8"	9	17 1/2	1	2	0	35 3/4 x 26 3/8	Tempered	Traditional	○	+	+	+	-	-
H38FSD*1	34,000	32,000	5"/8"	9	17 1/2	1	2	0	35 3/4 x 26 3/8	Tempered	Traditional	○	+	+	+	-	-
H42FSD*	37,000	37,000	5"/8"	9	17 1/2	1	2	0	39 3/8 x 30 3/8	Tempered	Traditional	○	+	+	+	-	-
H42FSD*1	37,000	37,000	5"/8"	9	17 1/2	1	1	0	39 3/8 x 30 3/8	Tempered	Traditional	○	+	+	+	-	-
H38PF*1-2	34,000	32,000	5"/8"	9	17 1/2	1	1	0	32 1/8 x 21 5/8	Tempered	Traditional	○	+	○	-	-	-
HL38PF*1-2	34,000	32,000	5"/8"	9	17 1/2	1	1	0	32 1/8 x 21 5/8	Tempered	HW1157	○	+	○	-	-	-
H38PR*1-2	34,000	32,000	5"/8"	9	17 1/2	1	1	0	32 1/8 x 24 3/4	Tempered	Traditional	○	+	○	-	-	-
HL38PR*1-2	34,000	32,000	5"/8"	9	17 1/2	1	1	0	32 1/8 x 24 3/4	Tempered	HW1157	○	+	○	-	-	-
H38CL*1-2	34,000	32,000	5"/8"	9	17 1/2	1	1	0	32 1/8 x 24 3/4	Tempered	Traditional	○	+	○	-	-	-
HL38CL*1-2	34,000	32,000	5"/8"	9	17 1/2	1	1	0	32 1/8 x 24 3/4	Tempered	HW1157	○	+	○	-	-	-
H38CR*1-2	34,000	32,000	5"/8"	9	17 1/2	1	1	0	32 1/8 x 24 3/4	Tempered	Traditional	○	+	○	-	-	-
HL38CR*1-2	34,000	32,000	5"/8"	9	17 1/2	1	1	0	32 1/8 x 24 3/4	Tempered	HW1157	○	+	○	-	-	-

## 1976: The Days Before Gas Fireplaces

In 1976, Montigo president and founder, Dan Binzer, started installing zero-clearance wood burning fireplaces for local builders in Vancouver, BC. Over the years, demand grew for a gas alternative, and Dan engineered and manufactured the first ever sandpan logset. The logset was installed in a zero-clearance wood burning fireplaces shell, resulting in one of the first zero-clearance gas fireplaces on the market.

## 1985: Gas Fireplace Manufacturing Begins

Demand for gas grew rapidly, especially among multi-unit developments so Dan Binzer started a company called Canadian Heating that would offer full service design, engineering and manufacturing for gas fireplaces. Under the Montigo brand, Canadian Heating began manufacturing and selling a wide selection of zero-clearance gas fireplaces throughout Canada and in 1985 development began for the latest and greatest in gas fireplace technology – direct venting.

## 1994: Manufacturing Excellence is Achieved

Development and advancement of the gas fireplace continued over the years with continual developments to improve the efficiency of the fireplaces and perfected manufacturing processes to deliver an optimum fireplace each and every time – even for completely custom units.

## Present: Leading the Way with Modern Fireplace Design

As one of the first to bring a linear designed fireplace to market, Montigo now offers the largest selection of linear fireplaces demanded by designers, architects and homeowners wanting to create a modern and contemporary space and homeowners wanting to create a modern and contemporary space.

### **WARNING**

Some materials used in the manufacturing process of this product can expose you to Benzene which is known in the State of California to cause cancer and birth defects or other reproductive harm. For more information go to [www.P65warnings.ca.gov](http://www.P65warnings.ca.gov)

for more inspiration go to  
[www.montigo.com](http://www.montigo.com)

**MONTIGO**<sup>®</sup>  
the art of **fireplaces**



## Our Guarantee

Montigo<sup>®</sup> stands behind the craftsmanship and durability of our products by providing a 15 year warranty on the burner and firebox in all our residential fireplaces. All made using steel milled in the United States.



Printed in Canada

XB2215