

Features

Frameless window design

Convertible to top or rear flue vent

Compatible with 24VAC home automation systems

EXEMPLAR

SPECIFICATIONS AND FEATURES

EXEMPLAR RP620 CONTEMPORARY

EXEMPLAR POWER VENTS

Standard

Concealed burner with Quartz firebeads

Black porcelain liner

Halogen uplighting

Options

Speckled stones, driftwood, glass media

Remote control on/off

Wall Mount

PVHEX58-300

PVHEX510-300

PVHEXD-300

Flush Wall Mount

PVHFL58-300

PVHFL510-300

PVHIN58-300-FS

Roof Mount

PVEX58-300

PVEX510-300

RP620

Single sided
Power vented

QUICK DIMENSIONS

RP620	UNIT	FRAM.
F.WIDTH	84 ¹³ / ₁₆	96
B.WIDTH	84 ¹³ / ₁₆	96
HEIGHT	44 ⁷ / ₈	54
DEPTH	22 ¹ / ₂	26
VIEWING	73 ¹ / ₄ × 18 ¹ / ₈	

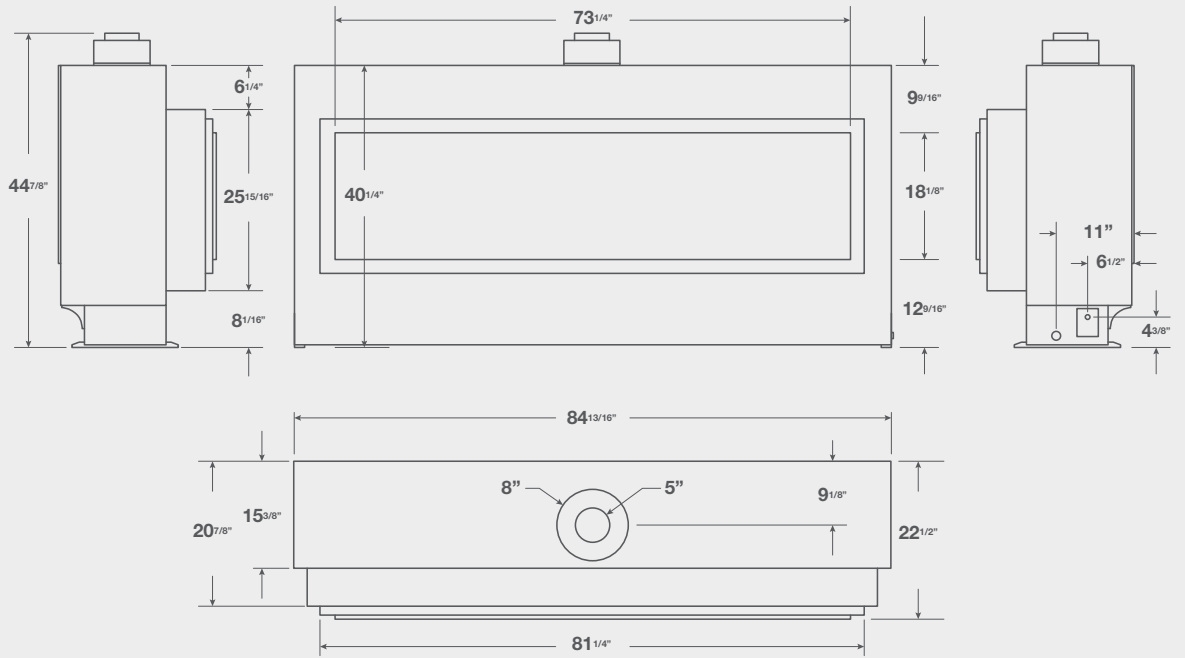
BTU LISTING

RP620N / 75,000

RP620L / 70,000



EXEMPLAR RP620 DIMENSIONS



MONTIGO / EXEMPLAR / RP620N / OBSIDIAN FIREGLASS



MONTIGO / EXEMPLAR / RP620N / DRIFTWOOD SPECKLED STONES

OPTIONS & FEATURES



REMOTE ON/OFF
RXM40VAC



BLACK PORCELAIN[†]



UPLIGHTING[†]

[†]Optional on RP620
[‡]Standard on RP620

Unit Specifications

Icon Legend

AVAILABLE +

NOT AVAILABLE -

DEDICATED ◊

STANDARD ○

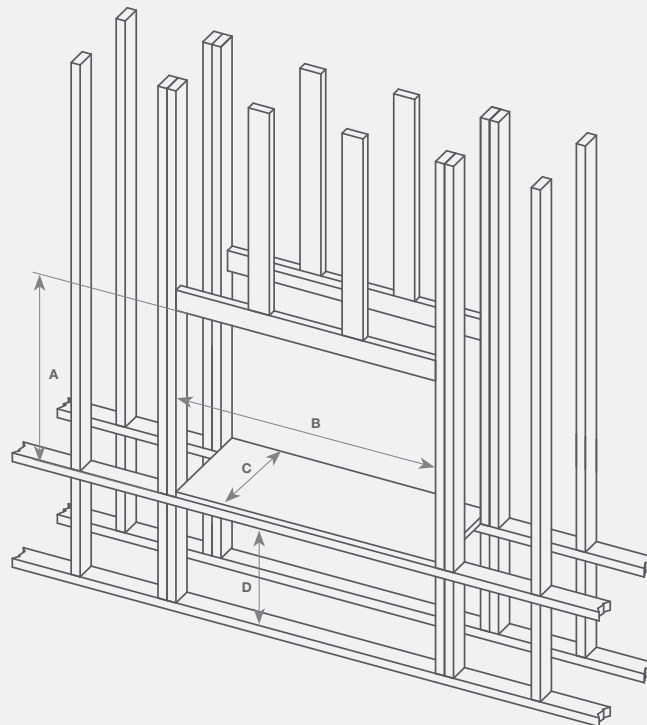
	BTU Natural Gas	BTU Liquid Propane	Venting	Clearance Top - Rear vent	Clearance Top - Top vent	Clearance Sides	Clearance Back	Clearance Floor	Front viewing area	Standard media	Front glass type	Invisimesh screen	Powervent	Remote control Fans	Uplighting	Downlighting
R320	50,000	40,000	5"/8"	24	24	6	2	0	37¼ × 16½	HW1157	Tempered	○	◊	-	-	-
R420	65,000	55,000	5"/8"	24	24	6	2	0	49¼ × 16½	HW1157	Tempered	○	◊	-	-	-
R520	80,000	65,000	5"/10"	24	24	6	2	0	61¼ × 18½	HW1157	Tempered	○	◊	-	-	-
R620ST	100,000	100,000	5"/10"	26	26	3	2	0	85¼ × 18½	HW1157	Tempered	○	◊	-	-	-
RP620	75,000	70,000	5"/8"	25¾	25¾	5½	4	0	73¼ × 18½	HW1157	Neoceramic	○	◊	-	-	○
R720	100,000	80,000	5"/10"	24	24	6	2	0	85¼ × 18½	HW1157	Tempered	○	◊	-	-	-
R820	100,000	80,000	5"/10"	24	24	6	2	0	97¼ × 18½	HW1157	Tempered	○	◊	-	-	-
R324	50,000	50,000	N/A	3	3	½	N/A	0	35¼ × 26¾	HW1157	Tempered	○	○	-	-	-
RP424	45,000	45,000	5"/8"	0	0	0	0	0	35¼ × 26¾	N/A	Tempered	-	◊	-	-	○

EXEMPLAR FRAMING

	A	B	C	D
R320	47	55	23¾ [†]	24
R420	47	67	23¾ [†]	24
R520	45	77	23¾ [†]	24
RP620	54	96	26 [†]	24
R720	46	101	23¾ [†]	24
R820	46	113	23¾ [†]	24

EXEMPLAR ST FRAMING

	A	B	C	D
R320ST	47	55	23¾	0
R324	48	49	N/A	10
R420ST	47	67	23¾	0
R520ST	45	77	23¾	0
R620ST	45	101	23¾	0



See instruction manual for detailed instructions

Header on edge not required if framing meets clearance to venting

[†]Dimension is to back wall or back studs