



EXEMPLAR
MULTI SIDED

SPECIFICATIONS AND FEATURES

**R320ST, R420ST,
R520ST, R620ST**

See through
Power vented

QUICK DIMENSIONS

	R320ST		R420ST		R520ST		R620ST	
	UNIT	FRAM.	UNIT	FRAM.	UNIT	FRAM.	UNIT	FRAM.
F.WIDTH	41½	56 ¹³ / ₁₆	53½	68 ¹³ / ₁₆	65½	80 ¹³ / ₁₆	77½	92 ¹³ / ₁₆
B.WIDTH	50 ¹³ / ₁₆	56 ¹³ / ₁₆	62 ¹³ / ₁₆	68 ¹³ / ₁₆	74 ¹³ / ₁₆	80 ¹³ / ₁₆	86 ¹³ / ₁₆	92 ¹³ / ₁₆
HEIGHT	45 ⁷ / ₈	47	45 ⁷ / ₈	47	45 ⁷ / ₈	47	45 ⁷ / ₈	47
DEPTH	24 ⁵ / ₈	23¾	24 ⁵ / ₈	23¾	24 ⁵ / ₈	23¾	24 ⁵ / ₈	23¾
VIEWING	37¼ x 16½		49¼ x 16½		61¼ x 18½		73¼ x 18½	

EXEMPLAR CONTEMPORARY

Standard

- Contemporary burner with Ice fireglass
- Tempered glass
- Power vent control box

Options

- Speckled stones, driftwood, glass media
- Indoor outdoor kit
- Remote control on/off

EXEMPLAR POWER VENTS

Wall Mount

- PVHEX58-300
- PVHEX510-300
- PVHEXD-300

Flush Wall Mount

- PVHFL58-300
- PVHFL510-300
- PVHIN58-300-FS^A

Roof Mount

- PVVEX58-300
- PVVEX510-300

^APower Vent is for R320ST and R420ST only

BTU LISTING

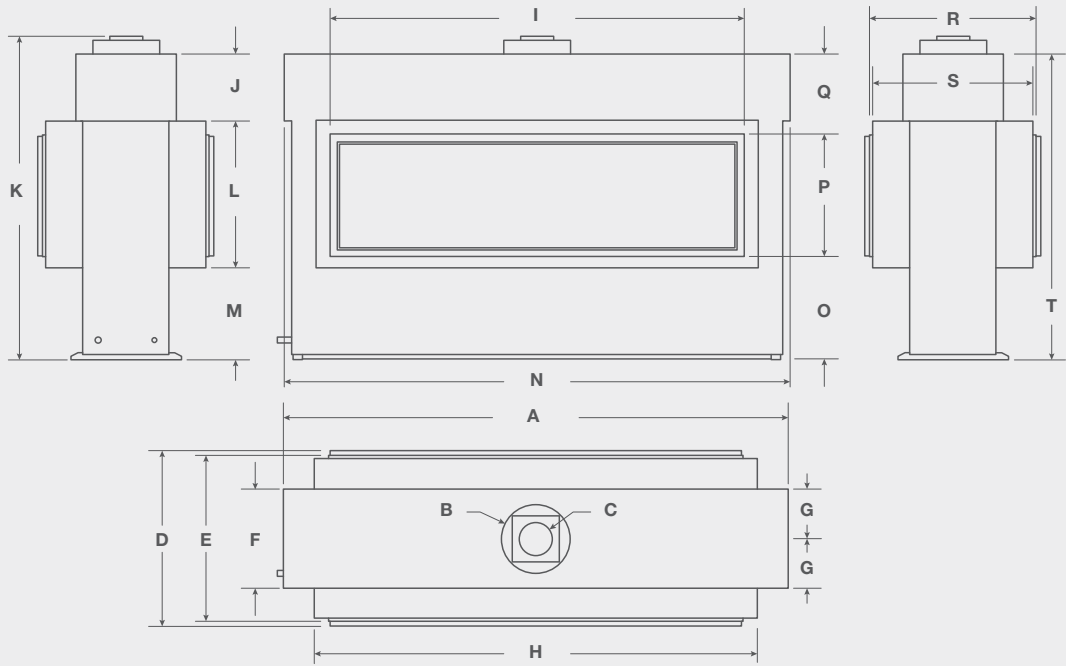
R320STN / 45,000
R420STN / 55,000

R320STL / 42,000
R420STL / 55,000

R520STN / 80,000
R620STN / 100,000

R520STL / 80,000
R620STL / 100,000

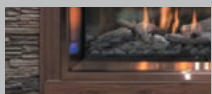
EXEMPLAR DIMENSIONS



	A	B	C	D	E	F	G	H	I	J	K	L	M	N	O	P	Q	R	S
R320	50 ⁷ / ₈	8	5	26 ³ / ₈	24 ⁵ / ₈	15	7 ⁷ / ₁₆	41 ¹ / ₂	37 ¹ / ₈	9 ¹³ / ₁₆	45 ⁷ / ₈	19 ³ / ₄	13 ³ / ₈	50 ¹³ / ₁₆	15 ¹ / ₈	16 ¹ / ₈	12	24 ³ / ₈	23 ⁷ / ₈
R420	62 ⁷ / ₈	8	5	26 ³ / ₈	24 ⁵ / ₈	15	7 ⁷ / ₁₆	53 ¹ / ₂	49 ¹ / ₄	9 ¹³ / ₁₆	45 ⁷ / ₈	19 ³ / ₄	13 ³ / ₈	62 ¹³ / ₁₆	15 ¹ / ₈	16 ¹ / ₈	12	24 ³ / ₈	23 ⁷ / ₈
R520	74 ⁷ / ₈	10	5	26 ³ / ₈	24 ⁵ / ₈	15	7 ⁷ / ₁₆	65 ¹ / ₂	61 ¹ / ₄	9 ¹³ / ₁₆	45 ⁷ / ₈	19 ³ / ₄	13 ³ / ₈	74 ¹³ / ₁₆	15 ¹ / ₈	16 ¹ / ₈	12	24 ³ / ₈	23 ⁷ / ₈
R620	86 ⁷ / ₈	10	5	26 ³ / ₈	24 ⁵ / ₈	15	7 ⁷ / ₁₆	77 ¹ / ₂	73 ¹ / ₄	9 ¹³ / ₁₆	45 ⁷ / ₈	19 ³ / ₄	13 ³ / ₈	86 ¹³ / ₁₆	15 ¹ / ₈	16 ¹ / ₈	12	24 ³ / ₈	23 ⁷ / ₈



OPTIONS & FEATURES



**INDOOR
OUTDOOR KIT
IOSK***



**REMOTE ON/OFF
RXM40VAC**

Unit Specifications

Icon Legend

AVAILABLE +

NOT AVAILABLE -

DEDICATED ◊

STANDARD ○

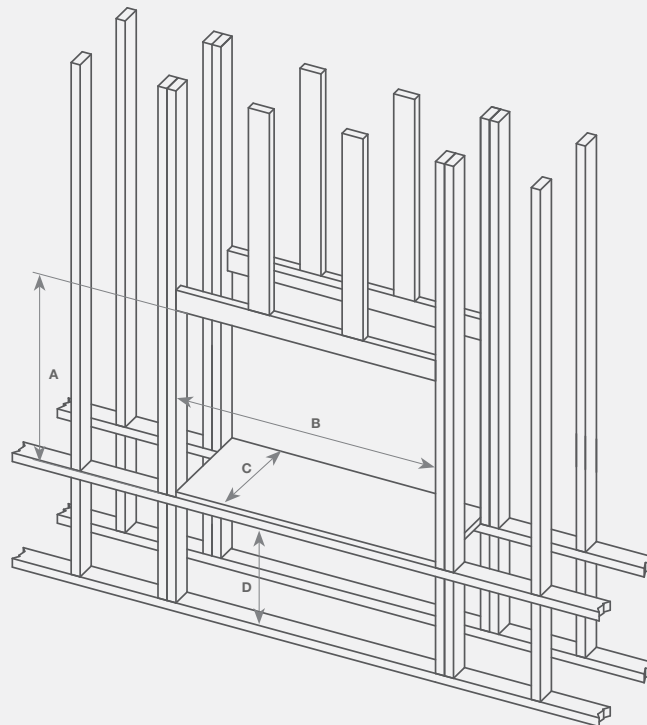
	BTU Natural Gas	BTU Liquid Propane	Venting	Clearance Top - Rear vent	Clearance Top - Top vent	Clearance Sides	Clearance Back	Clearance Floor	Front viewing area	Standard media	Front glass type	Invisimesh screen	Powervent	Remote control Fans	Uplighting	Downlighting
R320	50,000	40,000	5"/8"	24	24	6	2	0	37¼ × 16½	HW1157	Tempered	○	◊	-	-	-
R420	65,000	55,000	5"/8"	24	24	6	2	0	49¼ × 16½	HW1157	Tempered	○	◊	-	-	-
R520	80,000	65,000	5"/10"	24	24	6	2	0	61¼ × 18½	HW1157	Tempered	○	◊	-	-	-
R620ST	100,000	100,000	5"/10"	26	26	3	2	0	85¼ × 18½	HW1157	Tempered	○	◊	-	-	-
RP620	75,000	70,000	5"/8"	25¾	25¾	5½	4	0	73¼ × 18½	HW1157	Neoceramic	○	◊	-	-	○
R720	100,000	80,000	5"/10"	24	24	6	2	0	85¼ × 18½	HW1157	Tempered	○	◊	-	-	-
R820	100,000	80,000	5"/10"	24	24	6	2	0	97¼ × 18½	HW1157	Tempered	○	◊	-	-	-
R324	50,000	50,000	N/A	3	3	½	N/A	0	35¼ × 26¾	HW1157	Tempered	○	○	-	-	-
RP424	45,000	45,000	5"/8"	0	0	0	0	0	35¼ × 26¾	N/A	Tempered	-	◊	-	-	○

EXEMPLAR FRAMING

	A	B	C	D
R320	47	55	23¾ [†]	24
R420	47	67	23¾ [†]	24
R520	45	77	23¾ [†]	24
RP620	54	96	26 [†]	24
R720	46	101	23¾ [†]	24
R820	46	113	23¾ [†]	24

EXEMPLAR ST FRAMING

	A	B	C	D
R320ST	47	56 ^{13/16}	23¾	0
R324	48	49	N/A	10
R420ST	47	68 ^{13/16}	23¾	0
R520ST	47	80 ^{13/16}	23¾	0
R620ST	47	92 ^{13/16}	23¾	0



See instruction manual for detailed instructions

Header on edge not required if framing meets clearance to venting

[†]Dimension is to back wall or back studs