

WOOD FIREPLACES,
STOVES & INSERTS



www.regency-fire.com



WOOD FIREPLACES,
STOVES & INSERTS

WHY CHOOSE REGENCY?

CLEAN BURNING HEATING SOLUTIONS

In 1979, I founded Regency Fireplace Products with a mission to produce the finest fireplace products available anywhere. As a result, Regency has been honored with awards for exceptional aesthetics and performance. It is known as the premium brand in the industry. There are so many reasons to choose a Regency and I would like to share a few with you.

SAVE MONEY... ZONE HEAT

Never before have home heating costs been higher. Turn your furnace way down and zone heat with beautiful, renewable wood in the rooms you spend time in. Not only can you cut your fuel bills in half but you will be able to enjoy the timeless joy of a wood fire. The glowing embers, the snap of wood as it catches fire, the casual curl of yellow flames, there is nothing like a wood fire.

ENVIRONMENTALLY FRIENDLY

All Regency Wood Inserts, Fireplaces and Stoves have been certified by the United States Environmental Protection Agency (EPA). Regency engineers have carefully designed the firebox to create airflow around the wood so that it burns completely, resulting in very little ash and almost no polluting smoke into our environment. Burning wood is also carbon neutral.

REGENCY QUALITY

The Regency name means quality in every way. I am supported by an exceptional team, state of the art research and a world class manufacturing facility. We have carefully selected a dealer network that is committed to your satisfaction.

LIFETIME GUARANTEE

I am so confident in the quality workmanship, the finest materials, and durable, heavy-duty construction invested in each and every product; that I offer a Limited Lifetime Warranty. We know that you will be as proud of your Regency Wood Insert, Fireplace or Stove as we are – I guarantee it.



Robert Little
Founder & CEO



TABLE OF CONTENTS

<i>Regency Pro-Series Wood Insert</i> CI2600	06
<i>Regency Alterra Wood Insert</i> C11250	08
<i>Regency Classic Wood Inserts</i> I1200, H2100 Hearth Heater I2400 & I3100	10 12
<i>Regency Wood Fireplaces</i> R90 & EX90	14
<i>Regency Alterra Wood Stove</i> CS1200	16
<i>Regency Classic Wood Stoves</i> F1100, F2400, S2400, F3100	18
<i>Regency Pro-Series Wood Stoves</i> F5100 & F3500	20
<i>Technology</i>	22
<i>Accessories</i>	25
<i>Technical Specs</i>	26





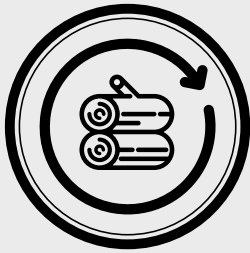
renewable

affordable

beautiful



BURNING WOOD - A GREEN CHOICE



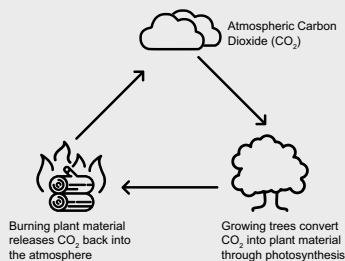
RENEWABLE ENERGY

Wood is a renewable natural resource - well-managed forests are a renewable, sustainable source of energy that help us reduce greenhouse gas emissions and be less dependent on oil & gas.



WOOD IS AFFORDABLE

Reduce your dependence on high priced, non-renewable home heating fuels by burning wood. Turn your furnace down and enjoy comforting warmth in your main living area with a Regency wood product. Whether you buy your wood or collect it yourself, you will notice the savings within the first year.



WOOD IS CARBON NEUTRAL

As trees grow they absorb carbon dioxide from the atmosphere. When trees die and are left to decompose in the forest or burn in forest fires, the carbon stored in the trees is released in the atmosphere as carbon dioxide.

Burning firewood produces the same amount of carbon dioxide as it has absorbed during its life cycle - making wood burning carbon neutral.



EPA CERTIFIED

All Regency Wood Inserts, Fireplaces and Stoves have been tested and certified to the strictest clean air standards as set by the United States Environmental Protection Agency (EPA).



Pro-Series CI2600 with low profile faceplate.

PRO-SERIES WOOD INSERT | CI2600

BEST LINEAR STYLING - CI2600

This insert's flush design takes the wood insert category to a whole new level. Clean lines surround an expansive linear firebox providing you with a designer look around an incredible fire.

LATEST IN WOOD BURNING TECHNOLOGY

The Eco-Boost™ hybrid catalytic system allows the fuel to burn at a slower rate, delivering 14 hours or more of heat with a single load of wood. Fuel is used to its full potential with only **1.8 g/hr. of emissions and 86.1% efficiency!**

SPECIFICATIONS	
Technology	Eco-Boost
Maximum BTU*	77,000
Typical Sq. Ft. Heated**	up to 2,600 sq. ft.
Optimum Efficiency	86.1%
Maximum Log Size	22"
Burn Time (Typical)*	up to 14 hrs
Emissions (grams/hr)	1.8g
Firebox Size	2.6 cu. ft.
Flue size	6"

MINIMUM FIREPLACE OPENING	
Width	28-13/16"
Height	21-3/4"
Depth	19"

* Length of burn time and BTU range depend on type of wood, moisture content, climate conditions and installation.

** Varies depending on home floor plan, house layout, heat loss of the house and quality/moisture content of wood.



Pro-Series C12600 with contemporary faceplate.

BURN TIME
up to
14 HOURS*

STANDARD FEATURES

- EPA certified
- Eco-Boost™ Technology
- 2.6 cu. ft. firebox accommodating 22" logs
- Single rod bypass damper to engage catalyst
- Single lever air control to adjust heat output
- Digital Catalytic temperature monitor
- High performance brick-lined firebox
- Clean glass airwash system
- Contemporary cast iron door
- Ceramic glass
- 250 sq. in. viewing area
- 110° opening door for easy loading
- Quick access leveling bolts
- Rollers for easy installation

OPTIONS

- Low profile or contemporary faceplate
- Backing plate in 2 sizes
- Concealed 2 speed blower
- Offset flue adapter for installation flexibility
- Regency stainless steel flex liner kits
- Flue connectors
- Wrap insulation kits





Alterra CI1250 wood insert.

ALTERRA® WOOD INSERT | CI1250

TRANSFORM YOUR FIREPLACE - CI1250

The Regency Alterra Wood Insert is the next generation in contemporary fireplace design. It combines the unparalleled tradition of high quality, industry leading engineering along with a sleek, modern design. The Alterra features a flush door and surround that transforms your inefficient fireplace opening into a style savvy, efficient heater.

HEATING THE FARTHEST CORNER IN YOUR ROOM

Turn that cold corner into a cozy nook. The included 2 speed, flush mount, blower will distribute all that heat into the farthest corners of your room.

SPECIFICATIONS	
Maximum BTU*	55,000
Typical Sq. Ft. Heated**	600-1000 sq. ft.
Optimum Efficiency	77.7%
Maximum Log Size	18"
Burn Time (Typical)*	up to 8 hrs
Emissions (grams/hr)	3.0g
Firebox Size	1.4 cu. ft.
Flue size	6"

MINIMUM FIREPLACE OPENING	
Width	25"
Height	23"
Depth (with standard adaptor)	15-1/16"
Depth (with offset adaptor)	17-11/16"

* Length of burn time and BTU range depend on type of wood, moisture content, climate conditions and installation.

** Varies depending on home floor plan, house layout, heat loss of the house and quality/moisture content of wood.



Alterra C1250 wood insert.

BURN TIME
up to
8 HOURS*

STANDARD FEATURES

- EPA Certified
- 1.4 cu. ft. firebox accommodating 18" logs
- Single lever air control
- High performance brick-lined firebox
- Clean glass airwash system
- Reversible cast iron door with removable handle
- Ceramic glass
- 170 sq. in. viewing area
- Black cast iron faceplate
- Flush mount 2 speed blower

OPTIONS

- Standard or custom made backing plates
- Standard or 4-1/2" offset flue adaptor (*patented*)
- Regency stainless steel flex liner kits
- Flue connectors
- Wrap insulation kits





Hearth Heater H2100 with black door, regular faceplate and 2 speed blower.

CLASSIC WOOD INSERTS | I1200 • H2100 Hearth Heater

INCREDIBLE HEAT FOR ANY SIZED ROOM - I1200

The Regency I1200 Classic Wood Insert is ideal for that charming fireplace that isn't quite big enough for standard inserts, or for that space in your home that invites a more compact style of fireplace. Yet this small insert delivers a generous 55,000 BTUs of heat and offers a dramatic view through the large glass door.

NO POWER, NO PROBLEM - H2100 HEARTH HEATER

The Hearth Heater combines the best qualities of the Classic Stove and Insert series. It eliminates the cold draft of an open fireplace and because it sits out on the hearth, gives you both convective and radiant heat. Like all Regency products, the Hearth Heater operates during power outages, providing a convenient cooktop surface as well.

SPECIFICATIONS	I1200	H2100
Maximum BTU*	55,000	70,000
Typical Sq. Ft. Heated**	600-1000 sq. ft.	800-1500 sq. ft.
Optimum Efficiency	77.7%	84.9%
Maximum Log Size	18"	18"
Burn Time (Typical)*	up to 8 hrs	up to 8 hrs
Emissions (grams/hr)	3.0g	3.5g
Firebox Size	1.4 cu. ft.	1.6 cu. ft.
Flue size	6"	6"

MINIMUM FIREPLACE OPENING

Width	23"	-
Height	19"	20"
Depth (with standard adaptor)	13-3/4"	-
Depth (with offset adaptor)	16-1/2"	-

* Length of burn time and BTU range depend on type of wood, moisture content, climate conditions and installation.

** Varies depending on home floor plan, house layout, heat loss of the house and quality/moisture content of wood.



Regency I1200 with nickel accent door, regular faceplate and 2 speed blower.

BURN TIME
up to
8 HOURS*

STANDARD FEATURES

- EPA Certified
- Single rod air control
- High performance brick-lined firebox
- Clean glass airwash system
- Ceramic glass
- Convector airmate (H2100 only)



OPTIONS

- Cast iron door in black** or nickel accent
- Contemporary cast iron door (I1200 only)
- Regular or oversize faceplate (black trim included)
- Screen door (I1200 only)
- 2 speed blower
- Cast iron legs in black or brushed nickel (H2100 only - see diagram on p.27)
- Standard or 4-1/2" offset flue adaptor (patented - I1200 only)
- Regency stainless steel flex liner kits
- Flue connectors
- Wrap insulation kits

** Black door comes with nickel handles and nickel hinge caps





Regency I2400 with nickel accent door, black convection grills, regular faceplate and 2 speed blower.

CLASSIC WOOD INSERTS | I2400 • I3100

ZONE HEAT FOR LOWER HEATING BILLS - I2400

Your open masonry fireplace can allow as much as 90% of your fire's heat to escape out the chimney. By adding a Regency Classic Wood Insert, you will keep the heat in your home. Regency Inserts are ready to install and fit easily into your existing fireplace. Increase the value of your home and decrease your monthly heating bill.

A SIZE PERFECT FOR ANY ROOM - I3100

Regency's Wood Inserts are available in a variety of sizes generating up to 75,000 BTUs of heat, heating up to 3,000 square feet, with burn times of up to 10 hours. All Regency Wood Inserts boast an airwash system to keep the glass door clean longer for a better view of the fire.

SPECIFICATIONS	I2400	I3100
Maximum BTU*	75,000	80,000
Typical Sq. Ft. Heated**	1000-2000	1800-3000
Optimum Efficiency	75.7%	75.4%
Maximum Log Size	18"	21"
Burn Time (Typical)*	up to 8 hrs	up to 10 hrs
Emissions (grams/hr)	3.4g	4.2g
Firebox Size	2.3 cu. ft.	2.9 cu. ft.
Flue size	6"	6"

MINIMUM FIREPLACE OPENING		
Width	25"	28"
Height	21-1/2"	25"
Depth	17"	17"

* Length of burn time and BTU range depend on type of wood, moisture content, climate conditions and installation.

** Varies depending on home floor plan, house layout, heat loss of the house and quality/moisture content of wood.



Regency I3100 with black door, black convection grills, regular faceplate and 2 speed blower.

BURN TIME
up to
8-10 HOURS*

STANDARD FEATURES

- EPA Certified
- Single rod air control
- High performance brick-lined firebox
- Clean glass airwash system
- Ceramic glass
- Black convection grills
- Mobile home approved (I2400 only)

OPTIONS

- Cast iron door in black** or nickel accent
- Nickel convection grills
- Regular or oversize faceplate (black trim included)
- Screen door
- 2 speed blower
- Regency stainless steel flex liner kits
- Flue connectors
- Wrap insulation kits

** Black door comes with nickel handles and nickel hinge caps





Classic R90 featuring black louvers.

WOOD FIREPLACES | R90 • EX90

A FURNACE WITH A VIEW - EX90

Regency's high efficiency fireplaces put a designer face on a hard working heater. Offering timeless appeal, the Excalibur fireplace is defined by the large arched viewing area that frames a captivating wood fire. Just load up your Regency & tuck in for a cozy night's sleep.

A HARD WORKING HEATER - R90

Delivering up to 70,000 BTUs of high efficiency heat, your Regency will burn for up to 8 hours. The simple and reliable all-in-one draft control rod allows you to choose a slow burning fire with less heat or a robust, crackling fire to take the chill off any room.

SPECIFICATIONS	R90 & EX90
Maximum BTU*	70,000
Typical Sq. Ft. Heated**	1000-2200
Optimum Efficiency	77.4%
Maximum Log Size	20"
Burn Time (Typical)*	up to 8 hrs
Emissions (grams/hr)	3.72g
Firebox Size	2.5 cu. ft.
Flue size	8"

* Length of burn time and BTU range depend on type of wood, moisture content, climate conditions and installation.

** Varies depending on home floor plan, house layout, heat loss of the house and quality/moisture content of wood.



Excalibur® EX90 shown with Excalibur front in black.

BURN TIME
up to
8 HOURS*

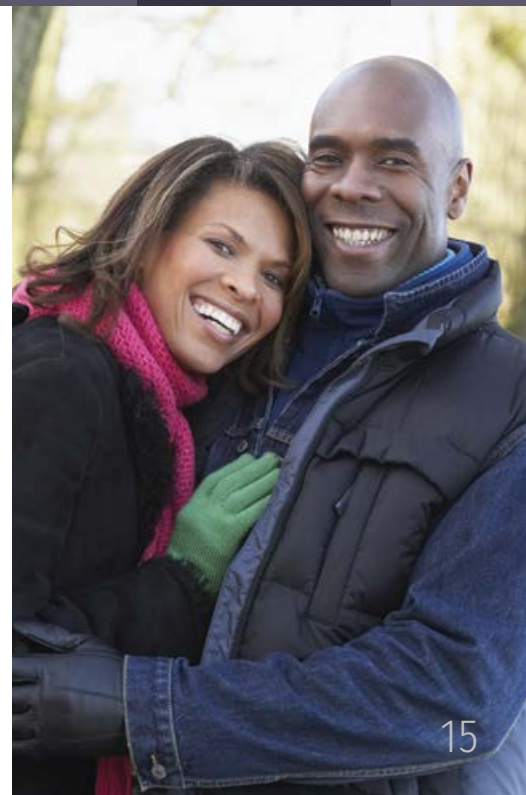
STANDARD FEATURES

- EPA Certified
- Single rod air control
- High performance brick-lined firebox
- Clean glass airwash system
- Black cast iron double doors
- Ceramic glass
- Andirons
- Outside air kit



OPTIONS

- Black louvers (R90)
- Excalibur arch front in black (EX90)
- Variable speed blower
- Ash drawer
- Screen door
- Gravity air vent kit
- HeatWave™ kit (Canada only)
- 8" - 7" flue adaptor (Canada only)
- 8" Air cooled pipe adaptors (US only)





CS1200 shown with black side panels.

ALTEIRA® WOOD STOVE | CS1200

MODERN STYLING - CS1200

The striking, contemporary design of Regency's Alterra Wood Stove puts the focus on the brilliant glowing fire. With an impressive 20% greater viewing area than traditional wood stoves, the Alterra is perfectly proportioned for visual pleasure and easy loading.

TRADITIONAL HIGH EFFICIENCY HEAT

The unique modern styling is complemented by the Regency tradition of reliability and high efficiency. All Regency wood stoves produce more heat using less wood and a longer burn. Enjoy clean burning wood heat all winter long.

SPECIFICATIONS	
Maximum BTU*	55,000
Typical Sq. Ft. Heated**	600-1200
Optimum Efficiency	77.7%
Maximum Log Size	18"
Burn Time (Typical)*	up to 8 hrs
Emissions (grams/hr)	3.0g
Firebox Size	1.4 cu. ft.
Flue size	6"

* Length of burn time and BTU range depend on type of wood, moisture content, climate conditions and installation.

** Varies depending on home floor plan, house layout, heat loss of the house and quality/moisture content of wood.



CS1200 shown with stainless steel side panels and black floor pad.

BURN TIME
up to
8 HOURS*

STANDARD FEATURES

- EPA Certified
- Single lever air control
- High performance brick-lined firebox
- Clean glass airwash system
- Ceramic glass
- Reversible cast iron door with removable handle
- Built-in top louver airmate
- Mobile home & alcove approved
- Closest clearances in the industry

OPTIONS

- Side panels in black or stainless steel
- Ash drawer
- 2 speed blower
- Ashlip
- Outside air kit
- Black floor pad





F2400 shown with legs, nickel accent door and airmate.

CLASSIC WOOD STOVES | F1100 • F2400 • S2400 • F3100

CLASSIC DESIGN IN THREE SIZES - F1100, F2400, F3100

The timeless styling of the Classic Wood Stove comes in three sizes producing from 55,000 to 80,000 BTUs of toasty warmth for a single living area or an entire home. Up to 77% efficiency means any room can be heated quickly. It also means your wood stove burns cleanly meeting the strictest air quality standards set by the United States Environmental Protection Agency (EPA).

CLOSEST CLEARANCES IN THE INDUSTRY - S2400

The special design of the Step Top Classic makes it possible to be placed close to a corner of the wall. All Regency wood products offer an optional two speed blower to help deliver high efficiency heat to the far reaches of your home.

SPECIFICATIONS	F1100 SMALL	F2400 MEDIUM	S2400 MEDIUM	F3100 LARGE
Maximum BTU*	55,000	75,000	75,000	80,000
Typical Sq. Ft. Heated**	600-1200	1000-2200	1000-2200	2000-3500
Optimum Efficiency	77.7%	77%	77%	75.4%
Maximum Log Size	18"	18"	18"	21"
Burn Time (Typical)* up to	8 hrs	8 hrs	8 hrs	10 hrs
Emissions (grams/hr)	3.0g	3.4g	3.4g	4.2g
Firebox Size	1.4 cu. ft.	2.3 cu. ft.	2.3 cu. ft.	2.9 cu. ft.
Flue size	6"	6"	6"	6"

* Length of burn time and BTU range depend on type of wood, moisture content, climate conditions and installation.

** Varies depending on home floor plan, house layout, heat loss of the house and quality/moisture content of wood.



F2400 shown with pedestal and contemporary door.



S2400 shown with pedestal and nickel accent door.

BURN TIME
up to
8-10 HOURS*

STANDARD FEATURES

- EPA Certified
- Single rod air control
- High performance brick-lined firebox
- Clean glass airwash system
- Ceramic glass
- Rear heat deflector
- Mobile home and alcove approved
- Closest clearances in the industry



OPTIONS

- Cast iron door in black** or nickel accent
- Contemporary door in black
- Pedestal base
- Cast iron legs in black or brushed nickel
- Bottom heat shield (when using legs)
- Ash drawer
- 2 speed blower
- Screen door
- Convector airmate (F series only)
- Outside air kit

** Black door comes with nickel handles and nickel hinge caps



F2400 shown with pedestal and black door



F2400 shown with legs, nickel accent door and airmate



S2400 shown with pedestal and black door



Pro-Series F5100 wood stove.

PRO-SERIES WOOD STOVES | F5100 • F3500

BEST SIZE FOR AVERAGE LIVING AREAS - F5100

The F5100 wood stove lets you load an impressive 90 pounds of fuel. Sit back and enjoy consistent, controllable, beautiful heat for up to 30 hours without reloading. Its clean, classic design provides the perfect backdrop to the wideview cast door giving you a large fire view that will take your breath away!

THE CHOICE IS YOURS - F3500

For small to medium living areas, enjoy all of the fire power and styling of the F5100 in our F3500 compact model. One of the greatest assets of Eco-Boost technology is that you can enjoy a full, roaring fire with strong heat or use the single lever air control, conveniently located on the front of the stove to adjust the flame to enjoy lower heat and gorgeous glowing embers. The choice is yours!

SPECIFICATIONS	F5100	F3500
Technology	Eco-Boost	Eco-Boost
Maximum BTU*	80,000	75,000
Typical Sq. Ft. Heated**	1500-3000	1500-2500
Optimum Efficiency	85.48%	87.1%
Maximum Wood Load	90 lbs***	60 lbs***
Log Size	22"	20"
Burn Time (Typical)*	up to 30 hrs	up to 24 hrs
Emissions (grams/hr)	1.46g	1.1g
Firebox Size	4.42 cu. ft.	3.0 cu.ft.
Weight	561 lbs	416 lbs
Door Size	25" W x 16" H	21.75". W x 14.875" H
Viewing Area	180 sq. in.	180 sq. in.
Load Opening	20.125" W x 10" H	17.125". W x 7.983" H
Bypass Assembly	heavy cast iron	heavy cast iron
Air Control	single lever, easy front access	single lever, easy front access

* Length of burn time and BTU range depend on type of wood, moisture content, climate conditions and installation.

** Varies depending on home floor plan, house layout, heat loss of the house and quality/moisture content of wood.

*** Based on 8,500 BTUs per lbs.



Pro-Series F3500 wood stove.

BURN TIME
up to
24-30 HOURS*

STANDARD FEATURES

- EPA certified
- Eco-Boost™ Technology
- Single lever bypass damper to engage catalyst
- Single lever air control to adjust heat output
- Catalytic temperature gauge
- High performance brick-lined firebox
- Rear heat deflector
- Discreet ashlip
- Clean glass airwash system
- Contemporary cast iron door
- Ceramic glass
- 170° opening door for easy loading
- Heavy duty 3/16 in. steel firebox
- Positive cam latching system

OPTIONS

- Ash pan with cover
- Variable speed blower
- Convector airmate
- Outside air kit
- Mobile home kit (F3500, Canada only)

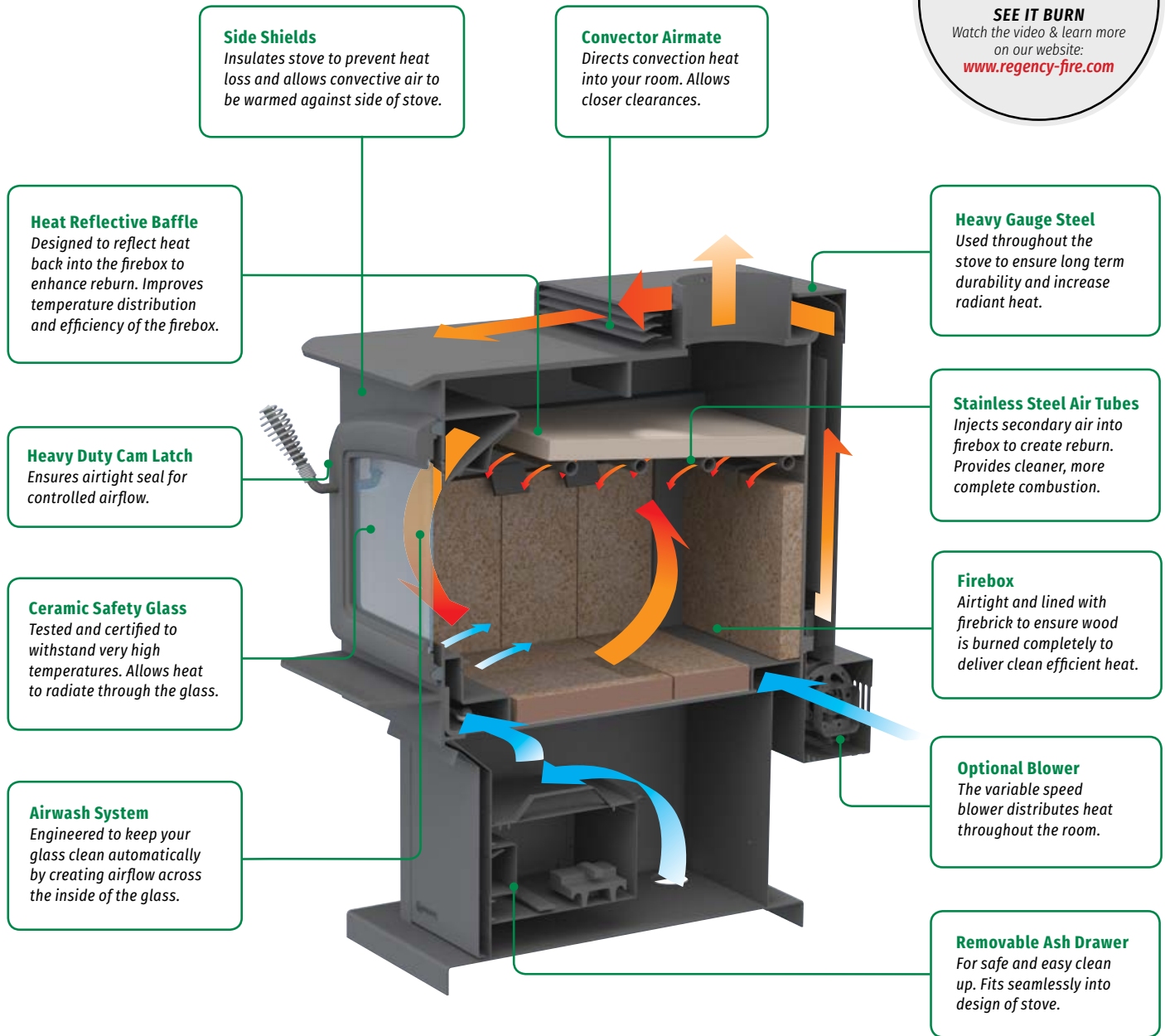


NON-CATALYTIC WOOD STOVE

FOR THE FOLLOWING UNITS:
F1100, F2400, F3100, S2400

HOW DOES **NON-CATALYTIC "2-STAGE BURN" TECHNOLOGY** WORK?

The airflow in the firebox is directed in such a way that fuel is burned in 2 stages. Once during initial combustion, and again when smoke is re-burned. This 2-stage burn creates greater efficiency, a spectacular fire to look at and results in cleaner emissions. By combining non-catalytic technology with durable construction, Regency builds wood fireplaces that are guaranteed to last.



*Not shown in diagram

CATALYTIC ECO-BOOST TECHNOLOGY

FOR THE FOLLOWING UNITS:
F5100 & F3500

HOW DOES **ECO-BOOST "3-STAGE BURN" TECHNOLOGY** WORK?

In addition to the 2-stage burn in typical fireplaces; in stage 3, the remaining unburned gases are fed through Regency's custom-designed catalytic combustor chamber. Boosting temperatures to an astonishing 1,000 degrees Fahrenheit, the system delivers a balance of higher efficiency, cleaner combustion, and maximum heat control – all with less wood, less loading, and less effort.



Secondary Air Tube

The secondary air tube, working with the catalyst, ensures the fuel is burned to its full potential; resulting in low emissions and high heat output.

Catalytic Combustor

Create consistent heat by slowly re-burning wood smoke particles that would normally go up the chimney.



Heavy Duty Stainless Steel Flame Shield

Provides better distribution of the flame over the catalyst and extends the life of the catalyst.

Airwash System

Keeps the glass clean and provides an excellent view of the fire.

Cool Touch Single Lever Air Control

Easily controls the heat output and intensity of the fire by adjusting the amount of air intake.

Largest Available Ash Pan

Concealed ash drawer that allows for easy clean up.

Combustion Air

Air from the room is drawn in for primary and secondary combustion.

Convactor Airmate

Optional airmate to help direct warm air further into the room.

Simple Temperature Thermometer

Indicates when to close the bypass lever and engage catalytic activity.

Heavy Duty Cast Damper

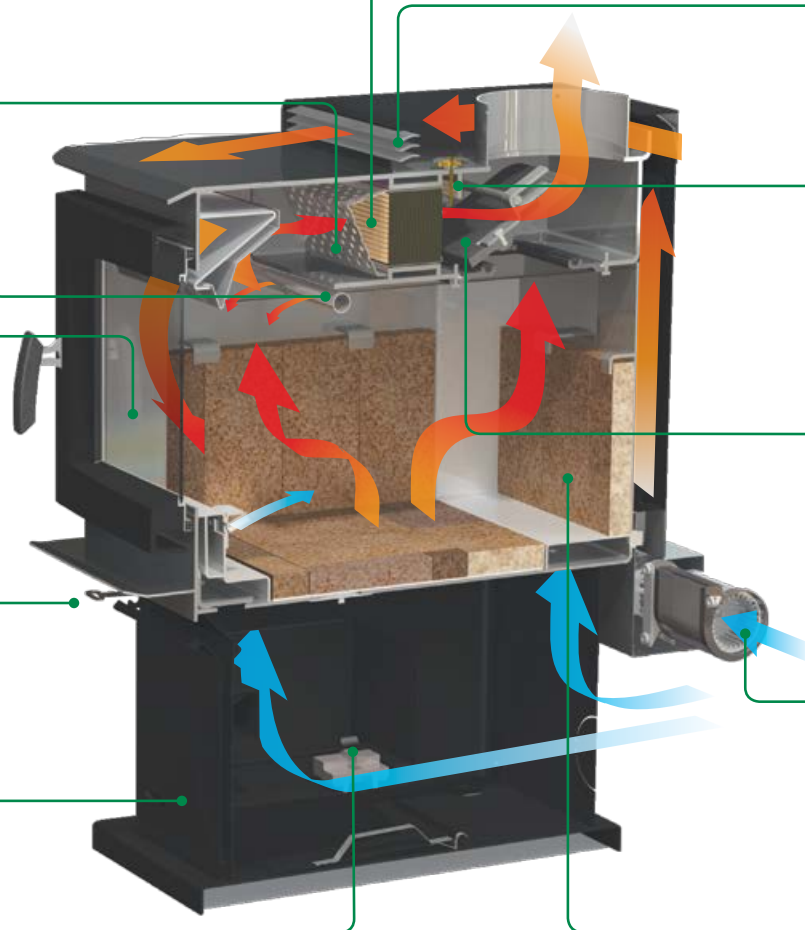
Used to close the damper & engage the catalytic combustor.

Optional Blower

The variable speed blower distributes heat throughout the room.

High Performance Bricks

Provide superior insulation and heat reflection.



*Not shown in diagram

Heavy Duty Cam Latch

Ensures airtight seal for controlled airflow.

ACCESSORIES

CONVENIENT ASH REMOVAL SYSTEM



Pull out drawer



Slide cover on top



Carry away

BASE OPTIONS



Brushed Nickel Cast Iron Legs



Black Cast Iron Legs



Black Pedestal

CAST IRON DOORS



Black Cast Iron Door
(includes nickel handle
and hinge caps)



Nickel Accent Cast Iron Door
(includes nickel handle
and hinge caps)



Contemporary Door
(includes cast handle
and hinge caps)

CONVECTOR AIRMATE



The convector airmate scoops super heated air from the back and top of the stove and directs it to the living area in front. This heat dispersion reduces temperatures behind the unit and allows it to be installed even closer to the wall.

SCREEN DOORS



For Regency Classic wood
stoves and inserts*



For R90 & EX90
wood fireplaces

* Note: Screen doors are not approved with the following wood units CS1200, C11250, C12600, F3500, F5100 or H2100.

POWERFUL BLOWER



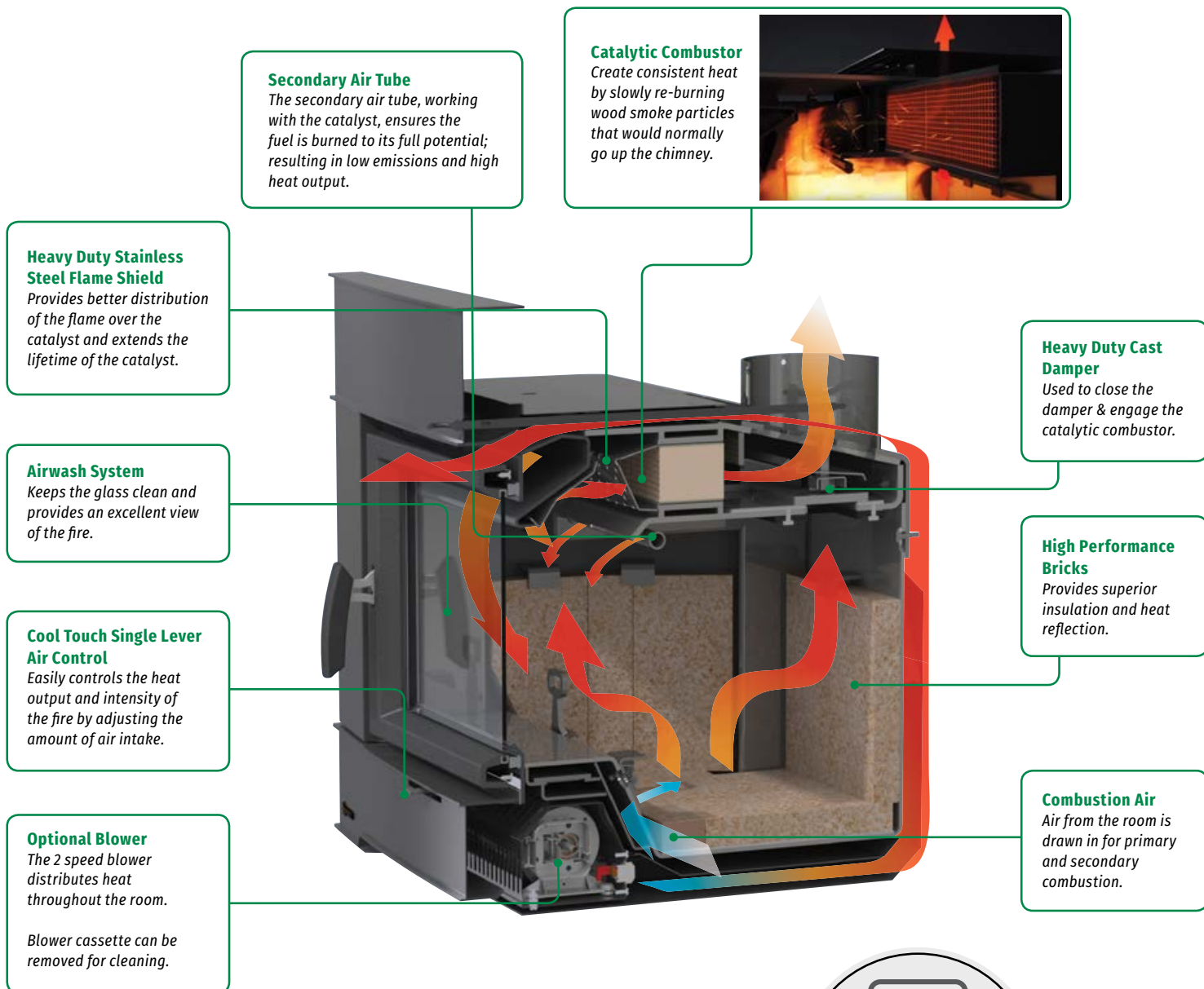
The blower can dramatically increase the circulation of heat in your home. It includes multiple speed settings and an automatic heat sensor which turns the blower on and off at predetermined temperatures.

CATALYTIC ECO-BOOST TECHNOLOGY

FOR THE FOLLOWING UNITS:
CI2600

HOW DOES **ECO-BOOST "3-STAGE BURN" TECHNOLOGY** WORK?

In addition to the 2-stage burn in typical fireplaces; in stage 3, the remaining unburned gases are fed through Regency's custom-designed catalytic combustor chamber. Boosting temperatures to an astonishing 1,000 degrees Fahrenheit, the system delivers a balance of higher efficiency, cleaner combustion, and maximum heat control – all with less wood, less loading, and less effort.



*Not shown in diagram

Heavy Duty Cam Latch
Ensures airtight seal for controlled airflow.

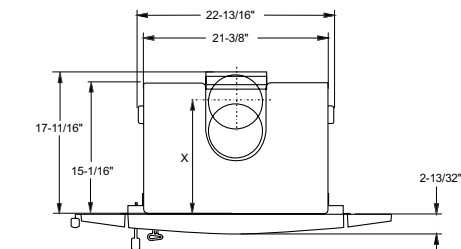


SEE IT BURN

Watch the video & learn more on our website:
www.regency-fire.com

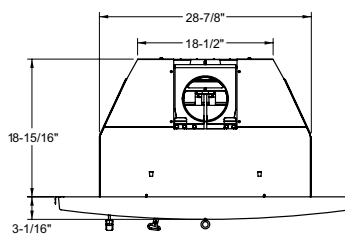
SPECIFICATIONS - WOOD INSERTS

C11250 TOP

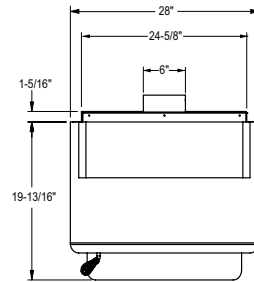


X: standard flue 9-5/8"
offset flue 14-1/8"

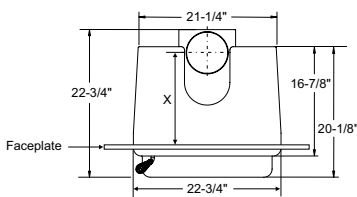
C12600 TOP



H2100 TOP

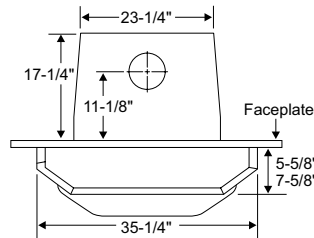


I1200 TOP



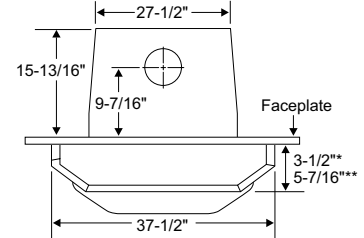
X: standard flue 8-1/4"
offset flue 12-3/4"

I2400 TOP



*To fuel door opening
**Top surface depth

I3100 TOP



*To fuel door opening
**Top surface depth

DIMENSIONS	C11250	C12600	I1200	I2400	I3100	H2100
Firebox Height	22-1/8"	21-1/2"	18-3/4"	20-7/8"	22-7/8"	22-1/2"
Height to top of Flue Collar	22-13/16"	23-1/2"	19-1/2"	20-7/8"	23-1/8"	20" (without legs) 28" (with legs)
Faceplate Width	35-15/16"	40"	38"	40"	44"	40-1/4"
Faceplate Height	25-3/4"	26"	26-3/8"	30"	32"	30"
Oversize Faceplate (W x H)	--	--	44" x 30-3/8"	48" x 33"	50" x 34-1/2"	48" x 33"

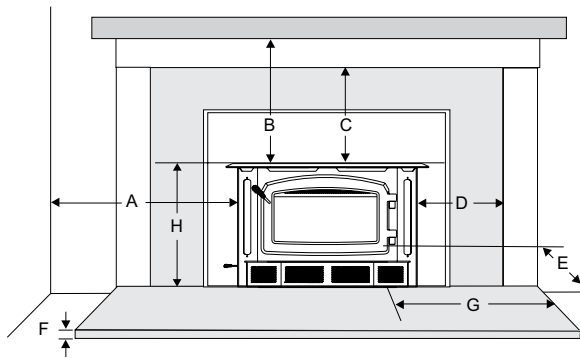
* including ashlip

SPECIFICATIONS	C11250	C12600	I1200	I2400	I3100	H2100
Maximum BTU*	55,000	77,000	55,000	75,000	80,000	70,000
Typical Sq. Ft. Heated**	600-1000	2,600	600-1000	1000-2000	1800-3000	800-1500
Optimum Efficiency	77.7%	86.1%	77.7%	77%	75.4%	84.9%
Maximum Log Size	18"	22"	18"	18"	21"	18"
Burn Time (Typical)*	up to 8 hrs	up to 14 hrs	up to 8 hrs	up to 8 hrs	up to 10 hrs	up to 8 hrs
Emissions (grams/hr)	3.0g	1.8g	3.0g	3.4g	4.2g	3.5g
Firebox Size	1.4 cu. ft.	2.6 cu. ft.	1.4 cu. ft.	2.3 cu. ft.	2.9 cu. ft.	1.6 cu. ft.
Flue Size	6"	6"	6"	6"	6"	6"

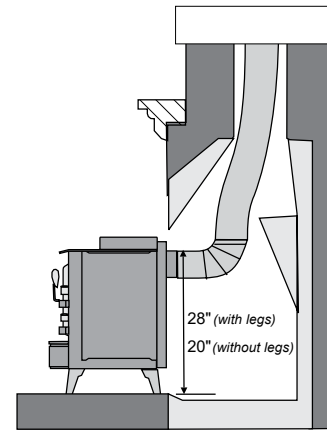
* Length of burn time and BTU range depend on type of wood, moisture content, climate conditions and installation.

** Varies depending on home floor plan, house layout, heat loss of the house and quality/moisture content of wood.

MINIMUM FIREPLACE OPENING	C11250	C12600	I1200	I2400	I3100	H2100
Width (front)	25"	28-13/16"	23"	25"	28"	--
Height	23"	21-3/4"	19"	21-1/2"	25"	20" (without legs) 28" (with legs)
Depth	(w/ standard flue adaptor)	15-1/16"	13-3/4"	17"	17"	--
	(w/ offset flue adaptor)	17-11/16"	--	16-1/2"	--	--



HEARTH HEATER MINIMUM FIREPLACE OPENINGS



Illustrates Hearth Heater with classic leg option.

Masonry & Factory Built Fireplace Clearances

The minimum required clearances to combustible materials when installed into a masonry fireplace are:

UNIT DIMENSIONS	ADJACENT SIDE WALL (TO SIDE)	MANTEL (TO TOP)	TOP FACING (TO TOP)	SIDE FACING (TO SIDE)	MIN. HEARTH EXTENSION*		MIN. HEARTH ELEVATION*	MIN. HEARTH SIDE WIDTH**	
	A	B	C	D	E (USA)	E (CANADA)	F	G (USA)	G (CANADA)
CI1250	15"	20"	14"	7-3/8"	16"	18"	1-1/2"	6"	8"
CI2600	12-3/16"	21-5/8"	14"	7-3/8"	16"	18"	1-1/2"	8"	8"
I1200	15"	20"	14"	7-3/8"	16"	18"	1-1/2"	6"	8"
I2400	11"	20"	12"	8"	16"	18"	1/2"	8"	8"
I3100	13"	19"	18"	6-1/2"	16"	18"	1-1/2"	6"	8"
H2100	10"	25"	14"	8-1/2"	16"	18"	1-1/2"	6"	8"

* Note: If the hearth extension is flush with the floor (item F) it must extend 19.5 in. in front of the body face (item E) (I1200, I3100 & H2100 only).

** Note: Hearth extension width (G) is measured from edge of fuel door to side of hearth.

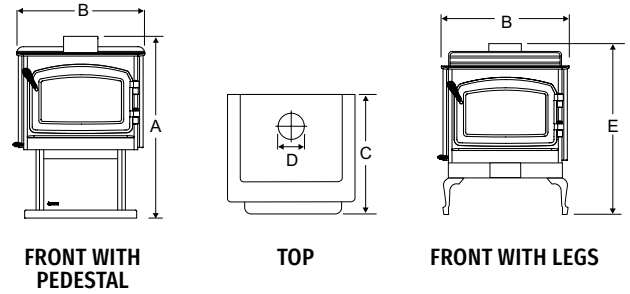
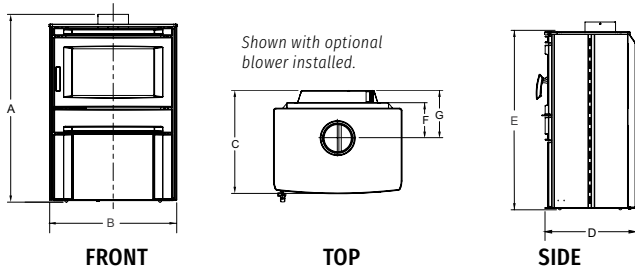
CUSTOMER CARE



Visit the Regency website for maintenance tips and how-to videos.

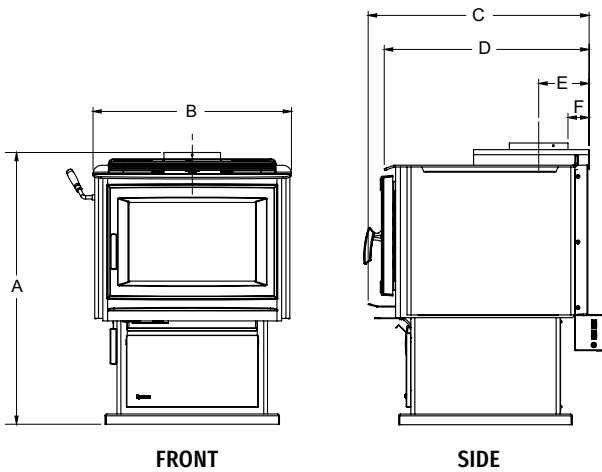
<http://www.regency-fire.com/Customer-Care.aspx>

SPECIFICATIONS - WOOD STOVES



UNIT	A	B	C	D	E	F	G
CS1200	39-9/16"	26-3/4"	21-3/4"	19-1/16"	37-13/16"	7-5/16"	9-15/16"

UNITS	A	B	C	D	E
F1100	32-3/16"	24"	20"	6"	31-11/16"
F2400	36-5/16"	24"	27-3/16"	6"	33-1/2"
S2400	36-5/16"	24"	27-5/16"	6"	35-7/8"
F3100	35-1/4"	28"	24-15/16"	6"	34-3/4"



UNITS	A	B	C	D	E	F
F3500	36"	26"	28"	25-5/8"	8-7/8"	5-3/4"
F5100	39-3/4"	29"	31-3/16"	28-15/16"	7-1/8"	3"

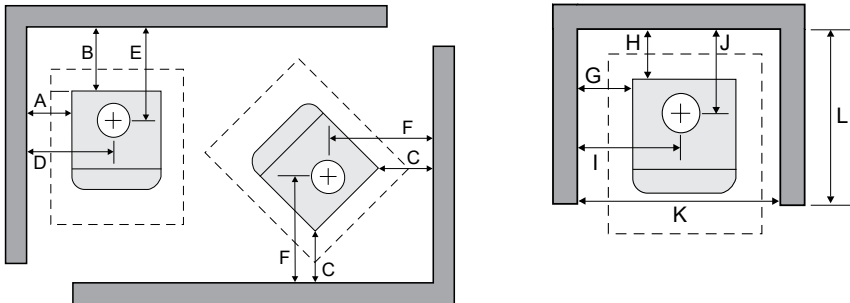
SPECIFICATIONS	CS1200	F1100	F2400	S2400	F3100	F3500	F5100
Maximum BTU*	55,000	55,000	75,000	75,000	80,000	75,000	80,000
Typical Sq. Ft. Heated**	600-1200	600-1200	1000-2200	1000-2200	2000-3500	1500-2500	1500-3000
Optimum Efficiency	77.7%	77.7%	77%	77%	75.4%	87.1%	85.48%
Maximum Log Size	18"	18"	18"	18"	21"	20"	22"
Burn Time (Typical)*	up to 8 hrs	up to 8 hrs	up to 8 hrs	up to 8 hrs	up to 10 hrs	up to 24 hrs	up to 30 hrs
Emissions (grams/hr)	3.0g	3.0g	3.4g	3.4g	4.2g	1.1g	1.46g
Firebox Size	1.4 cu. ft.	1.4 cu. ft.	2.3 cu. ft.	2.3 cu. ft.	2.9 cu. ft.	3.0 cu. ft.	4.42 cu. ft.
Flue Size	6"	6"	6"	6"	6"	6"	8"

* Length of burn time and BTU range depend on type of wood, climate conditions and installation.

** Varies depending on home floor plan, house layout, heat loss of the house and quality/moisture content of wood.

MINIMUM CLEARANCE TO COMBUSTIBLE MATERIALS

Please read the section below carefully as clearances depend on whether the optional airmate convector or the rear heat deflector is installed on the stove. Measurements "From Unit" are from the top plate of the stove to a side wall or to a corner, and from the rear heat shield to a back wall.



RESIDENTIAL INSTALLATION "C" VENT (SINGLE WALL)	FROM UNIT		FROM CORNER		FROM FLUE CENTER-LINE	
	A	B	C	D	E	F
Alterra CS1200	13"	11"	8"	26-3/8"	18-1/2"	20-3/4"
F1100	with AirMate	13"	11"	8"	25"	17-1/2"
	with Rear Deflector	15"	10-1/2"	11"	27"	17"
F2400	with AirMate	15"	5-1/2"	4"	27"	12"
	with Rear Deflector	15"	6-1/2"	6"	27"	13"
S2400	with Step Top	16"	11"	6"	28"	17-1/2"
F3100	with AirMate	18"	12"	8-1/2"	32"	18-1/2"
	with Rear Deflector	20"	14"	10-1/2"	34"	20-1/2"
F3500	with AirMate	11"	9-1/2"	8"	24"	16"
	with Rear Deflector	11"	9-1/2"	8"	24"	16"
F5100	Not approved					

These clearances are certified clearances for the stove, however, the clearance to the combustibles and the single wall stove pipe must also be maintained. You can reduce the stove pipe clearance with a stove pipe heat shield.

RESIDENTIAL CLOSE CLEARANCE (TO BE INSTALLED WITH REQUIRED PIPE COMPONENTS)

When the stove is installed as a close clearance residential unit, a listed double wall connector is required from the stove collar to the ceiling level.

RESIDENTIAL CLOSE CLEARANCE (TO BE INSTALLED WITH REQUIRED PIPE COMPONENTS)	FROM UNIT		FROM CORNER		FROM FLUE CENTER-LINE	
	A	B	C	D	E	F
Alterra CS1200	11"	7"	7"	24-1/2"	14-1/2"	19-3/4"
F1100	with AirMate	9"	5"	3"	21"	11-1/2"
	with Rear Deflector	13-1/2"	5"	5"	25-1/2"	11-1/2"
F2400	with AirMate	15"	5-1/2"	4"	27"	12"
	with Rear Deflector	15"	6-1/2"	6"	27"	13"
S2400	with Step Top	15"	5-1/2"	4"	27"	12"
F3100	with AirMate	16"	9-1/2"	8-1/2"	30"	16"
	with Rear Deflector	20"	12"	8-1/2"	34"	18-1/2"
F3500	with AirMate	11"	9-1/2"	8"	24"	16"
	with Rear Deflector	11"	9-1/2"	8"	24"	16"
F5100	with AirMate	11"	10"	8"	25-1/2"	17-1/8"
	with Rear Deflector	11"	10"	8"	25-1/2"	17-1/8"

MINIMUM ALCOVE CLEARANCE TO COMBUSTIBLE MATERIALS

The Regency® Freestanding models have been alcove approved and must be installed with a listed double wall connector to the ceiling level.

Note: Minimum alcove ceiling height: 83" for F5100 & F3500 and 84" for all other models

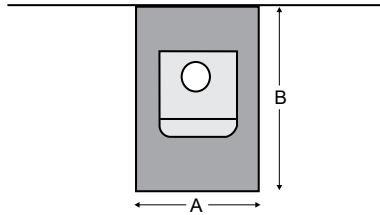
MINIMUM ALCOVE CLEARANCE	FROM UNIT		FROM FLUE CENTER-LINE		MIN. WIDTH	MAX. DEPTH
	G	H	I	J	K	L
Alterra CS1200	11"	7"	24-1/2"	14-1/2"	49-1/8"	39-1/4"
F1100	with AirMate	11"	7"	23"	13.5"	46"
	with Rear Deflector	13"	5"	25"	11.5"	50"
F2400	with AirMate	15"	5-1/2"	27"	12"	54"
	with Rear Deflector	15"	6-1/2"	27"	13"	54"
S2400	with Step Top	15"	5-1/2"	27"	12"	54"
F3100	with AirMate	16"	9.5"	30"	16"	60"
	with Rear Deflector	not approved for Alcove				
F3500	with AirMate	11"	9-1/2"	24"	16"	60"
	with Rear Deflector	11"	9-1/2"	24"	16"	60"
F5100	with AirMate	11"	10"	25-1/2"	17-1/8"	63"
	with Rear Deflector	11"	10"	25-1/2"	17-1/8"	63"

MOBILE HOME CLOSE CLEARANCE (TO BE INSTALLED WITH REQUIRED PIPE COMPONENTS)

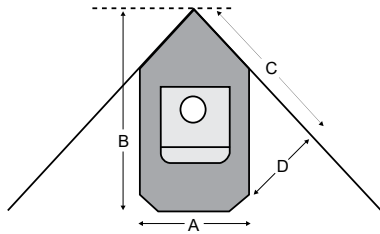
"C" Vent single wall pipe is not approved for mobile home installations. (Refer to mobile home instructions)

MOBILE HOME CLOSE CLEARANCE (TO BE INSTALLED WITH REQUIRED PIPE COMPONENTS)	FROM UNIT		FROM CORNER		FROM FLUE CENTER-LINE	
	A	B	C	D	E	F
Alterra CS1200	11"	7"	7"	24-1/2"	14-1/2"	19-3/4"
F1100	with AirMate	11"	6"	6"	23"	12-1/2"
	with Rear Deflector	13"	5"	9"	25"	11-1/2"
F2400	with AirMate	15"	5-1/2"	4"	27"	12"
	with Rear Deflector	15"	6-1/2"	6"	27"	13"
S2400	with Step Top	15"	5-1/2"	4"	27"	12"
F3100	with AirMate	18"	9-1/2"	10"	32"	16"
	with Rear Deflector	20"	12"	10"	34"	18-1/2"
F3500	with AirMate	11"	9-1/2"	8"	24"	16"
	with Rear Deflector	11"	9-1/2"	8"	24"	16"
F5100	with AirMate	11"	10"	8"	25-1/2"	17-1/8"
	with Rear Deflector	11"	10"	8"	25-1/2"	17-1/8"

WOOD STOVES - FLOOR PROTECTION



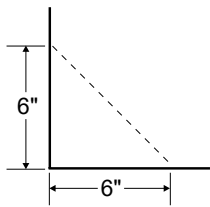
USA FLOOR PROTECTION FLUSH WALL HEARTH REQUIREMENTS		RESIDENTIAL "C" VENT		RESIDENTIAL CLOSE CLEARANCE		MOBILE HOME CLOSE CLEARANCE		ALCOVE		
		A	B	A	B	A	B	A	B	
Alterra CS1200		38-3/4"	39"	38-3/4"	39"	38-3/4"	39"	38-3/4"	39"	
F1100	with AirMate	38"	38"	38"	37"	38"	38"	38"	38"	
	with Rear Deflector	38"	38"	38"	37"	38"	37"	38"	37"	
F2400	with AirMate	36"	46"	36"	45"	36"	45"	36"	45"	
	with Rear Deflector	36"	46"	36"	45"	36"	45"	36"	45"	
S2400		with Step Top	36"	46"	36"	45"	36"	45"	36"	45"
F3100	with AirMate	42"	43"	42"	43"	42"	43"	42"	43"	
	with Rear Deflector	42"	43"	42"	43"	42"	43"	Not approved for alcove		
F3500		with Rear Deflector	42"	46-1/2"	42"	46-1/2"	42"	46-1/2"	42"	46-1/2"
F5100		with AirMate/Rear Deflector	Not approved		45"	49-1/8"	45"	49-1/8"	45"	49-1/8"



CANADA FLOOR PROTECTION FLUSH WALL HEARTH REQUIREMENTS		RESIDENTIAL "C" VENT		RESIDENTIAL CLOSE CLEARANCE		MOBILE HOME CLOSE CLEARANCE		ALCOVE		
		A	B	A	B	A	B	A	B	
Alterra CS1200		42-3/4"	43"	42-3/4"	43"	42-3/4"	43"	42-3/4"	43"	
F1100	with AirMate	38"	38"	38"	37"	38"	38"	38"	38"	
	with Rear Deflector	38"	38"	38"	37"	38"	37"	38"	37"	
F2400	with AirMate	36"	46"	36"	45"	36"	45"	36"	45"	
	with Rear Deflector	36"	46"	36"	45"	36"	45"	36"	45"	
S2400		with Step Top	36"	46"	36"	45"	36"	45"	36"	45"
F3100	with AirMate	42"	43"	42"	43"	42"	43"	42"	43"	
	with Rear Deflector	42"	43"	42"	43"	42"	43"	Not approved for alcove		
F3500		with AirMate/Rear Deflector	42"	48-1/2"	42"	48-1/2"	42"	48-1/2"	42"	48-1/2"
F5100		with AirMate/Rear Deflector	Not approved		45"	53-1/8"	45"	53-1/8"	45"	53-1/8"

CORNER INSTALLATIONS

If the rear clearance to combustibles is less than 6", for corner installations the corners may be angled to take advantage of the closer clearances.



For angled corners

USA FLOOR PROTECTION CORNER HEARTH REQUIREMENTS		RESIDENTIAL "C" VENT				RESIDENTIAL CLOSE CLEARANCE				MOBILE HOME CLOSE CLEARANCE				
		A	B	C	D	A	B	C	D	A	B	C	D	
Alterra CS1200		38-3/4"	53"	47-1/2"	20-3/8"	38-1/2"	53"	47-1/4"	20-3/8"	38-1/2"	53"	47-1/4"	20-3/8"	
F1100	with AirMate	36"	52-3/4"	45-3/4"	21-1/4"	36"	47-3/4"	40-3/4"	16-1/4"	36"	50-3/4"	43-3/4"	19-1/4"	
	with Rear Deflector	36"	57-1/4"	49-1/2"	25"	36"	49-3/4"	42-3/4"	18-1/4"	36"	58-1/4"	50-1/4"	26"	
F2400	with AirMate	36"	57-1/2"	53-1/2"	26-1/2"	36"	55"	52-1/2"	24-3/4"	36"	55"	52-1/4"	24-3/4"	
	with Rear Deflector	36"	58"	54"	27"	36"	57-1/2"	53-1/2"	27"	36"	57-1/2"	53-1/2"	27"	
S2400		with Step Top	36"	57-1/2"	53-1/2"	26-1/2"	36"	55"	52-1/2"	24-3/4"	36"	55"	52-1/4"	24-3/4"
F3100	with AirMate	40"	60-3/4"	53"	24-1/4"	40"	60-3/4"	53"	24-1/4"	40"	60-1/4"	54-1/2"	24-1/4"	
	with Rear Deflector	40"	63-1/2"	53-1/2"	26-1/4"	40"	60-3/4"	53"	24-1/4"	40"	63"	54-1/2"	24-1/4"	
F3500		with AirMate/Rear Deflector	42"	63"	55-1/8"	25-1/2"	42"	63"	55-1/8"	25-1/2"	42"	63"	46-1/2"	25-1/2"
F5100		with AirMate/Rear Deflector	Not approved				45"	67-1/2"	59-1/2"	27-9/16"	45"	67-1/2"	59-1/2"	27-9/16"

FLOOR PROTECTION

A combustible floor must be protected by non-combustible material (like tile, concrete board, or certified to UL-1618 or as defined by local codes) extending beneath the heater and a minimum of 8" for F5100 or 6" for all other models (USA) or 8" (250mm) (Canada) from each side and minimum 16" (USA) or 18" (450mm) (Canada) from the front face of stove and minimum of 8" for F5100 or 6" (USA) or 8" (250mm) (Canada) or the rear clearance to combustibles, whichever is smaller, from the rear of the stove.

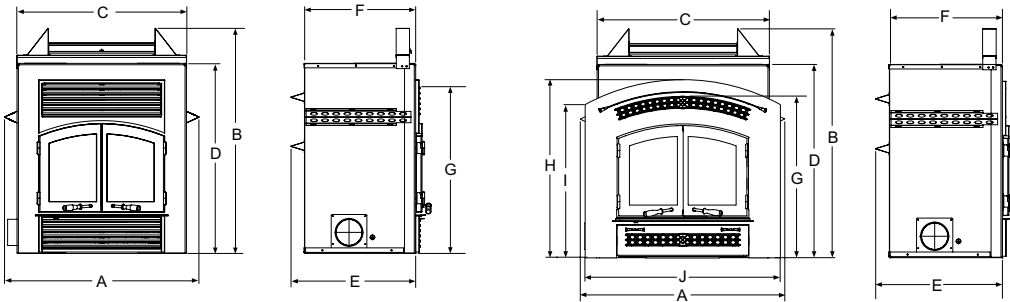
When installed with horizontal venting, non-combustible floor protection must be installed beneath the flue pipe and extend 2" (51mm) beyond each side.

CANADA FLOOR PROTECTION CORNER HEARTH REQUIREMENTS		RESIDENTIAL "C" VENT				RESIDENTIAL CLOSE CLEARANCE				MOBILE HOME CLOSE CLEARANCE				
		A	B	C	D	A	B	C	D	A	B	C	D	
Alterra CS1200		42-3/4"	55"	48"	21-5/8"	42-3/4"	55"	48"	21-5/8"	42-3/4"	55"	48"	21-5/8"	
F1100	with AirMate	40"	54-3/4"	47-3/4"	19-1/4"	40"	49-3/4"	42-3/4"	14-1/4"	40"	52-3/4"	45-3/4"	17-1/4"	
	with Rear Deflector	40"	59-1/4"	51-1/4"	23"	40"	51-3/4"	44-3/4"	16-1/4"	40"	60-1/4"	52-1/4"	24"	
F2400	with AirMate	40"	59-1/2"	55-1/2"	28-1/2"	40"	57"	54-1/2"	26-3/4"	40"	57"	54-1/4"	26-3/4"	
	with Rear Deflector	40"	60"	56"	29"	40"	59-1/2"	55-1/2"	29"	40"	59-1/2"	55-1/2"	29"	
S2400		with Step Top	40"	59-1/2"	55-1/2"	28-1/2"	40"	57"	54-1/2"	26-3/4"	40"	57"	54-1/4"	26-3/4"
F3100	with AirMate	44"	62-3/4"	55"	22-1/4"	44"	62-3/4"	55"	22-1/4"	44"	62-1/4"	56-1/2"	22-1/4"	
	with Rear Deflector	44"	65-1/2"	55-1/2"	24-1/4"	44"	62-3/4"	55"	22-1/4"	44"	65"	56-1/2"	22-1/4"	
F3500		with AirMate/Rear Deflector	42"	65"	56-9/16"	26-3/4"	42"	65"	56-9/16"	26-3/4"	42"	65"	56-9/16"	26-3/4"
F5100		with AirMate/Rear Deflector	Not approved				45"	69-1/2"	60-7/8"	29"	45"	69-1/2"	60-7/8"	29"

SPECIFICATIONS - WOOD FIREPLACES

R90

EX90

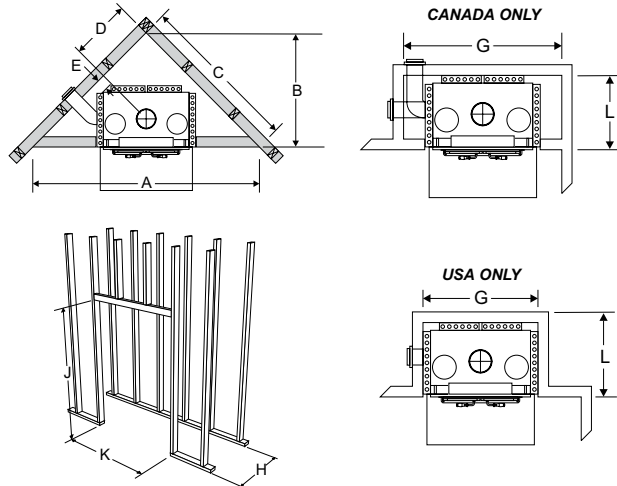


DIMENSIONS	R90	EX90
A	43-5/8"	43-5/8"
B	50-1/2"	50-1/2"
C	38"	38"
D	42-5/8"	42-5/8"
E	28"	28"
F	25"	25"
G	37-3/8"	29-1/8"
H	--	38-3/4"
I	--	33-3/4"
J	--	43"

FRAMING

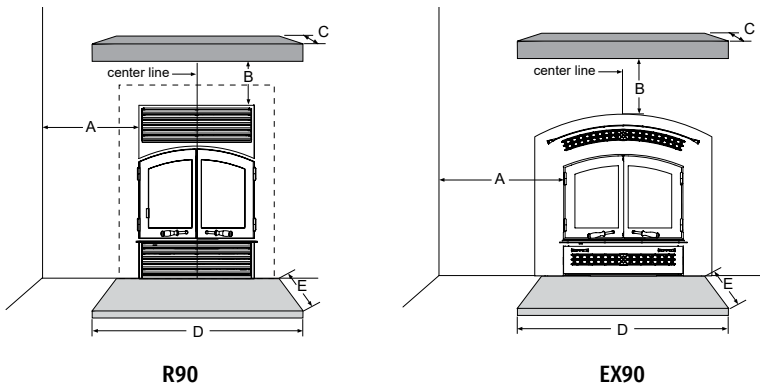
SPECIFICATIONS	R90	EX90
Maximum BTU*	70,000	70,000
Typical Sq. Ft. Heated**	1,000-2,200	1,000-2,200
Efficiency (EPA)	77.4%	77.4%
Maximum Log Size	20"	20"
Burn Time (Typical)*	up to 8 hrs	up to 8 hrs
Emissions (grams/hr)	3.72g	3.72g
Firebox Size	2.5 cu. ft.	2.5 cu. ft.
Flue Size	8"	8"

* Length of burn time and BTU range depend on type of wood, moisture content, climate conditions and installation.
 ** Varies depending on home floor plan, house layout, heat loss of the house and quality/moisture content of wood.



FRAMING	USA	CANADA
A	96-1/4"	115-3/8"
B	48-1/2"	57-5/8"
C	68"	81-1/2"
D	24-1/2"	31-1/4"
E	3"	9-3/4"
G	44"	60"
H	28"	28"
J	50-3/4"	50-3/4"
K	44"	44"
L	28"	28"

CLEARANCE TO COMBUSTIBLES



MINIMUM CLEARANCE TO COMBUSTIBLES R90 / EX90	USA	CANADA
A Side Wall From Louver Opening	18"	24"
B Mantel Height (min.) From Louver Opening	18"	18"
C Mantel Depth (max.)	10"	10"

*EX90 measured prior to surround being installed.

NON-COMBUSTIBLE HEARTH REQUIREMENT		
D	Hearth Width	40"
E	Hearth Depth	18"

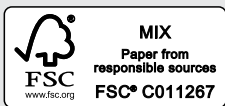
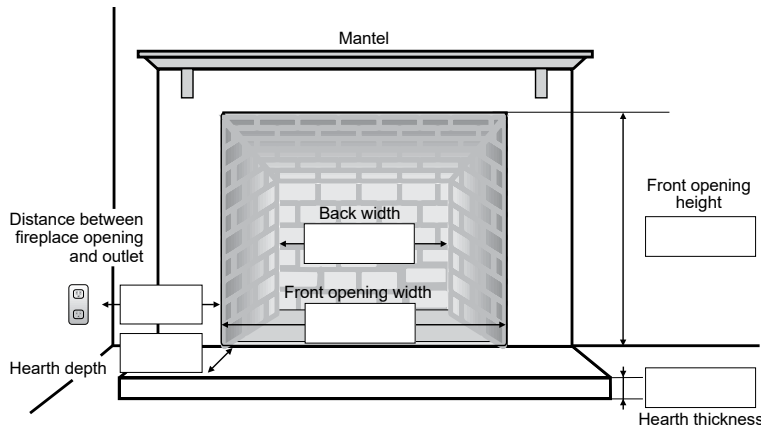
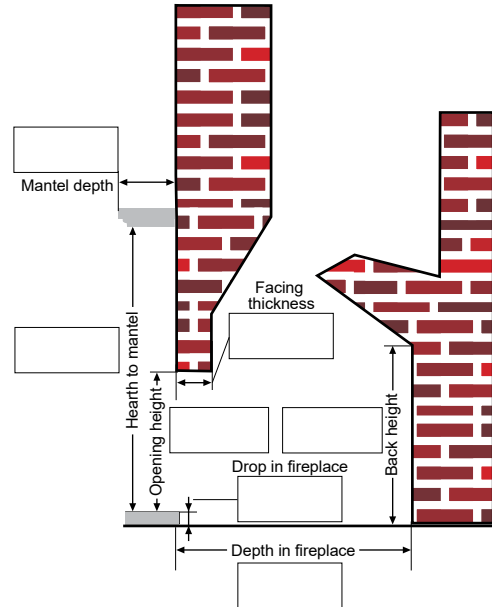
US only: Chase must be ventilated with one 30 square inch vent grill. The vent grill must draw air from inside the home and not from outside.

FIREPLACE SELECTION WORKSHEET

We want you to enjoy your beautiful Regency fireplace for years to come. To help you figure out which product is just right for your home, fill in the following worksheet. Once complete, visit your nearest Regency dealer. Your professional Regency dealer will assess your needs - including local building codes - and install your Regency.

1. BASIC PRODUCT FUNCTION QUESTIONS	
a. I would like my unit to provide me with:	<input type="checkbox"/> Supplemental heating <input type="checkbox"/> Priority heating
b. The room/rooms I would like to heat are:	sq. ft.

2. FIREPLACE PRODUCT TYPE AND MEASUREMENTS	
a. I am:	<input type="checkbox"/> Installing a new fireplace <input type="checkbox"/> Installing into an existing fireplace
b. Fill in the following measurements:	Ceiling Height:
	Location in the room:
c. What is the:	Flooring material:
	Wall material:
	Ceiling material:
d. Fireplace opening dimensions:	Width (front):
	Width (back):
	Height:
	Depth:



www.regency-fire.com

© 2016 FPI Fireplace Products International Ltd. Regency, Alterra are registered or proprietary trademarks of FPI Fireplace Products International Ltd. All rights reserved. Flue adaptor patent #7784458. (07/16) Part no. 944-218

your Regency dealer