



# Regency Horizon® HZ40E Gas Fireplace

Owners &  
Installation Manual

MODELS: HZ40E-NG10 Natural Gas  
HZ40E-LP10 Propane



[www.regency-fire.com](http://www.regency-fire.com)



Horizon HZ40E Product Video

## **⚠ WARNING**

### **FIRE OR EXPLOSION HAZARD**

Failure to follow safety warnings exactly could result in serious injury, death, or property damage.

- Do not store or use gasoline or other flammable vapors and liquids in the vicinity of this or any other appliance.
- **WHAT TO DO IF YOU SMELL GAS**
  - Do not try to light any appliance.
  - Do not touch any electrical switch: do not use any phone in your building. Leave the building immediately.
  - Immediately call your gas supplier from a neighbour's phone. Follow the gas supplier's instructions.
  - If you cannot reach you gas supplier, call the fire department.
- Installation and service must be performed by a qualified installer, service agency or the gas supplier.

Tested by:



**Installer:** Please complete the details on the back cover and leave this manual with the homeowner.  
**Homeowner:** Please keep these instructions for future reference.

## MANUFACTURED MOBILE HOME REQUIREMENTS

### INFORMATION FOR MOBILE/MANUFACTURED HOMES AFTER FIRST SALE

This Regency® product has been tested and listed by Warnock Hersey/Intertek as a Direct Vent Wall Furnace to the following standards: VENTED GAS FIREPLACE HEATERS ANSI Z21.88-2014 / CSA 2.33-2014 and GAS-FIRED APPLIANCES FOR USE AT HIGH ALTITUDES CAN / CGA 2.17-M91.

This appliance may only be installed in an aftermarket permanently located, manufactured (U.S.A only) or mobile home, where not prohibited by local codes.

This Direct Vent System Appliance must be installed in accordance with the manufacturer's installation instructions and the Manufactured Home Construction and Safety Standard, Title 24 CFR, Part 3280, or the current Standard of Fire Safety Criteria for Manufactured Home Installations, Sites, and Communities ANSI/NFPA 501A, and with CAN/CSA Z240-MH Mobile Home Standard in Canada.

This appliance installation must comply with the manufacturer's installation instructions and local codes, if any. In the absence of local codes follow the current National Fuel Gas Code, ANSI Z223.1 and the current National Electrical Code ANSI/NFPA 70 in the U.S.A., and the current CAN/CGA B149 Gas Installation Code and the current Canadian Electrical Code CSA C22.1 in Canada.

This appliance comes equipped with a dedicated #8 Ground Lug for attachment of the ground wire to the steel chassis as applicable to local codes.

The appliance, when installed, must be electrically grounded in accordance with local codes or, in the absence of local codes, with the National Electrical Code, ANSI/NFPA 70, or the Canadian Electrical Code, CSA C22.1.

This appliance can only be used with the type of gas indicated on the rating plate.  
This appliance is not convertible for use with other gases.

Ensure that structural members are not cut or weakened during installation.

This appliance may be installed as an OEM installation in a manufactured home (USA only) or mobile home and must be installed in accordance with the manufacturer's instruction and the *Manufactured Home Construction and Safety Standard, Title 24 CFR, Part 3280*, in the United States, or the Standard for Installation in Mobile Homes, *CAN/CSA Z240 MH*, in Canada.


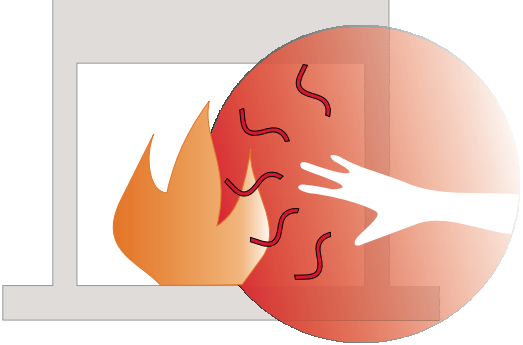


Regency Horizon Gas Inserts Video

**To the New Owner:**

Congratulations!

You are the owner of a state-of-the-art Gas Fireplace by REGENCY®. The HZ40E has been designed to provide you with all the warmth and charm of a fireplace at the flick of a switch. The model HZ40E has been approved by Warnock Hersey/Intertek for both safety and efficiency. As it also bears our own mark, it promises to provide you with economy, comfort and security for many trouble free years to follow. Please take a moment now to acquaint yourself with these instructions and the many features of your Regency® Fireplace.

 <h1 style="margin: 0;">DANGER</h1>	
	<p><b>HOT GLASS WILL CAUSE BURNS</b></p> <p><b>DO NOT TOUCH GLASS UNTIL COOLED</b></p> <p><b>NEVER ALLOW CHILDREN TO TOUCH GLASS</b></p>
<p>A barrier designed to reduce the risk of burns from the hot viewing glass is provided with this appliance and shall be installed for the protection of children and other at risk individuals.</p>	
<p><b>CAUTION:</b>  <b>HOT WHILE IN OPERATION. DO NOT TOUCH.</b>  <b>SEVERE BURNS MAY RESULT. KEEP CHILDREN, CLOTHING, FURNITURE,</b>  <b>GASOLINE, AND ANY LIQUIDS WITH FLAMMABLE VAPOURS AWAY.</b></p> <p><b>KEEP BURNER AND CONTROL COMPARTMENT CLEAN.</b>  <b>SEE INSTALLATION AND OPERATING INSTRUCTIONS ACCOMPANYING</b>  <b>APPLIANCE.</b></p>	
<small>919-358</small>	

## 4 | table of contents

### Installation

Copy of Safety Decal .....	5
MA Code - CO Detector .....	6
Important Message .....	8
Before You Start.....	8
General Safety Information.....	8
Installation Checklist.....	9
Locating Your Gas Fireplace.....	9
Heatwave Duct System .....	9
Heat Release kit .....	9
Clearances .....	10
Mantel Clearances.....	11
Mantel Leg Clearances.....	11
Unit Assembly Prior To Installation .....	12
Nailing Strips .....	12
Installation Access panel .....	12
Framing Dimensions.....	13
Optional Framing kit.....	14
Wall mount On / Off Switch and remote receiver installation.....	15
Non-Combustible Requirements.....	16
Non-combustible facing installation .....	16
Framing & Finishing.....	17
Exterior Vent Termination Requirements .....	19
4" x 6-5/8" Rigid Pipe .....	20
Cross Reference Chart only .....	20
Vent Restrictor Position .....	22
Venting Introduction.....	23
Venting Arrangement for Horizontal Terminations .....	23
Horizontal Terminations .....	24
Flex Vent 4" x 6-7/8" .....	24
Horizontal terminations.....	25
Rigid Pipe 4" x 6-5/8".....	25
Horizontal Terminations .....	26
Rigid Pipe 4" x 6-5/8".....	26
Vertical terminations.....	29
Rigid Pipe 4" x 6-5/8".....	29
Venting Arrangement for Vertical Terminations .....	30
Vertical Termination with Co-Linear Flex System .....	31
Vertical Terminations .....	32
Rigid Pipe 4" x 6-5/8".....	32
Venting Arrangements - Vertical Terminations .....	34
Unit Installation with Horizontal Termination .....	35
4" x 6-5/8" venting .....	35
Unit Installation with Horizontal Termination .....	36
Dura-Vent Horizontal terminations.....	37
Unit installation with Vertical Termination.....	38

4" x 6-5/8" venting .....	38
Vertical Termination .....	39
4" x 6-5/8" venting .....	39
Flex vent components.....	40
High Elevation.....	41
Gas Line Installation.....	41
Pilot Adjustment.....	41
Gas Pipe Pressure Testing .....	41
885 S.I.T. Valve Description .....	41
Aeration Adjustment .....	41
Wiring diagram .....	42
Optional fan Installation - initial install .....	43
Optional fan Installation - existing install.....	45
Wiring diagram with optional fan .....	48
Optional wall thermostat installation.....	49
Inner Panel Installation .....	50
Glass Crystals or optional stones.....	51
Installation On Burner.....	51
Optional Pebbles / Glass crystal Installation for Firebox Base (around burner) .....	51
Optional driftwood Log set Installation.....	52
Glass door Installation .....	54
Safety screen/inner door frame removal/ Installation ..	55
Verona / 4 piece faceplate installation .....	56
Outer door frame installation .....	57

### Operating Instructions

Operating Instructions .....	58
First Fire .....	58
Normal Operating Sounds of Gas Appliances.....	58
Lighting Procedure .....	59
Copy of Lighting Plate Instructions .....	60

### Maintenance

Maintenance Instructions .....	61
Glass Gasket .....	61
Glass Door.....	61
Glass Replacement .....	61
General Vent Maintenance .....	61
Valve assembly Replacement.....	62

### Parts

Main Assembly .....	63
Accessories .....	64

### Warranty

Warranty .....	66
----------------	----



This is a copy of the label that accompanies each HZ40E-NG10 and HZ40E-LP10 Direct Vent Gas Fireplace. We have printed a copy of the contents here for your review.

**NOTE:** Regency® units are constantly being improved. Check the label on the unit and if there is a difference, the label on the unit is the correct one.

**COPY OF SAFETY DECAL**

Duplicate S/N

412



Listed: VENTED GAS FIREPLACE HEATER / FOYER AU GAZ À ÉVACUATION **DO NOT REMOVE THIS LABEL / NE PAS ENLEVER CETTE ÉTIQUETTE**  
 Certified for/Certifiée pour: CANADA and U.S.A.  
 Tested to: CAN/CGA-2.17-M91(R2009)  
 Conforms to: ANSI Z21.88-2014  
 Certified to: CSA 2.33-2014  
**MAY BE INSTALLED IN MANUFACTURED (MOBILE) HOMES AFTER FIRST SALE.**

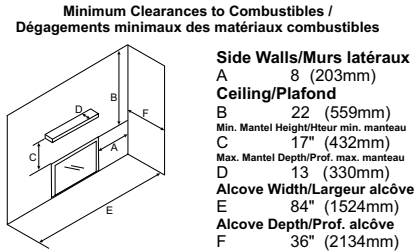


Serial No./ No de série

412

**NATURAL GAS: Model HZ40E-NG10**  
 Minimum supply pressure 5.0" WC/C.E. (1.25 kPa)  
 Manifold pressure 3.5" WC/C.E. (0.87 kPa)  
 Orifice size #40 DMS  
 Maximum input 26,000 Btu/h (7.61 kW)  
 Minimum input 18,000 Btu/h (5.28 kW)  
 Altitude 0-4500 ft/pi (0-1372 m)

**APPAREIL FONCTIONNANT AU GAZ NATUREL  
 Modèle HZ40E-NG10**  
 Pression d'alimentation minimum  
 Pression de sortie (manifold)  
 Taille de l'orifice  
 Débit calorifique maximum et  
 Débit calorifique minimum selon  
 l'altitude



**PROPANE GAS: Model HZ40E-LP10**  
 Minimum supply pressure 11 WC (2.73 kPa)  
 Manifold pressure 10" WC/C.E. (2.49 kPa)  
 Orifice size #53 DMS  
 Maximum input 25,500 Btu/h (7.47 kW)  
 Minimum input 21,000 Btu/h (6.15 kW)  
 Altitude 0-4500 ft/pi (0-1372 m)

**APPAREIL FONCTIONNANT AU GAZ PROPANE  
 Modèle HZ40E-LP10**  
 Pression d'alimentation minimum  
 Pression de sortie (manifold)  
 Taille de l'orifice  
 Débit calorifique maximum et  
 Débit calorifique minimum selon  
 l'altitude

**DOOR SEAL: Please  
 check that the door is  
 properly sealed**

(See Instruction Manual for  
 detailed instructions)

This appliance must be installed in accordance with local codes, if any; if none, follow the National Fuel Gas Code, ANSI Z223.1, or Natural Gas and Propane Installation Code, CSA B149.1. This appliance must be installed in accordance with the Standard CAN/CSA Z240 MH, Mobile Housing, in Canada, or with the Manufactured Home Construction and Safety Standard, Title 24 CFR, Part 3280, in the United States, or when such a standard is not applicable, ANSI/NCSBCS A225.1/NFPA 501A, Manufactured Home Installations Standard or ANSI A119.2 or NFPA 501C Standard for Recreational Vehicles. This appliance is only for use with the type of gas indicated on the rating plate and may be installed in an aftermarket, permanently located, manufactured (mobile) home where not prohibited by local codes. See owner's manual for details. This appliance is not convertible for use with other gases, unless a certified kit is used.  
 Installer l'appareil selon les codes ou règlements locaux, ou, en l'absence de tels règlements, selon les codes d'installation ANSI Z223.1, National Fuel Gas Code ou CSA-B149.1 en vigueur.  
 Installer l'appareil selon la norme CAN/CSA-Z240, Série MM, Maison mobiles ou CAN/CSA-Z240 VC, Véhicules de camping, ou la norme 24 CFR Part 3280, Manufactured Home Construction and Safety Standard. Si ces normes ne sont pas pertinentes, utilisez la norme ANSI/NCSBCS A225.1/NFPA 501A, Manufactured Home Installations Standard, ou ANSI A119.2 ou NFPA 501C Standard for Recreational Vehicles.  
 Cet appareil doit être utilisé uniquement avec le type de gaz indiqué sur la plaque signalétique. Cet appareil peut être installé dans une maison préfabriquée ou mobile (É.-U. seulement) installée à demeure si les règlements locaux le permettent. Voir la notice de l'utilisateur pour plus de renseignements. Cet appareil n'est pas convertible pour une utilisation avec d'autres gaz, sauf si une trousse certifiée est utilisée.  
**This vented gas fireplace heater is not for use with air filters. Ne pas utiliser de filtre à air avec ce foyer au gaz à évacuation.**  
**FOR USE WITH GLASS DOORS CERTIFIED WITH THE APPLIANCE ONLY. DOIT ÊTRE UTILISÉ UNIQUEMENT AVEC LES PORTES VITRÉES CERTIFIÉES AVEC L'APPAREIL.**  
**For Use Only with Barrier (Part # 258-013) Follow installation instructions. Utiliser uniquement avec un écran de protection (n°258-013). Suivre les consignes d'installation.**  
 Fan (Part # 258-917)/Ventilateur (pièce n°258-917)  
 Electrical supply / Alimentation électrique 115VAC, 1.13 A, 60Hz.  
**FPI Fireplace Products International Ltd. Delta, BC, Canada**  
**NOT FOR USE WITH SOLID FUELS. / NE PAS UTILISER AVEC UN COMBUSTIBLE SOLIDE.** Made in Canada/ Fabriqué au Canada 919-361

For the State of Massachusetts, installation and repair must be done by a plumber or gasfitter licensed in the Commonwealth of Massachusetts.

For the State of Massachusetts, flexible connectors shall not exceed 36 inches in length.

For the State of Massachusetts, the appliances individual manual shut-off must be a t-handle type valve.

The State of Massachusetts requires the installation of a carbon monoxide alarm in accordance with NFPA 720 and a CO alarm with battery back up in the same room where the gas appliance is installed.

**MA Code - CO Detector**  
**(for the State of Massachusetts only)**

5.08: Modifications to NFPA-54, Chapter 10

(2) Revise 10.8.3 by adding the following additional requirements:

(a) For all side wall horizontally vented gas fueled equipment installed in every dwelling, building or structure used in whole or in part for residential purposes, including those owned or operated by the Commonwealth and where the side wall exhaust vent termination is less than seven (7) feet above finished grade in the area of the venting, including but not limited to decks and porches, the following requirements shall be satisfied:

1. **INSTALLATION OF CARBON MONOXIDE DETECTORS.** At the time of installation of the side wall horizontal vented gas fueled equipment, the installing plumber or gasfitter shall observe that a hard wired carbon monoxide detector with an alarm and battery back-up is installed on the floor level where the gas equipment is to be installed. In addition, the installing plumber or gasfitter shall observe that a battery operated or hard wired carbon monoxide detector with an alarm is installed on each additional level of the dwelling, building or structure served by the side wall horizontal vented gas fueled equipment. It shall be the responsibility of the property owner to secure the services of qualified licensed professionals for the installation of hard wired carbon monoxide detectors

a. In the event that the side wall horizontally vented gas fueled equipment is installed in a crawl space or an attic, the hard wired carbon monoxide detector with alarm and battery back-up may be installed on the next adjacent floor level.

b. In the event that the requirements of this subdivision can not be met at the time of completion of installation, the owner shall have a period of thirty (30) days to comply with the above requirements; provided, however, that during said thirty (30) day period, a battery operated carbon monoxide detector with an alarm shall be installed.

2. **APPROVED CARBON MONOXIDE DETECTORS.** Each carbon monoxide detector as required in accordance with the above provisions shall comply with NFPA 720 and be ANSI/UL 2034 listed and IAS certified.

3. **SIGNAGE.** A metal or plastic identification plate shall be permanently mounted to the exterior of the building at a minimum height of eight (8) feet above grade directly in line with the exhaust vent terminal for the horizontally vented gas fueled heating appliance or equipment. The sign shall read, in print size no less than one-half (1/2) inch in size, "**GAS VENT DIRECTLY BELOW. KEEP CLEAR OF ALL OBSTRUCTIONS**".

4. **INSPECTION.** The state or local gas inspector of the side wall horizontally vented gas fueled equipment shall not approve the installation unless, upon inspection, the inspector observes carbon monoxide detectors and signage installed in accordance with the provisions of 248 CMR 5.08(2)(a)1 through 4.

(b) **EXEMPTIONS:** The following equipment is exempt from 248 CMR 5.08(2)(a)1 through 4:

1. The equipment listed in Chapter 10 entitled "Equipment Not Required To Be Vented" in the most current edition of NFPA 54 as adopted by the Board; and

2. Product Approved side wall horizontally vented gas fueled equipment installed in a room or structure separate from the dwelling, building or structure used in whole or in part for residential purposes.

(c) **MANUFACTURER REQUIREMENTS - GAS EQUIPMENT VENTING SYSTEM PROVIDED.** When the manufacturer of Product Approved side wall horizontally vented gas equipment provides a venting system design or venting system components with the equipment, the instructions provided by the manufacturer for installation of the equipment and the venting system shall include:

1. Detailed instructions for the installation of the venting system design or the venting system components; and

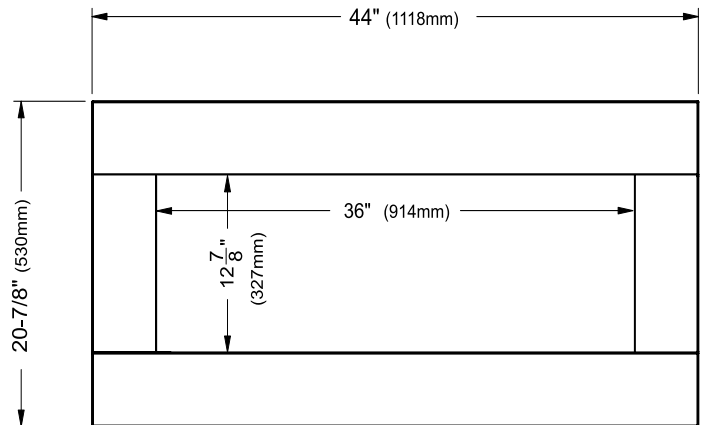
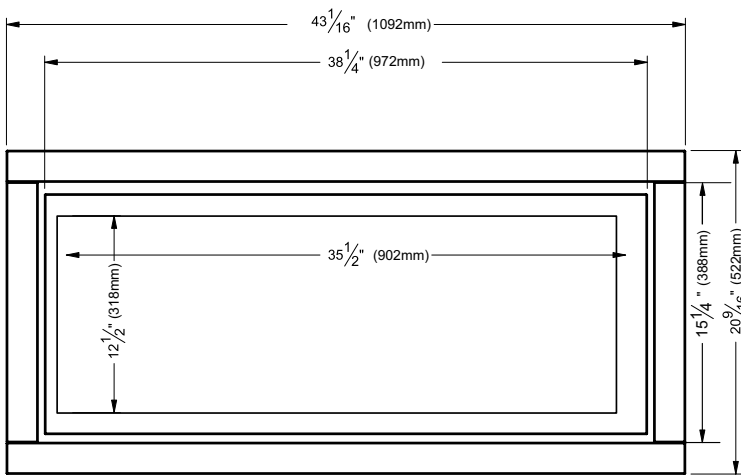
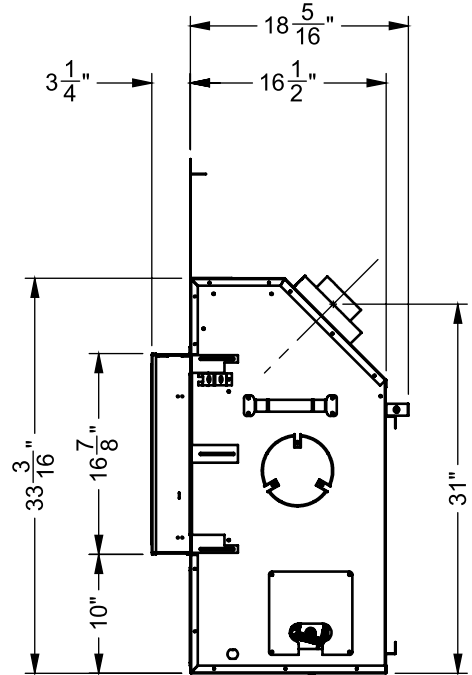
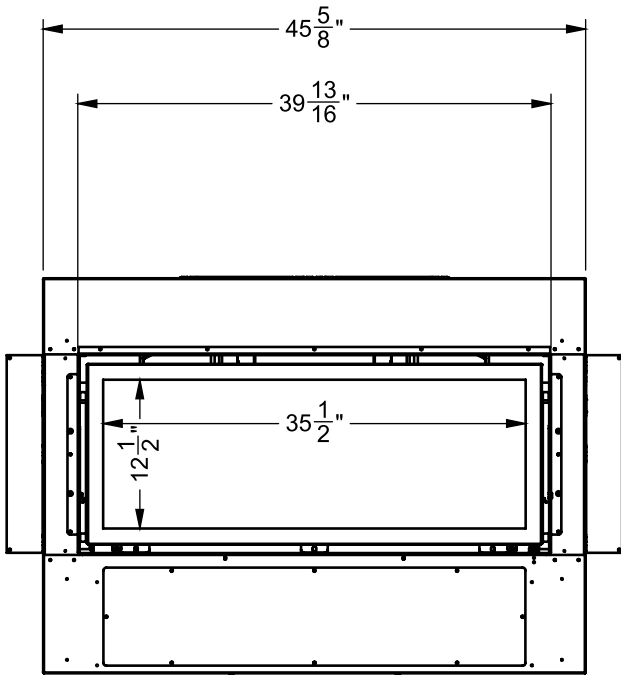
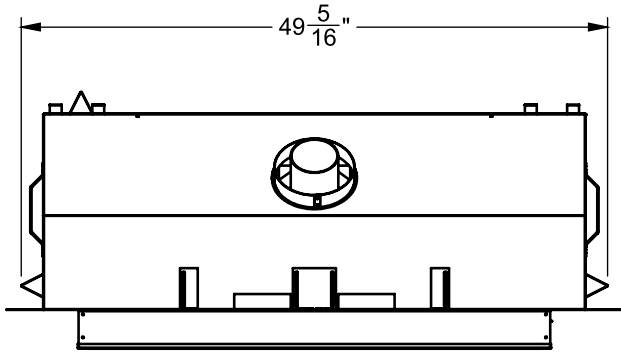
2. A complete parts list for the venting system design or venting system.

(d) **MANUFACTURER REQUIREMENTS - GAS EQUIPMENT VENTING SYSTEM NOT PROVIDED.** When the manufacturer of a Product Approved side wall horizontally vented gas fueled equipment does not provide the parts for venting the flue gases, but identifies "special venting systems", the following requirements shall be satisfied by the manufacturer:

1. The referenced "special venting system" instructions shall be included with the appliance or equipment installation instructions; and

2. The "special venting systems" shall be Product Approved by the Board, and the instructions for that system shall include a parts list and detailed installation instructions.

(e) A copy of all installation instructions for all Product Approved side wall horizontally vented gas fueled equipment, all venting instructions, all parts lists for venting instructions, and/or all venting design instructions shall remain with the appliance or equipment at the completion of the installation.



Inner/Outer Faceplate

4 Piece Faceplate/Verona Surround

**IMPORTANT MESSAGE  
SAVE THESE  
INSTRUCTIONS**

The Gas Fireplace must be installed in accordance with these instructions. Carefully read all the instructions in this manual first. Consult the "authority having jurisdiction" to determine the need for a permit prior to starting the installation. It is the responsibility of the installer to ensure this fireplace is installed in compliance with manufacturers instructions and all applicable codes.

**BEFORE YOU START**

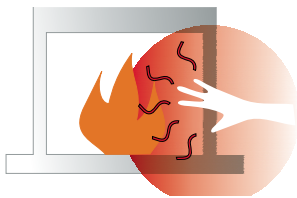
Safe installation and operation of this appliance requires common sense, however, we are required by the Canadian Safety Standards and ANSI Standards to make you aware of the following:

**INSTALLATION AND REPAIR SHOULD BE DONE BY AN AUTHORIZED SERVICE PERSON. THE APPLIANCE SHOULD BE INSPECTED BEFORE USE AND AT LEAST ANNUALLY BY A PROFESSIONAL SERVICE PERSON. MORE FREQUENT CLEANING MAY BE REQUIRED DUE TO EXCESSIVE LINT FROM CARPETING, BEDDING MATERIAL, ETC. IT IS IMPERATIVE THAT CONTROL COMPARTMENTS, BURNERS AND CIRCULATING AIR PASSAGEWAYS OF THE APPLIANCE BE KEPT CLEAN.**

**DUE TO HIGH TEMPERATURES, THE APPLIANCE SHOULD BE LOCATED OUT OF TRAFFIC AND AWAY FROM FURNITURE AND DRAPERIES.**

**WARNING: FAILURE TO INSTALL THIS APPLIANCE CORRECTLY WILL VOID YOUR WARRANTY AND MAY CAUSE A SERIOUS HOUSE FIRE.**

**CHILDREN AND ADULTS SHOULD BE ALERTED TO THE HAZARDS OF HIGH SURFACE TEMPERATURES, ESPECIALLY THE FIREPLACE GLASS, AND SHOULD STAY AWAY TO AVOID BURNS OR CLOTHING IGNITION.**



**YOUNG CHILDREN SHOULD BE CAREFULLY SUPERVISED WHEN THEY ARE IN THE SAME AREA AS THE APPLIANCE. TODDLERS, YOUNG CHILDREN AND OTHERS MAY BE SUSCEPTIBLE TO ACCIDENTAL CONTACT BURNS. A PHYSICAL BARRIER IS RECOMMENDED IF THERE ARE AT RISK INDIVIDUAL IN THE HOUSE. TO RESTRICT ACCESS TO A FIREPLACE OR STOVE, INSTALL AN ADJUSTABLE SAFETY GATE TO KEEP TODDLERS, YOUNG CHILDREN AND OTHER AT RISK INDIVIDUALS OUT OF THE ROOM AND AWAY FROM HOT SURFACES.**

**CLOTHING OR OTHER FLAMMABLE MATERIAL SHOULD NOT BE PLACED ON OR NEAR THE APPLIANCE.**

**A BARRIER DESIGNED TO REDUCE THE RISK OF BURNS FROM THE HOT VIEWING GLASS IS PROVIDED WITH THIS APPLIANCE AND SHALL BE INSTALLED FOR THE PROTECTION OF CHILDREN AND OTHER AT-RISK INDIVIDUALS**

**IF THE BARRIER BECOMES DAMAGED, THE BARRIER SHALL BE REPLACED WITH THE MANUFACTURER'S BARRIER FOR THIS APPLIANCE.**

**ANY SAFETY SCREEN, GUARD, OR BARRIER REMOVED FOR SERVICING AN APPLIANCE MUST BE REPLACED PRIOR TO OPERATING THE APPLIANCE.**

**GENERAL SAFETY INFORMATION**

1. The appliance installation must conform with local codes or, in the absence of local codes, with the current Canadian or National Gas Codes, CAN1-B149 or ANSI Z223.1 Installation Codes.
2. The appliance when installed, must be electrically grounded in accordance with local codes, or in the absence of local codes with the current National Electrical Code, ANSI/NFPA 70 or CSA C22.1 Canadian Electrical Code.
3. See general construction and assembly instructions. The appliance and vent should be enclosed.

4. This appliance must be connected to the specified vent and termination cap to the outside of the building envelope. Never vent to another room or inside a building. Make sure that the vent is fitted as per Venting instructions.
5. Inspect the venting system annually for blockage and any signs of deterioration.
6. Venting terminals shall not be recessed into a wall or siding.
7. Any safety glass removed for servicing must be replaced prior to operating the appliance.
8. To prevent injury, do not allow anyone who is unfamiliar with the operation to use the fireplace.
9. Wear gloves and safety glasses for protection while doing required maintenance.
10. Be aware of electrical wiring locations in walls and ceilings when cutting holes for termination.
11. Under no circumstance should this appliance be modified. Parts that have to be removed for servicing should be replaced prior to operating this appliance.
12. Installation and any repairs to this appliance should be done by a qualified service person. A professional service person should be called to inspect this appliance annually. Make it a practice to have all of your gas appliances checked annually.
13. Do not slam shut or strike the glass door.
14. Under no circumstances should any solid fuels (wood, paper, cardboard, coal, etc.) be used in this appliance.
15. The appliance area must be kept clear and free of combustible materials, (gases and other flammable vapours and liquids).

Emissions from burning wood or gas could contain chemicals known to the State of California to cause cancer, birth defects or other reproductive harm.

## INSTALLATION CHECKLIST

1. Locate appliance
  - a) Room location (Refer to "Locating Your Gas fireplace" section)
  - b) Clearances to Combustibles (Refer to "Clearances" section)
  - c) Mantel Clearances (Refer to "Mantel Clearances" section)
  - d) Framing & Finishing Requirements (Refer to "Framing & Finishing" section)
  - e) Venting Requirements (Refer to "Venting" section)
2. Position nailing strips (Refer to "Unit Assembly Prior to Installation).
3. Slide unit into place.
4. Remove installation access panel.
5. Install vent (Refer to "Venting Arrangement" sections).
6. Make gas connections (Refer to "Gas Line Installation section).
7. Make electrical connections to receptacle supplied with unit (recommended).
8. Install 4 AA batteries into receiver/switch box or use AC power adaptor supplied with this appliance.
9. See remote control instructions for operation of this device.
10. Test the pilot (Refer to "Pilot Adjustment" section).
11. Test Gas Pressure (Refer to "Gas Pipe Pressure Testing" section).
12. Install standard and optional features. Refer to the following sections:
  - a) Glass Crystals/ Optional Ceramic Stones
  - b) Optional Firebox Base Pebbles
  - c) Optional Reflective Panels
  - d) Optional Fan
  - e) Faceplate
13. Reinstall installation access panel.
14. Final check.

Before leaving this unit with the customer, the installer must ensure that the appliance is firing correctly and **operation fully explained to customer.**

### This includes:

1. Clocking the appliance to ensure the correct firing rate (rate noted on label 26,000 Btu/h (NG), 25,500 Btu/h (LP) after burning appliance for 15 minutes.
2. If required, adjusting the primary air to ensure that the flame does not carbon. First allow the unit to burn for 15-20 min. to stabilize.

**CAUTION: Any alteration to the product that causes sooting or carboning that results in damage is not the responsibility of the manufacturer.**

## LOCATING YOUR GAS FIREPLACE

1. When selecting a location for your fireplace, ensure that the clearances are met.
2. The appliance must be installed on a flat, solid, continuous surface For example a wood, metal or concrete floor or in a raised (on the wall) application. The appliance must be installed on a metal or wood panel extending the full width and depth of the appliance.
3. The HZ40E Direct Vent Gas Fireplace can be installed in a recessed position or framed out into the room as in A, B, C and D. See Diagram 1.

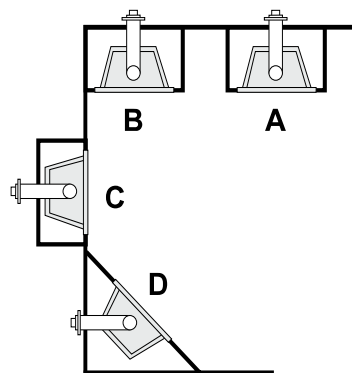


Diagram 1

- A) Flat on Wall
- B) Flat on Wall Corner
- C) Recessed into Wall/Alcove
- D) Corner

4. This appliance is listed for bedroom installations using the standard remote (thermostat system). Some areas may have further requirements, check local codes before installation.
5. The HZ40E Direct Vent Gas Fireplace is approved for alcove installations, see "Clearances" section for details.
6. We recommend that you plan your installation on paper using exact measurements for clearances and floor protection before actually installing this appliance. Have an authorized inspector, dealer, or installer review your plans before installation.

**Note: For vent terminations refer to "Exterior Vent Termination Locations" section.**



## HEATWAVE DUCT SYSTEM OPTIONAL KIT #946-556

The **HeatWave** Air Duct Kit increases the effectiveness of your fireplace by dispersing warm air from the fireplace to remote locations in the same room or other rooms in your home.

Up to two kits may be installed on the fireplace.

**Please Note:** Only 1 HeatWave kit may be operated at one time. This includes the internal blower option as well.

The **HeatWave** Duct Kit has different clearance and framing requirements, check the **HeatWave** manual for details.

## OPTIONAL HEAT RELEASE KIT

### #946-570

The Heat Release Kit expels warm air from the fireplace to the outside of the building, allowing the fireplace to be operated with less heat entering the room. The kit may be used on either the left or right side.

### CLEARANCES

The clearances listed below are Minimum distances unless otherwise stated:

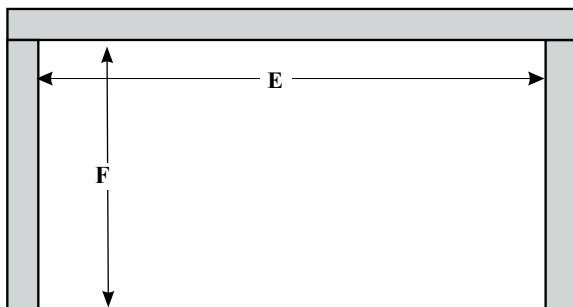
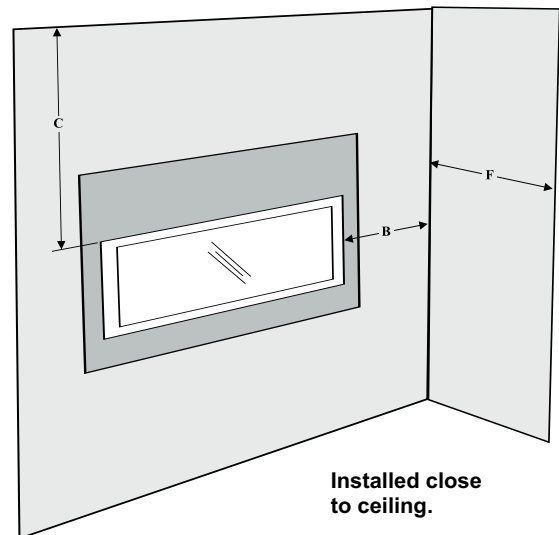
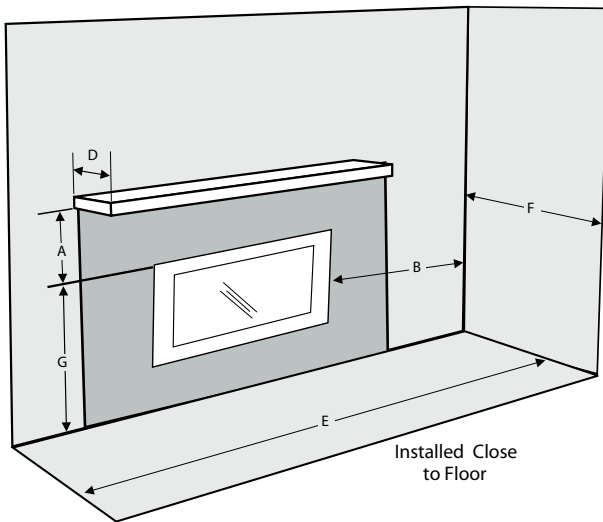
A major cause of chimney related fires is failure to maintain required clearances (air space) to combustible materials. It is of the greatest importance that this fireplace and vent system be installed only in accordance with these instructions.

Clearance:	Dimension	Measured From:
A: Mantel Height (min.)	17" (330mm)	Top of Fireplace Opening
B: Sidewall (on one side)	8" (203mm)	Side of Fireplace Opening
C: Ceiling (room and/or alcove)	22" (559mm)	Top of Fireplace Opening
D: Mantel Depth (max.)	13" (330mm)	22" Above Fireplace Opening
E: Alcove Width	84" (2134mm)	Sidewall to Sidewall (Minimum)
F: Alcove Depth	36" (914mm)	Front to Back Wall (Maximum)
G: From Floor	27" (686mm)	Top of Fireplace Opening
Note:	0"	No hearth required

Flue Clearances to Combustibles	
Horizontal - Top	3"
Horizontal - Side	2"
Horizontal - Bottom	2"
Vertical	2"
Passing through wall/floor/ceiling - when firestop is used.	1-1/2"

The **HeatWave** Duct Kit and the Heat Release Kit have different clearance and framing requirements, check the **HeatWave** and Heat Release manual for details.

**Heat Release Kit**



Alcove

**Caution Requirements**

The top, back and sides of the fireplace are defined by standoffs. The metal ends of the standoff may **NOT** be recessed into combustible construction.

**WARNING**

**Fire hazard is an extreme risk**

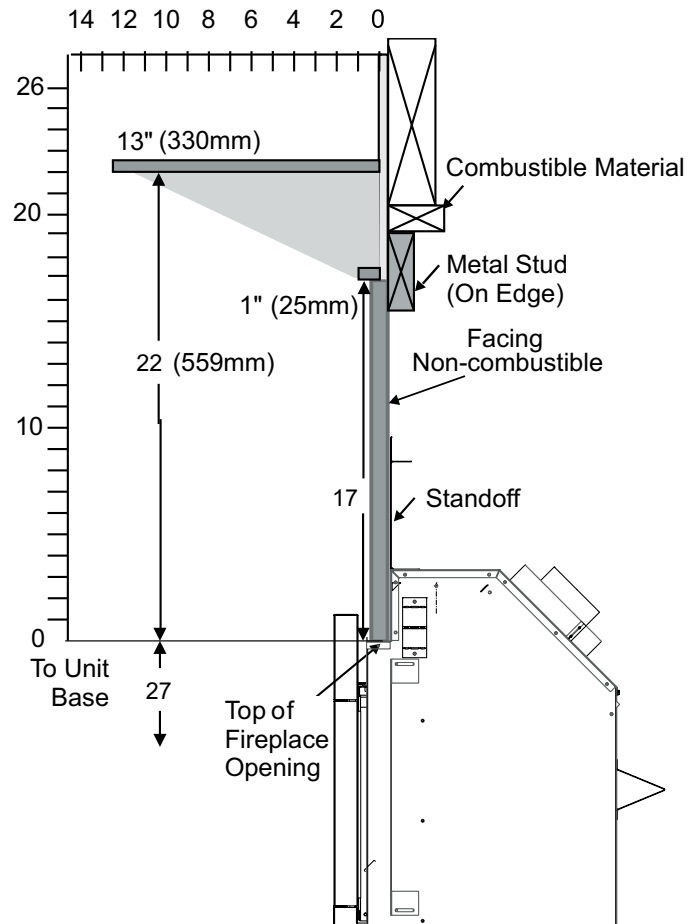
if these clearances (air space) to combustible materials are not adhered to. It is of greatest importance that this fireplace and vent system be installed only in accordance with these instructions.



## MANTEL CLEARANCES

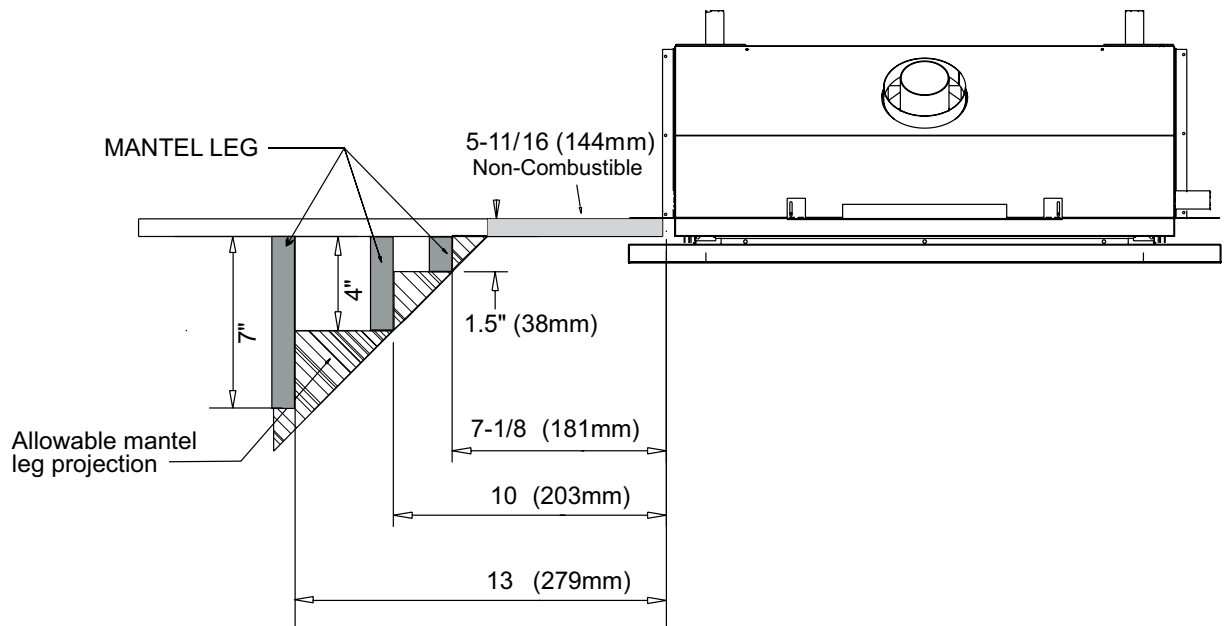
Due to the extreme heat this fireplace emits, the mantel clearances are critical. Combustible mantel clearances from top of front facing are shown in the diagram on the right.

**Note:** Ensure the paint that is used on the mantel and the facing is "high quality" or the paint may discolour.



## MANTEL LEG CLEARANCES

Combustible mantel leg clearances as per diagram:



## 12 | installation

### UNIT ASSEMBLY PRIOR TO INSTALLATION

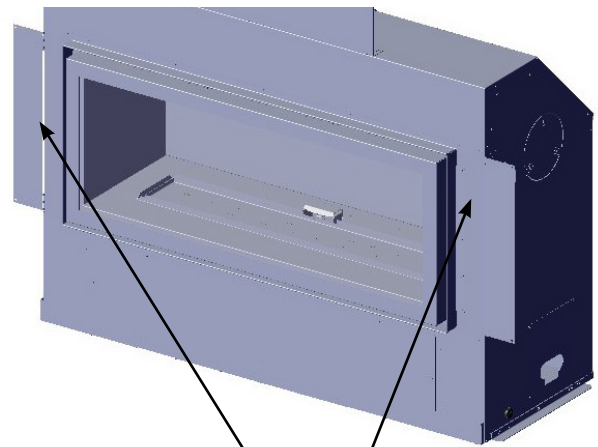
The nailing Strips must be correctly positioned and attached before unit is slid into position.

#### NAILING STRIPS

The nailing strips come attached to the unit. There is 1 plate on each side. The side nailing strips are secured to the framing.

#### IMPORTANT NOTE

Framing depth measurement is noted with the nailing strips set as far forward on the firebox as possible. The nailing strips can be adjusted back up to 3-1/4" to allow for varying thicknesses in non-combustible material & wall finishes.



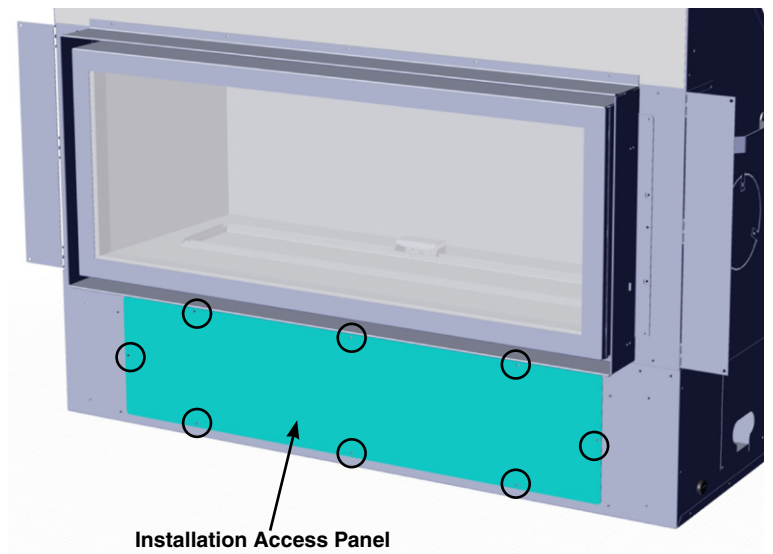
Nailing Strips

### INSTALLATION ACCESS PANEL

The unit is equipped with a removable access panel for pre-finish installation of optional components - this panel is located on the lower front face.

1. Remove 8 screws to remove access panel.
2. Easier access to gas connection with panel removed.
3. Install any optional components with access panel removed.
4. Reinstall access panel with 8 screws - prior to installing any facing material

**Note:** Access panel is no longer accessible once facing material installed.



Installation Access Panel

## FRAMING DIMENSIONS

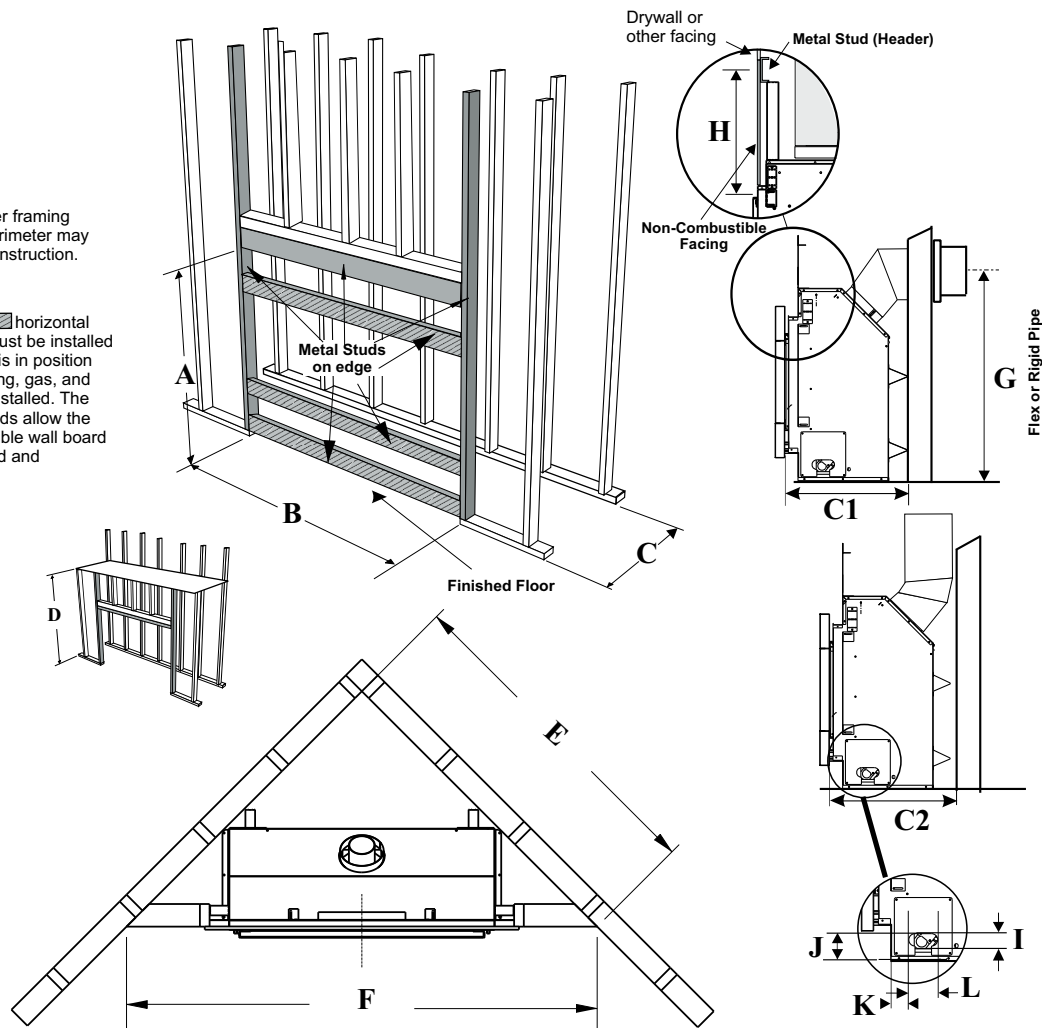
**NOTE:** If not purchasing the optional steel stud kit - adhere to the same framing if purchasing steel studs elsewhere. The use of the optional kit is highly recommended as it was designed specifically for the product to facilitate ease of installation.

Framing Dimensions	Description	HZ40E
A	Framing Height	42" (1067mm)
B	Framing Width	49-7/8" (1266mm)
C*	Framing Depth*	<b>C1</b> Horizontal Vent 21-3/16" (538mm) <b>C2</b> Vertical Vent 25-3/16" (640mm) Vertical rise -terminating horizontal
D	Minimum Height to Combustibles	43-7/8" (1114mm)
E	Corner Wall Depth	61" (1549mm)
F	Corner Facing Wall Width	86-1/4" (2191mm)
G	Vent Centerline Height	36 - 1/4" (921mm)
H	Non-combustible facing height	17" (432mm)
I	Gas Connection Opening Height	2" (51mm)
J	Gas Connection Height	4 - 3/16" (106mm)
K	Gas Connection Inset	8 - 5/16" (211mm)
L	Gas Connection Opening Width	3 - 1/2" (89mm)

\* Framing depth measurement is noted with the nailing strips set as far forward on the firebox as possible. The nailing strips can be adjusted back up to 3-1/4" to allow for varying thicknesses in non-combustible material & wall finishes.

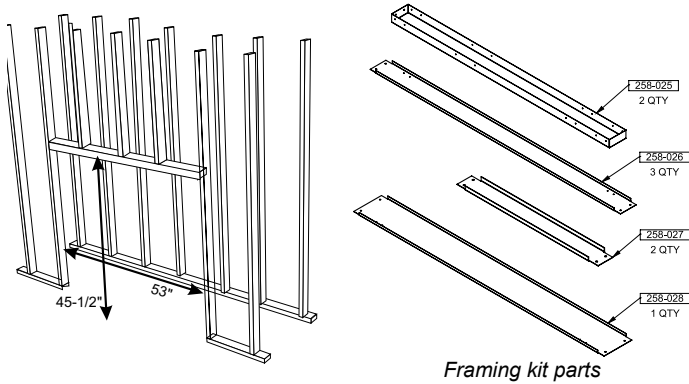
**Note:** All other framing around the perimeter may be of wood construction.

**Note:** Three horizontal steel studs must be installed after the unit is in position and the venting, gas, and electrical is installed. The horizontal studs allow the non-combustible wall board to be attached and supported.

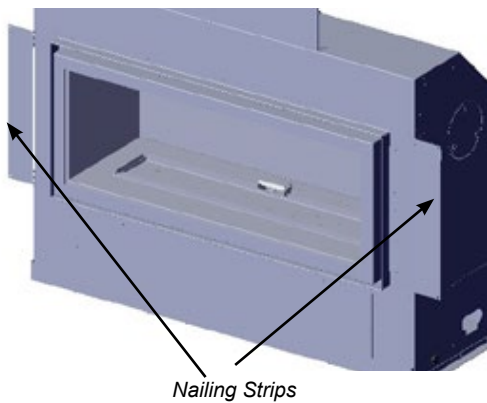


**OPTIONAL FRAMING KIT**

1. Construct the wood framing, ensure inside dimensions are 53"W x 45-1/2"H as shown below.



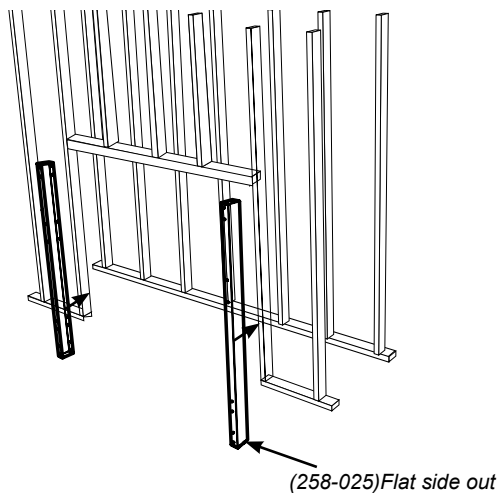
2. Bend both side nailing strips from the side of the appliance until positioned as shown below. Determine the overall combined thickness of the non-combustible board + finished material being used. The nailing strips can be adjusted up to 3-1/4".



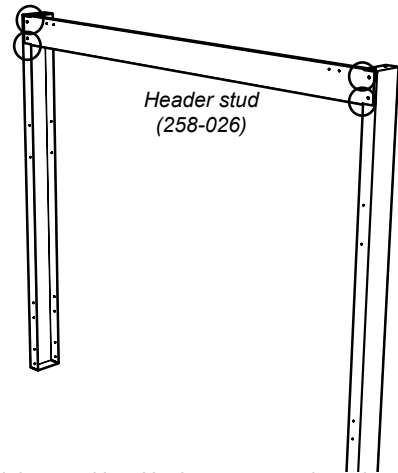
3. Adjust the nailing strips by loosening 2 screws on each nailing strip - adjust and retighten screws.

4. Attach both vertical studs and secure using 6 screws (2 at bottom, 2 at top and 2 on sides) as shown.

**NOTE:** Ensure the flat side of the steel stud is facing the wood framing.



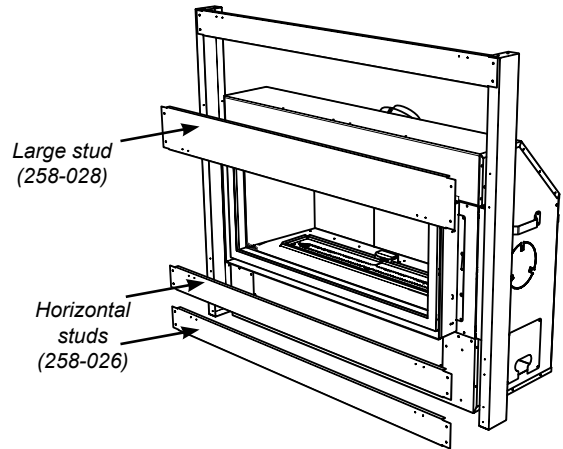
5. Secure horizontal steel header stud with 2 screws per side as per diagram.



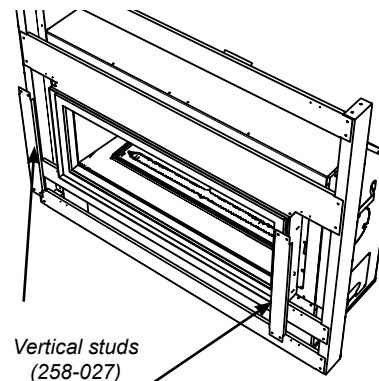
6. Slide the unit into position. Hook up gas, venting, electrical and fan (if purchased) prior to installing the remaining steel studs.

7. Secure the large horizontal steel stud as shown with 2 screws per side.

8. Secure 2 horizontal studs on the lower side of the appliance with 2 screws per side for each stud as shown.



9. Secure 2 vertical studs on either side of the appliance with 4 screws per side stud as shown.



**WALL MOUNT ON / OFF SWITCH AND REMOTE RECEIVER INSTALLATION  
REQUIRED FOR ALL INSTALLATIONS - INCLUDING PROFLAME REMOTE CONTROLS**

**IMPORTANT INSTALLATION NOTE:**

The Receiver must be placed inside the supplied (Low Voltage) junction type wall box and installed into the wall only.

**DO NOT INSTALL WITHIN THE CONFINES OF THE FIREPLACE.**

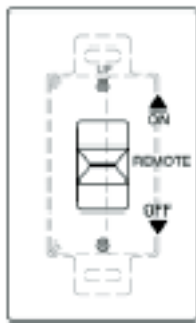
**Remote Receiver Installation**

1. Install the low voltage junction box to the framing, at desired location within 10 ft. from fireplace.
2. Feed the 12 pin connector through the opening at back of junction box.
3. Connect the 12 pin connector to the back of the receiver.
4. Install the Receiver in the Low Voltage Junction box.
5. Insert the 4 AA type batteries in the battery compartment with the correct polarity.
6. Place the slider into the cover plate.
7. Put the Receiver switch in the "OFF" position, to allow correct lineup for slider switch.
8. Make sure the Receiver and cover plate words "ON" and "UP" are on the same side.
9. Align the slider with the switch on the Receiver and couple the switch into the slider.
10. Align the screw holes.
11. Using the two (2) screws provided secure the cover plate to the Receiver.



Low Voltage Junction Box

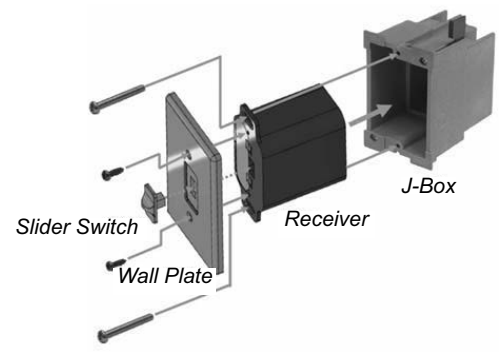
**Proflame Receiver**



Receiver Wall Mount



10 ft. wire harness with 12 pin connector



Slider Switch  
Wall Plate  
Receiver  
J-Box

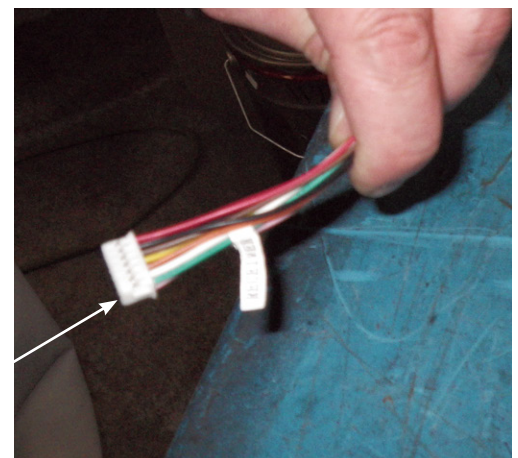


Diagram 1

## NON-COMBUSTIBLE REQUIREMENTS

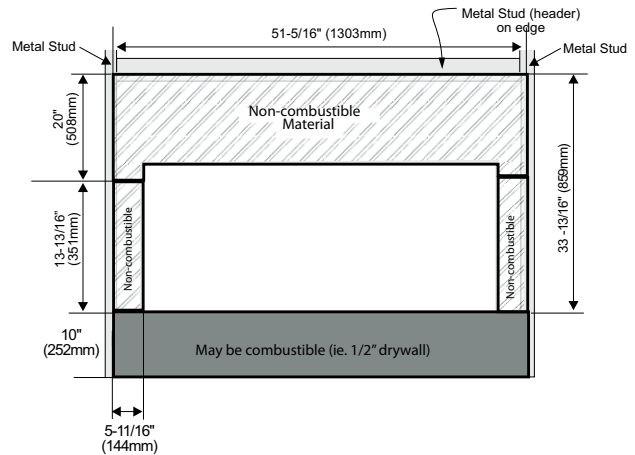
**\* Installation of the Receiver must be completed before installing non-combustible facing.**

All three pieces (top, 2 sides) are supplied to meet the non combustibility requirements.

Calcium silicate board is a high - grade material with cement, quartz, natural and selected minerals as the main raw materials. It is widely used for partitions and ceilings in buildings. It is fire proof and earthquake proof.

If finishing the wall above the unit with materials such as tile, brick, marble, etc. non-combustible board available from the building supply store can be used.

**Note:** Calcium Silicate is 1/2" thick



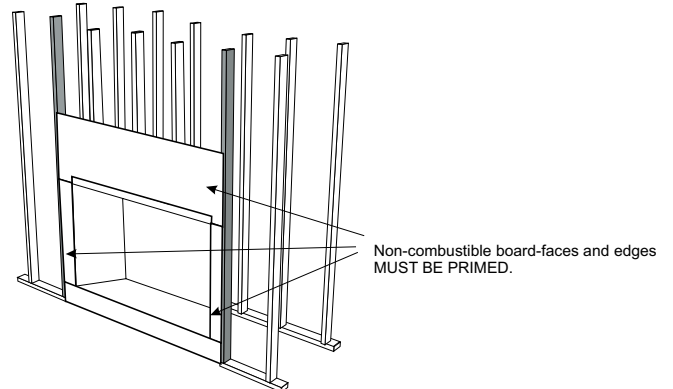
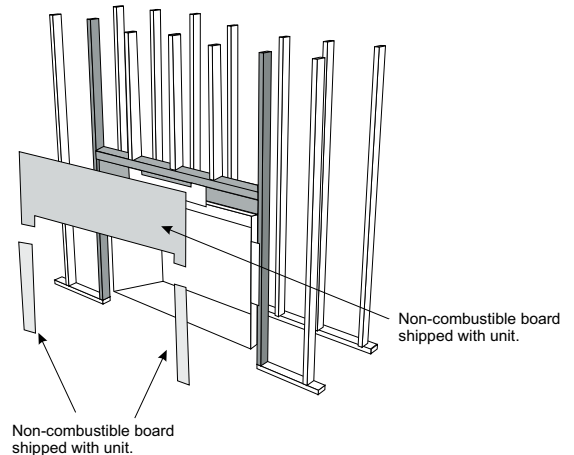
## NON-COMBUSTIBLE FACING INSTALLATION

**Caution:** The non-combustible board supplied with this unit can be damaged if dropped or struck. **Handle with care.**

1. Using drywall screws - secure non combustible material around unit, framing and top nailing strip every 6 inches.

**Important Note:** To avoid cracking the board - pre-drill holes prior to securing to unit/ framing.

2. Wipe any debris/dust from the non combustible material and drywall.
3. Prior to securing it is mandatory to prime the facing and edges using a quality primer. This will ensure proper adhesion of both the tape and mud. The supplied board is very porous. Failure to follow this procedure will result in cracked seams.
4. Tape the seams using a mesh type tape.
5. Mud seams as normal. We recommend using a product called Durabond high strength compound - for the first coat. This product can be found at any hardware store. Mud must be cured as per manufacturer's recommendations.
6. Prime wall for a second time for proper adhesion of paint
7. Paint walls using a high quality paint which will withstand the high temperatures being emitted from this appliance.





## FRAMING & FINISHING

1. Frame in the enclosure for the unit with framing material.

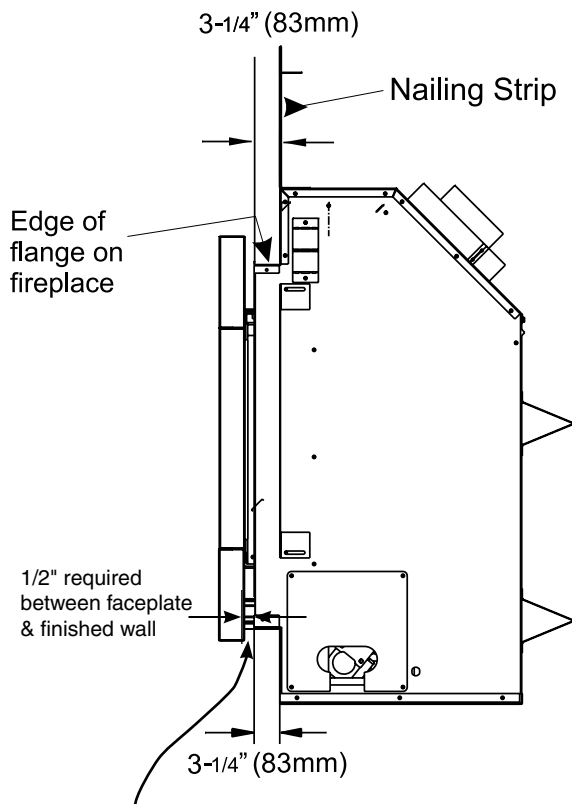
**IMPORTANT:** The framed opening must be of non-combustible material.

**Note:** When constructing the framed opening, please ensure there is access to install the gas lines when the unit is installed.

2. For exterior walls, insulate the enclosure to the same degree as the rest of the house, apply vapour barrier and drywall, as per local installation codes. (Do not insulate the fireplace itself.)

**WARNING:** Failure to insulate and add vapor barriers to the inside of the exterior wall will result in operational and performance problems including, but not limited to: excessive condensation on glass doors, poor flame package, carbon, blue flames etc. These are not product related issues.

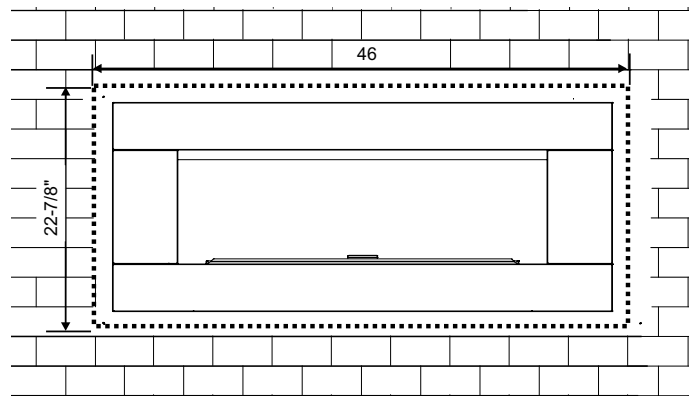
3. The unit does not have to be completely enclosed in a chase. You must maintain clearances from the vent to combustible materials: See "Clearances" section. Combustible materials can be laid against the side and back standoffs and the stove base.
4. Non-combustible material (ie. tile, slate, etc) may be brought up to and overlap the unit (top and bottom) ensuring that the maximum thickness does not go beyond the 3-1/4" as shown in the diagram below. The faceplate will not be able to be mounted if finished material is beyond 3-1/4" .



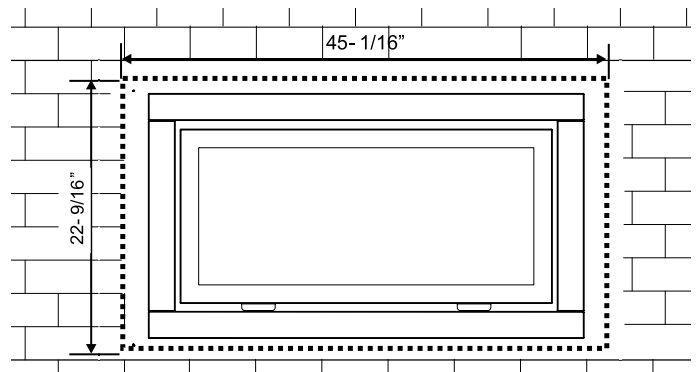
**IMPORTANT:** 1/2" gap is required between the faceplate and the finished wall when using 4 piece Faceplate (Part # 258-954, 258-957) or Verona Glass Surround (Part # 256-951, 256-957)

5. If material such as brick, stone, etc extends past the faceplate depth (3-1/4"), when finishing around the faceplate, the minimum opening dimensions noted below must be adhered to ensuring for the removal of the faceplate and for the safe operation of this appliance.

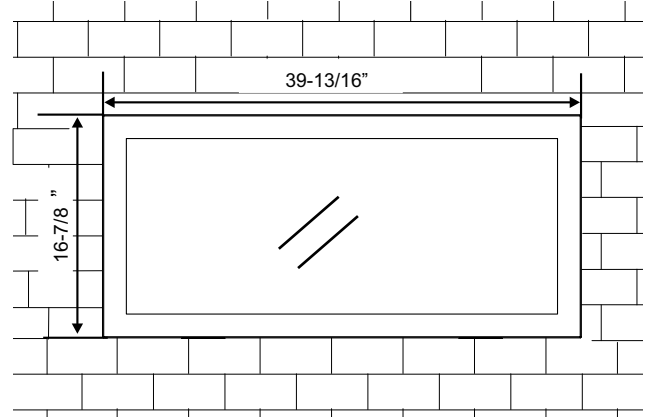
**NOTE:** Spacing of 1" around the completed surround must be adhered to.



Unit shown with 4 piece faceplate/Verona Glass Surround



Unit shown with inner and outer door frame



Unit shown with inner door frame only

**FRAMING & FINISHING**

Finished Material	Nailing Strip Position	
1/2"	2-7/8"	<p>← Finished material</p> <p>2-3/4" Forward</p> <p>Unit</p>
1"	2-1/4"	<p>← Finished material</p> <p>2-1/4" Forward</p> <p>Unit</p>
3-1/4"	0" (flush)	<p>← Finished material</p> <p>Flush w/unit</p> <p>Unit</p>

**Important:**

Determine the nailing strip position by determining the facing material being used.

**Examples:**

1/2" non-combustible wall board for clean finish = 2-3/4" adjustment.

1/2" non-combustible wall board + 1/2" tile = 1" of finished material = 2-1/4" adjustment.

**Note:**

Depending on the material used for finishing, the nailing strips must be set accordingly so that the finished material is always at the 3-1/4" edge of the flange.

**IMPORTANT**

Regency Fireplace Products are designed, produced, tested and certified to the highest industry standards.

The finishing of the walls surrounding your Regency Horizon Fireplace is as critical as the installation itself.

The temperatures around linear gas fireplaces are typically higher than would be acceptable for combustible materials. Your Regency Horizon Fireplace is no exception to this rule. Therefore, the units are specified with non-combustible required materials to specific dimensions above and around the units. This is due to these areas reaching higher temperature levels than required/acceptable for a combustible material. To obtain the best, most durable finish around your fireplace, this calls for a high level of care and attention to the preparation and finish around this appliance, using only the highest quality materials, able to withstand the temperatures produced.

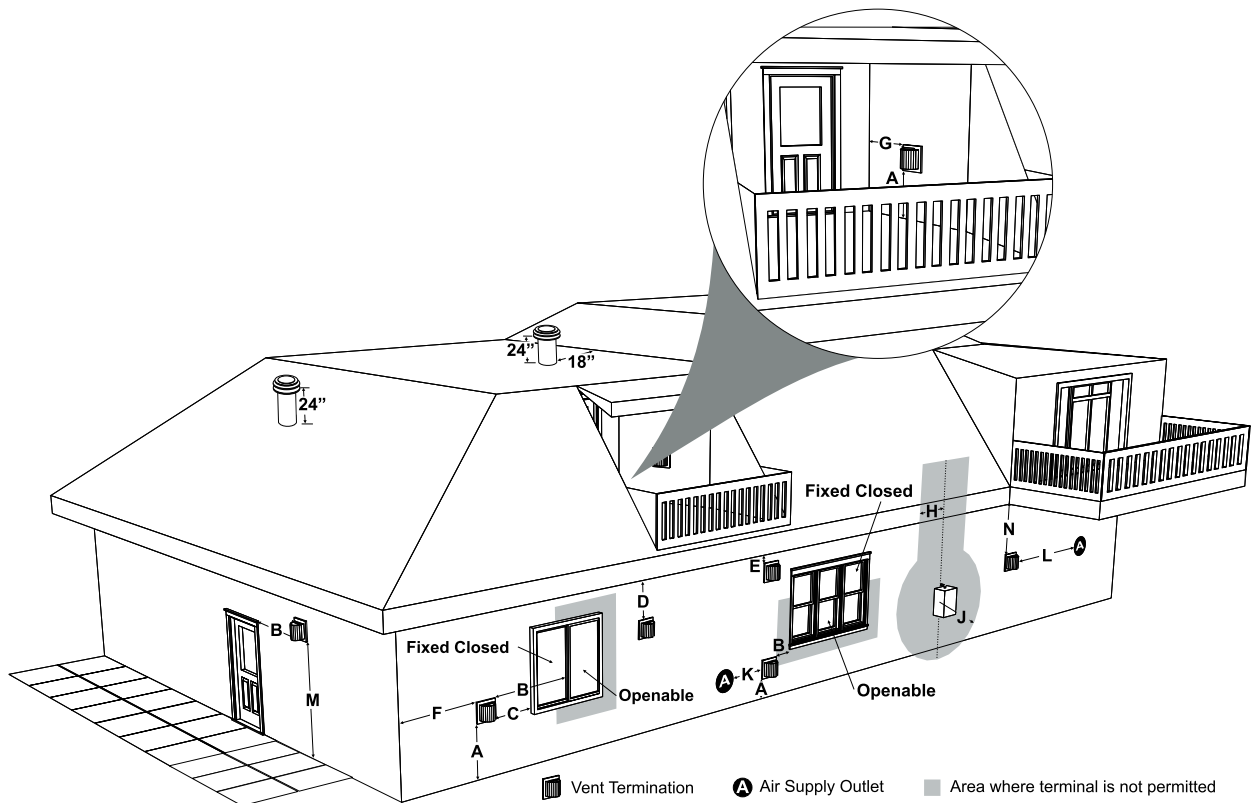
By following the installation instructions in the manual exactly, you will increase your chances of a damage free finish.

While every precaution is taken in providing the recommendations on preparation and finish, given the variations in paint quality, with temperature limits and workmanship in application, Regency is unable to guarantee the life of the joint compounds, paint or any other finish materials or workmanship applied to or used in any application surrounding the fireplace. This includes framing as well as finishing. Over time natural convection from any fireplace can cause discoloration in the area directly above the appliance. Lower quality paints, under-prepared finishes, poor applications, and any framing discrepancies or in the installation can cause this discoloration process to be expedited.

Discoloration is not the responsibility of Regency Fireplace Products. This is out of the control of Regency Fireplace Products Ltd., therefore not covered under any part of the warranty policy.

While discoloration is not the responsibility of Regency Fireplace Products, we believe careful attention to the recommendations provided here will result in an aesthetically pleasing result free of issues outlined above.

## EXTERIOR VENT TERMINATION REQUIREMENTS



	Minimum Clearance Requirements	Canada <sup>1</sup>	USA <sup>2</sup>
A	Clearance above grade, veranda, porch, deck, or balcony	12"(30cm)	12"(30cm)
B	Clearance to window or door that may be opened	12"(30cm)	9" (23cm)
C	Clearance to permanently closed window	*	*
D	Vertical clearance to ventilated soffit located above the terminal within a horizontal distance of 2 feet (61cm) from the center line of the terminal (check with the local code)	19"(48cm)	19"(48cm)
E	Clearance to unventilated soffit	19"(48cm)	19"(48cm)
F	Clearance to outside corner: with <b>AstroCap</b> Termination Cap.	7"(18cm)	7"(18cm)
	Clearance to outside corner: with all other approved Termination Caps.	13"(33cm)	13"(33cm)
G	Clearance to inside corner: with <b>AstroCap</b> Termination Cap	7"(18cm)	7"(18cm)
	Clearance to inside corner: with all other approved Termination Caps.	13"(33cm)	13"(33cm)
H	Clearance to each side of center line extended above meter/regulator assembly	36"(90cm) <sup>a</sup>	*
J	Clearance to service regulator vent outlet	36"(90cm)	*
K	Clearance to non-mechanical air supply inlet to building or the combustion air inlet to any other appliance	12"(30cm)	9" (23cm)
L	Clearance to a mechanical air supply inlet #3' (91cm) above if within 10' (3m) horizontally.	72"(1.8m)	36"(90cm) <sup>b</sup>
M	Clearance above paved sidewalk or a paved driveway located on public property	84"(2.1m) <sup>†</sup>	*
N	Clearance under veranda, porch, deck, or balcony	12"(30cm) <sup>‡</sup>	*

<sup>1</sup> In accordance with current CSA B149.1, *Natural Gas and Propane Installation Code*

<sup>2</sup> In accordance with the current ANSI Z223.1/NFPA 54, *National Fuel Gas Code*

<sup>†</sup> A vent shall not terminate directly above a sidewalk or paved driveway which is located between two single family dwellings and serves both dwellings

<sup>‡</sup> Permitted only if veranda, porch, deck, or balcony is fully open on a minimum of two sides beneath the floor

\* Clearance in accordance with local installation codes and the requirements of the gas supplier

<sup>a</sup> 3 feet (91cm) within a height of 15 feet (4.5m) above the meter / regulator assembly

<sup>b</sup> 3 feet (91cm) above - if within 10 feet (3m) horizontally

**4" X 6-5/8" RIGID PIPE**

**CROSS REFERENCE CHART ONLY**

Components from different Manufacturers may not be mixed. Not All Rigid Pipe components are available directly from FPI.

Description	Simpson Direct Vent Pro®	Selkirk Direct Temp™	American Metal Products® Amerivent Direct	Metal-Fab™ Sure Seal	Security Secure-Vent®	ICC Excel Direct
6" Pipe Length-Galvanized	46DVA-06	4DT-6	N/A	4D6	SV4L6	TC-4DL6
6" Pipe Length-Black	46DVA-06B	4DT-6B	N/A	4D6B	SV4LB6	TC-4DL6B
7" Pipe Length-Galvanized	N/A	N/A	4D7	N/A	N/A	N/A
7" Pipe Length-Black	N/A	N/A	4D7B	N/A	N/A	N/A
9" Pipe Length-Galvanized	46DVA-09	4DT-9	N/A	N/A	N/A	TC-4DL9
9" Pipe Length-Black	46DVA-09B	4DT-9B	N/A	N/A	N/A	TC-4DL9B
12" Pipe Length-Galvanized	46DVA-12	4DT-12	4D12	4D12	SV4L12	TC-4DL1
12" Pipe Length-Black	46DVA-12B	4DT-12B	4D12B	4D12B	SV4LB12	TC-4DL1B
18" Pipe Length-Galvanized	46DVA-18	4DT-18	4D18	4D18	SV4LA	TC-4DL18
18" Pipe Length-Black	46DVA-18B	4DT-18B	4D18B	4D18B	SV4LA	TC-4DL18B
24" Pipe Length-Galvanized	46DVA-24	4DT-24	4D24	4D24	SV4L24	TC-4DL2
24" Pipe Length-Black	46DVA-24B	4DT-24B	4D24B	4D24B	SV4LB24	TC-4DL2B
36" Pipe Length-Galvanized	46DVA-36	4DT-36	4D36	4D36	SV4L36	TC-4DL3
36" Pipe Length-Black	46DVA-36B	4DT-36B	4D36B	4D36B	SV4LB36	TC-4DL3B
48" Pipe Length-Galvanized	46DVA-48	4DT-48	4D48	4D48	SV4L48	TC-4DL4
48" Pipe Length-Black	46DVA-48B	4DT-48B	4D48B	4D48B	SV4LB48	TC-4DL4B
60" Pipe Length-Galvanized	46DVA-60	4DT-60	N/A	N/A	N/A	N/A
60" Pipe Length-Black	46DVA-60B	4DT-60B	N/A	N/A	N/A	N/A

Adjustable Length 3"-10"-Galvanized	N/A	N/A	N/A	4DAL	N/A	TC-4DLT
Adjustable Length 3"-10"-Black	N/A	N/A	N/A	4DALB	N/A	TC-4DLTB
Adjustable Length 7"-Galvanized	N/A	N/A	4D7A	N/A	N/A	N/A
Adjustable Length 7"-Black	N/A	N/A	4D7AB	N/A	N/A	N/A
Extension Pipe 8-1/2"-Galvanized	46DVA-08A	N/A	N/A	N/A	N/A	N/A
Extension Pipe 8-1/2"-Black	46DVA-08AB	N/A	N/A	N/A	N/A	N/A
Adjustable Length 12"-Galvanized	N/A	N/A	4D12A	N/A	SV4LA12	TC-4dLSI
Adjustable Length 12"-Black	N/A	N/A	4D12A	N/A	SV4LBA12	TC-4dLSIB
Extension Pipe 16"-Galvanized	46DVA-16A	N/A	N/A	N/A	N/A	N/A
Extension Pipe 16"-Black	46DVA-16AB	N/A	N/A	N/A	N/A	N/A

45° Elbow-Galvanized	46DVA-E45	4DT-EL45	4D45L	N/A	N/A	TE-4DE45
45° Elbow-Black	46DVA-E45B	4DT-EL45B	4DT-EL45B	N/A	N/A	TE-4DE45B
45° Elbow Swivel-Galvanized	See 46DVA-E45	N/A	N/A	4D45L	SV4E45	N/A
45° Elbow Swivel-Black	See 46DVA-E45B	N/A	N/A	4D45LB	SV4EB45	N/A
90° Elbow-Galvanized	46DVA-E90	4DT-EL90S	4DT-EL90S	N/A	N/A	TE-4DE90
90° Elbow-Black	46DVA-E90B	4DT-EL90SB	4DT-EL90SB	N/A	SV4EBR90-1	TE-4DE90B
90° Elbow, Swivel-Galvanized	See 46DVA-E90	N/A	N/A	4D90L	SV4E90-1	N/A
90° Elbow, Swivel-Black	See 46DVA-E90B	N/A	N/A	4D90LB	SV4EB90-1	N/A
90° Starter Elbow, Swivel-Galvanized	N/A	N/A	N/A	4D90A	N/A	N/A
Adaptor*	N/A	N/A	N/A	4D90L	N/A	N/A

Ceiling Support	N/A	4DT-CS	4DSP	4DFSP	SV4SD	TM4-RDS
Cathedral Support Box	46DVA-CS	4DT-CSS	4DRSB	4DRS	SV4CSB	TM4-SDS
Wall Support/Band	46DVA-WS	4DT-WS/B	4DWS	4DWS	SV4BM	TM-SWS
Offset Support	46DVA-ES - N/A from FPI	4DT-OS	N/A	N/A	SV4SU	TM-SOS
Wall Thimble-Black	46DVA-WT	4DT-WT	4DWT	4DWT	SV4RSM	N/A
Wall Thimble Support/Ceiling Support	46DVA-DC	N/A	N/A	N/A	SV4PF	N/A
Firestop Spacer	46DVA-FS	4DT-FS	4DFSP	4DFS	SV4BF	TM-4CS
Trim Plate-Black	N/A	4DT-TP	4DFPB	4DcP	SV4LA	TM-4TP

Description	Simpson Direct Vent Pro®	Selkirk Direct Temp™	American Metal Products® Amerivent Direct	Metal-Fab™ Sure Seal	Security Secure-Vent®	ICC Excel Direct
Attic Insulation Shield 12"	46DVA-IS N/A @ FPI	N/A	4DAIS12	N/A	SV4RSA	N/A
Attic Insulation Shield - Cold Climates 36"	N/A	N/A	4DAIS12	N/A	N/A	TM-4AS

Basic Horizontal Termination Kit (A)	Disc.	4DT-HKA	4DHTK2	4DHTKA	SV-SHK	TM4-HTK
Horizontal Termination Kit (B)	46DVA-KHA (Changed Components)	4DT-HKB	4DHTK1	4DHTKB	SV-HK	TM4-HTK
Vertical Termination Kit	Disc.	4DT-VKC	4DHTK	4DHTK	SV-FK	N/A

High Wind Vertical Cap	46DVA-VCH	N/A	N/A	N/A	N/A	TM-4VT
High Wind Horizontal Cap	46DVA-HC	N/A	N/A	N/A	N/A	TM-4DHT
Horizontal Square Termination Cap	See 46DVA-HC	4DT-HHC	4DHC	4DHT	SV4CHC-1	TM-4HT
Vertical Termination Cap	46DVA-VC	4DT-HVC	4DVC	4DVT	SV4CGV-1	N/A
Storm Collar	46DVA-08A	4DT-SC	4DSC	4DSC	SV4FC	TM-SC

Adjustable Flashing 0/12-6/12	46DVA-F12	4DT-ST14	4D12S	4DST14	SV4STC14	TF-4FA
Adjustable Flashing 6/12-12/12	46DVA-F12	4DT-ST36	4D36S	4DST36	SV4STC36	TF-4FB

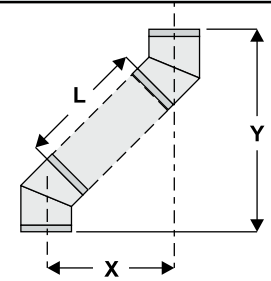
Vinyl Siding Standoff	46DVA-VSS	4DT-VS	N/A	4DVS	SV4VS	TM-VSS
Vinyl Siding Shield Plate	N/A	4DT-VSP	N/A	N/A	SV4VS	N/A

Snorkel Termination 14"	46DVA-SNKL	N/A	N/A	N/A	N/A	TM-4ST14
Snorkel Termination 36"	N/A	N/A	N/A	N/A	N/A	TM-4ST36

Restrictor Disk	N/A	N/A	N/A	N/A	N/A	TM-4DS
Extended Vertical Termination Cap	N/A	N/A	N/A	N/A	N/A	N/A
Chimney Conversion Kit A (USA only)	46DVA-KCA	N/A	N/A	N/A	N/A	TM-4CA6
Chimney Conversion Kit B (USA only)	46DVA-KCB	N/A	N/A	N/A	N/A	TM-4CA7
Chimney Conversion Kit C (USA only)	46DVA-KCC	N/A	N/A </td <td>N/A</td> <td>N/A</td> <td>TM-4CA8</td>	N/A	N/A	TM-4CA8
Chimney Conversion Kit Masonry (USA only)	46DVA-KMC	N/A	N/A	N/A	N/A	N/A
Wall Firestop	46DVA-WFS	N/A	N/A	N/A	N/A	TM-4TR
Colinear Flex Connectors	46DVA-ADF	N/A	N/A	N/A	N/A	N/A

FPI			
946-506/P	Vent Guard (Optional) for AstroCap	946-205	Vinyl Siding Shield for Riser Vent Terminal
510-994	Rigid Pipe Adaptor (Must use with all rigid piping)	946-208/P	Vent Guard (Optional) for Riser Vent Terminal
640-530/P	Riser Vent Terminal	946-523/P	AstroCap Horizontal Cap
		946-206	Vinyl Siding Standoff for AstroCap

**Note:** When using Metal-Fab Sure Seal Rigid Piping - please note that the Adaptor (4DDA) must be used in conjunction with FPI Rigid Pipe Adaptor (510-994).

Offset Pipe Selection: Use this table to determine offset pipe lengths.				
Pipe Length (L)	4" x 6-5/8" Venting			For specific instructions on venting components - visit the manufacturers website listed below.  Simpson Direct Vent Pro: <a href="http://www.duravent.com">www.duravent.com</a> Selkirk Direct-Temp: <a href="http://www.selkirkcorp.com">www.selkirkcorp.com</a> American Metal Products: <a href="http://www.americanmetalproducts.com">www.americanmetalproducts.com</a> Metal-Fab Sure Seal: <a href="http://www.mtlfab.com">www.mtlfab.com</a> Security Secure Vent: <a href="http://www.securitychimneys.com">www.securitychimneys.com</a> Industrial Chimney Company: <a href="http://www.icc-rsf.com">www.icc-rsf.com</a>
	Run (X)	Rise (Y)		
0" (0mm)	4-7/8" (124mm)	13-7/8" (340mm)		
6" (152mm)	8" (203mm)	16-1/2" (419mm)		
9" (229mm)	10-1/8" (257mm)	18-5/8" (473mm)		
12" (305mm)	12-1/4" (311mm)	20-3/4" (527mm)		
24" (610mm)	20-5/8" (524mm)	29-1/8" (740mm)		
36" (914mm)	29" (737mm)	37-1/2" (953mm)		
48" (1219mm)	37-7/16" (951mm)	45-15/16" (1167mm)		

**Note:** Horizontal runs of vent must be level, or have a 1/4" rise for every 1 foot of run towards the termination. Never allow the vent to run downward - this could cause high temperatures and may present a possible fire hazard.

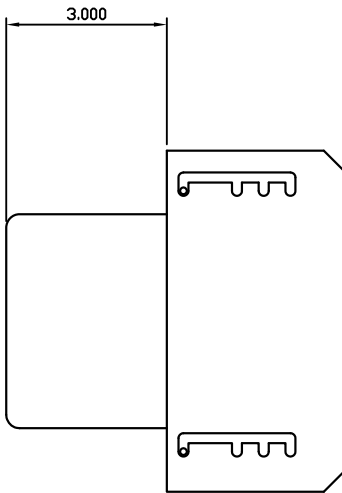
## VENT RESTRICTOR POSITION

Vent restriction is required for certain venting installations, see the diagrams in the "Venting Arrangements" section to determine if they are required for your installation.

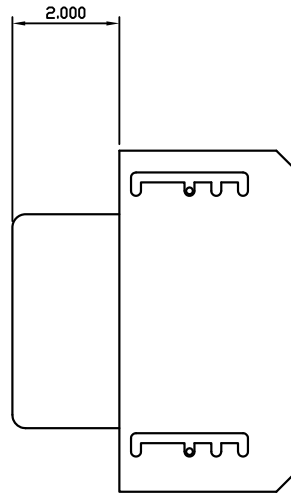
The Vent Restrictor plate is located on the inside top of the firebox.

To set the vent restriction as indicated in the venting arrangements diagrams, refer to the following instructions;

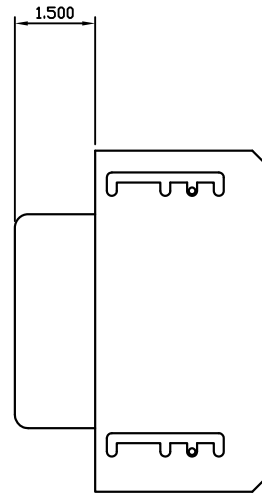
1. Remove the glass door - see instructions in this manual.
2. Remove the screws that hold the vent restrictor plate in place.
3. Adjust the vent restrictor plate to the required vent restrictor position as per the diagrams shown.
4. Once the vent restrictor plate is in the required position, secure with screws.



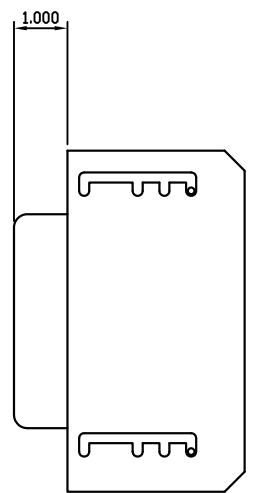
**Set 0**  
**(Factory set)**  
VENT RESTRICTOR  
AT 3"



**Set 1**  
VENT RESTRICTOR  
AT 2"



**Set 2**  
VENT RESTRICTOR  
AT 1-1/2"



**Set 3**  
VENT RESTRICTOR  
AT 1"



## VENTING INTRODUCTION

The HZ40E uses the "balanced flue" technology Co-Axial system. The inner liner vents products of combustion to the outside while the outer liner draws outside combustion air into the combustion chamber thereby eliminating the need to use heated room air for combustion and losing warm room air up the chimney.

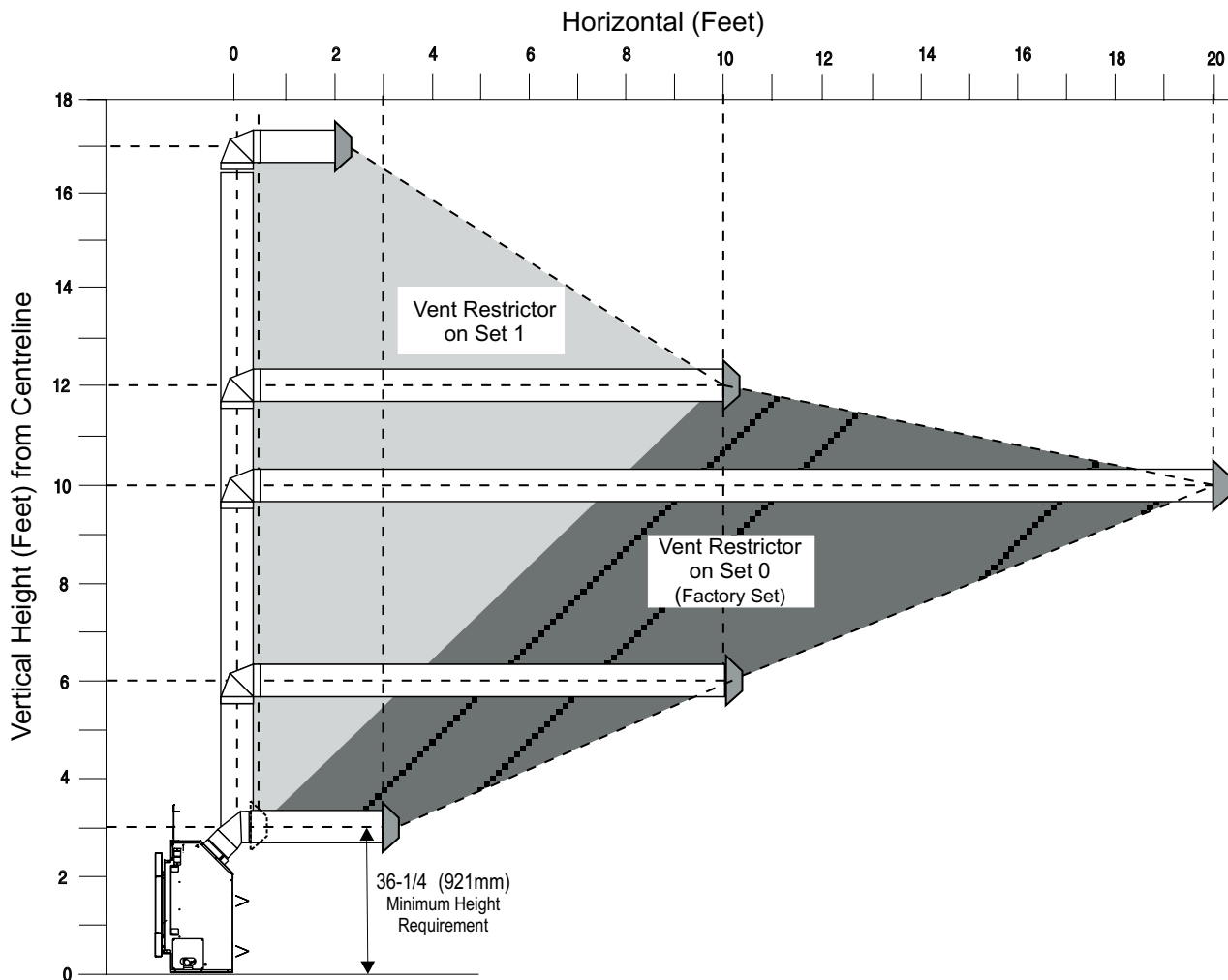
**Note:** These flue pipes must not be connected to any other appliance.

The gas appliance and vent system must be vented directly to the outside of the building, and never be attached to a chimney serving a separate solid fuel or gas burning appliance. Each direct vent gas appliance must use its own separate vent system. Common vent systems are prohibited.

## VENTING ARRANGEMENT FOR HORIZONTAL TERMINATIONS

The diagram shows all allowable combinations of vertical runs with horizontal terminations, using one 90° (two 45° elbows equal one 90° elbow). (Not including the starting 45° elbow at the flue collar when using rigid venting.)

**Note:** Must use optional rigid pipe adapter (Part# 510-994. when using Rigid Pipe Venting Systems).



### VENT RESTRICTOR SETTING:

**Vent restrictor factory set at Set 0.**

Refer to the "Vent Restrictor Position" section for details on how to change the vent restrictor from the factory setting of Set 0 to Set 1 if required.

**Note:** For horizontal terminations the Regency Direct Vent Flex System may be used for installations with a maximum continuous vent length of up to 10 feet. If longer runs are required, rigid pipe must be used.

- Maintain clearances to combustibles as listed in "Clearances" section
- Horizontal vent must be supported every 3 feet.
- Firestops are required at each floor level and whenever passing through a wall.
- A vent guard should be used whenever the termination is lower than the specified minimum or as per local codes.
- Flex system can only be used up to 10 feet - otherwise rigid venting must be used.

## HORIZONTAL TERMINATIONS

### FLEX VENT 4" X 6-7/8"

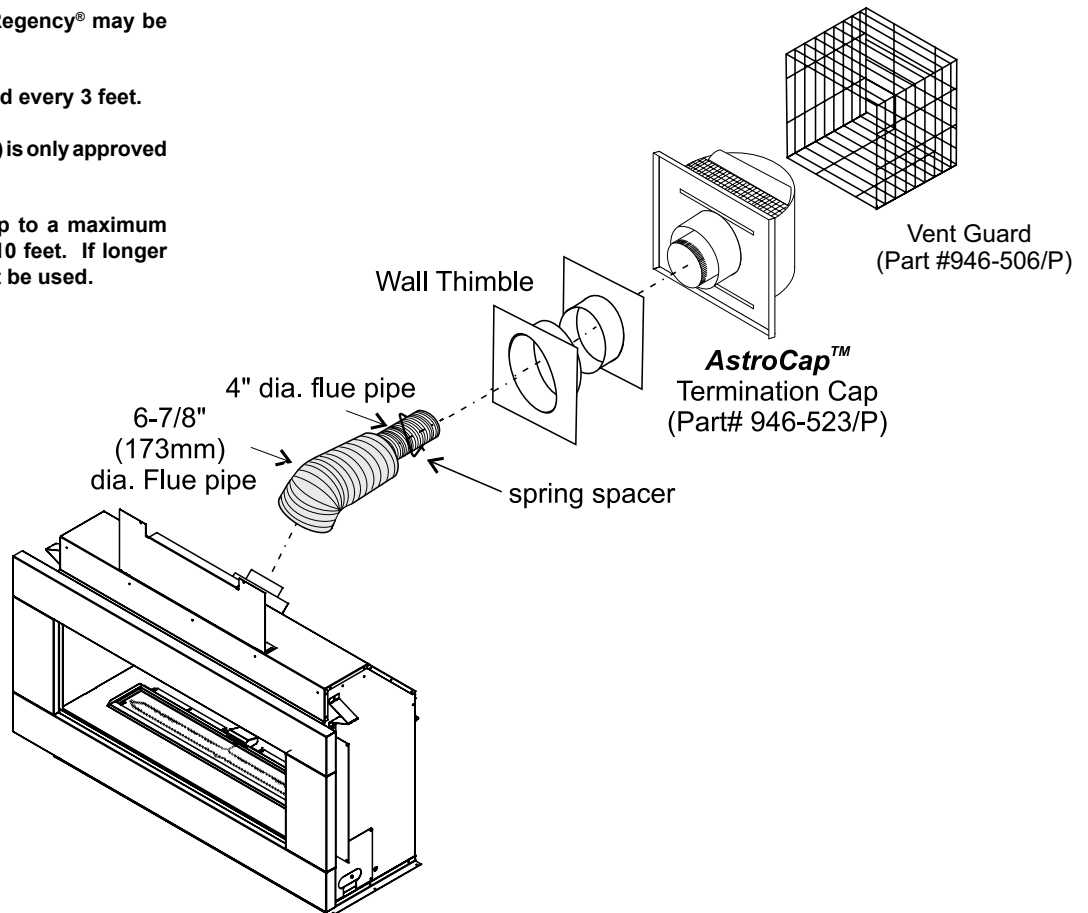
These venting systems, in combination with the HZ40E Direct Vent Gas Fireplace, has been tested and listed as a direct vent heater system by Warnock Hersey/ Intertek. The location of the termination cap must conform to the requirements in the Vent Terminal Locations diagram in "Exterior Vent Termination Locations" section.

Regency® Direct Vent (Flex) System Termination Kits includes all the parts needed to install the HZ40E using a flexible vent.

FPI Kit #	Length	Contains:
#946_513	2 Feet	1. 6-7/8" flexible outer liner (Kit length) 2. 4" flexible inner liner (Kit length) 3. spring spacers 4. thimble
#946_515	4 Feet	5. <b>AstroCap</b> termination cap 6. screws 7. tube of Mill Pac
#946_516	10 Feet	8. plated screws 9. S.S. screws #8 x 1-1/2" drill point

**Notes:**

1. Liner sections should be continuous without any joints or seams.
2. Only Flex pipe purchased from Regency® may be used for Flex installations
3. Horizontal vent must be supported every 3 feet.
4. Regency® Direct Vent System (Flex) is only approved for horizontal terminations.
5. Flex system can only be used up to a maximum continuous vent length of up to 10 feet. If longer runs are required, rigid pipe must be used.



## HORIZONTAL TERMINATIONS RIGID PIPE 4" X 6-5/8"

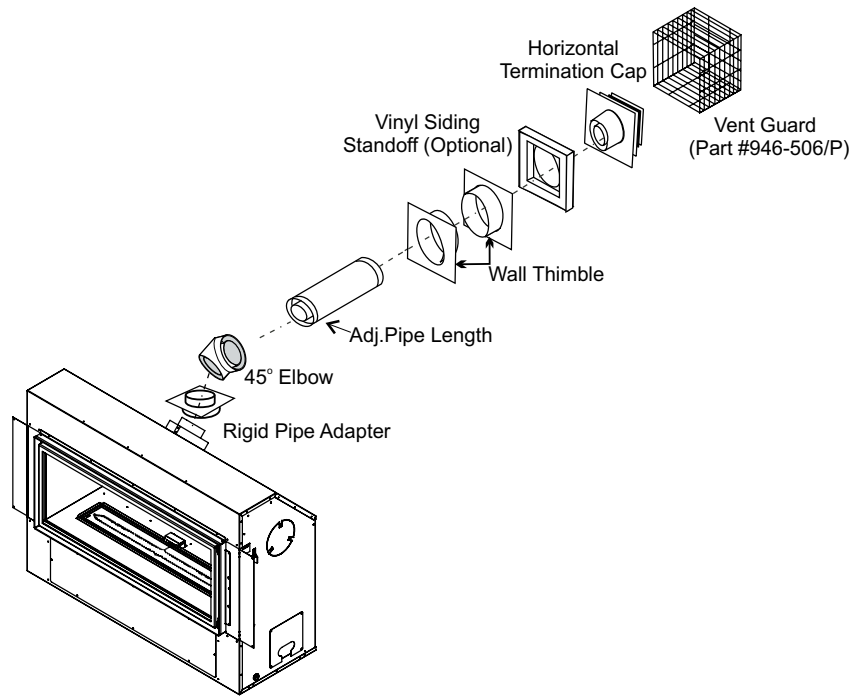
The minimum components required for a basic horizontal termination are:

- 1 Horizontal Termination Cap
- 1 45° Elbow
- 1 Rigid Pipe Adaptor (#510-994)
- 1 Wall Thimble
- 1 Length of pipe to suit wall thickness (see chart)

Wall thickness is measured from the back standoffs to the inside mounting surface of termination cap. For siding other than vinyl furring strips may be used, instead of the vinyl siding standoff, to create a level surface to mount the vent terminal. The Terminal must not be recessed into siding. Measure the wall thickness including furring strips.

If a Vinyl Siding Standoff is required (it must be used with vinyl siding), measure to outside surface of wall without siding and add 2 inches.

Flat Wall Installation	
Wall Thickness (inches)	Vent Length Required (inches)
4" - 5-1/2"	6"
7" - 8-1/2"	9"
10" - 11-1/2"	12"
9" - 14-1/2'	11" - 14-5/8" Adj. Pipe
15" - 23-1/2"	17" - 24" Adj. Pipe



**WARNING:**

Do not combine venting components from different venting systems.

However use of the the AstroCap™ and FPI Riser is acceptable with all systems.

This product has been evaluated by Intertek for using a Rigid Pipe Adaptor in conjunction with DuraVent Direct-Vent, Selkirk Direct-Temp, Ameri Vent Direct Venting, ICC Excel Direct and Security Secure Vent systems. Use of these systems with the Rigid Pipe adaptor is deemed acceptable and does not affect the Intertek WHI listing of components.

**When using Rigid Vent other than Simpson Dura-Vent, 3 screws must be used to secure rigid pipe to adaptor.**

The FPI AstroCap™ and FPI Riser Vent terminal are certified for installations using FPI venting systems as well as Simpson Dura-Vent® Direct Vent, American Metal Products Ameri Vent Direct Vent, Security Secure Vent®, ICC Excel, Selkirk Direct-Temp. AstroCap™ is a proprietary trademark of FPI Fireplace Products International Ltd. Dura-Vent® and Direct Vent are registered and/or proprietary trademarks of Simpson Dura-Vent Co. Inc.

## HORIZONTAL TERMINATIONS

### RIGID PIPE 4" X 6-5/8"

The diagrams below shows examples of horizontal termination arrangements using one, two, or three 90° elbows (two 45° elbows equal one 90° elbow)

1. A maximum of three 90° elbows are permitted (not including the starting 45° elbow at the flue collar when using rigid venting).
  2. Minimum distance between elbows is 1 ft. (305mm).
- Maintain clearances to combustibles as listed in the "Clearances" section.
  - Horizontal vent must be supported every 3 feet.
  - Firestops are required at each floor level and whenever passing through a wall.
  - Must use optional rigid pipe adaptor (Part# 510-994. when using rigid pipe vent systems.
  - A vent guard should be used whenever the termination is lower than the specified minimum or as per local codes.
  - Flex system can only be used up to 10 feet - otherwise rigid venting must be used.

#### Straight Out Horizontal Venting

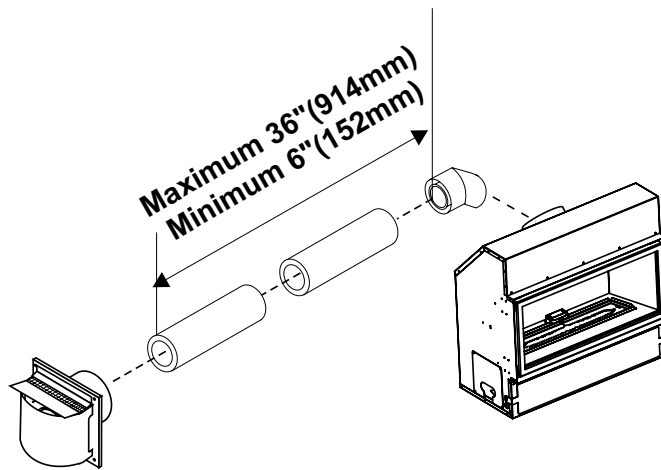
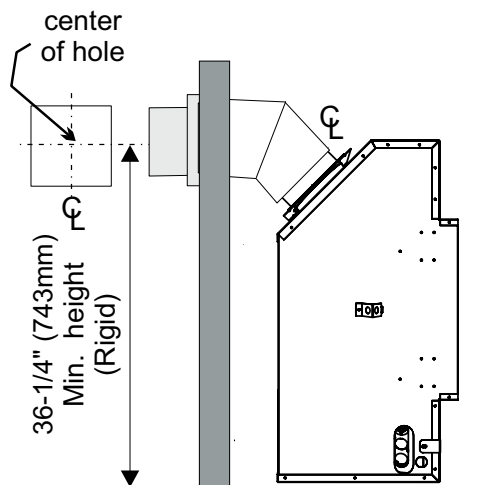


Diagram 1



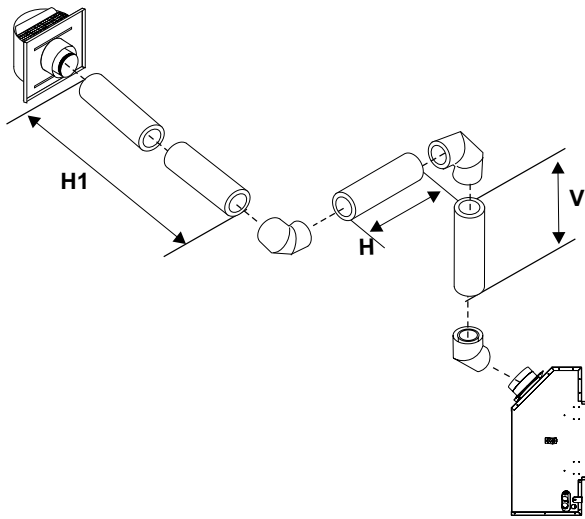
**Please note the minimum centerline for basic install shown above.**

Horizontal Venting with Two (2) 90° Elbows

One 90° elbow = Two 45° elbows.

Option	V	H + H1	With these options, maximum total pipe length is 28 feet with minimum of 6 feet total vertical and maximum 8 feet total horizontal.  <i>Please note minimum 1 foot between 90° elbows is required.</i>
A)	1' Min.	3' Max.	
B)	2' Min.	4' Max.	
C)	3' Min.	5' Max.	
D)	4' Min.	6' Max.	
E)	5' Min.	7' Max.	
F)	6' Min.	8' Max.	

Restrictor Position - Set 0 (factory setting)

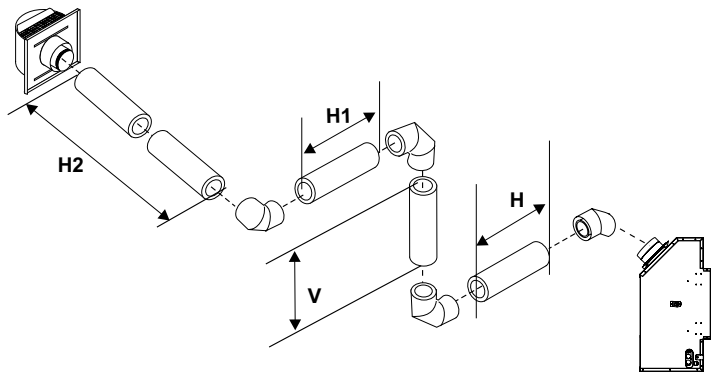


Horizontal Venting with Three (3) 90° Elbows

One 90° elbow = Two 45° elbows.

Option	H	V	H+H1+H2	With these options, maximum total pipe length is 28 feet with minimum of 11 feet total vertical and maximum 9 feet total horizontal.  <i>Please note minimum 1 foot between 90° elbows is required.</i>
A)	1' Max.	1' Min.	3' Max.	
B)	2' Max.	3' Min.	5' Max.	
C)	3' Max.	5' Min.	6' Max.	
D)	4' Max.	7' Min.	7' Max.	
E)	5' Max.	9' Min.	8' Max.	
F)	6' Max.	11' Min.	9' Max.	

Restrictor Position - Set 0 (factory setting)

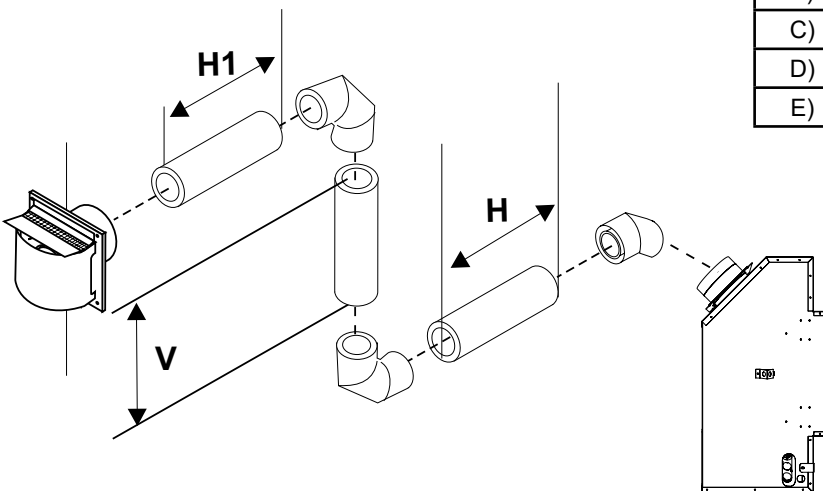


Horizontal Venting with Two (2) 90° Elbows

One 90° elbow = Two 45° elbows.

Option	H	V	H+H1	With these options, maximum total pipe length is 28 feet with minimum of 8 feet total vertical and maximum 8 feet total horizontal.  <i>Please note minimum 1 foot between 90° elbows is required.</i>
A)	1' Max.	1' Min.	3' Max.	
B)	2' Max.	2' Min.	5' Max.	
C)	3' Max.	4' Min.	6' Max.	
D)	4' Max.	6' Min.	7' Max.	
E)	5' Max.	8' Min.	8' Max.	

Restrictor Position - Set 0 (factory setting)

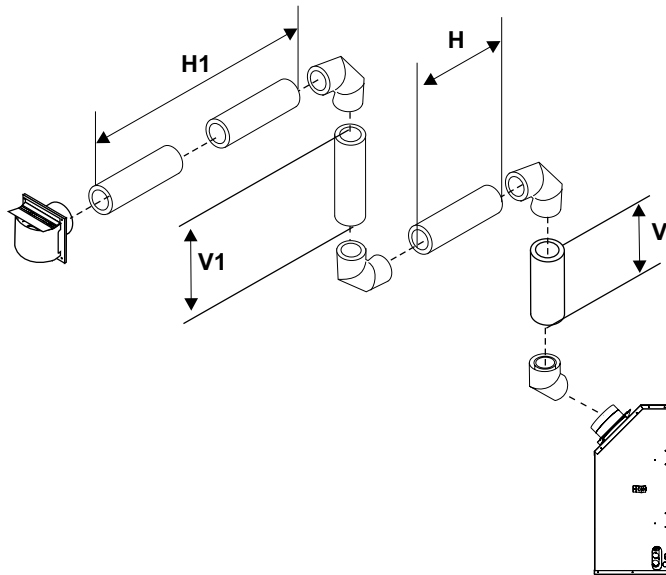


Horizontal Venting with Three (3) 90° Elbows

*One 90° elbow = Two 45° elbows.*

Option	V	H	V+V1	H+H1	With these options, maximum total pipe length is 28 feet with minimum of 12 feet total vertical and maximum 9 feet total horizontal.  <b><i>Please note minimum 1 foot between 90° elbows is required.</i></b>
A)	2' Min.	1' Max.	3' Min.	4' Max.	
B)	3' Min.	2' Max.	4' Min.	5' Max.	
C)	4' Min.	3' Max.	6' Min.	6' Max.	
D)	5' Min.	4' Max.	8' Min.	7' Max.	
E)	6' Min.	5' Max.	10' Min.	8' Max.	
F)	7' Min.	6' Max.	12' Min.	9' Max.	

Restrictor Position - Set 0 (factory setting)





## VERTICAL TERMINATIONS

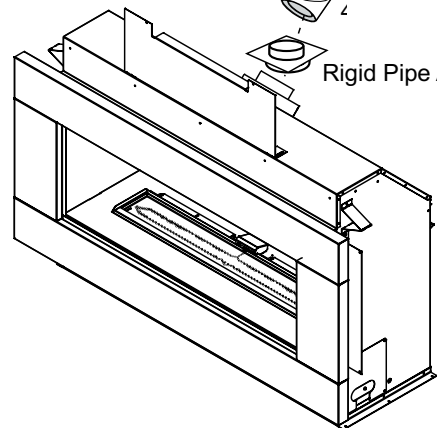
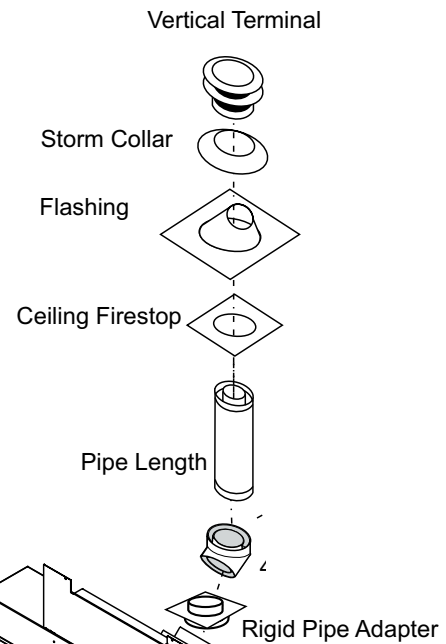
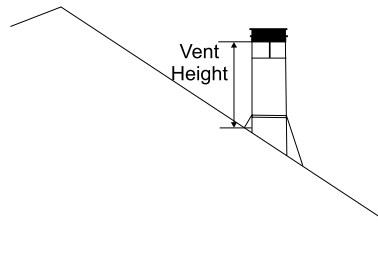
### RIGID PIPE 4" X 6-5/8"

The minimum components required for a basic vertical termination are:

- 1 Vertical Termination Cap
- 1 45° Elbow
- 1 Rigid Pipe Adaptor (510-994)
- 1 Ceiling Firestop
- 1 Flashing
- 1 Storm Collar
- 1 Length of pipe to suit wall thickness (see chart)

Galvanized pipe is desirable above the roofline due to its higher corrosion resistance. Continue to add pipe sections through the flashing until the height of the vent cap meets the minimum height requirements specified in Dia. 4 or local codes. Note that for steep roof pitches, the vertical height must be increased. A poor draft, or down drafting can result from high wind conditions near big trees or adjoining roof lines, in these cases, increasing the vent height may solve the problem.

Roof Pitch	Minimum Vent Height	
	Feet	Meters
flat to 7/12	2	0.61
over 7/12 to 8/12	2	0.61
over 8/12 to 9/12	2	0.61
over 9/12 to 10/12	2.5	0.76
over 10/12 to 11/12	3.25	0.99
over 11/12 to 12/12	4	1.22
over 12/12 to 14/12	5	1.52
over 14/12 to 16/12	6	1.83
over 16/12 to 18/12	7	2.13
over 18/12 to 20/12	7.5	2.29
over 20/12 to 21/12	8	2.44



**WARNING:**

Do not combine venting components from different venting systems.

However use of the the AstroCap™ and FPI Riser is acceptable with all systems.

This product has been evaluated by Intertek for using a Rigid Pipe Adaptor in conjunction with Duravent Direct-Vent, Selkirk Direct-Temp, Ameri Vent Direct Venting, ICC Excel Direct and Security Secure Vent systems. Use of these systems with the Rigid Pipe adaptor is deemed acceptable and does not affect the Intertek WHI listing of components.

**When using Rigid Vent other than Simpson Dura-Vent, 3 screws must be used to secure rigid pipe to adaptor.**

The FPI AstroCap™ and FPI Riser Vent terminal are certified for installations using FPI venting systems as well as Simpson Dura-Vent® Direct Vent, American Metal Products Ameri Vent Direct Vent, Security Secure Vent®, ICC Excel, Selkirk Direct-Temp. AstroCap™ is a proprietary trademark of FPI Fireplace Products International Ltd. Dura-Vent® and Direct Vent are registered and/or proprietary trademarks of Simpson Dura-Vent Co. Inc.

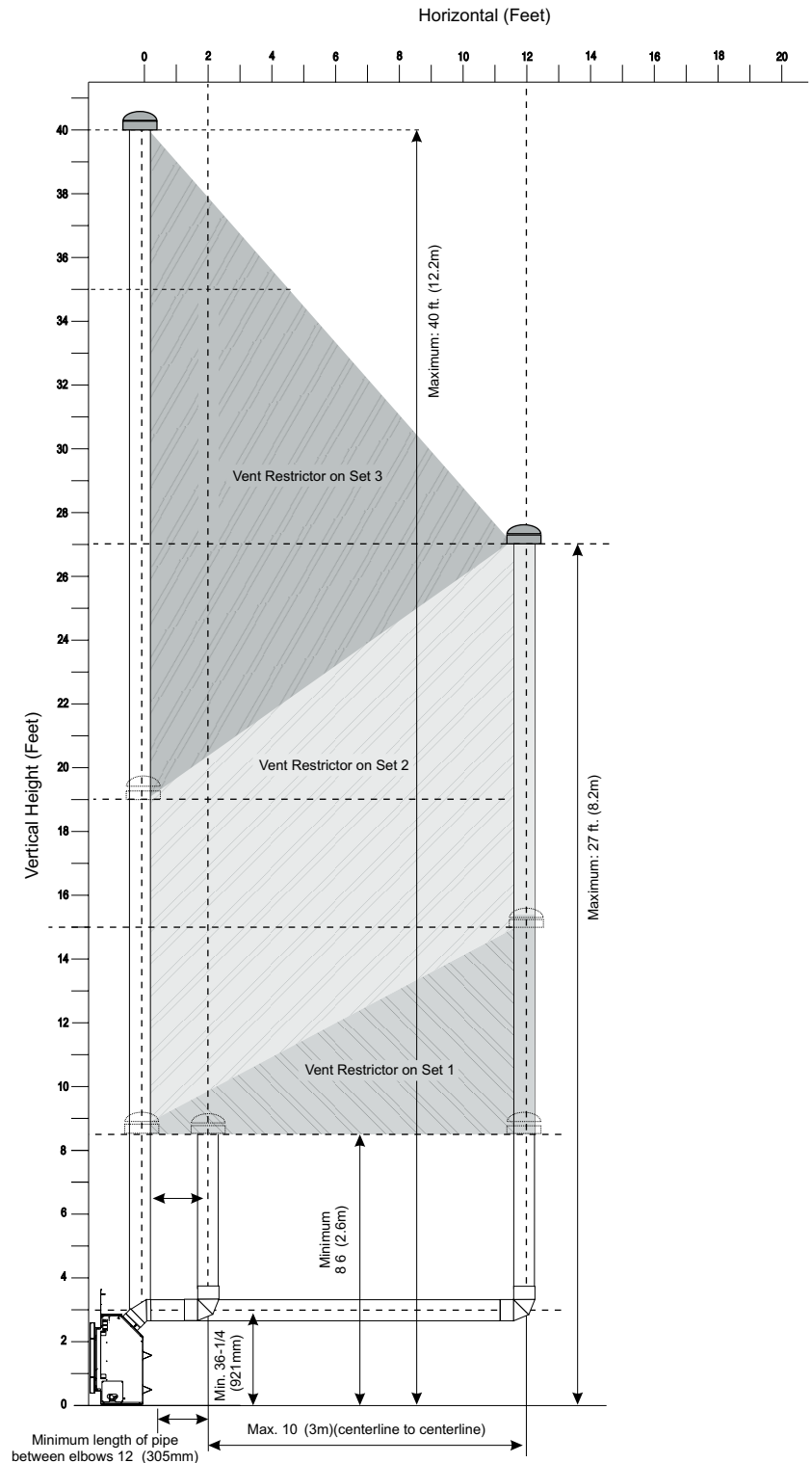
## VENTING ARRANGEMENT FOR VERTICAL TERMINATIONS

### Vertical Venting with One (1) 90° Elbows (1 - 90° = 2 - 45°)

The shaded area in the diagram shows all allowable combinations of straight vertical and offset to vertical terminations, using one 90° elbow, with **Rigid Pipe Venting Systems**.

Two 45° elbows equal to one 90° elbow, not including the starting 45° elbow at the flue collar.

- Vent must be supported at offsets.
- Minimum distance between elbows is 1 ft. (305mm).
- Maintain clearances to combustibles as listed in the "Clearances" section.
- Horizontal vent must be supported every 3 feet.
- Firestops are required at each floor level and whenever passing through a wall.
- Must use optional rigid pipe adaptor (Part# 510-994) when using rigid pipe vent systems.
- Refer to the "Vent Restrictor Position" section for details on how to change the vent restrictor from the factory setting of Set 0 to Set 1 or Set 2 if required.



## VERTICAL TERMINATION WITH CO-LINEAR FLEX SYSTEM

**THE APPLIANCE MUST NOT BE CONNECTED TO A CHIMNEY FLUE SERVING A SEPARATE SOLID FUEL BURNING APPLIANCE.**

Masonry chimneys may take various contours which the flexible liner will accommodate. However, **keep the flexible liner as straight as possible**, avoid unnecessary bending.

The Air Intake pipe must be attached to the inlet air collar of the termination cap.

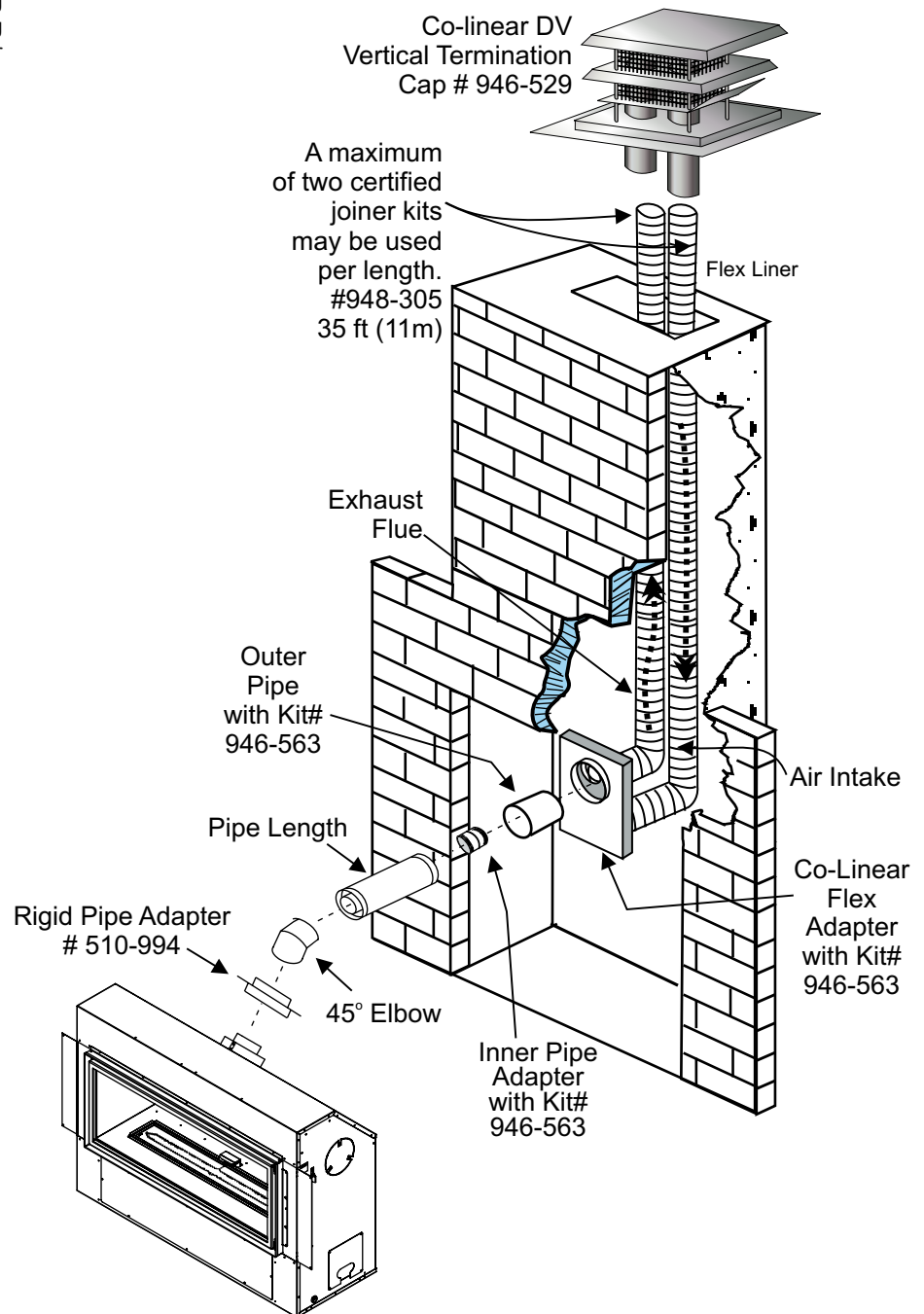
This appliance is designed to be attached to two 3" (76mm) co-linear aluminium flex running the full length of the chimney. See the "Venting Arrangements - Vertical Terminations" Section for minimum and maximum heights.

### Required Parts:

Part #	Description
946-529	Co-linear DV Vertical Termination Cap
948-305	3" Flex - 35 ft.
946-563	Co-Axial to Co-Linear Adapter Kit which contains the following: Co-linear Flex Adapter Outer Pipe Inner Pipe Adapter
510-994	Rigid Pipe Adaptor
46DVA-E45	45° Elbow

### Alternate Approved Caps

46DVA-VC	Vertical Termination Cap
46DVA-VCH	High Wind Cap
46DVA-GK	3" Co-linear Adapter with flashing



## VERTICAL TERMINATIONS

### RIGID PIPE 4" X 6-5/8"

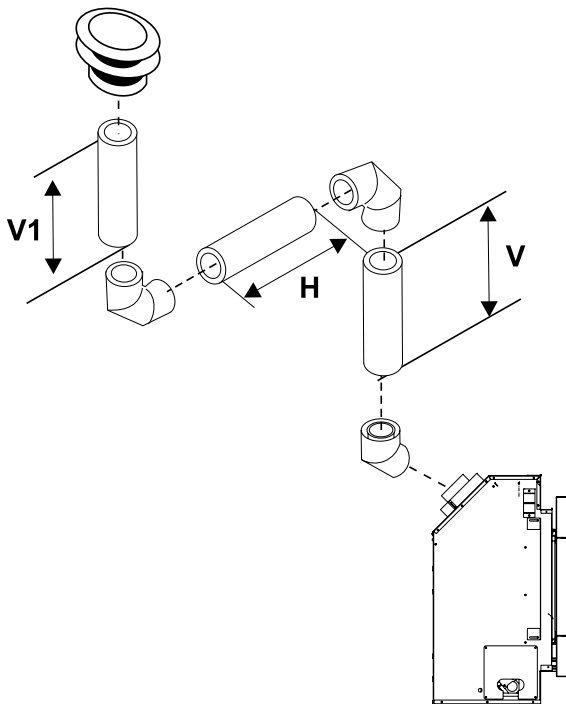
- Two 45° elbows equal to one 90° elbow. Maximum of four 45° elbows allowed, not including the starting 45° elbow at the flue collar.
- Vent must be supported at offsets.
- Minimum distance between elbows is 1 ft. (305mm).
- Maintain clearances to combustibles as listed in the "Clearances" section.
- Horizontal vent must be supported every 3 feet.
- Firestops are required at each floor level and whenever passing through a wall.
- Must use optional rigid pipe adaptor (Part# 510-994) when using rigid pipe vent systems.

#### Vertical Venting with Two (2) 90° Elbows

*One 90° elbow = Two 45° elbows.*

Option	V	H	V+V1	With these options, maximum total pipe length is 30 feet with minimum of 6 feet total vertical and maximum 8 feet total horizontal.  <b>Please note minimum 1 foot between 90° elbows is required.</b>
A)	1' Min.	4' Max.	2' Min.	
B)	2' Min.	5' Max.	3' Min.	
C)	3' Min.	6' Max.	4' Min.	
D)	4' Min.	7' Max.	5' Min.	
E)	5' Min.	8' Max.	6' Min.	

Restrictor Position - Set 0 (factory setting)

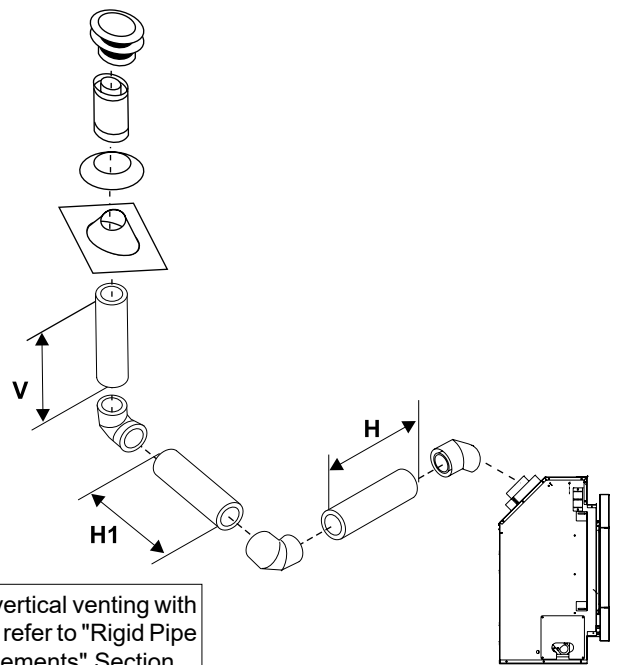


#### Vertical Venting with Two (2) 90° Elbows

*One 90° elbow = Two 45° elbows.*

Option	H + H1	V	With these options, maximum total pipe length is 30 feet with minimum of 6 feet total vertical and maximum 6 feet total horizontal.  <b>Please note minimum 1 foot between 90° elbows is required.</b>
A)	2' Max.	2' Min.	
B)	3' Max.	3' Min.	
C)	4' Max.	4' Min.	
D)	5' Max.	5' Min.	
E)	6' Max.	6' Min.	

Restrictor Position - Set 0 (factory setting)

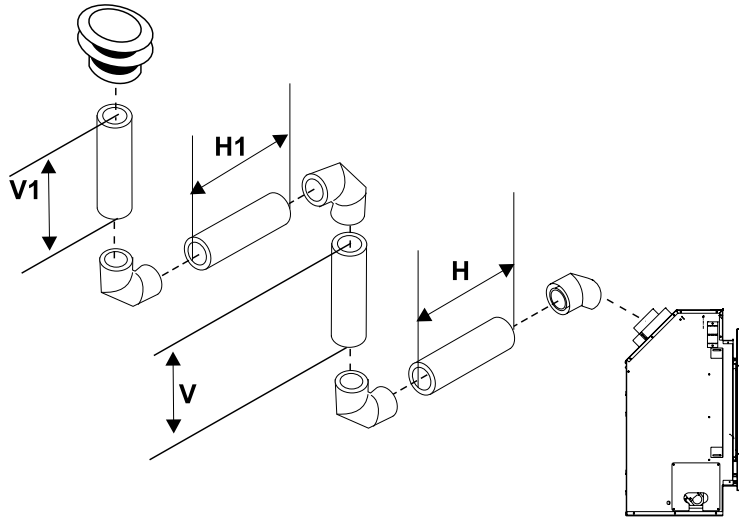


For additional vertical venting with 2 x 90° elbows, refer to "Rigid Pipe Venting Arrangements" Section.

**Vertical Venting with Three (3) 90° Elbows**

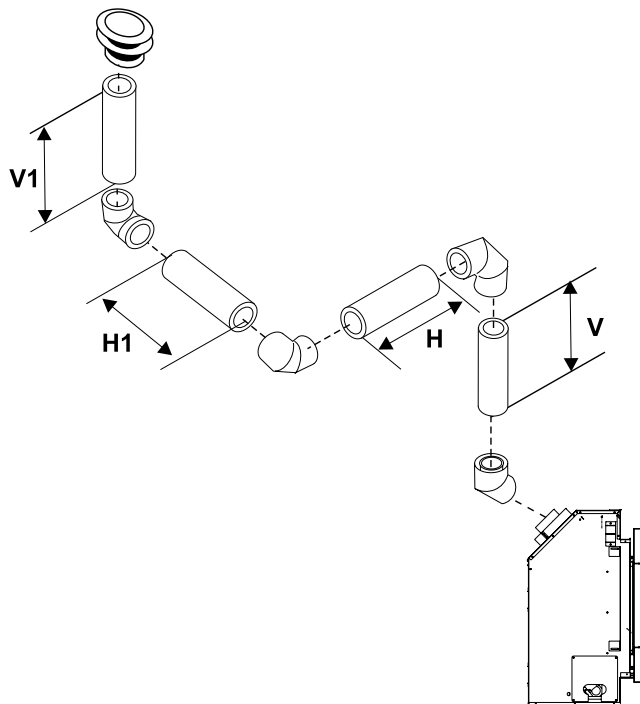
*One 90° elbow = Two 45° elbows.*

Option	H	V	H + H1	V + V1	
A)	1' Max.	1' Min.	3' Max.	3' Min.	With these options, max. total pipe length is 30 feet with min. of 11 feet total vertical and max. 7 feet total horizontal. <b>Please note min. 1 foot between 90° elbows is required.</b>
B)	2' Max.	2' Min.	4' Max.	5' Min.	
C)	3' Max.	3' Min.	5' Max.	7' Min.	
D)	4' Max.	4' Min.	6' Max.	9' Min.	
E)	5' Max.	5' Min.	7' Max.	11' Min.	
Restrictor Position - Set 0 (factory setting)					



**Vertical Venting with Three (3) 90° Elbows**

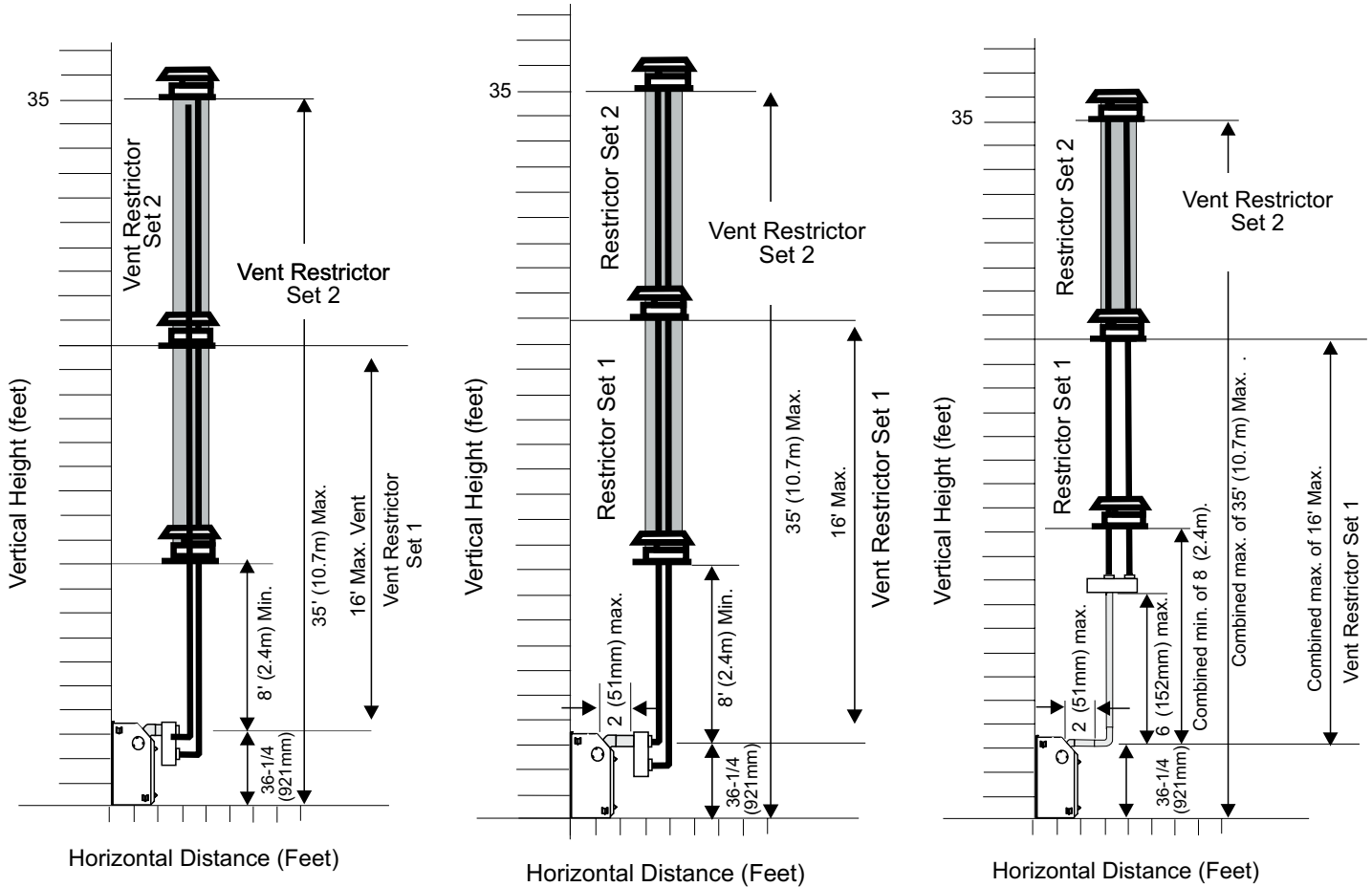
*One 90° elbow = Two 45° elbows.*



Option	V	H + H1	V + V1	
A)	2' Min.	3' Max.	4' Min.	With these options, max. total pipe length is 30 feet with min. of 10 feet total vertical and max. 8 feet total horizontal. <b>Please note min. 1 foot between 90° elbows is required.</b>
B)	3' Min.	4' Max.	6' Min.	
C)	4' Min.	5' Max.	7' Min.	
D)	5' Min.	6' Max.	8' Min.	
E)	6' Min.	7' Max.	9' Min.	
F)	7' Min.	8' Max.	10' Min.	

Restrictor Position - Set 0 (factory setting)

**VENTING ARRANGEMENTS - VERTICAL TERMINATIONS**  
 with Co-linear Flex System for both Residential & Manufactured Homes into Masonry Fireplaces



The shaded area in the diagrams show the allowable vertical terminations when using two-3" co-linear aluminium flex and 4 x 6-5/8" rigid pipe.

## UNIT INSTALLATION WITH HORIZONTAL TERMINATION 4" X 6-5/8" VENTING (Rigid Vent Systems)

### Minimum Vent Clearances to Combustibles

\* Clearances noted below must be maintained; except when passing through a wall, ceiling or at the termination where the use of a firestop or wall thimble reduces clearance to 1-1/2" (38mm).

Horizontal Top*	3" (76mm)*
Horizontal Side	2" (51mm)
Horizontal Bottom	2" (51mm)
Vertical Vent	2" (51mm)

Below are the recommended framing dimensions (inside measurements) for the 4" x 6-5/8" rigid vent terminations - for use with a firestop or wall thimble.

Recommended Framed Opening Size	
Vent Size	Framing Size
4" x 6 - 5/8"	10" x 10"

Install the vent system according to the manufacturer's instructions included with the components.

1. Set the unit in its desired location. Check to determine if wall studs or roof rafters are in the way when the venting system is attached. If this is the case, you may want to adjust the location of the unit. Rough in the gas preferably on the right side of the unit and the electrical (junction block is on the left side) on the left.
2. Direct Vent pipe and fittings are designed with special twist-lock connections to connect the venting system to the appliance flue outlet. A twist-lock appliance adaptor is required.
3. In conjunction with the Approved Vent system, install the adaptor after the unit is set in its desired location. Put a bead of Mill-Pac inside the outer section of the adapter and a bead of Mill-Pac on the inner collar. Slip the adaptor over the existing inner and outer flue collar. Fasten to the outer collar only with the 3 supplied screws (drilling pilot holes will make this easier).
4. Level the fireplace and fasten it to the framing using nails or screws through the top and side nailing strips.

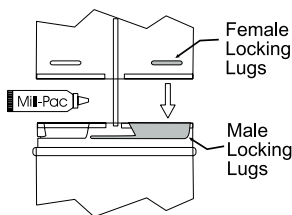


Diagram 1

5. Assemble the desired combination of pipe and elbows to the appliance adaptor and twist-lock for a solid connection.

**Note:** For best results and optimum performance with each approved venting system, it is highly recommended to apply Mill-Pac sealant (supplied) to every inner pipe connection. Failure to do so may result in drafting or performance issues not covered under warranty.

**Horizontal runs of vent must be supported every 3 feet (0.9meter). Wall straps are available for this purpose.**

6. Mark the wall for a square hole.-see chart to left for size. The center of the square hole should line up with the centerline of the horizontal pipe. Cut and frame the square hole in the exterior wall where the vent will be terminated. See diagram 2 for center line requirements.

If the wall being penetrated is constructed of non-combustible material, i.e. masonry block or concrete, an 8" (203mm) diameter hole is acceptable.

**Note:**

- a) The horizontal run of vent must be level, or have a 1/4 inch rise for every 1 foot of run towards the termination. Never allow the vent to run downward. This could cause high temperatures and may present the possibility of a fire.
- b) The location of the horizontal vent termination on an exterior wall must meet all local and national building codes,

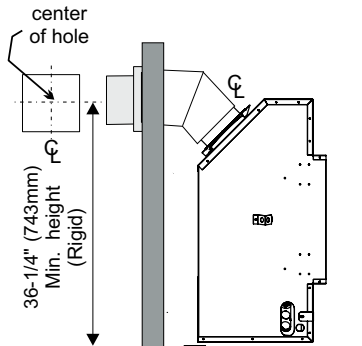


Diagram 2

7. Ensure that the pipe clearances to combustible materials are maintained (Diagram 3). Install the termination cap.

**Note:** If installing termination on a vinyl siding covered wall, a vinyl siding standoff or furring strips must be used to ensure that the termination is not recessed into the siding.

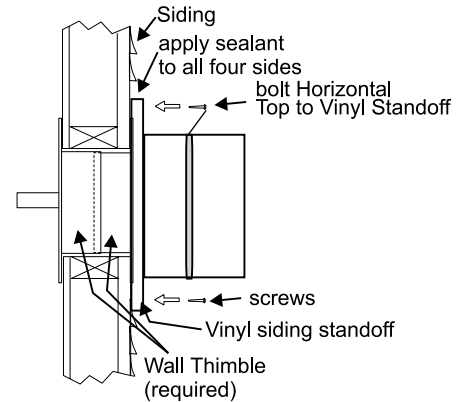


Diagram 3

The four wood screws provided should be replaced with appropriate fasteners for stucco, brick, concrete, or other types of sidings.

8. Before connecting the horizontal run of vent pipe to the vent termination, slide the Wall Thimble over the vent pipe. The wall thimble is required for all horizontal terminations.
9. Slide the appliance and vent assembly towards the wall carefully inserting the vent pipe into the vent cap assembly. It is important that the vent pipe extends into the vent cap sufficient distance so as to result in a minimum pipe overlap of 1-1/4 inches (32mm). Secure the connection between the vent pipe and the vent cap.
10. Install wall thimble in the center of the framed hole and attach with wood screws (Diagram 4).

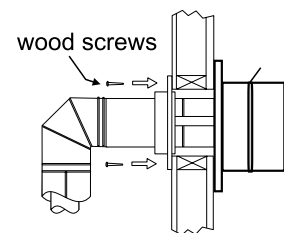


Diagram 4

**UNIT INSTALLATION WITH HORIZONTAL TERMINATION 4" X 6-5/8" VENTING (Flex Vent Systems)**

**Minimum Vent Clearances to Combustibles**

\* Clearances noted below must be maintained; except when passing through a wall, ceiling or at the termination where the use of a firestop or wall thimble reduces clearance to 1" (25mm).

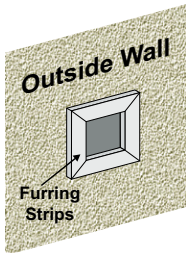
Horizontal Top*	3" (76mm)*
Horizontal Side	2" (51mm)
Horizontal Bottom	2" (51mm)
Vertical Vent	2" (51mm)

Below are the recommended framing dimensions (inside measurements) for the 4" x 6-5/8" flex vent terminations - for use with a firestop or wall thimble.

Recommended Framed Opening Size	
Vent Size	Framing Size
4" x 6 - 5/8"	10" x 10"

1. Locate the unit in the framing, rough in the gas (preferably on the right side of the unit). Locate the centerline of the termination and mark wall accordingly. Cut an square hole in the wall - see chart (inside dimension).

**Note:** If installing termination on a siding covered wall, a vinyl siding standoff or vinyl furring strips must be used to ensure that the termination is not recessed into the siding.



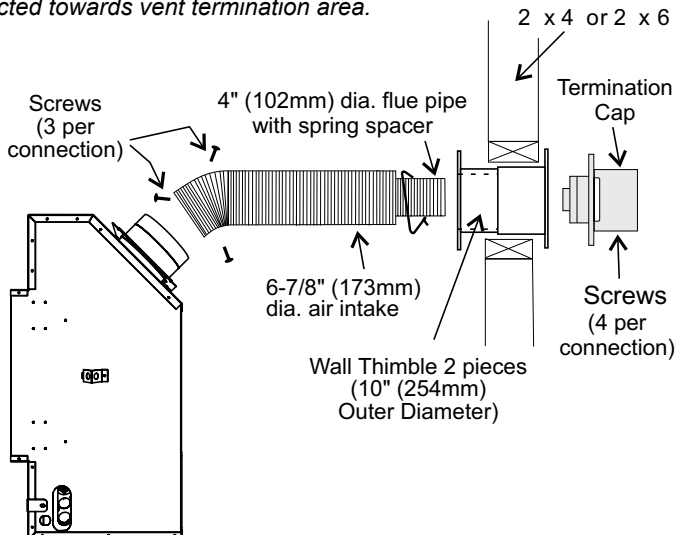
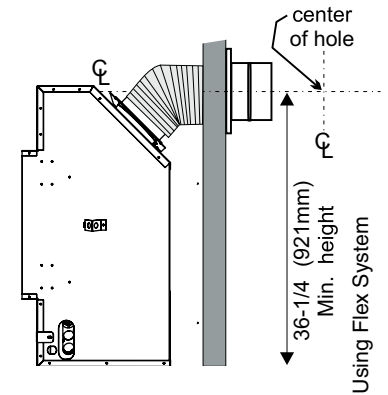
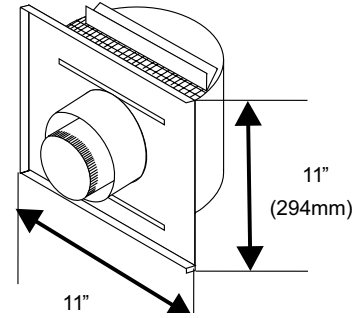
2. Level the fireplace and fasten it to the framing using nails or screws through the nailing strips.
3. Assemble the vent assembly by applying Mill Pac to the inner flue collar of the termination and slipping the inner flex liner over it at least 1-3/8" (35mm). Fasten with the 3 screws (drilling pilot holes will make this easier). Apply Mill-Pac to the outer flex pipe and slip it over the outer flue collar of the vent terminal at least 1-3/8"(35mm) and fasten with the 3 screws.

**NOTE:** Horizontal sections must be supported at intervals not exceeding 3 feet (0.9 meter). (Flame picture and performance will be affected by sags in the liner).

4. Separate the 2 halves of the wall thimble and securely fasten the one with the tabs to the outside wall making sure that the tabs are on top and bottom. Fasten the other thimble half to the inside wall. The thimble halves slip inside each other and can be adjusted for 2 x 4 or 2 x 6 walls.
5. Slip the assembled liner and termination assembly through the thimble making sure the termination cap faces up (there are markings on the cap indicating which way is up). This will position the termination cap with proper down slope for draining water. Fasten the cap to the outer wall with the 4 supplied screws.
6. Pull the centre inner and outer flex liner out enough to slip over the flue collars of the fireplace. (You may wish to cut the liner shorter to make it more workable.) Do not bend liner more than 90°. **The liners must slip over the collars a minimum of 1-3/8".**
7. Apply Mill Pac over the fireplace inner flue collar and slip the inner flex liner down over it and attach with 3 supplied screws.
8. Do the same with the outer flue collar and outer flex liner.
9. Apply a bead of silicone between the thimble and termination and around the outer edge of the terminal at the wall in order to keep the water out.

**IMPORTANT:** Do not locate termination hood where excessive snow or ice buildup may occur. Be sure to check vent termination area after snow falls, and clear to prevent accidental blockage of venting system. When using snow blowers, make sure snow is not directed towards vent termination area.

**ASTROCAP DIMENSIONS (946-523/P)**



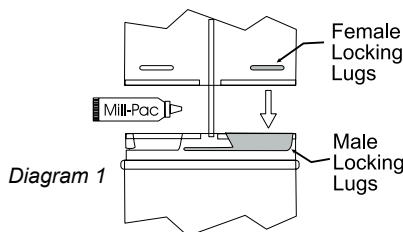


## DURA-VENT HORIZONTAL TERMINATIONS

Install the vent system according to the manufacturer's instructions included with the components.

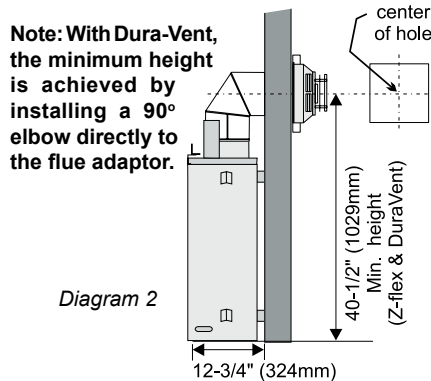
- 1) Set the unit in its desired location. Check to determine if wall studs or roof rafters are in the way when the venting system is attached. If this is the case, you may want to adjust the location of the unit. Rough in the gas preferably on the right side of the unit and the electrical (junction block is on the left side) on the left.
- 2) Direct Vent pipe and fittings are designed with special twist-lock connections to connect the venting system to the appliance flue outlet. A twist-lock appliance adaptor is an available option that must be used in conjunction with the Simpson Dura-Vent Direct Vent system.
- 3) Put a bead of Mill-Pac inside the outer section of the adapter and on the inner collar. Slip the adapter over the existing inner and outer flue collar and fasten to the outer collar only with the 3 supplied screws (drilling pilot holes will make this easier). Level the fireplace and fasten it to the framing using nails or screws through the nailing strips.
- 4) Assemble the desired combination of pipe and elbows to the appliance adaptor and twist-lock for a solid connection.

**Note:** a) Twist-lock procedure: Four indentations, located on the female ends of pipes and fittings, are designed to slide straight onto the male ends of adjacent pipes and fittings, by orienting the four pipe indentations so they match and slide in to the four entry slots on the male ends, Diagram 1. Push the pipe sections completely together, then twist-lock one section clockwise approximately one-quarter turn, until the two sections are fully locked. The female locking lugs will not be visible from the outside, on the Black Pipe or fittings. They may be located by examining the inside of the female ends.



**NOTE:** For best results and optimum performance with each approved venting system, it is highly recommended to apply "Mill-Pac" sealant (supplied) to every inner pipe connection. Failure to do so may result in drafting or performance issues not covered under warranty.

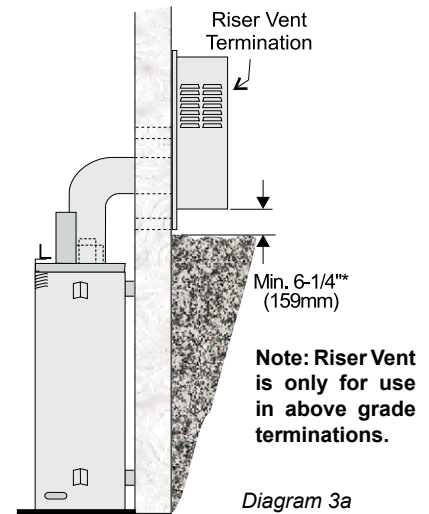
- b) Horizontal runs of vent must be supported every three feet. Wall straps are available for this purpose.
- 5) Mark the wall for a 10" x 10" square hole. The center of the square hole should line up with the centerline of the horizontal pipe. Cut and frame the 10 inch square hole in the exterior wall where the vent will be terminated. If the wall being penetrated is constructed of non-combustible material, i.e. masonry block or concrete, a 7" (178mm) dia. (7-1/2" (191mm) dia. for flex) hole is acceptable.



**Note:**

- a) The horizontal run of vent must be level, or have a 1/4 inch rise for every 1 foot of run towards the termination. Never allow the vent to run downward. This could cause high temperatures and may present the possibility of a fire.
- b) The location of the horizontal vent termination on an exterior wall must meet all local and national building codes, and must not be blocked or obstructed. For External Vent Terminal Locations, see the "Exterior Vent Termination Locations" section.

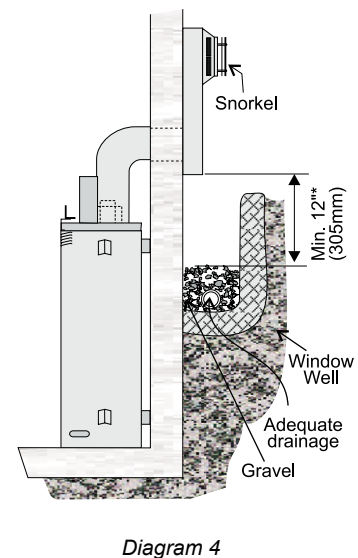
- c) **Snorkel Terminations:** For installations requiring a vertical rise on the exterior of the building, 14-inch and 36-inch tall Snorkel Terminations are available, as well as the standard Riser Vent. Follow the same installation procedures as used for standard Horizontal Termination. NEVER install the snorkel upside down.



\*Diagrams 3 & 4: As specified in CGA B149 Installation Code. Local codes or regulations may require different clearances.

### Below Grade Installation

If the Snorkel Termination must be installed below grade, i.e. basement application, proper drainage must be provided to prevent water from entering the Snorkel Termination. Refer to Diagram 4. Do not attempt to enclose the Snorkel within the wall, or any other type of enclosure.



**NOTE:** For Snorkel terminations in ABOVE grade installations, follow national or local code requirements.

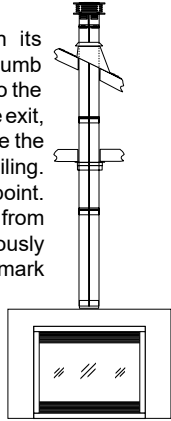
- 6) The arrow on the vent cap should be pointing up. Insure that the 1-1/2" clearances to combustible materials are maintained (Diagram 4). Install the termination cap.

The four wood screws provided should be replaced with appropriate fasteners for stucco, brick, concrete, or other types of sidings.

**UNIT INSTALLATION WITH VERTICAL TERMINATION**  
**4" X 6-5/8" VENTING**  
*(Rigid Vent Systems)*

1. Maintain the 1-1/2" clearances (air spaces) to combustibles when passing through ceilings, walls, roofs, enclosures, attic rafter, or other nearby combustible surfaces. Do not pack air spaces with insulation. Check "Venting" Sections for the maximum vertical rise of the venting system and the maximum horizontal offset limitations.

2. Set the gas appliance in its desired location. Drop a plumb bob down from the ceiling to the position of the appliance flue exit, and mark the location where the vent will penetrate the ceiling. Drill a small hole at this point. Next, drop a plumb bob from the roof to the hole previously drilled in the ceiling, and mark the spot where the vent will penetrate the roof.



3. A Firestop spacer must be installed in the floor or ceiling of every level. To install the Firestop spacer in a flat ceiling or wall, cut a 10 inch square hole. Frame the hole as shown in Diagram 2 and install the firestop.

**Note: All vertical terminations are vented using 4" x 6-5/8" venting and rigid pipe adaptor #510-994.**

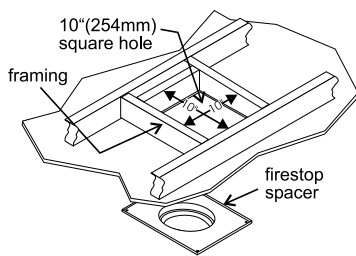
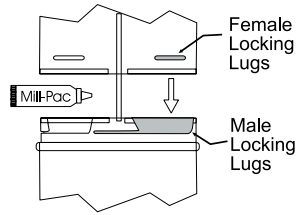


Diagram 2

4. Assemble the desired lengths of pipe and elbows. Ensure that all pipes and elbow connections are in the fully twist-locked position and sealed.



**NOTE: For best results and optimum performance with each approved venting system, it is highly recommended to apply "Mill-Pac" sealant (supplied) to every inner pipe connection. Failure to do so may result in drafting or performance issues not covered under warranty.**

5. Cut a hole in the roof centered on the small drilled hole placed in the roof in Step 2. The hole should be of sufficient size to meet the minimum requirements for clearance to combustibles of 1-1/2". Slip the flashing under the shingles (shingles should overlap half the flashing) as per Diagram 3.

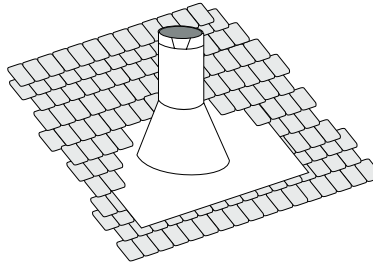


Diagram 3: The upper half of the flashing is installed under the roofing material and not nailed down until the chimney is installed. This allows for small adjustments.

6. Continue to assemble pipe lengths.

**Note: If an offset is necessary in the attic to avoid obstructions, it is important to support the vent pipe every 3 feet, to avoid excessive stress on the elbows, and possible separation. Wall straps are available for this purpose.**

Galvanized pipe is desirable above the roofline due to its higher corrosion resistance. Continue to add pipe sections through the flashing until the height of the vent cap meets the minimum height requirements specified in Dia. 4 or local codes. Note that for steep roof pitches, the vertical height must be increased. A poor draft, or down drafting can result from high wind conditions near big trees or adjoining roof lines, in these cases, increasing the vent height may solve the problem.

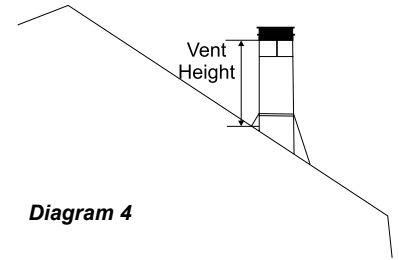


Diagram 4

Roof Pitch	Minimum Vent Height	
	Feet	Meters
flat to 7/12	2	0.61
over 7/12 to 8/12	2	0.61
over 8/12 to 9/12	2	0.61
over 9/12 to 10/12	2.5	0.76
over 10/12 to 11/12	3.25	0.99
over 11/12 to 12/12	4	1.22
over 12/12 to 14/12	5	1.52
over 14/12 to 16/12	6	1.83
over 16/12 to 18/12	7	2.13
over 18/12 to 20/12	7.5	2.29
over 20/12 to 21/12	8	2.44

7. Ensure vent is vertical and secure the base of the flashing to the roof with roofing nails, slide storm collar over the pipe section and seal with a mastic.

8. Install the vertical termination cap by twist-locking it.

*Note: Any closets or storage spaces, which the vent passes through must be enclosed.*

## VERTICAL TERMINATION 4" X 6-7/8" VENTING

- Maintain the 1-1/2" clearance (air space) to combustibles when passing through ceilings, walls, floors, enclosures, attic rafters or other nearby combustibles. Do not pack air spaces with insulation. Check Venting sections for the maximum vertical rise of the venting system and the maximum horizontal offset limitations.  
Ensure that you maintain clearances around enclosures, walls, below or above floors, floor joists, etc. Each appliance has different clearance requirements (top,sides,bottom). See specific appliance manual for details.
- Set the appliance in its desired position. Drop a plumb bob down from the ceiling/floor joist to the position of the appliance flue exit and mark the location where the vent will penetrate the ceiling. Drill a small hole at this point. Next drop a plumb bob from the roof to the hole previously drilled at the ceiling level and mark the spot where the vent will penetrate the roof.
- Cut a hole in the roof centered on the small hole placed in the roof in the previous steps. The hole should be a minimum of 10-1/4 inches. The hole may be round and or square.
- Slip the flashing under the shingles and line up flashing so it is centered to the hole (shingles should overlap half of the flashing) as per Diagram 1.

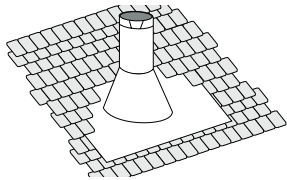


Diagram 1: The upper half of the flashing is installed under the roofing material and not nailed down until the chimney is installed. This allows for small adjustments.

Diagram 1

- A ceiling firestop/firestop spacer must be installed when passing through each floor or ceiling level. To install the ceiling firestop/firestop spacer in a flat ceiling or floor joist cut a 10- 1/4 inch square hole. Frame the hole as show in Diagram 1 and install the ceiling firestop. Slide the top attic insulation spacer onto the top of the attic insulation shield/firestop - See Diagram 1a. Secure with 4 screws/nails. If more than one is required, these can be purchased separately.

**Note:** The ceiling firestop/firestop spacer may be cut down to size if this shield is too high for the application.

*Firestop spacer to prevent debris from falling into the ceiling firestop*

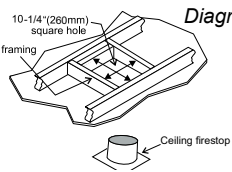


Diagram 2

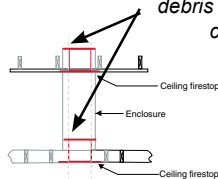


Diagram 2a

- Determine the overall height of the chimney from the top of the appliance to the underside of the flashing. If required cut the flexible inner and outer pipe to the desired length up to a maximum of 20 feet.
- Put a bead of Mill-Pac around the 4 inch collar on the appliance and slide the inner flex pipe over the inner collar of the appliance and secure with a minimum of 3 screws.
- Install 4 inch spacers around 4 inch flex.
- Repeat Step 7 to install the outer pipe to the outer collar of the appliance

**Note:** If an offset is necessary in the attic or floor joists it is important to support the vent pipe every 3 feet to avoid excessive stress and sagging of the vent pipe. Wall straps are provided (3 in total) for this purpose. All round/plumbers strapping may also be used if further supports are required.

- Attach the rigid pipe section to the adaptor by using Mill-Pac on the inner/ outer pipe. Use 3 screws to secure outer pipe.

- Secure inner flex pipe to pipe adaptor by using Mill-Pac over the adaptor. Slide the inner pipe over adaptor and secure with 3 screws.
- Repeat Step 11 to secure outer flex.
- Slide the finished length up towards the flashing ensuring the length of pipe is a minimum of 2 feet measured from the top of the roof. Level the chimney and secure using the roof support provided with kit to bottom side of the roof as shown using a minimum of 2 screws per side- see Diagram 3b. See Diagram 4 for roof pitch and height requirements. See Diagram 3a for securing method if 2 ft. is insufficient and additional lengths are required, this may be purchased separately. See Simpson DuraVent components list in the instruction manual for part numbers.

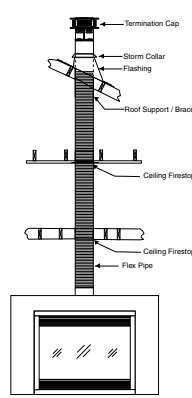


Diagram 3

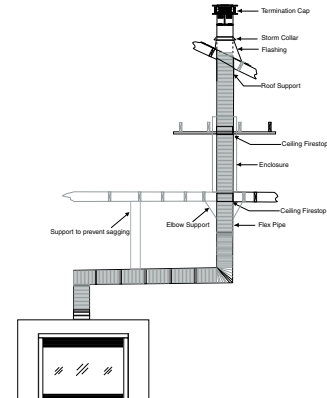


Diagram 3a

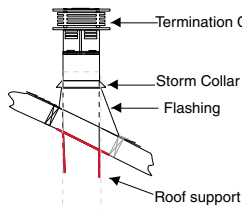


Diagram 3b

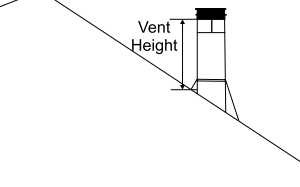


Diagram 4

Roof Pitch	Minimum Vent Height	
	Feet	Meters
flat to 7/12	2	0.61
over 7/12 to 8/12	2	0.61
over 8/12 to 9/12	2	0.61
over 9/12 to 10/12	2.5	0.76
over 10/12 to 11/12	3.25	0.99
over 11/12 to 12/12	4	1.22
over 12/12 to 14/12	5	1.52
over 14/12 to 16/12	6	1.83
over 16/12 to 18/12	7	2.13
over 18/12 to 20/12	7.5	2.29
over 20/12 to 21/12	8	2.44

- Put a bead of caulking on the exterior between the outer pipe and flashing to prevent water from penetrating the chimney system.
- Slide storm collar over pipe length until it reaches the flashing.
- Install termination cap by twist locking it.
- Secure the flashing to the roof using screws

**Note:** Any closets or storage spaces which the vent passes through must be enclosed.

## VERTICAL FLUE EXTENSION KIT (PART #946-756)

### 20 foot Flex pipe Extension

(Used in conjunction with the 946-755 Vertical Flex kit and 948-367/P flex to flex adapter).

1. Stretch out both inner 4" (100 mm) and outer 6 7/8" (175mm) pipe up to a maximum of 20 feet.

**Note :** The inner and outer pipes may be cut if only a short length is required.

2. Install spring spacers around 4" (100 mm) inner pipe as shown. Slide outer flex pipe over and all the way down the 4" pipe.

3. Apply a bead of Mill Pac around the perimeter of the 4" (100mm) inner collar of the flex adapter and slip the 4" (100mm) inner flex pipe from the Vertical termination kit over the flex adapter ensuring that the inner flex pipe overlaps the collar by at least 1-3/8" (35mm). Fasten with 3 screws.

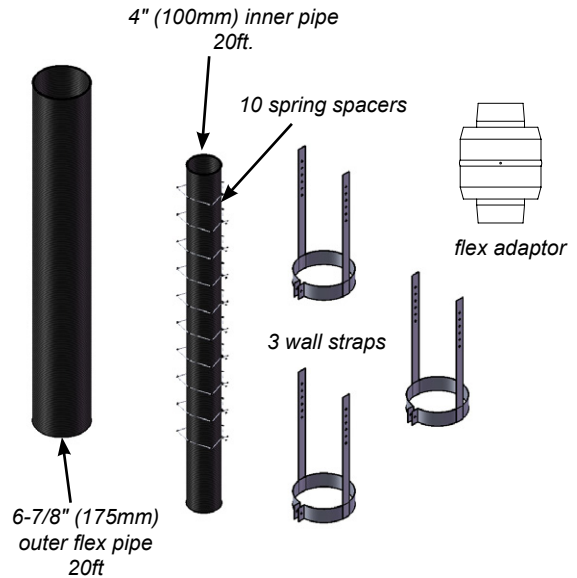
4. Apply a bead of Mill Pac around the perimeter of the 6-7/8" (175mm) outer collar of the flue adapter and slip it over the 6-7/8" (175 mm) outer flex pipe from the vertical termination kit ensuring that the outer flex pipe overlaps the collar by at least 1-3/8" (35mm). Fasten with the 3 screws.

5. Repeat steps to secure the other end of the flex adapter using the flex kit.

6. See Vertical Vent installation instructions for installation of the complete vent system.

**Note:** If an offset is necessary in the attic or floor joists it is important to support the vent pipe every 3 feet to avoid excessive stress and sagging of the vent pipe. Wall straps are provided (3 in total) for this purpose.

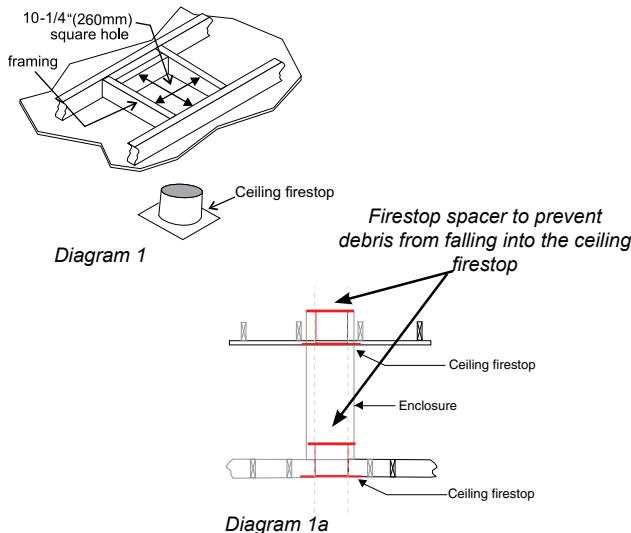
All round/plumbers strapping may also be used if further supports are required.



## CEILING FIRESTOP / FIRESTOP SPACER (PART #946-757)

A ceiling firestop/firestop spacer must be installed when passing through each floor or ceiling level. To install the ceiling firestop/firestop spacer in a flat ceiling or floor joist cut a 10- 1/4 inch square hole. Frame the hole as show in Diagram 1 and install the ceiling firestop. Slide the top attic insulation spacer onto the top of the attic insulation shield/firestop - See Diagram 1a. Secure with 4 screws/nails. If more than one is required, these can be purchased separately.

**Note:** The ceiling firestop/firestop spacer may be cut down to size if this shield is too high for the application



HZ40E-NG10 SYSTEM DATA	
Min. Supply Pressure	5" WC (1.25 kpa)
Manifold Pressure	3.5" WC (0.87 kpa)
Orifice Size	#40 DMS
Maximum Input	26,000 Btu/h (7.61 kW)
Minimum Input	18,000 Btu/h (5.28 kW)

HZ40E-LP10 SYSTEM DATA	
Min. Supply Pressure	11" WC (2.73 kpa)
Manifold Pressure	10" WC (2.49 kpa)
Orifice Size	#53 DMS
Maximum Input	25,500 Btu/h (7.47 kW)
Minimum Input	21,000 Btu/h (6.15 kW)

## HIGH ELEVATION

This unit is approved for altitude 0 to 4500 ft. (CAN1 2.17-M91).

## GAS LINE INSTALLATION

Since some municipalities have additional local codes it is always best to consult with your local authorities and the CAN/CGA B149 installation code.

For USA installations follow local codes and/or the current National Fuel Gas Code, ANSI Z223.1.

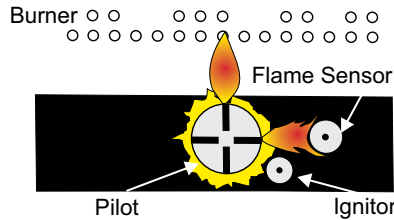
When using copper or flex connectors use only approved fittings. Always provide a union so that gas lines can be easily disconnected for servicing. Flare nuts for copper lines and flex connectors are usually considered to meet this requirement.

**NOTE: A shutoff / dante valve should be supplied in or near the unit (or as per local codes) for ease of servicing this appliance.**

**IMPORTANT: Always check for gas leaks with a soap and water solution or gas leak detector. Do not use open flame for leak testing.**

## PILOT ADJUSTMENT

Periodically check the pilot flames. Correct flame pattern has two strong blue flames: 1 flowing around the flame sensor and 1 flowing across the burner (it does not have to be touching the burner).



**Note: If you have an incorrect flame pattern, contact your Regency® dealer for further instructions.**

Incorrect flame pattern will have small, probably yellow flames, not coming into proper contact with the rear burner or flame sensor.

## GAS PIPE PRESSURE TESTING

The appliance must be isolated from the gas supply piping system by closing its individual manual shut-off valve during any pressure testing of the gas supply piping system at test pressures equal to or less than 1/2 psig. (3.45 kPa). Disconnect piping from valve at pressures over 1/2 psig.

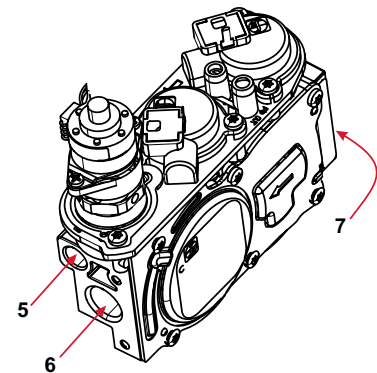
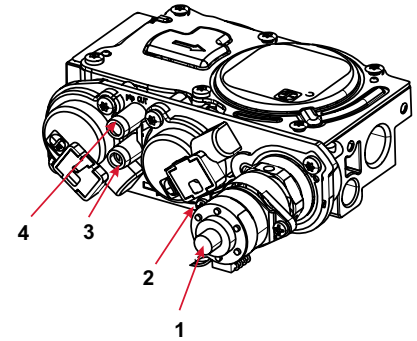
The manifold pressure is controlled by a regulator built into the gas control, and should be checked at the pressure test point.

**Note: To properly check gas pressure, both inlet and manifold pressures should be checked using the valve pressure ports on the valve.**

1. Make sure the unit is in the "OFF" position.
2. Loosen the "IN" and/or "OUT" pressure tap(s), turning counterclockwise with a 1/8" wide flat screwdriver.
3. Attach manometer to "IN" and/or "OUT" pressure tap(s) using a 5/16" ID hose.
4. Turn the unit on with the remote or wall switch
5. The pressure check should be carried out with the unit burning and the setting should be within the limits specified on the safety label.
6. When finished reading manometer, turn off the unit, disconnect the hose and tighten the screw (clockwise) with a 1/8" flat screwdriver. **Note: Screw should be snug, but do not over tighten.**

## 885 S.I.T. VALVE DESCRIPTION

- 1) 6 Stage flame adjustment
- 2) Pilot adjustment
- 3) Outlet Pressure Tap
- 4) Inlet Pressure Tap
- 5) Pilot Outlet
- 6) Main Gas Outlet
- 7) Main Gas Inlet



## AERATION ADJUSTMENT

The burner aeration is factory set but may need adjusting due to either the local gas supply or altitude. Open the air shutter for a blue flame or close for a more yellow flame.

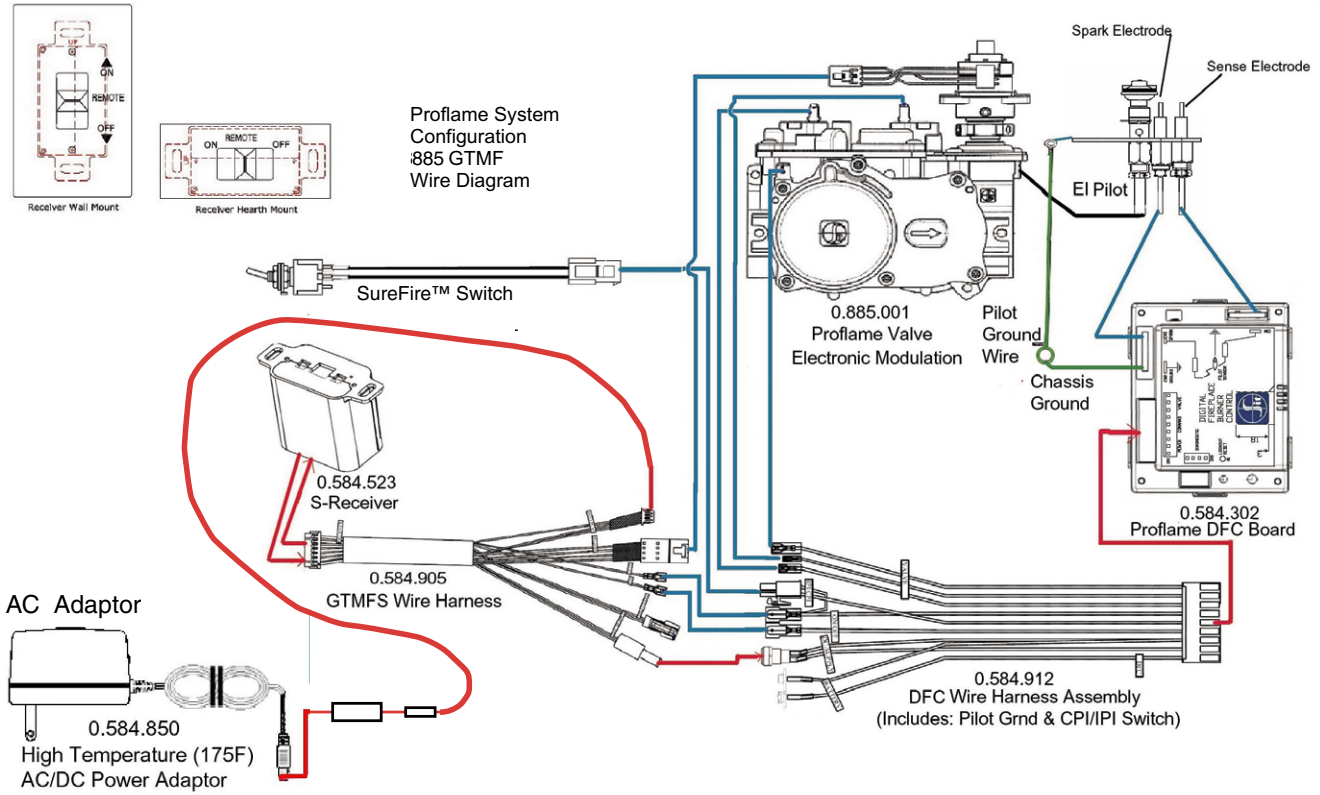
### Minimum Air Shutter Opening:

NG	1/8"
NG with Logs	1/8"
NG with Stones	1/8"
LP	3/8"
LP with Logs	Full open
LP with Stones	Full open

**Note: Any damage due to carboning resulting from improperly setting the aeration controls is NOT covered under warranty.**



WIRING DIAGRAM



**CAUTION:** Label all wires prior to disconnection when servicing controls. Wiring errors can cause improper and dangerous operation.

**Caution:** Ensure that the wires do not touch any hot surfaces and are away from sharp edges.

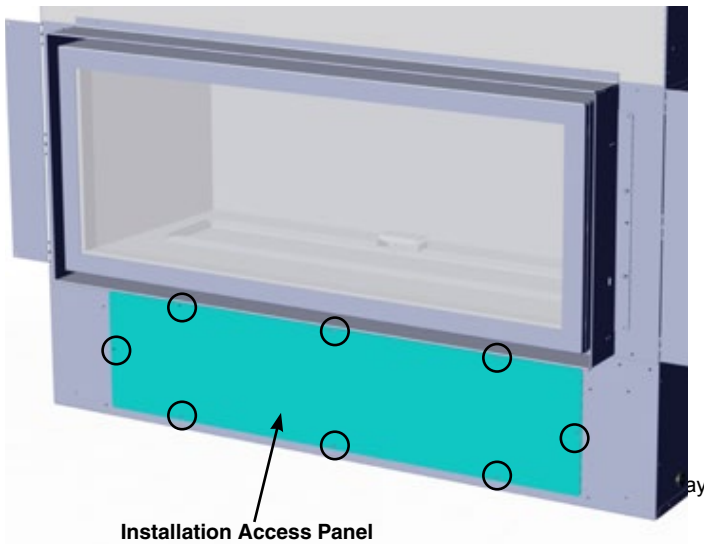
## OPTIONAL FAN INSTALLATION - INITIAL INSTALL

120 Volt AC power is needed for the fan switch and blower. The fan can be hard wired if desired. The receptacle box should be installed on the left hand side of the unit by a qualified electrician. The neutral (wider) slot of the polarized receptacle should be at the top (see manual for wiring diagram).

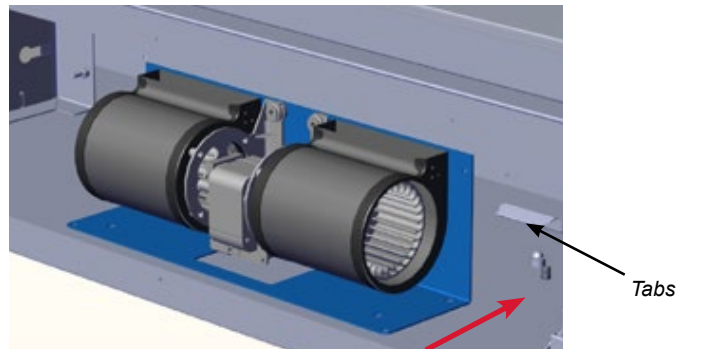
**Unit must be grounded at all times. Do not cut the ground terminal off under any circumstances.**

Follow these instructions before the initial installation into the framing. If installing the optional fan into an existing installation see the instructions on the following pages.

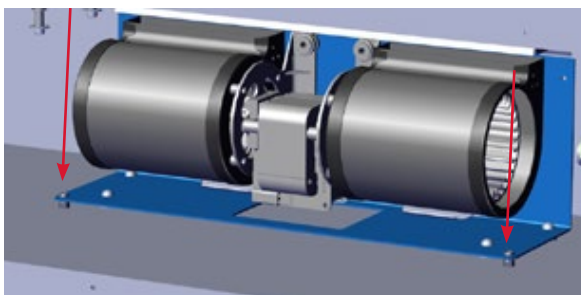
1. Remove 8 screws to remove front access panel.



2. Slide the fan through the front access opening – push the fan all the way to the back until the fan base engages with the tabs on the bottom of the unit.



- 3) Secure the fan to the floor of the unit with 2 screws, in locations show below.



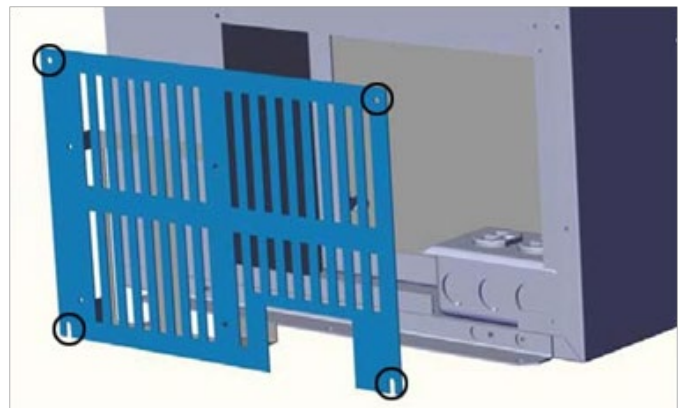
5. Connect one of the black wires from the power cord to the black wire included with the fan (light blue connector). Connect the other end to one spade on the thermodisc.
6. Connect the red wire to the other open spade on the thermodisc. Connect the other end to the black wire from the fan motor.
7. Connect the white wire from the fan motor to the black wire on the power cord (dark blue connector).
8. Slide the thermodisc onto the bracket clip on the bottom of the unit. Ensure no wires will touch the hot surfaces.



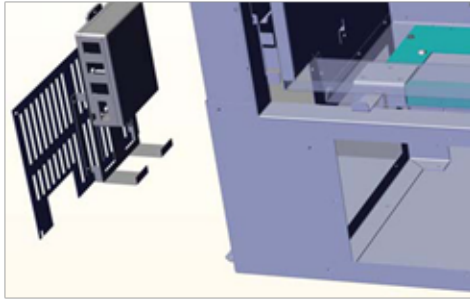
9. Secure the ground wire from the fan assembly and the power cord to the ground lug located on the back left near the fan.



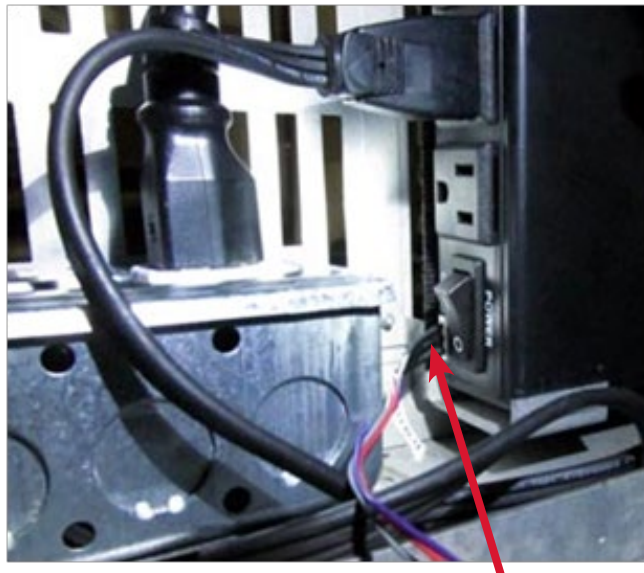
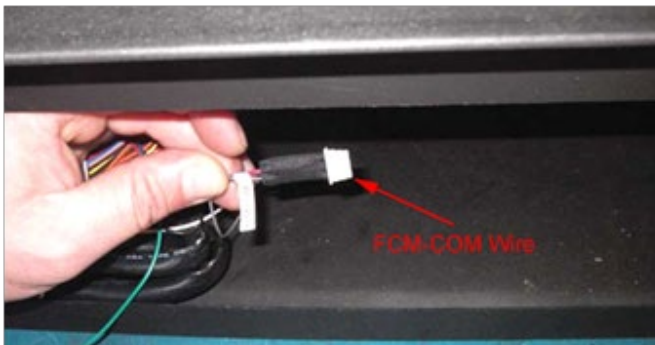
10. The fan control module (supplied with the fan kit) secures to the side access panel. Remove 2 top screws and loosen 2 bottom screws to remove the side access pane



11. Install the fan control module (FCM) into the bracket on the side access panel. Plug in the power cord to the outlet in the unit. Reinstall the panel with the 4 screws from step 10.



12. Plug in the fan power cord to the Fan Control Module into the outlet marked "Fan". Plug the FCM-COM wire from the remote control wiring harness into the location on the Fan Control Module marked "COM". Turn the switch on the Fan Control Module to the ON position. ON is to the left. The "O" is the off position



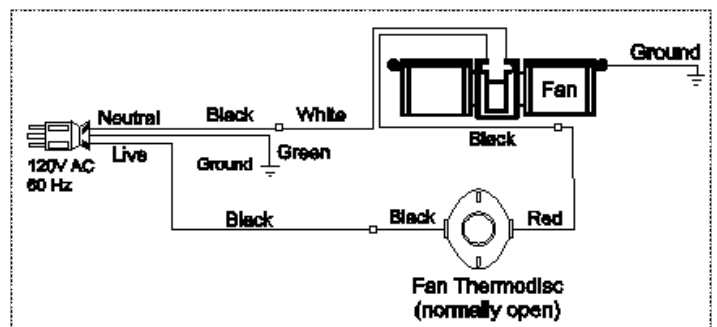
FCM-COM connector

**TO REMOVE THE FAN**

1. Turn the power off.
2. Reverse the above instructions.

**Maintenance:** The sealed bearings are lubricated, there is no need to lubricate them further. (Extra lubricant will cause more lint and dust buildup - causing the bearings to prematurely fail). Regular cleaning and vacuuming of the fan area will add to the life of the motor.

**IMPORTANT:** These fans collect a lot of dust from within your home. Ensure you maintain these fan motors on a regular basis by vacuuming the fan blades and housing using a soft brush nozzle.



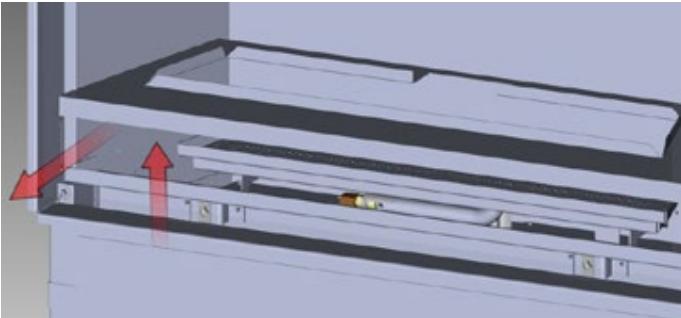


## OPTIONAL FAN INSTALLATION - EXISTING INSTALL

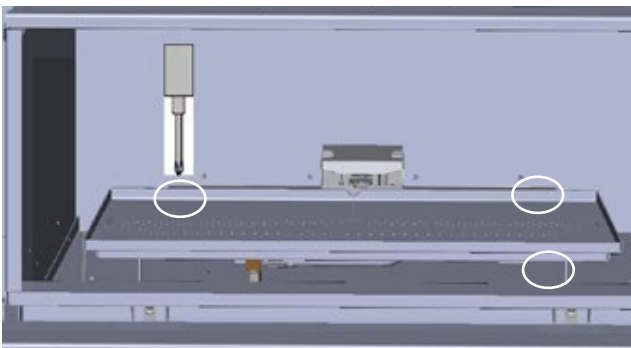
120 Volt AC power is needed for the fan switch and blower. The fan can be hard wired if desired. The receptacle box should be installed on the left hand side of the unit by a qualified electrician. The neutral (wider) slot of the polarized receptacle should be at the top (see page 41 for wiring diagram).

**Unit must be grounded at all times. Do not cut the ground terminal off under any circumstances.**

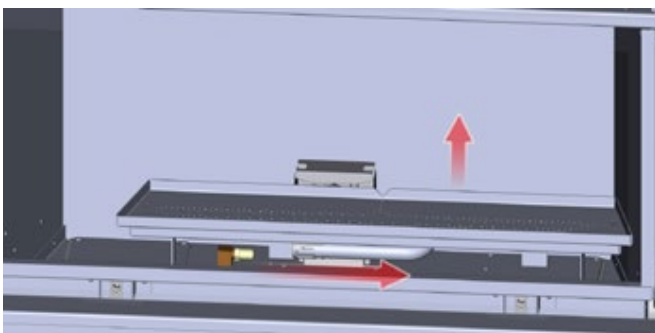
1. **Shut off** the gas and power supply to the unit.
2. Remove the faceplate, mesh guard, enamel panels (if installed) and the glass door. (See the manual for detailed instructions)
3. Remove the inner panels - reverse of "Inner panel Installation" in the installation manual.
4. Remove the burner tray cover by lifting up and out as shown below.



5. Loosen 3 screws at the back of the burner to release it.

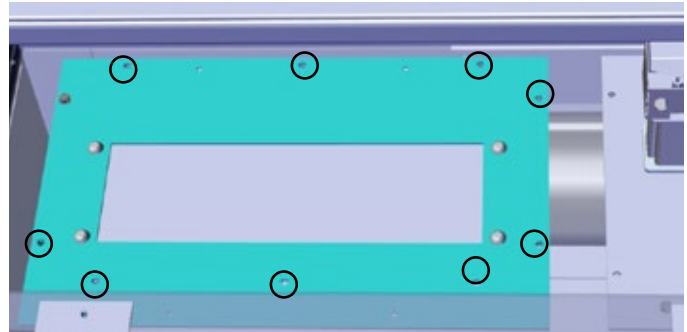


6. Remove the burner by sliding it to the right - then lift out.



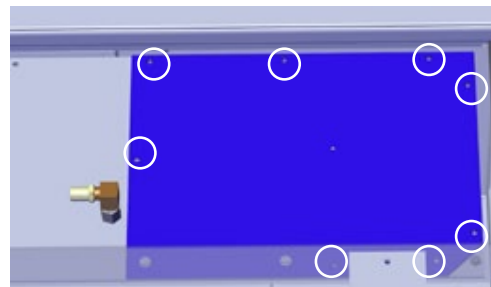
\* Prior to removing burner - remove crystals, pebbles, spa stones and inner panels - if installed.

7. Remove the left access plate by undoing the 8 screws - see locations below.

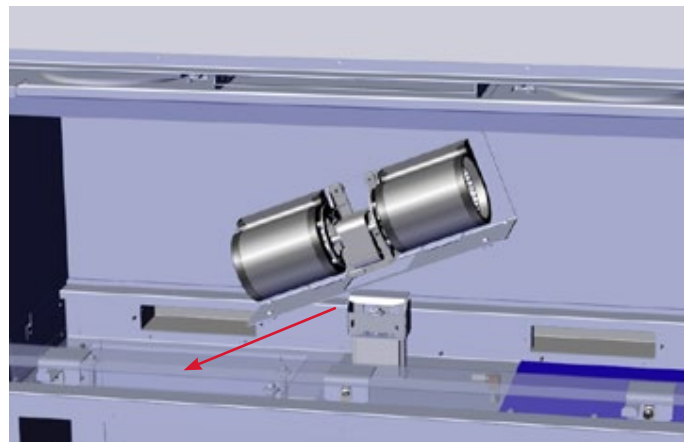


*Location of screws on access plate*

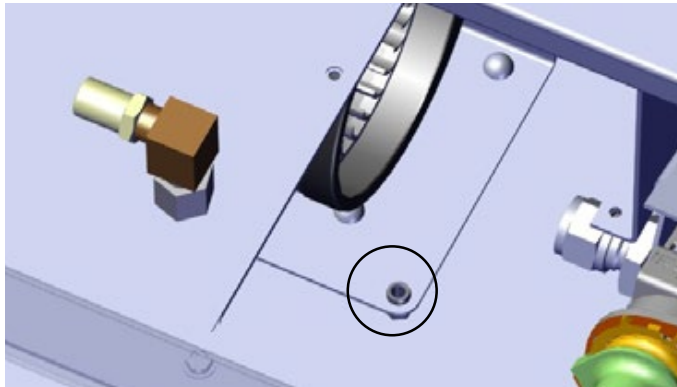
8. Remove the valve tray by undoing the 8 screws - see locations below.



9. Manoeuvre fan through left access panel opening.



10. Secure the fan to the base with 2 screws. Note the right access panel was removed to allow easier access to the right side screw.



**To Wire Fan Motor**

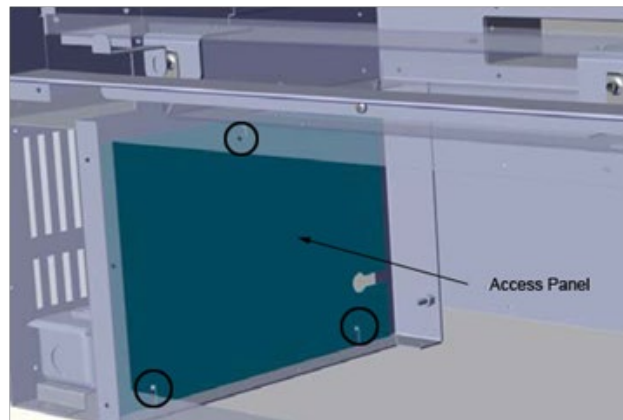
11. Connect one of the black wires from the power cord to the black wire included with the fan (light blue connector). Connect the other end to one spade on the thermodisc.
12. Connect the red wire to the other open spade on the thermodisc. Connect the other end to the black wire from the fan motor.
13. Connect the white wire from the fan motor to the black wire on the power cord (dark blue connector).
14. Slide the thermodisc on to the bracket clip on the bottom of the unit. Ensure no wires will touch the hot surfaces.



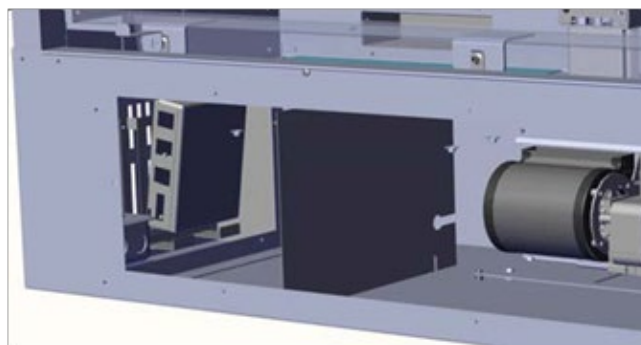
15. Secure the ground wire from the fan assembly and the power cord to the ground lug located on the back left near the fan.



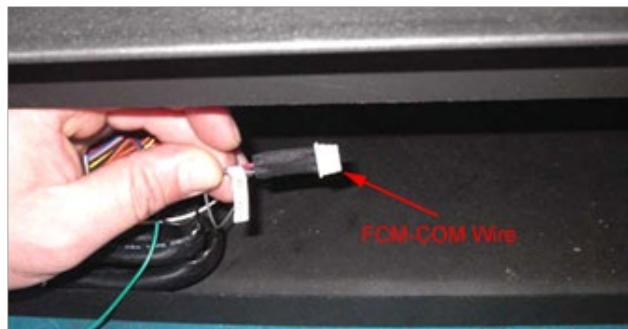
16. The fan control module (supplied with the fan kit) secures to the side access panel. Remove top screw and loosen 2 bottom screws to remove the side access pane

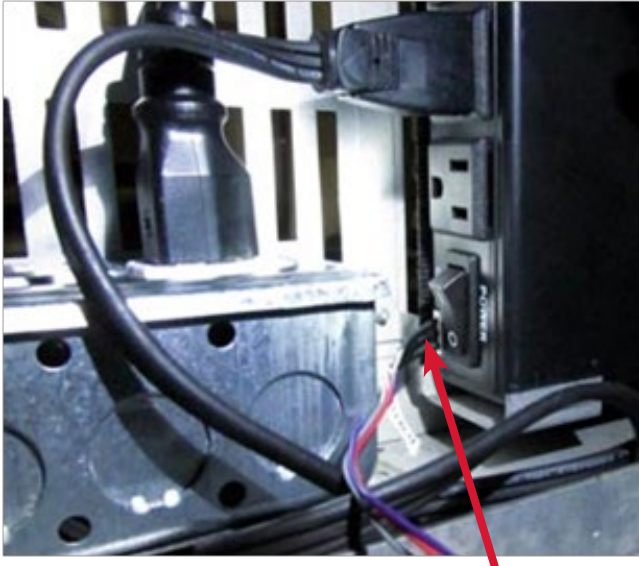


17. Install the fan control module (FCM) into the bracket on the side access panel. Plug in the power cord to the outlet in the unit.



18. Plug in the fan power cord to the Fan Control Module into the outlet marked "Fan". Plug the FCM-COM wire from the remote control wiring harness into the location on the Fan Control Module marked "COM". Turn the switch on the Fan Control Module to the ON position. ON is to the left. The "O" is the off position.





*FCM-COM connector*

19. Reinstall the access panel using the 3 screws from step 16.
20. See the Proflame Remote installation instructions for coding the remote handheld to the receiver as well as the operating instructions
21. Reverse steps 7 through 1 to complete the installation.

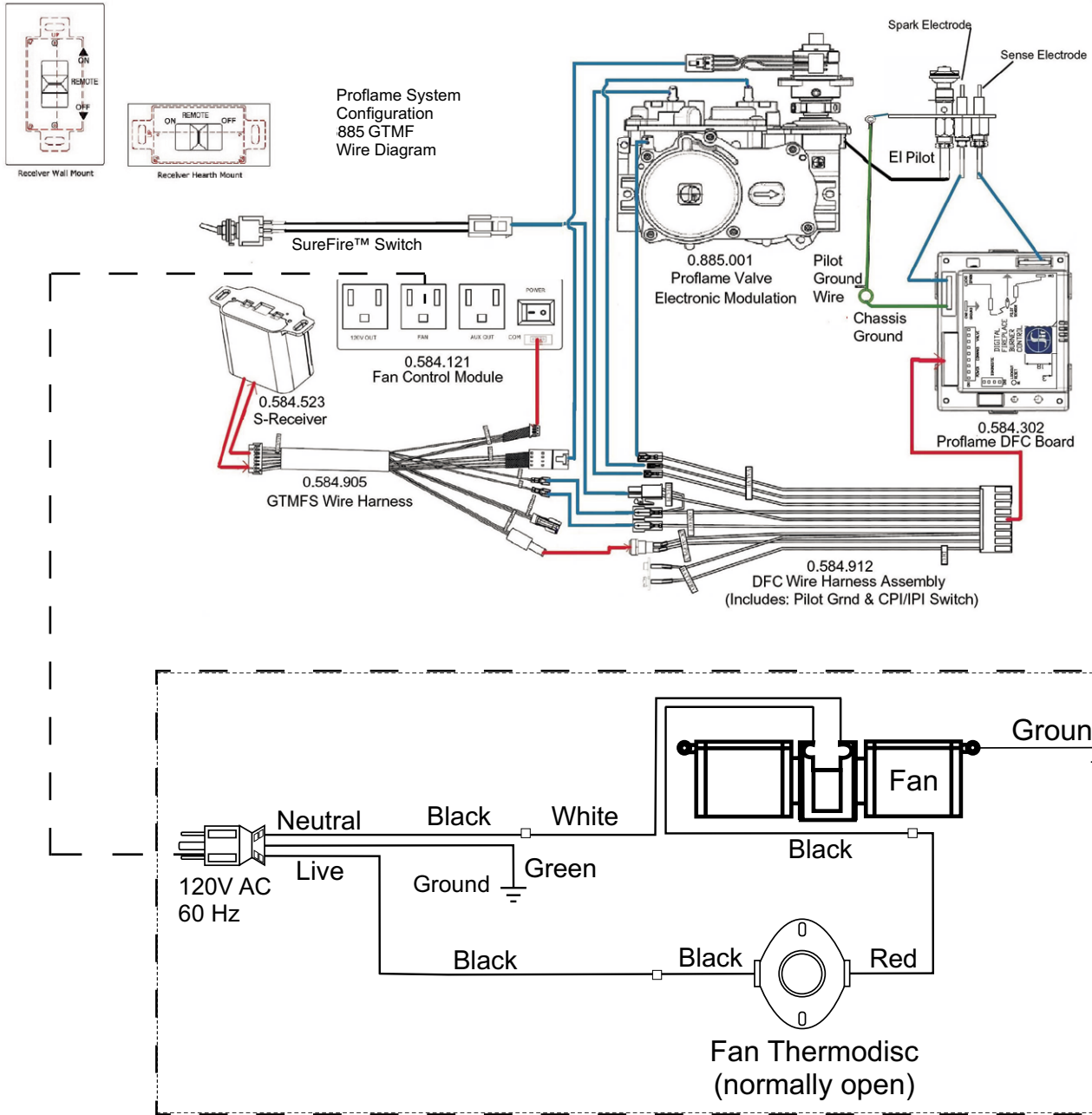
**TO REMOVE THE FAN**

1. Turn the power off.
2. Reverse the above instructions.

**Maintenance:** The sealed bearings are lubricated, there is no need to lubricate them further. (Extra lubricant will cause more lint and dust buildup - causing the bearings to prematurely fail). Regular cleaning and vacuuming of the fan area will add to the life of the motor.

**IMPORTANT:**  
 These fans collect a lot of dust from within your home. Ensure you maintain these fan motors on a regular basis by vacuuming the fan blades and housing using a soft brush nozzle.

WIRING DIAGRAM WITH OPTIONAL FAN



Caution: Ensure that the wires do not touch any hot surfaces and are away from sharp edges.

**CAUTION: Label all wires prior to disconnection when servicing controls. Wiring errors can cause improper and dangerous operation.**



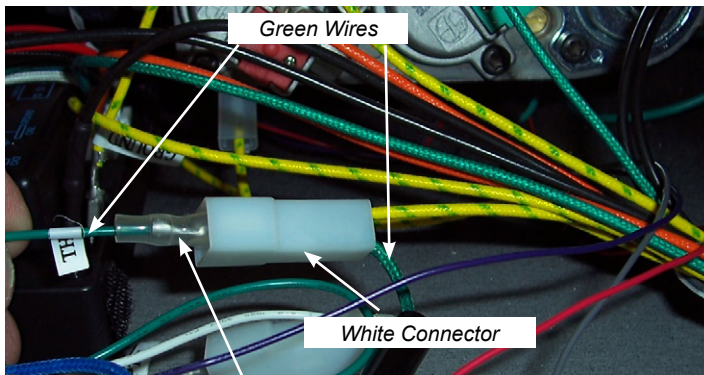
## OPTIONAL WALL THERMOSTAT INSTALLATION

This installation must be completed during initial install with the front access panel removed.

A wall thermostat may be installed if desired.

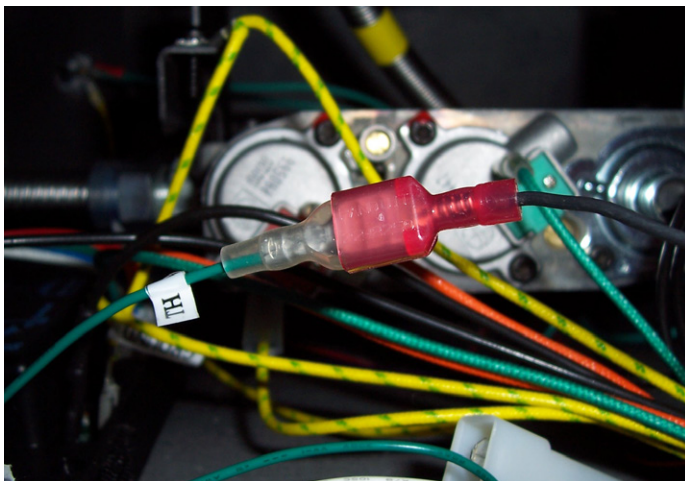
**Recommended:** The wall thermostat should be mounted beside the Remote/Unit Receiver which comes standard with the appliance.

1. Run wires from thermostat into the unit.
2. Remove the green wire marked (TH) at the white connector-shown below. The noted wires will be located near the gas valve.

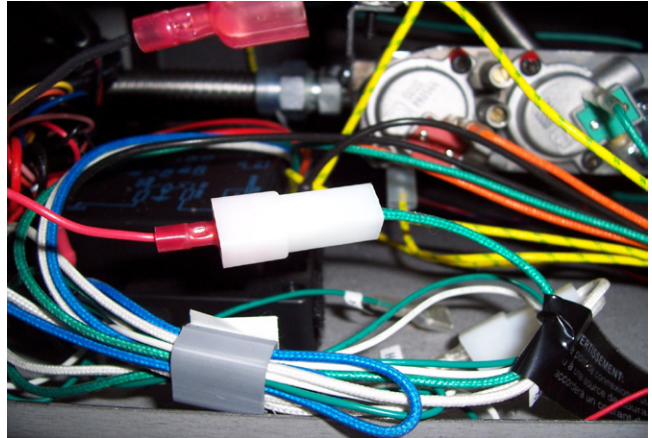


Disconnect green TH wire

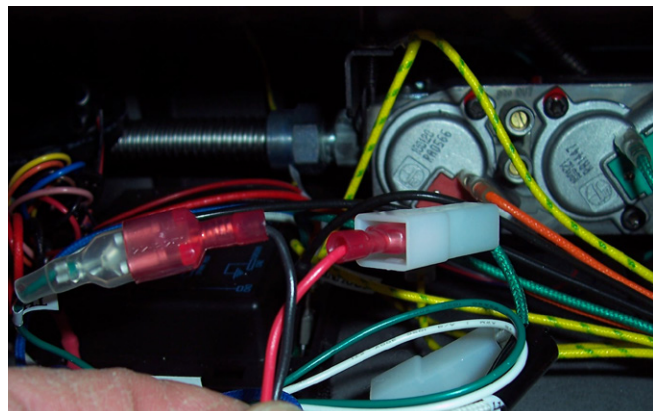
3. Connect one thermostat lead to female connector, using male spade connector - see picture below.



4. Connect the other thermostat lead to male connector disconnected from Step 1 using a female spade connector - see picture below.



When complete turn remote receiver to the ON position. Unit will now operate using the wall thermostat.



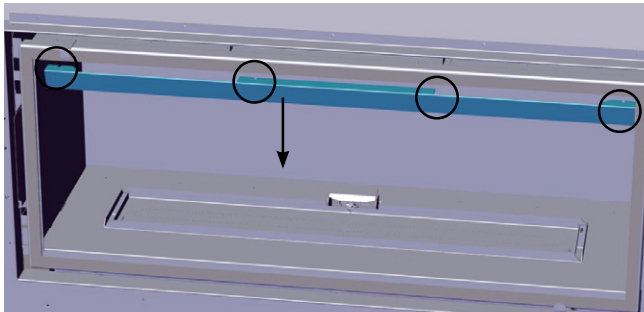
**NOTE:** When the remote receiver is set to **ON** position, the remote control transmitter and all of its features are now disabled.

**CAUTION**  
Do not wire  
Thermostat wires  
to 120V wire.

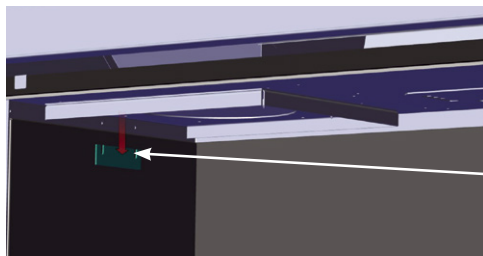
**INNER PANEL INSTALLATION**

Handling Instructions
<b>Black Enamel Panels</b>
<ul style="list-style-type: none"> <li>• Black Enamel panels must be inspected for scratches and dimples prior to installation. All claims to be recorded at this time. Claims for damage after installation will not receive consideration.</li> </ul>
<ul style="list-style-type: none"> <li>• Black Enamel panels will discolor a little during normal operation. This is normal and should not be considered a defect.</li> </ul>
<p>*All hand and finger marks <b>MUST</b> be cleaned off with a soft cloth. Use an ammonia based cleaner (ie. glass cleaner) to remove any fingerprints before applying heat to the unit.  <b>Failure to do this will result in burn stain on panels which you will be unable to remove.</b> Not protected by product warranty.</p>

- 1) Remove the faceplate and glass door if already installed - see manual for instructions.
- 2) Remove 4 screws to remove top heat deflector.

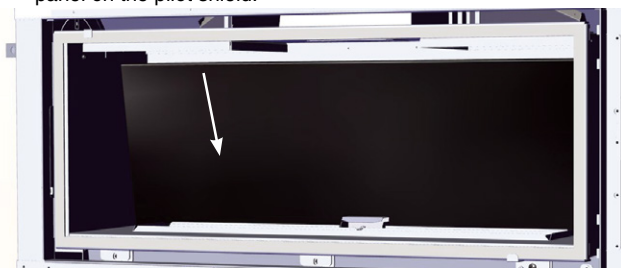


- 3) Remove installed factory panels. Loosen 2 screws (do not remove) on panel clip securing side panel. Slide panel clip down away from screws. Remove side panel.



Panel clip

- 4) Repeat on opposite side.
- 5) Remove back panel.
- 6) Install the back enamel panel first. Tilt the panel forward - position the bottom of the panel first. Use care not to scratch or mark the panel on the pilot shield.



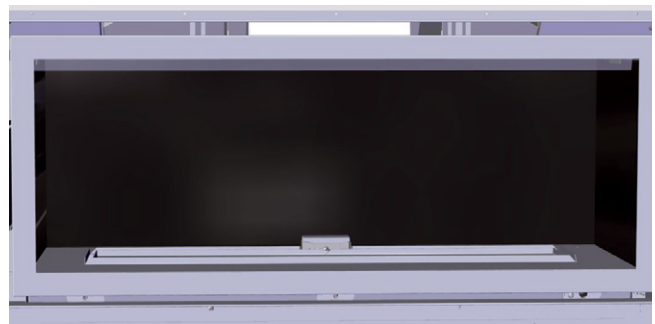
- 7) Install the left side enamel panel - secure in position with the panel clip and tighten two screws loosened in step 3 as shown in the diagram below.



- 8) Install the right side enamel panel - secure in position with the panel clip and two screws loosened in step 4.



- 9) Reinstall heat deflector.
- 10) Reinstall glass door - reinstall faceplate.



Final Install

## GLASS CRYSTALS OR OPTIONAL STONES INSTALLATION ON BURNER

Spread the Glass Crystals or Stones evenly over the burner. Ensure the crystals/stones do not overlap excessively as this will affect the flame pattern.

**IMPORTANT NOTE:**

Only the supplied approved Glass Crystals and Stones are to be used with these fireplaces. Use of any other type of glass crystals or stones can alter the unit's performance. Any damage caused by the use of any unapproved glass or stones will not be covered under warranty.

When using Ceramic Spa/Volcanic Stones ensure required glass crystals/beads are used as a base. **DO NOT** overstack Ceramic Spa Stones or Volcanic Stones on burner or in the pilot area.

BURNER PACKAGES			
Unit	*Glass Crystals	Fire Beads	Stones - Spa / Ceramic / Volcanic
HZ40E	2lbs	3lbs	1.5 lb Glass + 30 Ceramic Stones or 1.5 lb Glass + 25 Volcanic Stones 2 lb Beads + 30 Ceramic Stones or 2 lb Bead + 25 Volcanic Stones
<b>NOTE:</b> * Glass Crystals are not supplied with the unit. Must purchase separately - see quantities above			

## OPTIONAL PEBBLES / GLASS CRYSTAL INSTALLATION FOR FIREBOX BASE (AROUND BURNER)

There are 2 optional packages to choose from to cover the firebox base:

- 1) Natural River Pebbles
- 2) Glass Crystals (4 colors available)

Spread the pebbles / crystals evenly on the exposed base of the firebox. Pebbles are **NOT** to be placed anywhere on the burner or over top of the Glass Crystals or optional Stones.

**IMPORTANT NOTE:** Only the supplied and approved pebbles / glass crystals are to be used with these fireplaces. Use of any other type of pebbles, glass crystals or other material can create a danger and will void the warranty.

Firebox (Around Burner) Packages			
Unit	Glass Crystals	Fire Beads	Pebbles
HZ40E	5 lbs	5 lbs	2 packages (6 x bags pebbles)



*Glass Crystals shown surrounding the Burner*



*Natural River Pebbles shown surrounding the Horizon Burner*



*Optional Volcanic Stones + Glass Crystals shown on burner.*



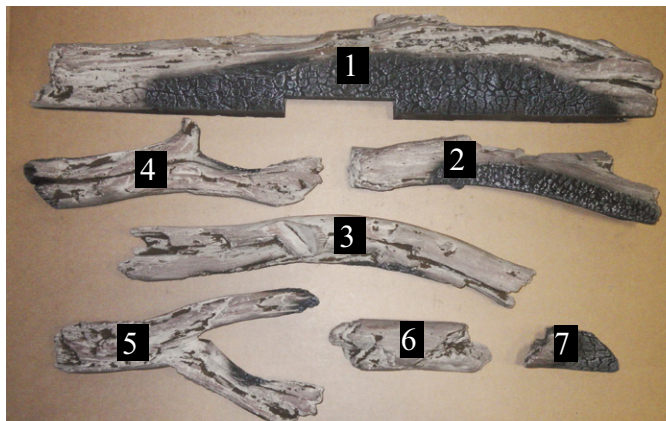
## OPTIONAL DRIFTWOOD LOG SET INSTALLATION

Read the instructions below carefully and refer to the images. If the logs are broken do not use the unit until they are replaced. Broken logs can interfere with pilot operation.

Improper positioning of the logs may create carbon build-up and can alter the unit's performance which is not covered under warranty.

\*Dark brown paint is included if touch ups are required.

1	Rear Log
2	Left Log
3	Right Log
4	Left Cross Log
5	Right Cross Log
6	Front Left Log Piece
7	Front Right Log Piece
	Lava embers
	Pilot Hood - HZ54E only
	Log placement template - HZ54E /HZ40E
	Magnets x 2



1. Shut off gas and electrical supply, allow unit to cool to room temperature.

2. Remove flush glass door (see manual).

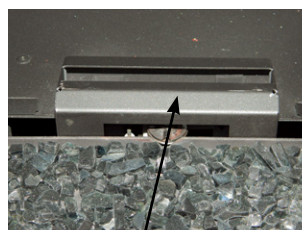
3. Carefully remove the logs from the packaging and unwrap them. The logs are fragile, handle with care -never force into position.

4. Ensure glass crystals are installed on the burner.  
HZ54E = 2lbs HZ40E=1.5lbs

5. **HZ54E only**- Remove existing pilot hood - replace with pilot hood provided with log set.

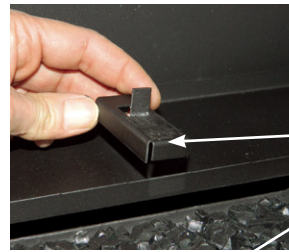


HZ54E - existing Pilot Hood



HZ54E - new Pilot Hood

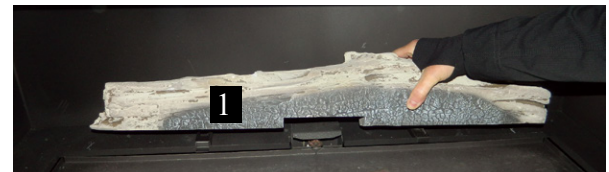
6. Clip on the log guides - position approximately 5" on either side of the outside edge of the pilot hood.



Log guides



7. Install Rear Log (1), by positioning cut out over pilot hood - ensure cut out is centered.

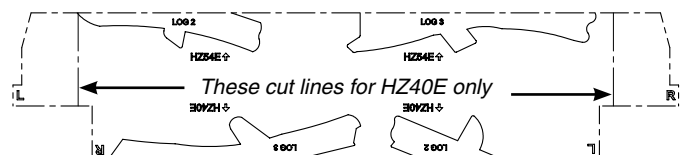


8. Push the rear log gently back, until it hits the log guides.



Log 1 in position

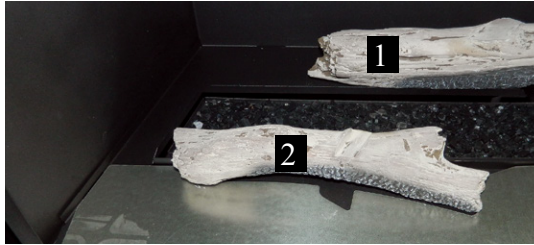
9. Locate provided log placement template - identify unit required before cutting template out along dotted line. Slide template on firebox floor up to the edge of the burner, ensure L and R sides are in the correct position. Secure template in place with magnets (supplied) on each side.



Top View - showing both HZ54E/HZ40E cut template out along dotted line

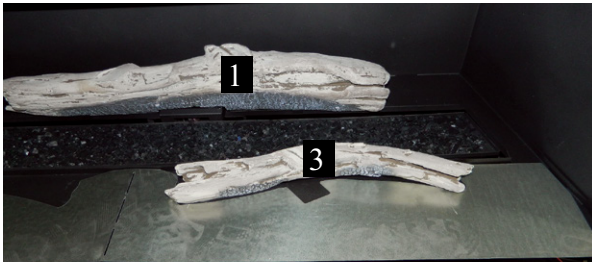


10. Position Left Log (2) by matching the log and template profiles exactly.



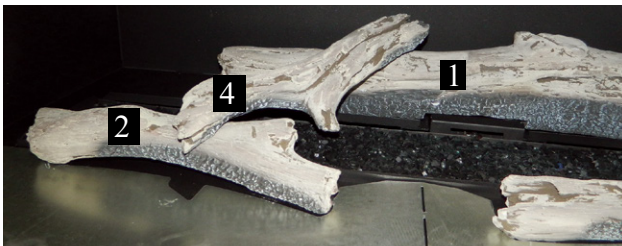
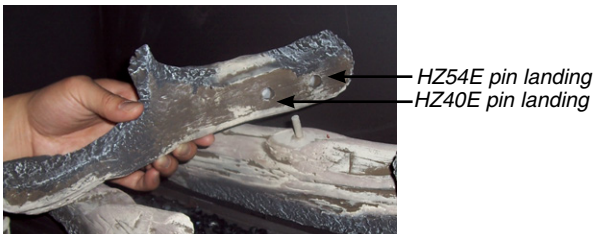
*HZ54E shown - Left Log (2) positioned to match template profile.*

11. Position Right Log (3) by matching the log and template profiles exactly.



*HZ54E shown - Right Log (3) positioned to match template profile.*

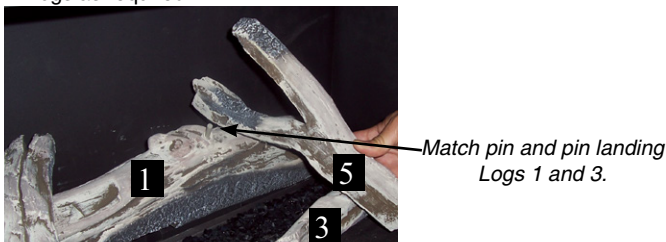
12. Position Left Cross Log (4) on Log 1, match up pin landing as per reference below, rest bottom of Log 2 on Log 3 plus match log profile with template profile.



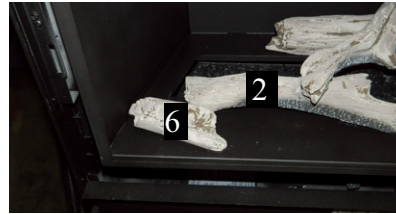
*HZ54E shown - Left Cross Log (4) positioned to match template profile.*

13. Position Right Cross Log (5) by lining pin on Logs 1 with pin landing on Log 3, match bottom of Log 5 and template profile.

14. Carefully remove magnets and log placement template, slightly lifting logs as required.



15. Place Front Left log piece on firebox floor as shown.



*HZ54E shown - Left Log Piece(6)*

16. Place Right Log piece on firebox floor as shown.



*HZ54E shown - Right Log Piece(7)*

17. If desired, install additional crystals on firebox floor, in and around installed logs.

18. Install lava embers - spread evenly over glass.



*Lava embers on glass crystals*

19. Reverse steps 1 and 2.

20. Adjust aeration settings - see unit manual for settings.



*HZ54E shown - Completed Install*



*HZ40E shown - Completed Install*

## GLASS DOOR INSTALLATION

The glass door comes with a black trim.

1. To install the trim and glass door, simply hook the top door flange onto the top of the unit and swing the door towards the unit, Diagram 1.

**Note:** Be careful that the glass gasket does not roll up; there must be a gap between the gasket and the door lip to ensure that the door sits securely on the unit. See Diagram 2.

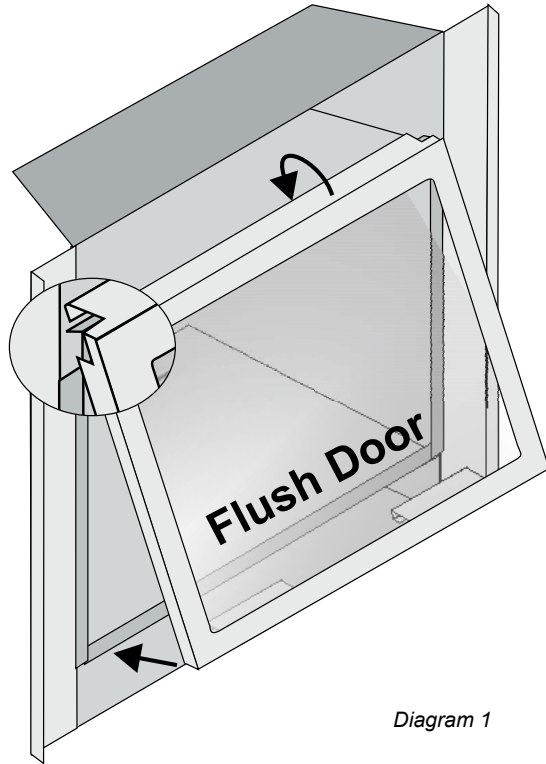


Diagram 1

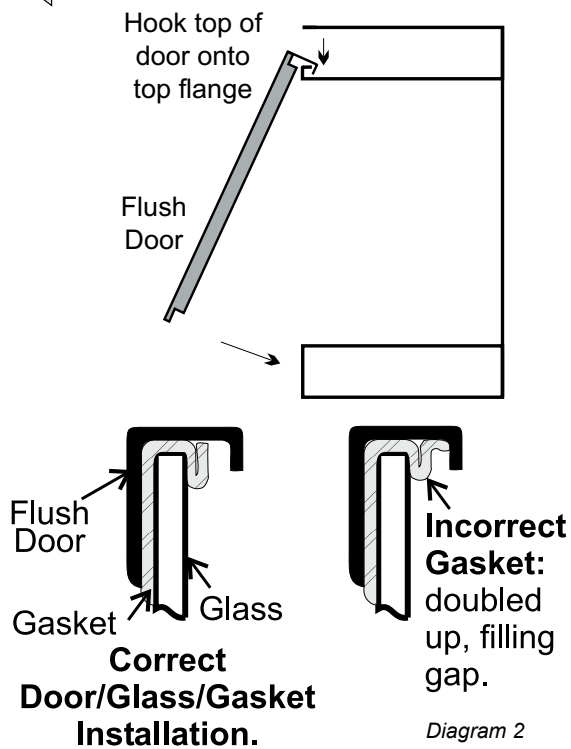


Diagram 2

2. With the door in proper position - secure with 3 screws in locations shown in Diagram 3.

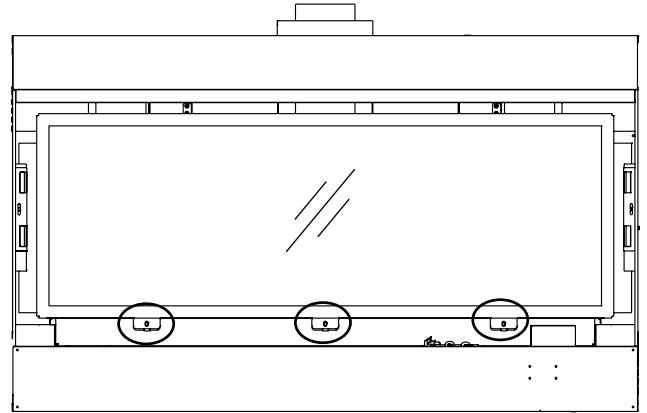
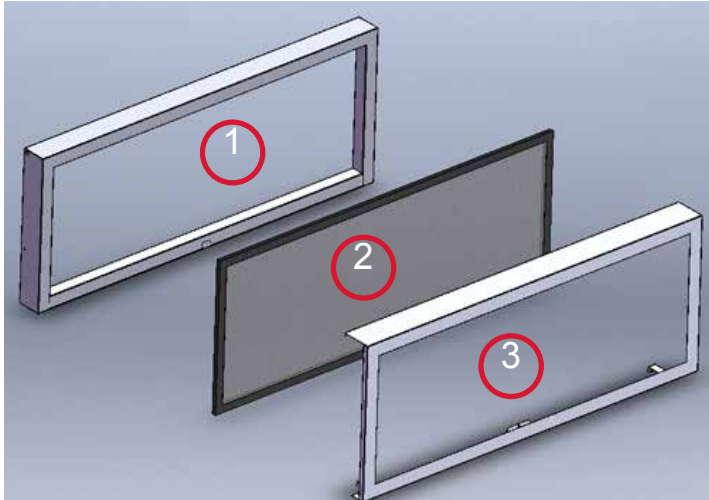


Diagram 3

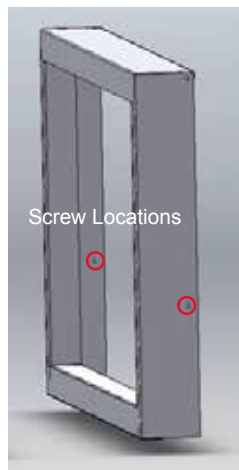
## SAFETY SCREEN/INNER DOOR FRAME REMOVAL/ INSTALLATION

**THE INNER DOOR FRAME (3) MUST BE PURCHASED SEPARATELY IN EITHER STAINLESS STEEL OR BLACK**

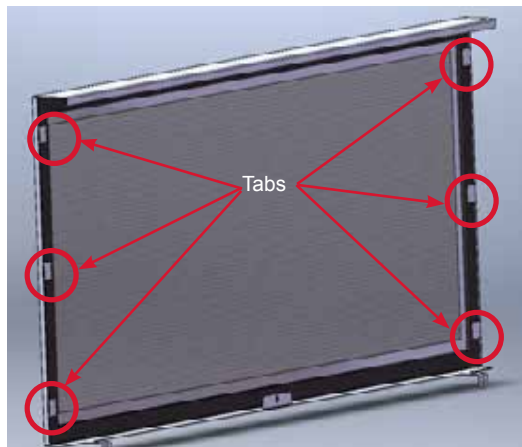
1. The inner door trim (1) and safety screen (2) come attached to the fireplace. Remove the inner door trim and safety screen by pulling the bottom of the trim towards you as one, then lift up.



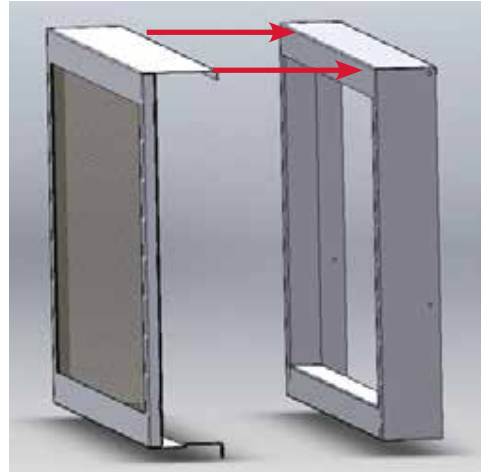
2. Remove screws from inner side of the inner door trim and discard screws and the brackets. (Brackets not shown). Remove the screen mesh from inner door trim.



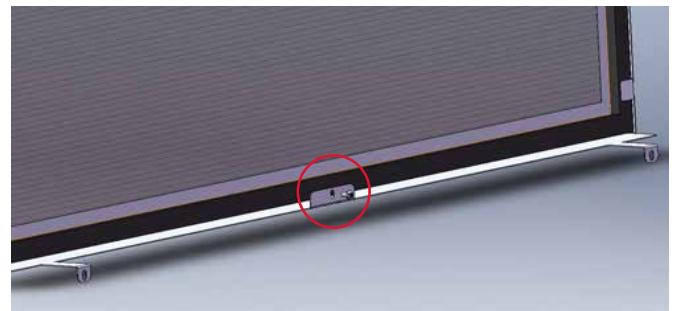
3. Install screen into inner door frame - secure safety screen by bending in 6 tabs in locations shown below.



4. Hook the inner door frame (3) and safety screen assembly (2) over the inner door trim.

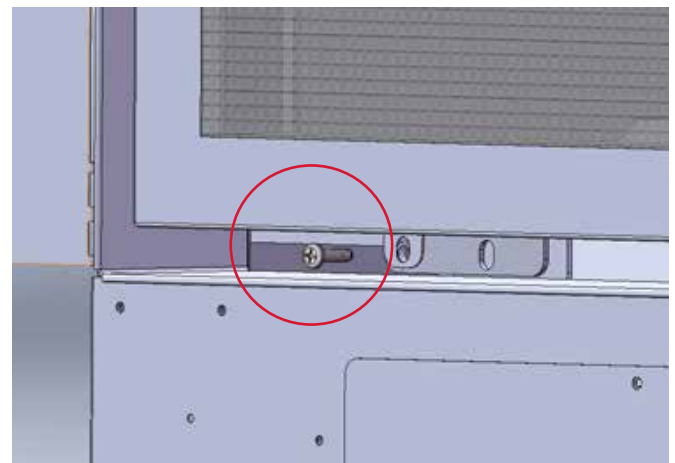


5. Bend the center tab up and secure with a screw to attach the inner door frame/safety screen assembly to the inner door trim.



6. Attach completed assembly to the glass door on unit.

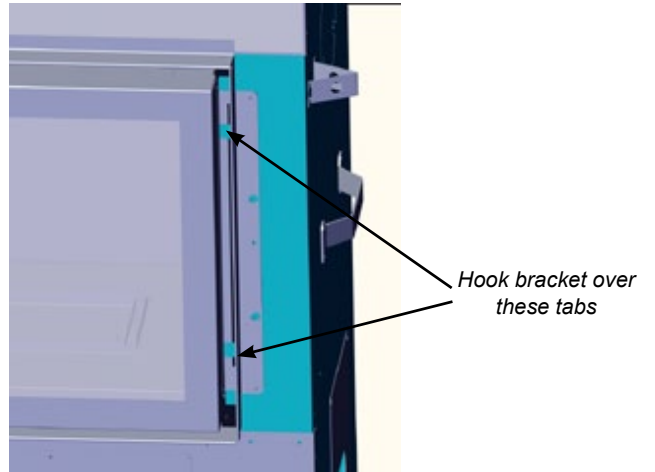
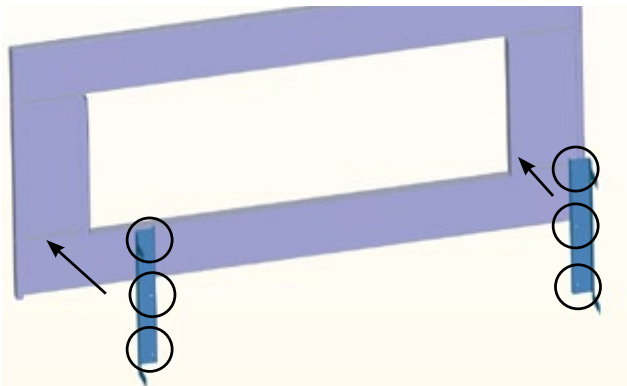
7. Secure the assembly with 1 screw on each side.



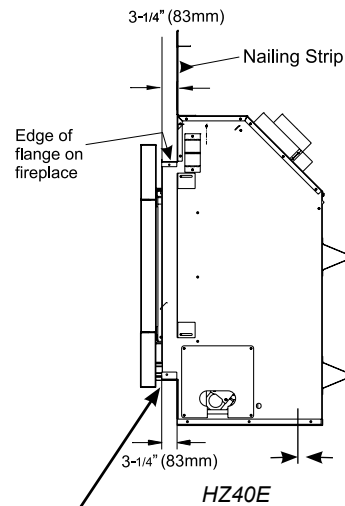
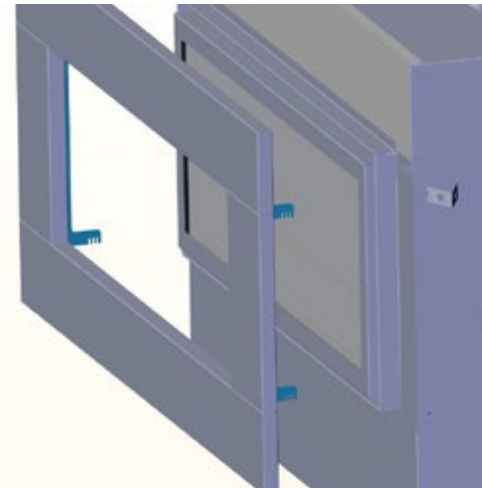
8. HZ42STE only - repeat Steps 1-7 to install screen and door frame on other side.

**VERONA / 4 PIECE FACEPLATE INSTALLATION**

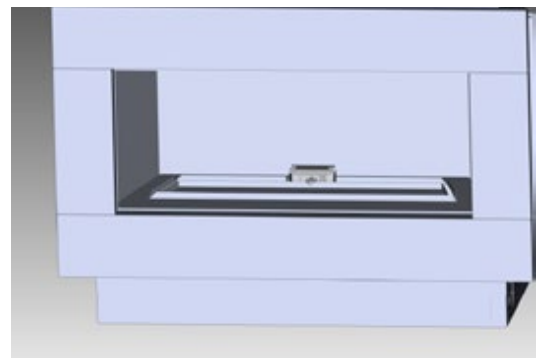
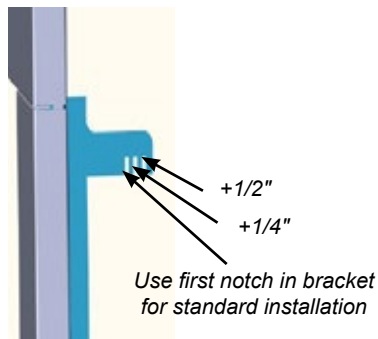
- 1) When installing required Safety Screen - See "Safety Screen" installation instructions.
- 2) Install brackets onto the back of the faceplate - 3 screws for each bracket in locations shown below.



- 3) To install the 4 piece faceplate - hook brackets (located on back of faceplate) over the two middle tabs on the glass door frame. If thicker finishing materials are used - the faceplate may be adjusted out - up to 1/2".



**Important:** 1/2" gap required between faceplate and finished wall.



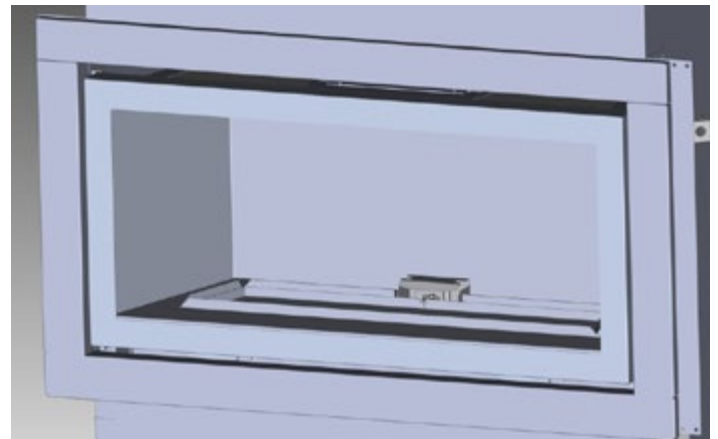
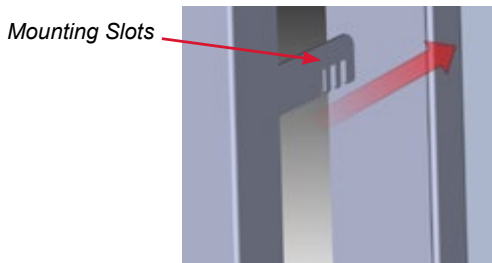
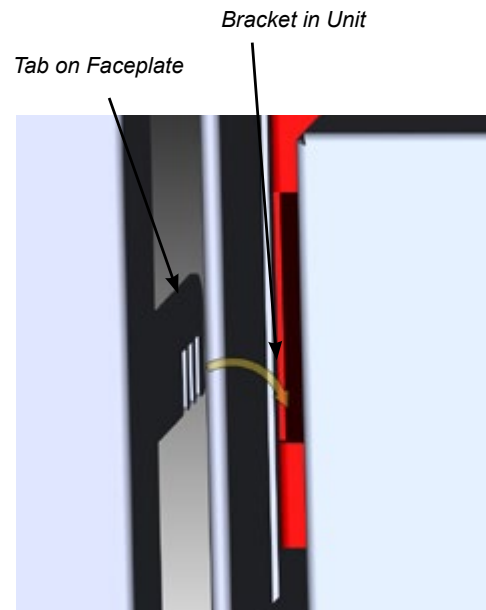
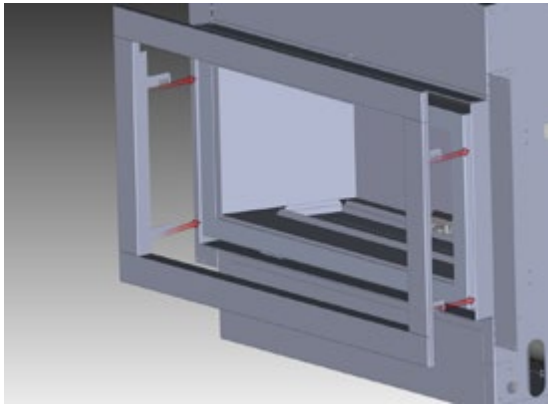
Final Install



## OUTER DOOR FRAME INSTALLATION

1. Install the outer door frame to the unit by hooking the left and right side mounting brackets into the mounting slots at the side of the firebox as shown below. It is recommended that you use the first mounting slot (the one closest to the door frame overlay) out of the 3 so that the faceplate and door frame overlay are flush with one another.

**NOTE:** There are 3 mounting slots available, this is to accommodate any finishing that protrudes slightly beyond the faceplate.



Completed inner and outer door frame installation

**Note:** Inner door frame may be installed by itself, or with the outer door frame. The outer door frame cannot be installed by itself - if installing the outer door frame - the inner door frame must also be installed.

## OPERATING INSTRUCTIONS

1. Read and understand these instructions before operating this appliance.
2. Check to see that all wiring is correct and enclosed to prevent possible shock.
3. Check to ensure there are no gas leaks.
4. Make sure the glass in the glass door frame is properly positioned. Never operate the appliance with the glass removed.
5. Verify that the venting and cap are unobstructed.
6. The unit should never be turned off, and on again without a minimum of a 60 second wait.

---

## FIRST FIRE

The **FIRST FIRE** in your heater is part of the paint curing process. To ensure the paint is properly cured, it is recommended you burn your fireplace for at least four (4) hours the first time.

When first operated, the unit will release an odour caused by the curing of the paint and the burning off of any oils remaining from manufacturing. Smoke detectors in the house may go off at this time. Open a few windows to ventilate the room for a couple of hours. The glass may require cleaning.

**NOTE:** When the glass is cold and the appliance is lit, it may cause condensation and fog the glass. This condensation is normal and will disappear in a few minutes as the glass heats up.

**DO NOT ATTEMPT TO CLEAN THE GLASS WHILE IT IS STILL HOT!**

**DO NOT BURN THE UNIT WITHOUT THE GLASS DOOR IN PLACE.**

During the first few fires, a white film may develop on the glass front as part of the curing process. **The glass should be cleaned after the unit has cooled down** or the film will bake on and become very difficult to remove. Use a non-abrasive cleaner and **DO NOT ATTEMPT TO CLEAN THE GLASS WHILE IT IS HOT.**

## NORMAL OPERATING SOUNDS OF GAS APPLIANCES

It is possible that you will hear some sounds from your gas appliance. This is perfectly normal due to the fact that there are various gauges and types of steel used within your appliance. Listed below are some examples. All are **normal operating sounds** and should not be considered as defects in your appliance.

### Burner Tray:

The burner tray is positioned directly under the burner and is made of a different gauge material from the rest of the firebox and body. Therefore, the varying thicknesses of steel will expand and contract at slightly different rates which can cause "ticking" and "cracking" sounds. You should also be aware that as there are temperature changes within the unit these sounds will likely re-occur. Again, this is normal for steel fireboxes.

### Pilot Flame:

While the pilot flame is on it can make a very slight "whisper" sound.

### Gas Control Valve:

As the gas control valve turns ON and OFF, a dull clicking sound may be audible, this is normal operation of a gas regulator or valve.

### Unit Body/Firebox:

Different types and thicknesses of steel will expand and contract at different rates resulting in some "cracking" and "ticking" sounds will be heard throughout the cycling process.

### Blower Thermodisc:

When this thermally activated switch turns ON it will create a small "clicking" sound. This is the switch contacts closing and is normal.

## LIGHTING PROCEDURE

**IMPORTANT:** The remote control system supplied with this appliance has several options for starting/operating the appliance using the power button and ON/OFF key on the hand held transmitter. Prior to operating this appliance, please read the remote control operating instructions (packaged with remote control) to understand how to operate this remote control system. Option to download remote functions video with QR code below.



Proflame video

1. Ensure the wall switch/receiver is in the remote position. (see Diagram 1).

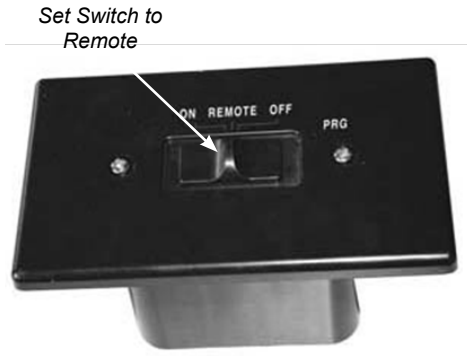


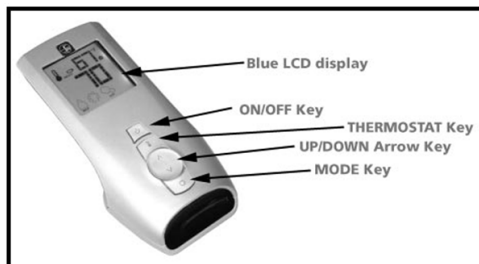
Diagram 1

2. Press and release the ON/OFF button on the remote handheld transmitter (see Diagram 2). An audible beep should be heard from the receiver.



Diagram 2

Remote shown in Manual Mode on Hi



3. After approximately 4 seconds the spark ignition system will spark for 60 seconds to light the main burner.
4. The unit will turn on.

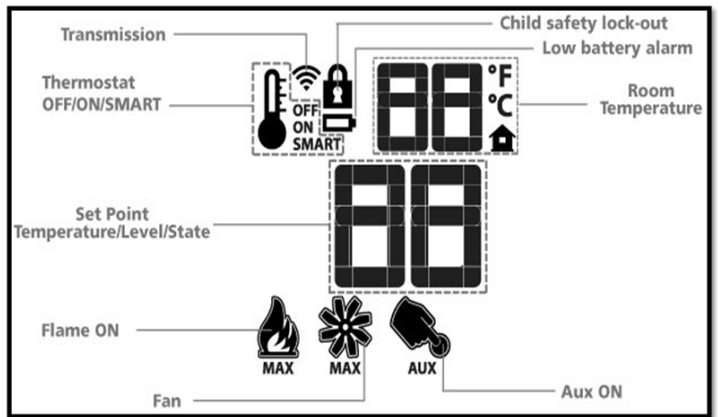
**Note:** The first try for ignition will last approximately 60 seconds. If there is no flame ignition (rectification) the board will stop sparking for approximately 35 seconds. After wait time, the board will start second try for ignition by sparking for approximately 60 seconds. If there is still no positive ignition the board will go into lock out.

The system will need to be reset as follows:

- a) Turn the system off using ON/OFF switch or press ON/OFF button - if using remote.
- b) After approximately 2 seconds turn on ON/OFF switch or press ON/OFF button if using remote.
- c) Repeat step 2.

## SHUTDOWN PROCEDURE

1. Turn the wall mounted switch or remote to the "OFF" position.
2. Press "OFF" on the remote control.
3. Turn the gas control knob to the "OFF" position to turn off the pilot.



## COPY OF LIGHTING PLATE INSTRUCTIONS

## FOR YOUR SAFETY READ BEFORE LIGHTING

This appliance must be installed in accordance with local codes, if any; if none, follow the National Fuel Gas Code, ANSI Z223.1/NFPA 54, or Natural Gas and Propane Installation Codes, CSA B149.1.

**WARNING:** If you do not follow these instructions exactly, a fire or explosion may result causing property damage, personal injury or loss of life. Improper installation, adjustment, alteration, service or maintenance can cause injury or property damage. Refer to the owner's information manual provided with this appliance. For assistance or additional information consult a qualified installer, service agency or gas supplier.

**AVERTISSEMENT:** Quiconque ne respecte pas à la lettre les instructions dans la présente notice risquée déclencher un incendie ou une explosion entraînant des dommages, des blessures ou la mort.

Une installation, d'ajustement, de modification, de service ou d'entretien peut provoquer des blessures ou des dommages matériels. Reportez-vous au manuel du propriétaire de l'information fournie avec cet appareil. Pour obtenir de l'aide ou des informations supplémentaires consulter un installateur qualifié, une agence de service ou fournisseur de gaz.

- A) This appliance is equipped with an ignition device which automatically lights the pilot. Do not try to light the pilot by hand.
- B) **BEFORE OPERATING** smell all around the appliance area for gas. Be sure to smell next to the floor because some gas is heavier than air and will settle on the floor.
- WHAT TO DO IF YOU SMELL GAS**
- Do not try to light any appliance.
  - Do not touch any electric switch, do not use any phone in your building.
  - Immediately call your gas supplier from a neighbours phone. Follow the gas supplier's instructions.
  - If you cannot reach your gas supplier, call the fire department.
- C) Do not use this appliance if any part has been under water. Immediately call a qualified service technician to inspect the appliance and replace any part of the control system and any gas control which has been underwater.
- A) Cet appareil est muni d'un dispositif d'allumage qui allume automatiquement la veilleuse. Ne tentez pas d'allumer la veilleuse manuellement.
- B) **AVANT LA MISE EN MARCHÉ**, reniflez tout autour de l'appareil pour déceler une odeur de gaz. Reniflez au niveau du plancher, car certains gaz sont plus lourds que l'air et peuvent s'accumuler au niveau du sol.
- QUE FAIRE SI VOUS SENTEZ UNE ODEUR DE GAZ :**
- Ne tentez pas d'allumer l'appareil
  - Ne touchez à aucun interrupteur; n'utilisez pas de téléphones se trouvant dans le bâtiment.
  - Appelez immédiatement votre fournisseur de gaz depuis un téléphone extérieur. Suivez les instructions du fournisseur.
  - Si vous ne pouvez pas rejoindre le fournisseur, appelez le service incendie.
- C) N'utilisez pas cet appareil s'il a été plongé dans l'eau, même partiellement. Faites inspecter l'appareil par un technicien qualifié et remplacez toute partie du système de contrôle et toute commande qui ont été plongés dans l'eau.

**CAUTION:** Hot while in operation. Do not touch. Severe Burns may result. Due to high surface temperatures keep children, clothing and furniture, gasoline and other liquids having flammable vapors away. Keep burner and control compartment clean. See installation and operating instructions accompanying appliance.

## LIGHTING INSTRUCTIONS

- 1) Ensure the wall switch/receiver is in the remote position.
  - 2) Press and release the ON/OFF button on the remote handheld transmitter. An audible beep should be heard from the receiver.
  - 3) After approximately 4 seconds the spark ignition system will spark for 60 seconds to light the main burner.
  - 4) The unit will turn on.
- Note: The first attempt to ignition will last approximately 60 seconds. If there is no flame ignition (rectification) the board will stop sparking for approximately 35 seconds. After this wait time, the board will start a second try for ignition by sparking for approximately 60 seconds. If there is still no positive ignition after the second attempt the board will go into lock out.
- The system will need to be reset as follows (after going into lock out mode):
- a) Wait 5 minutes - turn the system off using ON/OFF switch or press ON/OFF button if using remote
  - b) After approximately 2 seconds turn on ON/OFF switch or press ON/OFF button if using remote.
  - c) Unit will repeat step 2.
- 1) S'assurer que l'interrupteur mural/récepteur soit sur "Remote".
  - 2) Appuyer sur la touche ON/OFF de la télécommande puis relâcher. Un bip se fera entendre depuis le récepteur
  - 3) Après environ 4 secondes, le système d'allumage par étincelles se mettra en marche pendant 60 secondes pour allumer le brûleur principal.
  - 4) L'appareil s'allume.
- Remarque : Au premier allumage, le système tente d'allumer les flammes pendant 60 secondes. Si l'essai est infructueux, le système fait une pause de 35 secondes. C'est ce qu'on appelle l'étape de rectification. Ce délai écoulé, le système tente à nouveau d'allumer les flammes en produisant des étincelles pendant 60 secondes. Si les flammes ne s'allument toujours pas, le système se met en mode verrouillage. Il faut alors le réinitialiser en suivant les étapes ci-dessous (pour le déverrouiller) :
- a) Attendre 5 minutes puis éteindre l'appareil en utilisant l'interrupteur ou la touche ON/OFF de la télécommande.
  - b) Attendre 2 secondes et rallumer le système à l'aide de l'interrupteur ou de la télécommande.
  - c) L'appareil répètera l'étape 2.

## TO TURN OFF GAS APPLIANCE

- 1) Turn the wall mounted switch or remote to the "OFF" position.
  - 2) If service is to be performed—you must disconnect power and shut off gas to the unit.
- 1) Utiliser l'interrupteur mural ou la télécommande pour mettre le système sur "OFF".
  - 2) Lors de l'entretien de l'appareil –débrancher l'alimentation électrique et couper le gaz de l'appareil.

**DO NOT REMOVE THIS INSTRUCTION PLATE**

919-401a



## MAINTENANCE INSTRUCTIONS

1. Always turn off the gas and electrical supply before cleaning. For relighting, refer to lighting instructions. Keep the burner and control compartment clean by brushing and vacuuming at least once a year.
  2. Clean appliance and door with a damp cloth (never when unit is hot). Never use an abrasive cleaner. The glass should be cleaned with a gas fireplace glass cleaner. **The glass should be cleaned when it starts looking cloudy.**
  3. The faceplate is finished in a heat resistant paint and should only be refinished with heat resistant paint. Regency® uses StoveBright Paint - Metallic Black #6309.
- Note: Faceplates and inner panels made from stainless steel will naturally change color over time.**
4. Make a periodic check of burner for proper position and condition. Visually check the flame of the burner periodically, making sure the flames are steady; not lifting or floating. If there is a problem, call a qualified service person.
  5. The appliance and venting system must be inspected before use, and at least annually, by a qualified field service person, to ensure that the flow of combustion and ventilation air is not obstructed.

**Note: Never operate the appliance without the glass properly secured in place.**

6. Do not use this appliance if any part has been under water. Immediately call a qualified service technician to inspect the appliance and to replace any part of the control system and any gas control which has been under water.
7. In the event this appliance has been serviced check that the vent-air system has been properly resealed & reinstalled in accordance with the manufacturer's instructions.
8. Verify operation after servicing.

## GLASS GASKET

If the glass gasket requires replacement use a tadpole glass gasket (Part # 936-159).

## GLASS DOOR

Your Regency® fireplace is supplied with high temperature 5mm-Ceramic glass. If your glass requires cleaning, we recommend using an approved glass cleaner available at all authorized dealers. Do not use abrasive materials.

### CAUTION & WARNINGS:

- \* Do not clean when the glass is hot.
- \* The use of substitute glass will void all product warranties.
- \* Care must be taken to avoid breakage of the glass.
- \* Do not strike or abuse the glass.
- \* Do not operate this fireplace without the glass front or with a cracked or broken glass front.
- \* Wear gloves when removing damaged or broken glass.
- \* Replacement of the glass panel(s) should be done by a licensed or qualified service person.

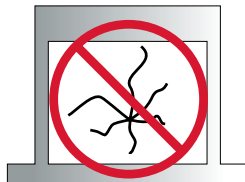
## GLASS REPLACEMENT

In the event that you break your glass by impact, purchase your replacement from an authorized Regency® dealer only.

Replacement neo-ceramic glass (Part # 940-361/P) is shipped with gasket.

### CAUTION: Wear gloves when removing damaged or broken glass.

**WARNING: Do not operate the appliance with the glass panels removed, cracked or broken. Replacement of the glass panels should be done by a licensed or qualified service person.**



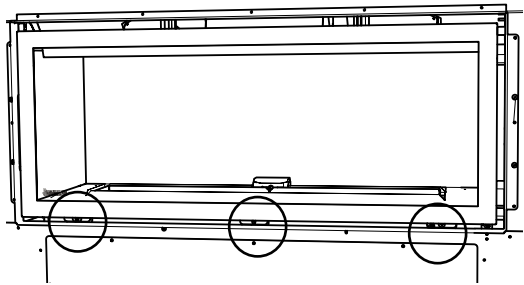
## GENERAL VENT MAINTENANCE

Conduct an inspection of the venting system semi-annually. Recommended areas to inspect as follows:

1. Check the Venting System for corrosion in areas that are exposed to the elements. These will appear as rust spots or streaks, and in extreme cases, holes. These components should be replaced immediately.
2. Remove the Cap, and shine a flashlight down the Vent. Remove any bird nests, or other foreign material.
3. Check for evidences of excessive condensation, such as water droplets forming in the inner liner, and subsequently dripping out the joints. Continuous condensation can cause corrosion of caps, pipe, and fittings. It may be caused by having excessive lateral runs, too many elbows, and exterior portions of the system being exposed to cold weather.
4. Inspect joints, to verify that no pipe sections or fittings have been disturbed, and consequently loosened. Also check mechanical supports such as Wall Straps, or plumbers' tape for rigidity.

## VALVE ASSEMBLY REPLACEMENT

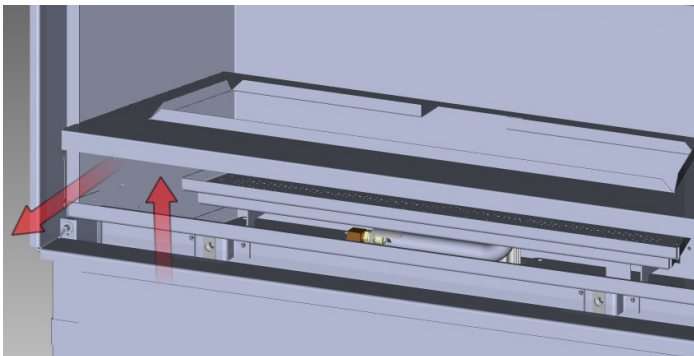
1. Turn the unit off and allow it to cool down to room temperature.
2. **Shut off** the gas and power supply to the unit.
3. Remove the faceplate or door frame -see instruction in this manual.
4. Remove the mesh barrier (see instructions in manual) and glass door.
  - a) Remove the 3 screws shown below at the bottom of the glass door.
  - b) Swing the door out 45° from the bottom and lift up and out.



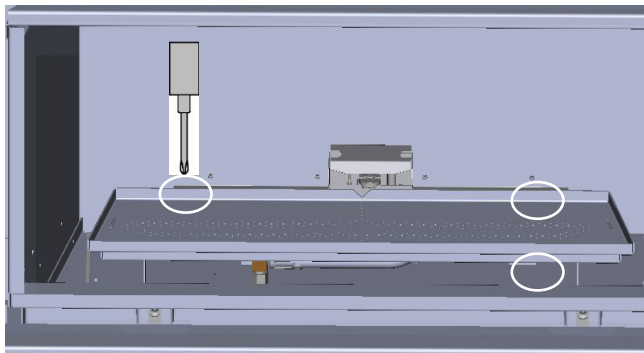
5. Remove the inner panels - reverse of "Inner panel Installation" in this manual.

6. Remove the burner tray cover by lifting up and out as shown below.

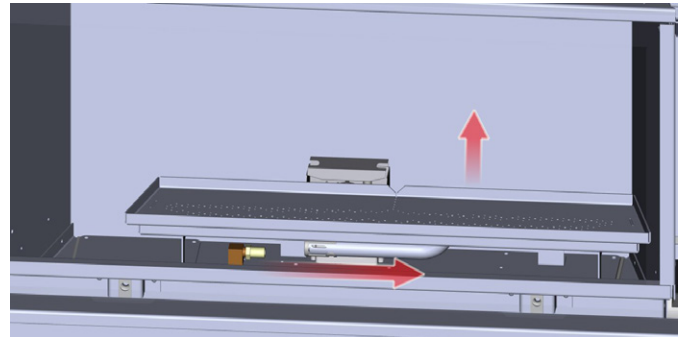
\* Prior to removing burner - remove crystals, pebbles, spa stones and inner panels - if installed.



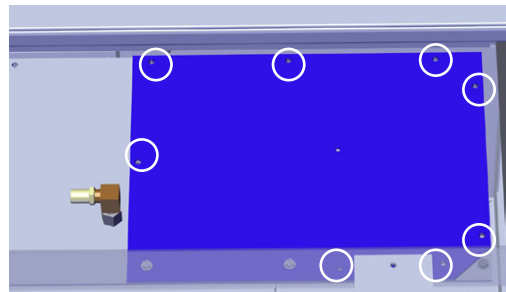
7. Remove 3 screws on the burner to release it - locations shown below.



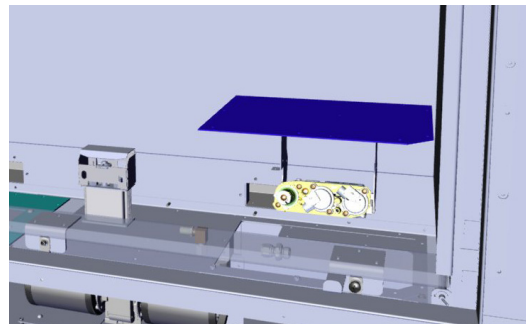
8. Remove the burner by sliding it to the right - then lift out.



9. Remove the valve access plate by undoing the 8 screws - see locations below.



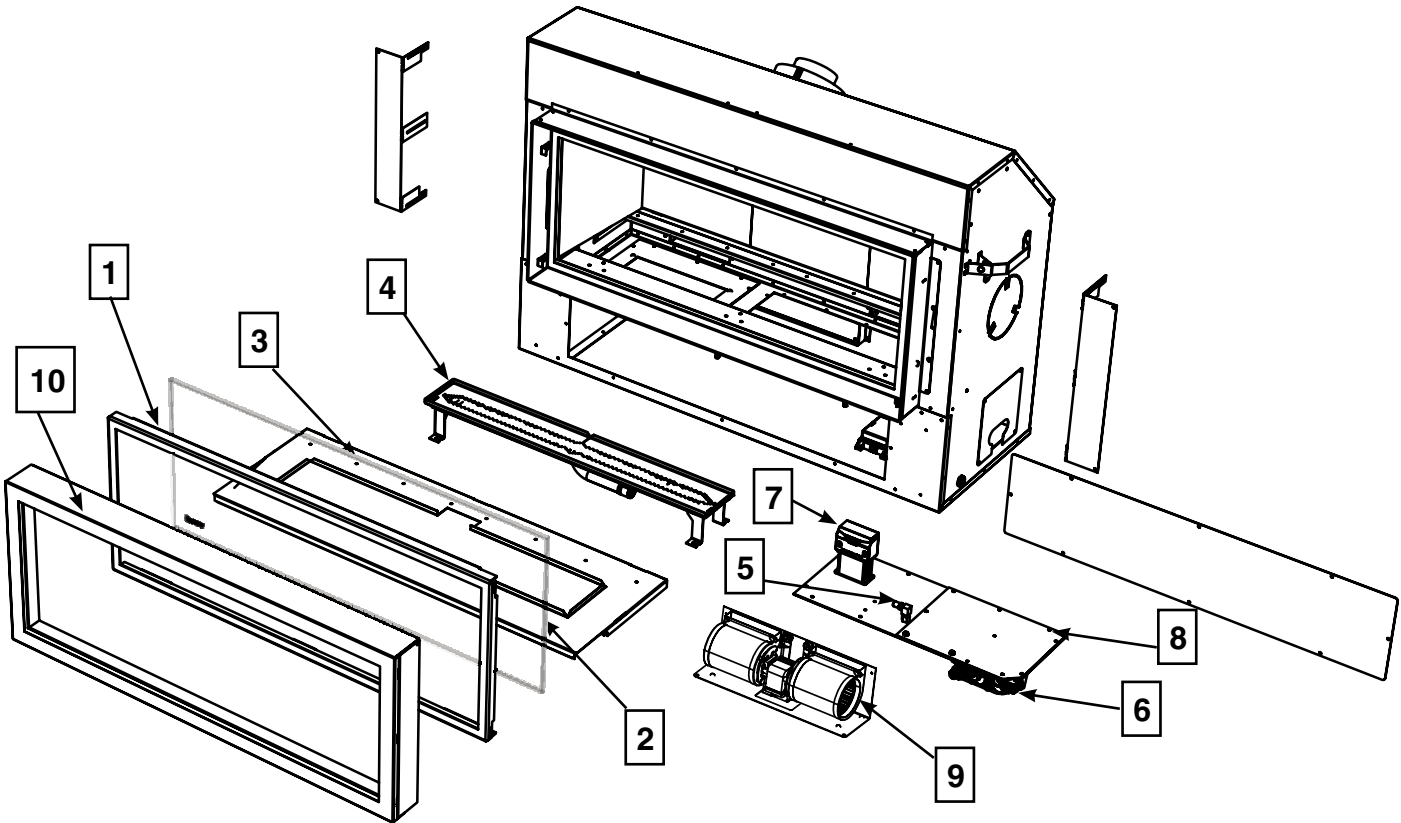
10. Disconnect the inlet gas line and remove the valve assembly.



11. Replace valve assembly and reverse steps.

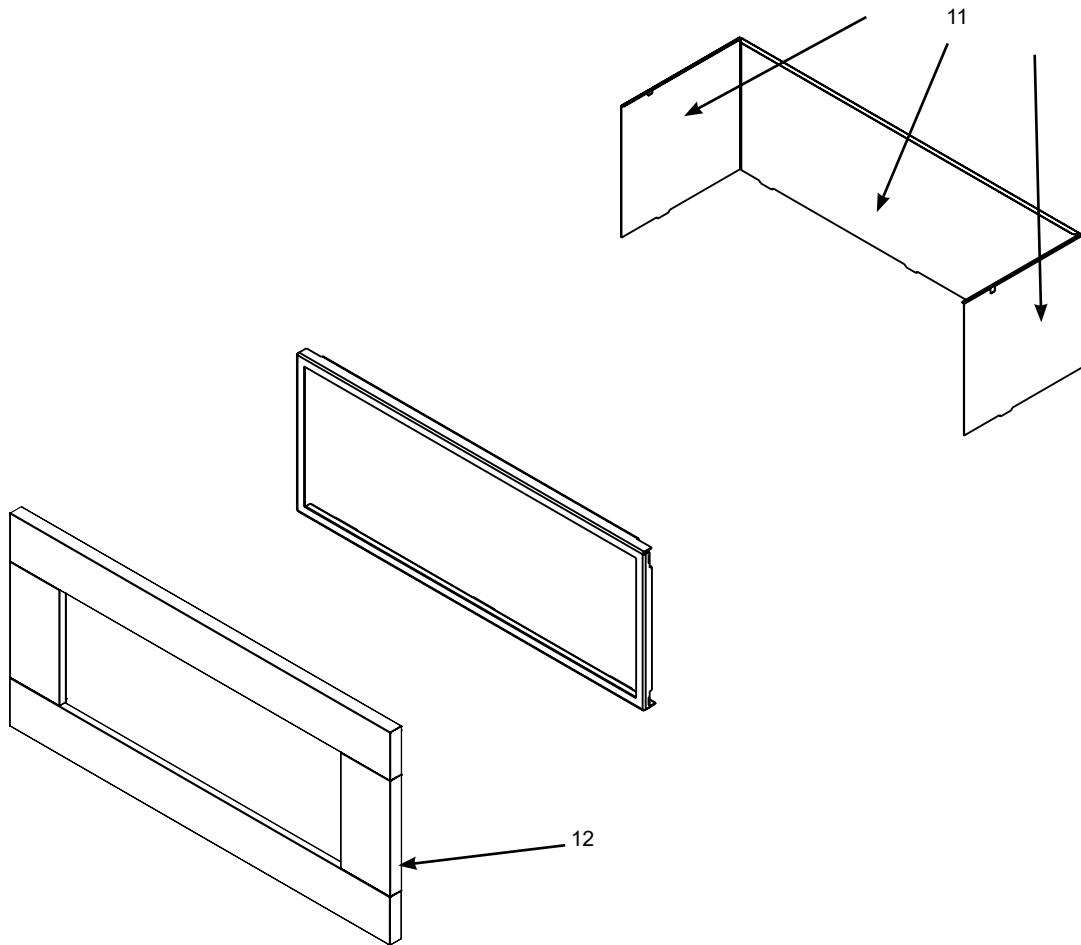
**MAIN ASSEMBLY**

Part #	Description	Part #	Description
1	256-038 Frame Door HZ40E	* 911-032	10 ft. wiring harness
2	940-361/P Glass Neoceram Flush HZ40E	* 910-572	Wall switch receiver
3	256-039 Bottom Tray HZ40E	* 910-576	Receiver wall plate (white)
4	256-525 Burner Assembly NG c/w Cap HZ40E	* 911-037	Flame Sensor
	256-530 Burner Assembly LP c/w Cap HZ40E	* 911-038	Flame electrode
5	904-345 Orifice #53 LP	* 910-100	Pilot orifice NG
	904-593 Orifice #40 NG	* 910-101	Pilot orifice LP
6	911-084 Valve NG 885 SIT IPI	* 911-039	Pilot Hood 2 way
	911-085 Valve LP 885 SIT IPI	* 911-137	Pilot Clip
7	911-006 Pilot Assembly IPI NG	* 910-432	Pilot Tube
	911-007 Pilot Assembly IPI LP	* 910-142	Fan Thermodisc
8	258-574E/P Valve Assembly HZ40E NG SIT	* 911-012	Ignition board
	258-576E/P Valve Assembly HZ40E LP SIT	* 911-013	IPI/CPI Switch
9	910-157/P Replacement Fan (Dual Blower)	* 911-010	Stepper Motor/Modulator - NG
10	258-013 Safety screen	* 911-011	Stepper Motor/Modulator - LP
		*	Not Shown



**ACCESSORIES**

<b>Part #</b>	<b>Description</b>	<b>5 pound bag of glass crystals</b>	<b>5 pound bag of firebeads</b>
11.	256-908 Black Enamel Inner Panels	<b>Part #</b>	<b>Description</b>
12.	258-954 Faceplate Black	946-775 Black Reflective Crystals	946-739 Black Firebeads
	258-957 Faceplate Brushed Stainless	946-776 Copper Crystals	946-740 Sangria Luster Firebeads
		946-777 Starfire Crystals	946-741 Glacier Ice Firebeads
	256-934 Outer Door Frame Black	946-672 Natural River Pebbles	946-742 Caramel Luster Firebeads
	256-947 Outer Door Frame Stainless	946-674 Ceramic Spa Stones	
	258-964 Inner Door Frame Black	946-710 Volcanic Stones Slate/Grey	<b>1 pound bag of firebeads</b>
	258-967 Inner Door Frame Stainless	946-711 Volcanic Stones Ivory/Tan	<b>Part #</b>
			<b>Description</b>
	256-951 Verona Glass Surround Pure Black	<b>1 pound bag of glass crystals</b>	946-735 Black Firebeads
		<b>Part #</b>	946-736 Sangria Luster Firebeads
	256-955 Verona Glass Surround Chocolate Brown	946-675 Black Reflective Crystals	946-737 Glacier Ice Firebeads
		946-676 Copper Crystals	946-738 Caramel Luster Firebeads
	258-917 Fan Kit	946-677 Starfire Crystals	
	258-013 Mesh Guard		
	256-930/P Log Set	258-900 Steel Stud Framing Kit	





**Limited Lifetime Warranty**

FPI Fireplace Products International Ltd. (for Canadian customers) and Fireplace Products U.S., Inc. (for U.S. customers) (collectively referred to herein as “FPI”) extends this Limited Lifetime Warranty to the original purchaser of this appliance provided the product remains in the original place of installation. The items covered by this limited warranty and the period of such coverage is set forth in the table below.

Some conditions apply (see below).

The policy is not transferable, amendable or negotiable under any circumstances.

Indoor Gas Products Warranty Coverage Parts and Labor	Part				Supplier Warranty	Labor Coverage (Years)
	Lifetime	5 years	2 years	1 year		
Firebox and Heat Exchanger	✓					3
Steel Burner Tube	✓					3
Glass Thermal breakage only	✓					3
All Surrounds/Inlays Finishes		✓				3
Brick Panels/Log sets/Ceramic Burners		✓				3
All Castings		✓				3
Valve assembly and all gas control components, (Pilot assembly, flame sensors, Spark Electrode, Pilot Tubing, Orifices, Thermocouple, Thermopile)			✓			2
All Other Electrical components,(Ignition Control Boards, Wiring, Switches, Blowers, Blower Control Module, Battery Pack, Remote Control Systems)			✓			2
Enamel Panels			✓			1
Venting/Venting Components			✓			1
All Stainless steel surrounds				✓		1
All Firebox Media (Crystals, Firebeads, Volcanic, Ceramic & Spa Stones)				✓		1
All hardware				✓		1
Mesh/Glass Safety Barriers				✓		1
Accent Light Bulbs				✓		1
Glass (Crazing)				✓		1

**Conditions:**

Warranty protects against defect in manufacture or FPI factory assembled components only, unless herein specified otherwise.

Any part(s) found to be defective during the warranty period as outlined above will be repaired or replaced at FPI’s option through an accredited distributor, dealer or pre-approved and assigned agent provided that the defective part is returned to the distributor, dealer or agent for inspection if requested by FPI. Alternatively, FPI may at its own discretion fully discharge all of its obligations under the warranty by refunding the verified purchase price of the product to the original purchaser. The purchase price must be confirmed by the original Bill of Sale.

**The authorized selling dealer, or an alternative authorized FPI dealer if pre-approved by FPI, is responsible for all in-field diagnosis and service work related to all warranty claims. FPI is not responsible for results or costs of workmanship of unauthorized FPI dealers or agents in the negligence of their service work.**



At all times FPI reserves the right to inspect reported complaints on location in the field claimed to be defective prior to processing or authorizing of any claim. Failure to allow this upon request will void the warranty.

All warranty claims must be submitted by the dealer servicing the claim, including a copy of the Bill of Sale (proof of purchase by you). All claims must be complete and provide full details as requested by FPI to receive consideration for evaluation. Incomplete claims may be rejected.

Unit must be installed according to all manufacturers' instructions as per the manual.

All Local and National required codes must be met.

The installer is responsible to ensure the unit is operating as designed at the time of installation.

The original purchaser is responsible for annual maintenance of the unit, as outlined in the owner's manual. As outlined below, the warranty may be voided due to problems caused by lack of maintenance.

**Exclusions:**

This Limited Lifetime Warranty does not extend to paint, rust or corrosion of any kind due to a lack of maintenance or improper venting, combustion air provision, corrosive chemicals (i.e. chlorine, salt, air, etc.), door or glass gasketing.

Malfunction, damage or performance based issues as a result of environmental conditions, location, chemical damages, downdrafts, installation error, installation by an unqualified installer, incorrect chimney components (including but not limited to cap size or type), operator error, abuse, misuse, use of improper fuels, lack of regular maintenance and upkeep, acts of God, weather related problems from hurricanes, tornados, earthquakes, floods, lightning strikes/bolts or acts of terrorism or war, which result in malfunction of the appliance are not covered under the terms of this Limited Lifetime Warranty.

FPI has no obligation to enhance or modify any unit once manufactured (i.e. as products evolve, field modifications or upgrades will not be performed on existing appliances).

This warranty does not cover dealer travel costs for diagnostic or service work. All labor rates paid to authorized dealers are subsidized, pre-determined rates. Dealers may charge homeowner for travel and additional time beyond their subsidy.

Any unit showing signs of neglect or misuse will not be covered under the terms of this warranty policy and may void this warranty. This includes units with rusted or corroded fireboxes which have not been reported as rusted or corroded within three (3) months of installation/purchase.

Units which show evidence of being operated while damaged, or with problems known to the purchaser and causing further damages will void this warranty.

Units where the serial no. has been altered, deleted, removed or made illegible will void this warranty.

Minor movement, expansion and contraction of the steel is normal and is not covered under the terms of this warranty.

Freight damages for products or parts are not covered under the terms of the warranty.

Products made or provided by other manufacturers and used in conjunction with the FPI appliance without prior authorization from FPI may void this warranty.

**Limitations of Liability:**

The original purchaser's exclusive remedy under this warranty, and FPI's sole obligation under this warranty, express or implied, in contract or in tort, shall be limited to replacement, repair, or refund, as outlined above. IN NO EVENT WILL FPI BE LIABLE UNDER THIS WARRANTY FOR ANY INCIDENTAL OR CONSEQUENTIAL COMMERCIAL DAMAGES OR DAMAGES TO PROPERTY. TO THE EXTENT PERMITTED BY APPLICABLE LAW, FPI MAKES NO EXPRESS WARRANTIES OTHER THAN THE WARRANTY SPECIFIED HEREIN. THE DURATION OF ANY IMPLIED WARRANTY IS LIMITED TO DURATION OF THE EXPRESSED WARRANTY SPECIFIED ABOVE. IF IMPLIED WARRANTIES CANNOT BE DISCLAIMED, THEN SUCH WARRANTIES ARE LIMITED IN DURATION TO THE DURATION OF THIS WARRANTY.

Some U.S. states do not allow limitations on how long an implied warranty lasts, or allow exclusion or limitation of incidental or consequential damages, so the above limitations or exclusions may not apply to you.

Customers located outside the U.S. should consult their local, provincial or national legal codes for additional terms which may be applicable to this warranty.

**How to Obtain Warranty Service:**

Customers should contact the authorized selling dealer to obtain warranty service. In the event the authorized selling dealer is unable to provide warranty service, please contact FPI by mail at the address listed below. Please include a brief description of the problem and your address, email and telephone contact information. A representative will contact you to make arrangements for an inspection and/or warranty service.

Canadian Warrantor:**FPI Fireplace Products International Ltd.**

6988 Venture St.  
Delta, British Columbia  
Canada, V4G 1H4

U.S. Warrantor:**Fireplace Products U.S., Inc.**

PO Box 2189 PMB 125  
Blaine, WA  
United States, 98231

Or contact the Regency Customer Care Centre at 1-800-442-7432 (phone) / 604-946-4349 (fax)

**Product Registration and Customer Support:**

Thank you for choosing a Regency Fireplace. Regency strives to be a world leader in the design, manufacture, and marketing of hearth products. To provide the best support for your product, we request that you complete a product registration form at <http://www.regency-fire.com/Customer-Care/Warranty-Registration.aspx> within ninety (90) days of purchase.



### Product Registration and Customer Support:

Thank you for choosing a Regency Fireplace. Regency strives to be a world leader in the design, manufacture, and marketing of hearth products. To provide the best support for your product, we request that you complete a product registration form found on our Web Site under Customer Care within ninety (90) days of purchase.

For purchases made in **CANADA or the UNITED STATES:**

<http://www.regency-fire.com/Customer-Care/Warranty-Registration.aspx>

For purchases made in AUSTRALIA:

<http://www.regency-fire.com.au/Customer-Care/Warranty-Registration.aspx>

You may also complete the warranty registration form below to register your Regency Fireplace Product and mail and/or fax it back to us, and we will register the warranty for you. It is important you provide us with all the information below in order for us to serve you better.

### Warranty Registration Form (or Register online immediately at the above Web Site):

<b>Warranty Details</b>	
Serial Number (required):	
Purchase Date (required) (mm/dd/yyyy):	
<b>Product Details</b>	
Product Model (required):	
<b>Dealer Details</b>	
Dealer Name (required):	
Dealer Address:	
Dealer Phone #:	
Installer:	
Date Installed (mm/dd/yyyy):	
<b>Your Contact Details (required)</b>	
Name:	
Address:	
Phone:	
Email:	

For purchases made in CANADA:

**FPI Fireplace Products  
International Ltd.**  
6988 Venture St.  
Delta, British Columbia  
Canada, V4G 1H4

Phone: 604-946-5155  
Fax: 604-946-4349

For purchases made in the UNITED STATES:

**Fireplace Products U.S., Inc.**  
PO Box 2189 PMB 125  
Blaine, WA  
United States, 98231

Phone: 604-946-5155  
Fax: 604-946-4349

For purchases made in AUSTRALIA:

**Fireplace Products Australia Pty  
Ltd**  
1 Conquest Way  
Hallam, VIC  
Australia, 3803

Phone: +61 3 9799 7277  
Fax: +61 3 97997822

For fireplace care and tips and answers to most common questions please visit our Customer Care section on our Web Site. Please feel free to contact your selling dealer if you have any questions about your Regency product.





***Installer: Please complete the following information***

**Dealer Name & Address:** \_\_\_\_\_

\_\_\_\_\_

**Installer:** \_\_\_\_\_

**Phone #:** \_\_\_\_\_

**Date Installed:** \_\_\_\_\_

**Serial No.:** \_\_\_\_\_



*Horizon HZ40 Product Video*