



**Liberty® LRI3E / Regency Horizon® HRI3E  
Gas Insert**

**Owners &  
Installation Manual**



[www.regency-fire.com](http://www.regency-fire.com)

MODELS: LRI3E-NG Natural Gas      LRI3E-LP Propane  
          HRI3E-NG Natural Gas      HRI3E-LP Propane

**⚠ WARNING**  
**FIRE OR EXPLOSION HAZARD**  
Failure to follow safety warnings exactly could result in serious injury, death, or property damage.

- Do not store or use gasoline or other flammable vapors and liquids in the vicinity of this or any other appliance.

**- WHAT TO DO IF YOU SMELL GAS**

- Do not try to light any appliance.
- Do not touch any electrical switch: do not use any phone in your building. Leave the building immediately.
- Immediately call your gas supplier from a neighbour's phone. Follow the gas supplier's instructions.
- If you cannot reach your gas supplier, call the fire department.

- Installation and service must be performed by a qualified installer, service agency or the gas supplier.




*Installer:* Please complete the details on the back cover and leave this manual with the homeowner.  
*Homeowner:* Please keep these instructions for future reference.

## TO THE NEW OWNER

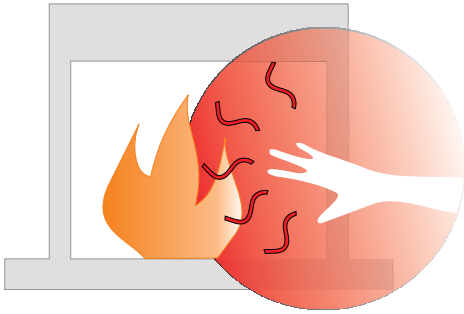
Congratulations! You are the owner of a state-of-the-art Gas Insert by Regency.

The Regency Gas Insert Series of hand crafted appliances has been designed to provide you with all the warmth and charm of a fireplace, at the flick of a switch. The models LRI3E / HRI3E of this series have been approved by Warnock Hersey/Intertek for both safety and efficiency. As it also bears our own mark, it promises to provide you with economy, comfort and security for many trouble free years to follow.

Please take a moment now to acquaint yourself with these instructions and the many features of your Regency Fireplace.



# DANGER



**HOT GLASS WILL  
CAUSE BURNS**

**DO NOT TOUCH GLASS  
UNTIL COOLED**


**NEVER ALLOW CHILDREN  
TO TOUCH GLASS**

A barrier designed to reduce the risk of burns from the hot viewing glass is provided with this appliance and shall be installed for the protection of children and other at risk individuals.

**CAUTION:**  
HOT WHILE IN OPERATION. DO NOT TOUCH.  
SEVERE BURNS MAY RESULT. KEEP CHILDREN, CLOTHING, FURNITURE,  
GASOLINE, AND ANY LIQUIDS WITH FLAMMABLE VAPOURS AWAY.


**KEEP BURNER AND CONTROL COMPARTMENT CLEAN.  
SEE INSTALLATION AND OPERATING INSTRUCTIONS ACCOMPANYING  
APPLIANCE.**

919-358



www.nficertified.org

We recommend that our products be installed and serviced by professionals who are certified in the U.S. by the National Fireplace Institute® (NFI) or in Canada by Wood Energy Technical Training (WETT).



**This product may be installed in an aftermarket, permanently located, manufacture home (USA only) or mobile home, where not prohibited by local codes.**

**This appliance is only for use with the type of gas indicated on the rating plate. This appliance is not convertible for use with other gases, unless a certified kit is used.**

**Dimensions**

Unit dimensions with vignette faceplate .....4  
 Unit dimensions with vignette faceplate +  
 small backing plate .....4  
 Unit dimensions with 4 sided vignette faceplate +  
 backing plate .....5

**Installation**

Copy of Safety Label HRI3E .....6  
 Copy of Safety Label LRI3E .....7  
 MA Code - CO Detector .....8  
 Important Message .....9  
 Before You Start.....9  
 Important Message .....9  
 For Your Safety .....9  
 Specifications .....9  
 Gas Pressure Testing .....10  
 Installation Into A Solid Fuel Burning Fireplace  
 Or Factory Built Fireplace.....10  
 Factory-Built (Metal) Wood-Burning Fireplace  
 Requirements .....10  
 Installation Checklist.....11  
 Materials Required .....11  
 Minimum Fireplace Dimensions .....11  
 Minimum Clearances to combustibles .....12  
 Gas Connection .....13  
 Alternate approved cap/adaptor .....14  
 Standing pilot .....14  
 Vent restrictor plate Installation .....14  
 Flue / vent installation .....15  
 Air shutter Adjustment .....16  
 High Elevation.....17  
 Gas Line Installation .....17  
 Gas Pipe Pressure Testing .....17  
 GV60 Maxitrol Valve Description .....17  
 System with fan (LRI3E / HRI3E) .....18  
 Conversion from NG to LP .....19  
 Media installation.....21  
 HRI3E optional log set installation.....22

LRI3E log set installation .....24  
 Brick panel installation.....26  
 Painted black and enamel panel installation.....27  
 Glass door removal / installation.....28  
 Vignette faceplate with Safety screen installation.....29  
 Inlay installation .....30  
 Backing plate installation .....32  
 Optional hearth trim installation.....33  
 Optional mantel deflector installation.....33

**Operating Instructions**

Operating Instructions .....34  
 First Fire .....34  
 Automatic Convection Fan Operation .....34  
 Lighting Procedure .....35  
 Shutdown Procedure .....35  
 Normal Operating Sounds Of  
 Gas Appliances .....36  
 Copy Of Lighting Instruction Plate .....36

**Maintenance**

Maintenance Instructions .....37  
 Door Glass .....37  
 Pilot Adjustment.....38  
 General Vent Maintenance .....38  
 Log Replacement .....38  
 Glass Gasket.....38  
 Backup battery Pack.....38  
 Fan replacement - with remote control .....39  
 Fan Control Module replacement .....39  
 Valve replacement .....40

**Parts**

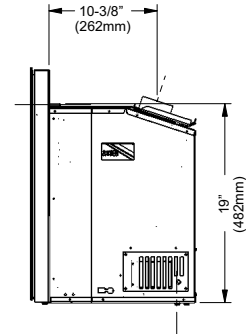
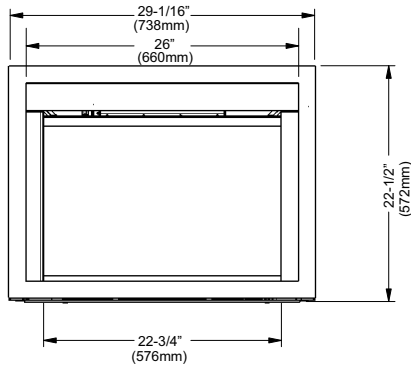
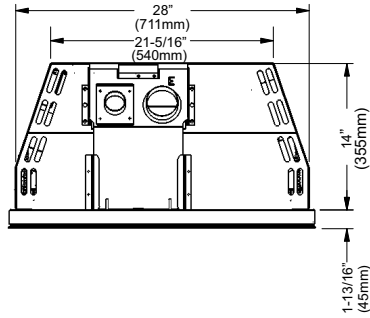
LRI3E parts list .....42  
 LRI3E Main Assembly .....43  
 HRI3E Parts list .....44  
 HRI3E Main assembly .....45  
 Accessories .....46

**Warranty**

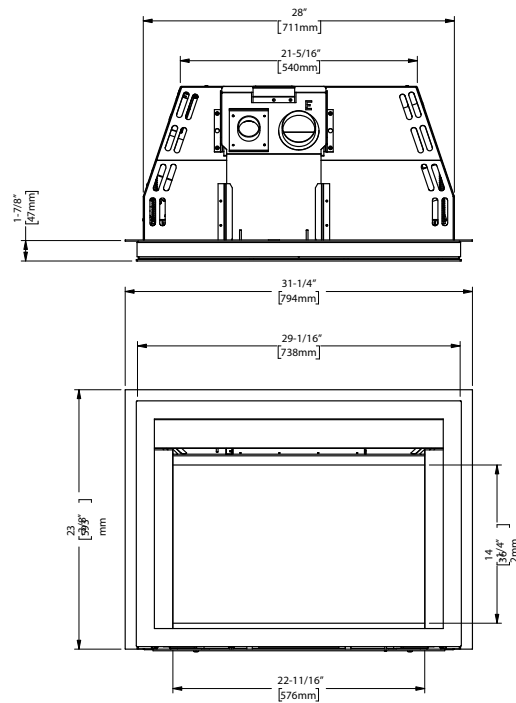
Warranty .....48

## 4 | dimensions

### UNIT DIMENSIONS WITH VIGNETTE FACEPLATE



### UNIT DIMENSIONS WITH VIGNETTE FACEPLATE + SMALL BACKING PLATE



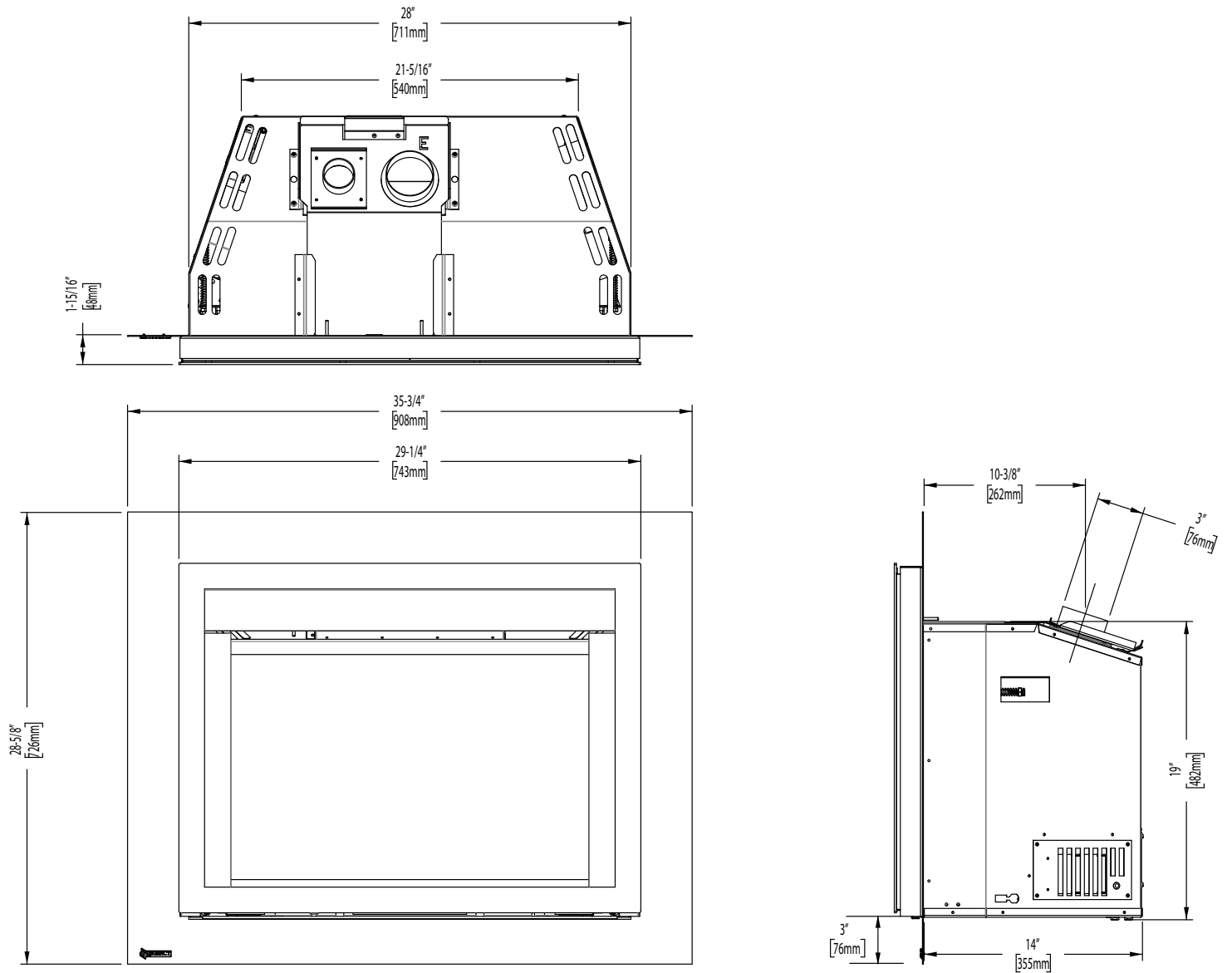
Not Shown:

Regular backing plate - 35-3/4" W x 25-5/8" H

Oversize backing plate - 38-3/16" W x 29-5/8" H






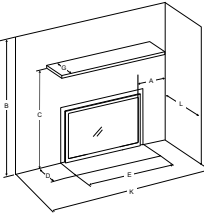

UNIT DIMENSIONS WITH 4 SIDED VIGNETTE FACEPLATE + BACKING PLATE



**COPY OF SAFETY LABEL HRI3E**

This is a copy of the labels that accompany each HRI3E Gas Insert. We have printed a copy of the contents here for your review.

**NOTE:** Regency units are constantly being improved. Check the label on the unit and if there is a difference, the label on the unit is the correct one.

Duplicate Serial number/Copie No de série		<b>448</b>
	<b>Listed:</b> VENTED GAS FIREPLACE HEATER / FOYER AU GAZ À ÉVACUATION <b>Certified for/Certifiée pour :</b> CANADA and U.S.A. <b>Tested to:</b> CAN/CGA-2.17-M91(R2009) <b>Conforms to:</b> ANSI Z21.88-2014 <b>Certified to:</b> CSA 2.33-2014	<b>448</b>
	Serial No. / No de série	
	<b>NATURAL GAS FIREPLACE INSERT: MODEL HRI3E-NG</b> <b>Factory Equipped For Altitude 0-4500ft. (0-1370m)</b> Min. supply pressure 5.5" WC (1.37 kpa) Low Setting Man. pressure 1.0" WC (0.25 kpa) Max. Manifold pressure 3.8" WC (0.95 kpa) Orifice size #45 DMS Minimum input 10,500 Btu/h (3.08 kW) Maximum input 21,000 Btu/h (6.15 kW)	<b>ÉQUIPÉ EN USINE POUR GAZ NATUREL</b> <b>MODÈLE HRI3E-NG</b> Pression d'alimentation minimum Pression de sortie (manifold) - basse Pression de sortie (manifold) - max. Taille de l'orifice Débit calorifique minimum Débit calorifique maximum
	<b>PROPANE GAS FIREPLACE INSERT: MODEL HRI3E-LP</b> <b>Factory Equipped For Altitude 0-4500ft. (0-1370m)</b> Min. supply pressure 11" WC (2.73 kpa) Low Setting Man. pressure 2.0" WC (0.5 kpa) Max. Manifold pressure 10.6" WC (2.64 kpa) Orifice size #55 DMS Minimum input 10,500 Btu/h (3.08 kW) Maximum input 21,000 Btu/h (6.15 kW)	<b>ÉQUIPÉ EN USINE POUR GAZ PROPANE</b> <b>MODÈLE HRI3E-LP</b> Pression d'alimentation minimum Pression de sortie (manifold) - basse Pression de sortie (manifold) - max. Taille de l'orifice Débit calorifique minimum Débit calorifique maximum
<b>Minimum Clearances to Combustibles</b> <b>from Insert/Dégagements min. combustibles</b> Side wall /mur latéral A 6" (152mm) Ceiling/Plafond B 60" (1524mm) Mantel/Manteau C 38" (965mm) Min. Alcove Width/ Largeur min. alcôve K 54" (1372mm) Max. Alcove Depth/ Prof. max. alcôve L 36" (914mm)		<b>Mantel Clearances / Dégagements manteau</b> Min. Hearth Depth/ Prof. min. âtre D 12" (305mm) Min. Hearth Width/ Largeur min. âtre E 36" (914mm) Max. Mantle Depth/ Prof. max. manteau G 12" (305mm)
 <b>MADE IN CANADA / FABRIQUÉ AU CANADA</b>		
This appliance must be installed in accordance with local codes, if any; if none, follow the National Fuel Gas Code, ANSI Z223.1, or Natural Gas and Propane Installation Code, CSA B149.1. This appliance is only for use with the type of gas indicated on the rating plate. This appliance is not convertible for use with other gases unless a certified kit is used. This appliance is only for use with the type of gas indicated on the rating plate and may be installed in an aftermarket, permanently located, manufactured (mobile) home where not prohibited by local codes. See owner's manual for details <b>WARNING:</b> This fireplace has been converted for use with a gas fireplace insert only and cannot be used for burning wood or solid fuels unless all original parts have been replaced, and the fireplace re-approved by the authority having jurisdiction. Cet appareil doit être installé conformément aux codes et règlements locaux, ou, en l'absence de tels règlements, conformément au National Fuel Gas Code ANSI Z223.1, ou au CSA-B149.1 en vigueur. Cet appareil doit être utilisé uniquement avec le type de gaz indiqué sur la plaque signalétique. Cet appareil peut être installé dans une maison préfabriquée ou mobile (É.-U. seulement) installée à demeure si les règlements locaux le permettent. Voir la notice de l'utilisateur pour plus de renseignements. Cet appareil ne peut pas être utilisé avec d'autres gaz sauf si une trousse de conversion certifiée est fournie. Cet appareil n'est pas convertible pour une utilisation avec d'autres gaz, sauf si un kit certifié est utilisé. <b>AVERTISSEMENT :</b> Ce foyer a été converti pour être utilisé avec un foyer au gaz encastrable et ne peut être utilisé pour brûler du bois ou d'autres combustibles solides à moins que toutes les pièces d'origine aient été remises en place et que le foyer ait été homologué de nouveau par une autorité compétente. This vented gas fireplace heater is not for use with air filters. <b>Ne pas utiliser de filtre à air avec ce foyer au gaz à évacuation.</b> For use with glass doors certified with the appliance only. <b>Pour utilisation uniquement avec les portes en verre certifiées avec l'appareil.</b> For use only with barrier (Part # 716-010) Follow installation instructions. <b>Pour utilisation uniquement avec l'écran(Pièce n°716-010)</b> Suivre les consignes d'installation.		
Electrical supply / Alimentation électrique 115VAC, 2.5 A, 60Hz, Less than 10A Fan Part # 911-207/Pièce ventilateur <b>VENTED GAS FIREPLACE HEATER - NOT FOR USE WITH SOLID FUELS.</b> <b>FOYER AU GAZ À ÉVACUATION - NE PAS UTILISER AVEC UN COMBUSTIBLE SOLIDE.</b>		
919-692		

For the State of Massachusetts, installation and repair must be done by a plumber or gasfitter licensed in the Commonwealth of Massachusetts.

For the State of Massachusetts, flexible connectors shall not exceed 36 inches in length.




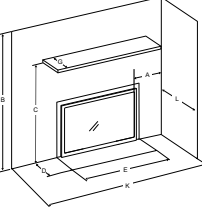

For the State of Massachusetts, the appliances individual manual shut-off must be a t-handle type valve.

The State of Massachusetts requires the installation of a carbon monoxide alarm in accordance with NFPA 720 and a CO alarm with battery back up in the same room where the gas appliance is installed.

**COPY OF SAFETY LABEL LRI3E**

This is a copy of the labels that accompany each LRI3E Gas Insert. We have printed a copy of the contents here for your review.

**NOTE:** Regency units are constantly being improved. Check the label on the unit and if there is a difference, the label on the unit is the correct one.

Duplicate Serial number/Copie No de série		<b>449</b>																																																										
	Listed: VENTED GAS FIREPLACE HEATER / FOYER AU GAZ À ÉVACUATION Certified for/Certifiée pour : CANADA and U.S.A. Tested to: CAN/CGA-2.17-M91(R2009) Conforms to: ANSI Z21.88-2014 Certified to: CSA 2.33-2014	<b>DO NOT REMOVE THIS LABEL /                  NE PAS ENLEVER CETTE ÉTIQUETTE</b>  <b>449</b> Serial No. / No de série																																																										
	<b>NATURAL GAS FIREPLACE INSERT: MODEL LRI3E-NG</b> <b>Factory Equipped For Altitude 0-4500ft. (0-1370m)</b> <table border="0" style="width: 100%;"> <tr> <td style="width: 30%;">Min. supply pressure</td> <td style="width: 10%;">5.5"</td> <td style="width: 10%;">WC</td> <td style="width: 10%;">(1.37 kpa)</td> <td style="width: 30%;">Pression d'alimentation minimum</td> </tr> <tr> <td>Low Setting Man. pressure</td> <td>1.0"</td> <td>WC</td> <td>(0.25 kpa)</td> <td>Pression de sortie (manifold) - basse</td> </tr> <tr> <td>Max. Manifold pressure</td> <td>3.8"</td> <td>WC</td> <td>(0.95 kpa)</td> <td>Pression de sortie (manifold) - max.</td> </tr> <tr> <td>Orifice size</td> <td>#45</td> <td>DMS</td> <td></td> <td>Taille de l'orifice</td> </tr> <tr> <td>Minimum input</td> <td>10,500</td> <td>Btu/h</td> <td>(3.08 kW)</td> <td>Débit calorifique minimum</td> </tr> <tr> <td>Maximum input</td> <td>21,000</td> <td>Btu/h</td> <td>(6.15 kW)</td> <td>Débit calorifique maximum</td> </tr> </table>	Min. supply pressure	5.5"	WC	(1.37 kpa)	Pression d'alimentation minimum	Low Setting Man. pressure	1.0"	WC	(0.25 kpa)	Pression de sortie (manifold) - basse	Max. Manifold pressure	3.8"	WC	(0.95 kpa)	Pression de sortie (manifold) - max.	Orifice size	#45	DMS		Taille de l'orifice	Minimum input	10,500	Btu/h	(3.08 kW)	Débit calorifique minimum	Maximum input	21,000	Btu/h	(6.15 kW)	Débit calorifique maximum	<b>ÉQUIPÉ EN USINE POUR GAZ NATUREL</b> <b>MODELE LRI3E-NG</b>																												
Min. supply pressure	5.5"	WC	(1.37 kpa)	Pression d'alimentation minimum																																																								
Low Setting Man. pressure	1.0"	WC	(0.25 kpa)	Pression de sortie (manifold) - basse																																																								
Max. Manifold pressure	3.8"	WC	(0.95 kpa)	Pression de sortie (manifold) - max.																																																								
Orifice size	#45	DMS		Taille de l'orifice																																																								
Minimum input	10,500	Btu/h	(3.08 kW)	Débit calorifique minimum																																																								
Maximum input	21,000	Btu/h	(6.15 kW)	Débit calorifique maximum																																																								
	<b>PROPANE GAS FIREPLACE INSERT: MODEL LRI3E-LP</b> <b>Factory Equipped For Altitude 0-4500ft. (0-1370m)</b> <table border="0" style="width: 100%;"> <tr> <td style="width: 30%;">Min. supply pressure</td> <td style="width: 10%;">11"</td> <td style="width: 10%;">WC</td> <td style="width: 10%;">(2.73 kpa)</td> <td style="width: 30%;">Pression d'alimentation minimum</td> </tr> <tr> <td>Low Setting Man. pressure</td> <td>2.0"</td> <td>WC</td> <td>(0.50 kpa)</td> <td>Pression de sortie (manifold) - basse</td> </tr> <tr> <td>Max. Manifold pressure</td> <td>10.6"</td> <td>WC</td> <td>(2.64 kpa)</td> <td>Pression de sortie (manifold) - max.</td> </tr> <tr> <td>Orifice size</td> <td>#55</td> <td>DMS</td> <td></td> <td>Taille de l'orifice</td> </tr> <tr> <td>Minimum input</td> <td>10,500</td> <td>Btu/h</td> <td>(3.08 kW)</td> <td>Débit calorifique minimum</td> </tr> <tr> <td>Maximum input</td> <td>21,000</td> <td>Btu/h</td> <td>(6.15 kW)</td> <td>Débit calorifique maximum</td> </tr> </table>	Min. supply pressure	11"	WC	(2.73 kpa)	Pression d'alimentation minimum	Low Setting Man. pressure	2.0"	WC	(0.50 kpa)	Pression de sortie (manifold) - basse	Max. Manifold pressure	10.6"	WC	(2.64 kpa)	Pression de sortie (manifold) - max.	Orifice size	#55	DMS		Taille de l'orifice	Minimum input	10,500	Btu/h	(3.08 kW)	Débit calorifique minimum	Maximum input	21,000	Btu/h	(6.15 kW)	Débit calorifique maximum	<b>ÉQUIPÉ EN USINE POUR GAZ PROPANE</b> <b>MODELE LRI3E-LP</b>																												
Min. supply pressure	11"	WC	(2.73 kpa)	Pression d'alimentation minimum																																																								
Low Setting Man. pressure	2.0"	WC	(0.50 kpa)	Pression de sortie (manifold) - basse																																																								
Max. Manifold pressure	10.6"	WC	(2.64 kpa)	Pression de sortie (manifold) - max.																																																								
Orifice size	#55	DMS		Taille de l'orifice																																																								
Minimum input	10,500	Btu/h	(3.08 kW)	Débit calorifique minimum																																																								
Maximum input	21,000	Btu/h	(6.15 kW)	Débit calorifique maximum																																																								
<b>Minimum Clearances to Combustibles from Insert/Dégagements min. combustibles</b>		<b>Mantel Clearances / Dégagements manteau</b>																																																										
<table border="0" style="width: 100%;"> <tr> <td style="width: 10%;">Side wall/mur latéral</td> <td style="width: 10%;">A</td> <td style="width: 10%;">6"</td> <td style="width: 10%;">(152mm)</td> </tr> <tr> <td>Ceiling/Piafond</td> <td>B</td> <td>60"</td> <td>(1524mm)</td> </tr> <tr> <td>Mantel/Manteau</td> <td>C</td> <td>38"</td> <td>(965mm)</td> </tr> <tr> <td>Min. Alcove Width/</td> <td></td> <td></td> <td></td> </tr> <tr> <td>Largeur min. alcove</td> <td>K</td> <td>54"</td> <td>(1372mm)</td> </tr> <tr> <td>Max. Alcove Depth/</td> <td></td> <td></td> <td></td> </tr> <tr> <td>Prof. max. alcove</td> <td>L</td> <td>36"</td> <td>(914mm)</td> </tr> </table>	Side wall/mur latéral	A	6"	(152mm)	Ceiling/Piafond	B	60"	(1524mm)	Mantel/Manteau	C	38"	(965mm)	Min. Alcove Width/				Largeur min. alcove	K	54"	(1372mm)	Max. Alcove Depth/				Prof. max. alcove	L	36"	(914mm)		<table border="0" style="width: 100%;"> <tr> <td style="width: 10%;">Min. Hearth Depth</td> <td style="width: 10%;">/</td> <td style="width: 10%;">D</td> <td style="width: 10%;">12"</td> <td style="width: 10%;">(305mm)</td> </tr> <tr> <td>Prof. min. âtre</td> <td></td> <td></td> <td></td> <td></td> </tr> <tr> <td>Min. Hearth Width/</td> <td></td> <td></td> <td></td> <td></td> </tr> <tr> <td>Largeur min. âtre</td> <td>E</td> <td>36"</td> <td>(914mm)</td> <td></td> </tr> <tr> <td>Max. Mantle Depth/</td> <td></td> <td></td> <td></td> <td></td> </tr> <tr> <td>Prof. max. manteau</td> <td>G</td> <td>12"</td> <td>(305mm)</td> <td></td> </tr> </table>	Min. Hearth Depth	/	D	12"	(305mm)	Prof. min. âtre					Min. Hearth Width/					Largeur min. âtre	E	36"	(914mm)		Max. Mantle Depth/					Prof. max. manteau	G	12"	(305mm)	
Side wall/mur latéral	A	6"	(152mm)																																																									
Ceiling/Piafond	B	60"	(1524mm)																																																									
Mantel/Manteau	C	38"	(965mm)																																																									
Min. Alcove Width/																																																												
Largeur min. alcove	K	54"	(1372mm)																																																									
Max. Alcove Depth/																																																												
Prof. max. alcove	L	36"	(914mm)																																																									
Min. Hearth Depth	/	D	12"	(305mm)																																																								
Prof. min. âtre																																																												
Min. Hearth Width/																																																												
Largeur min. âtre	E	36"	(914mm)																																																									
Max. Mantle Depth/																																																												
Prof. max. manteau	G	12"	(305mm)																																																									
<b>Regency Fireplace Products</b> Delta BC, CANADA		 MADE IN CANADA / FABRIQUÉ AU CANADA																																																										
This appliance must be installed in accordance with local codes, if any; if none, follow the National Fuel Gas Code, ANSI Z223.1, or Natural Gas and Propane Installation Code, CSA B149.1. This appliance is only for use with the type of gas indicated on the rating plate. This appliance is not convertible for use with other gases unless a certified kit is used. This appliance is only for use with the type of gas indicated on the rating plate and may be installed in an aftermarket, permanently located, manufactured (mobile) home where not prohibited by local codes. See owner's manual for details. <b>WARNING:</b> This fireplace has been converted for use with a gas fireplace insert only and cannot be used for burning wood or solid fuels unless all original parts have been replaced, and the fireplace re-approved by the authority having jurisdiction. Cet appareil doit être installé conformément aux codes et règlements locaux, ou, en l'absence de tels règlements, conformément au National Fuel Gas Code ANSI Z223.1, ou au CSA-B149.1 en vigueur. Cet appareil doit être utilisé uniquement avec le type de gaz indiqué sur la plaque signalétique. Cet appareil peut être installé dans une maison préfabriquée ou mobile (É.-U. seulement) installée à demeure si les règlements locaux le permettent. Voir la notice de l'utilisateur pour plus de renseignements. Cet appareil ne peut pas être utilisé avec d'autres gaz sauf si une trousse de conversion certifiée est fournie. Cet appareil n'est pas convertible pour une utilisation avec d'autres gaz, sauf si un kit certifié est utilisé.  AVERTISSEMENT : Ce foyer a été converti pour être utilisé avec un foyer au gaz encastrable et ne peut être utilisé pour brûler du bois ou d'autres combustibles solides à moins que toutes les pièces d'origine aient été remises en place et que le foyer ait été homologué de nouveau par une autorité compétente. This vented gas fireplace heater is not for use with air filters. <b>Ne pas utiliser de filtre à air avec ce foyer au gaz à évacuation.</b> For use with glass doors certified with the appliance only. <b>Pour utilisation uniquement avec les portes en verre certifiées avec l'appareil.</b> For use only with barrier (Part # 716-010) Follow installation instructions. <b>Pour utilisation uniquement avec l'écran (Pièce n° 716-010) Suivre les consignes d'installation.</b>																																																												
Electrical supply / Alimentation électrique 115VAC, 2.5 A, 60Hz, Less than 10A Fan Part # 911-207/Pièce ventilateur <b>VENTED GAS FIREPLACE HEATER - NOT FOR USE WITH SOLID FUELS.</b> <b>FOYER AU GAZ À ÉVACUATION - NE PAS UTILISER AVEC UN COMBUSTIBLE SOLIDE.</b>																																																												
919-693																																																												

For the State of Massachusetts, installation and repair must be done by a plumber or gasfitter licensed in the Commonwealth of Massachusetts.

For the State of Massachusetts, flexible connectors shall not exceed 36 inches in length.

For the State of Massachusetts, the appliances individual manual shut-off must be a t-handle type valve.

The State of Massachusetts requires the installation of a carbon monoxide alarm in accordance with NFPA 720 and a CO alarm with battery back up in the same room where the gas appliance is installed.

**MA Code - CO Detector  
(for the State of Massachusetts only)**

5.08: Modifications to NFPA-54, Chapter 10

(2) Revise 10.8.3 by adding the following additional requirements:

(a) For all side wall horizontally vented gas fueled equipment installed in every dwelling, building or structure used in whole or in part for residential purposes, including those owned or operated by the Commonwealth and where the side wall exhaust vent termination is less than seven (7) feet above finished grade in the area of the venting, including but not limited to decks and porches, the following requirements shall be satisfied:

1. **INSTALLATION OF CARBON MONOXIDE DETECTORS.** At the time of installation of the side wall horizontal vented gas fueled equipment, the installing plumber or gasfitter shall observe that a hard wired carbon monoxide detector with an alarm and battery back-up is installed on the floor level where the gas equipment is to be installed. In addition, the installing plumber or gasfitter shall observe that a battery operated or hard wired carbon monoxide detector with an alarm is installed on each additional level of the dwelling, building or structure served by the side wall horizontal vented gas fueled equipment. It shall be the responsibility of the property owner to secure the services of qualified licensed professionals for the installation of hard wired carbon monoxide detectors

a. In the event that the side wall horizontally vented gas fueled equipment is installed in a crawl space or an attic, the hard wired carbon monoxide detector with alarm and battery back-up may be installed on the next adjacent floor level.

b. In the event that the requirements of this subdivision can not be met at the time of completion of installation, the owner shall have a period of thirty (30) days to comply with the above requirements; provided, however, that during said thirty (30) day period, a battery operated carbon monoxide detector with an alarm shall be installed.

2. **APPROVED CARBON MONOXIDE DETECTORS.** Each carbon monoxide detector as required in accordance with the above provisions shall comply with NFPA 720 and be ANSI/UL 2034 listed and IAS certified.

3. **SIGNAGE.** A metal or plastic identification plate shall be permanently mounted to the exterior of the building at a minimum height of eight (8) feet above grade directly in line with the exhaust vent terminal for the horizontally vented gas fueled heating appliance or equipment. The sign shall read, in print size no less than one-half (1/2) inch in size, "**GAS VENT DIRECTLY BELOW. KEEP CLEAR OF ALL OBSTRUCTIONS**".

4. **INSPECTION.** The state or local gas inspector of the side wall horizontally vented gas fueled equipment shall not approve the installation unless, upon inspection, the inspector observes carbon monoxide detectors and signage installed in accordance with the provisions of 248 CMR 5.08(2)(a)1 through 4.

(b) **EXEMPTIONS:** The following equipment is exempt from 248 CMR 5.08(2)(a)1 through 4:

1. The equipment listed in Chapter 10 entitled "Equipment Not Required To Be Vented" in the most current edition of NFPA 54 as adopted by the Board; and

2. Product Approved side wall horizontally vented gas fueled equipment installed in a room or structure separate from the dwelling, building or structure used in whole or in part for residential purposes.

(c) **MANUFACTURER REQUIREMENTS - GAS EQUIPMENT VENTING SYSTEM PROVIDED.** When the manufacturer of Product Approved side wall horizontally vented gas equipment provides a venting system design or venting system components with the equipment, the instructions provided by the manufacturer for installation of the equipment and the venting system shall include:

1. Detailed instructions for the installation of the venting system design or the venting system components; and

2. A complete parts list for the venting system design or venting system.

(d) **MANUFACTURER REQUIREMENTS - GAS EQUIPMENT VENTING SYSTEM NOT PROVIDED.** When the manufacturer of a Product Approved side wall horizontally vented gas fueled equipment does not provide the parts for venting the flue gases, but identifies "special venting systems", the following requirements shall be satisfied by the manufacturer:

1. The referenced "special venting system" instructions shall be included with the appliance or equipment installation instructions; and

2. The "special venting systems" shall be Product Approved by the Board, and the instructions for that system shall include a parts list and detailed installation instructions.

(e) A copy of all installation instructions for all Product Approved side wall horizontally vented gas fueled equipment, all venting instructions, all parts lists for venting instructions, and/or all venting design instructions shall remain with the appliance or equipment at the completion of the installation.

## IMPORTANT MESSAGE SAVE THESE INSTRUCTIONS

The LRI3E / HRI3E Gas Inserts must be installed in accordance with these instructions. Carefully read all the instructions in this manual first. Consult the "authority having jurisdiction" to determine the need for a permit prior to starting the installation. It is the responsibility of the installer to ensure this fireplace is installed in compliance with manufacturers instructions and all applicable codes.

### BEFORE YOU START

Safe installation and operation of this appliance requires common sense, however, we are required by the Canadian Safety Standards and ANSI Standards to make you aware of the following:

**INSTALLATION AND REPAIR SHOULD BE DONE BY AN AUTHORIZED SERVICE PERSON. THE APPLIANCE SHOULD BE INSPECTED BEFORE USE AND AT LEAST ANNUALLY BY A PROFESSIONAL SERVICE PERSON. MORE FREQUENT CLEANING MAY BE REQUIRED DUE TO EXCESSIVE LINT FROM CARPETING, BEDDING MATERIAL, ETC. IT IS IMPERATIVE THAT CONTROL COMPARTMENTS, BURNERS AND CIRCULATING AIR PASSAGEWAYS OF THE APPLIANCE BE KEPT CLEAN.**

**DUE TO HIGH TEMPERATURES, THE APPLIANCE SHOULD BE LOCATED OUT OF TRAFFIC AND AWAY FROM FURNITURE AND DRAPERIES.**

**WARNING: FAILURE TO INSTALL THIS APPLIANCE CORRECTLY WILL VOID YOUR WARRANTY AND MAY CAUSE A SERIOUS HOUSE FIRE.**

**CHILDREN AND ADULTS SHOULD BE ALERTED TO THE HAZARDS OF HIGH SURFACE TEMPERATURES, ESPECIALLY THE FIREPLACE GLASS, AND SHOULD STAY AWAY TO AVOID BURNS OR CLOTHING IGNITION.**

**YOUNG CHILDREN SHOULD BE CAREFULLY SUPERVISED WHEN THEY ARE IN THE SAME AREA AS THE APPLIANCE. TODDLERS, YOUNG CHILDREN AND OTHERS MAY BE SUSCEPTIBLE TO ACCIDENTAL CONTACT BURNS. A PHYSICAL BARRIER IS RECOMMENDED IF THERE ARE AT RISK INDIVIDUALS IN THE HOUSE. TO RESTRICT ACCESS TO A FIREPLACE OR STOVE, INSTALL AN ADJUSTABLE SAFETY GATE TO KEEP TODDLERS, YOUNG CHILDREN AND OTHER AT RISK INDIVIDUALS OUT OF THE ROOM AND AWAY FROM HOT SURFACES.**

**CLOTHING OR OTHER FLAMMABLE MATERIAL SHOULD NOT BE PLACED ON OR NEAR THE APPLIANCE.**

**A BARRIER DESIGNED TO REDUCE THE RISK OF BURNS FROM THE HOT VIEWING GLASS IS PROVIDED WITH THIS APPLIANCE AND SHALL BE INSTALLED FOR THE PROTECTION OF CHILDREN AND OTHER AT-RISK INDIVIDUALS**

**IF THE BARRIER BECOMES DAMAGED, THE BARRIER SHALL BE REPLACED WITH THE MANUFACTURER'S BARRIER FOR THIS APPLIANCE.**

**ANY SAFETY SCREEN, GUARD, OR BARRIER REMOVED FOR SERVICING AN APPLIANCE MUST BE REPLACED PRIOR TO OPERATING THE APPLIANCE.**

## IMPORTANT MESSAGE SAVE THESE INSTRUCTIONS

The Regency Gas Insert must be installed in accordance with these instructions. Carefully read all the instructions in this manual first. Consult the building authority having jurisdiction to determine the need for a permit prior to starting the installation.

**NOTE:** Failure to follow the instructions could cause a malfunction of the heater which could result in death, serious bodily injury, and/or property damage. Failure to follow these instructions may also void your fire insurance and/or warranty.

### FOR YOUR SAFETY

This appliance requires air for proper combustion. Always provide adequate combustion and ventilation air. Follow instructions and information in CAN/CGA B149 (in Canada) or the National Fuel Gas Code ANSI Z223.1 (in the USA), regarding requirements for combustion and ventilation air.

### SPECIFICATIONS

At pressures over 1/2 psig, the pipe to the unit must be disconnected.

**Gas Input Capacity:**

Natural Gas	21,000	Btu/h
Propane	21,000	Btu/h

**Min. Input**

(with Proflame GTM or GTMF remote)

Natural Gas	10,500	Btu/h
Propane	10,500	Btu/h

**Fuels:** Approved for use with both natural gas, and propane. Approved as is for use at 0' to 4,500' (0-1370m).

**Electrical:** 120V A.C. system.

**Circulation Fan:** Variable speed, 140 CFM.

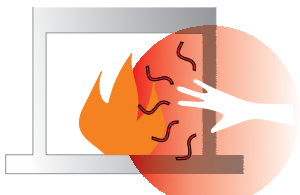
**Log Set:** Ceramic fibre, 7 per set - LRI3E

**Glass Crystals:** 4lbs of glass crystals - HRI3E

**Optional Log Set:** Ceramic fibre, 5 per set + 4lbs of glass crystals - HRI3E

**Vent System:** 2" intake with 3" exhaust.

The efficiency rating of the appliance is a product thermal efficiency rating determined under continuous operating conditions and was determined independent of any installed system.



## GAS PRESSURE TESTING

The appliance must be isolated from the gas supply piping system by closing its individual manual shut off valve during any pressure testing of the gas supply piping system at test pressures equal to or less than 1/2 psig. (3.45 kPa).

## INSTALLATION INTO A SOLID FUEL BURNING FIREPLACE OR FACTORY BUILT FIREPLACE

The LRI3E / HRI3E Gas Inserts have been tested and approved to be vented into any masonry fireplace or approved solid fuel burning factory built fireplace that will allow the insert to physically fit into the firebox. Refer to "Minimum Fireplace Dimensions" section for minimum fireplace clearances.

If the factory built fireplace\* height is too low for your Insert, you may remove the smoke baffle plate, damper, refractory (firebricks), glass doors, screen rails, screen mesh and log grates from the factory built fireplace as long as these items are saved and are reinstalled in the event that the Insert is removed. The fireplace flue damper can be fully blocked open or removed for installation of the gas fireplace insert.

Smoke shelves, shields and baffles may be removed if attached by mechanical fasteners. If any part is removed it must not weaken the structural integrity of the factory built fireplace.

The fireplace and fireplace chimney must be clean and in good working order and constructed of non-combustible materials.

The surround panels should not seal ventilation openings on the fireplace.

Chimney clean outs should fit properly.

**NOTE:** Any alterations made to the listed solid fuel burning factory built fireplace may void the listing of the fireplace.

Cutting any sheet metal part of the fireplace, in which the gas fireplace insert is to be installed is prohibited.

\*Check with your local inspector before commencing with this installation.

Installer must mechanically attach the supplied label to the inside of the firebox of the fireplace into which the gas fireplace insert is installed.

**"WARNING:** This fireplace has been converted for use with a gas fireplace insert only and cannot be used for burning wood or solid fuels unless all original parts have been replaced, and the fireplace re-approved by the authority having jurisdiction."

## FACTORY-BUILT (METAL) WOOD-BURNING FIREPLACE REQUIREMENTS

**NOTE:** Any parts that are removed must be removed in a way that would allow them to be re-installed if the insert is ever removed (removal of rivets or screws is acceptable).

To reference parts—see illustration below.

**Must be removed:**

- 1 - Damper
- 2 - Grate (with log set)

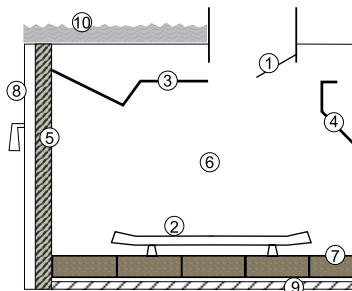
May be removed (if applicable):

- 3 - Smoke shelf
- 4 - Internal baffles
- 5 - Screen
- 6 & 7 - Masonry lining or refractory
- 8 - Metal or glass doors

The fireplace must be permanently marked to indicate that it has been altered and is no longer suitable for burning solid fuel (wood), unless the removed parts are re-installed. Cutting of any sheet metal parts is prohibited.

May be removed (in certain cases):

- 9 - Metal floor of the firebox
- 10 - The insulation and any structured rigid frame members must not be removed or altered (side and top of door frame, side and top of the face of the fireplace, metal sides, etc.).



**CAUTION:**

Firebox floor removal is not covered under the appliance safety standard (ANSI Z21.88, CSA 2.33) used in the safety certification of this appliance. The Intertek safety certification does not apply to this method of installation. Before installing the appliance using this method, contact the Authority Having Jurisdiction to determine if this installation is acceptable in your area. The sheet metal base of the fireplace must be left in place and a minimum 1/2" cement board sheet placed under the entire length and width of the appliance.

If the factory-built fireplace has no gas access hole(s) provided, an access hole of 1.5 inch (37.5 mm) or less may be drilled through the lower sides or bottom of the firebox in a proper workmanship like manner. This access hole must be plugged with non-combustible insulation after the gas supply line has been installed.

## General Safety Information

- 1) The appliance installation must conform with local codes or in the absence of local codes, with CAN/CGA B149 (in Canada) or the National Fuel Gas Code ANSI Z223.1 in the U.S.A. This appliance should be installed by a qualified gas fitter technician only.
- 2) **Installation and repair should be done by a qualified service person.**
- 3) The appliance should be inspected before use and at least annually by a professional service person. More frequent cleaning may be required due to excessive lint from carpeting, bedding material, animal hair, etc. It is imperative that control compartments, burners and circulating air passageways of the appliance be kept clean.
- 4) See general construction and assembly instructions. This appliance may only be installed in a vented, noncombustible fireplace.
- 5) This appliance is listed for bedroom installations when used with a listed Millivolt Thermostat. Some areas may have further requirements, check local codes before installation.
- 6) Always connect this insert to a vent system venting to the outside of the building envelope. Never vent to another room or inside a building. Make sure that the vent is properly sized and is of adequate height to provide the proper draft.
- 7) Inspect the venting system annually for blockage and any signs of deterioration.
- 8) Any glass removed for servicing must be replaced prior to operating the appliance.
- 9) To prevent injury, do not allow anyone who is unfamiliar with the operation to use the fireplace.
- 10) This appliance cannot be operated without brick or enamel panels in place.
- 11) Due to high temperatures, the appliance should be located out of high traffic areas and away from furniture and draperies. Children and adults should be alerted to the hazards of high surface temperatures, especially the fireplace glass and gold trims, and should stay away to avoid burns or clothing ignition. Young children should be carefully supervised when they are in the same room as the appliance. Clothing or other flammable material should not be placed on or near the appliance.

Emissions from burning wood or gas could contain chemicals known to the State of California to cause cancer, birth defects or other reproductive harm.

**WARNING:** Failure to position the parts in accordance with the diagrams in this manual or failure to use only parts specifically approved with this appliance may result in property damage or personal injury.



## INSTALLATION CHECKLIST

Before installing vent system ensure that the damper plate is open and secure to prevent the damper plate from falling down and crushing the liner.

The Regency Gas Insert is installed as listed.

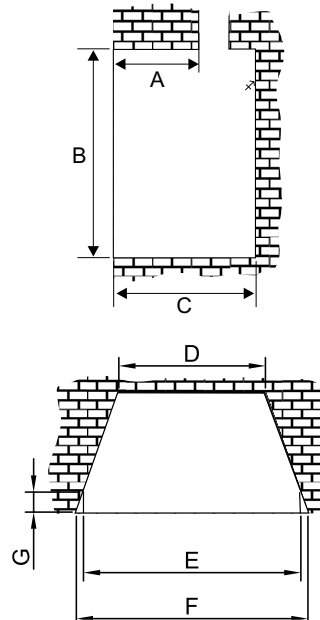
- 1) Check all clearances to combustibles, (Refer to sections "Minimum Fireplace Dimensions and Clearances to Combustibles")
- 2) Make the gas connection. (Refer to section "Gas Connection")
- 3) Install the two liners (2" intake and 3" exhaust) to the sliding connector plate. (Refer to section "Flue Liner Installation.")
- 4) Slide the unit half way into the fireplace.
- 5) Pull the vent connector plate through the tapered brackets and fasten to the front plate. Refer to section "Flue Liner Installation.")
- 6) Slide the unit fully into the fireplace. Level if necessary.
- 7) Hook up 120 volt AC power cord into a suitable receptacle. Optional: Install 4 batteries in the battery pack. Batteries only serve as back up if power is lost within the home.
- 8) Test gas pressure (Refer to section "Gas Pipe Pressure Testing"). Check aeration system (Refer to section "Gas Insert Aeration System").
- 9) Install standard and optional features. Refer to the following sections:
  - a. Brick Panels or Enamel Panels (must be installed)
  - b. Log Set
  - c. Glass Crystals
  - d. Spa stones
  - e. Vignette Faceplate
  - f. Mantel deflector
  - g. Hearth Trim
  - h. Backing plate/4 sided backing plate
- 10) **Final check:** Before leaving this unit with the customer, the installer must ensure that the appliance is firing correctly. This includes:
  - a) Locking the appliance to ensure the correct firing rate.
  - b) Adjusting the primary air, if required, to ensure that the flame does not carbon. See "Gas Insert Aeration System" section.
  - c) Ensuring that the appliance is venting correctly.

## MATERIALS REQUIRED

A 120 Volt AC power cord is hooked up to operate the fan and operate the gas valve when batteries are not installed in the receiver. Plug the 3 wire cord into a suitable receptacle. **Do not cut the ground terminal off under any circumstances.** When connected with 120 volts, the appliance must be electrically grounded in accordance with local codes, current version of CSA C22.1 (in Canada) or in the absence of local codes, with the National Electrical Code ANSI/NFPA 70-1987.

## MINIMUM FIREPLACE DIMENSIONS

The minimum fireplace clearances & dimensions for the Regency gas insert are shown in the following diagrams:



	Max Lintel Bar Depth A	Height B	Depth C	Width (rear) D	Width (front) E	Width F	Front Depth To Taper G
Vignette Faceplate	8-5/8"	19-1/2"	14-1/2"	21-5/8"	28-1/2"	31-1/8"	4"



### MINIMUM CLEARANCES TO COMBUSTIBLES

The clearances listed below are Minimum distances unless otherwise stated:

A major cause of fires is failure to maintain required clearances (air space) to combustible materials. It is of the greatest importance that this decorative gas appliance be installed only in accordance with these instructions.

Clearance:	Dimension	Measured From:
A: Sides	6" / 152 mm	From inside edge of faceplate / doors
B: Ceiling	60" / 1524 mm	From Base of Unit
C: Mantel (Min. Height)	*28" / 711mm 38" / 965mm	From Base of Unit From Base of Unit
D: Min. Hearth Depth	12" / 305mm	Not required if unit raised 3-1/2" off floor
E: Min. Hearth Length	36" / 914mm	
G: Max. Mantle Depth	0 -12" / 305 mm	@ 47" (1193mm) from bottom of unit
K: Min. Alcove Width	54" / 1372 mm	
L: Max. Alcove Depth	36" / 914 mm	
M: Mantel Deflector	3-1/2" / 89mm	

**NOTE:** 36" (914 mm) wide x 12" (305mm) deep non combustible hearth is required in front of the appliance, unless the unit is raised 3-1/2" (89 mm) off the floor surface.  
\*An optional 3-1/2" deflector, reduces the mantel height to 28" from bottom of unit @ 1" depth.

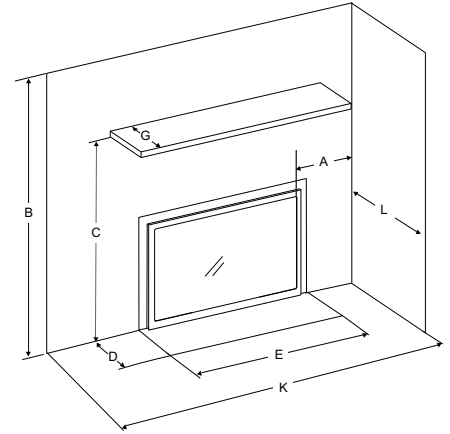


Diagram 1

#### MANTEL CLEARANCES WITHOUT DEFLECTOR

#### MANTEL CLEARANCES WITH 3-1/2" DEFLECTOR

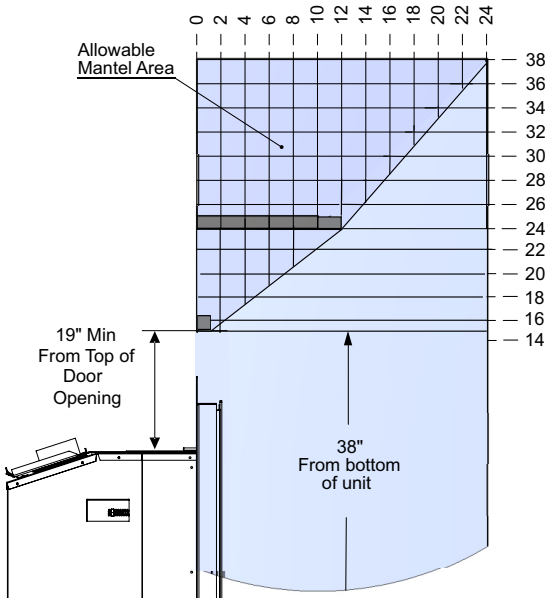


Diagram 2

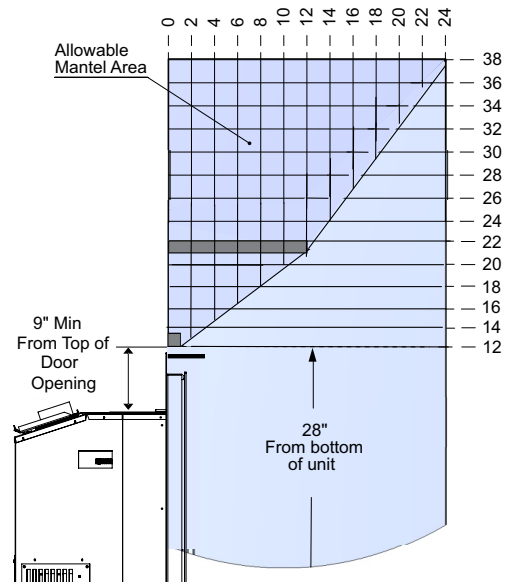


Diagram 3

**WARNING**  
Although this appliance passes safety certification, the hearth in front of the fireplace becomes very hot when the fireplace heats. Do not use the hearth as a seat or shelf.

**Note:** A 3-1/2" mantel deflector to reduce mantel height to 28" from bottom of unit @ 1" depth.

A noncombustible mantel may be installed at a lower height if the framing is made of metal studs covered with a noncombustible board.

**Note:** All material used must be completely non-combustible.

## GAS CONNECTION

**GAS CONNECTION WARNING:**  
**Only persons licensed to work with gas piping may make the necessary gas connections to this appliance.**

- 1) If the appliance is to be installed into an existing chimney system, thoroughly clean the masonry or factory built fireplace.
- 2) The appliance is provided with an opening on the left hand side of the control compartment. A 3/8" NPT gas supply pipe must be brought near this inlet hole.
- 3) Locate the center point where the vent will pass through the chimney above the appliance. Move the appliance into the exact location where it is to be installed. Ensure that the Insert is level.
- 4) Do not cut any sheet-metal parts of the fireplace, in which the gas fireplace insert is to be installed.
- 5) If the factory-built fireplace has no gas access hole(s) provided, an access hole of 1-1/2" (37.5mm) or less may be drilled through the lower sides or bottom of the firebox in a proper workmanship like manner. This access hole must be plugged with a non-combustible insulation after the gas supply line has been installed.

### THE APPLIANCE MUST NOT BE CONNECTED TO A CHIMNEY FLUE SERVING A SEPARATE SOLID FUEL BURNING APPLIANCE.

Masonry chimneys may take various contours which the flexible liner will accommodate. However, **keep the flexible liner as straight as possible**, avoid unnecessary bending.

The LRI3E/HRI3E are also approved for use with a 2" liner for air intake and a 3" liner for exhaust. This would be suitable for a Class A wood burning chimney with a minimum 6" round flue.

The chimney must be lined with one 2" diameter liner for intake and one 3" diameter liner for exhaust. The minimum vent length is 8' and maximum is 35'.

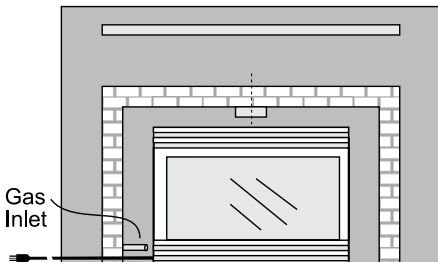
The Air Intake pipe must be attached to the inlet air collar of the termination cap. Periodically check that the vent is unrestricted.

### INSTALLATION WITH 3" & 2" LINERS

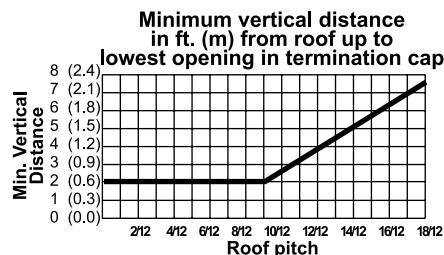
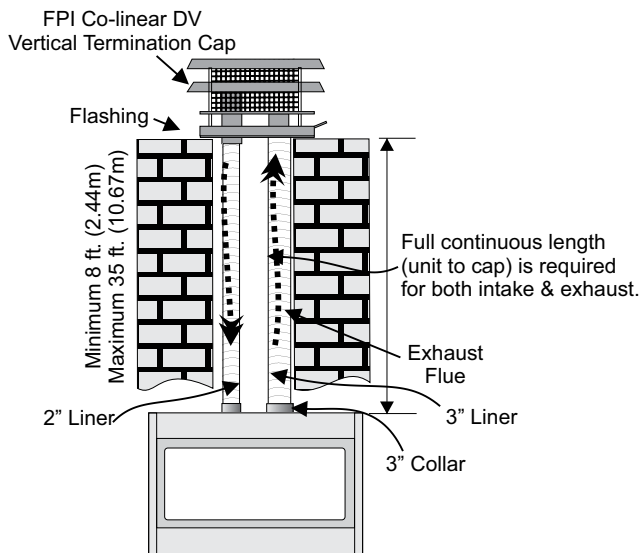
Part #	Description
948-305	3" Flex - 35 ft. (exhaust)
948-316	2" Flex - 35 ft. (intake)
946-582	Regency Co-linear DV Vertical Termination Cap, Flashing & 2" Collar

Vent Run	Vent Restrictor Position
Up to 8'	Position 1
Beyond 8'	No restrictor

**NOTE:** See instructions in the "Vent Restrictor Position" section on positioning of the vent restrictor.



Gas & Electrical Connections

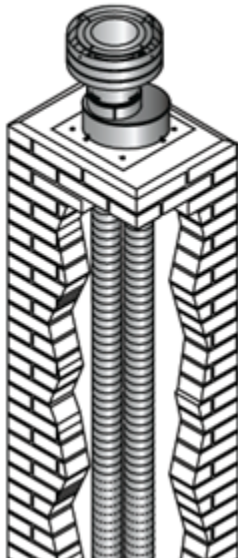


## ALTERNATE APPROVED CAPS/ADAPTOR

- 46DVA-GK 3" Co-linear Adaptor with flashing
- 46DVA-VC Vertical Termination Cap
- or
- 46DVA-VCH High Wind Cap
- \* 948-417/P 2" to 3" Increaser (Air inlet)

\*Note : The 46DVA-GK Co-linear Adaptor with flashing comes with 2 - 3" collars. The increaser is required to adapt the flex (air inlet side) which is 2 inch to the 46DVA-GK Co-linear Adaptor with flashing.

In areas of consistently high winds, we recommend using the Simpson Dura-Vent System (46DVA-GK adapter and 46DVA-VCH high-wind cap). The Air Intake pipe must be attached to the inlet air collar of the termination cap. This chimney system is also ideal when the chimney termination is round in applications where this appliance is being installed into a factory built fireplace.



## STANDING PILOT

The LRI3E / HRI3E use a heat exchanger and efficient combustion technology to provide extreme heating efficiencies. The more efficient an appliance becomes, the lower the flue gas temperatures becomes. On start-up, flue temperatures are required to initiate venting action.

Here are some considerations when setting up the LRI3E / HRI3E:

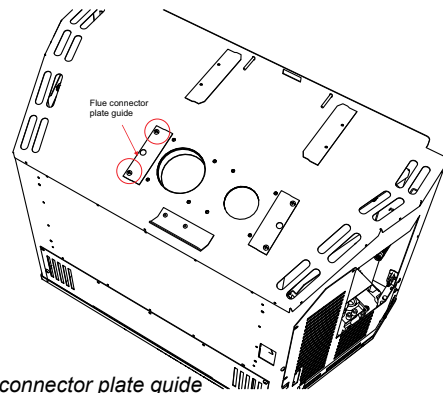
When operating the unit in temperatures below 50° F, run the pilot in "Standing Pilot" mode, 1. Press and hold the small flame icon on the hand held remote control to set the appliance at continuous pilot.

Note: If after 5 days the appliance has not had a call for heat, the pilot will extinguish and will not be present. To enable pilot operation you will need to repeat steps for continuous pilot operation.

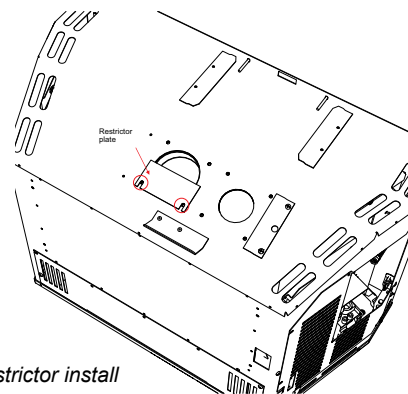
## VENT RESTRICTOR PLATE INSTALLATION

Note: only installed on runs at the minimum 8 feet vent height from above unit. If longer than 8 feet the restrictor is not required.

1. Remove flue connector plate by sliding out toward the back of the unit - see previous page.
2. Remove left flue connector plate guide by removing 2 screws as shown below.



Remove connector plate guide



Vent restrictor install

3. Flip the flue connector plate gasket to the right (out of the way) to allow ease of installation of the vent restrictor.
4. Install vent restrictor with 2 screws in location shown above.

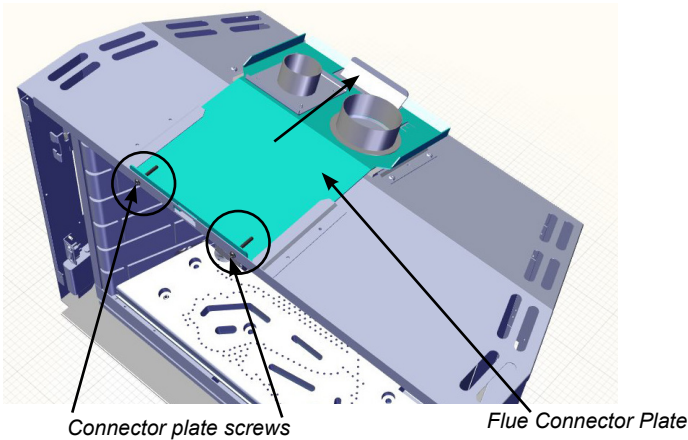
## FLUE / VENT INSTALLATION



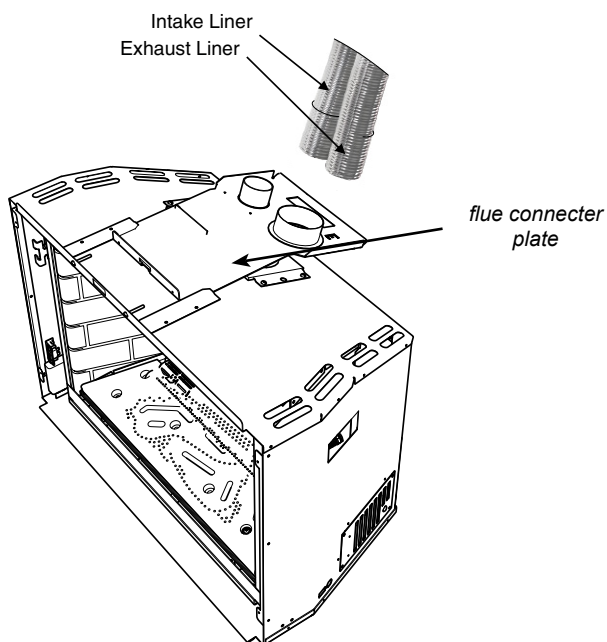
**NOTE:** Flue Plate Connector Gasket must not be damaged or removed. Care must be taken to ensure that this gasket remains intact to prevent flue leakage.

### Connecting the Vent Liners

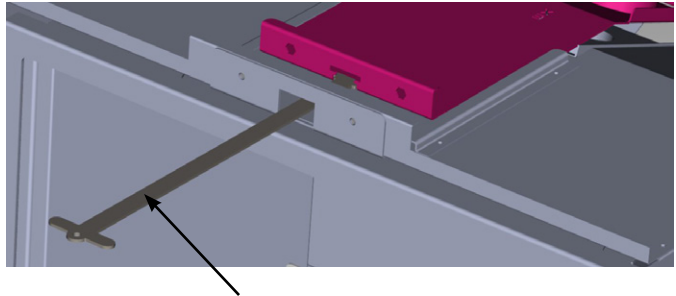
1. Detach the Flue Connector Plate from the unit by removing the Connector Plate Screws and sliding the Flue Connector Plate forward and off the unit.



2. Attach the Flue Liners onto the Flue Connector Plate using non RTV type sealant, then fasten with 3 screws. See the section in this manual on Venting installation.
3. Position the unit in front of the fireplace opening, start the Flue Connector Plate into the Flue Connector Plate Guides.



4. Use the Flue Connector Slide Tool to slowly pull the Flue Connector Plate forward as you move the Insert rearward into the Fireplace Chase.



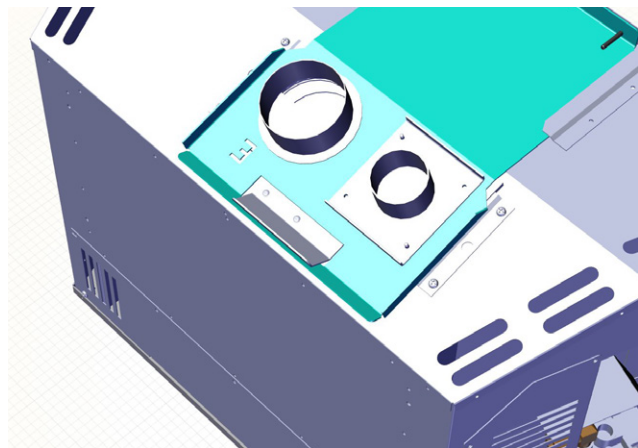
Flue Connector Slide Tool

5. When the Flue Connector Plate is close to the front of the unit, engage the Flue Connector Screws and carefully tighten the Flue Connector Plate the final amount.

\*\* Make sure the Rear Tab connects into the slot in the Flue Connector Plate. Failure to do so will result in flue gas leakage and degrade the operation of the unit \*\* (See diagram below of location.)

The Flue connection is complete when the Flue Connector Plate is fully forward and the Rear Tabs are fully engaged.

6. Remove the Flue Connector Tool and store for future use.



Tab connected correctly

**WARNING:**

Failure to position the parts in accordance with these diagrams or failure to use only parts specifically approved with this appliance may result in property damage or personal injury.

### AIR SHUTTER ADJUSTMENT

The burner aeration is factory set but may need adjusting due to either the local gas supply or altitude.

Air Shutters are required to increase or decrease the amount of air that is mixed with the fuel before combustion. This will have an effect on how well the fuel combusts and how the flame appears physically.

Low primary air will leave a taller, yellower flame while higher primary air will leave a lower, bluer flame.

This setting is largely for appearance, however, not enough primary air may lead to carboning, sooting or a flame that reaches the top of the firebox. Situations that may require more primary air are; units that are burning propane, units installed at higher elevations or units that are run on high most of the time.

Unit	Fuel Type	Min. Air Setting
LRI3E	NG	1/8" (3mm)
LRI3E	LP	1/4" (6mm)
HRI3E	NG	1/8" (3mm)
HRI3E	LP	5/16" (8mm)

NOTE: In higher elevations, air shutter settings may have to be opened more to compensate. The minimum air settings noted for the HRI3 are good for both media and driftwood log set.

**CAUTION:** Carbon will be produced if air shutter is closed too much.

**Note:** any damage due to carboning resulting from improperly setting the aeration controls is NOT covered under warranty.

**Note:** Aeration Adjustment should only be performed by an authorized Regency Installer at the time of installation or service.



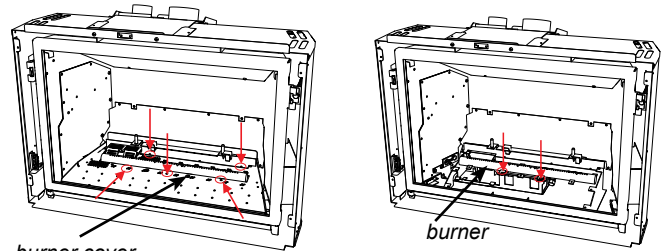
First Fire & Aeration

LRI3E- Remove the burner by removing 2 screws in locations shown below. Slide burner to the left and lift out to remove.



LRI3E

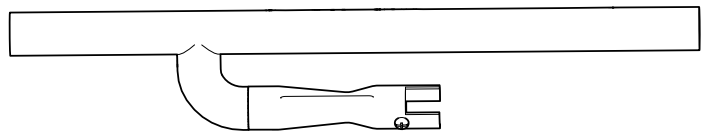
HRI3E - Remove the burner by removing 5 screws in locations shown below to remove burner cover and 2 screws to remove burner (shown below). Slide burner to the left to remove.



burner cover

burner

HRI3E



Screw to adjust aeration



LRI3E-NG / HRI3E-NG SYSTEM DATA	
Max. Supply Pressure	14" WC (3.45 kpa)
Min. Supply Pressure	5.5" WC (1.37 kpa)
Manifold Pressure	3.8" WC (0.95 kpa)
Orifice Size	#45 DMS
Maximum Input	21,000 Btu/h (6.15 kW)

LRI3E-LP / HRI3E-LP SYSTEM DATA	
Max. Supply Pressure	14" WC (3.45 kpa)
Min. Supply Pressure	11" WC (2.73 kpa)
Manifold Pressure	10.6" WC (2.64 kpa)
Orifice Size	#55 DMS
Maximum Input	21,000 Btu/h (6.15 kW)

### HIGH ELEVATION

This unit is approved for altitude 0 to 4500 ft. (CAN 2.17-M91).

### GAS LINE INSTALLATION

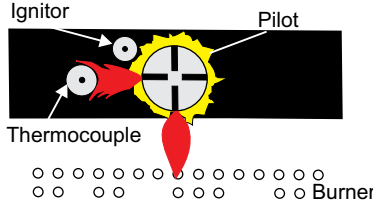
Since some municipalities have additional local codes it is always best to consult with your local authorities and the CAN/CGA B149 installation code.

For USA installations follow local codes and/or the current National Fuel Gas Code, ANSI Z223.1.

When using copper or flex connectors use only approved fittings. Always provide a union so that gas lines can be easily disconnected for servicing. Flare nuts for copper lines and flex connectors are usually considered to meet this requirement.

**NOTE: A shutoff / dante valve should be supplied in or near the unit (or as per local codes) for ease of servicing this appliance.**

**IMPORTANT: Always check for gas leaks with a soap and water solution or gas leak detector. Do not use open flame for leak testing.**



**Note: If you have an incorrect flame pattern, contact your Regency® dealer for further instructions.**

**Incorrect flame pattern will have small, probably yellow flames, not coming into proper contact with the rear burner or flame sensor.**

### GAS PIPE PRESSURE TESTING

The appliance must be isolated from the gas supply piping system by closing its individual manual shut-off valve during any pressure testing of the gas supply piping system at test pressures equal to or less than 1/2 psig. (3.45 kPa). Disconnect piping from valve at pressures over 1/2 psig.

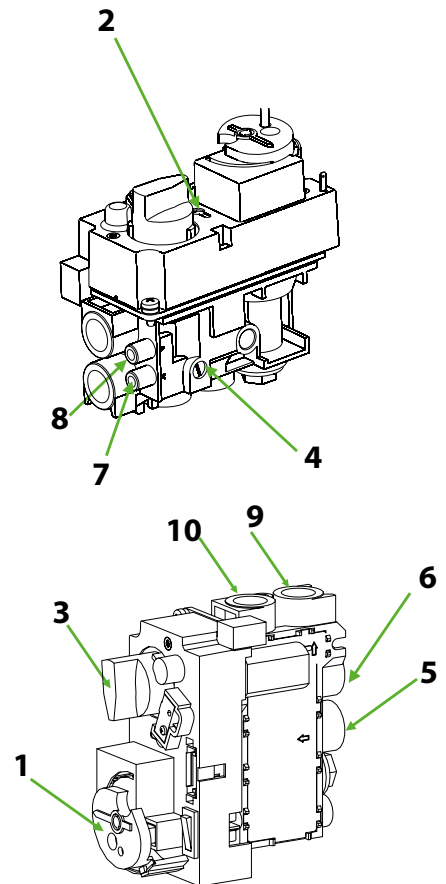
The manifold pressure is controlled by a regulator built into the gas control, and should be checked at the pressure test point.

**Note: To properly check gas pressure, both inlet and manifold pressures should be checked using the valve pressure ports on the valve.**

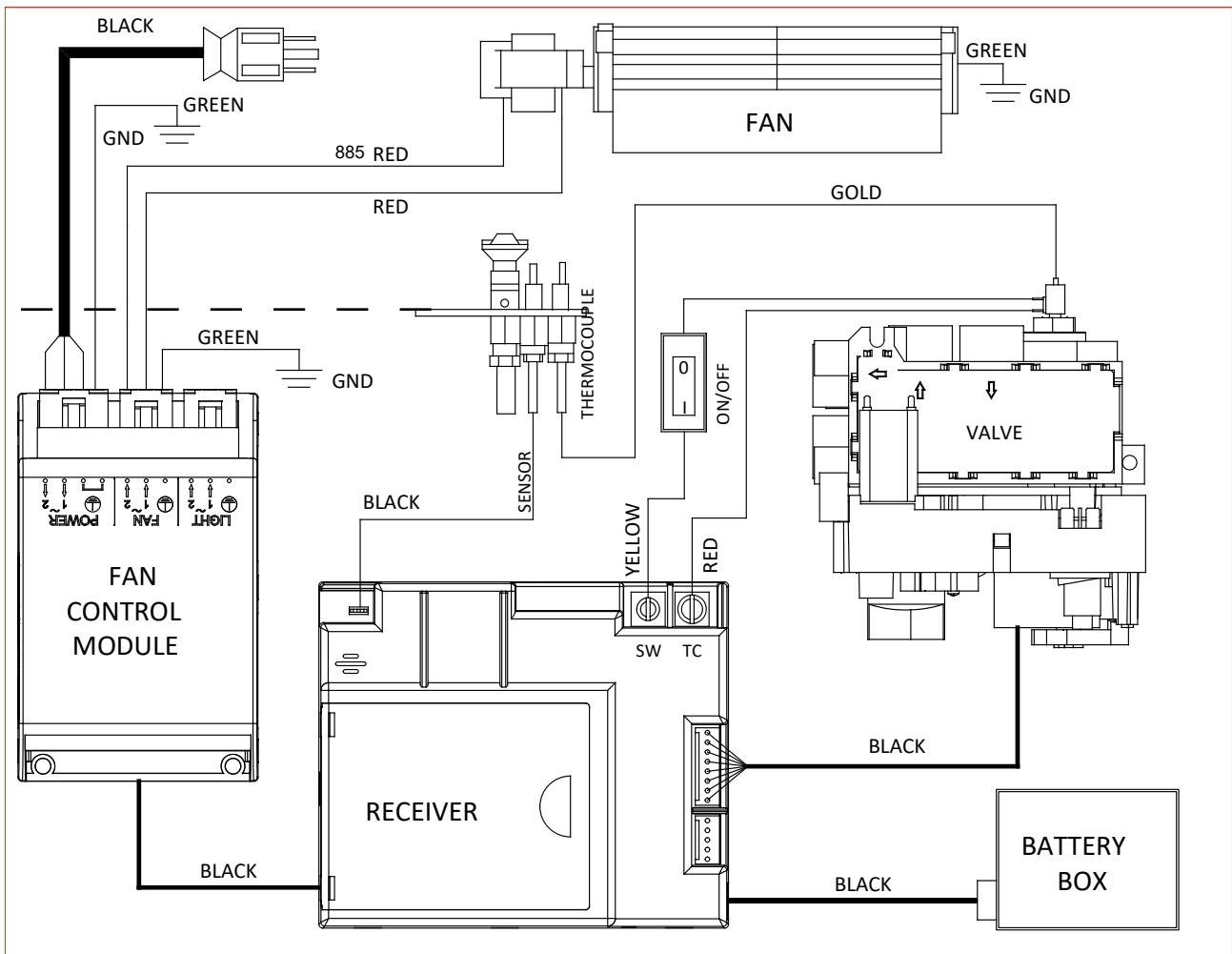
- 1) Make sure the valve is in the "OFF" position.
- 2) Loosen the "IN" and/or "OUT" pressure tap(s), turning counterclockwise with a 1/8" wide flat screwdriver.
- 3) Attach manometer to "IN" and/or "OUT" pressure tap(s) using a 5/16" ID hose.
- 4) Light the unit using the supplied hand held remote control. (See lighting procedure in this manual).
- 5) The pressure check should be carried out with the unit burning and the setting should be within the limits specified on the safety label.
- 6) When finished reading manometer, turn off the gas valve, disconnect the hose and tighten the screw (clockwise) with a 1/8" flat screwdriver. **Note: Screw should be snug, but do not over tighten.**

### GV60 MAXITROL VALVE DESCRIPTION

- 1) Manual Knob
- 2) Pressure regulator
- 3) Main Valve Knob
- 4) Minimum Rate Orifice
- 5) Bottom Inlet
- 6) Bottom Outlet
- 7) Outlet Pressure Tap
- 8) Inlet Pressure Tap
- 9) Side Inlet
- 10) Side Inlet



SYSTEM WITH FAN (LRI3E / HRI3E)



**CAUTION: Label all wires prior to disconnection when servicing controls. Wiring errors can cause improper and dangerous operation.**

**Caution: Ensure that the wires do not touch any hot surfaces and are away from sharp edges.**

If any of the original wire as supplied with the appliance must be replaced, it must be replaced with type CPE wire or its equivalent.



## CONVERSION FROM NG TO LP

LRI3E /HRI3E using GV60 Maxitrol Gas Valve

**THIS CONVERSION MUST BE DONE BY A QUALIFIED GAS FITTER  
IF IN DOUBT DO NOT DO THIS CONVERSION!**

**WARNING**

This conversion kit shall be installed by a qualified service agency in accordance with the manufacturer's instructions and all applicable codes and requirements of the authority having jurisdiction. If these instructions are not followed exactly, a fire, explosion or production of carbon monoxide may result causing property damage, personal injury or loss of life. The qualified service agency is responsible for the proper installation of this kit. The installation is not proper and complete until the operation of the converted appliance is checked as specified in the manufacturer's instructions supplied with the kit.

Conversion Kit includes:

1	904-575	Orifice #55
1	910-101	Pilot Orifice #35
1	918-590	Decal - Conversion to LP
1	905-003	Minimum rate screw
1	904-529	5/32" long Allen Key
1	908-528	Label Propane Red

**This conversion should be done before the unit is initially installed:**

**If installed already, the draft hood assembly will need to be removed so appliance may be slid out from the fireplace opening for ease of conversion. See manual for details**

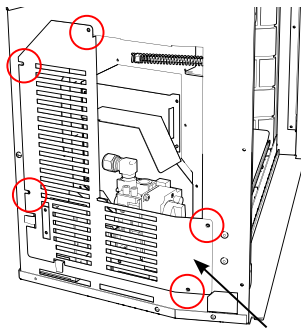
**Before you begin:**

**Shut off the gas supply to the unit.**

**Disconnect all electrical supply to the unit.**

**Always let the appliance cool to room temperature before servicing.**

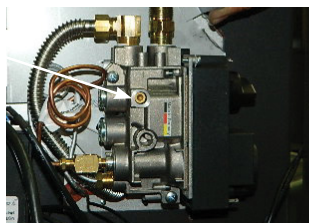
1. Remove faceplate, glass door, inner panels, glass crystals, media, logs (if already installed)—see instructions in the manual.
2. Slide unit out and remove 3 front screws and loosen 2 back screws to remove the left side control cover.



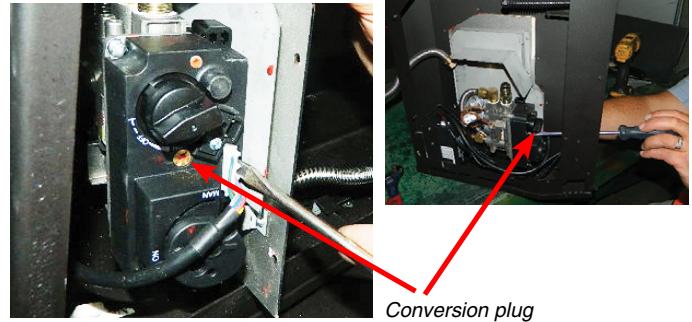
Side control cover

3. Remove minimum rate screw with 5/32" allen key (provided) and replace with minimum rate screw supplied with LP conversion kit. Do not overtighten—this screw can be easily damaged.

Minimum rate screw

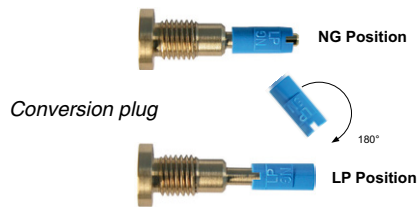


3. Remove conversion plug (located between the control knobs) with a long flat head screwdriver—access the plug from front of unit.



Conversion plug

4. Remove the blue plastic end on the conversion plug and flip 180° reinstall blue plastic end in LP position (slide blue plastic onto plug until a click is felt) and reinstall on to valve. Use care to hand tighten only to avoid damaging the conversion plug.



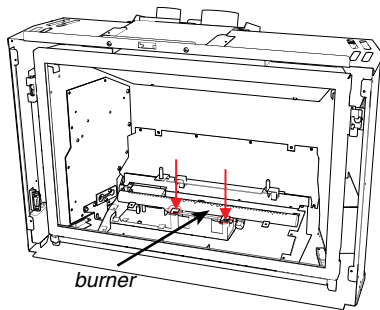
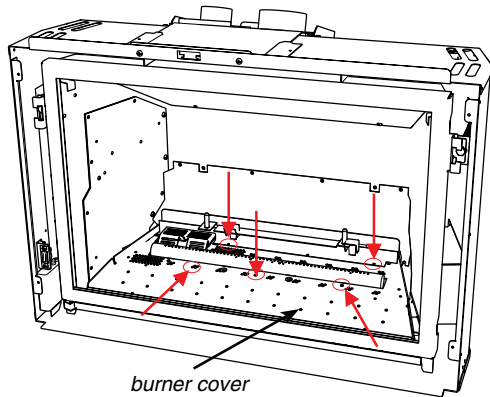
5. LRI3E- Remove the burner by removing 2 screws in locations shown below.



LRI3E

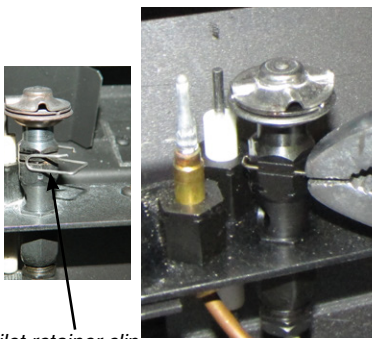
HRI3E- See next page.

HRI3E - Remove the burner by removing 5 screws in locations shown below to remove burner cover and 2 screws to remove burner (shown below).



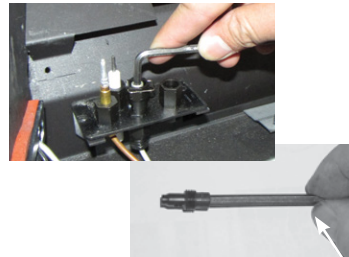
HRI3E

6. From inside the firebox, remove pilot retainer clip with pliers and pull off the pilot cap to expose the pilot orifice.



Pilot retainer clip

7. Replace the NG pilot orifice with the supplied LP pilot orifice using the supplied 5/32" allen key.



8. Remove burner orifice with a 1/2" wrench. Use another wrench to hold onto the elbow behind the orifice. Recycle orifice.



9. Reinstall new burner orifice LPG stamped #55 and tighten.

10. Attach the label "This unit has been converted to LPG" near or on top of the serial # decal.

11. Replace yellow "NG" label with red "LPG" label.

12. Adjust aerations settings - see Air Shutter Adjustment section in the manual.

13. Reinstall burner removed in Step 5.

14. Check for gas leaks.

15. Check inlet and outlet pressures. See Gas Pipe Pressure Testing in manual.

16. Reverse steps 2-1 to reassemble unit.

17. Check operation of flame control.

**Installer Notice:**  
**These instructions must be left with the appliance.**

## MEDIA INSTALLATION

Spread the Media evenly over the burner. Ensure installed media does not overlap excessively as this will affect the flame pattern.

### IMPORTANT NOTE:

Only the supplied approved Media is to be used with these fireplaces. Use of any other type of media can alter the unit's performance, any damage caused by the use of any unapproved media will not be covered under warranty.

When using Ceramic Spa/Volcanic Stones **DO NOT** cover burner ports or pilot light that leads to pilot flame.

### BURNER PACKAGES

Unit	Glass Crystals	Fire Beads	Stones - Spa / Ceramic / Volcanic Stones / Pebbles / Driftwood Logs
HRI3E	4 lbs	4 lbs	4 lbs Glass (burner) + 1 package (70 Spa Stones) 4 lbs Beads (burner) + 1 package (70 Spa Stones) 4 lbs Glass (burner) + 26 Volcanic Stones 4 lbs Beads (burner) + 26 Volcanic Stones 4 lbs Glass (burner) + 1 bags Pebbles
<b>NOTE:</b> Media is not supplied with the unit. Must purchase separately - see quantities above. Spa stone package contains 70 stones.			



Installing Glass Crystals

**DO NOT** block pilot area with glass crystals or other media  
Note: Crystals and rocks may be placed on top of the pilot



**Caution:** Do not cover pilot or burner ports with stones.



### HRI3E OPTIONAL LOG SET INSTALLATION

Read the instructions below carefully and refer to the images. If the logs are broken do not use the unit until they are replaced. Broken logs can interfere with pilot operation.

Improper positioning of the logs may create carbon build-up and can alter the unit's performance which is not covered under warranty.

\*For Touch Ups: Dark Brown paint is included.

1	Rear Centre Log
2	Left Angled Log
3	Right Angled Y-Shaped Log
4 a	Left Front Log Piece
4b	Right Front Log Piece
	Embers

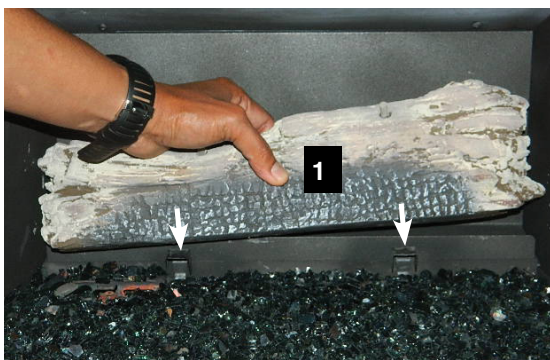
Ensure unit has cooled to room temperature and remove glass door.

1. Install 4lbs of glass crystals on the burner—see glass crystal install in the installation manual for details.
2. Install the two log support brackets—install each bracket measuring 4-1/2" from the side panel to the outside of the bracket.

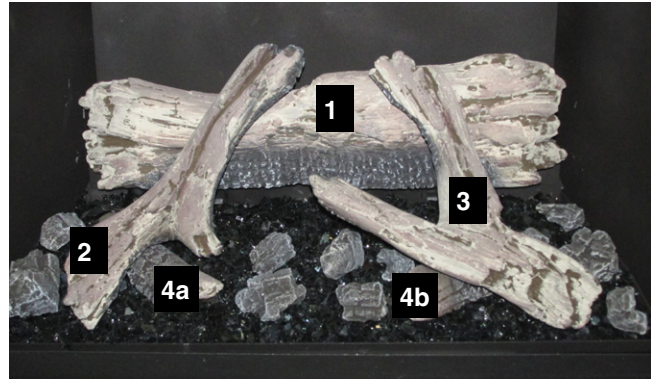


Log bracket install

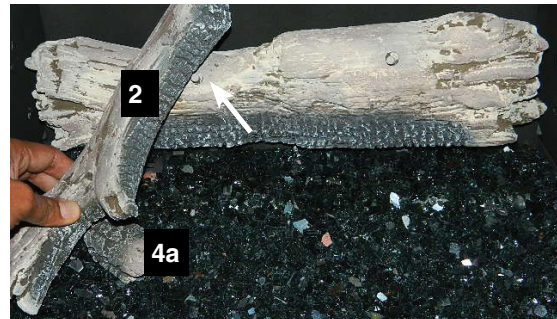
3. Install Log 1 at the back of the firebox—resting on the firebox and the brackets installed in the previous step.



Log 1 install



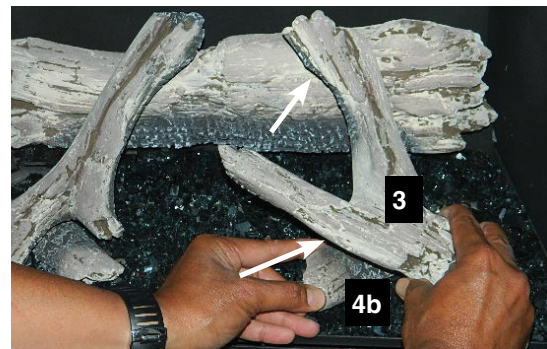
4. Install Log 4a—seat it on the glass crystals, burned end facing to the back corner of the firebox. Install Log 2 diagonally, it will rest in the indent of Log 1 and the small Y in Log 2 will rest on Log 4a as shown.



Log 2 and 4a install

5. Install Log 3, rest the back part of the "Y" in the indent of Log 1, the opposite end will rest on the glass crystals.

6. Tilt Log 3 up slight and place Log 4b halfway underneath Log 3, at the "Y" junction.



Log 3 and 4b install

7. Place the supplied embers on the glass crystals as shown.  
 Note: do not cover burner ports with embers. This will cause sooting on the logs.



*Ember install*

8. Test fire to ensure proper light off (make sure flame flows smoothly from one end of the burner to the other). If there is any flame hesitation, check that area for any blockage of the burner ports.



*Final install*



## LRI3E LOG SET INSTALLATION

Read the instructions below carefully and refer to the images. If the logs are broken do not use the unit until they are replaced. Broken logs can interfere with pilot operation.

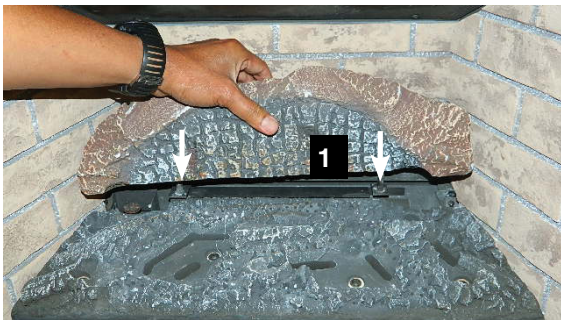
Improper positioning of the logs may create carbon build-up and can alter the unit's performance which is not covered under warranty.

\*For Touch Ups: Dark Brown paint is included.

1	Rear Centre Log
2	Left Angled Log
3	Right Angled Log
4	Left Front Log Piece
5	Right Front Log Piece
6	Centre Log
7	Centre Right Cross Log

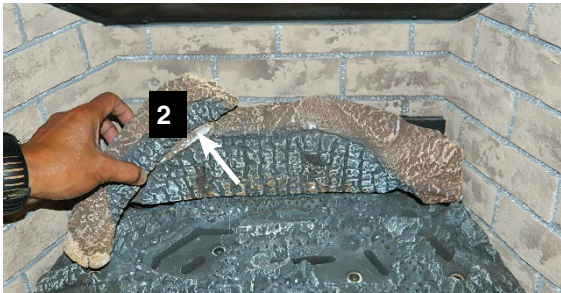
Ensure unit has cooled to room temperature and remove glass door.

1. Install Log 1 at the back of the burner. Line up pin locators on Log with pins on the burner and seat Log



Log 1 install

2. Install Log 2—Log 2 will rest diagonally in the indent on the left side of Log 1 the bottom end with rest in the indent of the burner as shown below.

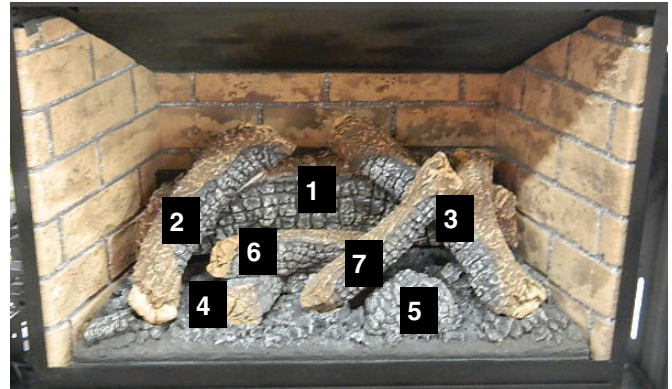


Log 2 install

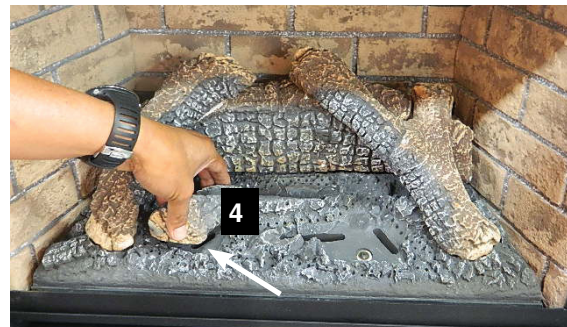
3. Install Log 3—Log 3 will rest diagonally in the indent on the right side of Log 1, the bottom end with rest in the indent of the burner as shown below.



Log 3 install



4. Install Log 4 on the left side in the indent of the burner as shown below.



5. Install Log 5 on the right side in the indent of the burner as shown below.



6. Install Log 6 in the indent of the burner as shown below.



*Log 6 install*

7. Install Log 7 on a diagonal, one end will rest in an indent in the burner and the other end will rest at the "Y" on Log 3.



*Log 7 install*

8. Test fire to ensure proper light off (make sure flame flows smoothly from one end of the burner to the other). If there is any flame hesitation, check that area for any blockage of the burner ports.



*Final install*

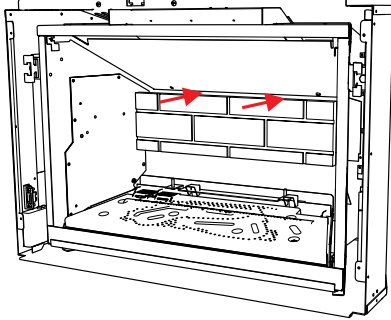


## BRICK PANEL INSTALLATION

**Important: This appliance cannot be operated without brick (LRI3E) or enamel panels (HRI3E/LRI3E) installed.**

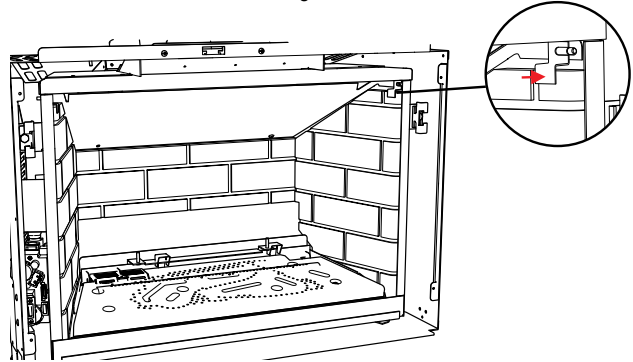
Brick panels are soft and fragile. Use caution when handling the panels, being careful not to jar them or scratch the painted surfaces.

1. Carefully unpack brick panels.
2. Install back brick panel - place against back wall of firebox, the side panels (once installed) will secure the back panel in position.



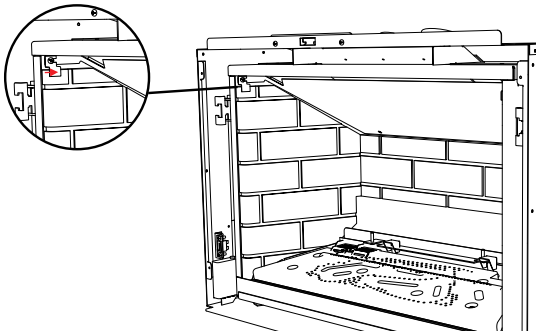
*Install back brick panel*

4. Loosen bracket screw in firebox in location shown below, slide right brick panel into position until it contacts the back panel. Slide the panel bracket on from the back of the unit and tighten the bracket screw.

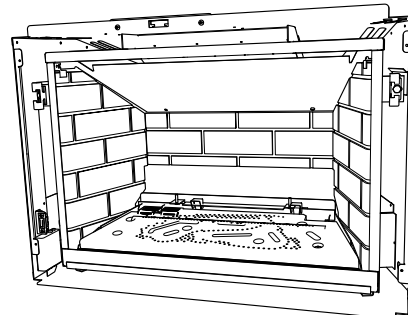


*Install right brick panel*

3. Loosen bracket screw in firebox in location shown below, slide left brick panel into position until it contacts the back panel. Slide the panel bracket on from the front of the unit and tighten the bracket screw.



*Install left brick panel*



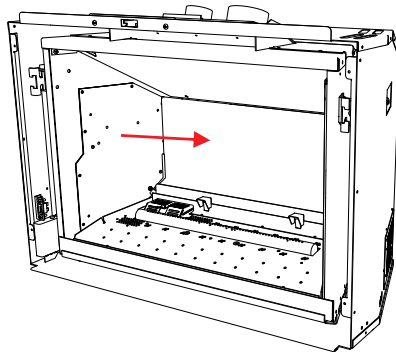
*Final install*

## PAINTED BLACK AND ENAMEL PANEL INSTALLATION

**Important:** This appliance cannot be operated without brick (LRI3E) or enamel panels (HRI3E/LRI3E) installed.

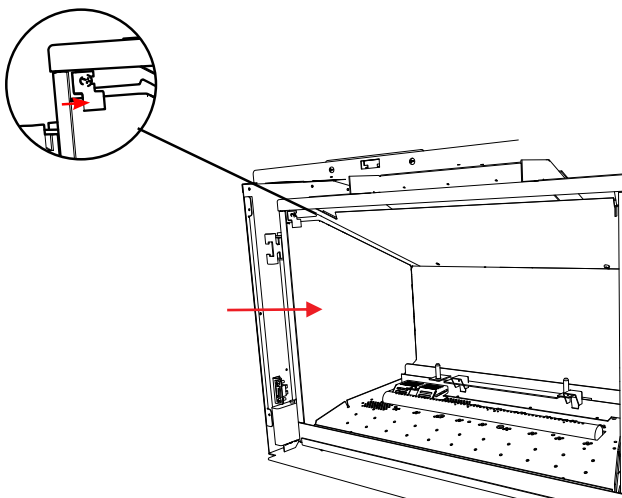
<b>Before you Start:</b>
<b>Black Enamel Panels Only</b>
<ul style="list-style-type: none"> <li>• Black Enamel panels must be inspected for scratches and dimples prior to installation. All claims to be recorded at this time. Claims for damage after installation will not receive consideration.</li> </ul>
<ul style="list-style-type: none"> <li>• Black Enamel panels will discolor a little during normal operation. This is normal and should not be considered a defect.</li> </ul>
<p>* All hand and finger marks <b>MUST</b> be cleaned off with a soft cloth. Use an ammonia based cleaner (ie. glass cleaner) to remove any fingerprints before applying heat to the unit.  <b>Failure to do this will result in burn stains on panels which you will be unable to remove.</b> Not protected by product warranty.</p>

1. Carefully unpack painted black or enamel panels.
2. Install back painted/enamel panel - place against back wall of firebox, the side panels (once installed) will secure the back panel in position.



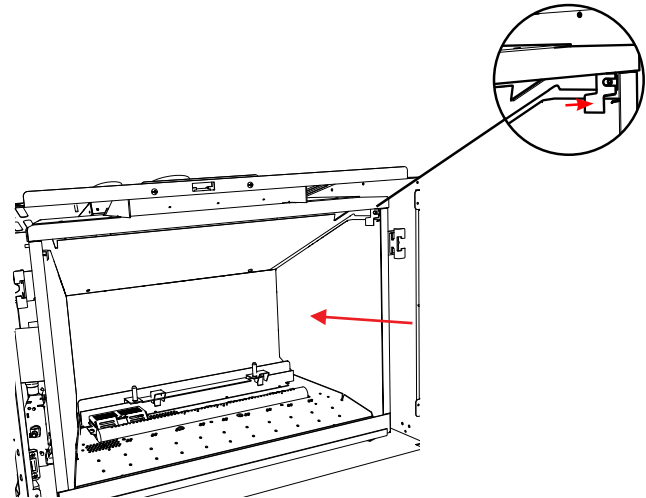
Back Panel

3. Loosen bracket screw in firebox in location shown below, slide left panel into position until it contacts the back panel. Slide the panel bracket on from the front of the unit and tighten the bracket screw.

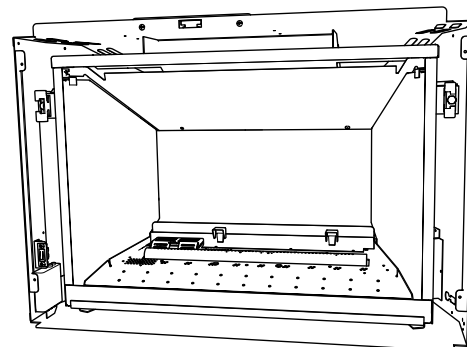


Left Panel

4. Loosen bracket screw in firebox in location shown below, slide right panel into position until it contacts the back panel. Slide the panel bracket on from the back of the unit and tighten the bracket screw.



Right Panel

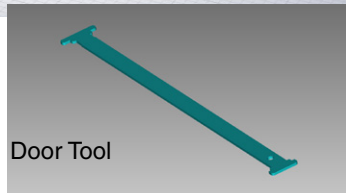
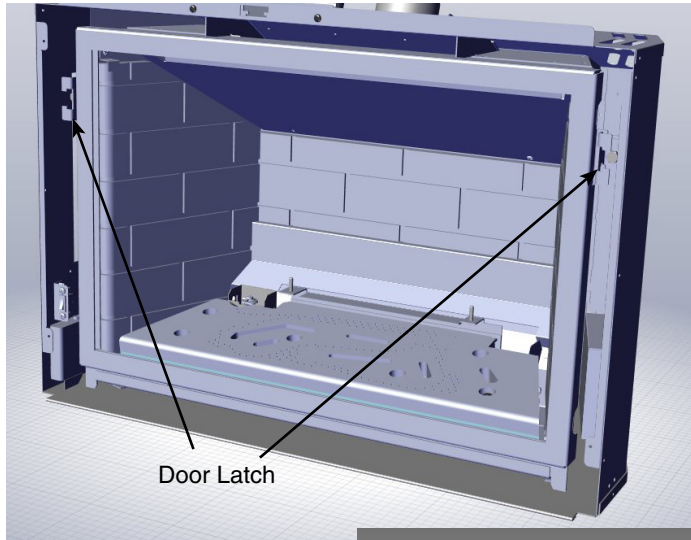


Completed Install

### GLASS DOOR REMOVAL / INSTALLATION

**WARNING: Do not operate the appliance with the glass panels removed, cracked or broken. Replacement of the glass panels should be done by a licensed or qualified service person.**

1. Insert the door tool into the side door latch.



2. Pull forward until the side door latch is disengaged from the door frame.

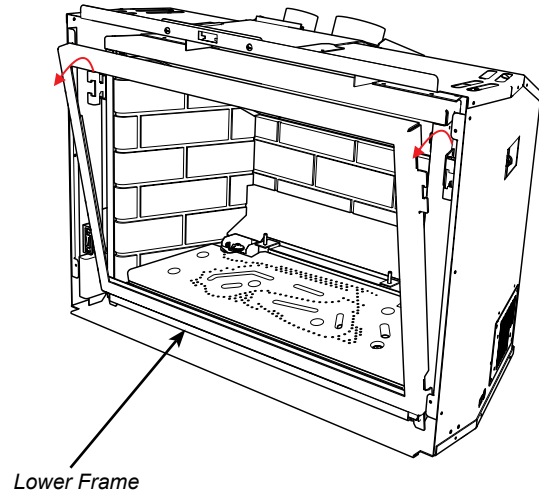
3. Push to the outside of the unit until the side door latch is below the door frame.



4. Release the side door latch until it reaches its resting point.

5. Support the top of door as it will fall forward after the 2nd door latch is released. The bottom of the door will be supported in the lower frame.

Note: Gently ease the glass back. Do not put any force on the glass assembly as this may cause damage to the lower frame and or glass frame assembly.

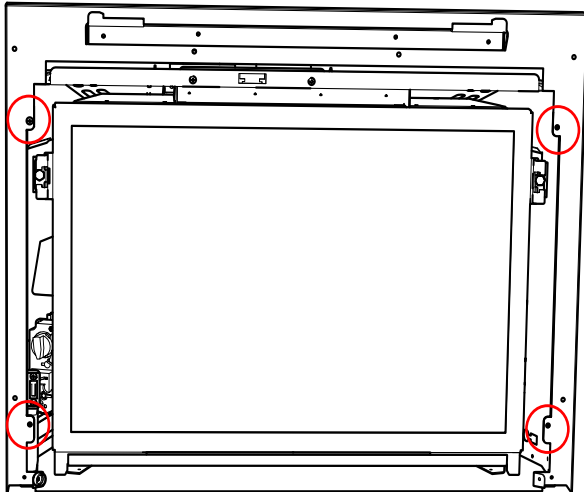


6. Remove the door tool and repeat steps 1-4 on the opposite door latch.

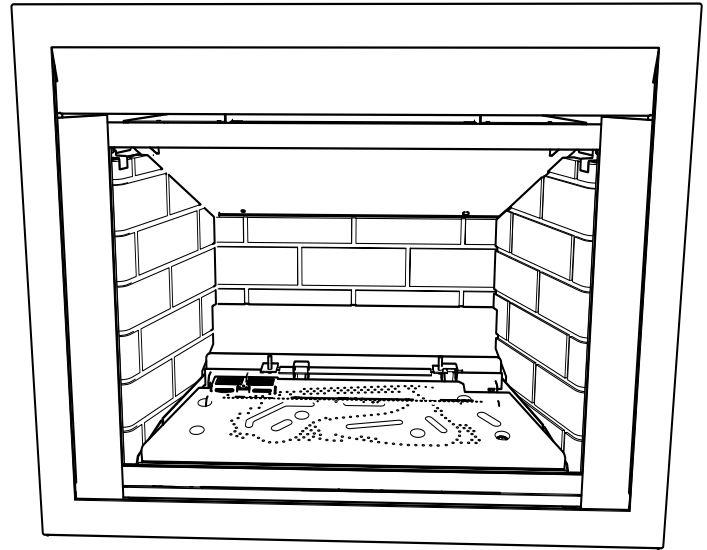
7. To install the glass door - reverse steps.

## VIGNETTE FACEPLATE WITH SAFETY SCREEN INSTALLATION

1. Install the back faceplate and secure with 4 screws as shown.

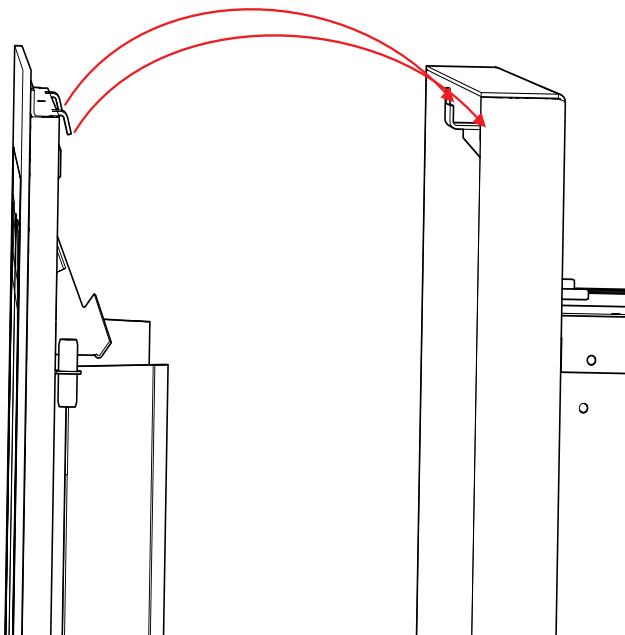


*Back Faceplate Install*



*Final Install*

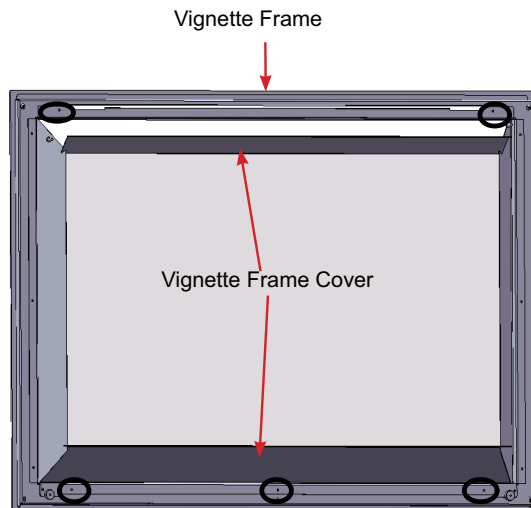
2. Install the outer (front) faceplate by hooking the flange over the hanger located on the back faceplate (installed in the previous step) as shown.



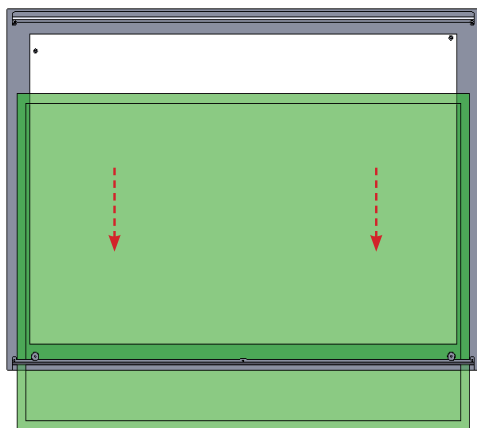
*Front Faceplate Install*

## INLAY INSTALLATION

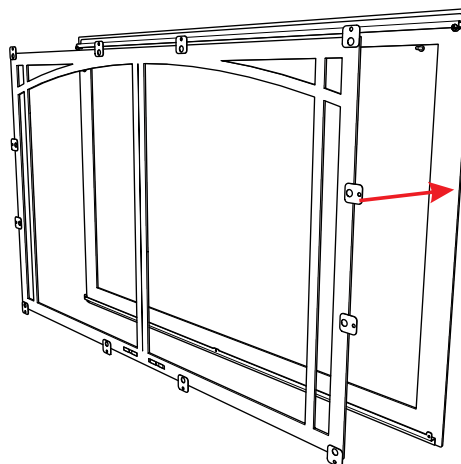
1. Remove 5 screws from the backside of the Vignette frame cover and keep them aside (3 at bottom and 2 at top).



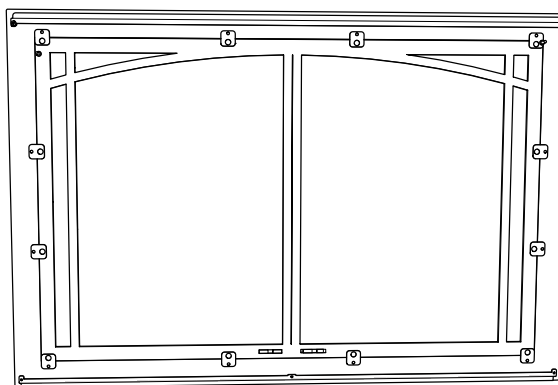
2. Take the mesh screen out of the Vignette front frame as shown below.



3. Place the Inlay on the Front Trim Assembly.

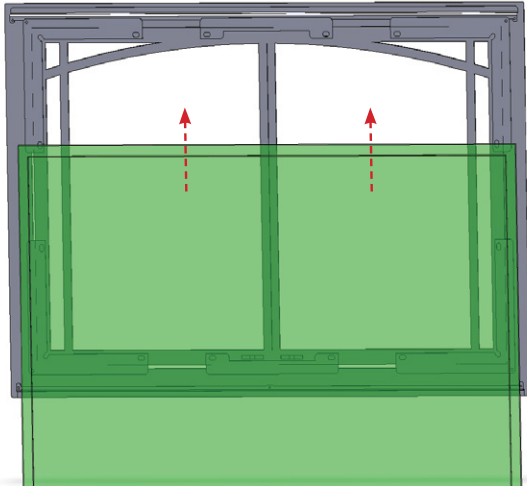


4. Center the inlay inside the Front Trim Assembly

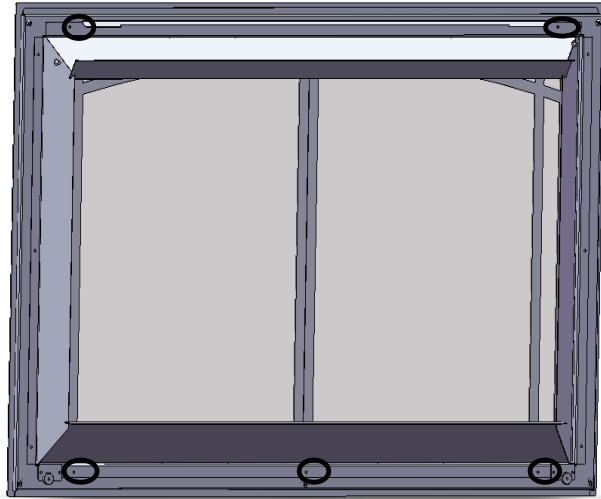


5. With the Inlay in position, place the mesh screen over the inlay.

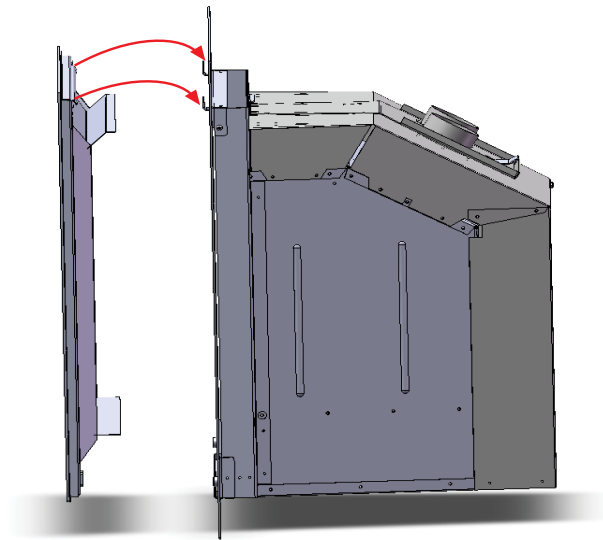
**NOTE:** The flush side of the mesh screen should face the inlay.



6. Reverse step1.



7. Install the Vignette frame with Inlay onto the 2 hooks provided on the unit.



## BACKING PLATE INSTALLATION

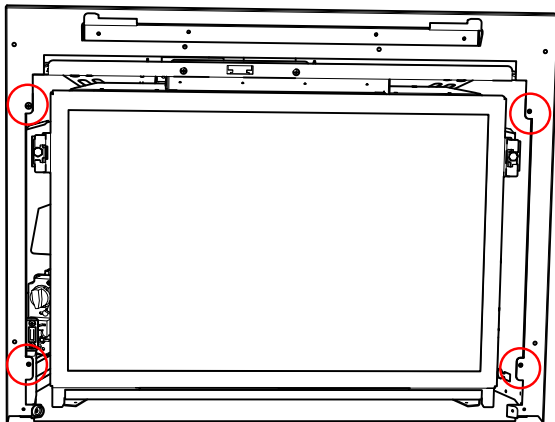
1. Remove Vignette (front) faceplate from unit and lay on a soft surface.



*Remove Front Faceplate*

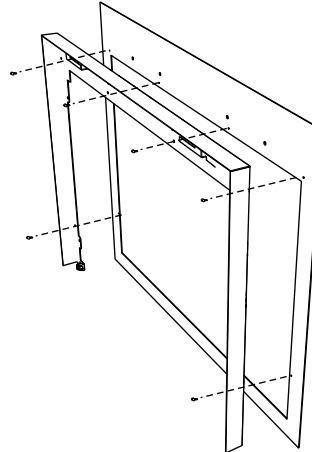
2. Remove the back faceplate by removing the 4 screws as shown.

**Note:** the two top and two bottom screws can be loosened - slide the back faceplate up on out to remove.



*Remove Back Faceplate*

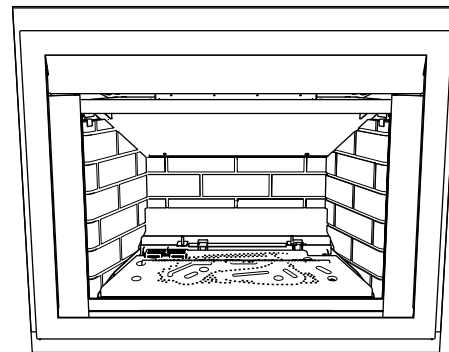
3. Attach the backing plate to the back faceplate from the front with 6 screws (4 along the top and 1 on each side).



*Backing Plate Install*

4. Reinstall the back faceplate with backing plate—reverse Step 2.

5. Reinstall the Vignette faceplate and safety screen to complete.



*Final Install-shown with 4 sided backing plate*



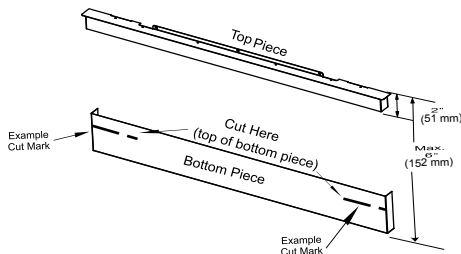
## OPTIONAL HEARTH TRIM INSTALLATION

### Customizing the Hearth Trim

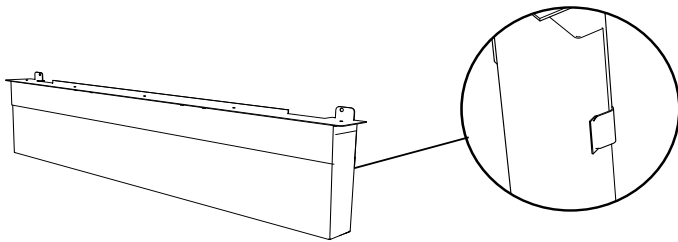
The Hearth Trim can be adjusted to custom fit an installation by pulling apart the top piece from the bottom piece. Minimum height of the hearth trim is 2" and can be adjusted up to maximum 6".

1. Cut the top of the bottom piece of the hearth trim to the appropriate height using a metal cutting blade.

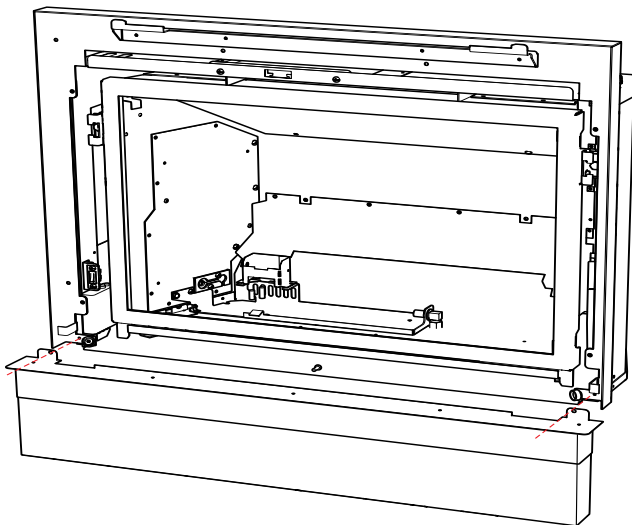
**NOTE:** The tab bends at the back of the top piece of the hearth trim should be used as the measuring point to the hearth to measure the height required.



2. Reattach the top piece of the hearth trim to the cut bottom piece by fitting in place and secure with supplied clips, one on each side.



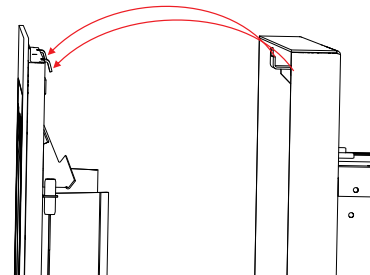
3. Ensuring back faceplate is in place - line up the hearth trim with base of the unit and secure it with 2 screws as shown below.



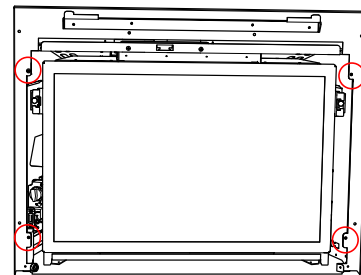
## OPTIONAL MANTEL DEFLECTOR INSTALLATION

A mantel deflector may be installed to reduce the minimum mantel height. Refer to the instruction manual for minimum mantel clearances.

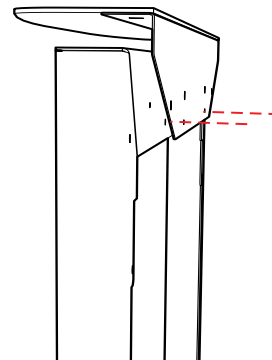
1. Remove the outer faceplate if already installed.



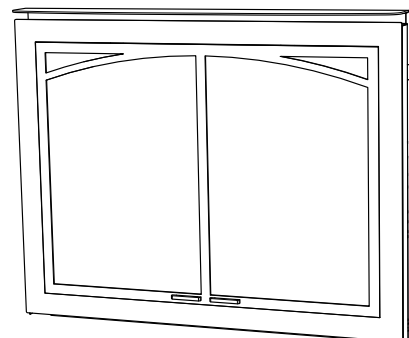
2. Remove back faceplate by removing 4 screws in locations shown below.



3. Install mantel deflector onto the back side of the back faceplate with 2 screws as shown below.



4. Reverse steps 2 & 1 to complete install.



## OPERATING INSTRUCTIONS

Before operating this appliance, proceed through the following check list.

- 1) Read and understand these Instructions before operating this appliance.
- 2) Check to see that all wiring is correct and enclosed to prevent possible shock.
- 3) Check to ensure there are no gas leaks.
- 4) Make sure the glass door is in place. Never operate the appliance with the door glass removed.
- 5) Verify that all venting and the cap is unobstructed.
- 6) Verify log /glass crystal placement. If the pilot cannot be seen when lighting the unit - the logs / crystals, or the embers have been incorrectly positioned.
- 7) The unit should never be turned off and on again without a minimum of a 60 second wait.
- 8) When lighting the appliance, the inside of the glass may fog up. This will burn off after a few minutes of operation.

**DO NOT BURN THE APPLIANCE WITH THE GLASS DOOR REMOVED.**

## FIRST FIRE

The first fire in your stove is part of the paint curing process. To ensure that the paint is properly cured, it is recommended that you burn your fireplace for at least four (4) hours the first time you use it with the fan on. When first operated, the unit will release an odour caused by the curing of the paint, the burning off of any oils remaining from manufacturing. Smoke detectors in the house may go off at this time. Open a few windows to ventilate the room for a couple of hours.

The glass panel may require cleaning after the unit has cooled down.

### **DO NOT ATTEMPT TO CLEAN THE GLASS WHILE IT IS HOT.**

**Note:** When the glass is cold and the appliance is lit, it may cause condensation and fog the glass. This condensation is normal and will disappear in a few minutes as the glass heats up.

### **DO NOT BURN THE APPLIANCE WITHOUT THE GLASS FRONT IN PLACE.**

During the first few fires, a white film may develop on the glass front as part of the curing process. The glass should be cleaned or the film will bake on and become very difficult to remove. Use a non-abrasive cleaner and NEVER clean the glass while it is hot.

---

## AUTOMATIC CONVECTION FAN OPERATION

The fan operates automatically to adjust to the desired speed. The fan will turn on as the stove comes up to operating temperature. After the unit has been turned off and the unit cooled to below a useful heat output range the fan will shut off automatically.

## LIGHTING PROCEDURE

1. Place ON/OFF switch located on appliance in (I) ON position
2. Simultaneously press the off and large flame buttons on the remote hand held until a short beep confirms the start sequence has begun. Release both buttons.
3. Continuing beeps confirm the ignition is in process.
4. Once pilot ignition is confirmed, main valve will open and flame will be present.

Note: Once ignition has been established and flame is present the remote control handset will automatically go into manual mode.

Important : The first attempt for ignition will last approximately 30 seconds. If there is no flame ignition, the appliance will stop beeping. To restart the ignition process repeat step 2 of the lighting procedure. If after 2 attempts the appliance does not light, wait 5 minutes and repeat steps for ignition

## SHUTDOWN PROCEDURE

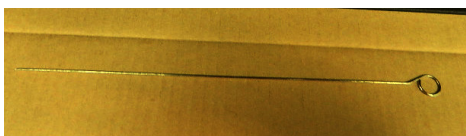
1. Press the OFF button on the remote to shut off the appliance.
2. Place ON/OFF switch located on appliance in (O) OFF position.
3. If service is to be performed—you must disconnect power and shut off gas to the unit.

### Coding instructions.

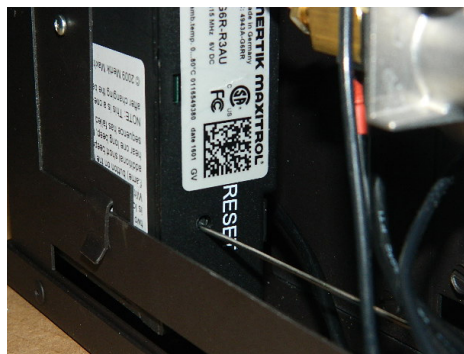
Important : The remote control/Receiver for this appliance comes pre-coded for your convenience and does not require to be recoded after changing batteries in the hand held. As long as there is 120 volt power to the appliance and a 9 volt battery in the remote handset this will operate as normal. If the remote for some reason ever required to be re-coded as a result of losing its learning code, follow these instructions below:

1. Press and hold the receiver's reset button until you hear two (2) beeps. The first beep is short. To gain access to the receiver reset button you will need to use the tool provided. A flashlight may be required to visually see the reset button.
2. Within the subsequent 20 seconds of pressing and holding the reset button, press the small flame icon button on the handset until you hear two additional short beeps confirming the code is set. If you hear one long beep. This indicates the code learning sequence has failed or the wiring is incorrect. A 9 volt battery is required in the hand held when coding the remote hand held.

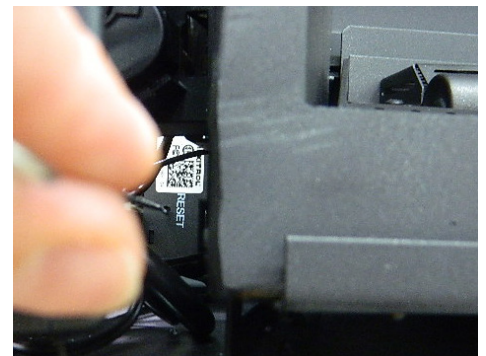
The receiver requires a tool for reset. The tool is located underneath the glass door. Remove the Vignette (front faceplate) to access this tool (see instructions in this manual).



*Reset tool*



*Reset receiver*



*Reset button location*

## NORMAL OPERATING SOUNDS OF GAS APPLIANCES

It is possible that you will hear some sounds from your gas appliance. This is perfectly normal due to the fact that there are various gauges and types of steel used within your appliance. Listed below are some examples. All are **normal operating sounds** and should not be considered as defects in your appliance.

### Blower:

Regency gas appliances use high tech blowers to push heated air farther into the room. It is not unusual for the fan to make a "whirring" sound when ON. This sound will increase or decrease in volume depending on the speed setting of your fan speed control.

### Burner Tray:

The burner tray is positioned directly under the burner tube(s) and logs and is made of a different gauge material from the rest of the firebox and body. Therefore, the varying thicknesses of steel will expand and contract at slightly different rates which can cause "ticking" and "cracking" sounds. You should also be aware that as there are temperature changes within the unit these sounds will likely re-occur. Again, this is normal for steel fireboxes.

### Pilot Flame:

While the pilot flame is on it can make a very slight "whisper" sound.

### Gas Control Valve:

As the gas control valve turns ON and OFF, a dull clicking sound may be audible, this is normal operation of a gas regulator or valve.

### Unit Body/Firebox:

Different types and thicknesses of steel will expand and contract at different rates resulting in some "cracking" and "ticking" sounds will be heard throughout the cycling process.

## COPY OF LIGHTING INSTRUCTION PLATE

### FOR YOUR SAFETY READ BEFORE LIGHTING

This appliance must be installed in accordance with local codes, if any; if none, follow the National Fuel Gas Code, ANSI Z223.1/NFPA 54, or Natural Gas and Propane Installation Codes, CSA B149.1.

**WARNING: If you do not follow these instructions exactly, a fire or explosion may result causing property damage, personal injury or loss of life. Improper installation, adjustment, alteration, service or maintenance can cause injury or property damage. Refer to the owner's information manual provided with this appliance. For assistance or additional information consult a qualified installer, service agency or gas supplier.**

**AVERTISSEMENT. Quiconque ne respecte pas à la lettre les instructions dans la présente notice risque de déclencher un incendie ou une explosion entraînant des dommages, des blessures ou la mort.**

**Une installation, un ajustement, une modification, un service ou un entretien inadéquat peut provoquer des blessures ou des dommages matériels. Reportez-vous au manuel du propriétaire de l'information fournie avec cet appareil. Pour obtenir de l'aide ou des informations supplémentaires consulter un installateur qualifié, une agence de service ou fournisseur de gaz.**

A) This appliance is equipped with an ignition device which automatically lights the pilot. Do not try to light the pilot by hand.

B) **BEFORE OPERATING** smell all around the appliance area for gas. Be sure to smell next to the floor because some gas is heavier than air and will settle on the floor.

#### WHAT TO DO IF YOU SMELL GAS

- Do not try to light any appliance.
  - Do not touch any electric switch, do not use any phone in your building.
  - Immediately call your gas supplier from a neighbour's phone. Follow the gas supplier's instructions.
  - If you cannot reach your gas supplier, call the fire department.
- C) Do not use this appliance if any part has been under water. Immediately call a qualified service technician to inspect the appliance and replace any part of the control system and any gas control which has been underwater.

A) Cet appareil est muni d'un dispositif d'allumage qui allume automatiquement la veilleuse. Ne tentez pas d'allumer la veilleuse manuellement.

B) **AVANT LA MISE EN MARCHÉ**, reniflez tout autour de l'appareil pour déceler une odeur de gaz. Reniflez au niveau du plancher, car certains gaz sont plus lourds que l'air et peuvent s'accumuler au niveau du sol.

#### QUE FAIRE SI VOUS SENTEZ UNE ODEUR DE GAZ :

- Ne tentez pas d'allumer l'appareil
- Ne touchez à aucun interrupteur; n'utilisez pas de téléphones se trouvant dans le bâtiment.
- Appelez immédiatement votre fournisseur de gaz depuis un téléphone extérieur. Suivez les instructions du fournisseur.
- Si vous ne pouvez pas rejoindre le fournisseur, appelez le service incendie.

C) N'utilisez pas cet appareil s'il a été plongé dans l'eau, même partiellement. Faites inspecter l'appareil par un technicien qualifié et remplacez toute partie du système de contrôle et toute commande qui ont été plongés dans l'eau.

**CAUTION: Hot while in operation. Do not touch. Severe Burns may result. Due to high surface temperatures keep children, clothing and furniture, gasoline and other liquids having flammable vapors away. Keep burner and control compartment clean. See installation and operating instructions accompanying appliance.**

### LIGHTING INSTRUCTIONS

1. Place ON/OFF switch located on appliance in (I) ON position
2. Simultaneously press the off and large flame buttons on the remote hand held until a short beep confirms the start sequence has begun. Release both buttons.
3. Continuing beeps confirm the ignition is in process.
4. Once pilot ignition is confirmed, main valve will open and flame will be present.

Note: Once ignition has been established and flame is present the remote control handset will automatically go into manual mode.

Important: The first attempt for ignition will last approximately 30 seconds. If there is no flame ignition, the appliance will stop beeping. To restart the ignition process repeat step 2 of the lighting procedure. If after 2 attempts the appliance does not light, wait 5 minutes and repeat steps for ignition.

1. Mettre l'interrupteur Marche/Arrêt situé sur l'appareil sur ON (I).
2. Appuyer simultanément sur la touche off et la touche avec la grande flamme sur la télécommande jusqu'à ce qu'un signal sonore confirme que le démarrage est en route. Relâcher les 2 touches.
3. Des signaux sonores continus confirment que l'allumage est en cours.
4. Une fois que l'allumage de la veilleuse est confirmé, la valve principale s'ouvre et une flamme apparaîtra.

Remarque : Une fois l'appareil et la flamme allumés, la télécommande se mettra automatiquement en mode manuel.

Important : Au premier allumage, le système tente d'allumer les flammes pendant environ 30 secondes. Si la flamme ne s'allume pas, le système s'arrêtera d'émettre des signaux sonores. Pour recommencer la procédure d'allumage, répéter l'étape 2 de la procédure d'allumage.

Si après 2 essais, l'appareil ne s'allume toujours pas, attendre 5 minutes et répéter les étapes pour l'allumage.

### TO TURN OFF GAS APPLIANCE

1. Press the OFF button on the remote to shut off the appliance.
2. Place ON/OFF switch located on appliance in (O) OFF position.
3. If service is to be performed—you must disconnect power and shut off gas to the unit.

1. Appuyer sur la touche OFF de la télécommande pour éteindre l'appareil.
2. Mettre l'interrupteur Marche/Arrêt situé sur l'appareil sur OFF (O).
3. Lors de l'entretien de l'appareil—débrancher l'alimentation électrique et couper le gaz de l'appareil.

**DO NOT REMOVE THIS INSTRUCTION PLATE**

919-708

## MAINTENANCE INSTRUCTIONS

- 1) Always turn the gas valve to off before cleaning. For relighting, refer to lighting instructions. Keep the burner and control compartment clean by brushing and vacuuming at least once a year. When cleaning the logs, use a clean soft paint brush as the logs are fragile and easily damaged.
  - 2) Clean (never when unit is hot) appliance with a damp cloth. Never use an abrasive cleaner. The heater is finished in a heat resistant paint and should only be refinished with heat resistant paint (not with wall paint). Regency uses StoveBrite Paint - Metallic Black #6309.
  - 3) Make a periodic check of burner for proper position and condition. Visually check the flame of the burner periodically, making sure the flames are steady; not lifting or floating. If there is a problem, call a qualified service person.
  - 4) The appliance and venting system must be inspected before use, and at least annually, by a qualified field service person, to ensure that the flow of combustion and ventilation air is not obstructed.  
During the annual service call, the burners should be removed from the burner tray and cleaned. Replace the embers but do not block the pilot.
  - 5) Keep the area near the appliance clear and free from combustible materials, gasoline and other flammable vapours and liquids
  - 6) Each time the appliance is lit, it may cause condensation and fog the glass. This condensation and fog is normal and will disappear in a few minutes as the glass heats up.
- Never operate the appliance without the glass properly secured in place or with the door open.**
- 7) Do not use this appliance if any part has been under water. Immediately call a qualified service technician to inspect the appliance and to replace any part of the control system and any gas control which has been under water.
  - 8) Periodically check the pilot flames. Correct flame pattern has two strong blue flames: 1 flowing around the flame sensor, and 1 flowing across the burner (it does not have to be touching the burner).
  - 9) Proper reassembly and resealing of the vent air intake system must be completed when servicing the appliance. See flue/vent installation instructions in this manual on proper procedure to remove, seal and reattach the vent system. Never leave the vent system detached from the appliance.

**WARNING: CHILDREN AND ADULTS SHOULD BE ALERTED TO THE HAZARDS OF HIGH SURFACE TEMPERATURE AND SHOULD STAY AWAY TO AVOID BURNS OR CLOTHING IGNITION. YOUNG CHILDREN SHOULD BE CAREFULLY SUPERVISED WHEN THEY ARE IN THE SAME ROOM AS THE APPLIANCE.**

**CAUTION: ANY SAFETY SCREEN OR GUARD REMOVED FOR SERVICING AN APPLIANCE MUST BE REPLACED PRIOR TO OPERATING THE APPLIANCE.**

**CLOTHING OR OTHER FLAMMABLE MATERIAL SHOULD NOT BE PLACED ON OR NEAR THE APPLIANCE.**

## DOOR GLASS

Your Regency insert is supplied with high temperature, Neoceram ceramic glass that will withstand the highest heat that your unit will produce. If your glass requires cleaning, we recommend using an approved glass cleaner available at all authorized dealers. Do not use abrasive materials. Do not clean the glass when hot.

In the event that you break your glass by impact, purchase your replacement from an authorized Regency dealer only, and follow our step-by-step instructions for replacement.

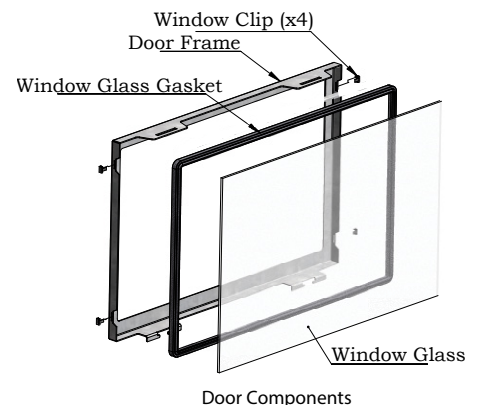
**Warning: Do not operate appliance with glass panels removed, cracked or broken. Replacement of the glass should be done by a licensed or qualified service person.**

### CAUTION & WARNINGS:

- \* Do not clean when the glass is hot.
- \* The use of substitute glass will void all product warranties.
- \* Care must be taken to avoid breakage of the glass.
- \* Do not strike or abuse the glass.
- \* Do not operate this fireplace without the glass front or with a cracked or broken glass front.
- \* Wear gloves when removing damaged or broken glass.
- \* Replacement of the glass panel(s) should be done by a licensed or qualified service person.

### GLASS REPLACEMENT

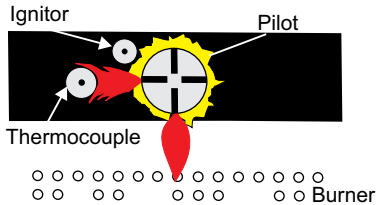
In the event that you break your glass by impact, purchase your replacement from an authorized Regency® dealer only. Replacement Neoceram glass (Part # 940-454/P) is shipped with a gasket.





## PILOT ADJUSTMENT

Periodically check the pilot flames. Correct flame pattern has two strong blue flames: 1 flowing around the flame sensor and 1 flowing across the burner (it does not have to be touching the burner).



**Note:** If you have an incorrect flame pattern, contact your Regency® dealer for further instructions.

Incorrect flame pattern will have small, probably yellow flames, not coming into proper contact with the rear burner or flame sensor.

## GENERAL VENT MAINTENANCE

Conduct an inspection of the venting system semi-annually. Recommended areas to inspect as follows:

- 1) Check the Venting System for corrosion in areas that are exposed to the elements. These will appear as rust spots or streaks, and in extreme cases, holes. These components should be replaced immediately.
- 2) Remove the Termination Cap, and shine a flashlight down the Vent. Remove any bird nests, or other foreign material.
- 3) Check for evidences of excessive condensation, such as water droplets forming in the inner liner, and subsequently dripping out the joints. Continuous condensation can cause corrosion of caps, pipe, and fittings. It may be caused by having excessive lateral runs, too many elbows, and exterior portions of the system being exposed to cold weather.
- 4) Inspect joints, to verify that no pipe sections or fittings have been disturbed, and consequently loosened. Also check mechanical supports such as Wall Straps, or plumbers' tape for rigidity.

## LOG REPLACEMENT

The unit should never be used with broken logs. Turn off the gas valve and allow the unit to cool before opening door to carefully remove the logs. The pilot light generates enough heat to burn someone. If for any reason a log should need replacement, you must use the proper replacement log. The position of these logs must be as shown in the diagram under Log Installation.

**NOTE:** Improper positioning of logs may create carbon build-up and will alter the unit's performance which is not covered under warranty.

## GLASS GASKET

If the glass gasket requires replacement use glass gasket for the Flush Front (Part # 936-112).

## BACKUP BATTERY PACK

There is a back up battery pack located on the left side of the unit, used in case of a power outage.

1. Remove battery pack from left side of unit (attached with velcro).



2. Slide back battery cover.



3. Install 4-AA battery.



4. Reinstall battery pack on to unit.



## FAN REPLACEMENT - WITH REMOTE CONTROL

**Note:** To access the side and rear access panels both the gas and venting will need to be disconnected (see vent/flue installation in this manual) for proper removal. There is no access to the blower from the front of this appliance.

**Before you begin:**  
**Shut off the gas supply to the unit.**  
**Disconnect all electrical supply to the unit.**  
**Always let the appliance cool to room temperature before servicing.**

1. Remove 5 screws and loosen 2 screws along the bottom to remove fan access panel -see Diagram 1.

□ = Remove  
 ○ = Loosen

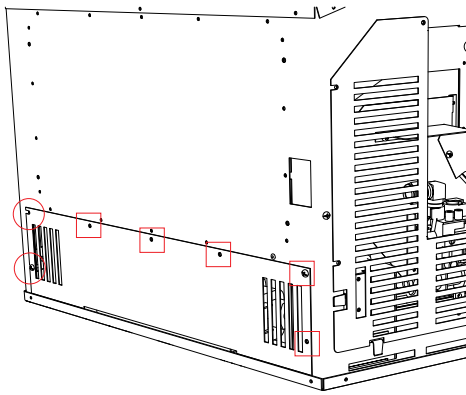


Diagram 1

2. Disconnect the fan wire harness through the rear panel. Disconnect 2 x 1/4" spade connectors to the fan terminals. Disconnect the ground lug to the fan using the screw provided.

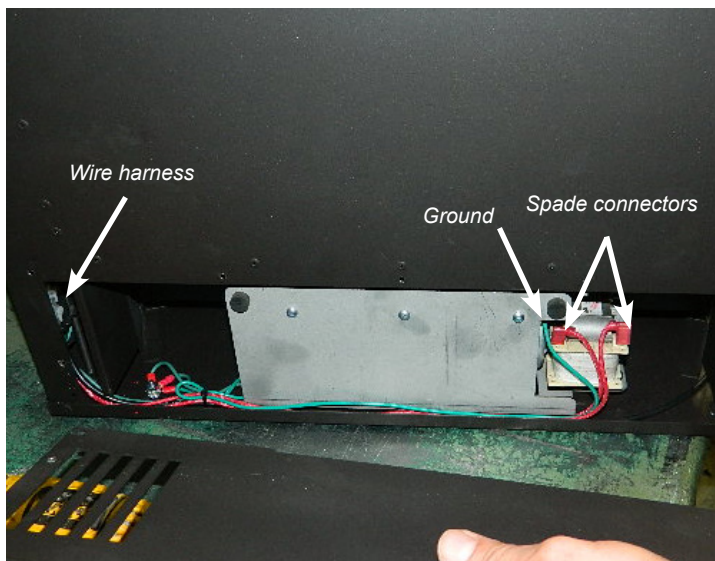


Diagram 2

3. Remove fan from unit by lifting up off pins.
4. To reinstall - reverse steps.

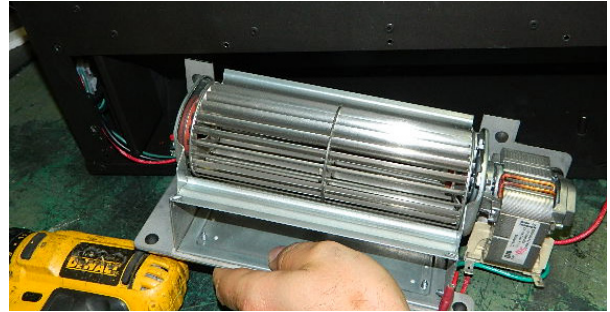


Diagram 3

## FAN CONTROL MODULE REPLACEMENT

**Note:** To access the right side cover for the fan control module both the gas and venting may need to be disconnected (see vent/flue installation in this manual) for proper removal.

**Before you begin:**  
 Shut off the gas supply to the unit.  
 Disconnect all electrical supply to the unit.  
 Always let the appliance cool to room temperature before servicing.

1. To access the fan control module (FCM) remove 4 screws to remove access panel as shown below.

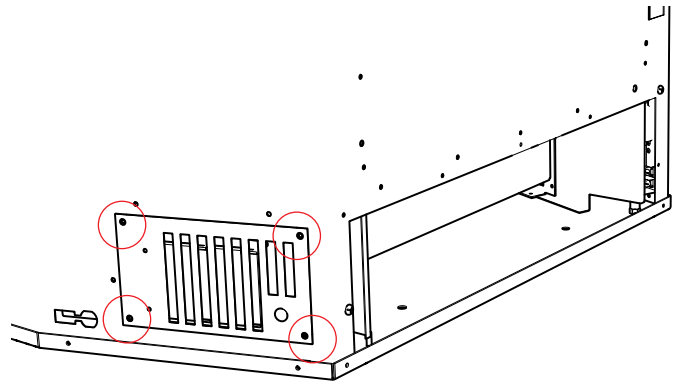


Diagram 4

2. To reinstall - reverse steps.

**WARNING**

**Electrical Grounding Instructions**

This appliance is equipped with a three-prong (grounding) plug for your protection against shock hazard and should be plugged directly into a properly grounded three-prong receptacle. Do not cut or remove the grounding prong from this plug.

**VALVE REPLACEMENT**

**Before you begin:**

\* Shut off the gas supply to the unit.  
Disconnect all electrical supply to the unit.

Always let the appliance cool to room temperature before servicing.

**Note:** To access the left control panel cover, the venting will need to be disconnected (see vent/flue installation in this manual) for proper removal.

1. Remove the Faceplate, glass door and inner panels - see instructions in this manual.
2. Remove the Left Control Panel Cover.

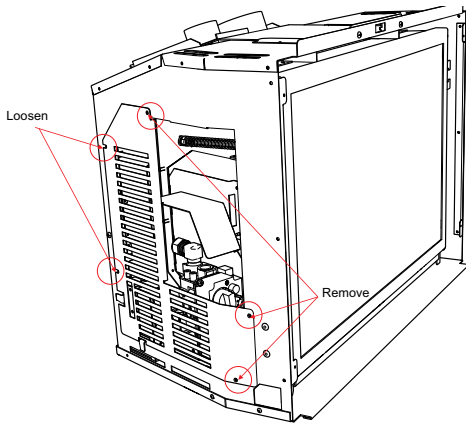


Diagram 1

3. Disconnect gas line from valve.
4. Disconnect the flame electrode wire from the remote receiver box. Slide remote receiver box out to access the wire.

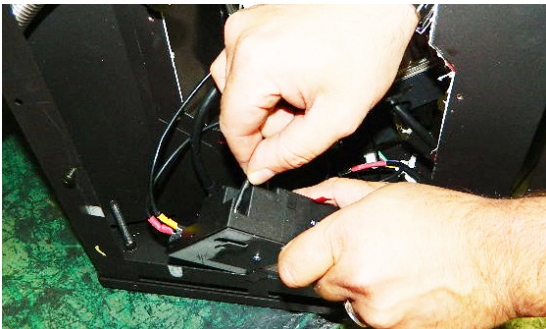


Diagram 2

5. Disconnect the wiring harness from the front of the valve—use a flat head screw driver to pry the tab loose to remove.

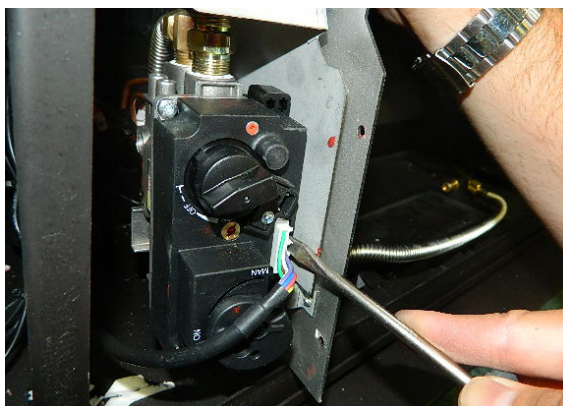


Diagram 3

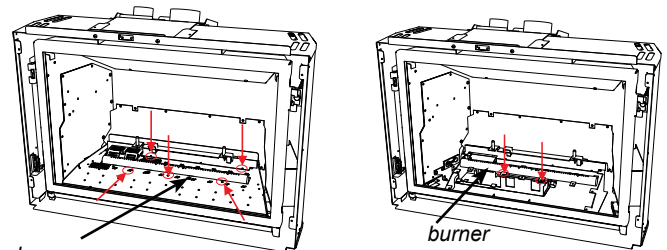
6. Remove the burner.

LRI3E- Remove the burner by removing 2 screws in locations shown below.



LRI3E Diagram 4

HRI3E - Remove the burner by removing 5 screws in locations shown below to remove burner cover and 2 screws to remove burner (shown below).



HRI3E Diagram 5

7. Remove the burner support by removing 3 screws as shown below.

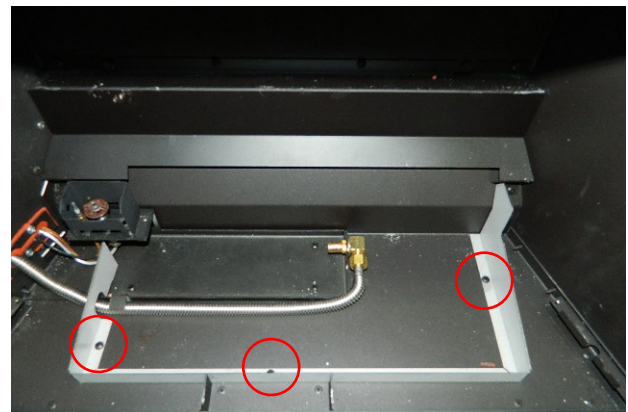


Diagram 6

8. Remove the back deflector by removing 4 top screws and loosening 2 bottom screws.

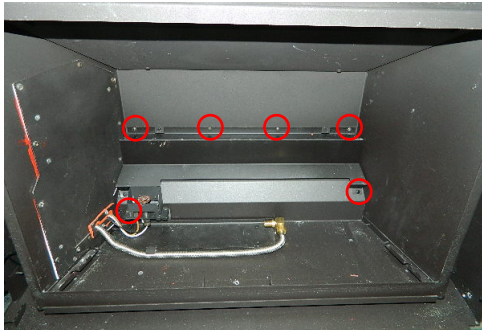


Diagram 7

9. Remove the valve access plate by removing 11 screws on the side panel and 3 on the bottom as shown below.

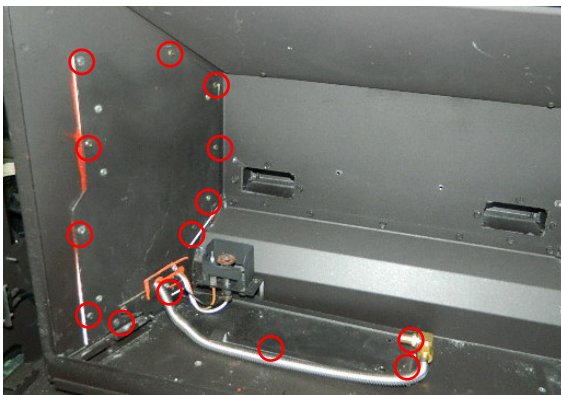


Diagram 8

10. Lift out panel (part of valve assembly) with valve and pilot assembly.

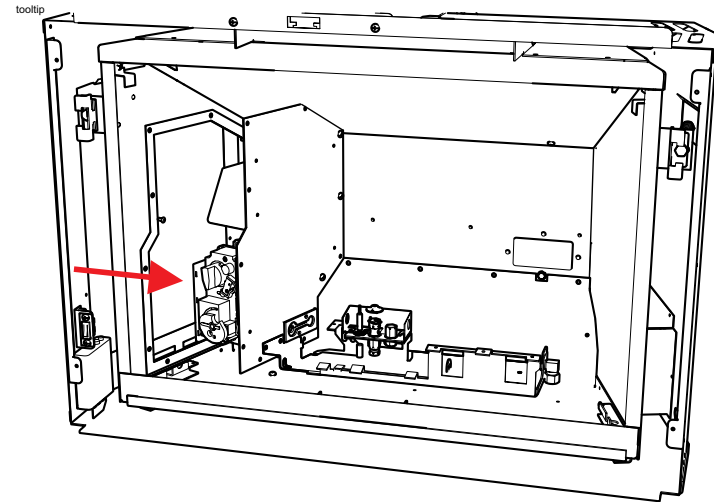


Diagram 9

11. Replace with new valve assembly, ensuring to use a new gasket before securing new valve access plate to unit.

12. Reassemble unit by reversing Steps 8-1.

13. Reconnect the gas and electrical supply to the unit. Once the unit has been refired, use a soapy water mixture to check all fitting and gas supply lines for gas leaks.



## LRI3E PARTS LIST

#	Part #	Description
1	716-574/P	Valve Assembly - NG
	716-576/P	Valve Assembly - LP
2	911-194	Maxitrol Gas Valve Only - NG
	911-217	Maxitrol Gas Valve Only - LP
3	911-218	Pilot Assembly NG 3 Flame
	911-219	Pilot Assembly LP 3 Flame
4	910-100	Pilot Orifice NG #62 977.166
	910-101	Pilot Orifice LP #35 977.168
4a	910-096	3 Way pilot Hood
4b	911-137	Pilot Hood clip
5	911-038	Spark Electrode Cable Black 0.915.020
6	910-386	Thermocouple
7	466-081	Pilot Shield
8	911-199	Fan Module Variable Voltage
9	716-063	Fan Module Mounting Bracket
10	911-203	Maxitrol Remote Receiver
11	911-206	Battery Box With 90 degree Receiver Cable
12	911-211	On/Off Switch With 500 mm Cable
13	716-011	Firebox Baffle
14	716-017	Rear Inner Air Deflector
15	716-539	Rear Log Tray Assembly
16	716-079F	Plate - Fan Access
17	716-515	Flue Adaptor Assembly
18	716-076	Flue Adaptor Gasket
19	911-207/P	Fan Motor Only Including Squirrel Cage
20	716-530	Ceramic Burner Assembly NG/LP
21	716-012	Door Frame Only - No Glass
22	940-454/P	Replacement Glass - Include Gasket (Size:24 1/8 " W. X 15 11/16" H.)
24	716-058	Left Side Valve Cover Plate
25	904-655	Burner Orifice #45 NG
	904-575	Burner Orifice #55 LP

Not Shown	Part #	Description
N/S	904-529	Allen Key 5/32 Long
N/S	905-003	Minimum Rate Screw 0.95mm LP
N/S	911-198	Thermocouple Interrupter
N/S	932-024	Tubing SS Flexible 3/8 x 24 inch
N/S	904-599	Fitting Elbow 90 Degree
N/S	904-629	Fitting Elbow 90 Degree Forged
N/S	911-195	Plug Pipe 3/8" NPT (1005-14) (Each)
N/S	904-658	Inlet Flex Line Gas SS Steel 24 inch
N/S	716-046	Valve Assembly Gasket
N/S	936-221	Orange Gasket (Side Firebox)
N/S	911-196	Wire Interrupter-Receiver TC
N/S	911-200	Wire Harness 8 Wires 500 mm
N/S	911-201	Wire Harness Module - Receiver 1000 mm
N/S	911-202	Maxitrol Hand Held Remote Control
N/S	911-204-ASM	Power Cord Assembly Module to Power
N/S	911-205	Wire Module To Fan (3 Wires)
N/S	396-105	Spring Pressure Relief Door 4.5 in. x 0.5 in.
N/S	716-016	Brick Clip (Each)
N/S	716-038	Firebox Base Deflector
N/S	716-537	Door Latch Assembly (Each) Includes Spring
N/S	716-067F	Flue Restrictor Plate
N/S	716-930	Log Set - Complete
N/S	904-751	Leveling Bolt 1/4-20 x 4-1/2 Hex Hd Zinc PdGr.5
N/S	936-155	Gasket Tadpole Tape (Sold Per Foot, 7 Feet Required)
N/S	904-691	Glass Clip-U
N/S	396-042F	Glass Door Frame Tool
N/S	716-019	Left Side Panel Black
N/S	716-020	Right Side Panel Black
N/S	716-021	Rear Panel Black
N/S	716-095	Right/Left Side Panel Insulation (Each)
N/S	716-096	Rear Panel Insulation
N/S	716-018	Side Panel Guide (Each)
N/S	716-507	Manual Package Complete
	919-699	Instruction Manual

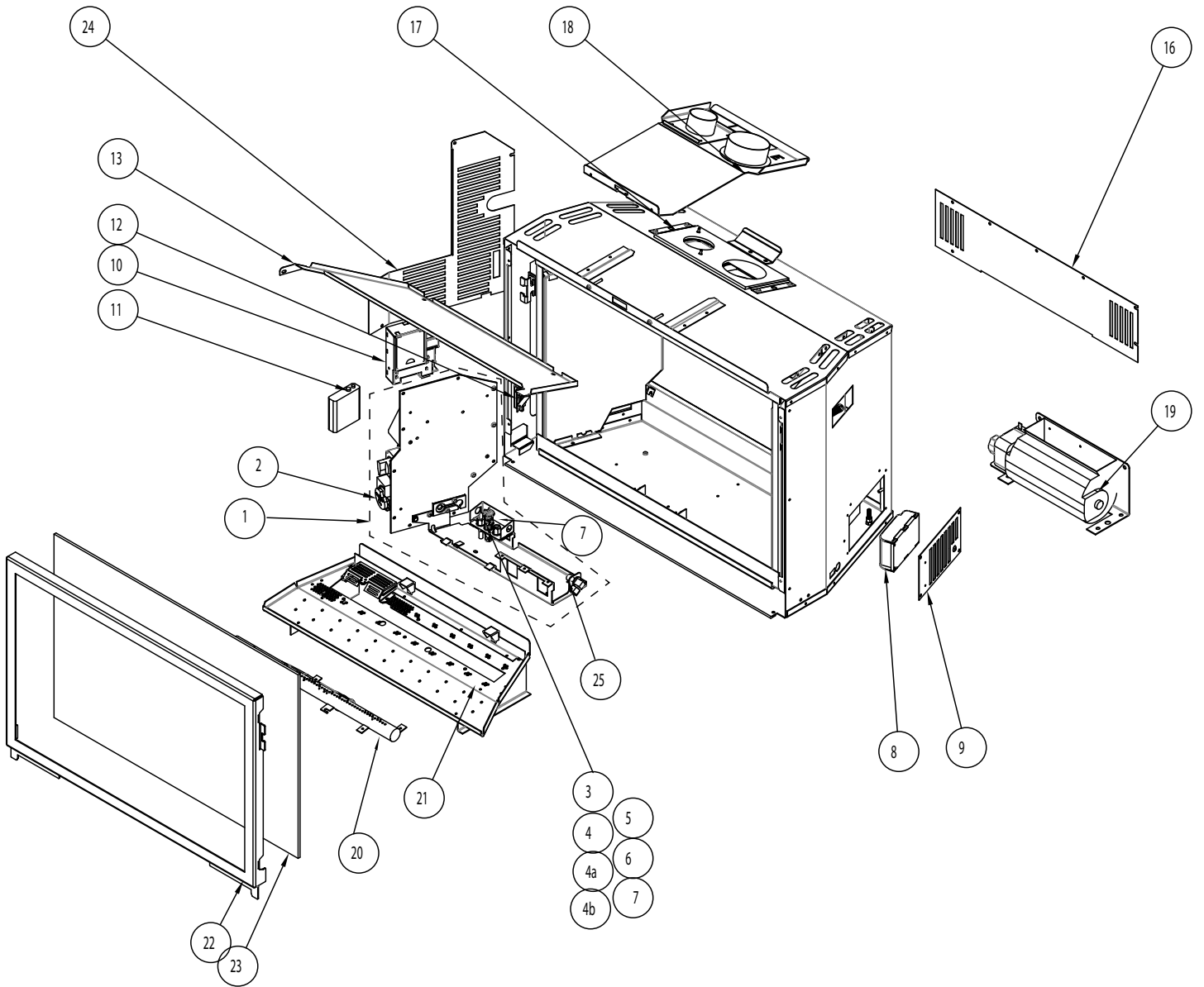


HRI3E PARTS LIST

#	Part #	Part Description
1	716-578/P	Valve Assembly - NG
	716-580/P	Valve Assembly - LP
2	911-194	Maxitrol Gas Valve Only - NG
	911-217	Maxitrol Gas Valve Only - LP
3	911-218	Pilot Assembly NG 3 Flame
	911-219	Pilot Assembly LP 3 Flame
4	910-100	Pilot Orifice NG #62 977.166
	910-101	Pilot Orifice LP #35 977.168
4a	910-096	3 Way pilot Hood
4b	911-137	Pilot Hood clip
5	911-038	Spark Electrode Cable Black 0.915.020
6	910-386	Thermocouple
7	716-042	Pilot Hood
7	716-047	Pilot Shield
8	911-199	Fan Module Variable Voltage
9	716-063F	Fan Module Mounting Bracket
10	911-203	Maxitrol Remote Receiver
11	911-206	Battery Box With 90 degree Receiver Cable
12	911-211	On/Off Switch With 500 mm Cable
13	716-011	Firebox Baffle
16	716-079F	Plate - Fan Access
17	716-515	Flue Adaptor Assembly
18	716-076	Flue Adaptor Gasket
19	911-207/P	Fan Motor Only Including Squirrel Cage
20	716-525	Burner Tube Assembly NG/LP
21	716-039	Burner Cover/Tray
22	716-012	Door Frame Only - No Glass
23	940-454/P	Replacement Glass - Include Gasket (Size:24 1/8 " W. X 15 11/16" H.)
24	716-058	Left Side Valve Cover Plate
25	904-655	Burner Orifice #45 NG
	904-575	Burner Orifice #55 LP

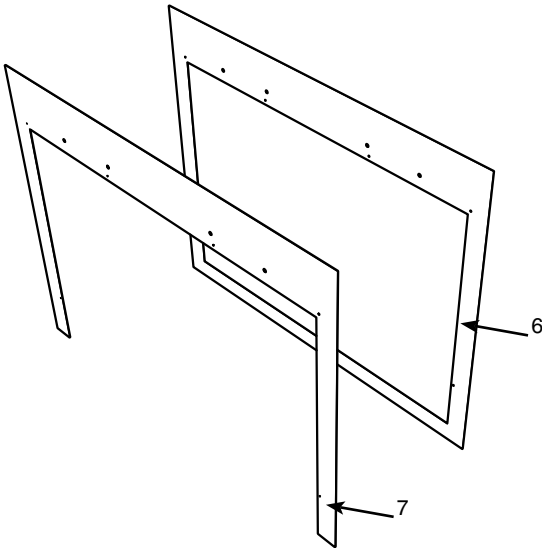
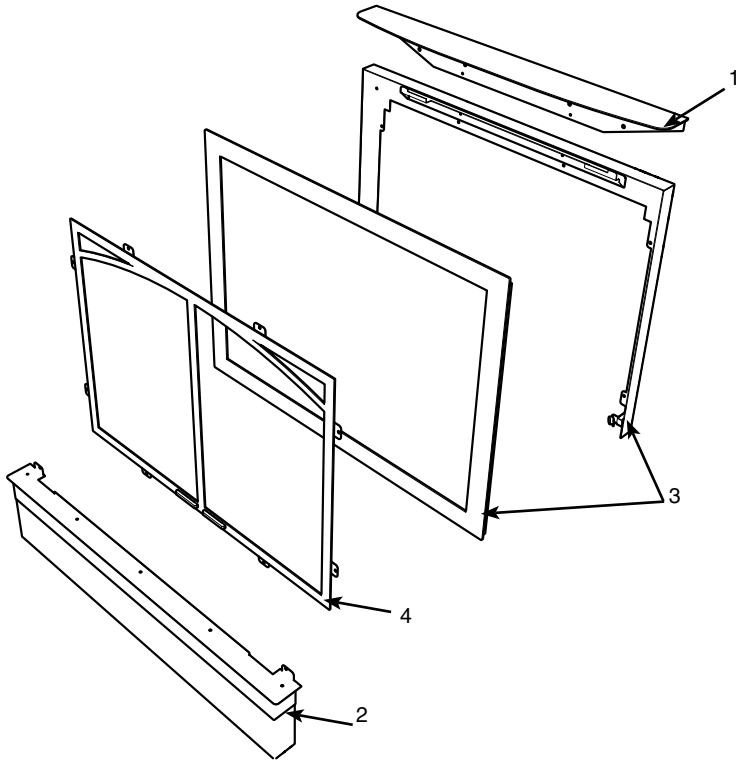
Not Shown	Part #	Part Description
N/S	904-529	Allen Key 5/32 Long
N/S	905-003	Minimum Rate Screw 0.95mm LP
N/S	911-198	Thermocouple Interrupter
N/S	932-024	Tubing SS Flexible 3/8 x 24 inch
N/S	904-599	Fitting Elbow 90 Degree
N/S	904-629	Fitting Elbow 90 Degree Forged
N/S	911-195	Plug Pipe 3/8" NPT (1005-14) (Each)
N/S	904-658	Inlet Flex Line Gas SS Steel 24 inch
N/S	716-046	Valve Assembly Gasket
N/S	936-221	Orange Gasket (Side Firebox)
N/S	911-196	Wire Interrupter-Receiver TC
N/S	911-200	Wire Harness 8 Wires 500 mm
N/S	911-201	Wire Harness Module - Receiver 1000 mm
N/S	911-202	Maxitrol Hand Held Remote Control
N/S	911-204-ASM	Power Cord Assembly Module to Power
N/S	911-205	Wire Module To Fan (3 Wires)
N/S	396-105	Spring Pressure Relief Door 4.5 in. x 0.5 in.
N/S	716-016	Brick Clip (Each)
N/S	716-537	Door Latch Assembly (Each) Includes Spring
N/S	716-067F	Flue Restrictor Plate
N/S	904-751	Leveling Bolt 1/4-20 x 4-1/2 Hex Hd Zinc Pd Gr.5
N/S	936-155	Gasket Tadpole Tape (Sold Per Foot, 7 Feet Required)
N/S	904-691	Glass Clip-U
N/S	396-042F	Glass Door Frame Tool
N/S	716-019	Left Side Panel Black
N/S	716-020	Right Side Panel Black
N/S	716-021	Rear Panel Black
N/S	716-095	Right/Left Panel Insulation (Each)
N/S	716-096	Rear Panel Insulation
N/S	716-018	Side Panel Guide (Each)
N/S	716-507	Manual Package Complete
N/S	911-005	Minimum rate screw LP
N/S	911-010	Minimum rate screw NG
N/S	716-010	Replacement safety screen (Vignette F/P)
	919-699	Instruction Manual

# HRI3E MAIN ASSEMBLY





ACCESSORIES



#	Part #	Part Description
1	716-920	Mantel Deflector
2	716-919	Hearth Trim Adjustable
3	716-921	Faceplate Vignette Tuscan Sunset
	716-922	Faceplate Vignette Black Chrome
	716-923	Faceplate Vignette Metallic Black
	716-924	Faceplate Vignette Platinum
6	716-928	Backing Plate 4-Sided Vignette
7	716-925	Backing Plate Vignette Small
	716-926	Backing Plate Vignette Regular
	716-927	Backing Plate Vignette Oversize
	Not shown	
	716-901	Brick Panel Standard Brown
	716-902	Brick Panel Standard Red
	716-703	Brick Panel Standard Black
	716-908	Inner Panel Black Enamel
	716-911	Vignette Door Inlay Tuscan Sunset
	716-912	Vignette Door Inlay Black Chrome
	716-913	Vignette Door Inlay Metallic Black
	716-914	Vignette Craftsman Inlay Tuscan Sunset
	716-915	Vignette Craftsman Inlay Black Chrome
	716-916	Vignette Craftsman Inlay Metallic Black
	716-925	Backing Plate Vignette Small
	716-926	Backing Plate Vignette Regular
	716-927	Backing Plate Vignette Oversize
	716-931	Backing Plate Custom 3-Sided Vignette
	716-932	Backing Plate Custom 4-Sided Vignette
	716-933	Faceplate Vignette Georgian Metallic Black
	716-934	Faceplate Vignette Georgian Iron Gray
	716-969	Conversion Kit LP
	716-968	Conversion Kit NG

Lined area for notes with horizontal ruling lines.

**Limited Lifetime Warranty**

FPI Fireplace Products International Ltd. (for Canadian customers) and Fireplace Products U.S., Inc. (for U.S. customers) (collectively referred to herein as “FPI”) extends this Limited Lifetime Warranty to the original purchaser of this appliance provided the product remains in the original place of installation. The items covered by this limited warranty and the period of such coverage is set forth in the table below.

Some conditions apply (see below).

The policy is not transferable, amendable or negotiable under any circumstances.

Indoor Gas Products Warranty Coverage Parts and Labor	Part				Supplier	Labor Coverage
	Lifetime	5 years	2 years	1 year	Warranty	(Years)
Firebox and Heat Exchanger	✓					3
Steel Burner Tube	✓					3
Glass Thermal breakage only	✓					3
All Surrounds/Inlays Finishes		✓				3
Brick Panels/Log sets/Ceramic Burners		✓				3
All Castings		✓				3
Valve assembly and all gas control components, (Pilot assembly, flame sensors, Spark Electrode, Pilot Tubing, Orifices, Thermocouple, Thermopile)			✓			2
All Other Electrical components,(Ignition Control Boards, Wiring, Switches, Blowers, Blower Control Module, Battery Pack, Remote Control Systems)			✓			2
Enamel Panels			✓			1
Venting/Venting Components			✓			1
All Stainless steel surrounds				✓		1
All Firebox Media (Crystals, Firebeads, Volcanic, Ceramic & Spa Stones)				✓		1
All hardware				✓		1
Mesh/Glass Safety Barriers				✓		1
Accent Light Bulbs				✓		1
Glass (Crazing)				✓		1

**Conditions:**

Warranty protects against defect in manufacture or FPI factory assembled components only, unless herein specified otherwise.

Any part(s) found to be defective during the warranty period as outlined above will be repaired or replaced at FPI’s option through an accredited distributor, dealer or pre-approved and assigned agent provided that the defective part is returned to the distributor, dealer or agent for inspection if requested by FPI. Alternatively, FPI may at its own discretion fully discharge all of its obligations under the warranty by refunding the verified purchase price of the product to the original purchaser. The purchase price must be confirmed by the original Bill of Sale.

**The authorized selling dealer, or an alternative authorized FPI dealer if pre-approved by FPI, is responsible for all in-field diagnosis and service work related to all warranty claims. FPI is not responsible for results or costs of workmanship of unauthorized FPI dealers or agents in the negligence of their service work.**

At all times FPI reserves the right to inspect reported complaints on location in the field claimed to be defective prior to processing or authorizing of any claim. Failure to allow this upon request will void the warranty.

All warranty claims must be submitted by the dealer servicing the claim, including a copy of the Bill of Sale (proof of purchase by you). All claims must be complete and provide full details as requested by FPI to receive consideration for evaluation. Incomplete claims may be rejected.

Unit must be installed according to all manufacturers' instructions as per the manual.

All Local and National required codes must be met.

The installer is responsible to ensure the unit is operating as designed at the time of installation.

The original purchaser is responsible for annual maintenance of the unit, as outlined in the owner's manual. As outlined below, the warranty may be voided due to problems caused by lack of maintenance.

Repair/replacement parts purchased by the consumer from FPI after the original coverage has expired on the unit will carry a 90 day warranty, valid with a receipt only. Any item shown to be defective will be repaired or replaced at our discretion. No labor coverage is included with these parts

**Exclusions:**

This Limited Lifetime Warranty does not extend to paint, rust or corrosion of any kind due to a lack of maintenance or improper venting, combustion air provision, corrosive chemicals (i.e. chlorine, salt, air, etc.), door or glass gasketing.

Malfunction, damage or performance based issues as a result of environmental conditions, location, chemical damages, downdrafts, installation error, installation by an unqualified installer, incorrect chimney components (including but not limited to cap size or type), operator error, abuse, misuse, use of improper fuels, lack of regular maintenance and upkeep, acts of God, weather related problems from hurricanes, tornados, earthquakes, floods, lightning strikes/bolts or acts of terrorism or war, which result in malfunction of the appliance are not covered under the terms of this Limited Lifetime Warranty.

FPI has no obligation to enhance or modify any unit once manufactured (i.e. as products evolve, field modifications or upgrades will not be performed on existing appliances).

This warranty does not cover dealer travel costs for diagnostic or service work. All labor rates paid to authorized dealers are subsidized, pre-determined rates. Dealers may charge homeowner for travel and additional time beyond their subsidy.

Any unit showing signs of neglect or misuse will not be covered under the terms of this warranty policy and may void this warranty. This includes units with rusted or corroded fireboxes which have not been reported as rusted or corroded within three (3) months of installation/purchase.

Units which show evidence of being operated while damaged, or with problems known to the purchaser and causing further damages will void this warranty.

Units where the serial no. has been altered, deleted, removed or made illegible will void this warranty.

Minor movement, expansion and contraction of the steel is normal and is not covered under the terms of this warranty.

Freight damages for products or parts are not covered under the terms of the warranty.

Products made or provided by other manufacturers and used in conjunction with the FPI appliance without prior authorization from FPI may void this warranty.

**Limitations of Liability:**

The original purchaser's exclusive remedy under this warranty, and FPI's sole obligation under this warranty, express or implied, in contract or in tort, shall be limited to replacement, repair, or refund, as outlined above. IN NO EVENT WILL FPI BE LIABLE UNDER THIS WARRANTY FOR ANY INCIDENTAL OR CONSEQUENTIAL COMMERCIAL DAMAGES OR DAMAGES TO PROPERTY. TO THE EXTENT PERMITTED BY APPLICABLE LAW, FPI MAKES NO EXPRESS WARRANTIES OTHER THAN THE WARRANTY SPECIFIED HEREIN. THE DURATION OF ANY IMPLIED WARRANTY IS LIMITED TO DURATION OF THE EXPRESSED WARRANTY SPECIFIED ABOVE. IF IMPLIED WARRANTIES CANNOT BE DISCLAIMED, THEN SUCH WARRANTIES ARE LIMITED IN DURATION TO THE DURATION OF THIS WARRANTY.

Some U.S. states do not allow limitations on how long an implied warranty lasts, or allow exclusion or limitation of incidental or consequential damages, so the above limitations or exclusions may not apply to you.

Customers located outside the U.S. should consult their local, provincial or national legal codes for additional terms which may be applicable to this warranty.

**How to Obtain Warranty Service:**

Customers should contact the authorized selling dealer to obtain warranty service. In the event the authorized selling dealer is unable to provide warranty service, please contact FPI by mail at the address listed below. Please include a brief description of the problem and your address, email and telephone contact information. A representative will contact you to make arrangements for an inspection and/or warranty service.

Canadian Warrantor:

**FPI Fireplace Products International Ltd.**  
6988 Venture St.  
Delta, British Columbia  
Canada, V4G 1H4

U.S. Warrantor:

**Fireplace Products U.S., Inc.**  
PO Box 2189 PMB 125  
Blaine, WA  
United States, 98231

Or contact the Regency Customer Care Centre at 1-800-442-7432 (phone) / 604-946-4349 (fax)

**Product Registration and Customer Support:**

Thank you for choosing a Regency Fireplace. Regency strives to be a world leader in the design, manufacture, and marketing of hearth products. To provide the best support for your product, we request that you complete a product registration form at <http://www.regency-fire.com/Customer-Care/Warranty-Registration.aspx> within ninety (90) days of purchase.



### Product Registration and Customer Support:

Thank you for choosing a Regency Fireplace. Regency strives to be a world leader in the design, manufacture, and marketing of hearth products. To provide the best support for your product, we request that you complete a product registration form found on our Web Site under Customer Care within ninety (90) days of purchase.

For purchases made in **CANADA or the UNITED STATES:**

<http://www.regency-fire.com/Customer-Care/Warranty-Registration.aspx>

For purchases made in **AUSTRALIA:**

<http://www.regency-fire.com.au/Customer-Care/Warranty-Registration.aspx>

You may also complete the warranty registration form below to register your Regency Fireplace Product and mail and/or fax it back to us, and we will register the warranty for you. It is important you provide us with all the information below in order for us to serve you better.

### Warranty Registration Form (or Register online immediately at the above Web Site):

<b>Warranty Details</b>	
Serial Number (required):	
Purchase Date (required) (mm/dd/yyyy):	
<b>Product Details</b>	
Product Model (required):	
<b>Dealer Details</b>	
Dealer Name (required):	
Dealer Address:	
Dealer Phone #:	
Installer:	
Date Installed (mm/dd/yyyy):	
<b>Your Contact Details (required)</b>	
Name:	
Address:	
Phone:	
Email:	

For purchases made in **CANADA:**

**FPI Fireplace Products  
International Ltd.**  
6988 Venture St.  
Delta, British Columbia  
Canada, V4G 1H4

Phone: 604-946-5155  
Fax: 604-946-4349

For purchases made in the **UNITED STATES:**

**Fireplace Products U.S., Inc.**  
PO Box 2189 PMB 125  
Blaine, WA  
United States, 98231

Phone: 604-946-5155  
Fax: 604-946-4349

For purchases made in **AUSTRALIA:**

**Fireplace Products Australia Pty  
Ltd**  
1- 3 Conquest Way  
Hallam, VIC  
Australia, 3803

Phone: +61 3 9799 7277  
Fax: +61 3 9799 7822

For fireplace care and tips and answers to most common questions please visit our Customer Care section on our Web Site. Please feel free to contact your selling dealer if you have any questions about your Regency product.











***Installer: Please complete the following information***

**Dealer Name & Address:** \_\_\_\_\_  
\_\_\_\_\_

**Installer:** \_\_\_\_\_

**Phone #:** \_\_\_\_\_

**Date Installed:** \_\_\_\_\_

**Serial No.:** \_\_\_\_\_