

# AMERICAN FYRE DESIGNS™

outdoor products collection



American Fyre Designs™ • 2019 Product Catalog • RH Peterson Co.

RH PETERSON co.

CRAFTED WITH PRIDE  IN THE USA







# AMERICAN FYRE DESIGNS™

Outdoor Products Collection

Homeowners all over the country have come to realize the allure of fire in their backyards. Fire brings warmth, glow and serenity, encouraging us to relax and unwind. An American Fyre Designs™ exterior fire feature will anchor your outdoor living space and turn your patio into an outdoor sanctuary inviting conversation that flows well into the night – even when there is chill in the air.

From Fireplaces perfect for cuddling up under the stars, to Firetables ideal for entertaining, to Firefalls that combine the charm of fire with running water, each product is expertly crafted from innovative glass fiber reinforced concrete (GFRC). GFRC derives its strength from a dosage of alkali-resistant glass fiber and acrylic polymer that results in durable concrete to withstand the outdoor elements. Modularly constructed as easy-to-assemble components, American Fyre Designs™ products fit easily into most backyards, making installation fast and simple.

American Fyre Designs™ products are available in a variety of styles, colors and textures to complement any décor. Warm your outdoor living area with American Fyre Designs™.



# Fireplaces

## Recessed Option

Fireplaces may be ordered with recessed hearth and/or body to accommodate field cladding in tile, stone, or other veneer. These recessed vertical surfaces are unfinished.



Reduced Cordova Fireplace with slate tile veneer



Mariposa Fireplace with stacked stone veneer

Pictured above: Grand Mariposa Fireplace (868-05-N-SD-xxC) in Sedona Finish with Charred Oak log set (CHDG45-24).



# Fireplaces

Create an enticing outdoor setting with the American Fyre Designs™ Outdoor Fireplaces. Expertly handcrafted from innovative glass fiber reinforced concrete (GFRC), a variety of styles, finishes, and options are available to find the right fireplace for your setting.

The Grand Series Fireplaces incorporate wall extension panels to create a more impressive design while keeping the same style and look of the fireplace. Wall extension panels expand upon the body of the Fireplace to create many new decorating opportunities while also providing a beautiful separation to the world behind the fireplace.

Most fireplaces are available in vent-free versions which permit you to locate your fireplace in a lanai or other covered outdoor area.



## Grand Cordova Fireplace

Model shown: **882-35-N-CB-xxC\*** // Finish: CB, Café Blanco

- Dimensions: 110" w x 41" d x 95" h
- Includes Rectangle Extended Bullnose Hearth

MODEL #	DESCRIPTION
<b>882-35-x-xx-xxC</b>	Vented Fireplace
<b>182-35-x-xx-xxC</b>	Vent-Free Fireplace



## Grand Phoenix Fireplace

Model shown: **818-05-N-SD-xxC\*** // Finish: SD, Sedona

- Dimensions: 113" w x 36" d x 87" h
- Includes Extended Bullnose Hearth

MODEL #	DESCRIPTION
<b>818-05-x-xx-xxC</b>	Vented Fireplace
<b>118-05-x-xx-xxC</b>	Vent-Free Fireplace

## Feature Highlights

- Modularly constructed as easy-to-assemble components
- Exterior may be recessed to accommodate field cladding in tile, stone, or other veneer
- Most fireplaces available as Vented or Vent-Free
- All Vent-Free fireplaces are blocked at the top and throat of the firebox
- Most Fireplaces include herringbone firebox liners (excluding Brooklyn and Manhattan models)



## Grand Mariposa Fireplace

Model shown: **868-05-N-SD-xxC\*** // Finish: SD, Sedona

- Dimensions: 113" w x 36" d x 67" h
- Includes Extended Bullnose Hearth

MODEL #	DESCRIPTION
<b>868-05-x-xx-xxC</b>	Vented Fireplace
<b>168-05-x-xx-xxC</b>	Vent-Free Fireplace



## Grand Petite Cordova Fireplace

Model shown: **865-10-N-SM-xxC\*** // Finish: SM, Smoke

- Dimensions: 127" w x 36" d x 84" h
- Includes Extended Bullnose Hearth

MODEL #	DESCRIPTION
<b>865-10-x-xx-xxC</b>	Vented Fireplace
<b>165-10-x-xx-xxC</b>	Vent-Free Fireplace

Fireplace venting options **V** = Vented **VF** = Vent Free

\*Vented models shown. See local dealer for information on Vent-Free Fireplaces.

See pages 30 - 33 for available media, page 37 for accessories and page 39 for finish options.





### Cordova Fireplace

Model shown: **022-20-N-CB-xxC\*** // Finish: CB, Café Blanco

- Dimensions: 76" w x 41" d x 95" h
- Pictured with 16" Rectangle Bullnose Hearth

MODEL #	DESCRIPTION
<b>022-xx-x-xx-xxC</b>	Vented Fireplace
<b>122-xx-x-xx-xxC</b>	Vent-Free Fireplace



### Reduced Cordova Fireplace

Model shown: **023-20-N-CB-xxC\*** // Finish: CB, Café Blanco

- Dimensions: 76" w x 41" d x 82" h
- Pictured with 16" Rectangle Bullnose Hearth

MODEL #	DESCRIPTION
<b>023-xx-x-xx-xxC</b>	Vented Fireplace
<b>123-xx-x-xx-xxC</b>	Vent-Free Fireplace



### Petite Cordova Fireplace

Model shown: **025-01-N-CB-xxC\*** // Finish: CB, Café Blanco

- Dimensions: 65" w x 36" d x 84" h
- Pictured with 16" Radiused Bullnose Hearth

MODEL #	DESCRIPTION
<b>025-xx-x-xx-xxC</b>	Vented Fireplace
<b>125-xx-x-xx-xxC</b>	Vent-Free Fireplace



### Mariposa Fireplace

Model shown: **073-01-N-CB-xxC\*** // Finish: CB, Café Blanco

- Dimensions: 65" w x 36" d x 67" h
- Pictured with 16" Radiused Bullnose Hearth

MODEL #	DESCRIPTION
<b>073-xx-x-xx-xxC</b>	Vented Fireplace
<b>173-xx-x-xx-xxC</b>	Vent-Free Fireplace



### Phoenix Fireplace

Model shown: **017-01-N-SM-xxC\*** // Finish: SM, Smoke

- Dimensions: 65" w x 36" d x 87" h
- Pictured with 16" Radiused Bullnose Hearth

MODEL #	DESCRIPTION
<b>017-xx-x-xx-xxC</b>	Vented Fireplace
<b>117-xx-x-xx-xxC</b>	Vent-Free Fireplace



### Manhattan Fireplace

Model shown: **082-SB-N-SM-LBxC** // Finish: SM, Smoke  
// Shelf finish: SB, Smooth Black

- Dimensions: 59" w x 32" d x 42" h
- Includes Mirror Stainless Steel Liner

MODEL #	DESCRIPTION	NG (Btu)	LP (Btu)
<b>082-xx-N-xx-LBxC</b>	Vented Fireplace	45,000	40,000

Propane model is equipped with an access door to house a 5 gal. LP tank inside the unit (not included).

\*Vented models shown. See local dealer for information on Vent-Free Fireplaces.

Fireplace venting options = Vented = Vent Free

See pages 30 - 33 for available media, page 37 for accessories and page 39 for finish options.





### Contractor's Model Fireplace

Model shown: **040-11-A-WC-RBC\*** // Finish: WC, White Concrete

- Dimensions: 67" w x 37" d x 96" h
- Add your own stone veneer for a custom look
- Available in White Concrete (WC) only

MODEL #	DESCRIPTION
<b>040-11-A-WC-RBC</b>	Vented Fireplace
<b>140-11-A-WC-RBC</b>	Vent-Free Fireplace



### Brooklyn Fireplace

Model shown: **050-CG-N-SP-xxC\*** // Mantel finish: SP, Silver Pine

- Overall Dimensions: 68" w x 38" d x 68½" h
- Mantel Dimensions: 68" w x 7" d x 7" h
- "Board-Form" texture on face and hearth sections
- Smooth black interior firebox liners
- Body available in Concrete Grey (CG) finish only

MODEL #	DESCRIPTION	MANTEL COLOR
<b>050-CG-N-FO-xxC</b>	Vented Fireplace	French Barrel Oak
<b>150-CG-N-FO-xxC</b>	Vent-Free Fireplace	French Barrel Oak
<b>050-CG-N-SP-xxC</b>	Vented Fireplace	Silver Pine
<b>150-CG-N-SP-xxC</b>	Vent-Free Fireplace	Silver Pine



### Brooklyn Smooth Fireplace

Model shown: **060-CG-N-FO-xxC\*** // Mantel finish: FO, French Barrel Oak

- Overall Dimensions: 68" w x 38" d x 68½" h
- Mantel Dimensions: 68" w x 7" d x 7" h
- Add your own stone veneer for a custom look
- Smooth black interior firebox liners
- Body available in Concrete Grey (CG) finish only

MODEL #	DESCRIPTION	MANTEL COLOR
<b>060-CG-N-FO-xxC</b>	Vented Fireplace	French Barrel Oak
<b>160-CG-N-FO-xxC</b>	Vent-Free Fireplace	French Barrel Oak
<b>060-CG-N-SP-xxC</b>	Vented Fireplace	Silver Pine
<b>160-CG-N-SP-xxC</b>	Vent-Free Fireplace	Silver Pine



### Contractor's Model w/ Moulding

Model shown: **045-11-A-WC-RBC\*** // Finish: WC, White Concrete

- Dimensions: 67" w x 37" d x 91" h
- Add your own stone veneer for a custom look
- Available in White Concrete (WC) Only

MODEL #	DESCRIPTION
<b>045-11-A-WC-RBC</b>	Vented Fireplace
<b>145-11-A-WC-RBC</b>	Vent-Free Fireplace



Contractor's Model Fireplace with stone veneer

The Contractor's Model comes with an unfinished surface to customize the exterior in your choice of surface veneer.

Fireplace venting options = Vented = Vent Free



# Firefalls



Glass Wind Guards included with all Firefalls

Pictured above: Small Firefall (690-BA-12-V5xC) in Black Lava Finish with Gold Reflective Fyre Glass (GL-xx-HR).



# Firefalls

The Firefalls feature cascading water down the backdrop, dancing flames in the front, and the new Night Fyre™ multi-color L.E.D. accent lighting to spotlight the water.

Available in both a large and a small size; the large features an arched upper mantle and recessed side panels, while the small has a flat top. This piece is handcrafted from glass fiber reinforced concrete (GFRC) and comes in a variety of different colors and textures.



New Firefalls with Night Fyre L.E.D. accent lighting



Artisan Glass Small Pebbles option for back wall available

## Feature Highlights

- Handcrafted from innovative Glass Fiber Reinforced Concrete (GFRC)
- Cascading water feature
- Night Fyre™ multi-color L.E.D. accent lighting standard on all firefalls
- Artisan Glass Small Pebbles option for back wall
- Glass Wind Guard included with all Firefalls
- Large Firefalls have access door to accommodate a 5 gal. LP tank inside the unit (tank not included)
- Available for Natural Gas or Propane



### Large Firefalls w/ Night Fyre

Model shown: **695-SD-12-V5xC** // Finish: SD, Sedona

- Dimensions: 65" w x 27¾" d x 73" h
- Night Fyre™ multi-color L.E.D. accent lighting
- Includes Glass Wind Guard
- Accepts a 5 gal. LP tank inside the unit (not included)

MODEL #	VALVE	WALL	NG (Btu)	LP (Btu)
<b>695-xx-12-V5xC</b>	Knob	Brick Pattern	45,000	45,000
<b>695-xx-12-K5xC</b>	Key	Brick Pattern	45,000	45,000
<b>695-xx-52-V5xC</b>	Knob	Artisan Glass	45,000	45,000
<b>695-xx-52-K5xC</b>	Key	Artisan Glass	45,000	45,000



### Small Firefall w/ Night Fyre

Model shown: **690-BA-12-V5xC** // Finish: BA, Black Lava

- Dimensions: 47½" w x 25¾" d x 51½" h
- Night Fyre™ multi-color L.E.D. accent lighting
- Includes Glass Wind Guard

MODEL #	VALVE	WALL	NG (Btu)	LP (Btu)
<b>690-xx-12-V5xC</b>	Knob	Brick Pattern	35,000	35,000
<b>690-xx-12-K5xC</b>	Key	Brick Pattern	35,000	35,000
<b>690-xx-52-V5xC</b>	Knob	Artisan Glass	35,000	35,000
<b>690-xx-52-K5xC</b>	Key	Artisan Glass	35,000	35,000

Firefalls include water reservoir, PVC piping, pump, low voltage transformer/timer, and LED lights.



# Chat Height Firetables

## Firetables

Our Chat Height Firetables create the perfect ambiance for enjoying an outdoor meal or cocktail while also keeping you warm from the evening chill.

Fuel options include Natural Gas or self-contained Propane tank (most include a removable door to house a 5 gallon Propane tank inside). Handcrafted from glass fiber reinforced concrete (GFRC).



(Available on Contempo Square, Contempo Rectangle, and all Cosmopolitan firetables only)

## Glass Wind Guards

Available for most Firetables (see pg. 38)



Pictured above: Fiesta Firetable (770-SD-11-V2xC) in Sedona Finish with Copper Reflective Fyre Glass (2-GL-10-QR).



## Feature Highlights

- Handcrafted from innovative Glass Fiber Reinforced Concrete (GFRC)
- Stainless steel burners
- Optional 110V All Weather Electronic Ignition System (AWEIS) with remote (Available on Contempo, Versailles, Cosmopolitan, & Milan firetables only)
- Optional Night Fyre™ multi-color L.E.D. accent lighting (Available on Contempo Square, Contempo Rectangle, and all Cosmopolitan Firetables only)
- Access door to accommodate a 5 gal. Propane tank inside the unit (Excluding Contempo, Versailles, Calais, & Milan Firetables)
- Adjustable flame height for comfortable dining
- Available for Natural Gas or Propane



### Lotus Firetable\*

Model shown: **653-CB-11-V2xC** // Finish: CB, Café Blanco

- Dimensions: 48" diameter x 20" h
- 12" star stainless steel burner

MODEL #	DESCRIPTION	NG (Btu)	LP (Btu)
<b>653-xx-11-V2xC</b>	w/ Knob valve	60,000	50,000
<b>653-xx-11-K2xC</b>	w/ Key valve	60,000	50,000



### Contempo Round Firetable \*

Model shown: **782-SM-11-V2xC** // Finish: SM, Smoke

- Dimensions: 47" diameter x 15½" h
- 12" star stainless steel burner

MODEL #	DESCRIPTION	NG (Btu)	LP (Btu)
<b>782-xx-11-V2xC</b>	w/ Knob valve	60,000	50,000
<b>782-xx-11-K2xC</b>	w/ Key valve	60,000	50,000
<b>782-xx-11-F2xC</b>	w/ AWEIS valve†	90,000	80,000



### Contempo Square Firetable\*

Model shown: **784-SM-11-V2xC** // Finish: SM, Smoke

- Dimensions: 44" w x 44" d x 15½" h
- 12" star stainless steel burner

MODEL #	DESCRIPTION	NG (Btu)	LP (Btu)
<b>784-xx-11-V2xC</b>	w/ Knob valve	60,000	50,000
<b>784L-xx-11-V2xC</b>	w/ Knob & Night Fyre	60,000	50,000
<b>784-xx-11-K2xC</b>	w/ Key valve	60,000	50,000
<b>784L-xx-11-K2xC</b>	w/ Key & Night Fyre	60,000	50,000
<b>784-xx-11-F2xC</b>	w/ AWEIS valve†	90,000	80,000
<b>784L-xx-11-F2xC</b>	w/ AWEIS & Night Fyre†	90,000	80,000

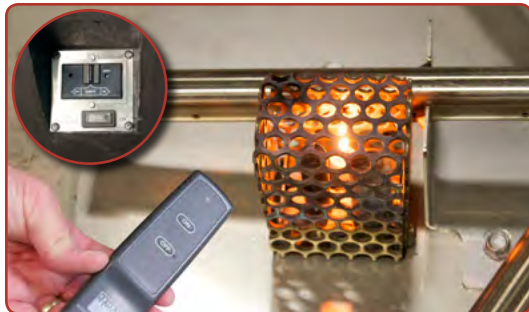


### Contempo Rectangle Firetable\*

Model shown: **783L-WA-11-V4xC** (w/ Night Fyre) // Finish: WA, White Aspen

- Dimensions: 52" w x 36" d x 15½" h
- 24" linear stainless steel burner

MODEL #	DESCRIPTION	NG (Btu)	LP (Btu)
<b>783-xx-11-V4xC</b>	w/ Knob valve	60,000	50,000
<b>783L-xx-11-V4xC</b>	w/ Knob & Night Fyre	60,000	50,000
<b>783-xx-11-K4xC</b>	w/ Key valve	60,000	50,000
<b>783L-xx-11-K4xC</b>	w/ Key & Night Fyre	60,000	50,000
<b>783-xx-11-F4xC</b>	w/ AWEIS valve†	90,000	80,000
<b>783L-xx-11-F4xC</b>	w/ AWEIS & Night Fyre†	90,000	80,000



### All Weather Electronic Ignition System

All Weather Electronic Ignition System (AWEIS) includes Hot Surface Ignition, on/off remote control and was developed to operate in harsh weather conditions. This is the most reliable ignition system in the industry. (Available on Contempo, Versailles, Cosmopolitan, & Milan firetables only)

\*Cannot accommodate a Propane tank inside the unit, see page 38 for tank housing options.

†Contempo firetables with All Weather Electronic Ignition System (AWEIS) include remote control, Glass Wind Guard, and require 120V AC power.

See pages 30 - 33 for available media, pages 34, 35, & 38 for accessories and page 39 for finish options.





### Amphora Firetable

Model shown: **610-SM-11-V2xC** // Finish: SM, Smoke

- Dimensions: 48" diameter x 24" h
- 12" star stainless steel burner
- Accepts a 5 gal. LP tank inside the unit (not included)

MODEL #	DESCRIPTION	NG (Btu)	LP (Btu)
<b>610-xx-11-V2xC</b>	w/ Knob valve	60,000	50,000
<b>610-xx-11-K2xC</b>	w/ Key valve	60,000	50,000



### Inverted Firetable

Model shown: **629-SD-11-V2xC** // Finish: SD, Sedona

- Dimensions: 48" diameter x 24" h
- 12" star stainless steel burner
- Accepts a 5 gal. LP tank inside the unit (not included)

MODEL #	DESCRIPTION	NG (Btu)	LP (Btu)
<b>629-xx-11-V2xC</b>	w/ Knob valve	60,000	50,000
<b>629-xx-11-K2xC</b>	w/ Key valve	60,000	50,000



### Octagon Firetable

Model shown: **626-CB-11-V2xC** // Finish: CB, Café Blanco

- Dimensions: 54" diameter x 24" h
- 12" star stainless steel burner
- Accepts a 5 gal. LP tank inside the unit (not included)

MODEL #	DESCRIPTION	NG (Btu)	LP (Btu)
<b>626-xx-11-V2xC</b>	w/ Knob valve	60,000	50,000
<b>626-xx-11-K2xC</b>	w/ Key valve	60,000	50,000



### Fiesta Firetable

Model shown: **770-SD-11-V2xC** // Finish: SD, Sedona

- Dimensions: 54" diameter x 25" h
- 12" star stainless steel burner
- Accepts a 5 gal. LP tank inside the unit (not included)
- Fiesta Firetables include nylon cover for LP tank

MODEL #	DESCRIPTION	NG (Btu)	LP (Btu)
<b>770-xx-11-V2xC</b>	w/ Knob valve	60,000	50,000
<b>770-xx-11-K2xC</b>	w/ Key valve	60,000	50,000



### Calais Oval Firetable\*

Model shown: **759-WA-11-V4xC** // Finish: WA, White Aspen

- Dimensions: 60" w x 36" d x 18" h
- 24" linear stainless steel burner

MODEL #	DESCRIPTION	NG (Btu)	LP (Btu)
<b>759-xx-11-V4xC</b>	w/ Knob valve	60,000	50,000
<b>759-xx-11-K4xC</b>	w/ Key valve	60,000	50,000



### Versailles Firetable\*

Model shown: **744-SM-11-V6xC** // Finish: SM, Smoke

- Dimensions: 54" diameter x 16" h
- 16" star stainless steel burner

MODEL #	DESCRIPTION	NG (Btu)	LP (Btu)
<b>744-xx-11-V6xC</b>	w/ Knob valve	65,000	60,000
<b>744-xx-11-K6xC</b>	w/ Key valve	65,000	60,000
<b>744-xx-11-F6xC</b>	w/ AWEIS valve†	140,000	140,000

\*Cannot accommodate a Propane tank inside the unit, see page 38 for tank housing options.



**NIGHT FYRE**

## Cosmopolitan Round Firetable

Model shown: **645-BA-11-V2xC** // Finish: BA, Black Lava

- Dimensions: 48" diameter x 24" h
- 12" star stainless steel burner
- Accepts a 5 gal. LP tank inside the unit (not included)

MODEL #	DESCRIPTION	NG (Btu)	LP (Btu)
<b>645-xx-11-V2xC</b>	w/ Knob valve	60,000	50,000
<b>645L-xx-11-V2xC</b>	w/ Knob & Night Fyre	60,000	50,000
<b>645-xx-11-K2xC</b>	w/ Key valve	60,000	50,000
<b>645L-xx-11-K2xC</b>	w/ Key & Night Fyre	60,000	50,000
<b>645-xx-11-F2xC</b>	w/ AWEIS valve†	90,000	80,000
<b>645L-xx-11-F2xC</b>	w/ AWEIS & Night Fyre†	90,000	80,000



**NIGHT FYRE**

## Cosmopolitan Square Firetable

Model shown: **640-SM-11-V2xC** // Finish: SM, Smoke

- Dimensions: 36" w x 36" d x 24" h
- 12" star stainless steel burner
- Accepts a 5 gal. LP tank inside the unit (not included)

MODEL #	DESCRIPTION	NG (Btu)	LP (Btu)
<b>640-xx-11-V2xC</b>	w/ Knob valve	60,000	50,000
<b>640L-xx-11-V2xC</b>	w/ Knob & Night Fyre	60,000	50,000
<b>640-xx-11-K2xC</b>	w/ Key valve	60,000	50,000
<b>640L-xx-11-K2xC</b>	w/ Key & Night Fyre	60,000	50,000
<b>640-xx-11-F2xC</b>	w/ AWEIS valve†	90,000	80,000
<b>640L-xx-11-F2xC</b>	w/ AWEIS & Night Fyre†	90,000	80,000



**NIGHT FYRE**

## Cosmopolitan Rectangle Firetable

Model shown: **635-SM-11-V4xC** // Finish: SM, Smoke

- Dimensions: 54" w x 36" d x 24" h
- 24" linear stainless steel burner
- Accepts a 5 gal. LP tank inside the unit (not included)

MODEL #	DESCRIPTION	NG (Btu)	LP (Btu)
<b>635-xx-11-V4xC</b>	w/ Knob valve	60,000	50,000
<b>635L-xx-11-V4xC</b>	w/ Knob & Night Fyre	60,000	50,000
<b>635-xx-11-K4xC</b>	w/ Key valve	60,000	50,000
<b>635L-xx-11-K4xC</b>	w/ Key & Night Fyre	60,000	50,000
<b>635-xx-11-F4xC</b>	w/ AWEIS valve†	90,000	80,000
<b>635L-xx-11-F4xC</b>	w/ AWEIS & Night Fyre†	90,000	80,000



## Voro Firetable

Model shown: **725-BA-11-V2xC** // Finish: BA, Black Lava

- Dimensions: 36" w x 36" d x 24" h
- 12" star stainless steel burner
- Accepts a 5 gal. LP tank inside the unit (not included)

MODEL #	DESCRIPTION	NG (Btu)	LP (Btu)
<b>725-xx-11-V2xC</b>	w/ Knob valve	60,000	50,000
<b>725-xx-11-K2xC</b>	w/ Key valve	60,000	50,000



## Voro Cube

Model shown: **726-BA-11-V2xC** // Finish: BA, Black Lava

- Dimensions: 25½" w x 25½" d x 22¾" h
- 12" star stainless steel burner
- Accepts a 5 gal. LP tank inside the unit (not included)

MODEL #	DESCRIPTION	NG (Btu)	LP (Btu)
<b>726-xx-11-V2xC</b>	w/ Knob valve	60,000	50,000
<b>726-xx-11-K2xC</b>	w/ Key valve	60,000	50,000



## Milan Linear Firetable\*

Model shown: **215-BA-11-F8xC** (Tall version) // Finish: BA, Black Lava

- 48" linear stainless steel burner
- 110V All Weather Electronic Ignition System (AWEIS)
- Includes remote control and glass wind guard

MODEL #	TYPE	DIMENSIONS	NG (Btu)	LP (Btu)
<b>215-xx-11-F8xC</b>	Tall	72" w x 16" d x 32" h	120,000	110,000
<b>216-xx-11-F8xC</b>	Low	72" w x 16" d x 16" h	120,000	110,000

† Firetables with All Weather Electronic Ignition System (AWEIS) include remote control, Glass Wind Guard, and require 120V AC power.



# Dining Firetables



*Pictured Above: Reclaimed Wood Cosmo Square Dining Firetable (642-BA-FO-V6xC) with French Barrel Oak top and Beachwood Logs w/ Stones (OCBW-34).*



## Dining Firetables

Our Dining Firetables create the perfect ambiance for enjoying an outdoor meal or cocktail while also keeping you warm from the evening chill.

Handcrafted from glass fiber reinforced concrete (GFRC), all Dining Firetables provide access to house a 5 gallon Propane tank inside. Fuel options include Natural Gas or Propane.

### Glass Wind Guards

Available for most Firetables (see pg. 38)



### All Weather Electronic Ignition System

All Weather Electronic Ignition System (AWEIS) includes Hot Surface Ignition, on/off remote control and was developed to operate in harsh weather conditions. This is the most reliable ignition system in the industry. (Available on Cosmo Square Dining firetable only)

## Feature Highlights

- Handcrafted from innovative Glass Fiber Reinforced Concrete (GFRC)
- Stainless steel burners
- Optional 110V All Weather Electronic Ignition System (AWEIS) with remote (Available on Cosmo Square Dining firetable only)
- Optional Night Fyre™ multi-color L.E.D. accent lighting (Available on Cosmo Square Dining only)
- Access door to accommodate a 5 gal. Propane tank inside the unit (tank not included)
- Adjustable flame height for comfortable dining
- Available for Natural Gas or Propane



### Cosmopolitan Square Din. Firetable

Model shown: **642-SM-11-V6xC** // Finish: SM, Smoke

- Dimensions: 60" w x 60" d x 29" h
- 16" star stainless steel burner
- Models with AWEIS include a Glass Wind Guard
- Accepts a 5 gal. LP tank inside the unit (not included)

MODEL #	DESCRIPTION	NG (Btu)	LP (Btu)
<b>642-xx-11-V6xC</b>	w/ Knob valve	65,000	60,000
<b>642L-xx-11-V6xC</b>	w/ Knob & Night Fyre	65,000	60,000
<b>642-xx-11-K6xC</b>	w/ Key valve	65,000	60,000
<b>642L-xx-11-K6xC</b>	w/ Key & Night Fyre	65,000	60,000
<b>642-xx-11-F6xC</b>	w/ AWEIS valve†	110,000	110,000
<b>642L-xx-11-F6xC</b>	w/ AWEIS & Night Fyre†	110,000	110,000



### Inverted Dining Firetable

Model shown: **675-CB-11-V2xC** // Finish: CB, Café Blanco

- Dimensions: 60" diameter x 29" h
- 12" star stainless steel burner
- Accepts a 5 gal. LP tank inside the unit (not included)

MODEL #	DESCRIPTION	NG (Btu)	LP (Btu)
<b>675-xx-11-V2xC</b>	w/ Knob valve	60,000	50,000
<b>675-xx-11-K2xC</b>	w/ Key valve	60,000	50,000



### Fiesta Dining Firetable

Model shown: **775-SD-11-V2xC** // Finish: SD, Sedona

- Dimensions: 54" diameter x 28" h
- 12" star stainless steel burner
- Accepts a 5 gal. LP tank inside the unit (not included)
- Fiesta Firetables include nylon cover for LP tank

MODEL #	DESCRIPTION	NG (Btu)	LP (Btu)
<b>775-xx-11-V2xC</b>	w/ Knob valve	60,000	50,000
<b>775-xx-11-K2xC</b>	w/ Key valve	60,000	50,000

† Cosmo Din. firetable with All Weather Electronic Ignition System (AWEIS) include remote control, Glass Wind Guard, and require 120V AC power.

See pages 30 - 33 for available media, pages 34, 35, & 38 for accessories and page 39 for finish options.



# Reclaimed Wood Collection

Silver Pine  
Finish (SP)

French Barrel Oak  
Finish (FO)



## Reclaimed Wood Cosmo Sq. Dining

Model shown: **642-BA-FO-V6xC** // Table top: FO, French Barrel Oak

- Dimensions: 60" w x 60" d x 29" h
- 16" star stainless steel burner
- Accepts a 5 gal. LP tank inside the unit (not included)

MODEL #	DESCRIPTION	NG (Btu)	LP (Btu)
<b>642-BA-xx-V6xC</b>	w/ Knob valve	65,000	60,000
<b>642L-BA-xx-V6xC</b>	w/ Knob & Night Fyre	65,000	60,000
<b>642-BA-xx-K6xC</b>	w/ Key valve	65,000	60,000
<b>642L-BA-xx-K6xC</b>	w/ Key & Night Fyre	65,000	60,000
<b>642-BA-xx-F6xC</b>	w/ AWEIS valve†	110,000	110,000
<b>642L-BA-xx-F6xC</b>	w/ AWEIS & Night Fyre†	110,000	110,000

Replace "xx" with table top code: **FO**, French Barrel Oak // **SP**, Silver Pine.



## Reclaimed Wood Bordeaux Sq. Fire Bowl\*

Model shown: **430-FO-FO-V6xC** // Finish: FO, French Barrel Oak

- Dimensions: 36" w x 36" d x 15¼" h
- 16" star stainless steel burner

MODEL #	DESCRIPTION	NG (Btu)	LP (Btu)
<b>430-xx-xx-V6xC</b>	w/ Knob valve	65,000	60,000
<b>430-xx-xx-K6xC</b>	w/ Key valve	65,000	60,000

Replace "xx" with finish code: **FO**, French Barrel Oak // **SP**, Silver Pine.

*Pictured above: Reclaimed Wood Cosmopolitan Round Firetable [645-BA-FO(-SP)-V2xC] with Black Lava Base and Greige Creekstones (CSTN-20-G).*





## Reclaimed Wood Cosmo Round

Model shown: **645-BA-SP-V2xC** // Table top: SP, Silver Pine

- Dimensions: 48" diameter x 24" h
- 12" star stainless steel burner
- Accepts a 5 gal. LP tank inside the unit (not included)

MODEL #	DESCRIPTION	NG (Btu)	LP (Btu)
<b>645-BA-xx-V2xC</b>	w/ Knob valve	60,000	50,000
<b>645L-BA-xx-V2xC</b>	w/ Knob & Night Fyre	60,000	50,000
<b>645-BA-xx-K2xC</b>	w/ Key valve	60,000	50,000
<b>645L-BA-xx-K2xC</b>	w/ Key & Night Fyre	60,000	50,000
<b>645-BA-xx-F2xC</b>	w/ AWEIS valve†	90,000	80,000
<b>645L-BA-xx-F2xC</b>	w/ AWEIS & Night Fyre†	90,000	80,000

Replace "xx" with table top code: **FO**, French Barrel Oak // **SP**, Silver Pine.



## Reclaimed Wood Cosmo Square

Model shown: **640L-BA-SP-V2xC** (w/ Night Fyre) // Table top: SP, Silver Pine

- Dimensions: 36" w x 36" d x 24" h
- 12" star stainless steel burner
- Accepts a 5 gal. LP tank inside the unit (not included)

MODEL #	DESCRIPTION	NG (Btu)	LP (Btu)
<b>640-BA-xx-V2xC</b>	w/ Knob valve	60,000	50,000
<b>640L-BA-xx-V2xC</b>	w/ Knob & Night Fyre	60,000	50,000
<b>640-BA-xx-K2xC</b>	w/ Key valve	60,000	50,000
<b>640L-BA-xx-K2xC</b>	w/ Key & Night Fyre	60,000	50,000
<b>640-BA-xx-F2xC</b>	w/ AWEIS valve†	90,000	80,000
<b>640L-BA-xx-F2xC</b>	w/ AWEIS & Night Fyre†	90,000	80,000

Replace "xx" with table top code: **FO**, French Barrel Oak // **SP**, Silver Pine.



## Reclaimed Wood Cosmo Rectangle

Model shown: **635-BA-FO-V4xC** // Table top: FO, French Barrel Oak

- Dimensions: 54" w x 36" d x 24" h
- 24" linear stainless steel burner
- Accepts a 5 gal. LP tank inside the unit (not included)

MODEL #	DESCRIPTION	NG (Btu)	LP (Btu)
<b>635-BA-xx-V4xC</b>	w/ Knob valve	60,000	50,000
<b>635L-BA-xx-V4xC</b>	w/ Knob & Night Fyre	60,000	50,000
<b>635-BA-xx-K4xC</b>	w/ Key valve	60,000	50,000
<b>635L-BA-xx-K4xC</b>	w/ Key & Night Fyre	60,000	50,000
<b>635-BA-xx-F4xC</b>	w/ AWEIS valve†	90,000	80,000
<b>635L-BA-xx-F4xC</b>	w/ AWEIS & Night Fyre†	90,000	80,000

Replace "xx" with table top code: **FO**, French Barrel Oak // **SP**, Silver Pine.



## Reclaimed Wood Contempo Round\*

Model shown: **782-BA-FO-V2xC** // Table top: FO, French Barrel Oak

- Dimensions: 47" diameter x 15½" h
- 12" star stainless steel burner

MODEL #	DESCRIPTION	NG (Btu)	LP (Btu)
<b>782-BA-xx-V2xC</b>	w/ Knob valve	60,000	50,000
<b>782-BA-xx-K2xC</b>	w/ Key valve	60,000	50,000
<b>782-BA-xx-F2xC</b>	w/ AWEIS valve†	90,000	80,000

Replace "xx" with table top code: **FO**, French Barrel Oak // **SP**, Silver Pine.



## Reclaimed Wood Contempo Square\*

Model shown: **784-BA-FO-V2xC** // Table top: FO, French Barrel Oak

- Dimensions: 44" w x 44" d x 15½" h
- 12" star stainless steel burner

MODEL #	DESCRIPTION	NG (Btu)	LP (Btu)
<b>784-BA-xx-V2xC</b>	w/ Knob valve	60,000	50,000
<b>784-BA-xx-K2xC</b>	w/ Key valve	60,000	50,000
<b>784-BA-xx-F2xC</b>	w/ AWEIS valve†	90,000	80,000

Replace "xx" with table top code: **FO**, French Barrel Oak // **SP**, Silver Pine.



## Reclaimed Wood Contempo Rectangle\*

Model shown: **783-BA-SP-V4xC** // Table top: SP, Silver Pine

- Dimensions: 52" w x 36" d x 15½" h
- 24" linear stainless steel burner

MODEL #	DESCRIPTION	NG (Btu)	LP (Btu)
<b>783-BA-xx-V4xC</b>	w/ Knob valve	60,000	50,000
<b>783-BA-xx-K4xC</b>	w/ Key valve	60,000	50,000
<b>783-BA-xx-F4xC</b>	w/ AWEIS valve†	90,000	90,000

Replace "xx" with table top code: **FO**, French Barrel Oak // **SP**, Silver Pine.

† Firetables with All Weather Electronic Ignition System (AWEIS) include remote control, Glass Wind Guard, and require 120V AC power.

\* Cannot accommodate a Propane tank inside the unit, see page 38 for matching tank housing options.

See pages 30 - 33 for available media and pages 34, 35, & 38 for accessories.



# Fire Bowls



*Pictured above: 36" Fire Bowl (732-CB-11-V6xC) in Café Blanco Finish with Copper Reflective Fyre Glass (2-GL-40-QR).*



## Fire Bowls

American Fyre Designs™ Fire Bowls are the hottest trend right now because of their simple, contemporary design and versatility of uses. With a variety of different styles and sizes, these Fire Bowls are easily incorporated into any style or size of outdoor space.

Handcrafted from glass fiber reinforced concrete (GFRC), the Fire Bowls come in a variety of different colors and textures. Choose Natural Gas or Propane.

### Feature Highlights

- Contemporary design
- Handcrafted from innovative Glass Fiber Reinforced Concrete (GFRC)
- Stainless steel burners
- Optional 110V All Weather Electronic Ignition System (AWEIS) with remote available on most fire bowls
- Available for Natural Gas or Propane



### 48" Fire Bowl\*

Model shown: **731-CB-11-V6xC** // Finish: CB, Café Blanco

- Dimensions: 48" diameter x 22" h
- 16" star stainless steel burner
- Accepts a 5 gal. LP tank inside the unit (not included)

MODEL #	DESCRIPTION	NG (Btu)	LP (Btu)
<b>731-xx-11-V6xC</b>	w/ Knob valve	65,000	60,000
<b>731-xx-11-K6xC</b>	w/ Key valve	65,000	60,000
<b>731-xx-11-F6xC</b>	w/ AWEIS valve†	140,000	140,000



### 36" Fire Bowl\*

Model shown: **732-SD-11-V6xC** // Finish: SD, Sedona

- Dimensions: 36" diameter x 16" h
- 16" star stainless steel burner

MODEL #	DESCRIPTION	NG (Btu)	LP (Btu)
<b>732-xx-11-V6xC</b>	w/ Knob valve	65,000	60,000
<b>732-xx-11-K6xC</b>	w/ Key valve	65,000	60,000
<b>732-xx-11-F6xC</b>	w/ AWEIS valve†	140,000	140,000

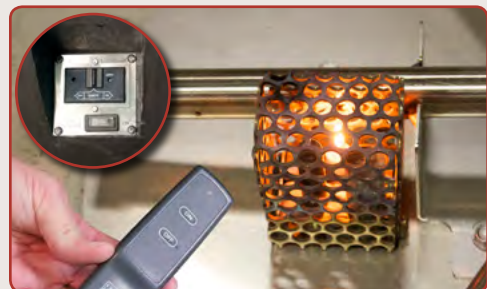


### 32" Fire Bowl\*

Model shown: **733-SM-11-V6xC** // Finish: SM, Smoke

- Dimensions: 32" diameter x 16" h
- 16" star stainless steel burner

MODEL #	DESCRIPTION	NG (Btu)	LP (Btu)
<b>733-xx-11-V6xC</b>	w/ Knob valve	65,000	60,000
<b>733-xx-11-K6xC</b>	w/ Key valve	65,000	60,000
<b>733-xx-11-F6xC</b>	w/ AWEIS valve†	140,000	140,000



### All Weather Electronic Ignition System

All Weather Electronic Ignition System (AWEIS) includes Hot Surface Ignition, on/off remote control and was developed to operate in harsh weather conditions. This is the most reliable ignition system in the industry. (Available on most fire bowl models)

\* Cannot accommodate a Propane tank inside the unit, see page 38 for matching tank housing options.

† Fire Bowls with All Weather Electronic Ignition System (AWEIS) include remote control and require 120V AC power.

See pages 30 - 33 for available media, pages 34, 35, & 38 for accessories and page 39 for finish options.



# Bordeaux, Cannes, & Lyon Fire Bowls



Pictured above: Bordeaux Rectangle Fire Bowl (435-SM-11-V4xC) in Smoke Finish with Lava Granules (LF-10 x 3), Mixed Creekstones (CSTN-20-CG), and Desert Sage Branches (BDS-2).

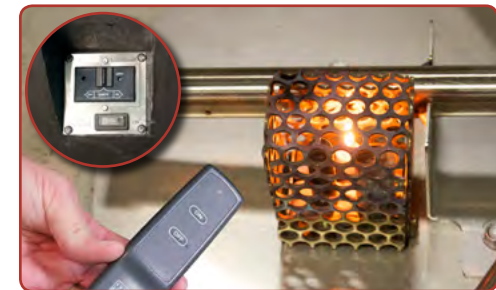


## Bordeaux Rectangle Fire Bowl\*

Model shown: **435-SM-11-V4xC** // Finish: SM, Smoke

- Dimensions: 50" w x 30" d x 16¼" h
- 24" linear stainless steel burner

MODEL #	DESCRIPTION	NG (Btu)	LP (Btu)
<b>435-xx-11-V4xC</b>	w/ Knob valve	60,000	50,000
<b>435-xx-11-K4xC</b>	w/ Key valve	60,000	50,000
<b>435-xx-11-F4xC</b>	w/ AWEIS valve†	90,000	80,000



## All Weather Electronic Ignition System

All Weather Electronic Ignition System (AWEIS) includes Hot Surface Ignition, on/off remote control and was developed to operate in harsh weather conditions. This is the most reliable ignition system in the industry. (Available on Bordeaux Rectangle Fire Bowl only)



### Bordeaux Square Fire Bowl\*

Model shown: **430-CB-11-V6xC** // Finish: CB, Café Blanco

- Dimensions: 36" w x 36" d x 15¼" h
- 16" star stainless steel burner

MODEL #	DESCRIPTION	NG (Btu)	LP (Btu)
<b>430-xx-11-V6xC</b>	w/ Knob valve	65,000	60,000
<b>430-xx-11-K6xC</b>	w/ Key valve	65,000	60,000



### Cannes Round Cone Bowl\*

Model shown: **410-CB-11-V6xC** // Finish: CB, Café Blanco

- Dimensions: 36" diameter x 11¼" h
- 16" star stainless steel burner

MODEL #	DESCRIPTION	NG (Btu)	LP (Btu)
<b>410-xx-11-V6xC</b>	w/ Knob valve	65,000	60,000
<b>410-xx-11-K6xC</b>	w/ Key valve	65,000	60,000



### Lyon Square Pyramid Bowl\*

Model shown: **420-BA-11-V6xC** // Finish: BA, Black Lava

- Dimensions: 36" w x 36" d x 12¾" h
- 16" star stainless steel burner

MODEL #	DESCRIPTION	NG (Btu)	LP (Btu)
<b>420-xx-11-V6xC</b>	w/ Knob valve	65,000	60,000
<b>420-xx-11-K6xC</b>	w/ Key valve	65,000	60,000



### Bordeaux Petite Square Fire Bowl\*

Model shown: **431-SD-11-V6xC** // Finish: SD, Sedona

- Dimensions: 30" w x 30" d x 12¼" h
- 16" star stainless steel burner

MODEL #	DESCRIPTION	NG (Btu)	LP (Btu)
<b>431-xx-11-V6xC</b>	w/ Knob valve	65,000	60,000
<b>431-xx-11-K6xC</b>	w/ Key valve	65,000	60,000



### Cannes Petite Round Cone Bowl\*

Model shown: **411-BA-11-V6xC** // Finish: BA, Black Lava

- Dimensions: 30" diameter x 10" h
- 16" star stainless steel burner

MODEL #	DESCRIPTION	NG (Btu)	LP (Btu)
<b>411-xx-11-V6xC</b>	w/ Knob valve	65,000	60,000
<b>411-xx-11-K6xC</b>	w/ Key valve	65,000	60,000



### Lyon Petite Square Pyramid Bowl\*

Model shown: **421-CB-11-V6xC** // Finish: CB, Café Blanco

- Dimensions: 30" w x 30" d x 10¼" h
- 16" star stainless steel burner

MODEL #	DESCRIPTION	NG (Btu)	LP (Btu)
<b>421-xx-11-V6xC</b>	w/ Knob valve	65,000	60,000
<b>421-xx-11-K6xC</b>	w/ Key valve	65,000	60,000

\*Cannot accommodate a Propane tank inside the unit, see page 38 for matching tank housing options.

† Fire Bowls with All Weather Electronic Ignition System (AWEIS) include remote control and require 120V AC power.

See pages 30 - 33 for available media, pages 34, 35, & 38 for accessories and page 39 for finish options.



# Marseille & Versailles Fire Bowls



Pictured above: 32" Marseille Fire Bowl (753-SD-11-V6xC) in Sedona Finish with Lava Coals (LFC-10).

## Marseille & Versailles Fire Bowls

The Marseille and Versailles Fire Bowls feature a low profile design and a wide opening to accommodate more and varied fire media. Handcrafted from glass fiber reinforced concrete (GFRC), these contemporary Fire Bowls come in a variety of different colors and textures. Fuel options include Natural Gas or Propane.

Three sizes are also available with a water spout to combine running water with dancing flames (plumbing must be locally supplied).

### Feature Highlights

- Contemporary design
- Handcrafted from innovative Glass Fiber Reinforced Concrete (GFRC)
- 16" stainless steel burner
- Optional 110V All Weather Electronic Ignition System (AWEIS) with remote
- Available for Natural Gas or Propane

Also available, not shown:

### 24" Marseille Fire Bowl\*

- Dimensions: 24" diameter x 6½" h
- 12" star stainless steel burner

MODEL #	DESCRIPTION	NG (Btu)	LP (Btu)
<b>755-xx-11-V2xC</b>	w/ Knob valve	60,000	50,000
<b>755-xx-11-K2xC</b>	w/ Key valve	60,000	50,000

### 24" Versailles Fire Bowl\*

- Dimensions: 24" diameter x 9½" h
- 12" star stainless steel burner

MODEL #	DESCRIPTION	NG (Btu)	LP (Btu)
<b>745-xx-11-V2xC</b>	w/ Knob valve	60,000	50,000
<b>745-xx-11-K2xC</b>	w/ Key valve	60,000	50,000



### 48" Marseille Fire Bowl\*

Model shown: **751-CB-11-V6xC** // Finish: CB, Café Blanco

- Dimensions: 48" diameter x 10½" h
- 16" star stainless steel burner
- Available with water spout

MODEL #	DESCRIPTION	NG (Btu)	LP (Btu)
<b>751-xx-11-V6xC</b>	w/ Knob valve	65,000	60,000
<b>751-xx-11-K6xC</b>	w/ Key valve	65,000	60,000
<b>751-xx-80-V6xC</b>	w/ Knob & water spout	65,000	60,000
<b>751-xx-80-K6xC</b>	w/ Key & water spout	65,000	60,000
<b>751-xx-11-F6xC</b>	w/ AWEIS valve†	140,000	140,000



### 40" Marseille Fire Bowl\*

Model shown: **752-SD-11-V6xC** // Finish: SD, Sedona

- Dimensions: 40" diameter x 11" h
- 16" star stainless steel burner
- Available with water spout

MODEL #	DESCRIPTION	NG (Btu)	LP (Btu)
<b>752-xx-11-V6xC</b>	w/ Knob valve	65,000	60,000
<b>752-xx-11-K6xC</b>	w/ Key valve	65,000	60,000
<b>752-xx-80-V6xC</b>	w/ Knob & water spout	65,000	60,000
<b>752-xx-80-K6xC</b>	w/ Key & water spout	65,000	60,000
<b>752-xx-11-F6xC</b>	w/ AWEIS valve†	140,000	140,000



### 32" Marseille Fire Bowl\*

Model shown: **753-SM-11-V6xC** // Finish: SM, Smoke

- Dimensions: 32" diameter x 8½" h
- 16" star stainless steel burner
- Available with water spout

MODEL #	DESCRIPTION	NG (Btu)	LP (Btu)
<b>753-xx-11-V6xC</b>	w/ Knob valve	65,000	60,000
<b>753-xx-11-K6xC</b>	w/ Key valve	65,000	60,000
<b>753-xx-80-V6xC</b>	w/ Knob & water spout	65,000	60,000
<b>753-xx-80-K6xC</b>	w/ Key & water spout	65,000	60,000



### 48" Versailles Fire Bowl\*

Model shown: **741-SD-11-V6xC** // Finish: SD, Sedona

- Dimensions: 48" diameter x 15" h
- 16" star stainless steel burner
- Available with water spout

MODEL #	DESCRIPTION	NG (Btu)	LP (Btu)
<b>741-xx-11-V6xC</b>	w/ Knob valve	65,000	60,000
<b>741-xx-11-K6xC</b>	w/ Key valve	65,000	60,000
<b>741-xx-80-V6xC</b>	w/ Knob & water spout	65,000	60,000
<b>741-xx-80-K6xC</b>	w/ Key & water spout	65,000	60,000
<b>741-xx-11-F6xC</b>	w/ AWEIS valve†	140,000	140,000



### 40" Versailles Fire Bowl\*

Model shown: **742-SM-11-V6xC** // Finish: SM, Smoke

- Dimensions: 40" diameter x 14" h
- 16" star stainless steel burner
- Available with water spout

MODEL #	DESCRIPTION	NG (Btu)	LP (Btu)
<b>742-xx-11-V6xC</b>	w/ Knob valve	65,000	60,000
<b>742-xx-11-K6xC</b>	w/ Key valve	65,000	60,000
<b>742-xx-80-V6xC</b>	w/ Knob & water spout	65,000	60,000
<b>742-xx-80-K6xC</b>	w/ Key & water spout	65,000	60,000
<b>742-xx-11-F6xC</b>	w/ AWEIS valve†	140,000	140,000



### 32" Versailles Fire Bowl\*

Model shown: **743-CB-11-V6xC** // Finish: CB, Café Blanco

- Dimensions: 32" diameter x 11¼" h
- 16" star stainless steel burner
- Available with water spout

MODEL #	DESCRIPTION	NG (Btu)	LP (Btu)
<b>743-xx-11-V6xC</b>	w/ Knob valve	65,000	60,000
<b>743-xx-11-K6xC</b>	w/ Key valve	65,000	60,000
<b>743-xx-80-V6xC</b>	w/ Knob & water spout	65,000	60,000
<b>743-xx-80-K6xC</b>	w/ Key & water spout	65,000	60,000

† Fire Bowls with All Weather Electronic Ignition System (AWEIS) include remote control and require 120V AC power.

\* Cannot accommodate a Propane tank inside the unit, see page 38 for matching tank housing options.



# Lanterns & Fire Urns

## Lanterns & Fire Urns

The versatility of American Fyre Designs' Lanterns and Fire Urns is unmatched. From traditional to contemporary, these unique fire features offer a wide array of design options to any outdoor setting. Several of these can be displayed down a path or placed near a fireplace or other outdoor feature to add sophisticated elegance to your outdoor area.

Made from glass fiber reinforced concrete (GFRC), these fire features come in a variety of different finishes. Fuel options include Natural Gas or self-contained Propane tank.

### Feature Highlights

- Contemporary design
- Handcrafted from innovative Glass Fiber Reinforced Concrete (GFRC)
- Stainless steel burner
- Available for Natural Gas or Propane
- Removable door to house a 5 gal. Propane tank

*Pictured above: Magnolia Lantern (716-BA-11-V1xC) in Black Lava finish.*

*Pictured above: Eclipse Fire Urn (520-WA-11-V2xC) in White Aspen finish with Black Reflective Fyre Glass (GL-xx-BR).*



### Magnolia Lantern

Model shown: **716-BA-11-V1xC** // Finish: BA, Black Lava

- Dimensions: 16" w x 16" d x 66" h
- Accepts a 5 gal. LP tank inside the unit (not included)

MODEL #	DESCRIPTION	NG (Btu)	LP (Btu)
<b>716-xx-11-V1xC</b>	w/ Knob valve	30,000	20,000
<b>716-xx-11-K1xC</b>	w/ Key valve	30,000	20,000



### Nest Lantern

Model shown: **715-CB-11-V1xC** // Finish: CB, Café Blanco

- Dimensions: 16" w x 16" d x 66" h
- Accepts a 5 gal. LP tank inside the unit (not included)

MODEL #	DESCRIPTION	NG (Btu)	LP (Btu)
<b>715-xx-11-V1xC</b>	w/ Knob valve	30,000	20,000
<b>715-xx-11-K1xC</b>	w/ Key valve	30,000	20,000



### Amphora Fire Urn

Model shown: **660-SD-11-V2xC** // Finish: SD, Sedona

- Dimensions: 22" diameter x 29" h
- 12" star stainless steel burner
- Accepts a 5 gal. LP tank inside the unit (not included)

MODEL #	DESCRIPTION	NG (Btu)	LP (Btu)
<b>660-xx-11-V2xC</b>	w/ Knob valve	60,000	50,000
<b>660-xx-11-K2xC</b>	w/ Key valve	60,000	50,000



### Eclipse Fire Urn

Model shown: **520-SM-11-V2xC** // Finish: SM, Smoke

- Dimensions: 23" diameter x 37½" h
- 12" star stainless steel burner
- Available with or without access door for LP tank

MODEL #	DESCRIPTION	NG (Btu)	LP (Btu)
<b>520-xx-11-V2xC</b>	w/ Knob valve & door	60,000	50,000
<b>520-xx-11-K2xC</b>	w/ Key valve & door	60,000	50,000
<b>520-xx-10-V2NC</b>	w/ Knob valve	60,000	--
<b>520-xx-10-K2NC</b>	w/ Key valve	60,000	--



### Piage Fire Urn & Pedestal

Model shown: **765-SD-11-V2xC** // Finish: SD, Sedona

- Dimensions: 26" w x 19" d x 58" h
- 12" star stainless steel burner
- Accepts a 5 gal. LP tank inside the unit (not included)

MODEL #	DESCRIPTION	NG (Btu)	LP (Btu)
<b>765-xx-11-V2xC</b>	w/ Knob valve	60,000	50,000
<b>765-xx-11-K2xC</b>	w/ Key valve	60,000	50,000



### Wave Fire Urn

Model shown: **530-BA-11-V2xC** // Finish: BA, Black Lava

- Dimensions: 20" diameter x 37½" h
- 12" star stainless steel burner
- Available with or without access door for LP tank

MODEL #	DESCRIPTION	NG (Btu)	LP (Btu)
<b>530-xx-11-V2xC</b>	w/ Knob valve & door	60,000	50,000
<b>530-xx-11-K2xC</b>	w/ Key valve & door	60,000	50,000
<b>530-xx-10-V2xC</b>	w/ Knob valve	60,000	--
<b>530-xx-10-K2xC</b>	w/ Key valve	60,000	--



# Louvre Fire Pits



*Pictured above: Louvre Long Rectangle Fire Pit (688-CB-11-V8xC) in Café Blanco Finish with Lava Granules (LF-10 x 4) and Mixed Creekstones (CSTN-20-CG).*



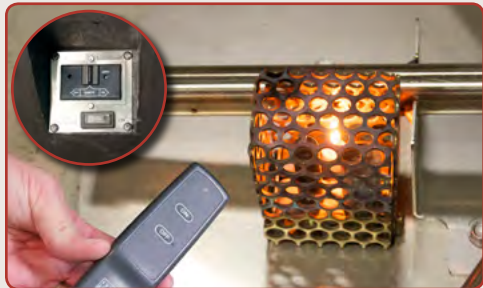
## Louvre Fire Pits

The Louvre Series of Fire Pits brings a sleek, contemporary look to the classic outdoor fire pit. With options such as glass, creekstones, lava coals, or campfire logs, these fire pits can enhance any backyard.

Made from glass fiber reinforced concrete (GFRC), these fire pits come in a variety of different colors. Fuel options include Natural Gas or Propane.

### Feature Highlights

- Handcrafted from innovative Glass Fiber Reinforced Concrete (GFRC)
- Simple design for contemporary décor
- Stainless steel burner
- Optional 110V All Weather Electronic Ignition System (AWEIS) with remote
- Available for Natural Gas or Propane (Propane models, see page 38 for tank housing options)



### All Weather Electronic Ignition System

All Weather Electronic Ignition System (AWEIS) includes Hot Surface Ignition, on/off remote control and was developed to operate in harsh weather conditions. This is the most reliable ignition system in the industry.

## Louvre Long Rectangle Fire Pit

Model shown: **688-CB-11-V8xC** // Finish: CB, Café Blanco

- Dimensions: 72" w x 30" d x 15¼" h
- 48" linear stainless steel burner

MODEL #	DESCRIPTION	NG (Btu)	LP (Btu)
<b>688-xx-11-V8xC</b>	w/ Knob valve	65,000	65,000
<b>688-xx-11-K8xC</b>	w/ Key valve	65,000	65,000
<b>688-xx-11-F8xC</b>	w/ AWEIS valve†	120,000	110,000



## Louvre Rectangle Fire Pit

Model shown: **689-BA-11-V7xC** // Finish: BA, Black Lava

- Dimensions: 56" w x 30" d x 15¼" h
- 36" linear stainless steel burner

MODEL #	DESCRIPTION	NG (Btu)	LP (Btu)
<b>689-xx-11-V7xC</b>	w/ Knob valve	65,000	65,000
<b>689-xx-11-K7xC</b>	w/ Key valve	65,000	65,000
<b>689-xx-11-F7xC</b>	w/ AWEIS valve†	100,000	90,000



## Louvre Round Fire Pit

Model shown: **686-CB-11-V6xC** // Finish: CB, Café Blanco

- Dimensions: 48" diameter x 15¼" h
- 16" star stainless steel burner

MODEL #	DESCRIPTION	NG (Btu)	LP (Btu)
<b>686-xx-11-V6xC</b>	w/ Knob valve	65,000	60,000
<b>686-xx-11-K6xC</b>	w/ Key valve	65,000	60,000
<b>686-xx-11-F6xC</b>	w/ AWEIS valve†	140,000	140,000

† Fire Pits with All Weather Electronic Ignition System (AWEIS) include remote control and require 120V AC power.

See pages 30 - 33 for available media, pages 34, 35, & 38 for accessories and page 39 for finish options.



# Fire Pits



*Pictured above: Contractor's Model Fire Pit (685-CB-11-V6xC) in Café Blanco Finish w/stone veneer.*

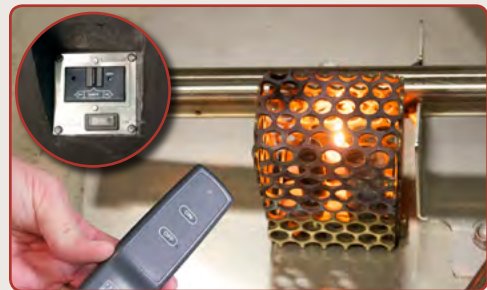


## Fire Pits

Our artistically-designed fire pits add style and design to the classic outdoor fire pit. The Chiseled Fire Pit has a rough hewn concrete exterior and smooth rim around the top. The El Dorado Fire Pit has a smooth concrete exterior and smooth rim around the top. The Contractor's Model comes as a blank slate for you to customize and design your way by adding your own stone, tile, or other veneer. Made from glass fiber reinforced concrete (GFRC), these fire pits come in a variety of different colors. Fuel options include Natural Gas or Propane.

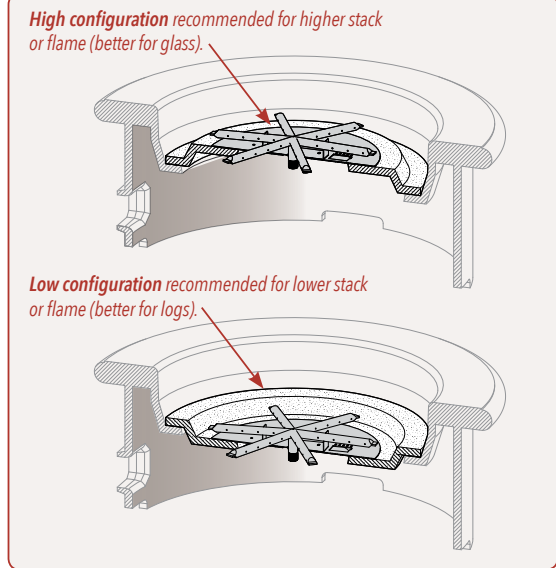
### Feature Highlights

- Handcrafted from innovative Glass Fiber Reinforced Concrete (GFRC)
- 16" stainless steel burner
- New "reversible floor" design to suit your décor needs
- Optional 110V All Weather Electronic Ignition System (AWEIS) with remote
- Available for Natural Gas or Propane (Propane models, see page 38 for tank housing options)



All Weather Electronic Ignition System

### "Reversible Floor"



### Chiseled Fire Pit

Model shown: **680-SD-11-V6xC** // Finish: SD, Sedona

- Dimensions: 39" diameter x 14½" h
- 16" star stainless steel burner
- Reversible floor to accommodate multiple of media

MODEL #	DESCRIPTION	NG (Btu)	LP (Btu)
<b>680-xx-11-V6xC</b>	w/ Knob valve	65,000	60,000
<b>680-xx-11-K6xC</b>	w/ Key valve	65,000	60,000
<b>680-xx-11-F6xC</b>	w/ AWEIS valve†	140,000	140,000

† Fire Pits with All Weather Electronic Ignition System (AWEIS) include remote control and require 120V AC power.

See pages 30 - 33 for available media, pages 34, 35, & 38 for accessories and page 39 for finish options.



### Contractor's Model Fire Pit

Model shown: **685-CB-11-V6xC** // Finish: CB, Café Blanco

- Dimensions: 39" diameter x 14½" h
- 16" star stainless steel burner
- Add your own stone veneer for a custom look
- Reversible floor to accommodate multiple of media

MODEL #	DESCRIPTION	NG (Btu)	LP (Btu)
<b>685-xx-11-V6xC</b>	w/ Knob valve	65,000	60,000
<b>685-xx-11-K6xC</b>	w/ Key valve	65,000	60,000
<b>685-xx-11-F6xC</b>	w/ AWEIS valve†	140,000	140,000



### El Dorado Fire Pit

Model shown: **681-CB-11-V6xC** // Finish: CB, Café Blanco

- Dimensions: 39" diameter x 14½" h
- 16" star stainless steel burner
- Reversible floor to accommodate multiple of media

MODEL #	DESCRIPTION	NG (Btu)	LP (Btu)
<b>681-xx-11-V6xC</b>	w/ Knob valve	65,000	60,000
<b>681-xx-11-K6xC</b>	w/ Key valve	65,000	60,000
<b>681-xx-11-F6xC</b>	w/ AWEIS valve†	140,000	140,000



# Glass Media





## Fyre Glass



**Azuria**  
#GL-xx-F



**Black**  
#GL-xx-B



**Bronze**  
#GL-xx-Z



**Caribbean Blue**  
#GL-xx-N



**Clear**  
#GL-xx-C



**Emerald**  
#GL-xx-E



**Star Fyre**  
#GL-xx-W

## Reflective Fyre Glass



**Azuria Reflective**  
#GL-xx-FR



**Black Reflective**  
#GL-xx-BR



**Bronze Reflective**  
#GL-xx-ZR



**Caribbean Blue Reflective**  
#GL-xx-NR



**Copper Reflective**  
#GL-xx-QR



**Emerald Reflective**  
#GL-xx-ER



**Gold Reflective**  
#GL-xx-HR



**Champagne Reflective**  
#GL-xx-CR

## Fyre Gems



**Black Granite**  
#GLG-xx-B



**Black Pearl**  
#GLG-xx-J



**Blue Topaz**  
#GLG-xx-T



**Champagne**  
#GLG-xx-D



**Deep Amber**  
#GLG-xx-A



**Emerald**  
#GLG-xx-E



**Glacier**  
#GLG-xx-C



**Sapphire**  
#GLG-xx-S



**Ruby**  
#GLG-xx-RY

## Diamond Nuggets



**Clear**  
#GLD-xx-C



**Steel Blue**  
#GLD-xx-SB



**Rosé**  
#GLD-xx-R



**Emerald**  
#GLD-xx-E



**Pacific Blue**  
#GLD-xx-PB



**Deep Black**  
#GLD-xx-DB



**Black Luster**  
#GLD-xx-BL

Due to the manufacturing process, glass color shade and density will vary.



# Gas Logs, Stones, & Lava Media



Shown: CHD-24

**Charred Oak (Vented)\***  
Model: **CHD-xx**



Shown: CHFR-24

**Charred Frontier Oak (Vent-Free)\***  
Model: **CHFR-xx**



**Back Country Oak**  
Model: **BCO-27**



**Desert Sage**  
Model: **DS-27**



Shown: G45-24-NA-SS

**G45 S.S. Vented Gas Log Burner\***

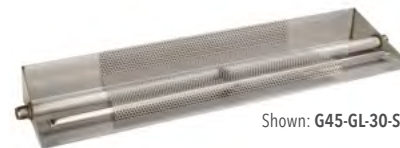
Model #	Description
<b>G45-xx-SS</b>	Match-Lit (NG only)
<b>G45-xx-N(P)A-SS</b>	w/ Assembled Valve



Shown: G10-24/30-SS

**G10 S.S. Vent-Free Gas Log Burner\***

Model #	Description
<b>G10-xx(P)-SS</b>	Manual
<b>G10-xx-12(P)-SS</b>	w/ ON/OFF Remote
<b>G10-xx-15(P)-SS</b>	w/ Variable Remote
<b>G10-xx-01V(P)-SS</b>	w/ Electronic Remote



Shown: G45-GL-30-SS

**G45 S.S. Vented Glass Burner\***

Model #	Description
<b>G45-GL-xx-SS</b>	Match-Lit (NG only)
<b>G45-GL-xx-N(P)A-SS</b>	w/ Assembled Valve



Shown: G21-GL-24-12

**G21 Contemporary Vent-Free Burner\***

Model #	Description
<b>G21-GL-xx-12(P)</b>	w/ ON/OFF Remote
<b>G21-GL-xxG-12(P)</b>	w/ ON/OFF Remote & Gold Trim

*Accommodates Fyre Glass & Fyre Gems only.*

\*Gas log sets and Burner Kits are available in multiple sizes and are to be used **with Fireplaces only.**





**Prairie Oak**  
Model: **PRO-27**



**Beachwood Logs w/ Stones**  
Model: **OCBW-34**



**Campfire Logs w/ Wood Chips**  
Model: **OCL-34**



**36-pc. Wood Chunks**  
Model: **WCD-36**



**Charred Branches**  
Model: **BDC-4**



**Desert Sage Branches**  
Model: **BDS-2**



**10-pc. River Rock Fyre Stones**  
Model: **STN-10**



**20-pc. Designer River Rock Fyre Stones**  
Model: **STN-20**



**Creekstones, Greige**  
20 lbs. (Approx. 140 pcs.)  
Model: **CSTN-20-G**



**Creekstones, Cloud**  
20 lbs. (Approx. 140 pcs.)  
Model: **CSTN-20-C**



**Creekstones, Mixed**  
20 lbs. (Approx. 140 pcs.)  
Model: **CSTN-20-CG**



**Creekstones, Black**  
20 lbs. (Approx. 140 pcs.)  
Model: **CSTN-20-B**



**Volcanic Stones**  
Model: **VS-25**



**Lava Coals**  
Model: **LFC-10**



**Lava Granules**  
Model: **LF-10**



# Protective Covers

## Fabric Covers

Manufactured with a heavy duty, multi-layer PVC exterior, these covers are custom fit for selected Firetables, Fire Bowls, Fire Urns and the Nest Lantern. The black PVC material has been tested and proven for color-fastness.

### Additional Fabric Covers (not pictured)

Model:	Compatible with:
<b>8133A</b>	Amphora Fire Urn
<b>8139A</b>	Contempo Rectangle Firetable
<b>8144A</b>	Milan Linear Firetable
<b>8146A</b>	Contempo Square Firetable
<b>8148A</b>	Bordeaux Rectangle Fire Bowl
<b>8149A</b>	Louvre Long Rectangle Fire Pit
<b>8150A</b>	Louvre Rectangle Fire Pit
<b>5110-13-20</b>	5 gallon Propane Tank

## GFRC Covers

Manufactured out of the same Glass Fiber Reinforced Concrete (GFRC), these protective covers are designed to fit over the firetable opening protecting the burner assembly against wind and rain. They also provide additional table surface when the burner is not in use.

### Additional GFRC Covers (not pictured)

Model:	Compatible with:
<b>8105-xx</b>	Contempo Round Firetable
<b>8106-xx</b>	Amphora Fire Urn
<b>8108-xx</b>	Piage Fire Urn
<b>8123-xx</b>	Cosmo Square Dining Firetable
<b>8125-xx</b>	Contempo Square Firetable

## Fabric Covers



### 48" Round Firetable Cover

Model: **8135A**

#### Compatible with:

- Amphora Firetable
- Inverted Firetable
- Cosmopolitan Round Firetable
- 48" Fire Bowl



### 54"/60" Round Firetable Cover

Model: **8131A**

#### Compatible with:

- Chat Height Octagon Firetable
- Fiesta Firetables
- Inverted Dining Firetable
- Versailles Firetable



### 36" Square Firetable Cover

Model: **8132A**

#### Compatible with:

- Cosmopolitan Square Firetable
- Voro Firetable
- Bordeaux Square Fire Bowls
- Lyon Square Pyramid Fire Bowls



### Rectangular Firetable Covers

Model shown: **8136A**

Model: **8136A**

#### Compatible with:

- Rectangular Firetable

Model: **8138A**

#### Compatible with:

- Cosmopolitan Rectangle Firetable



### Fire Urn Cover

Model: **8141A**

#### Compatible with:

- Piage Fire Urn
- Eclipse Fire Urn
- Wave Fire Urn



### Lantern Cover

Model: **8134A**

#### Compatible with:

- Nest Lantern
- Magnolia Lantern

## Fabric Covers



**60" Square Firetable Cover**  
Model: **8137A**

**Compatible with:**

- Cosmopolitan Square Dining Firetables



**40" Fire Bowl/Fire Pit Cover**  
Model: **8140A**

**Compatible with:**

- 36" Fire Bowl
- 40" Versailles Fire Bowl
- 40" Marseille Fire Bowl
- Cannes Rd. Cone Bowl
- Chiseled Fire Pit
- El Dorado Fire Pit
- Contractor's Mdl. Fire Pit



**48" Round Firetable/Bowl Cover**  
Model: **8143A**

**Compatible with:**

- Contempo Round Firetable
- Lotus Firetable
- 48" Versailles Fire Bowl
- 48" Marseille Fire Bowl
- Louvre Round Fire Pit



**32" Fire Bowl Cover**  
Model: **8142A**

**Compatible with:**

- 32" Fire Bowl
- 32" Versailles Fire Bowl
- 32" Marseille Fire Bowl
- Cannes Petite Round Cone Bowl

## GFRC Covers



**Reclaimed Wood GFRC Covers**  
Model shown: **8120-FO**

Model:	Compatible with:
<b>8100-FO (-SP)</b>	• Cosmo Round Firetable
<b>8105-FO (-SP)</b>	• Contempo Round Firetable
<b>8110-FO (-SP)</b>	• Cosmo Rectangle Firetable
<b>8120-FO (-SP)</b>	• Cosmo Square Firetable
<b>8123-FO (-SP)</b>	• Cosmo Sq. Dining Firetable
<b>8125-FO (-SP)</b>	• Contempo Square Firetable

Reclaimed Wood Finishes:  
French Barrel Oak (**FO**) and Silver Pine (**SP**)



**Square GFRC Covers**  
Model shown: **8120-SM**

Model: **8120-xx**  
**Compatible with:** Cosmo Square Firetable

Model: **8122-xx**  
**Compatible with:** Voro Firetable

Model: **8125-xx**  
**Compatible with:** Contempo Square Firetable



**Round GFRC Cover**  
Model shown: **8100-CB**

**Compatible with:**

- Chat Height Octagon Firetable
- Fiesta Firetables
- Inverted Firetables
- Amphora Firetable
- Cosmopolitan Round Firetable



**Rectangular GFRC Cover**  
Model shown: **8110-SD**

**Compatible with:**

- Cosmopolitan Rectangle Firetable
- Contempo Rectangle Firetable

Photographs of the protective covers shown are not to scale or in proportion.



# Fireplace Accessories

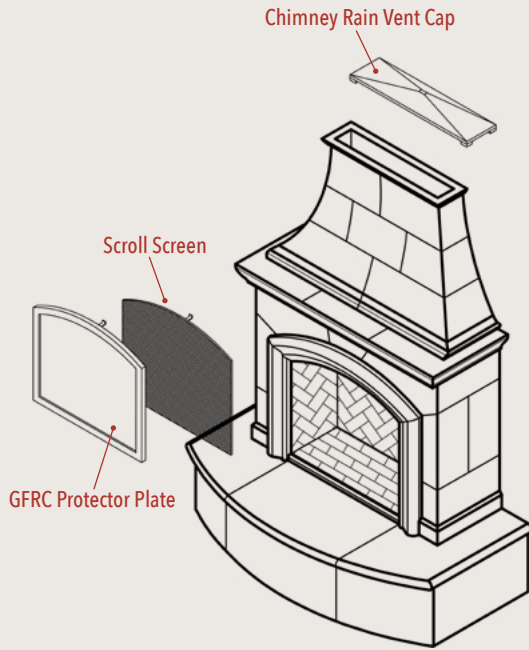


*Pictured above: Black Scroll Screen (8255-BL) on Grand Cordova Fireplace (882-35-H-CB-xxC) with 24" Charred Majestic Oak (CHMJ-24) log set.*



# Fireplace Accessories

Complement your fireplace with optional accessories custom made for each fireplace model. From Chimney Rain Vent Caps to Mesh Screens featuring Wrought Iron Scroll accents as well as GFRG Protector Plates, each accessory is expertly crafted with the same attention to detail and care as our fireplaces.



**GFRG Protector Plate**  
Model shown: **8210-CB**

- Compatible with:**
- Cordova
  - Reduced Cordova
  - Grand Cordova



**GFRG Protector Plate**  
Model shown: **8205-CB**

- Compatible with:**
- Petite Cordova
  - Grand Petite Cordova



**GFRG Protector Plate**  
Model shown: **8200-CB**

- Compatible with:**
- Phoenix
  - Grand Phoenix
  - Mariposa
  - Grand Mariposa



**Black Scroll Screen**  
Model shown: **8255-BL**

- Model: 8255-BL**
- Compatible with:**
- Cordova
  - Reduced Cordova
  - Grand Cordova

- Model: 8253-BL**
- Compatible with:**
- Petite Cordova
  - Grand Petite Cordova



**Arched Black Scroll Screen**  
Model shown: **8250-BL**

- Compatible with:**
- Phoenix
  - Grand Phoenix
  - Mariposa
  - Grand Mariposa



**Chimney Rain Vent Cap**  
Model shown: **8023RV-CB**

- Multiple models available to fit most American Fyre Designs™ fireplaces.**



# Glass Wind Guards, Tank/End Tables, & Extension Hose



**Square Glass Wind Guard**  
Model shown: **8202-WG**

Model: **8202-WG**

**Compatible with:**

- Cosmopolitan Square Firetable
- Voro Firetable
- Contempo Square Firetable

Model: **8210-WG**

**Compatible with:**

- Cosmo Square Dining Firetables



**Round Glass Wind Guard**  
Model: **8208-WG**

**Compatible with:**

- All Round Firetables (excluding Versailles)



**Rectangular Glass Wind Guard**  
Model: **8204-WG**

**Compatible with:**

- Cosmopolitan Rectangle Firetable
- Contempo Rectangle Firetable



**Firefall Glass Wind Guard**  
Model shown: **8206-WG**

Model: **8206-WG**

**Compatible with Large Firefalls**

Model: **8205-WG**

**Compatible with Small Firefalls**



**Reclaimed Wood Contempo Tank/End Table**  
Model shown: **8510-BA-FO**

- Dimensions: 17" dia. x 19¼" h
- Top shown: FO, French Barrel Oak



**Contempo Tank/End Table**  
Model shown: **8510-SD**

- Dimensions: 17" dia. x 19¼" h
- Finish shown: SD, Sedona



**Amphora Tank/End Table**  
Model shown: **8500-CB**

- Dimensions: 24" dia. x 19¼" h
- Finish shown: CB, Café Blanco



**Rain Drum Tank/End Table**  
Model shown: **8199-SM**

- Dimensions: 21¾" dia. x 22¼" h
- Finish shown: SM, Smoke

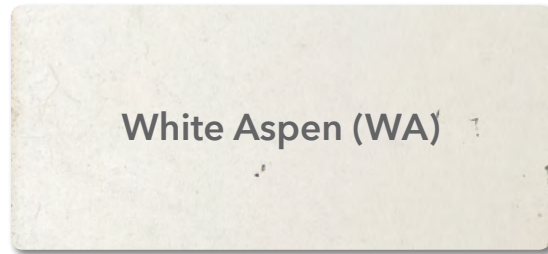


**10 ft. Propane Extension Hose**  
Model: **5110-26**

- Compatible with all L.P. units

*Note: Top also available in Silver Pine (SP) finish (model #: **8510-BA-SP**); base in Black Lava (BA) finish only.*

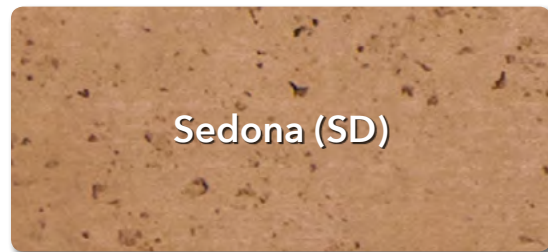
## GFRC Finishes



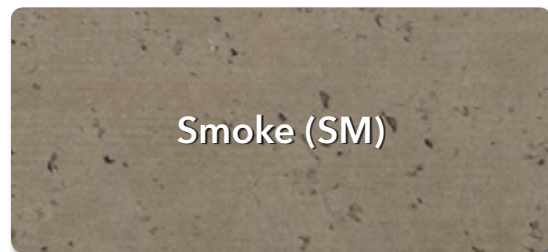
White Aspen (WA)



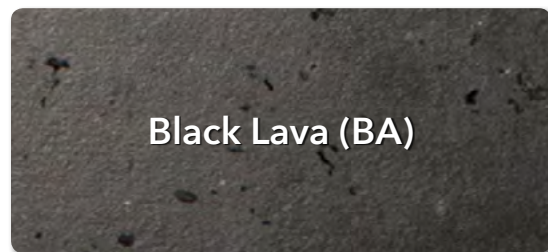
Café Blanco (CB)



Sedona (SD)

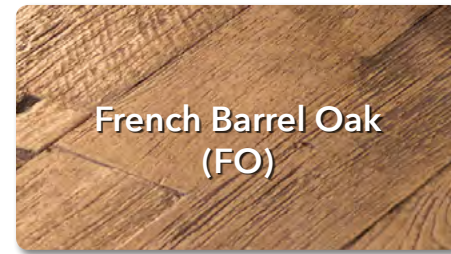


Smoke (SM)



Black Lava (BA)

## Table Top Options



French Barrel Oak (FO)



Silver Pine (SP)

## Firefall Wall Option



Earth-tone Small Pebbles (52)

Note: American Fyre Designs™ products are individually handcrafted and finishes shown are subject to slight texture and color variation.

PRODUCT DESCRIPTION	GFRC FINISHES	TABLE TOP/MANTEL OPTIONS		WALL OPTION
		FRENCH BARREL OAK	SILVER PINE	ARTISAN GLASS
<b>FIREPLACES</b>				
Cordova	●			
Reduced Cordova	●			
Petite Cordova	●			
Grand Cordova	●			
Grand Petite Cordova	●			
Phoenix	●			
Grand Phoenix	●			
Mariposa	●			
Grand Mariposa	●			
Manhattan	●			
Brooklyn	Concrete Grey	● (Mantel)	● (Mantel)	
Brooklyn Smooth		● (Mantel)	● (Mantel)	
Contractor's Model	White Concrete			
Contractor's Model w/ Moulding				
<b>FIREFALLS</b>				
Large	●			●
Small	●			●
<b>FIRETABLES</b>				
Amphora	●			
Calais Oval	●			
Contempo*	●	●	●	
Cosmopolitan*	●	●	●	
Fiesta	●			
Inverted	●			
Lotus	●			
Milan Linear	●			
Octagon	●			
Versailles	●			
Voro	●			
<b>FIRE BOWLS</b>				
Fire Bowls	●			
Versailles	●			
Marseille	●			
Cannes Cone	●			
Lyon Pyramid	●			
Bordeaux	●			
Reclaimed Wood Bordeaux		●	●	
<b>FIRE PITS</b>				
Chiseled	●			
El Dorado	●			
Contractor's Model	●			
Louvre	●			
<b>FIRE URNS &amp; LANTERN</b>				
Amphora	●			
Piage Fire Urn & Pedestal	●			
Eclipse	●			
Wave	●			
Nest Lantern	●			
Magnolia Lantern	●			

\*Bases on Reclaimed Wood Firetables are available in Black Lava (BA) finish only.



## AMERICAN FYRE DESIGNS™ LIMITED WARRANTY HIGHLIGHTS

### THREE (3) YEAR WARRANTY

AMERICAN FYRE DESIGNS™ EXTERIOR (GFRC) FIRE FEATURES AND ACCESSORIES ARE WARRANTED FOR **THREE (3) YEARS**

### ONE (1) YEAR WARRANTY

ALL AMERICAN FYRE DESIGNS™ VALVES, BURNERS, ELECTRICAL COMPONENTS, AND CONTROLS (EXCLUDING BATTERIES) ARE WARRANTED FOR **ONE (1) YEAR**

*THIS WARRANTY APPLIES TO THE ORIGINAL PURCHASER WITH INVOICE OR PROOF OF PURCHASE AND TO SINGLE FAMILY RESIDENTIAL USE ONLY. FOR ADDITIONAL INFORMATION REGARDING THIS WARRANTY, OR TO PLACE A WARRANTY CLAIM CONTACT YOUR AUTHORIZED AMERICAN FYRE DESIGNS™ DEALER*

*Diagrams, illustrations and photographs are not to scale – consult installation instructions.*

*Product designs, materials, dimensions, specifications, colors and prices are subject to change or discontinuance without notice.*



14724 Proctor Ave • City of Industry, CA 91746

Phone (626) 369-5085 • Fax (626) 369-5979

[www.americanfyredesigns.com](http://www.americanfyredesigns.com)