

FOR USE ON: REFLECTIVE LINER KITS

INSTRUCTIONS MUST BE LEFT WITH THE OWNER FOR FUTURE REFERENCE AFTER INSTALLATION.

REFLECTIVE LINER KITS	
VFLB60FP90(N,P)-1	VFLB72FP90(N,P)-1
VBP60LSS-1 Stainless Steel	VBP72LSS-1 Stainless Steel
VBP60LKR-1 Black Reflective	VBP72LBKR-1 Black Reflective

1. Remove barrier screen assembly from fireplace by lifting up, slightly and pulling out. **See Figure 1.**
3. Remove the glass panels around burner. Set aside. **See Figure 2.**

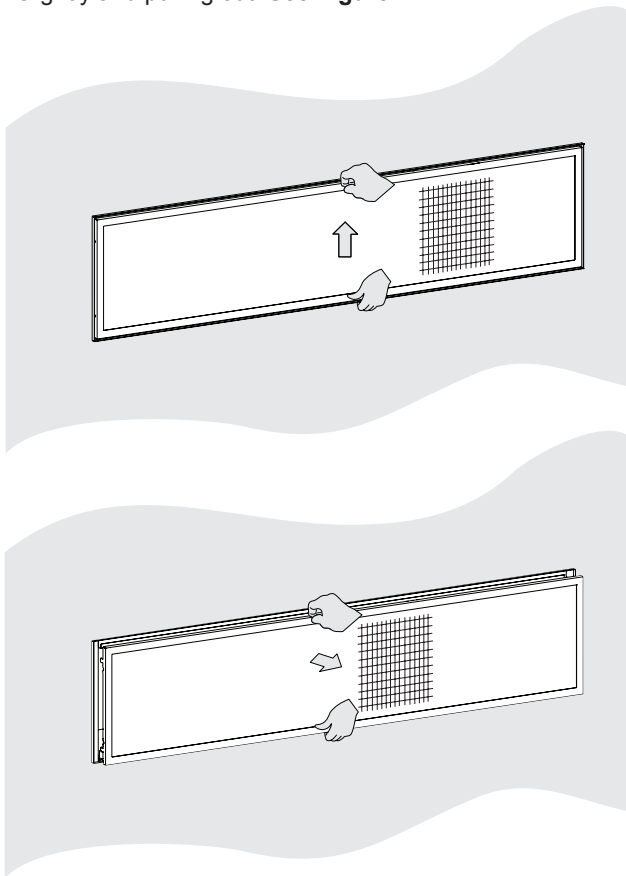


Figure 1

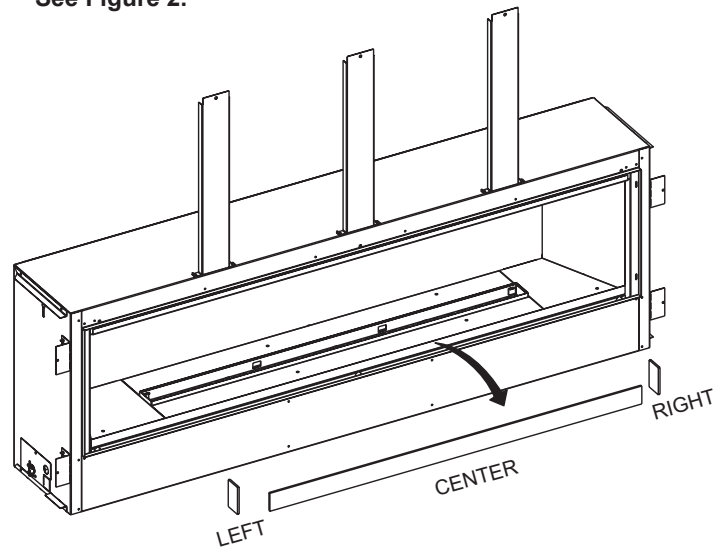


Figure 2

3. Remove the burner glass support screens by lifting them up and out. Set aside. **See Figure 3.**

4. Remove the reflective burner cover assembly by lifting it up and out. Set aside. **See Figure 4.**

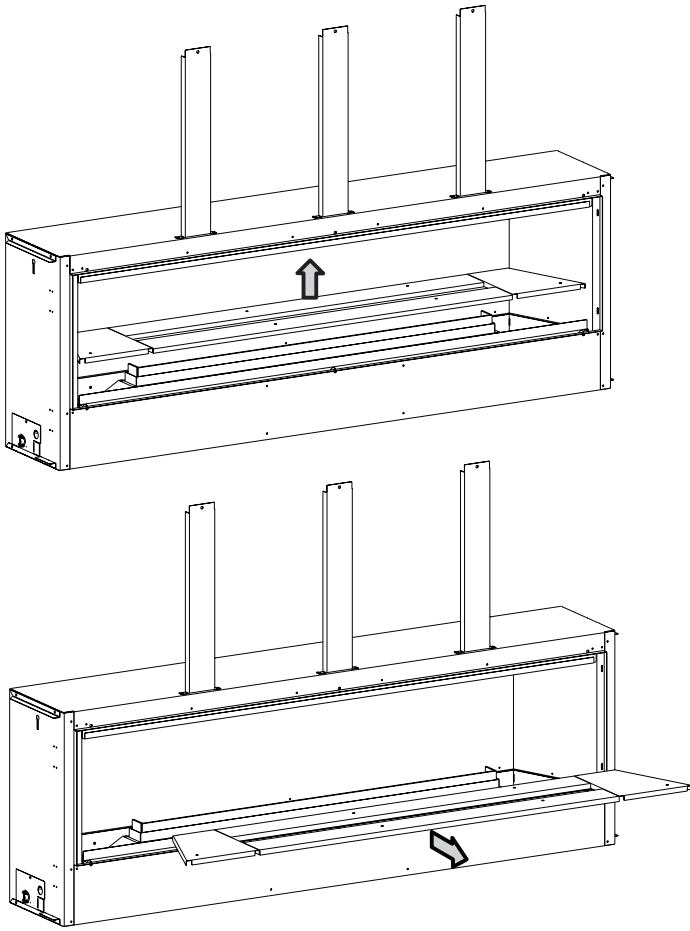


Figure 3

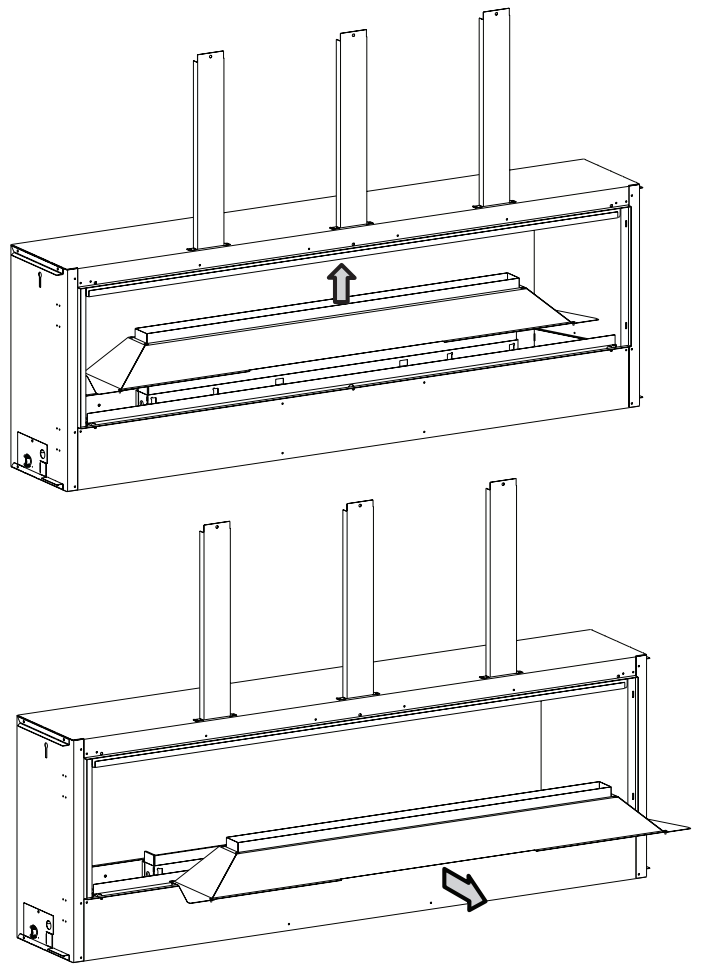


Figure 4

5. Remove the inner firebox top by removing five Phillips Truss Head Screws. Set aside. See Figure 5.

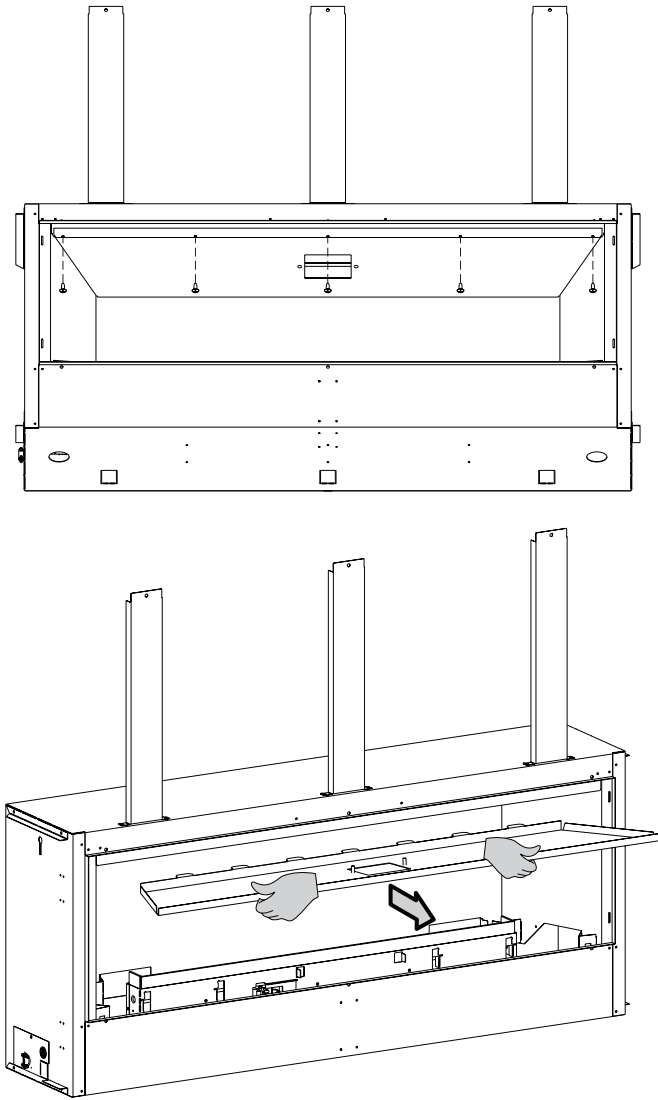


Figure 5

NOTE: If a decorative front will be installed, install it at this time. Refer to the instructions provided with the decorative front kit.

STAINLESS LINERS

Note for VBP(60,72)LSS Liners: Remove plastic coating protecting stainless steel parts before installing. Use stainless steel cleaner to remove manufacturing marks or fingerprints.

6. Place the back liner into the firebox. The liner will rest on the rear LED reflector. Secure with 5 #8 x 1/2 Phillips screws. See Figure 6.

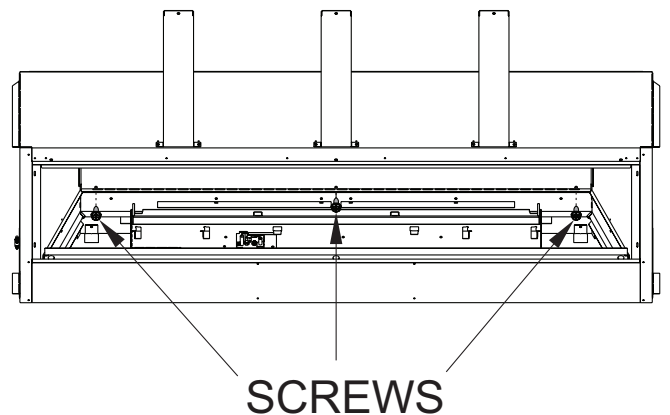
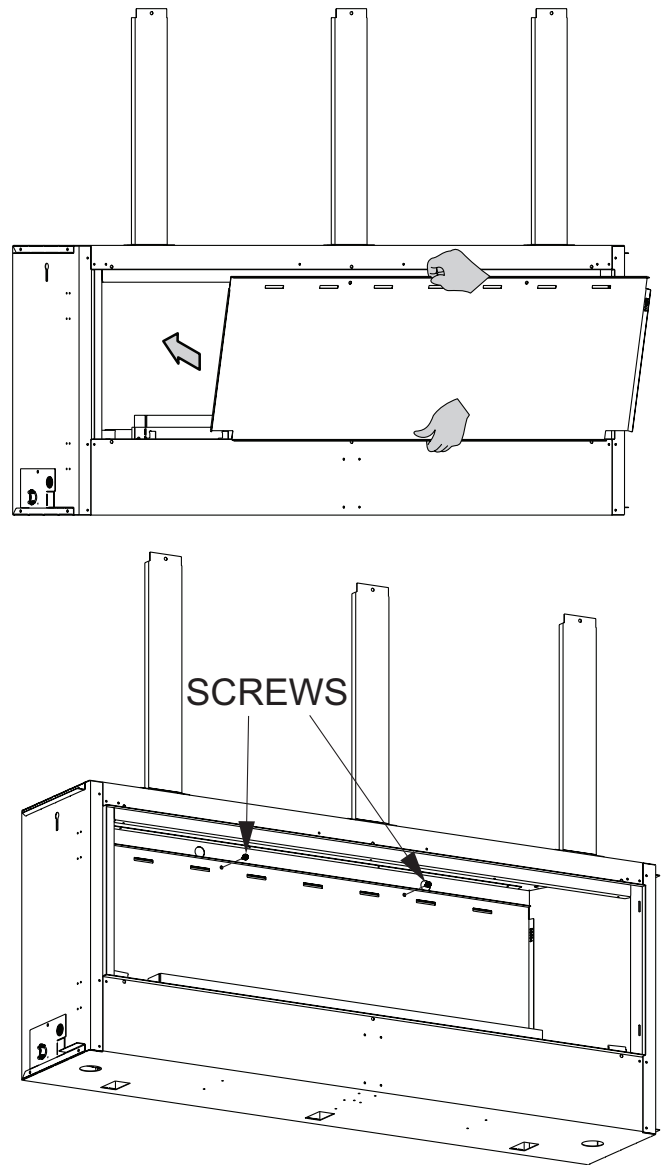


Figure 6

7. Place the left liner on the left side of the firebox. Angle liner up into place and allow bottom to rest on the left LED reflector. Secure the liner with one #8 X ½ Phillips screw. See Figure 7.

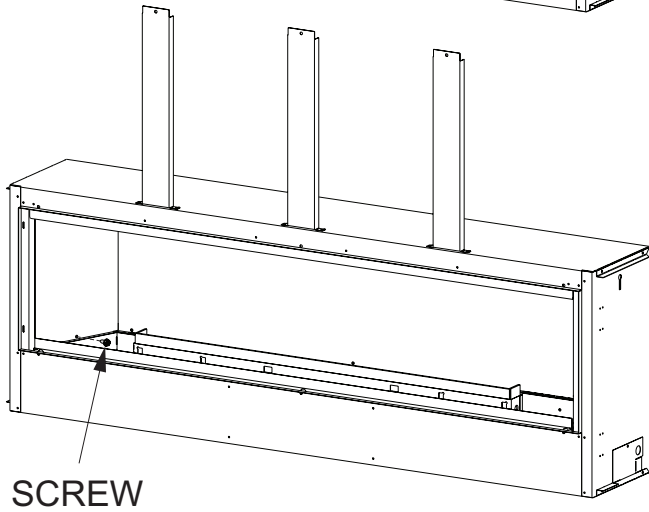
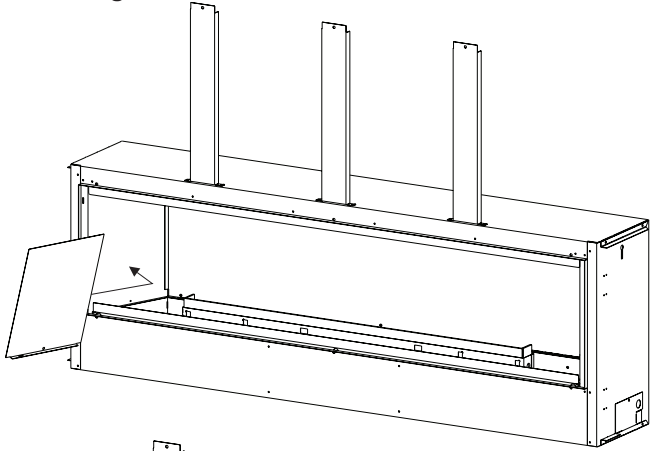


Figure 7

8. Place the right liner on the right side of the firebox. Angle liner up into place and allow bottom to rest on the right LED reflector. Secure the liner with one #8 x ½ Phillips screw. See Figure 8.

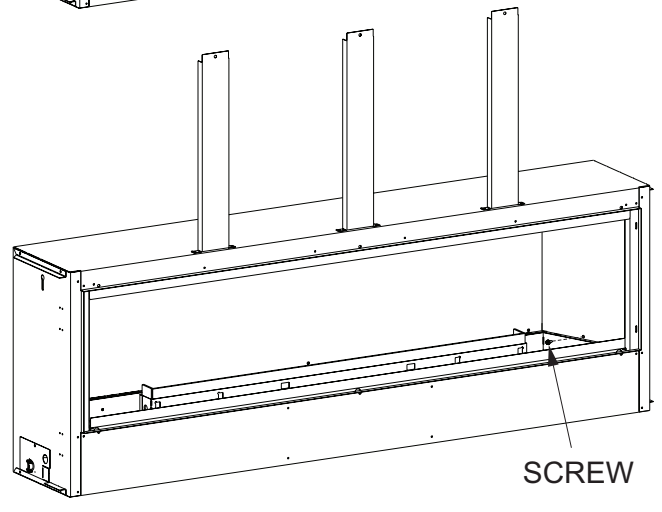
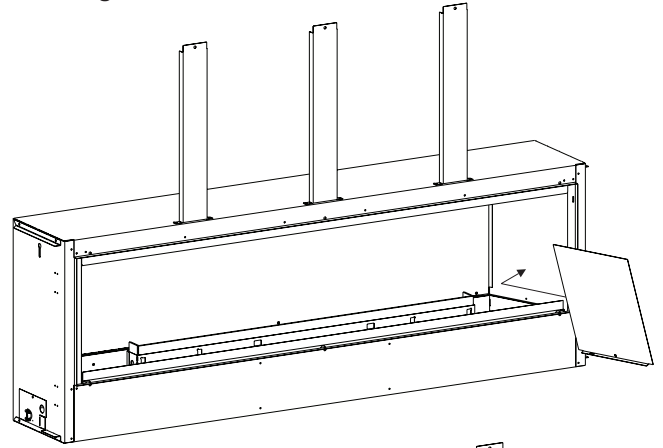


Figure 8

BLACK REFLECTIVE

9. Angle the rear glass liner onto the lip of the rear LED reflector and lean against rear wall to keep liner from falling forward. Reflective liner side should be visible.
10. Angle the left glass liner on the left LED reflector with reflective side visible. Temporarily support liner.
11. Angle the right glass liner on the right LED reflector with reflective side visible. Temporarily support liner.

STAINLESS LINERS AND BLACK REFLECTIVE

12. Secure the liners in place by reinstalling the inner firebox top and five screws removed in Step 5. See Figures 5 and 9.

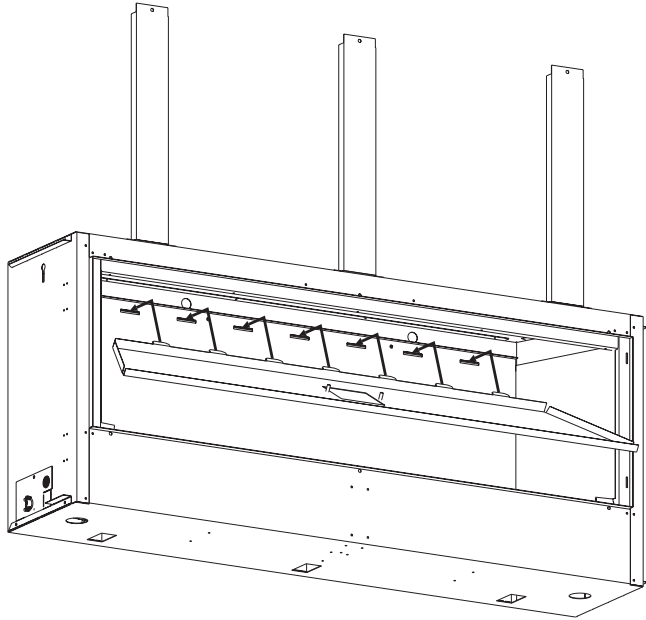


Figure 9

13. Reinstall the reflective burner cover assembly removed in Step 4. See Figure 4.
14. Reinstall the glass support screens removed in step 3. See Figure 10.

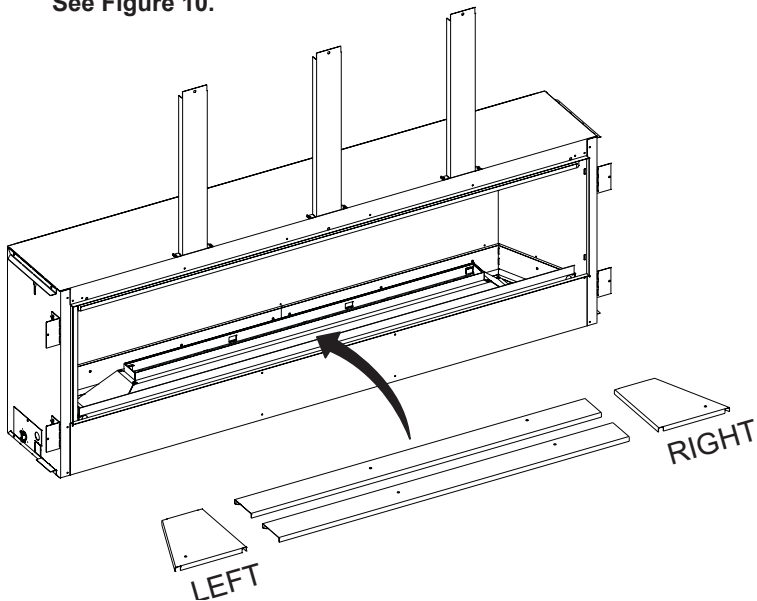


Figure 10

15. Reinstall glass panels removed in Step 2. See Figure 2. **NOTE:** Verify glass panels are level.
16. Install crushed glass media. Refer to the installation instructions provided with the fireplace.
17. Reinstall the Barrier Screen onto the fireplace by lining up the tabs with the slots in the firebox. Push the barrier screen toward the unit and lower it slightly to lock in place it. See Figure 11.

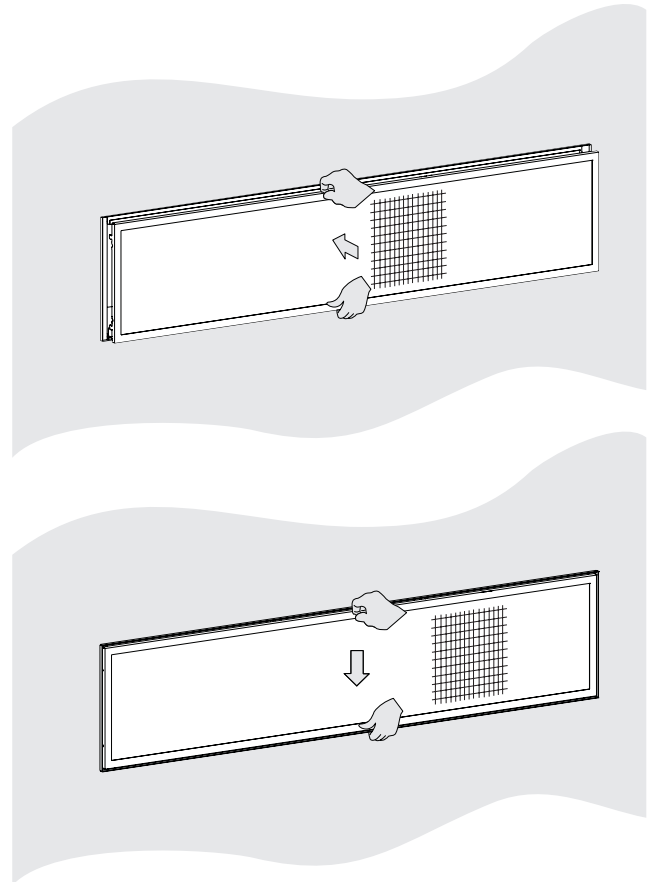
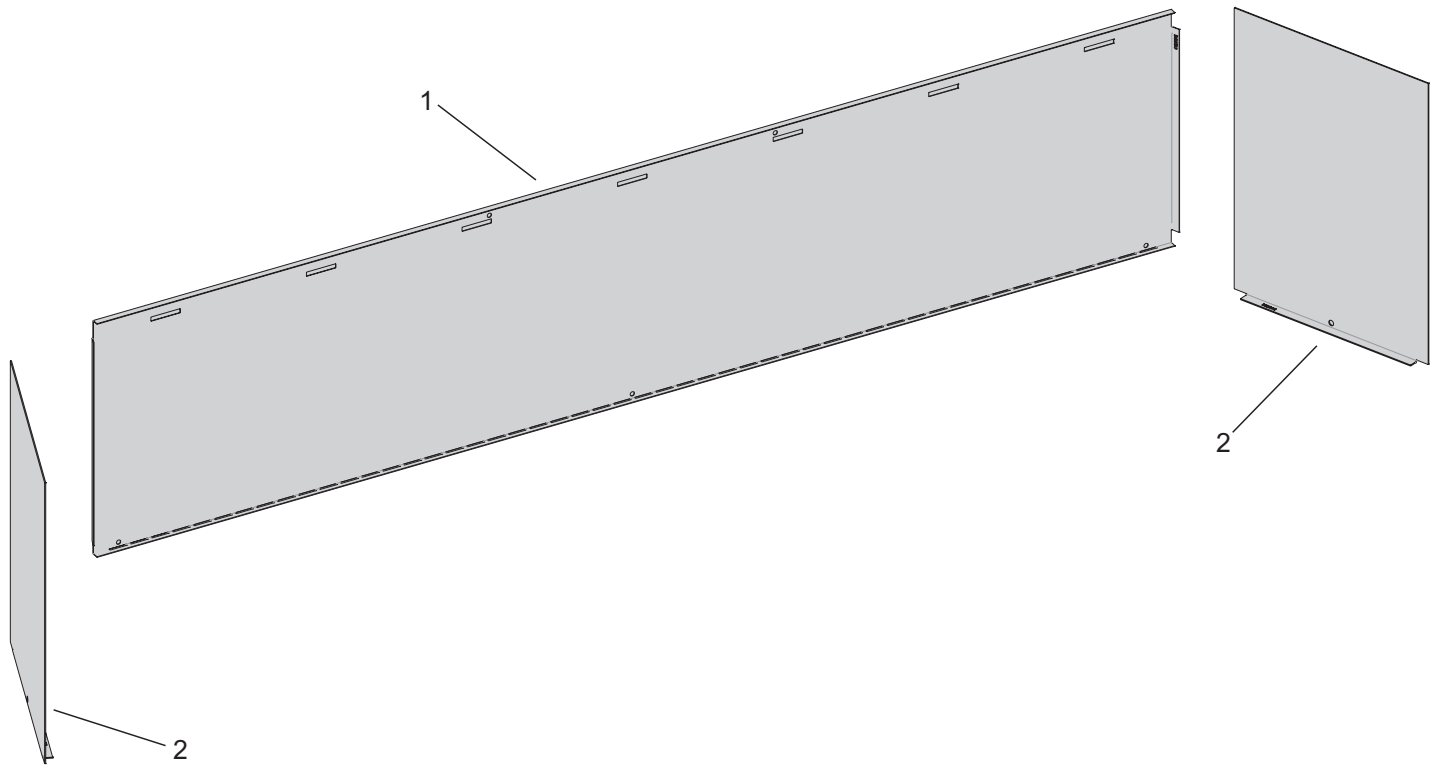
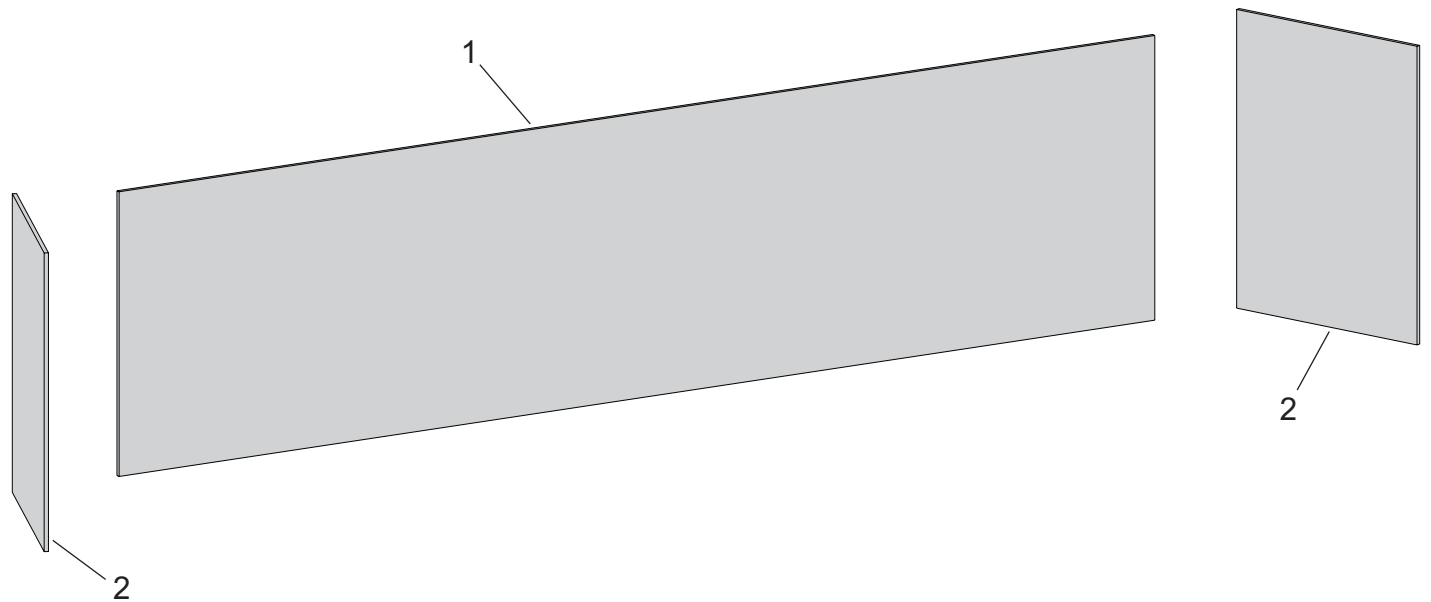


Figure 11



INDEX NO.	PART NUMBER		DESCRIPTION
	VBP60LSS	VBP72LSS	
1	36829	36830	Liner Rear
2	36828	36828	Liner - Side (2 Required)
Not Shown	R3580	R3580	#8 X 1/2 Screw (7 Required)



INDEX NO.	PART NUMBER		DESCRIPTION
	VBP60LKR	VBP72LKR	
1	R12314	R12315	Liner Rear
2	R12313	R12313	Liner - Side (2 Required)

This page intentionally left blank.



**Empire Comfort Systems Inc.
Belleville, IL**

If you have a general question
about our products, please e-mail
us at info@empirecomfort.com.

If you have a service or repair
question, please contact your dealer.

SINCE 1932

www.empirecomfort.com