

ROUND 20

FIRE PIT KIT



The EcoSmart Round 20 Fire Pit Kit's curved compact design and single flame powered by an EcoSmart burner creates an inviting fire pit for smaller, more intimate spaces.

Our new EcoSmart Fire Pit Kits come with everything you need to create a custom design and bring your vision to life. Choose from six different shapes and sizes and three fuel types to create a one of a kind fire pit that enhances your lifestyle, space, and ambiance.

Clean Burning Flame

Unlike traditional wood fire pits, our fire pit kits produce no smoke, no soot, and no ash for an enjoyable experience without the mess.

Global Compliance

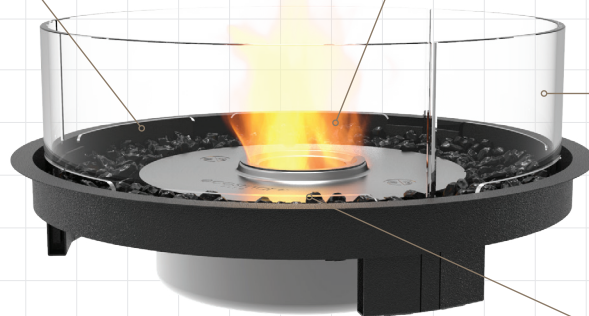
LP/NG Burners are UL/ULC Listed. Bioethanol Burner are UL Listed in accordance with ANSI/UL1370 in the USA, and comply with the ACCC Safety Mandate for Australia.

Inset Metal Tray

All Fire Pit Kit's feature an inset metal tray to house the compatible burner, included decorative media and glass fire screen.

Fire Screen

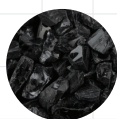
The toughened glass fire screen stabilises the flame in windy conditions.



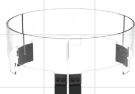
Triple Fuel Advantage

Choose between plumbed natural gas, readily available propane, or our eco-friendly bioethanol fuel system. We make it easy for you to achieve exactly what you want, for exactly where you want it.

Included Accessories



Black Glass Charcoal



Fire Screen



Jerry Can (Ethanol Only)



Lighting Rod + Lighter (Ethanol Only)



AB8 Burner Efficiency Ring (Ethanol Only)

Disclaimer: All product specifications and data are subject to change without notice and believed to be correct at the time of publication. MAD Design Group (MDG), its affiliates, agents, and employees, and all persons acting on its or their behalf (collectively, "MAD Design Group"), disclaim any and all liability for any errors, inaccuracies or incompleteness contained herein or in any other disclosure relating to any product. MDG disclaims any and all liability arising out of the use or application of any product described herein or of any information provided herein to the maximum extent permitted by law. The product specifications do not expand or otherwise modify MDG's terms and conditions of purchase, including but not limited to the warranty expressed therein, which apply to these products. No license, express or implied, by estoppel or otherwise, to any intellectual property rights is granted by this document or by any conduct of MDG. Customers using or selling MDG products not expressly indicated for use in such applications do so entirely at their own risk and agree to fully indemnify MDG for any damages arising or resulting from such use or sale. Please contact authorised personnel from MDG to obtain written terms and conditions regarding products designed for such applications. Images are indicative only.

Round 20



Application	Outdoor and Indoor ¹	
Materials	Black High Temp Coated Stainless Steel, Grade 304 Stainless Steel Burner, Toughened Glass Fire Screen	
Weight (approx)	22kg [48.5lbs] Weight includes burner and accessories.	
LP/NG SKU	ESF.1.B.FPK.R.20.G	
BIOETHANOL SKU	ESF.1.B.FPK.R.20.E	
FUEL OPTIONS*	BTU/H	BURN HOURS*
Liquid Propane	65,000	8 - 20
Natural Gas	65,000	Unlimited
Bioethanol	20,000	7 - 11

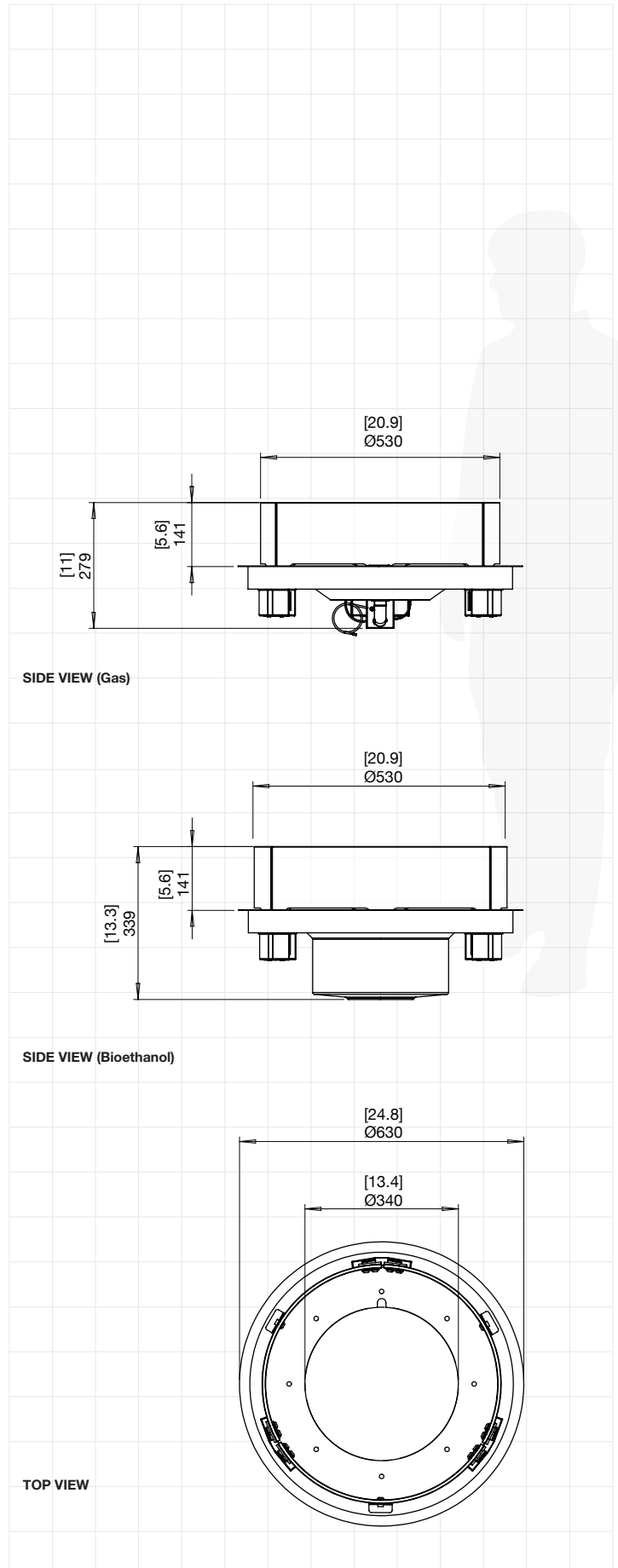
*These values are indicative only.

¹Only bioethanol models are suitable to use indoors.

For Indoor Use, additional parts are required. Your chosen application is the ONLY application the model can be used in due to modified configuration of the model. Please advise your Sales Representative at time of purchase so that the product can be configured accordingly.

Global Compliance

LP/NG Burners are UL/ULC Listed. Bioethanol Burner are UL Listed in accordance with ANSI/UL1370 in the USA, Certified by BSI in accordance with EN16647, and comply with the ACCC Safety Mandate for Australia.



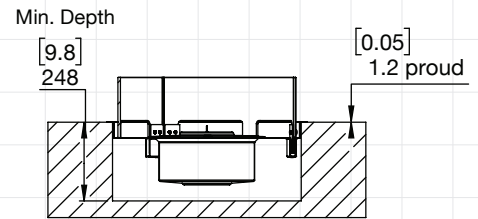
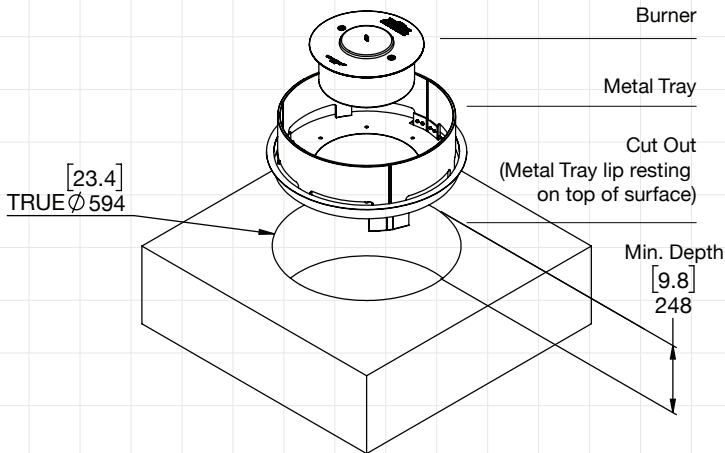
FOR MORE INFORMATION PLEASE REFERENCE THE CLEARANCE & INSTALLATION MANUAL

Disclaimer: All product specifications and data are subject to change without notice and believed to be correct at the time of publication. MAD Design Group (MDG), its affiliates, agents, and employees, and all persons acting on its or their behalf (collectively, "MAD Design Group"), disclaim any and all liability for any errors, inaccuracies or incompleteness contained herein or in any other disclosure relating to any product. MDG disclaims any and all liability arising out of the use or application of any product described herein to the maximum extent permitted by law. The product specifications do not expand or otherwise modify MDG's terms and conditions of purchase, including but not limited to the warranty expressed therein, which apply to these products. No license, express or implied, by estoppel or otherwise, to any intellectual property rights is granted by this document or by any conduct of MDG. Customers using or selling MDG products not expressly indicated for use in such applications do so entirely at their own risk and agree to fully indemnify MDG for any damages arising or resulting from such use or sale. Please contact authorized personnel from MDG to obtain written terms and conditions regarding products designed for such applications. Images are indicative only.

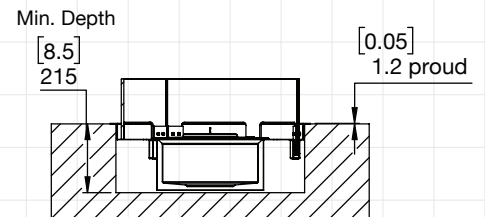
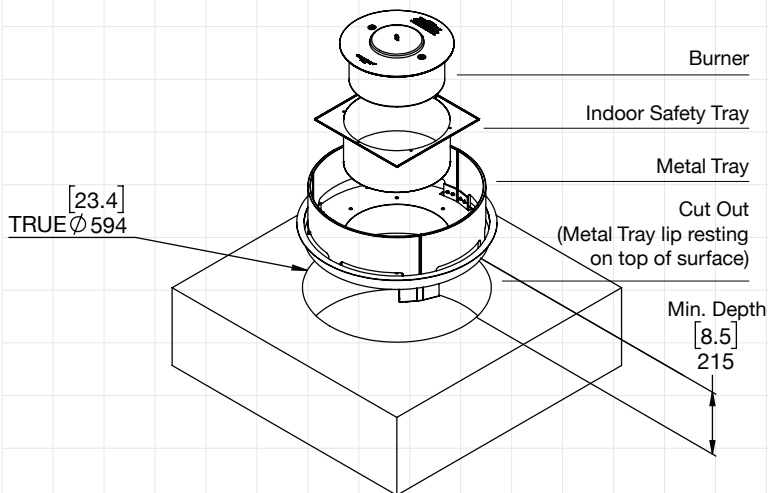
Bioethanol

Round 20 Cut Out Dimensions

Physical model dimensions should be verified against cut out dimensions BEFORE installation begins to confirm tolerances align.



OUTDOOR APPLICATION



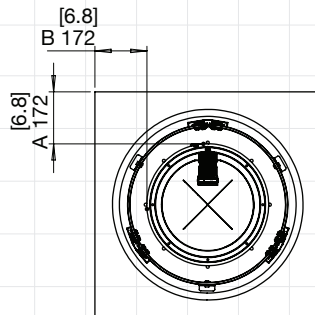
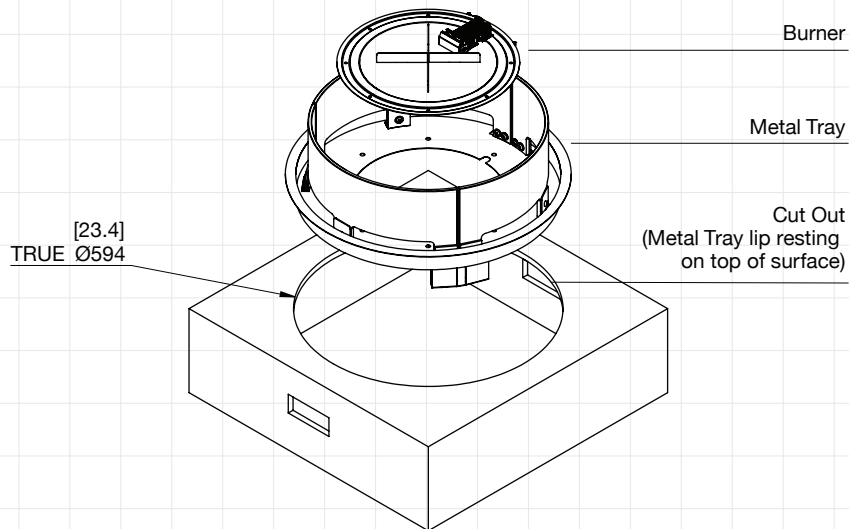
INDOOR APPLICATION (must include Indoor Safety Tray)

Disclaimer: All product specifications and data are subject to change without notice and believed to be correct at the time of publication. MAD Design Group (MDG), its affiliates, agents, and employees, and all persons acting on its or their behalf (collectively, "MAD Design Group"), disclaim any and all liability for any errors, inaccuracies or incompleteness contained herein or in any other disclosure relating to any product. MDG disclaims any and all liability arising out of the use or application of any product described herein or of any information provided herein to the maximum extent permitted by law. The product specifications do not expand or otherwise modify MDG's terms and conditions of purchase, including but not limited to the warranty expressed therein, which apply to these products. No license, express or implied, by estoppel or otherwise, to any intellectual property rights is granted by this document or by any conduct of MDG. Customers using or selling MDG products not expressly indicated for use in such applications do so entirely at their own risk and agree to fully indemnify MDG for any damages arising or resulting from such use or sale. Please contact authorized personnel from MDG to obtain written terms and conditions regarding products designed for such applications. Images are indicative only.

Hard Piped Natural Gas

Round 20 Cut Out Dimensions

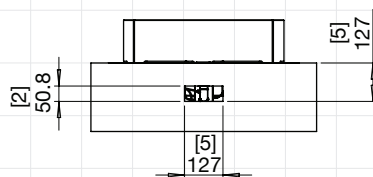
Physical model dimensions should be verified against cut out dimensions BEFORE installation begins to confirm tolerances align.



A 1/8IN ROD MUST BE ABLE TO PASS THROUGH ALL VENTS.
NO SCREEN OR MESH SHOULD BE USED.

MINIMUM REQUIREMENT

TOP OF CLOSURE



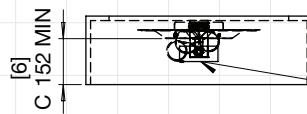
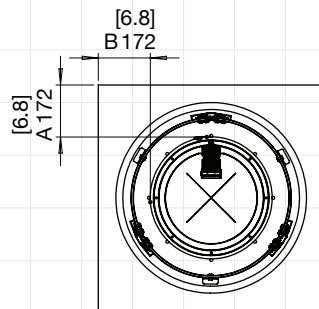
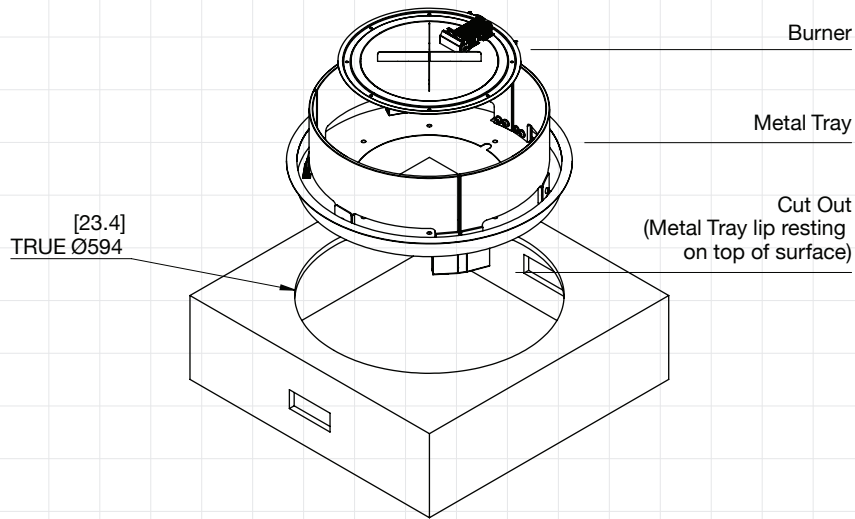
HARD-PIPED NATURAL GAS ENCLOSURE
2 EQUAL SIZE VENTS REQUIRED.
VENTS SHOULD BE WITHIN 127MM [5IN]
OF THE TOP OF CLOSURE.

OUTDOOR APPLICATION ONLY

Hard Piped Propane

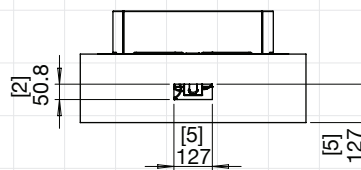
Round 20 Cut Out Dimensions

Physical model dimensions should be verified against cut out dimensions BEFORE installation begins to confirm tolerances align.



A 1/8IN ROD MUST BE ABLE TO PASS THROUGH ALL VENTS.
NO SCREEN OR MESH SHOULD BE USED.

MINIMUM REQUIREMENT



BOTTOM OF CLOSURE

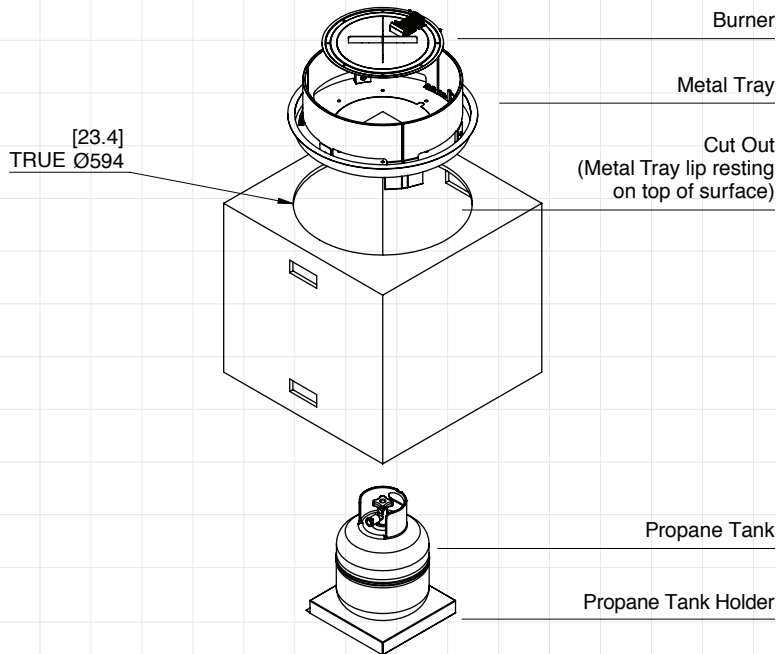
HARD-PIPED PROPANE ENCLOSURE
2 EQUAL SIZE VENTS REQUIRED.
VENTS SHOULD BE WITHIN **127MM [5IN]**
OF THE BOTTOM OF CLOSURE.

OUTDOOR APPLICATION ONLY

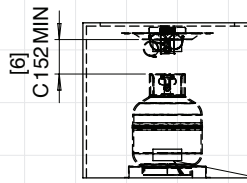
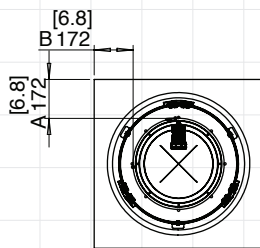
Self Contained Propane

Round 20 Cut Out Dimensions

Physical model dimensions should be verified against cut out dimensions BEFORE installation begins to confirm tolerances align.

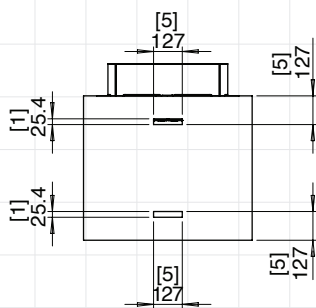


NOTE: Retention means must be provided to limit the movement of the LP gas cylinder.



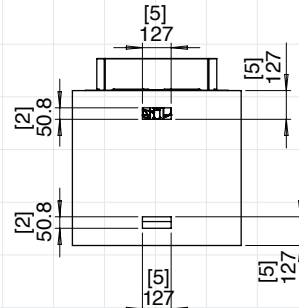
A 1/8IN ROD MUST BE ABLE TO PASS THROUGH ALL VENTS.
NO SCREEN OR MESH SHOULD BE USED.

MINIMUM REQUIREMENT



10LBS PROPANE BOTTLE ENCLOSURE
4 EQUAL SIZE VENTS REQUIRED

MINIMUM REQUIREMENT



20LBS PROPANE BOTTLE ENCLOSURE
4 EQUAL SIZE VENTS REQUIRED

TOP VENTS SHOULD BE WITHIN
127MM [5IN] OF THE **TOP** OF CLOSURE.
BOTTOM VENTS SHOULD BE WITHIN
127MM [5IN] OF THE **BOTTOM** OF CLOSURE.

OUTDOOR APPLICATION ONLY