

AB8

BIOETHANOL BURNER



ecosmart⁺
Fire

Versatility and modern shape provide the ideal tool for individual fire designs – and the AB ethanol burners are at the heart of many EcoSmart fireplaces. A simple, elegant and powerfully effective stainless steel burner for residential and commercial applications.

AB8 MODEL SHOWN BELOW

Included Accessories



Consistent and Reliable

It's minimalist design and ability to withstand extreme heat result in consistent and reliable operation at all temperatures and permitted fuel levels.

Color

Available in Stainless Steel.



AB8 Efficiency Ring

The Efficiency Ring is placed over the internal burner vents when cold and not operating and serve to increase the efficiency of the burner as well as further stabilise the flame of the burner.

To comply with EN 16647 the Efficiency Ring must be installed before operating the burner.

Dual Function Lid

A simple lid is used to extinguish the flame and cover the burner opening when it is not in use. This prevents dust particles, leaf litter, rain and debris from falling into the 304 grade stainless steel tank, leaving it clean and safe for use year round.

Dedicated Filling Point

A designated, in-built filling point to ensure the same procedures can be followed to decrease the likelihood of overfilling.

OPTIONAL ACCESSORIES



Fire Screens



Fire Screen Fixings



Black Glass Charcoal

Disclaimer: All product specifications and data are subject to change without notice and believed to be correct at the time of publication. MAD Design Group (MDG), its affiliates, agents, and employees, and all persons acting on its or their behalf (collectively, "MAD Design Group"), disclaim any and all liability for any errors, inaccuracies or incompleteness contained herein or in any other disclosure relating to any product. MDG disclaims any and all liability arising out of the use or application of any product described herein or of any information provided herein to the maximum extent permitted by law. The product specifications do not expand or otherwise modify MDG's terms and conditions of purchase, including but not limited to the warranty expressed therein, which apply to these products. No license, express or implied, by estoppel or otherwise, to any intellectual property rights is granted by this document or by any conduct of MDG. Customers using or selling MDG products not expressly indicated for use in such applications do so entirely at their own risk and agree to fully indemnify MDG for any damages arising or resulting from such use or sale. Please contact authorised personnel from MDG to obtain written terms and conditions regarding products designed for such applications. Images are indicative only.

AB8



Application	Indoor & Outdoor
Materials	Grade 304 Stainless Steel
Weight	8.2kg [18.1lbs]
Color & SKU	Stainless Steel ESF.2.B.AB8
Fuel Type	e-NRG Bioethanol

BURNER VENTILATION & EFFICIENCY*

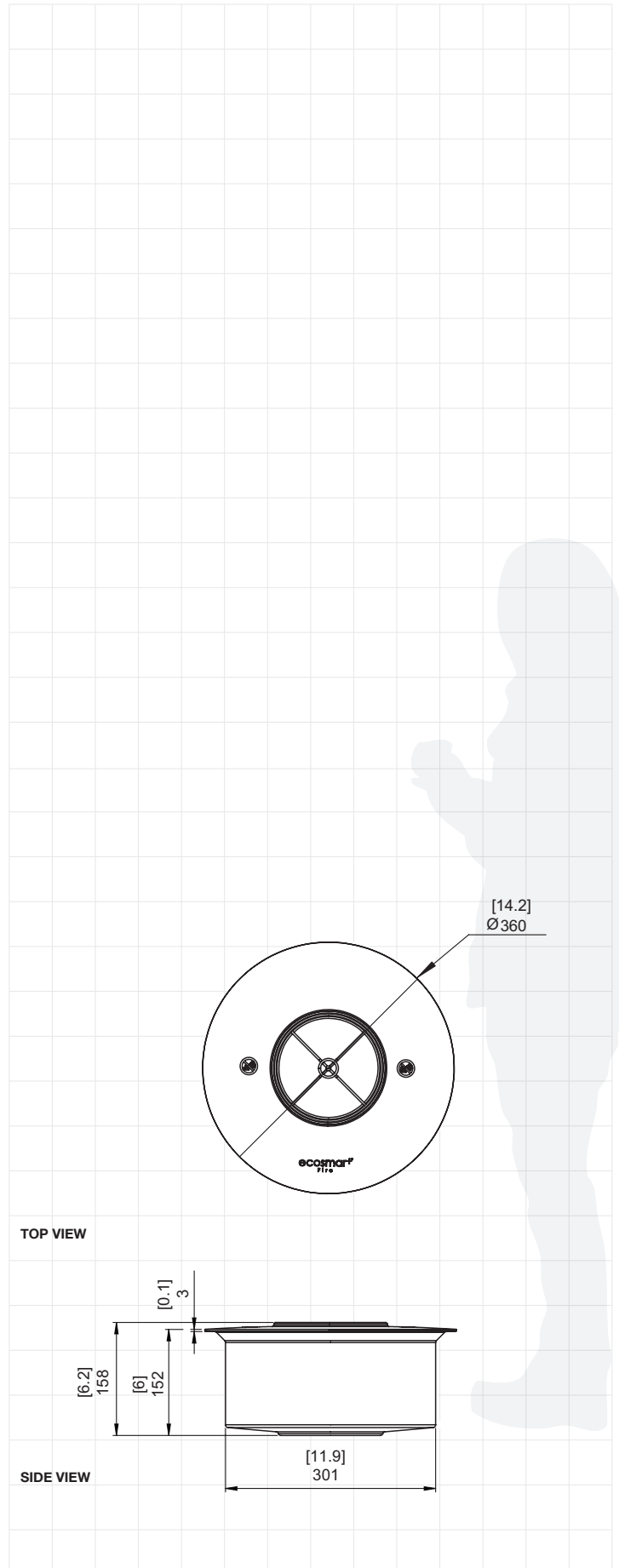
Fuel Capacity	8 Litres [2.1 Gallons]
Heats on Average (when used indoors)	Over 60 square metres [645 square feet]
Fuel Consumption	1.1 L/h [0.29 Gal/h]
Thermal Output Net (MAX)	21.56 MJ/h - 20,433 BTU/h - 5.99 kW
Burn Time (approx)	7 - 11 hours
Minimum Room Size	116 cubic metres [4096 cubic feet] per fireplace.
Optional Accessories	Twin Feet Fixings, Fire Screens, Black Glass Charcoal

Read the manual carefully before operating the burner. Physical model dimensions should be verified against cut out dimensions BEFORE installation begins to confirm tolerances align.

*These values are indicative only and may vary depending on the model purchased, installation, and the seasonal resource used to manufacture e-NRG.



Global Compliance
All burners are UL Listed in accordance with ANSI/UL1370 in the USA and comply with the ACCC Safety Mandate for Australia.

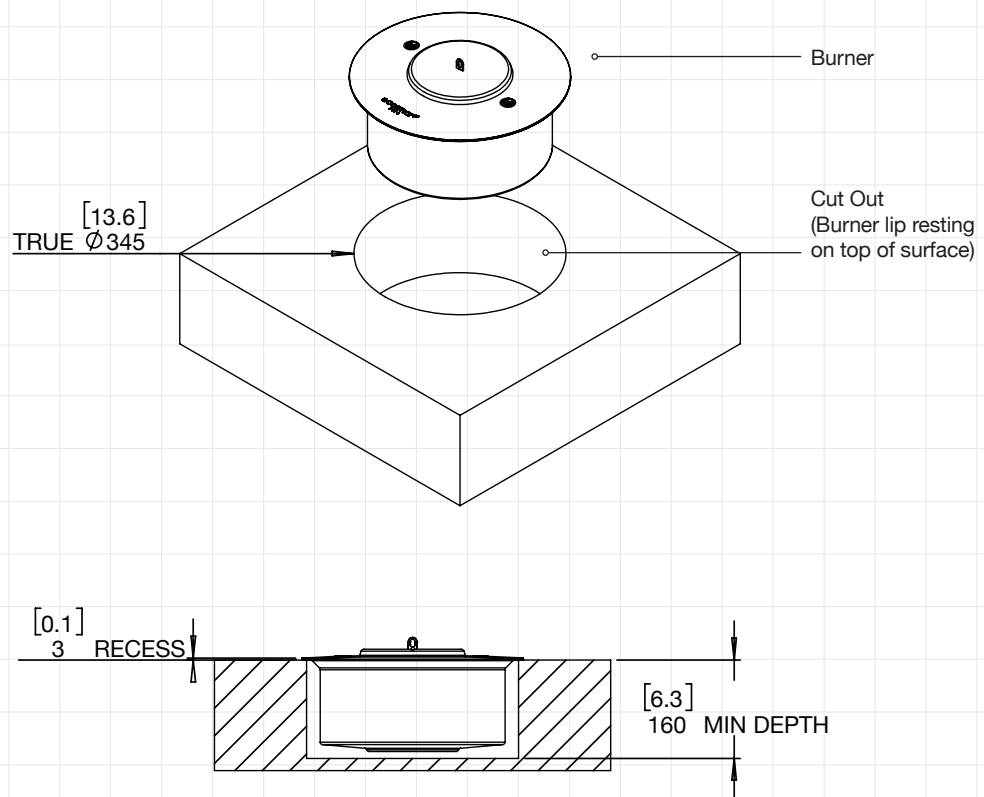


FOR MORE INFORMATION PLEASE REFERENCE THE OPERATION & INSTALLATION MANUAL

Disclaimer: All product specifications and data are subject to change without notice and believed to be correct at the time of publication. MAD Design Group (MDG), its affiliates, agents, and employees, and all persons acting on its or their behalf (collectively, "MAD Design Group"), disclaim any and all liability for any errors, inaccuracies or incompleteness contained herein or in any other disclosure relating to any product. MDG disclaims any and all liability arising out of the use or application of any product described herein or of any information provided herein to the maximum extent permitted by law. The product specifications do not expand or otherwise modify MDG's terms and conditions of purchase, including but not limited to the warranty expressed therein, which apply to these products. No license, express or implied, by estoppel or otherwise, to any intellectual property rights is granted by this document or by any conduct of MDG. Customers using or selling MDG products not expressly indicated for use in such applications do so entirely at their own risk and agree to fully indemnify MDG for any damages arising or resulting from such use or sale. Please contact authorised personnel from MDG to obtain written terms and conditions regarding products designed for such applications. Images are indicative only.

AB8 CUT OUT DIMENSIONS

Physical model dimensions should be verified against cut out dimensions BEFORE installation begins to confirm tolerances align.



FOR MORE INFORMATION PLEASE REFERENCE THE OPERATION & INSTALLATION MANUAL

Disclaimer: All product specifications and data are subject to change without notice and believed to be correct at the time of publication. MAD Design Group (MDG), its affiliates, agents, and employees, and all persons acting on its or their behalf (collectively, "MAD Design Group"), disclaim any and all liability for any errors, inaccuracies or incompleteness contained herein or in any other disclosure relating to any product. MDG disclaims any and all liability arising out of the use or application of any product described herein or of any information provided herein to the maximum extent permitted by law. The product specifications do not expand or otherwise modify MDG's terms and conditions of purchase, including but not limited to the warranty expressed therein, which apply to these products. No license, express or implied, by estoppel or otherwise, to any intellectual property rights is granted by this document or by any conduct of MDG. Customers using or selling MDG products not expressly indicated for use in such applications do so entirely at their own risk and agree to fully indemnify MDG for any damages arising or resulting from such use or sale. Please contact authorized personnel from MDG to obtain written terms and conditions regarding products designed for such applications. Images are indicative only.