



## **E-SERIES MODELS: E30 / E32H / E40 / E60 / E70**

### **IMPORTANT SAFETY INFORMATION:**

Always read this manual first before attempting to install or use this fireplace. For your safety, always comply with all warnings and safety instructions contained in this manual to prevent personal injury or property damage.

**Please note:** This product is only suitable for well insulated spaces or occasional use.



E-Series-170420

UL E54813, UL E228455  
UL E140692 & UL E54813

# IMPORTANT INSTRUCTIONS:

**When using electrical appliances, basic precautions should always be followed to reduce the risk of fire, electric shock, and injury to persons, including the following:**

- ① Read all instructions before using this electric fireplace.
- ② This fireplace is hot when in use. To avoid burns, do not let bare skin touch hot surfaces. The trim around the heater outlet becomes hot during heater operation. DANGER: High temperatures may be generated under certain abnormal conditions. Do not partially or fully cover or obstruct the front of this heater.
- ③ Extreme caution is necessary when any heater is used by or near children or at risk individuals and whenever the unit is left operating and unattended.
- ④ Young children should be supervised to ensure that they do not play with the appliance.
- ⑤ The appliance is not intended for use by young children or at risk individuals without supervision.
- ⑥ Do not operate the unit after it malfunctions. Disconnect power at the service panel and have the unit inspected by a reputable electrician before reusing.
- ⑦ If the supply cord is damaged, it must be replaced by the manufacturer, or its service agent, or a qualified person in order to avoid a hazard.
- ⑧ Do not use outdoors.
- ⑨ Never locate fireplace where it may fall into a bathtub or other water container.
- ⑩ To disconnect the fireplace, turn the controls off, and turn off power to heater circuit at main disconnect panel.
- ⑪ Do not run the cord under carpeting. Do not cover cord with throw rugs, runners, or the like. Arrange cord away from traffic area and where it will not be tripped over.
- ⑫ Do not locate the heater immediately below a fixed socket-outlet.
- ⑬ Do not insert or allow foreign objects to enter any ventilation or exhaust opening as this may cause an electric shock or fire, or damage to the heater.
- ⑭ To prevent a possible fire, do not block air intakes or exhaust in any manner.
- ⑮ All electrical heaters have hot and arcing or sparking parts inside. Do not use in areas where gasoline, paint, or flammable liquids are used or stored.
- ⑯ Use this fireplace only as described in this manual. Any other use not recommended by the manufacturer may cause fire, electric shock or injury to persons.
- ⑰ Do not change the plug in any way. Always plug heaters directly into a wall outlet/receptacle. Never use with an extension cord or relocatable power tap (outlet/power strip).
- ⑱ Do not burn wood or other materials in the electric fireplace.
- ⑲ Do not strike the fireplace glass.
- ⑳ Always use a certified electrician should new circuits or outlets be required.
- ㉑ Always use properly grounded, fused and polarized outlets.
- ㉒ Disconnect all power supply before performing any cleaning, maintenance or relocation of the unit.
- ㉓ When transporting or storing the unit and cord, keep in a dry place, free from excessive vibration and store so as to avoid damage.

**NOTE: Changes or modifications not expressly approved by the party responsible for compliance could void user's authority to operate the equipment.**

# INSTALLATION REQUIREMENTS:

## Review and consider all of the following conditions before installation:

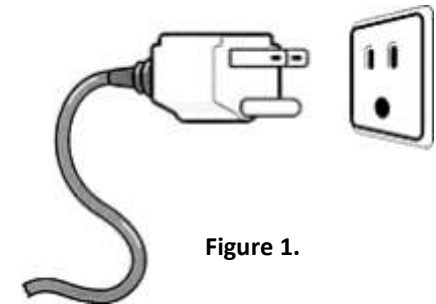
Ensure installation does not allow the electric fireplace to be in direct contact with building vapor barrier or insulation and meets all local building code.

A 15 Amp, 120 Volt circuit is required. A dedicated circuit is preferred but not essential in all cases. A dedicated circuit will be required if, after installation, the circuit breaker trips or fuse blows on a regular basis when the heater is operating. Additional appliances on the same circuit may exceed the current rating of the circuit breaker.

Ensure the power cord is not installed so that it is pinched or against a sharp edge and ensure that the power cord is stored or secured to avoid tripping or snagging to reduce the risk of fire, electric shock or injury to persons. Construction and electrical outlet wiring must comply with local building codes and other applicable regulations to reduce the risk of fire, electric shock and injury to persons.

**WARNING:** To reduce the risk of fire, do not store or use gasoline or other flammable vapors or liquids in the vicinity of the heater.

1. Select a location that is not susceptible to moisture and is away from drapes, furniture and high traffic.
2. For ease of electrical hook up you may wish to locate the fireplace near an existing outlet (for plug-in convenience).
3. Remove electric fireplace, front glass and hardware from the box and remove all packaging materials before installation.
4. Store the fireplace in a safe, dry and dust free location until you are ready to install the fireplace.



**Figure 1.**

## Grounding Instructions:

This product must be grounded. If it should malfunction or breakdown, grounding provides a path of least resistance for electric current to reduce the risk of electric shock.

This product is equipped with a cord having an equipment-grounding conductor and a grounding plug. The plug must be plugged into an appropriate outlet that is properly installed and grounded in accordance with all local codes and ordinances.

**DANGER:** Improper connection of the equipment-grounding conductor can result in a risk of electric shock. Check with a qualified electrician or serviceman if you are in doubt as to whether the product is properly grounded. Do not modify the plug provided with the product – if it will not fit the outlet, have a proper outlet installed by a qualified electrician.

This product is for use on a nominal 120-volt circuit and has a grounding plug that looks like the plug in **Figure 1**. Make sure that the product is connected to an outlet having the same configuration as the plug. No adapter should be used with this product.

**WARNING:** Do not attempt to wire your own new outlets or circuits. To reduce the risk of fire, electric shock or injury to persons, always use a licensed electrician.

# INSTALLATION METHOD:

This product has been designed to be installed into a plaster board, drywalled, or existing masonry chimney breast.

Please note that any GF2 models from the e-series range are not suitable to be installed into a existing chimney breast.

Please seek advice from a professional, with reference to the structural integrity of the installation site.

If the products is to be installed into a open chimney or flue, it is important that the chimney/flue is blocked off to prevent any up/down draughts and falling debris which could restrict and alter the airflow to the product.

It is also important to ensure that the product has a minimum internal clearance directly above and below the product of 50mm (2"), this is to ensure that the product can circulate the required airflow for the heater unit.

The product should never be sealed into a opening with the use of silicones or adhesives as this can also alter the airflow and hinder any further servicing of the product.

## Installing Product:

Each E-Series product is supplied complete with one or more wall mounting brackets. (Dependent on Model)

Establish the desired finished height from floor level to the bottom of the plaster kit of the product.

Fix the wall bracket to the wall ensuring to use the correct hardware fittings given the wall construction, dry wall or solid wall. Ensure that the bracket is level.

Lift and hook the product onto the wall bracket and secure using the wall brace brackets.

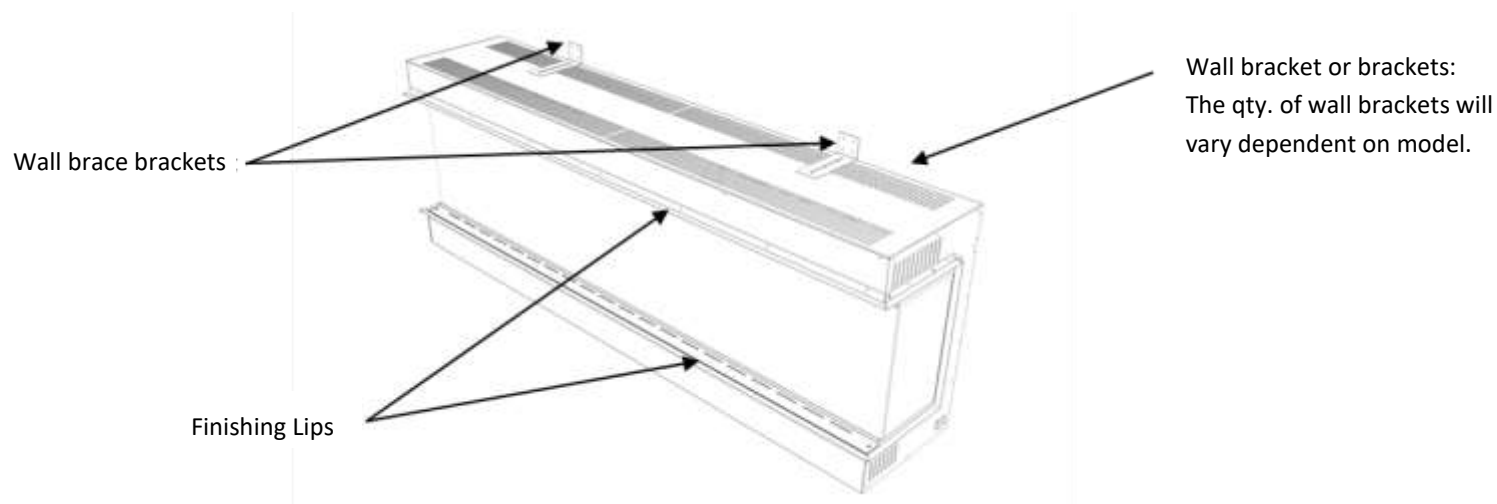
Once the product is secured to the wall and connected to the power supply, the false construction such as plaster board wall or chimney breast can be formed around it.

It is important to allow for the finished face board when setting the depth of the frame construction.

It is essential to include header/Lintel at the required height to ensure the appliance does not support the weight of the finished wall.

Prepare the cut-out in the plaster-board or finishing board, and install ensuring that the finishing lip is fitting to the inside of the cut-out of the board.

Ensure finish material does not impede past finishing lip.



Please see Figure 1: as a example of a installation.

Please refer to technical specification table for further information, with reference aperture measurements.

The below table contains the minimum opening sizes required to house the product.

<b>MODEL:</b>	<b>W</b>	<b>D</b>	<b>H</b>
E30	29-3/8"	7-5/16"	18-11/16"
E32 H	32-7/8"	12"	31-1/8"
E40	41-15/16"	12"	22-1/16"
E60	61-5/8"	12"	22-1/16"
E70	70-5/16"	12"	24-1/4"

The below table contains the final finished opening sizes once the product has been installed.

<b>MODEL:</b>	<b>W</b>	<b>D</b>	<b>H</b>
E30	29-3/8"	7-5/16"	18-11/16"
E32 H	32-7/8"	12"	31-1/8"
E40	41-15/16"	12"	22-1/16"
E60	61-5/8"	12"	22-1/16"
E70	70-5/16"	12"	24-1/4"

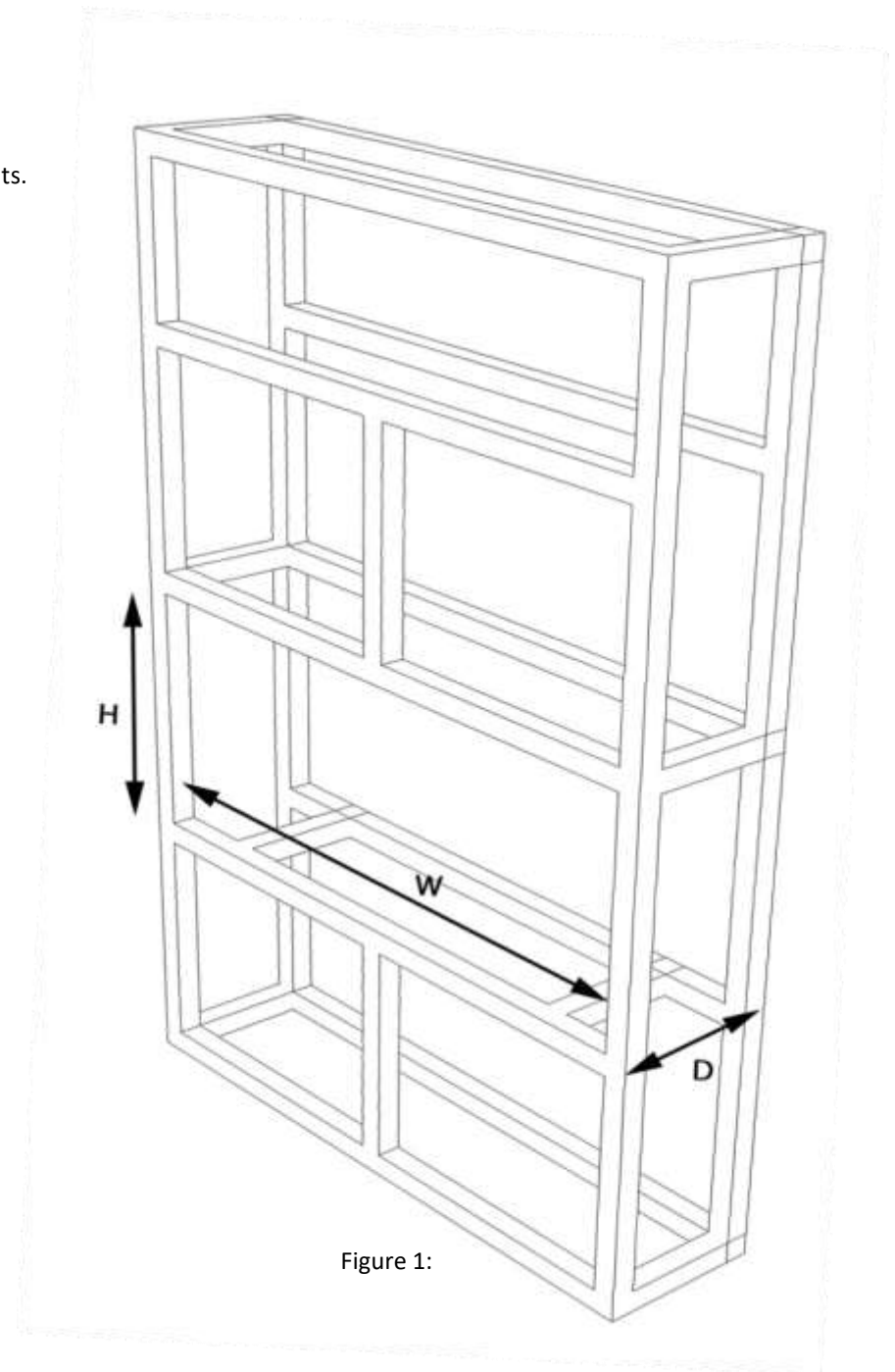
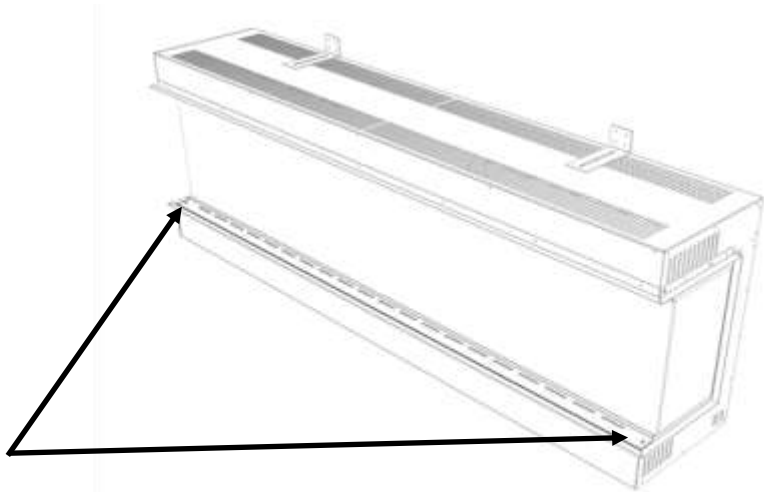
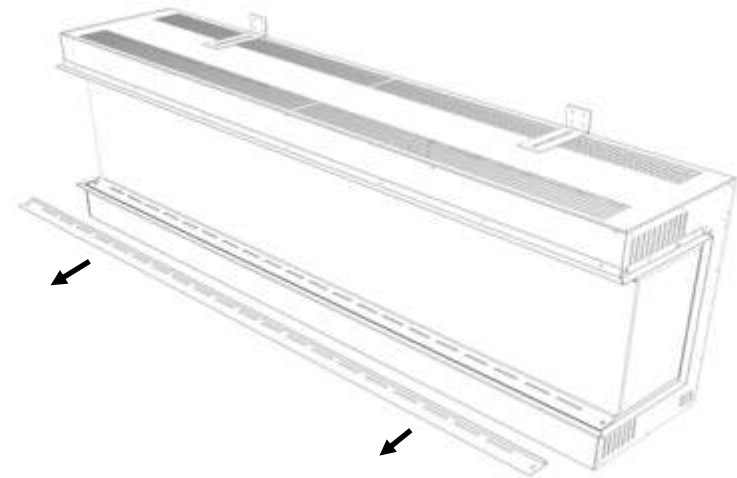


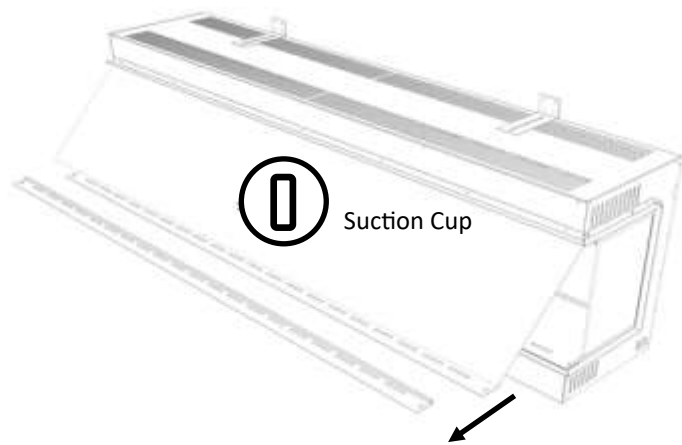
Figure 1:



1. Remove the two screws located in the bottom glass retaining bar.



2. Remove the bottom glass retaining bar.

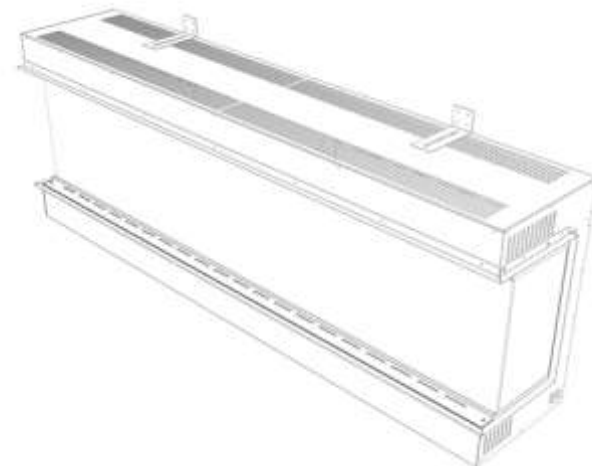


 Suction Cup

3. Remove the glass by pulling the second retaining bar away from the body of the fire, ensure that the glass is supported at all times. A suction cup has been provided to help aid this step.

**(Please note the suction cup is provided for support only, not to hold the full weight of the glass).**

**(Please note: it is recommended that this step is carried out by two persons on E60gf/2/3 & E70gf/2/3 models).**



4. Place the log set as stated and replace the glass by reversing steps 3. to 1.

# Product Operation:

The appliance is operated by the E-Touch App, the main standby power switch to the E-Series product is located to the right of the heater outlet, which is marked with a light bulb image, to activate the product, this switch must be switch to the “ON” position.

The first time the E-Series product is activated both the illumination and heater will function, to switch the heater “Off” simply reduce the Room Temperature setting down to 10 degrees on the E-Touch App control.

## Heater Unit Spec & Certification:

The 1200w Heater Unit conforms with the following:

UL E54813— UL E228455— UL E140692— UL E54813



**(Heater unit cut-out)** (This is a safety feature, to safe guard against further damage to the product).

If the airflow is restricted the heater will automatically turn off. This is can occur due to incorrect installation or obstruction.

To reset the heater function:

- Isolate from the main power supply.
- Leave product to cool.
- After the unit has cooled to room temperature, remove the obstruction, if obstructed, and check installation.
- After 10 minutes the Thermo Switch (cut-out) in the heater will reset.

**Please note that both the fire effect fan and heater fan omit a low decibel noise, both of which are normal operating characteristics.**

# Operating Instructions for E-touch App Control





## Downloading the E-touch App

The E-touch app can be used with both smart phone and tablet devices **(OS and/or Android)**.

Utilizing the E-touch app will allow complete controllability of your Electric Modern product.

To download the E-touch app please follow the steps below.

- 1) Access either the Apple App store or Google Play on your device; this is dependent on the operating system of your smart phone or tablet.
- 2) Search, locate and download the App entitled '**e-touch**' (look for the orange logo above).

(Please Note: The screen shots used in this manual are taken from OS operating system there will be some slight variations for Android operating systems).



## Pairing your Fireplace to your Device



**Note: Fireplace pairs to your device via Bluetooth. Ensure that your Bluetooth setting is activated on your device before attempting to pair.**

**Only one device can be paired to the fireplace at any given time.**

3) Ensure that the fireplace unit is switched to the 'ON' position.

4) Open the (E-touch) App and the above screen will appear.

5) To ADD your Electric Modern product, simply click the **+** button at the top right of the screen.

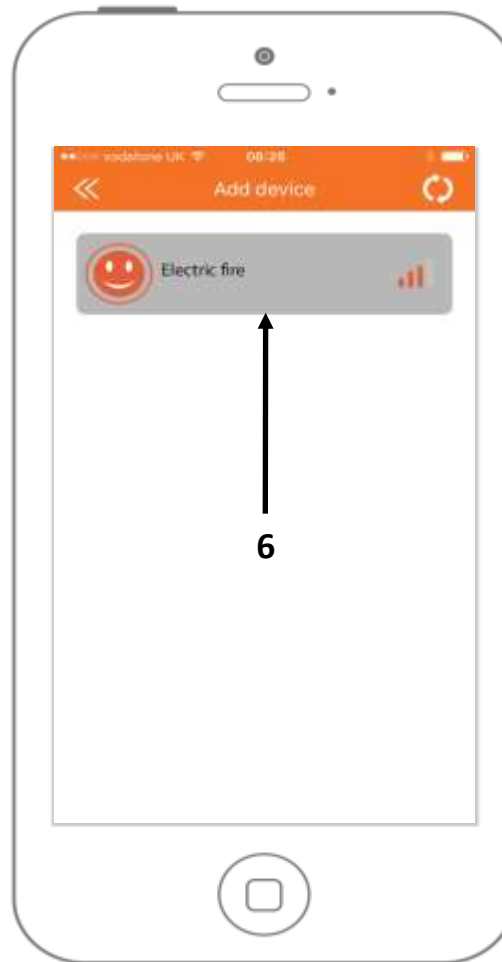
## Pairing your Fireplace to your Device Continued:

The E-touch App will then begin to scan for your Electric Modern fireplace.



(Please note: To enable the E-touch app to find/discover your Electric Modern fireplace, the smart phone or tablet must be no more than 3 feet away from the product).

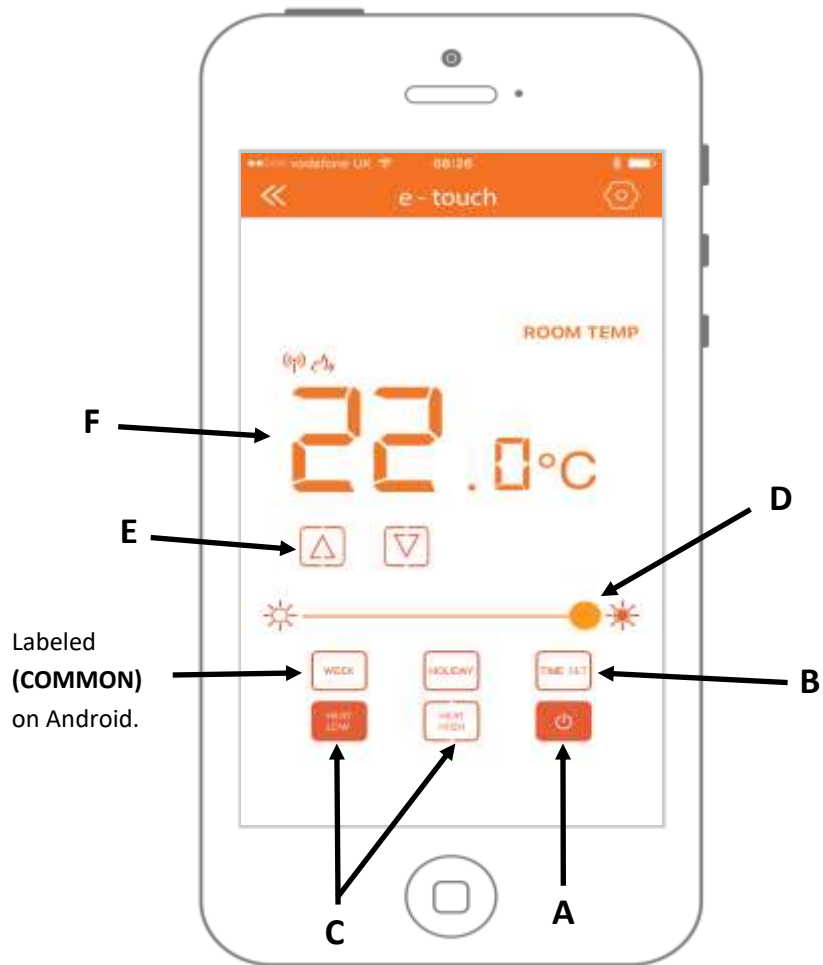
## Pairing your Fireplace to your Device Continued:



5) Once the E-touch App has discovered your Electric Modern product, the above screen will appear.

6) To connect to your Electric Modern fireplace simply click on the Electric fire icon.

**Your electric fireplace is now paired and ready to operate.**



*Home Screen*

A). **On & Off Button** - Single press to turn product on and off.

B). **Setup / Seven-day Programmable Timer Button** - Used to navigate timer options.

C). **Heat High / Heat Low Buttons** - Single press to select 1 or 2Kw of heat output.

D). **Dimmer Slide** - Increase or decrease the brightness of flame effect.

E). **Temperature Control Keys** - Single press to increase or decrease temperature when setting desired room temperature. **(Please note: to activate the heater the temperature must be set higher than the ambient room temperature to de-activate the heater the temperature must be set lower than the ambient room temperature).**

F). **Room Temperature Display** - This displays the desired room temperature.

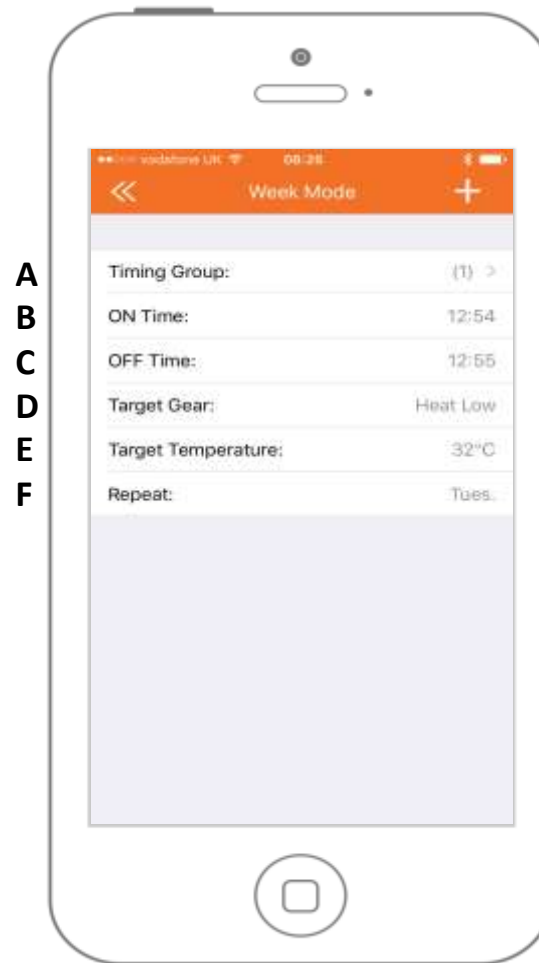
## Programming the Seven-Day Timer



To access and program the seven-day programmable timer please follow the steps below:

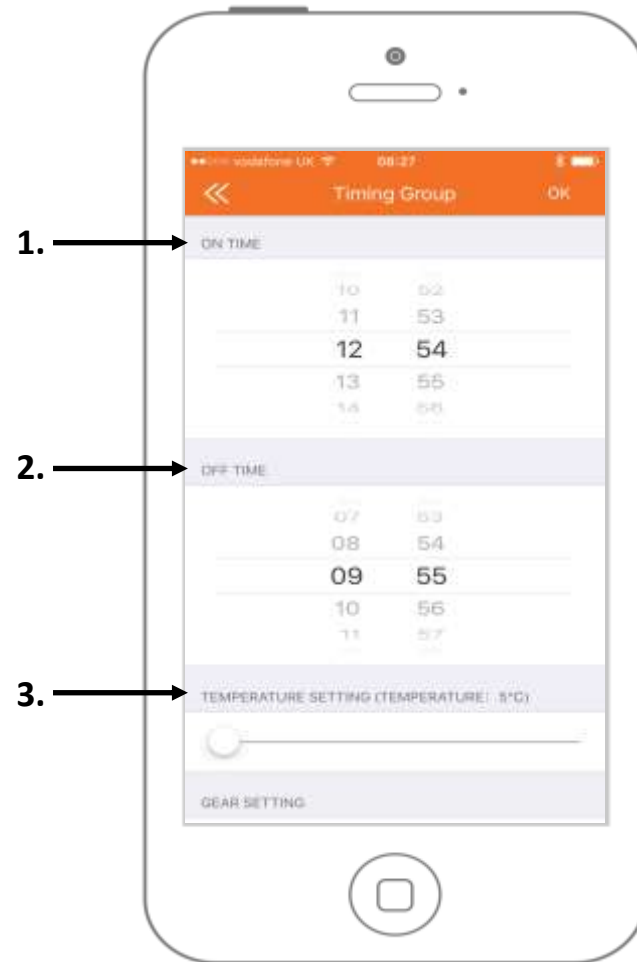
- 1). Click the **(TIME SET)** button on the home screen. The options above image will appear.
- 2). Click the **(WEEK MODE—OS)** or **(COMMON—Android)** button and the timer summary screen will appear.  
*(see next page).*

## Programming the Seven-Day Timer Continued:



- A). **Timer Group** - Add one or more timing groups or (weeks).
- B). **On Time** - Set a time for the heater to switch (On).
- C). **Off Time** - Set a time for the heater to switch (Off).
- D). **Target Gear** - Set the heater to switch on Heat Low or Heat High.
- E). **Target Temperature** - Set your desired room temperature. The heater will deactivate once the interior thermostat has reached this target temperature.
- F). **Repeat** - Select what day(s) you would like the program to repeat.

## Programming the Seven-Day Timer Continued:

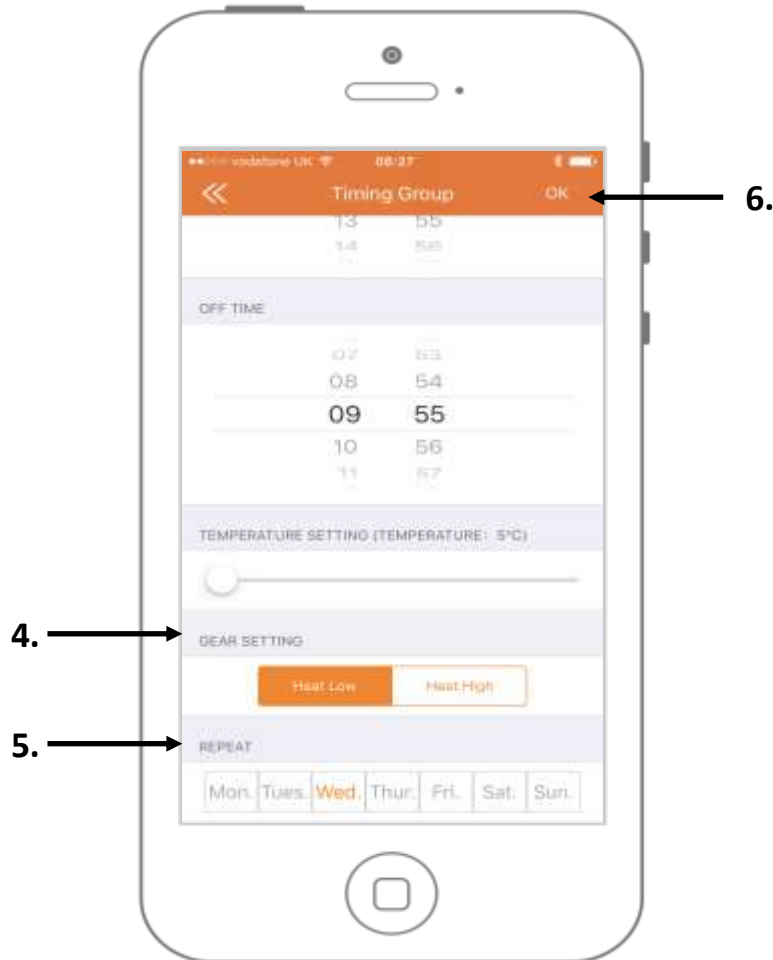


To set a timing program (**ON TIME / OFF TIME**) please follow the steps below:

1. Select the time on which you would like the heater to activate (**ON TIME**).
2. Select the time on which you would like the heater to de-activate (**OFF TIME**).
3. Select your desired room temperature.



## Programming the Seven-Day Timer Continued:



4. Select the gear setting or power on which power you would like the heater to activate on (Heat Low—1Kw) or (Heat High—2Kw).
5. Select on which day or days you would like your timing program to active or repeat.
6. To confirm your timing program Click (OK).
7. Ensure that the **(WEEK)** button is highlighted on the Home screen to active your timing program.

Once your have activated your timing program, this can be bypassed by pressing the **(HOLIDAY)** button on the home screen.

## Troubleshooting:

1. **E-touch app will not connect to product:** Ensure that the rocker/power switch is in the on position on your product and re-scan for the product using the app. Ensure that the smart phone or tablet is within range of the product (3 feet).
2. **Seven-day timer program will not activate:** Ensure that the **(Week)** button is highlighted on the home screen and the time settings are set correctly (see pages: 7-10).



LOG SET

**LOG**

**LENGTH**

A	10-1/4"
B	14-5/8"
C	9-1/16"
D	7-5/16"
E	7-1/2"
F	15-3/8"

Please Note: The images shown are suggested log layouts, the log sets can be arranged to personal preference.



E32 H & E40—LOG LAYOUT



E60 & E72—LOG LAYOUT

## European Home Warranty

Electric Modern Family of Products

European Home warrants all Electric Modern electric fireplaces against defects in materials and workmanship for a period of TWO (2) YEARS from the date of original retail purchase. If a defect exists, European Home will, at its option, either (1) repair the product at no charge, using new or refurbished re-placement parts or (2) exchange the product with one which is new or which has been manufactured from new or serviceable used parts and is at least functionally equivalent to the original product. A replacement product/part assumes the remaining warranty of the original product or ninety (90) days from the date of replacement or repair, whichever provides longer coverage for you. When a product or part is exchanged, any replacement item becomes your property and the replaced item becomes the property of European Home. Nothing in the above shall be deemed to imply that this warranty shall apply to work which has been abused or neglected or shows evidence of changes or modifications by others with or with-out permit, damages caused by the acts of God, building settlement or moving, fire or vandalism. In addition, installation of this product that varies from the requirements stated in the instruction manual will void the warranty.

European Home is a division of Europa Ja, Inc.

### **European Home**

30 Log Bridge Road  
Building 300, Unit 303  
Middleton, MA 01949  
United States

