



Gas Fireplace Framing Guide

Models, 21 TRV, 564 TRV 25K, 564 TRV 25K CF, 564 HO, 864 TRV 31K, 864 TRV 31K CF, 854 ST, 3615 HO, 4415 HO, 4415 HO See-Thru, 6015 HO, 4237 Clean Face, ProBuilder 42, 54, & 72 Linears, 864 TV 40K, 864 TV 40K CF, ProBuilder 36 CF and ProBuilder 42 CF

Note: For General Reference Only.
Always consult the product Installation Manual for exact installation information.

Installation Manuals can be found at
www.fireplacex.com

5/29/2019



Add this guide to your
phone or tablet

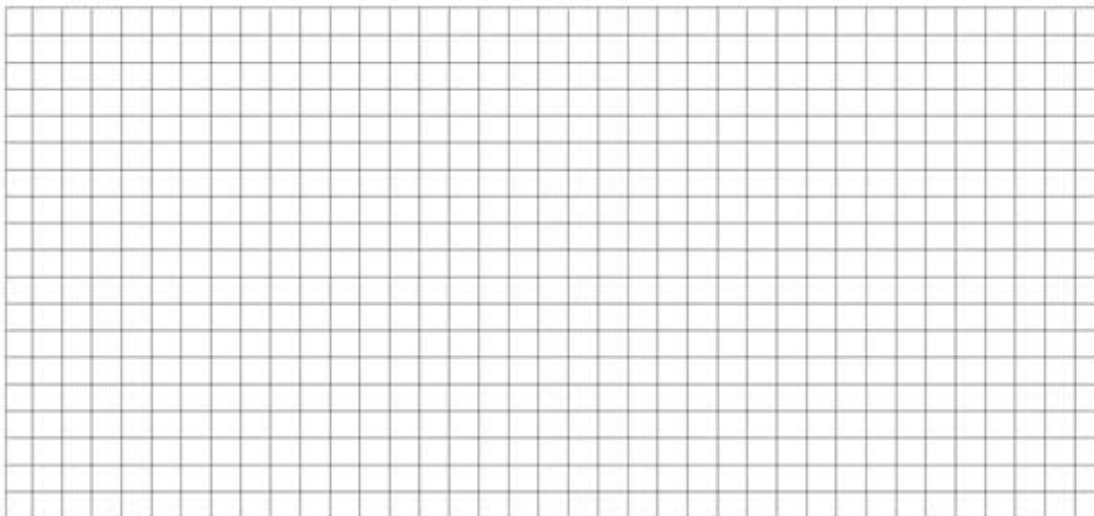
Gas Fireplace Installation Worksheet

There are many variables to consider in determining what product is the best fit for your home. Print out and fill in the appropriate worksheet and bring it in when you visit your local dealer. This worksheet will help your dealer better understand your installation requirements so that you get the best hearth product based on your home layout and heating requirements.

About Fireplace

Fireplaces (a.k.a. zero clearance fireplaces) are typically installed during the construction of a new home or as part of a remodel project. As opposed to an insert, the housing (or firebox) of a fireplace is composed of an inner and outer metal shell. The term "zero clearance" refers to the fact that the framing (studs and subfloor) can come directly in contact with the firebox; no clearance is required, allowing lots of installation flexibility.

1. What purpose will the fireplace fill?
a) Zonal or Supplemental Heating OR Whole Home Heating
2. What room or rooms (determine square footage) will the fireplace be used to heat? _____ sq. ft.
3. Do you have natural gas or propane ?
4. Is the fireplace being installed in new construction or in a remodel ?
5. Are you replacing an existing fireplace with a new fireplace YES NO ?
6. On the grid below please sketch-out your house floor plan and approximately where your fireplace will be installed.



7. Is the house a single story , two story or three story home?
8. How high is the ceiling in which the fireplace is to be installed? _____ ft.
8. Is the fireplace going into a basement ? YES NO
9. For remodels or fireplace replacements, it would be helpful if you could bring in photos of the room the fireplace will be installed in and a picture of your existing roof line.

WARNING:

Sheet metal edges can be sharp

ADVERTENCIA:

Los bordes de chapa metálica pueden estar afilados

CAUTION: RESTRICTOR ADJUSTMENT REQUIRED

This heater will not operate properly if the vent restrictor is not set for your specific installation. See "Vent configuration" section in the owner's installation manual.

FIRST FIRE OR START UP

Your appliance has been finished with the highest quality paint. Though this paint dries quickly to the touch, it does not cure or become hard until heated up by the appliance during first fire. For this reason the stove will emit light smoke and have a slight odor. Consult your owner's manual for the complete paint curing instructions. Partially open doors or windows to minimize smoke & odor.

LA PRECAUCIÓN: EL AJUSTE DE RESTRICTOR REQUERIDO

Este calentador no funcionará apropiadamente si el restrictor de abertura no está previsto para su instalación específica. See "La configuración de abertura" corte transversal en el manual de instalación del propietario.

EL PRIMERO FUEGO O COMIENZA PARA ARRIBAS

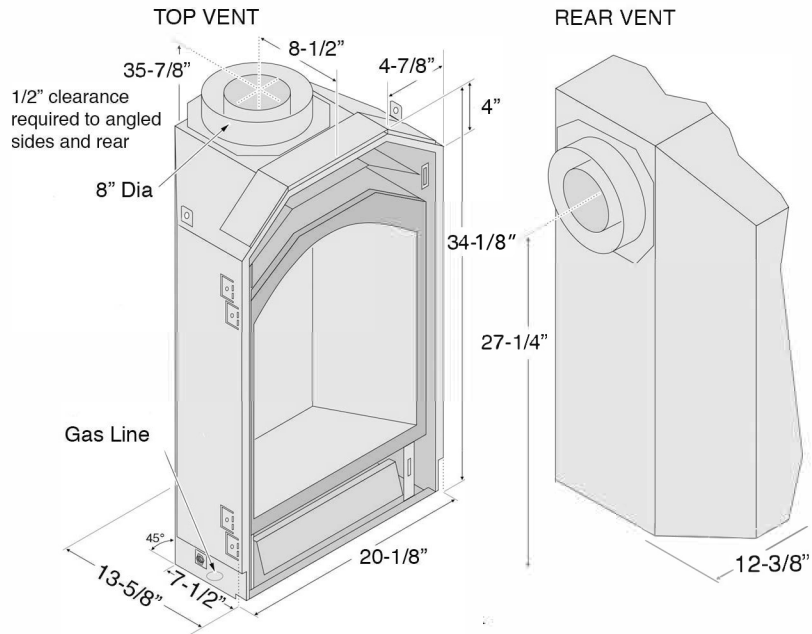
Su aparato ha estado terminado con la pintura de mejor calidad. Aunque esta pintura se seca rápidamente al tacto, no hace la cura o becomeve duro until calienta por el aparato durante el primer fuego. Para esta razón la cocina emitirá humo ligero y tendrá un olor leve. Consulte el manual de su propietario para la pintura completa curar las instrucciones. Abra puertas o ventanas parcialmente para minimizar humo & olor.

21TRV GSR2

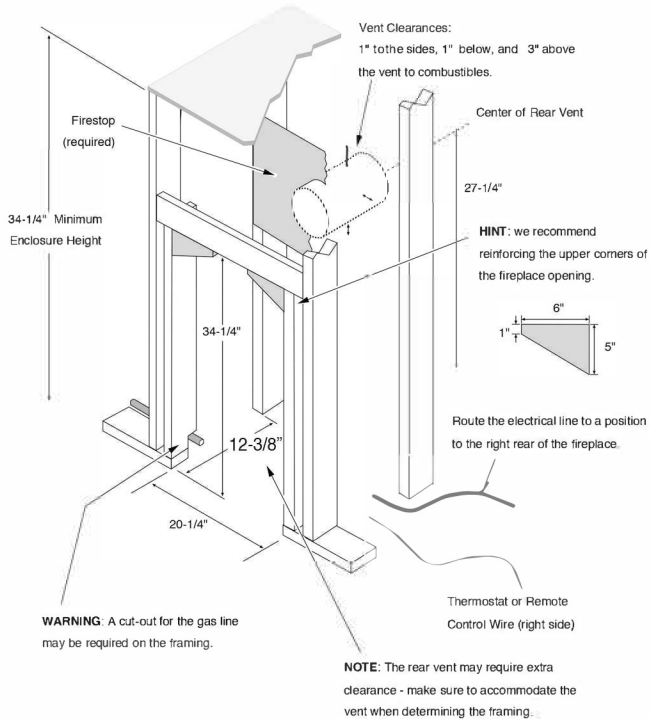
Framing With Barrier Screen Guide



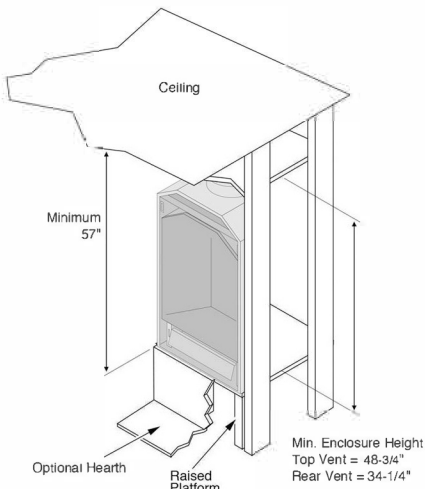
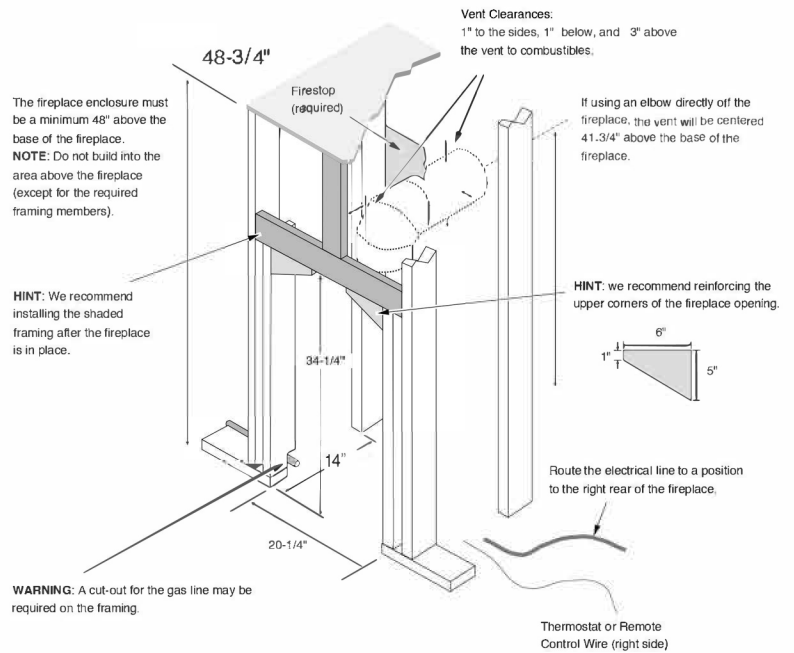
TRAVIS INDUSTRIES
HOUSE OF FIRE
 12521 HARBOUR REACH DRIVE
 MUKILTEO, WA 98275-5458



Minimum Framing Dimensions - Rear Vent Configuration

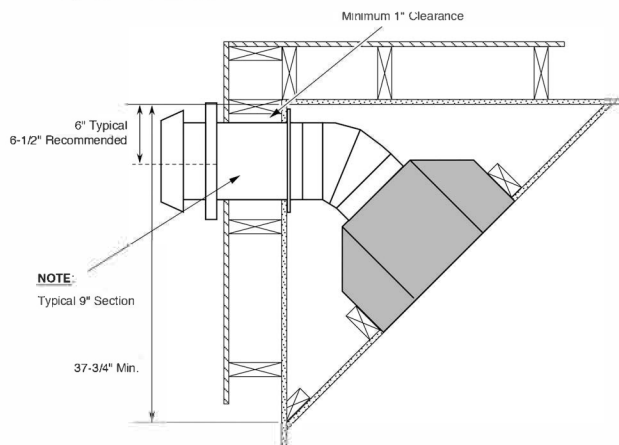


Minimum Framing Dimensions - Top Vent Configuration



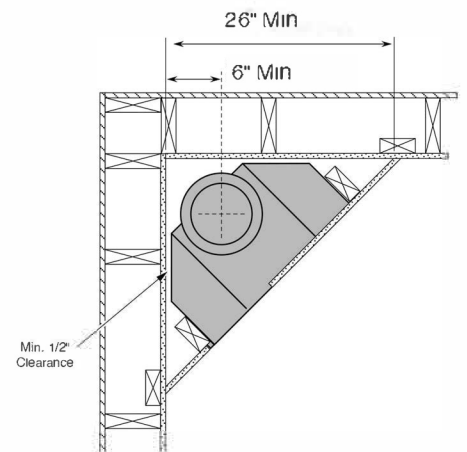
Corner Installations - Rear Vent Configuration

Typical 45° installation



Corner Installations - Top Vent Configuration

Typical 45° installation

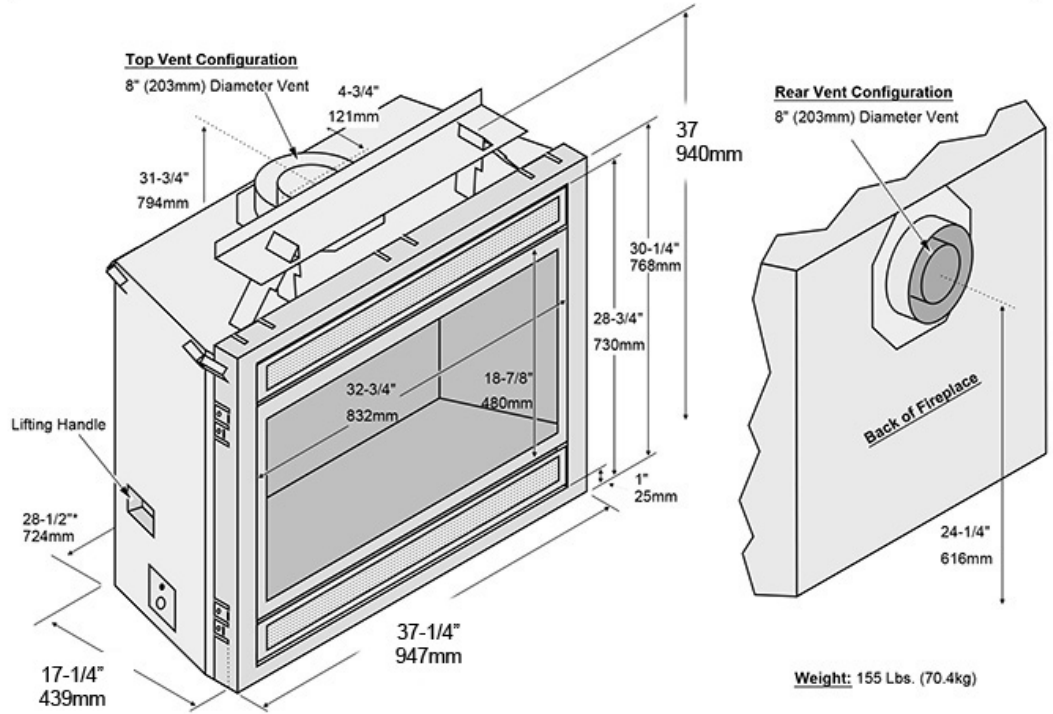


564 TRV 25K Framing Guide

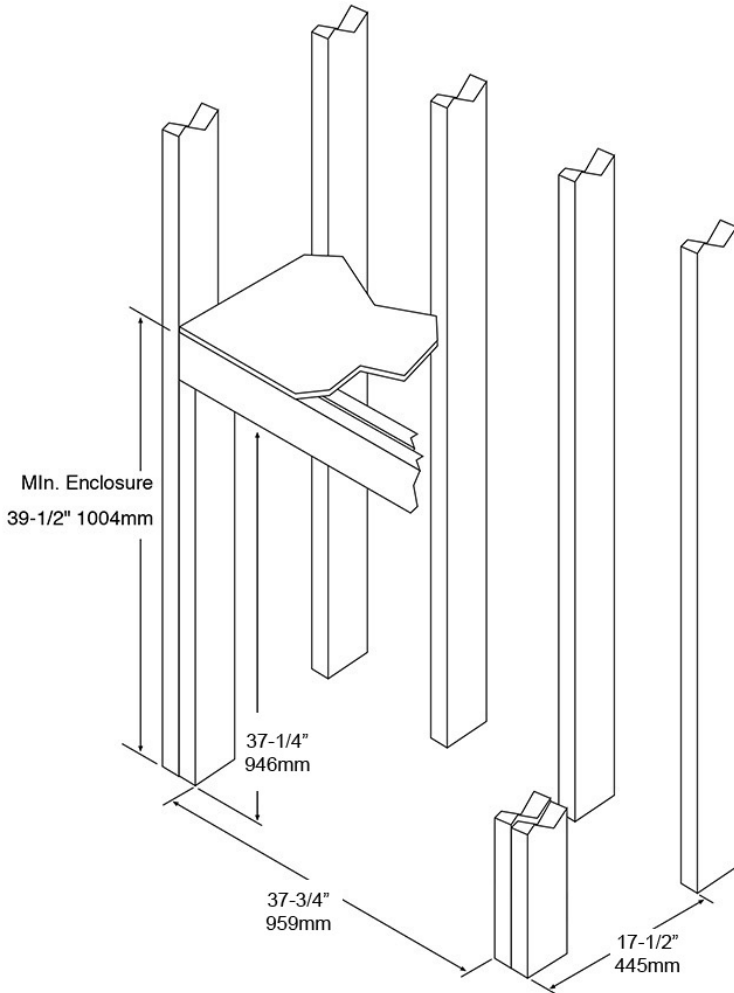


TRAVIS INDUSTRIES
HOUSE OF FIRE
12521 HARBOUR REACH DRIVE
MUKILTEO, WA 98275-5458

Dimensions

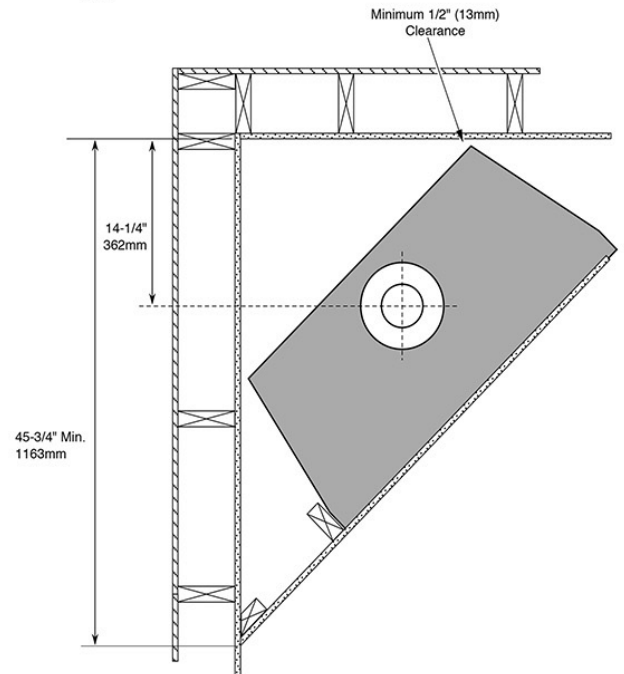


Minimum Framing Dimensions



Corner Installations - Top Vent Configuration

A typical 45° installation uses the framing dimensions shown in the illustration below (NOTE: all clearances still apply).



SHADOWBOX FACE NOTE:

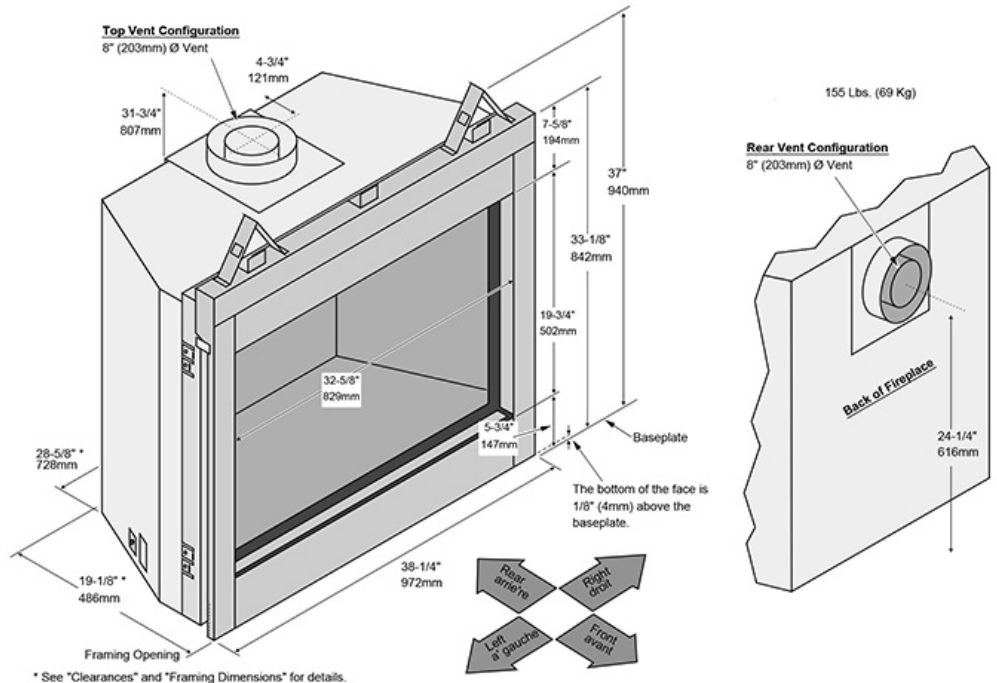
The Shadowbox face extends 1" below the base of the fireplace.

564 TRV 25K Clean Face Framing Guide

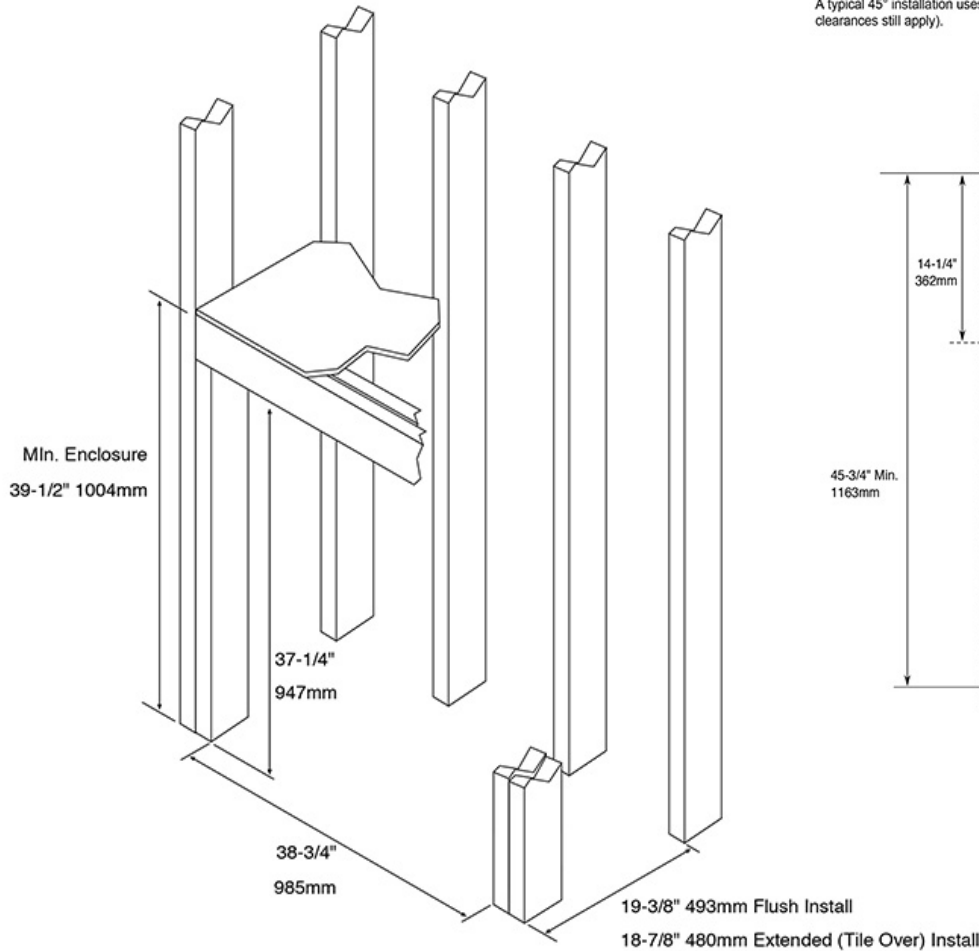


TRAVIS INDUSTRIES
HOUSE OF FIRE
12521 HARBOUR REACH DRIVE
MUKILTEO, WA 98275-5458

Dimensions

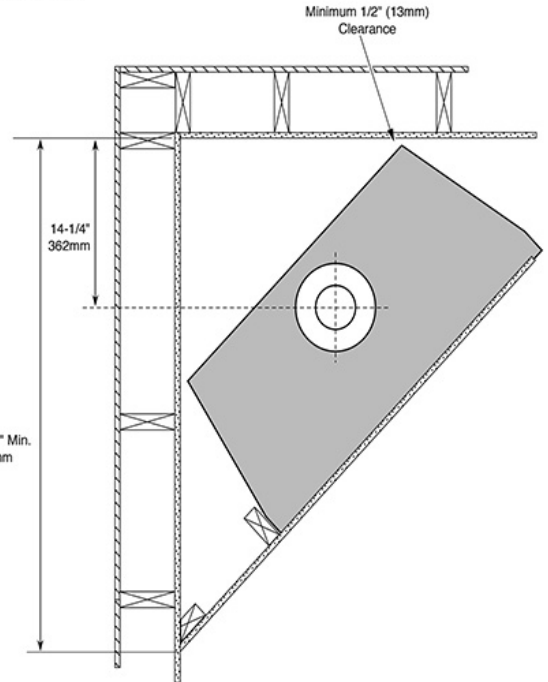


Minimum Framing Dimensions



Corner Installations - Top Vent Configuration

A typical 45° installation uses the framing dimensions shown in the illustration below (NOTE: all clearances still apply).

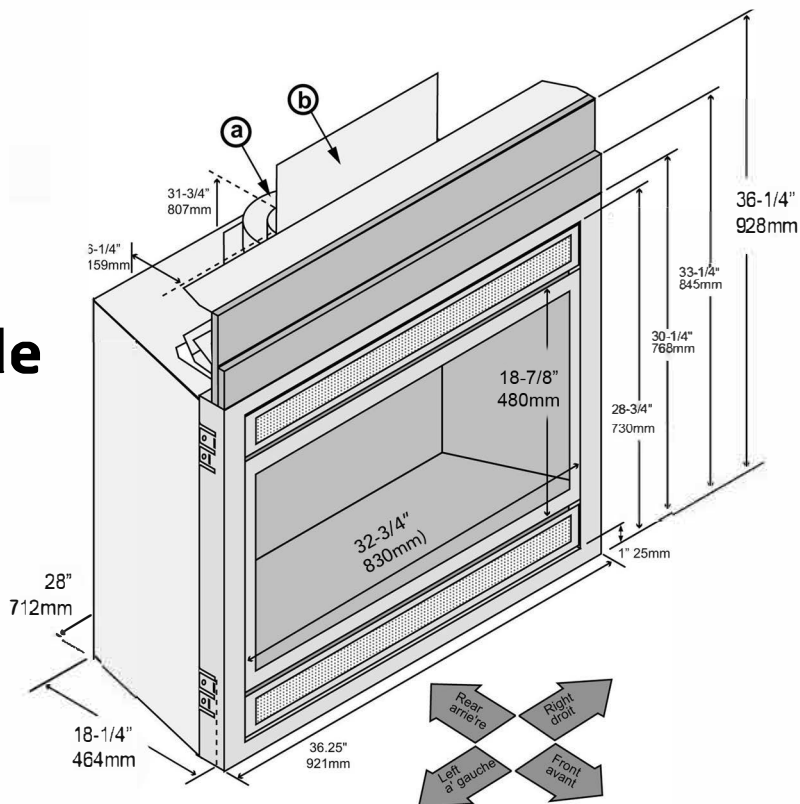




**TRAVIS INDUSTRIES
HOUSE OF FIRE**

12521 HARBOUR REACH DRIVE
MUKILTEO, WA 98275-5458

564 HO GSR2 Framing Guide

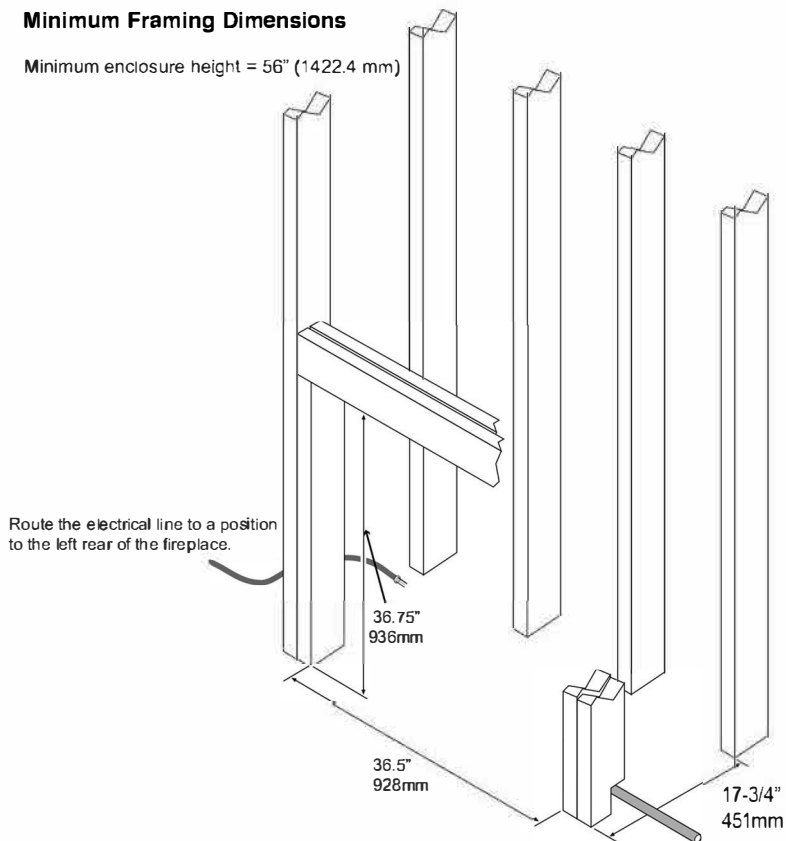


(a) Center Location of Vent

(b) Heat Shield (must be bent vertically after fireplace is in location)

Minimum Framing Dimensions

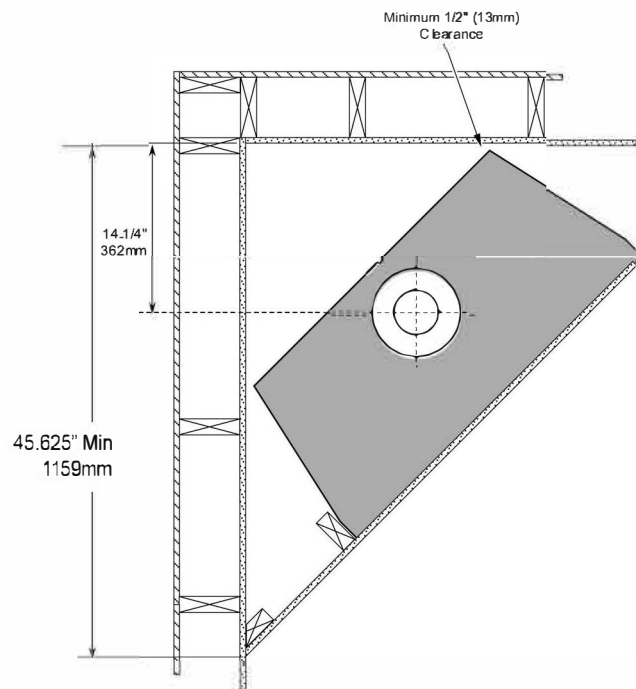
Minimum enclosure height = 56" (1422.4 mm)



WARNING: A cut-out for the gas line may be required on the framing. See the dimensions under "Gas Line Connection" for details.

Corner Installations

A typical 45° installation uses the framing dimensions shown in the illustration below (NOTE: all clearances still apply).

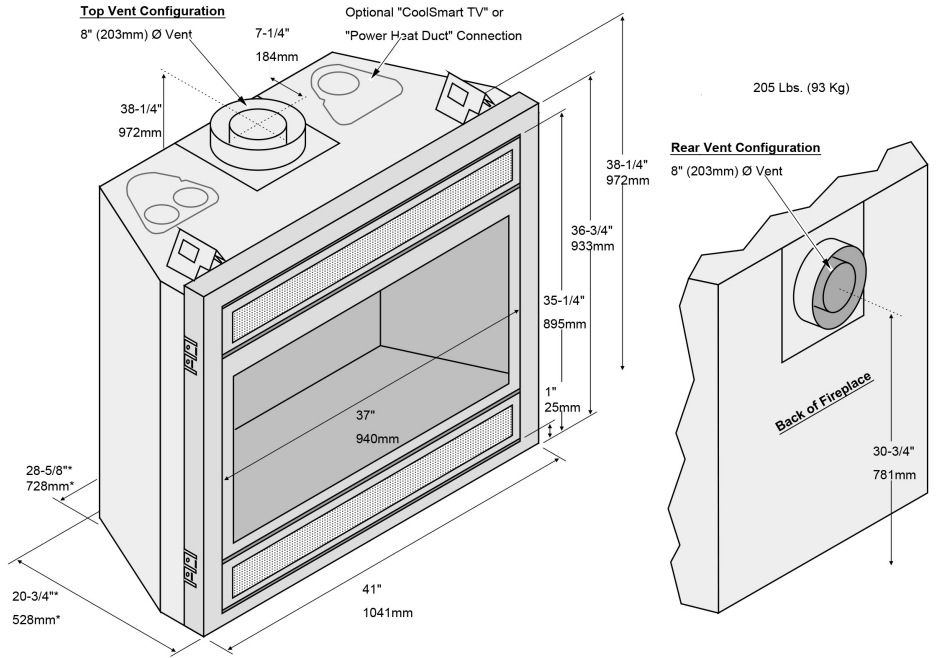


Dimensions

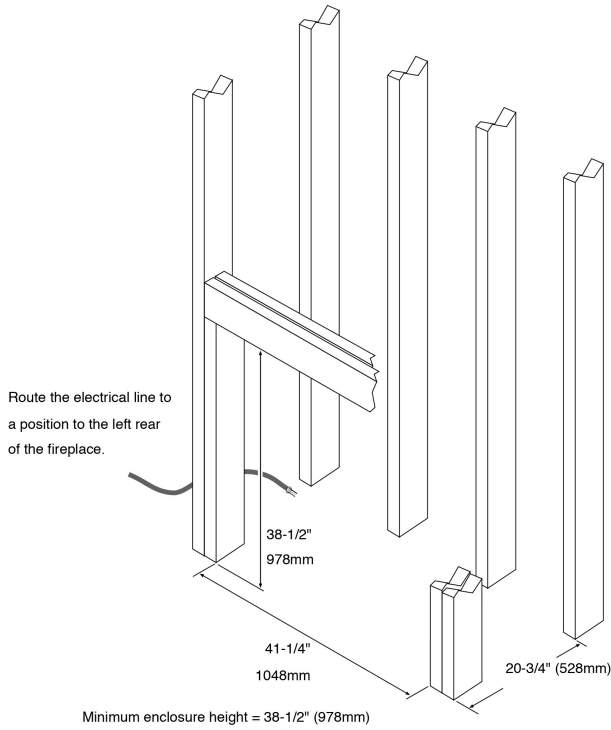
864 TRV 31K Framing Guide



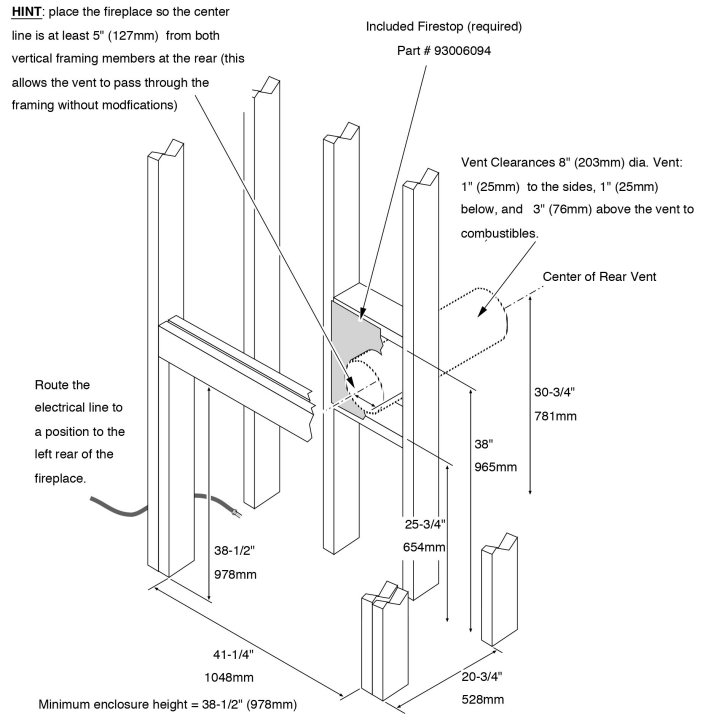
TRAVIS INDUSTRIES
HOUSE OF FIRE
 12521 HARBOUR REACH DRIVE
 MUKILTEO, WA 98275-5458



Minimum Framing Dimensions - Top Vent Configuration

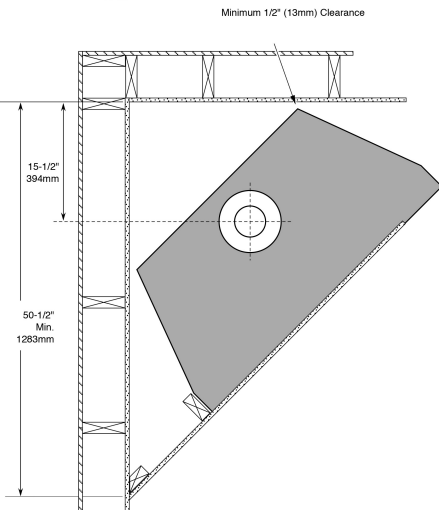


Minimum Framing Dimensions - Rear Vent Configuration



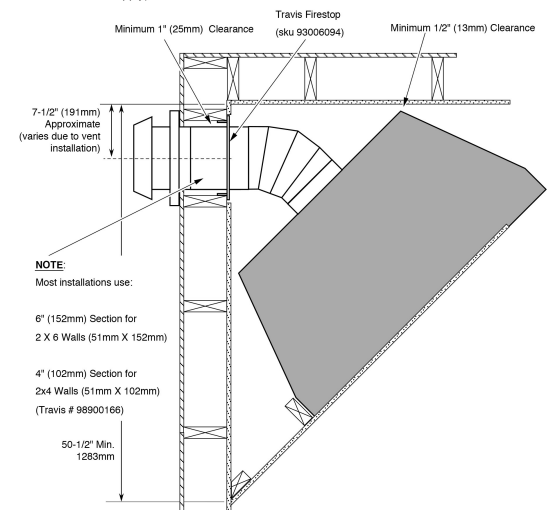
Corner Installations - Top Vent Configuration

A typical 45° installation uses the framing dimensions shown in the illustration below (NOTE: all clearances still apply).



Corner Installations - Rear Vent Configuration

A typical 45° installation uses the framing dimensions shown in the illustration below (NOTE: all clearances still apply).

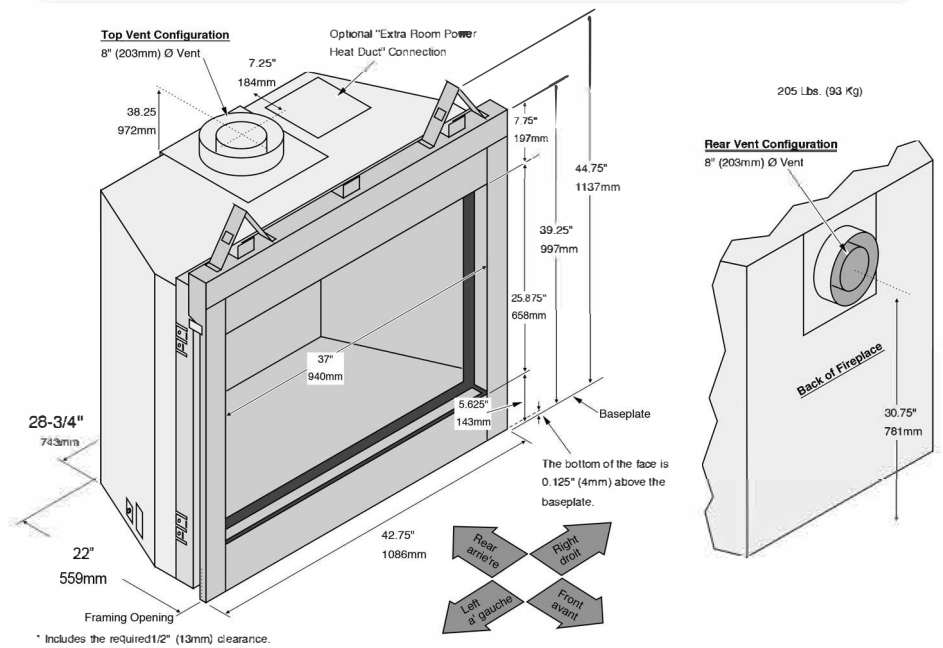


864 TRV CF 31K Framing Guide



TRAVIS INDUSTRIES
HOUSE OF FIRE

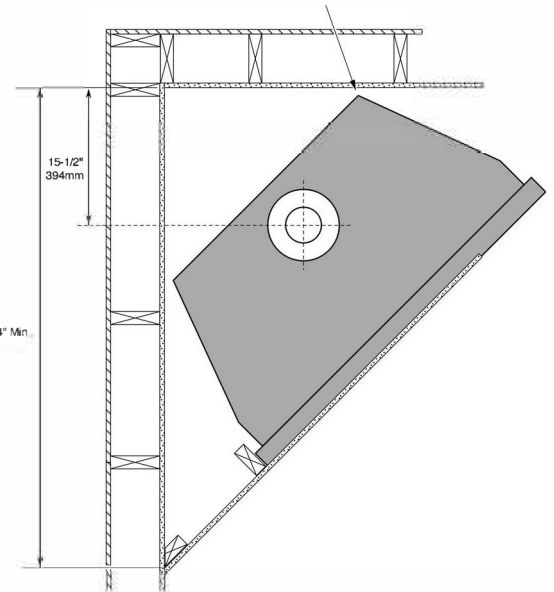
1 2521 HARBOUR REACH DRIVE
MUKILTEO, WA 98275-5458



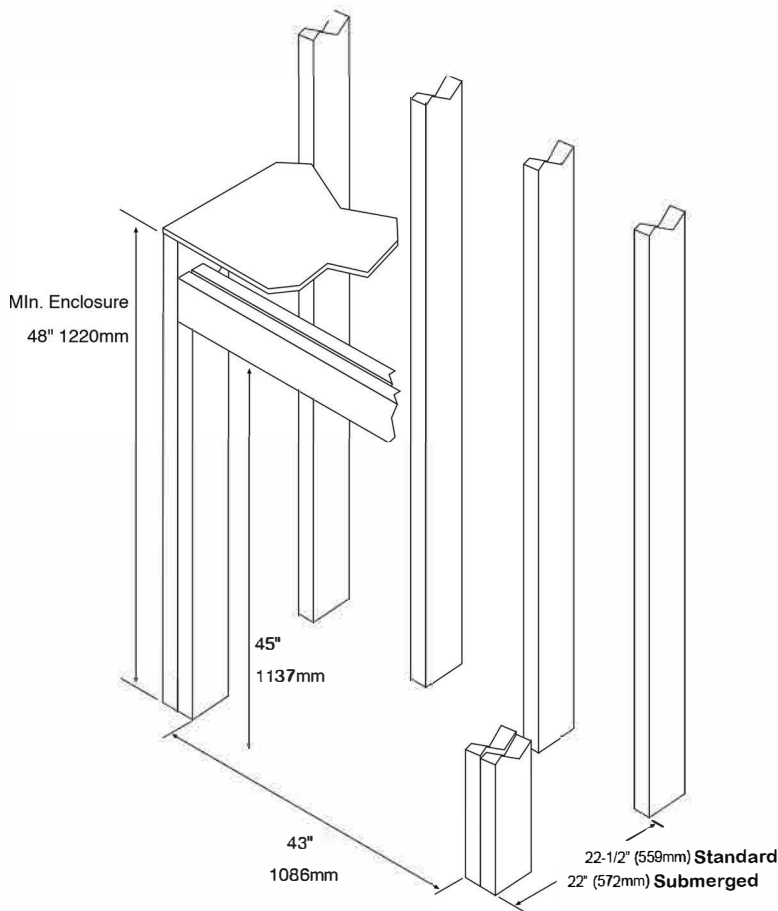
Corner Installations - Top Vent Configuration

A typical 45° installation uses the framing dimensions shown in the illustration below (NOTE: all clearances still apply).

Minimum 1/2" (13mm) Clearance

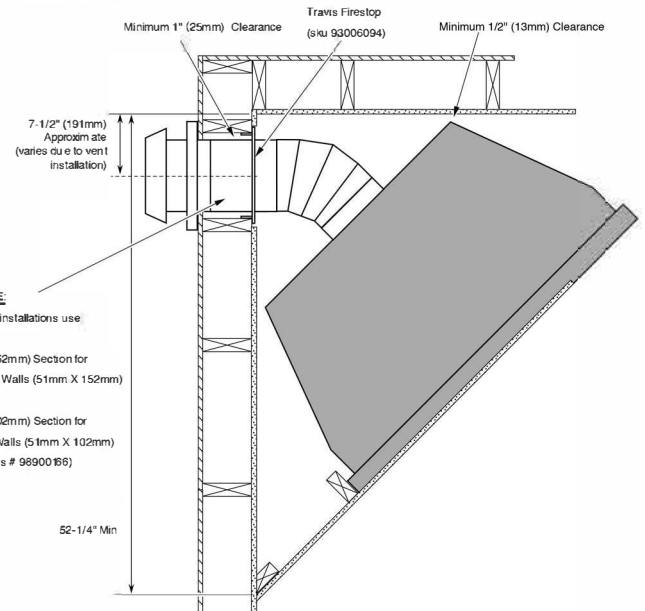


Minimum Framing Dimensions



Corner Installations - Rear Vent Configuration

A typical 45° installation uses the framing dimensions shown in the illustration below (NOTE: all clearances still apply).

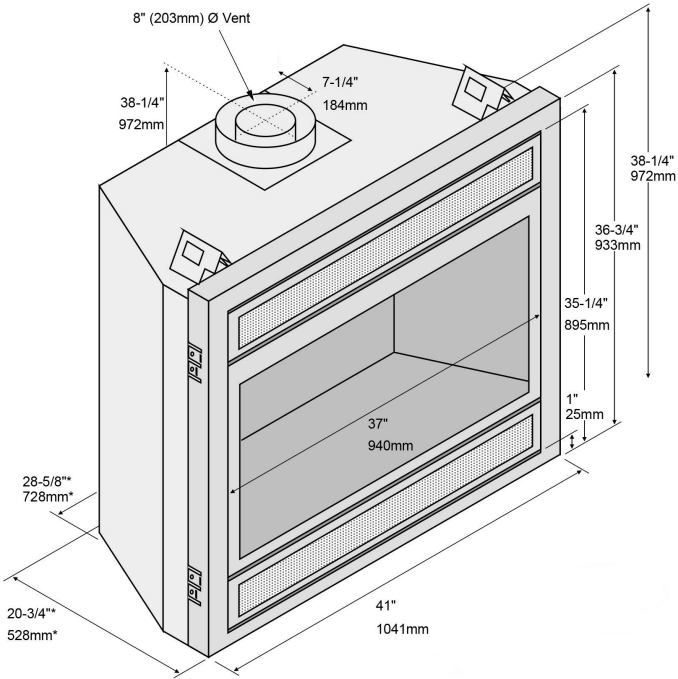


864 TV 40K GSR2 Framing Guide

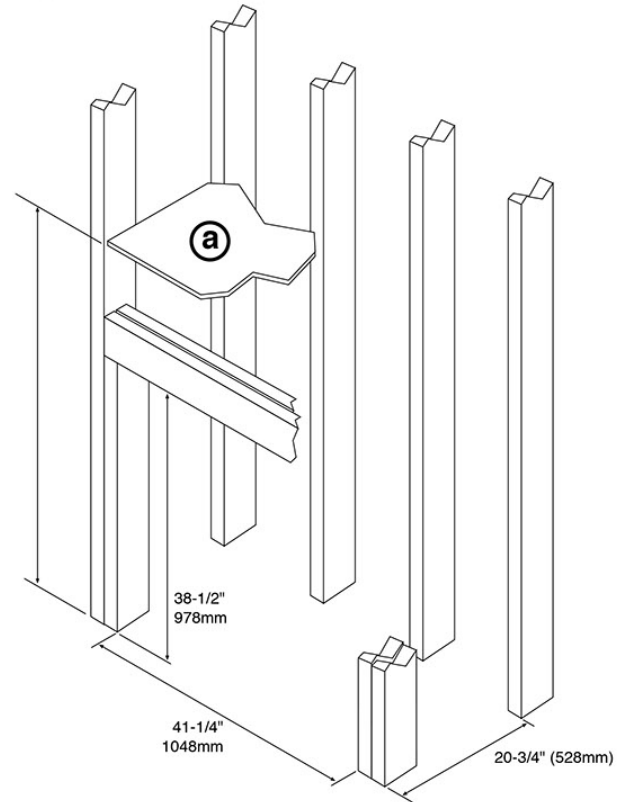


TRAVIS INDUSTRIES
HOUSE OF FIRE

1 2521 HARBOUR REACH DRIVE
MUKILTEO, WA 98275-5458



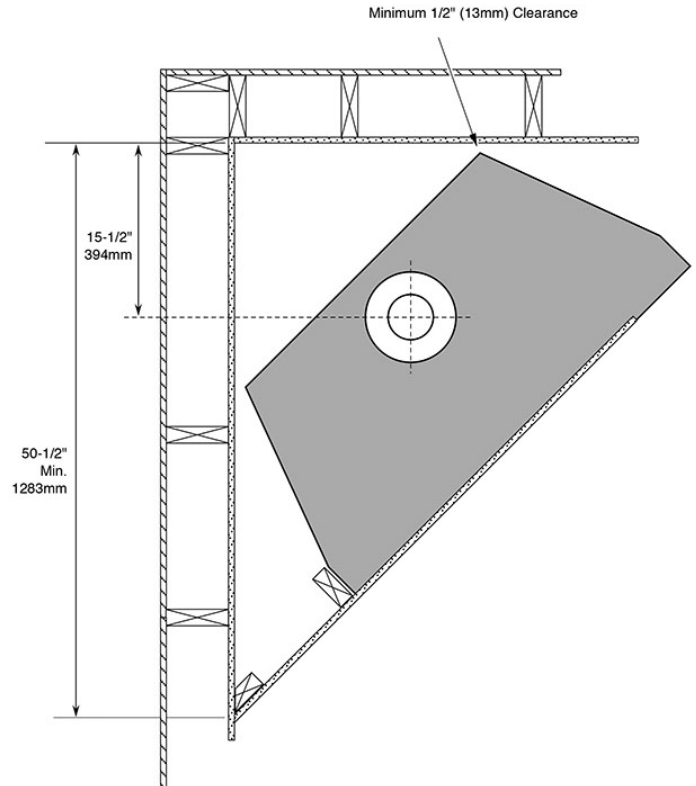
Minimum Framing Dimensions



a Minimum enclosure height = 62-3/4" (1594mm)

Corner Installations

A typical 45° installation uses the framing dimensions shown in the illustration below (NOTE: all clearances still apply).

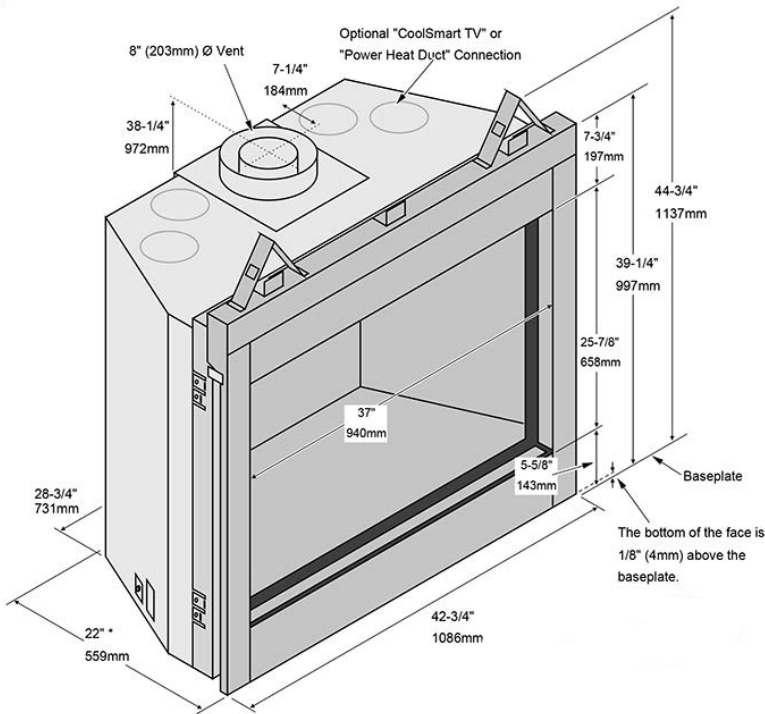


864 TV 40K Clean Face GSR2 Framing Guide

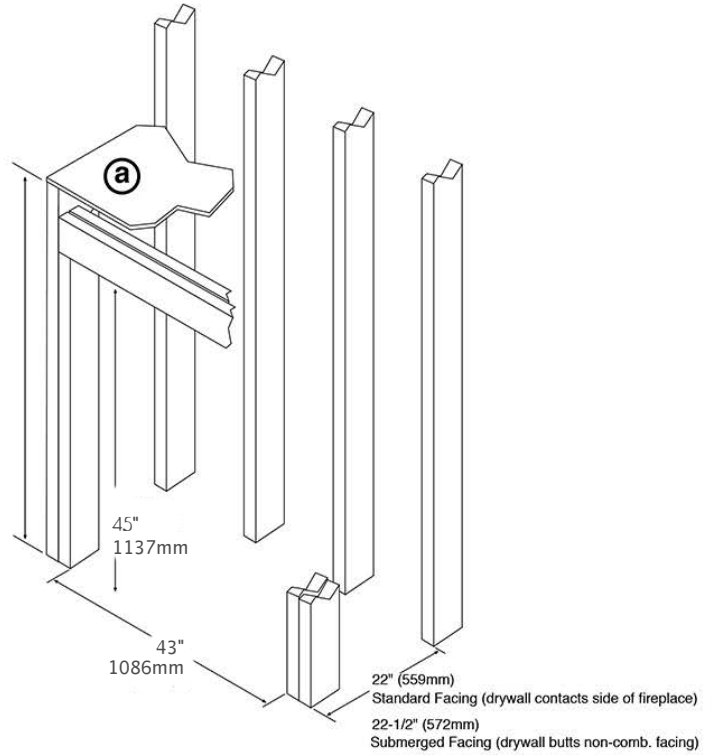


TRAVIS INDUSTRIES
HOUSE OF FIRE
12521 HARBOUR REACH DRIVE
MUKILTEO, WA 98275-5458

Dimensions

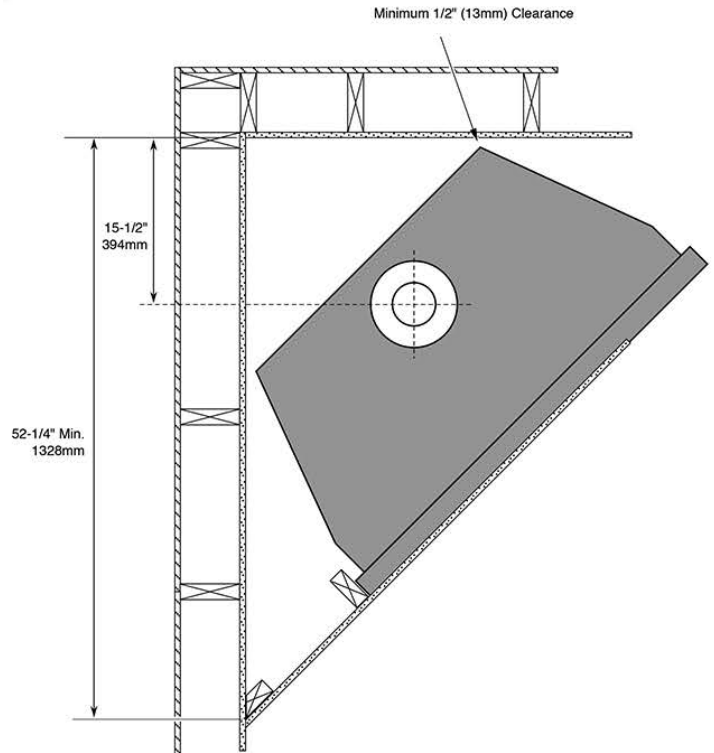


Minimum Framing Dimensions



Corner Installations

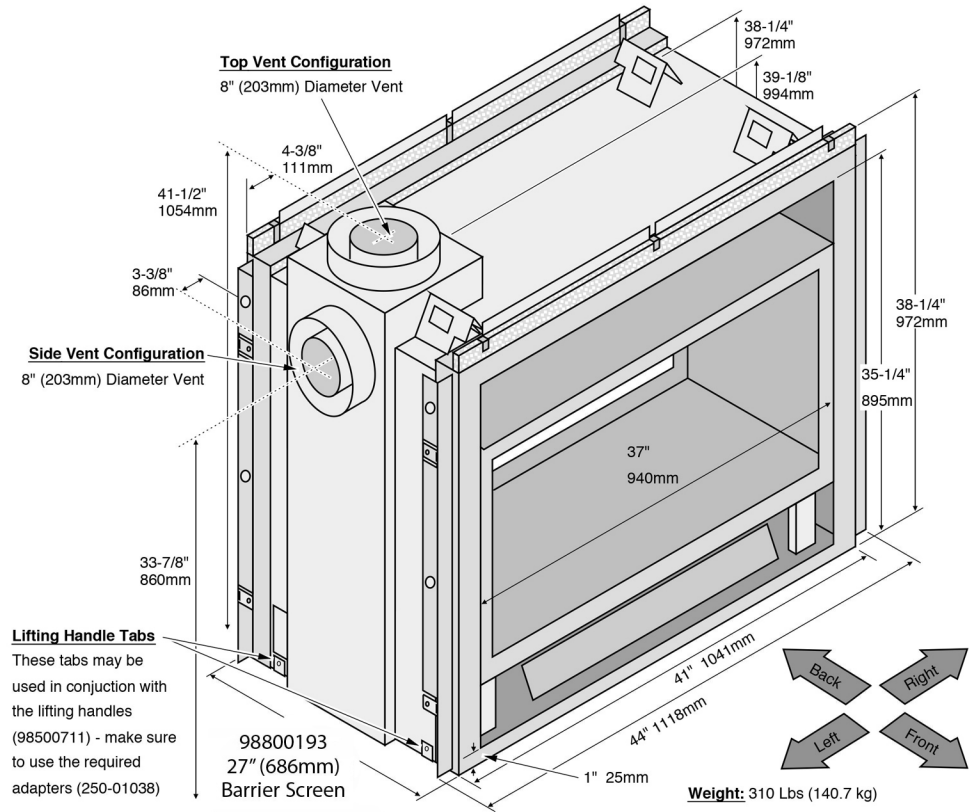
A typical 45° installation uses the framing dimensions shown in the illustration below (NOTE: all clearances still apply).



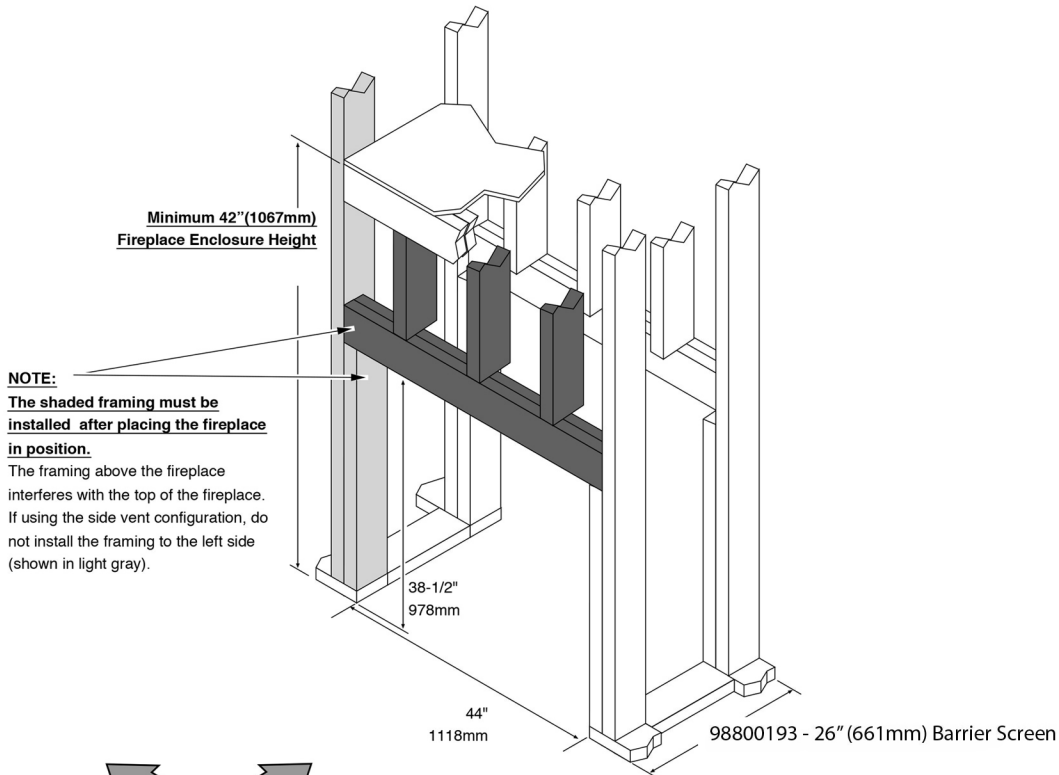
864 ST GSR2 Framing Guide



TRAVIS INDUSTRIES
HOUSE OF FIRE
12521 HARBOUR REACH DRIVE
MUKILTEO, WA 98275-5458



Minimum Framing Dimensions – Top or Side Vent Configuration

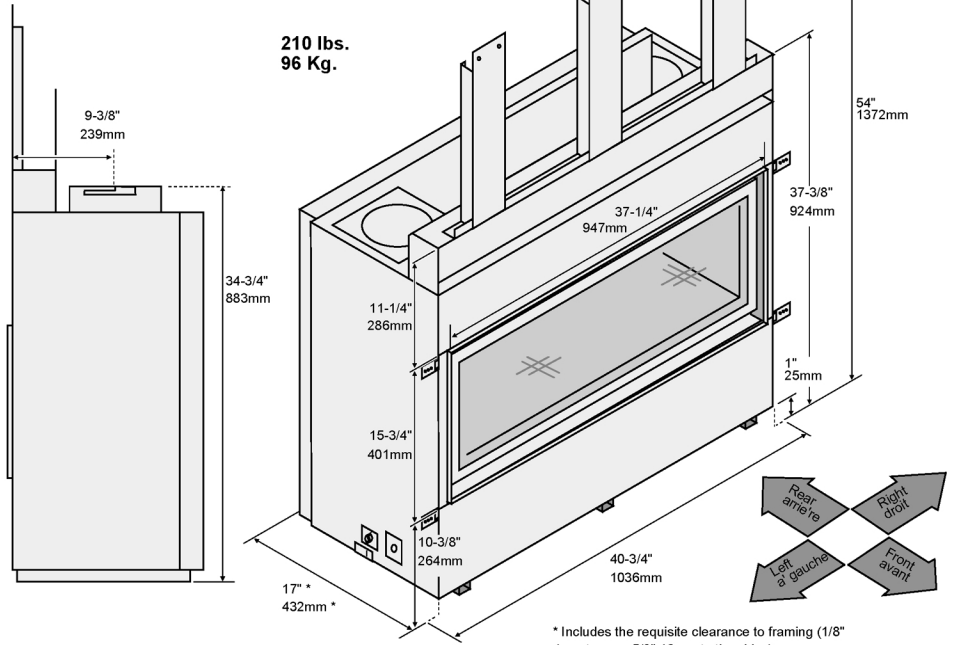


* The dimension is based upon 1/2" (13mm) drywall around the perimeter of the fireplace on both sides. If using thicker drywall (or other facing), you will need to adjust this dimension.

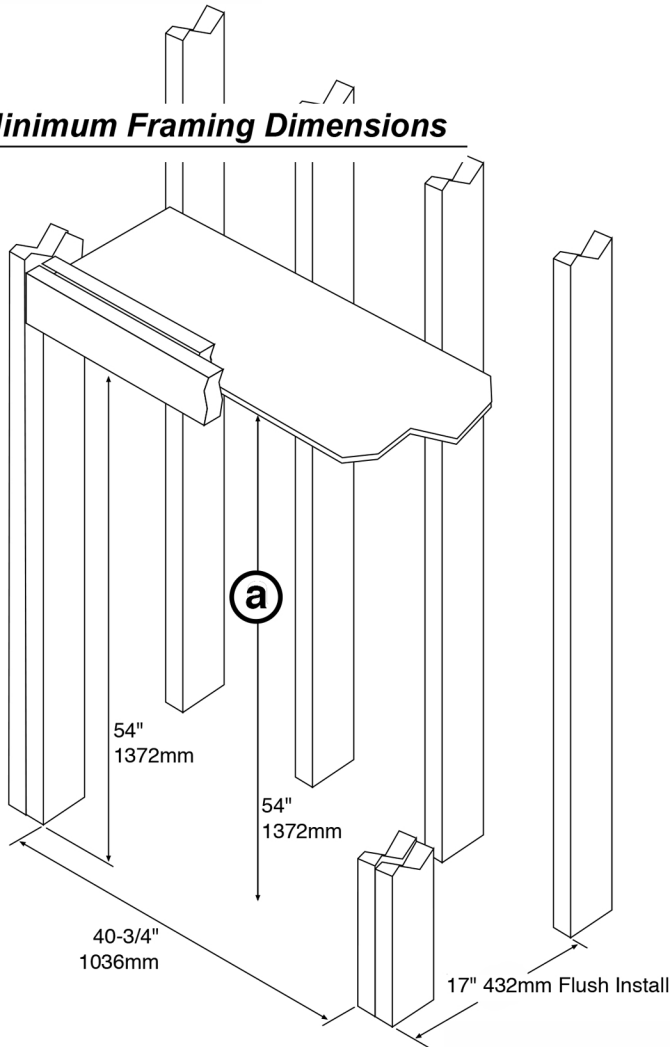
3615 HO Framing Guide



TRAVIS INDUSTRIES
HOUSE OF FIRE
12521 HARBOUR REACH DRIVE
MUKILTEO, WA 98275-5458



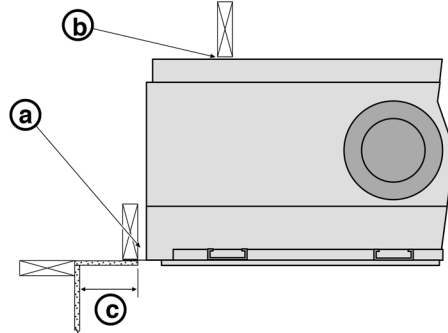
Minimum Framing Dimensions



(a) The fireplace enclosure must be a minimum 54" 1372mm tall (do not build into the fireplace enclosure)

Clearances

- (a) Clearance to Side of Fireplace 5/8" (16mm). Do not place insulation in this space.
- (b) Clearance to Back of Fireplace 1/8" (4mm). Do not place insulation in this space.
- (c) When installed, walls in front of the fireplace must be a minimum 3" (77mm) to the side of the fireplace.



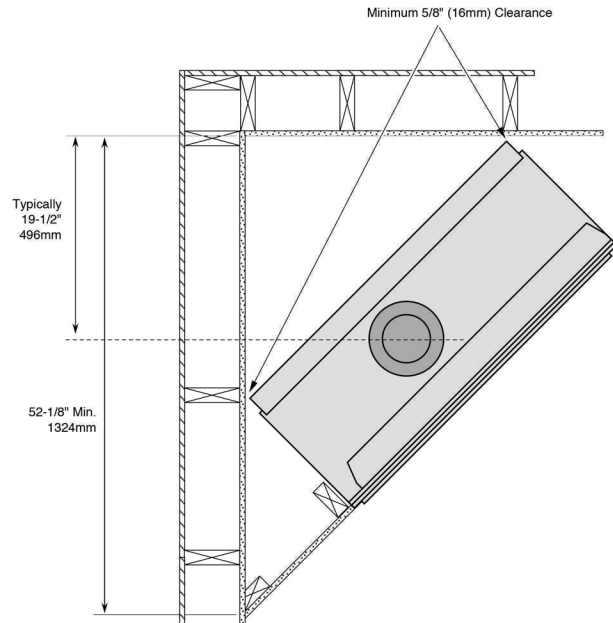
Raised Fireplaces

- The fireplace (and hearth, if desired) may be placed on a platform designed to support the fireplace and vent.
- The base of the fireplace must be a minimum 54" below the room ceiling.

(f) The firebox opening is approximately 10.375" (264mm) above the base of the fireplace. For a typical raised fireplace of 36" (915mm), place the fireplace on a platform 25.625" (651mm) tall.

Corner Installations

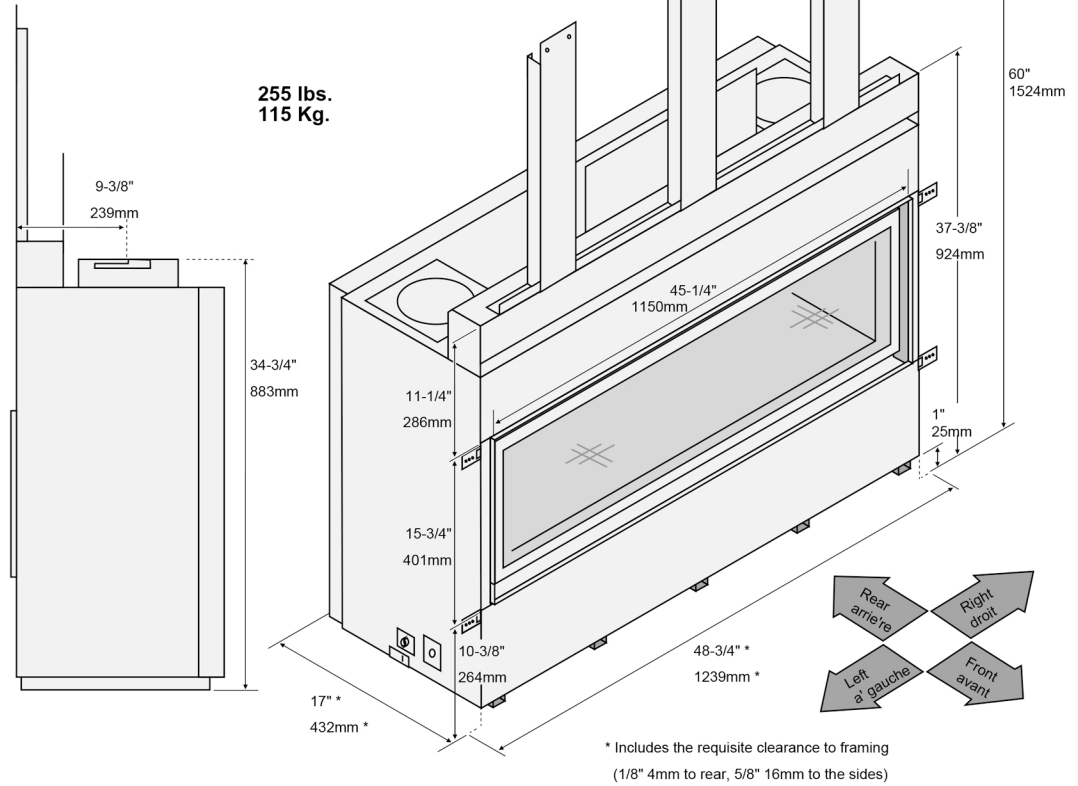
A typical 45° installation uses the framing dimensions shown in the illustration below (NOTE: all clearances still apply).



4415 HO Framing Guide

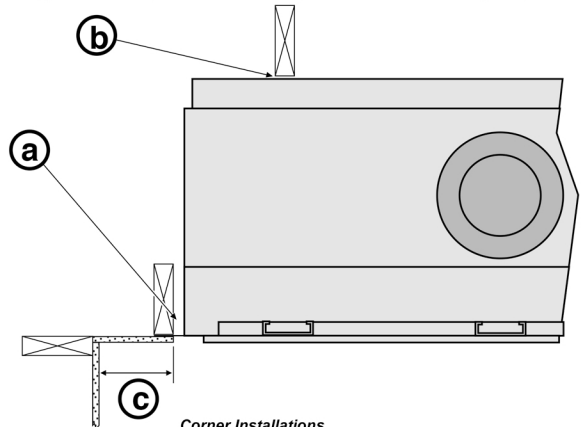


TRAVIS INDUSTRIES
HOUSE OF FIRE
12521 HARBOUR REACH DRIVE
MUKILTEO, WA 98275-5458



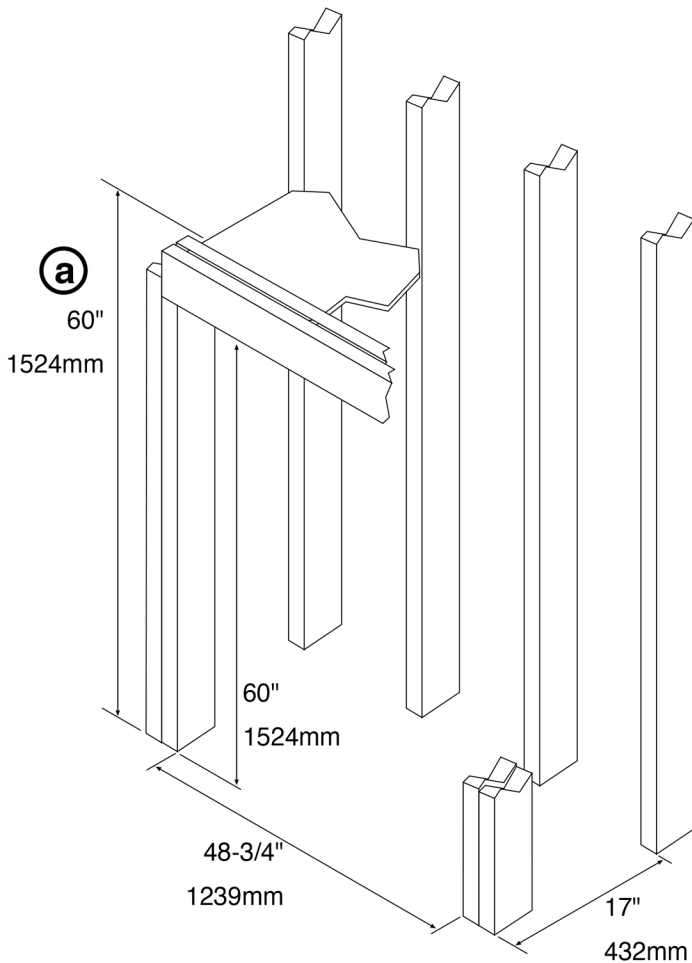
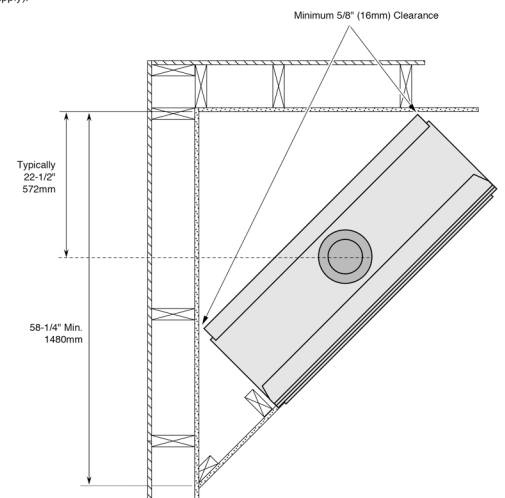
Clearances

- (a) Clearance to Side of Fireplace 5/8" (16mm). Do not place insulation in this space.
- (b) Clearance to Back of Fireplace 1/8" (4mm). Do not place insulation in this space.
- (c) When installed, walls in front of the fireplace must be a minimum 3" (77mm) to the side of the fireplace.



Corner Installations

A typical 45° installation uses the framing dimensions shown in the illustration below (NOTE: all clearances still apply).



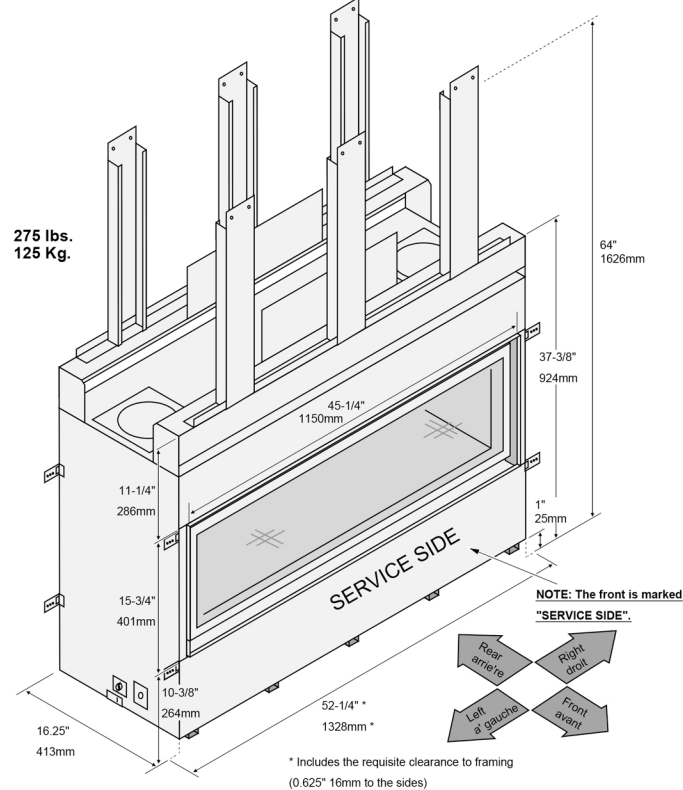
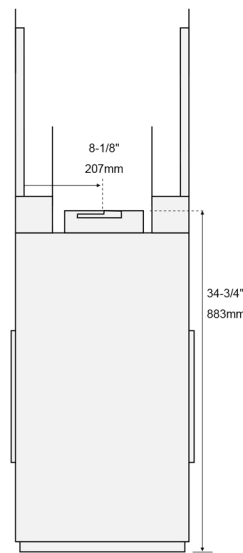
(a) The fireplace enclosure must be a minimum 60" tall (do not build into the fireplace enclosure)

4415 HO See-Thru Framing Guide



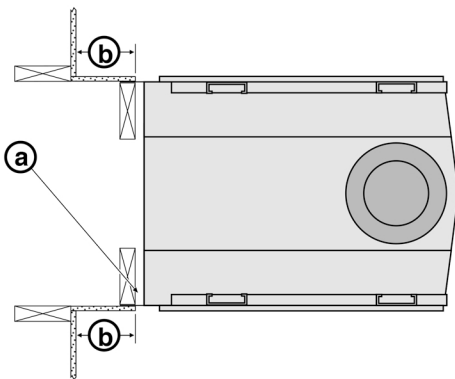
TRAVIS INDUSTRIES
HOUSE OF FIRE

12521 HARBOUR REACH DRIVE
MUKILTEO, WA 98275-5458



Clearances

- (a) Clearance to Side of Fireplace 5/8" (16mm). Do not place insulation in this space.
- (b) When installed, walls in front of the fireplace must be a minimum 3" (77mm) to the side of the fireplace.



Raised Fireplaces

- The fireplace (and hearth, if desired) may be placed on a platform designed to support the fireplace and vent.
- The base of the fireplace must be a minimum 64" (1626mm) below the room ceiling.

i The firebox opening is approximately 10-3/8" (264mm) above the base of the fireplace. For a typical raised fireplace of 36" (915mm), place the fireplace on a platform 25-5/8" (651mm) tall.

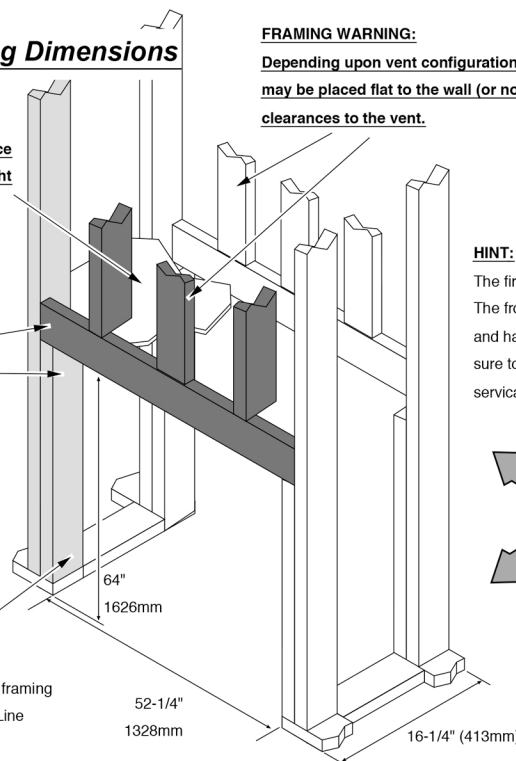
Minimum Framing Dimensions

Minimum 64" (1626mm) Fireplace Enclosure Height

HINT:
The shaded framing is best installed after placing the fireplace in position.

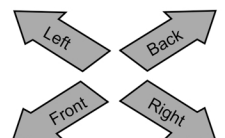
The framing above the fireplace conceals the top of the fireplace during installation (shown in dark gray). If using the side vent configuration, do not install the framing to the left side as well (shown in light gray).

NOTE ON GAS INLET:
You may need to notch the framing for the gas inlet (see "Gas Line Location" for details).



FRAMING WARNING:
Depending upon vent configuration, framing above the fireplace may be placed flat to the wall (or notched) to allow proper clearances to the vent.

HINT:
The fireplace has a front and back side. The front is marked "SERVICE SIDE" and has latches for servicing. Make sure to place the front in the more servicable location.

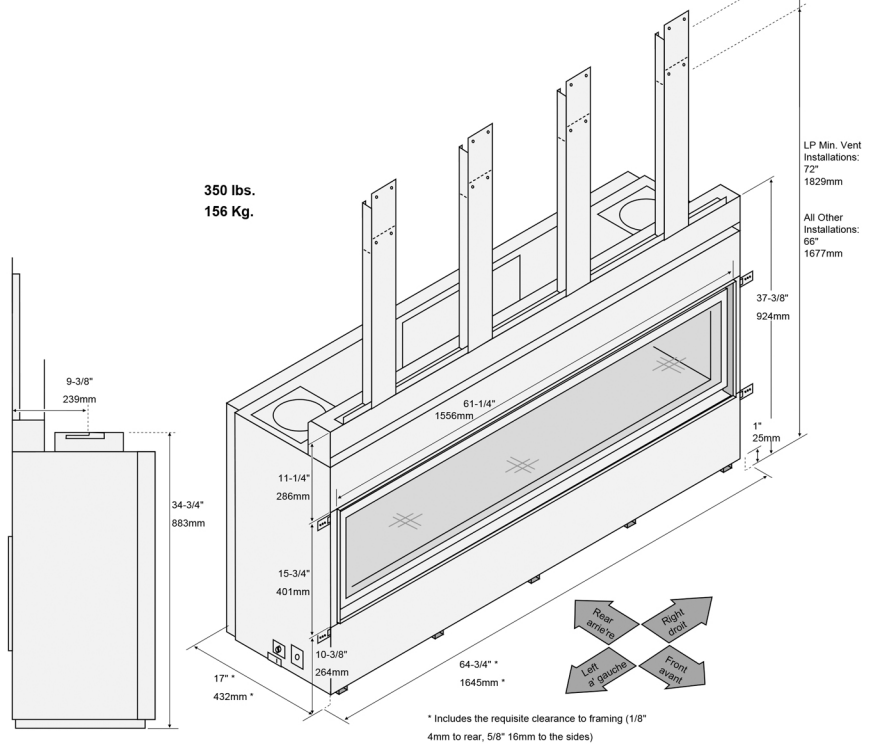


6015 HO Framing Guide



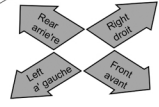
TRAVIS INDUSTRIES
HOUSE OF FIRE
12521 HARBOUR REACH DRIVE
MUKILTEO, WA 98275-5458

350 lbs.
156 Kg.



LP Min. Vent
Installations:
72"
1829mm

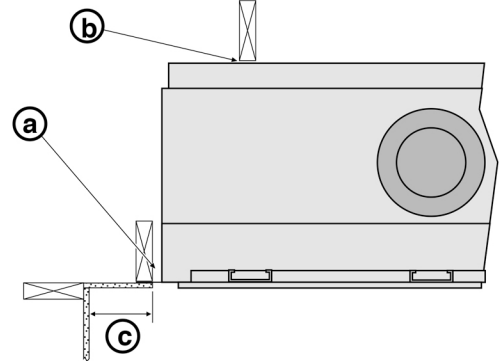
All Other
Installations:
66"
1677mm



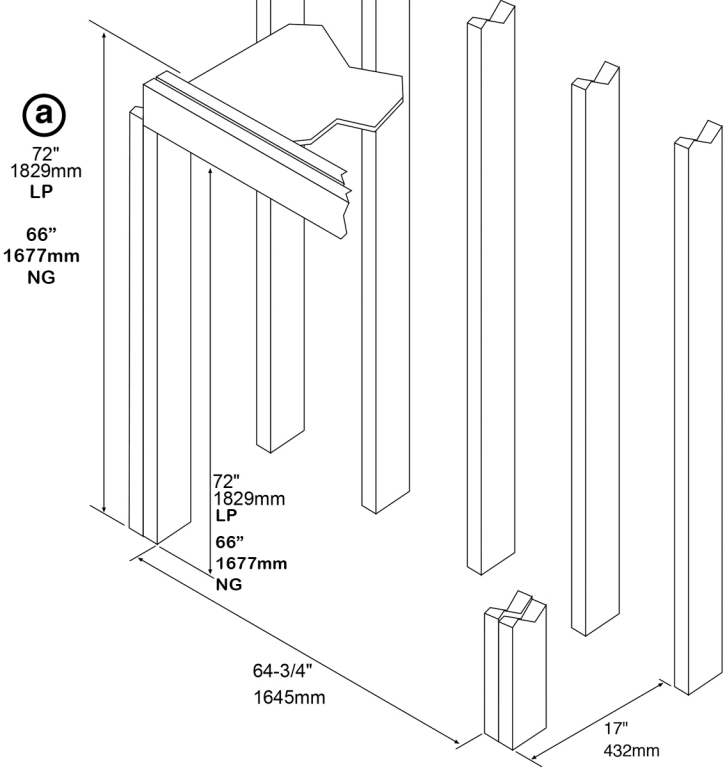
* Includes the requisite clearance to framing (1/8" 4mm to rear, 5/8" 16mm to the sides)

Clearances

- (a) Clearance to Side of Fireplace 5/8" (16mm). Do not place insulation in this space.
- (b) Clearance to Back of Fireplace 1/8" (4mm). Do not place insulation in this space.
- (c) When installed, walls in front of the fireplace must be a minimum 3" (77mm) to the side of the fireplace.



Minimum Framing Dimensions – with Minimum Vent (24" Rise)



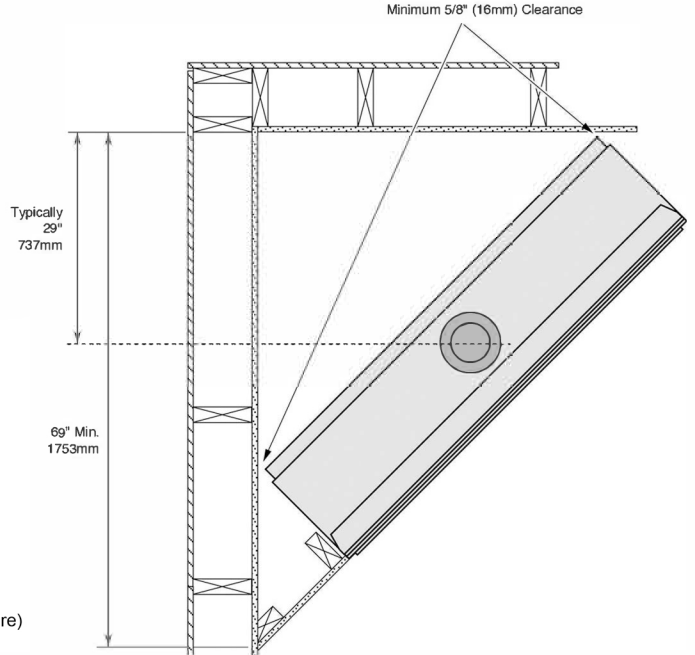
Raised Fireplaces

- The fireplace (and hearth, if desired) may be placed on a platform designed to support the fireplace and vent.
- The base of the fireplace must be a minimum 66" below the room ceiling.

i The firebox opening is approximately 10.375" (264mm) above the base of the fireplace. For a typical raised fireplace of 36" (915mm), place the fireplace on a platform 25.625" (651mm) tall.

LP MIN VENT APPLICATIONS: Framing opening for LP min vent applications is 72" (1829mm). MAKE SURE TO ACCOMMODATE THE REQUIRED FRAMING OPENING.

Corner Installations



(a) The fireplace enclosure must be a minimum 72" (1829mm) tall (do not build into the fireplace enclosure)

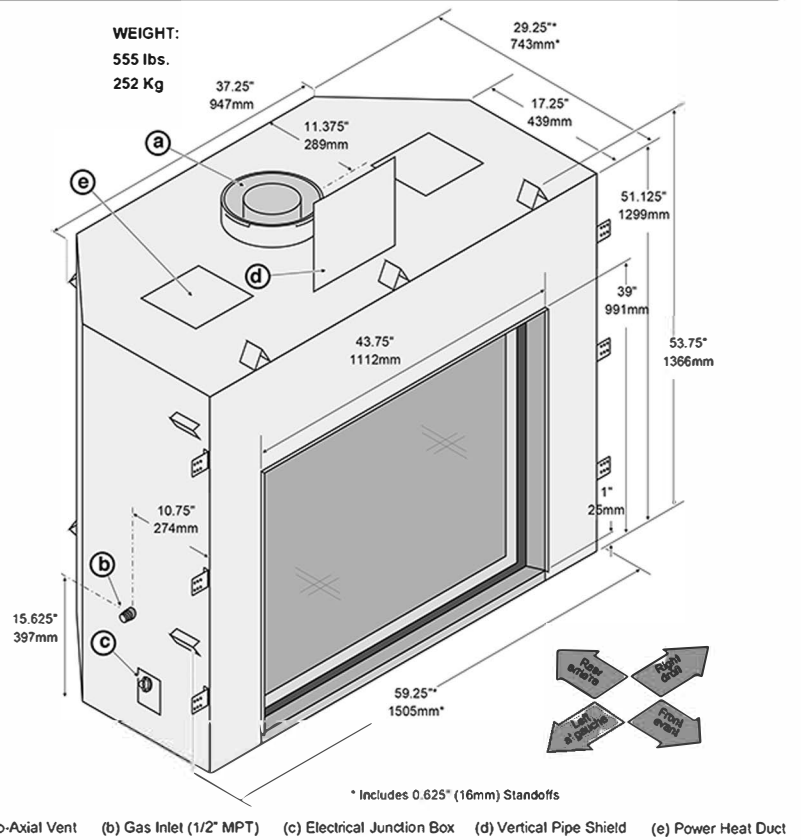
4237 Clean Face Framing Guide



TRAVIS INDUSTRIES
HOUSE OF FIRE

12521 HARBOUR REACH DRIVE
MUKILTEO, WA 98275-5458

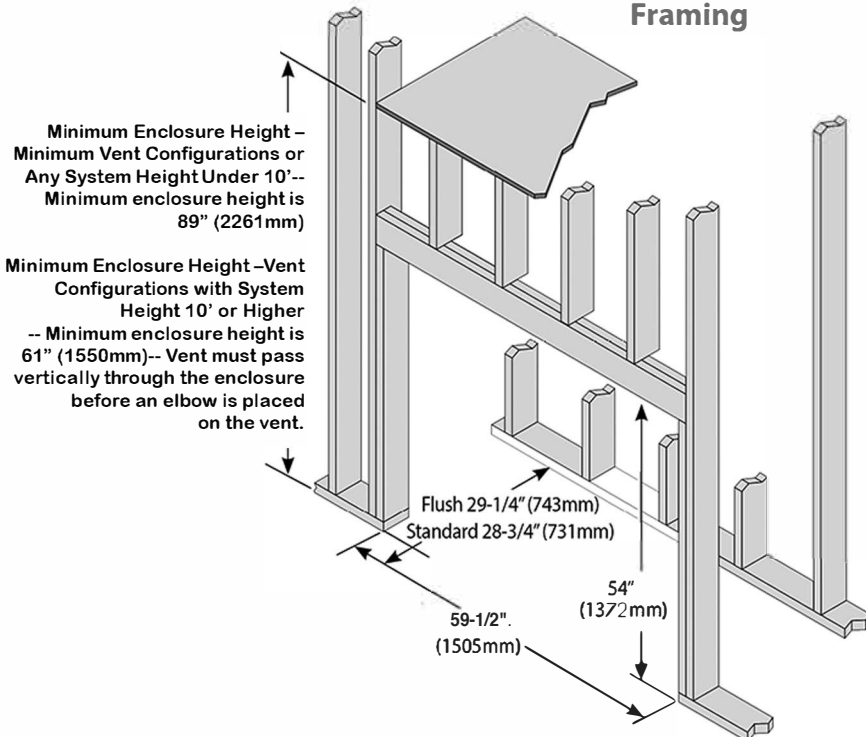
Dimensions



Installation

Always refer to the Installation Manual for complete installation information.

Framing



Clearances to Combustibles

From Sides of Fireplace:	.625" (16mm)
To Adjacent Walls:	0"
From Back of Fireplace:	.625" (16mm)
Bottom of Fireplace:	0"
Combustibles:	May contact the front .5" (13mm) of the fireplace along the top and sides

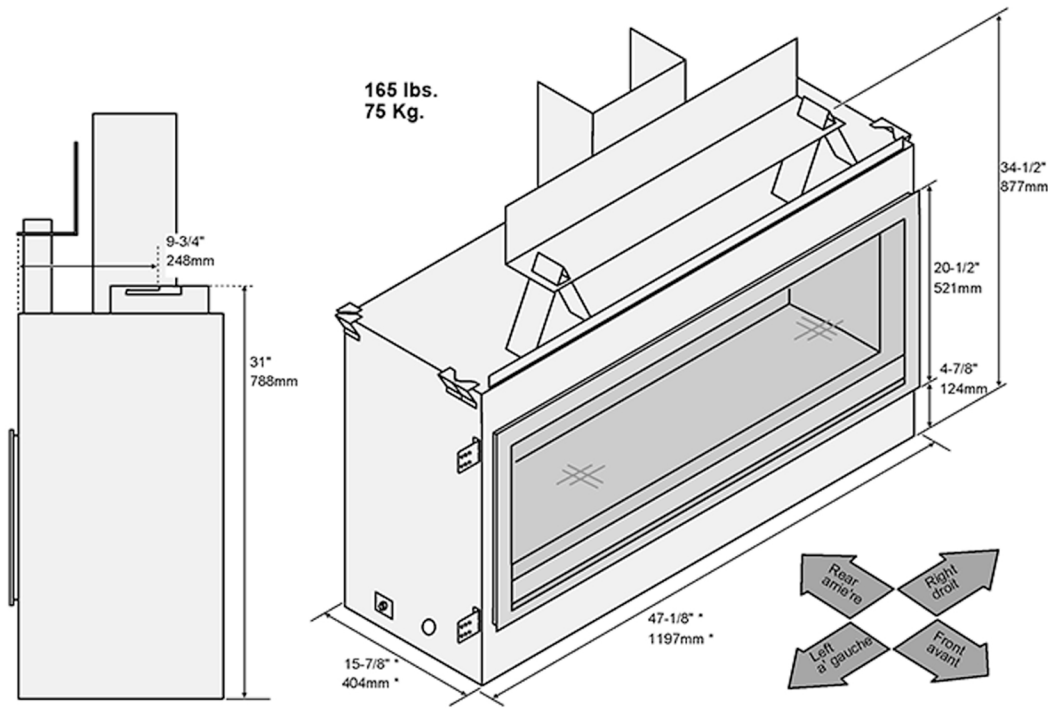
Dimensions

ProBuilder 42 Framing Guide



TRAVIS INDUSTRIES
HOUSE OF FIRE

12521 HARBOUR REACH DRIVE
MUKILTEO, WA 98275-5458

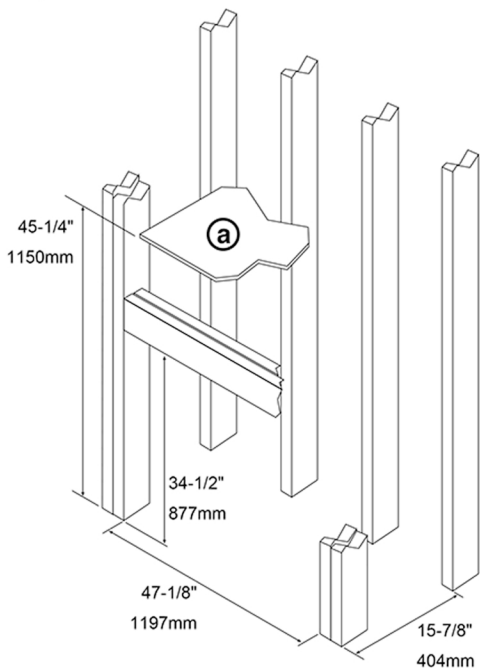


* Includes the required 1/2" clearance to each side and rear of the fireplace.

Installation

Always refer to the Installation Manual for complete installation information.

Minimum Framing Dimensions



a The fireplace enclosure must be a minimum 45-1/4" (1150mm) tall. Do not build into the fireplace enclosure.

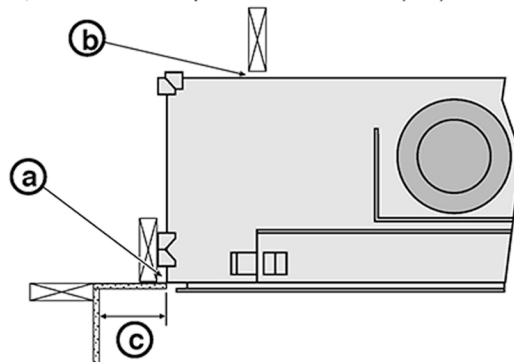
Corner Installations

A typical 45° installation uses the framing dimensions shown in the illustration below (NOTE: all clearances still apply).

(a) Corner to Wall (minimum)	53-1/2" 1359mm
(b) Corner to Center of Flue (typical)	20-3/4" 528mm

Clearances

- (a) Clearance to Side of Fireplace 1/2" (13mm). Do not place insulation in this space. NOTE: Drywall (or other combustible) may contact the first 1/2" of the sides of the fireplace.
- (b) Clearance to Back of Fireplace 1/2" (13mm). Do not place insulation in this space.
- (c) When installed, walls in front of the fireplace must be a minimum 0" (0mm) to the side of the fireplace.

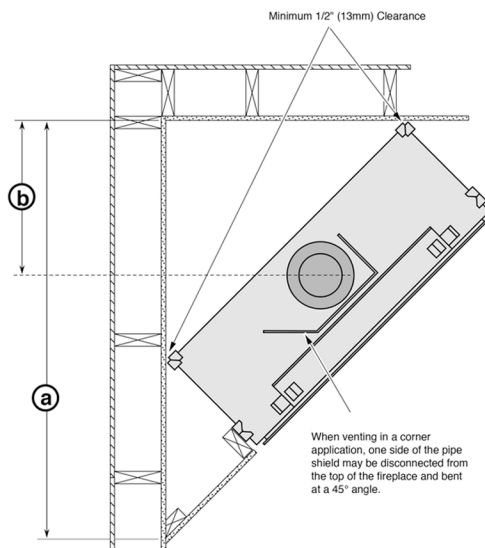


Raised Fireplaces

- The fireplace (and hearth, if desired) may be placed on a platform designed to support the fireplace and vent.
- The base of the fireplace must be a minimum 60" below the room ceiling.



The top of the control door (firebox opening) is approximately 8-3/4" (223mm) above the base of the fireplace. For a typical raised fireplace of 36" (915mm), place the fireplace on a platform 27.25" (693mm) tall.



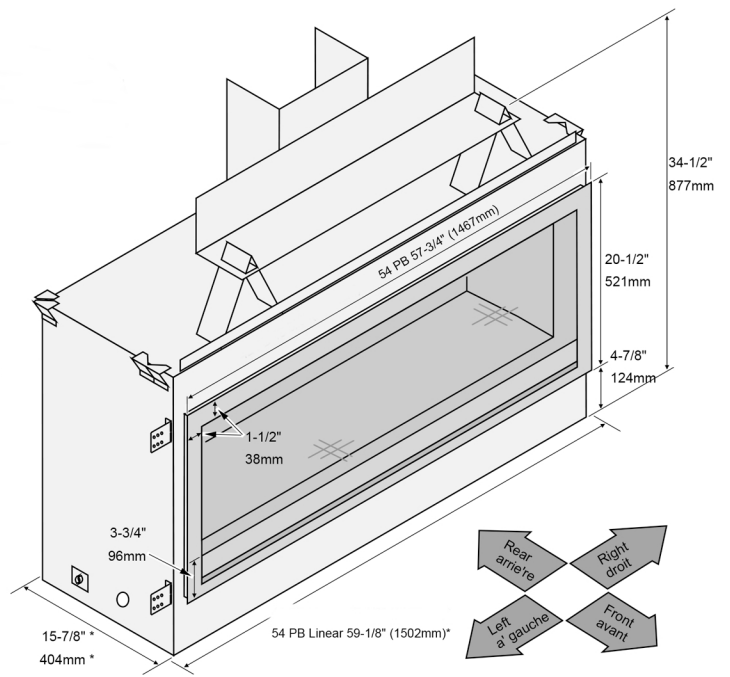
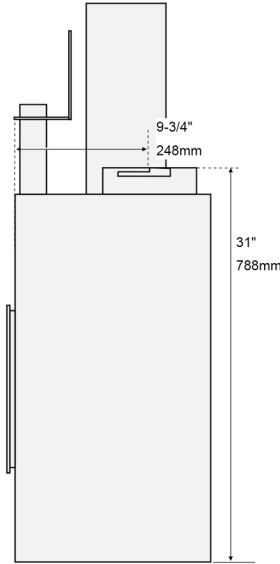
When venting in a corner application, one side of the pipe shield may be disconnected from the top of the fireplace and bent at a 45° angle.

ProBuilder 54 Framing Guide



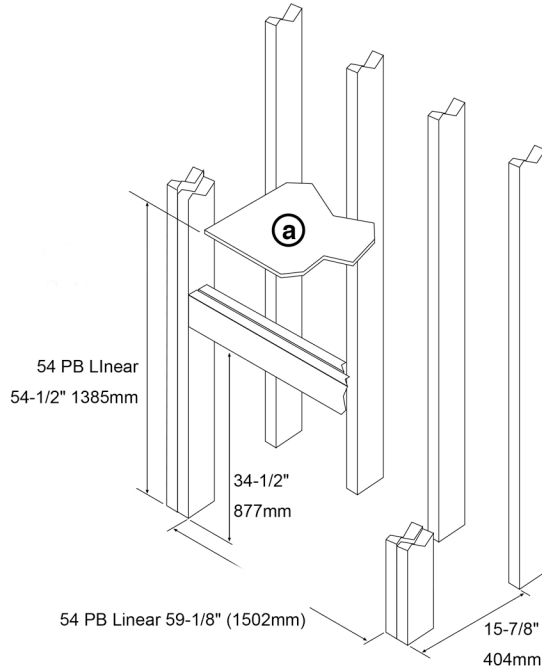
TRAVIS INDUSTRIES
HOUSE OF FIRE
12521 HARBOUR REACH DRIVE
MUKILTEO, WA 98275-5458

Dimensions



* Includes the required 1/2" clearance to each side and rear of the fireplace.

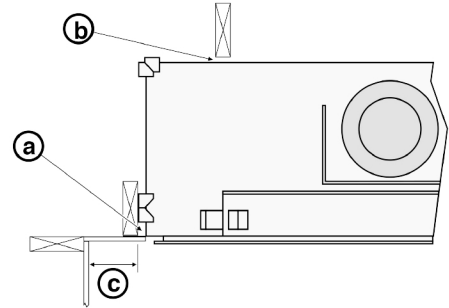
Minimum Framing Dimensions



(a) The fireplace enclosure must be a minimum 45-1/4" (1150mm) for the 42PB or 54-1/2" (1385mm) tall for the 54PB. Do not build into the fireplace enclosure.

Clearances

- (a) Clearance to Side of Fireplace 1/2" (13mm). Do not place insulation in this space. NOTE: Drywall (or other combustible) may contact the first 1/2" of the sides of the fireplace.
- (b) Clearance to Back of Fireplace 1/2" (13mm). Do not place insulation in this space.
- (c) When installed, walls in front of the fireplace must be a minimum 0" (0mm) to the side of the fireplace standoffs.



Raised Fireplaces

- The fireplace (and hearth, if desired) may be placed on a platform designed to support the fireplace and vent.
- The base of the fireplace must be a minimum 60" (1524mm) below the room ceiling.

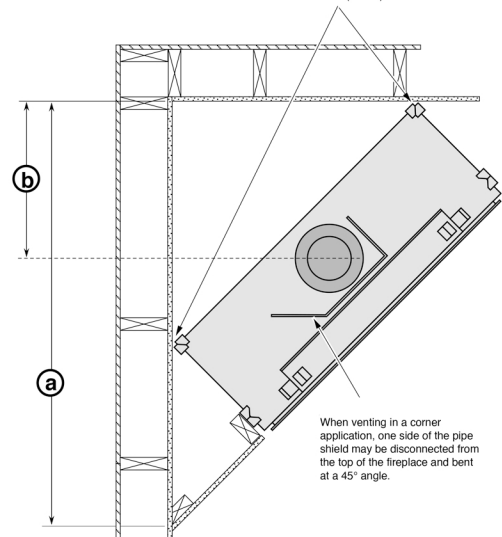
(f) The top of the control door (firebox opening) is approximately 8-3/4" (223mm) above the base of the fireplace. For a typical raised fireplace of 36" (915mm), place the fireplace on a platform 27.25" (693mm) tall.

Corner Installations

A typical 45° installation uses the framing dimensions shown in the illustration below (NOTE: all clearances still apply).

	42PB	54PB
(a) Corner to Wall (minimum)	53-1/2" 1359mm	63-3/4" 1619mm
(b) Corner to Center of Flue (typical)	20-3/4" 528mm	25" 635mm

Minimum 1/2" (13mm) Clearance



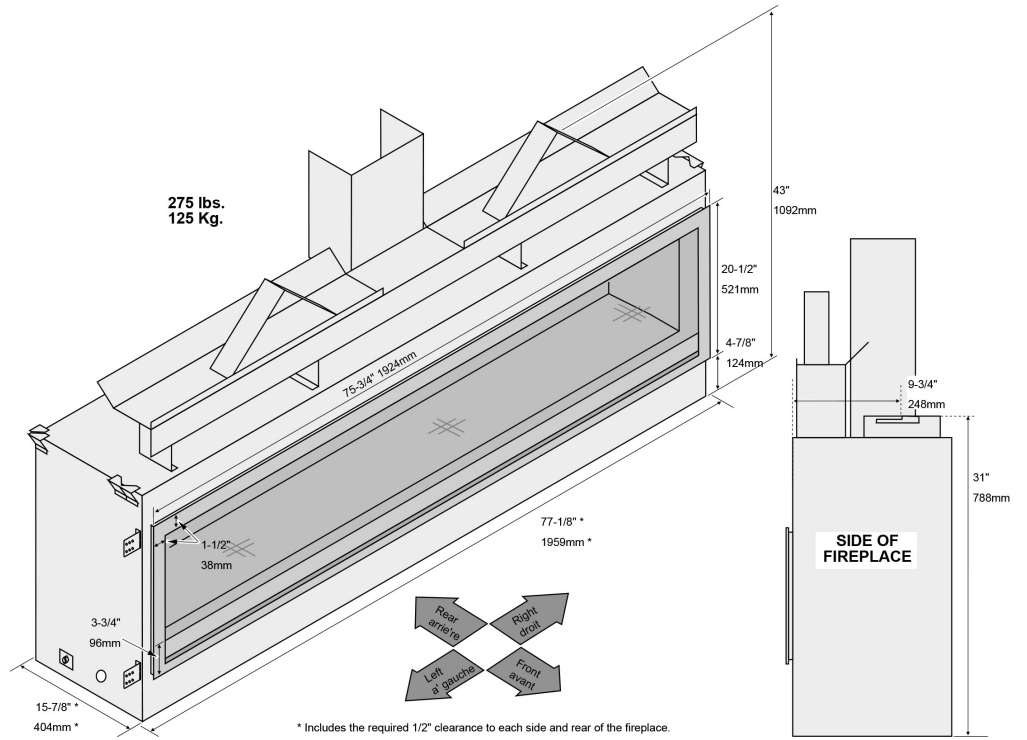
When venting in a corner application, one side of the pipe shield may be disconnected from the top of the fireplace and bent at a 45° angle.

ProBuilder 72 Framing Guide



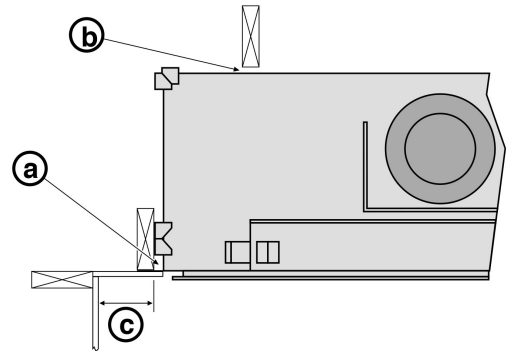
TRAVIS INDUSTRIES
HOUSE OF FIRE
12521 HARBOUR REACH DRIVE
MUKILTEO, WA 98275-5458

Dimensions

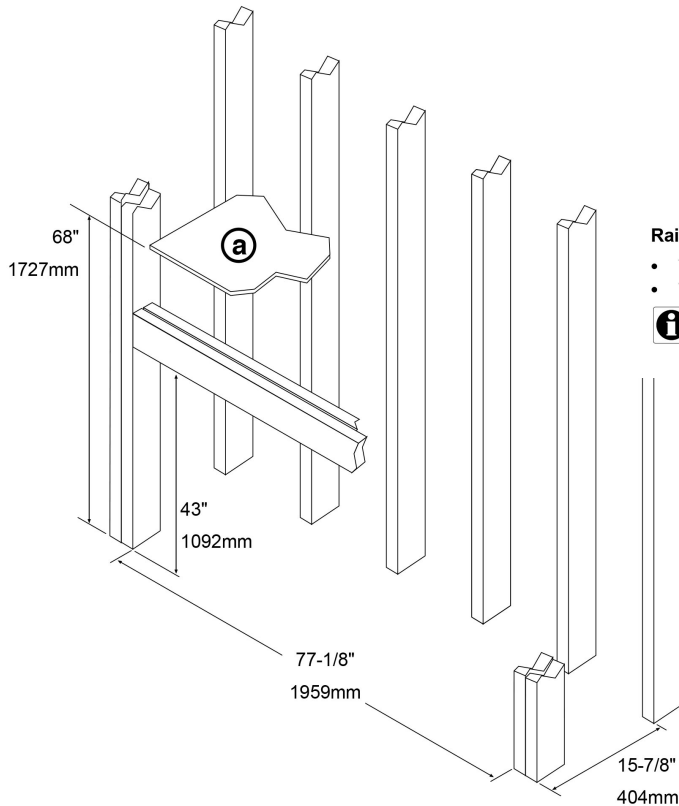


Clearances

- (a) Clearance to Side of Fireplace 1/2" (13mm). Do not place insulation in this space.
NOTE: Drywall (or other combustible) may contact the first 1/2" of the sides of the fireplace.
- (b) Clearance to Back of Fireplace 1/2" (13mm). Do not place insulation in this space.
- (c) When installed, walls in front of the fireplace must be a minimum 0" (0mm) to the side of the fireplace standoffs.



Minimum Framing Dimensions



Raised Fireplaces

- The fireplace (and hearth, if desired) may be placed on a platform designed to support the fireplace and vent.
- The base of the fireplace must be a minimum 60" (1524mm) below the room ceiling.



The top of the control door (firebox opening) is approximately 8-3/4" (223mm) above the base of the fireplace. For a typical raised fireplace of 36" (915mm), place the fireplace on a platform 27.25" (693mm) tall.

(a) The fireplace enclosure must be a minimum 68" (1727mm) tall. Do not build into the fireplace enclosure.

Dimensions

ProBuilder 36 Clean Face Framing Guide

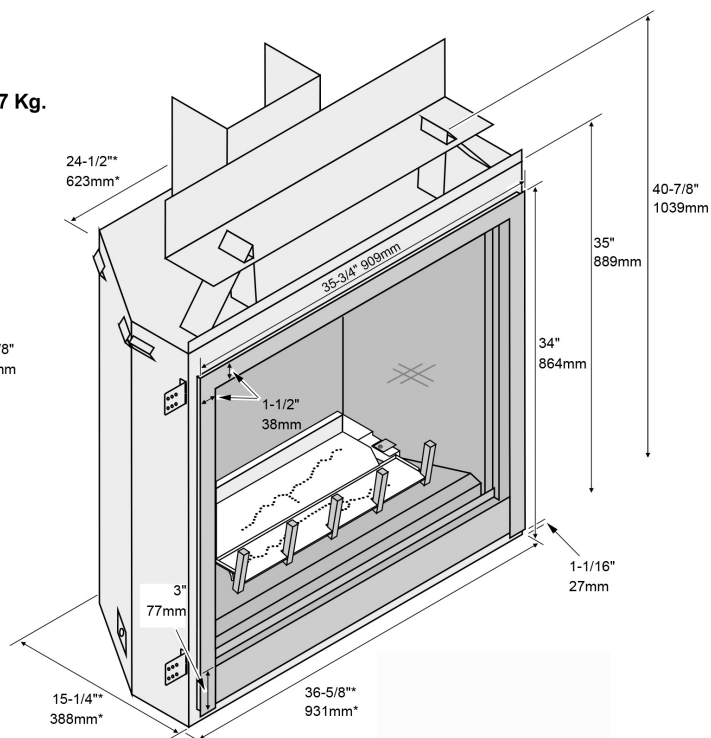
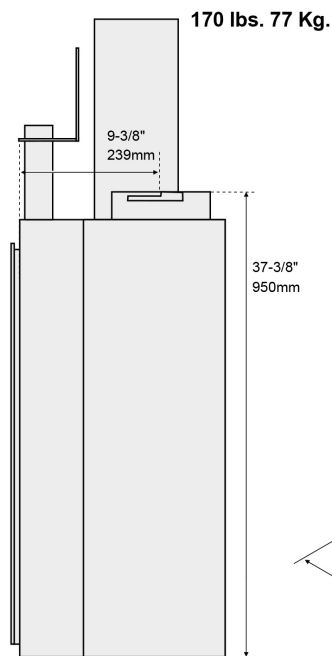


TRAVIS INDUSTRIES

HOUSE OF FIRE

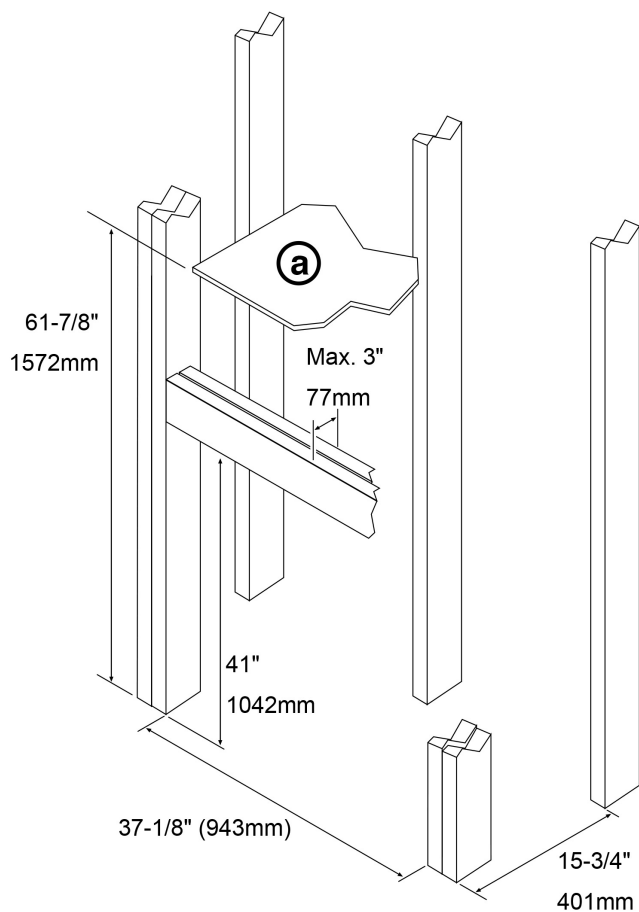
12521 HARBOUR REACH DRIVE

MUKILTEO, WA 98275-5458



* Includes the required 1/2" clearance to each side and rear of the fireplace.

Minimum Framing Dimensions

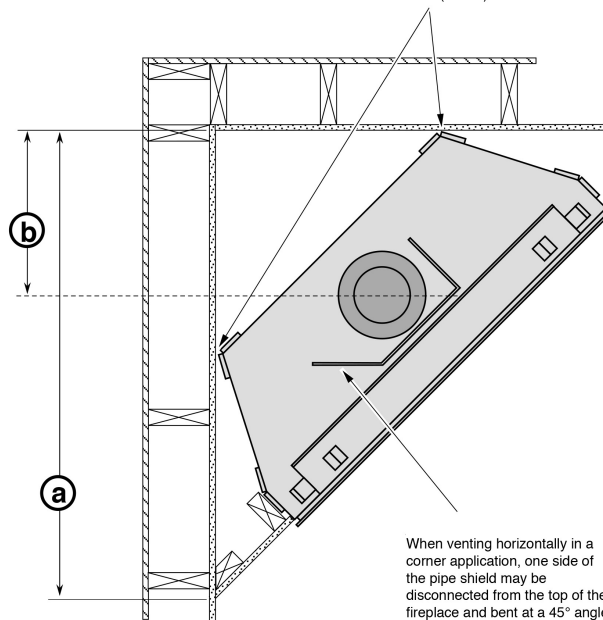


Corner Installations

A typical 45° installation uses the framing dimensions shown in the illustration below (NOTE: all clearances still

	36 CF PB
(a) Corner to Wall (minimum)	38-1/2" 978mm
(b) Corner to Center of Flue (typical)	13" 331mm

Minimum 1/2" (13mm) Clearance



a The fireplace enclosure must be a minimum 61-7/8" (1572mm) tall. Do not build into the fireplace enclosure.

ProBuilder 42 Clean Face Framing Guide

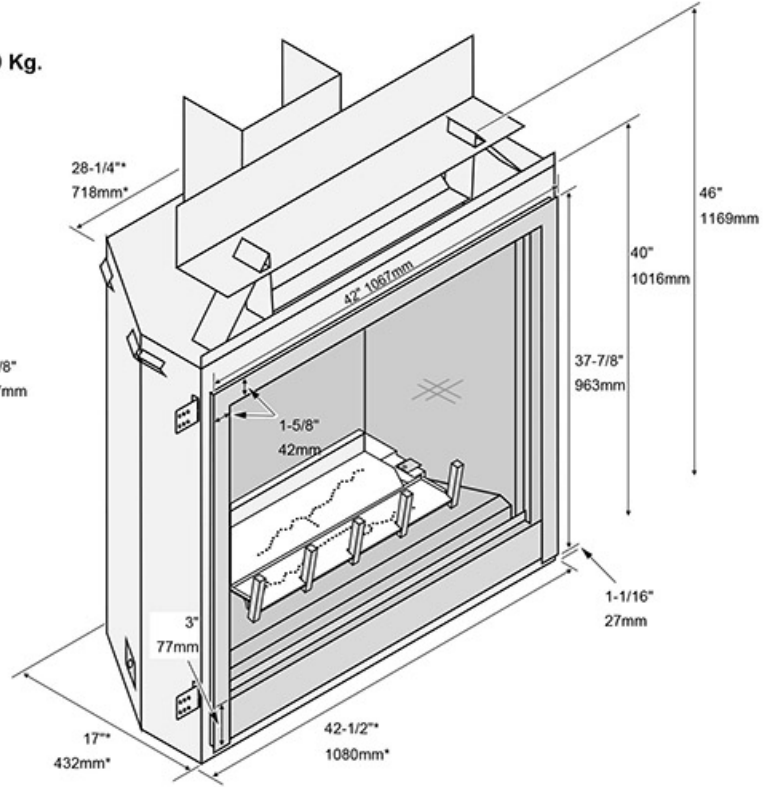
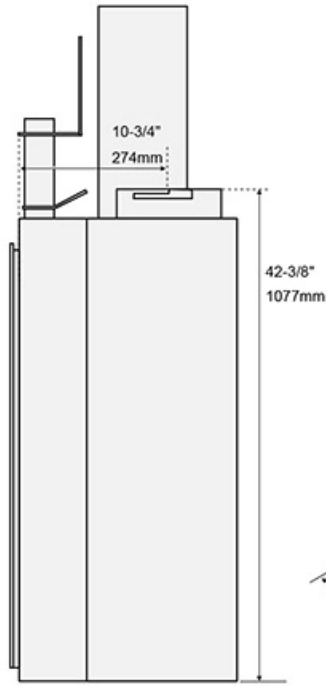
Dimensions



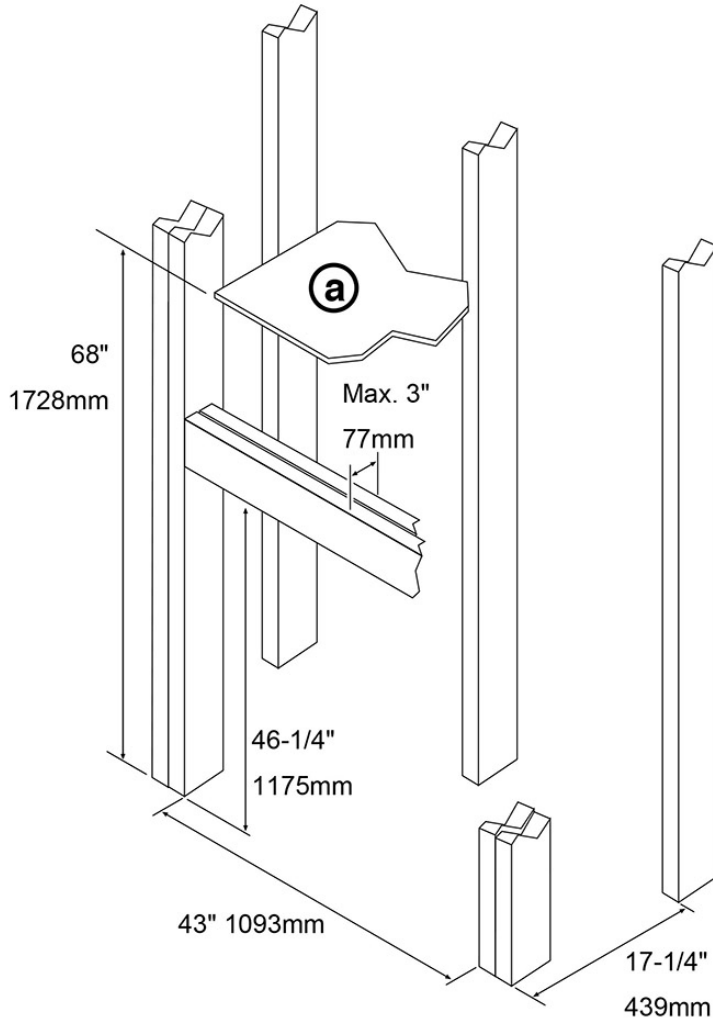
TRAVIS INDUSTRIES
HOUSE OF FIRE
1 2521 HARBOUR REACH DRIVE
MUKILTEO, WA 98275-5458

8100020

240 lbs. 109 Kg.



* Includes the required 1/2" clearance to each side and rear of the fireplace.

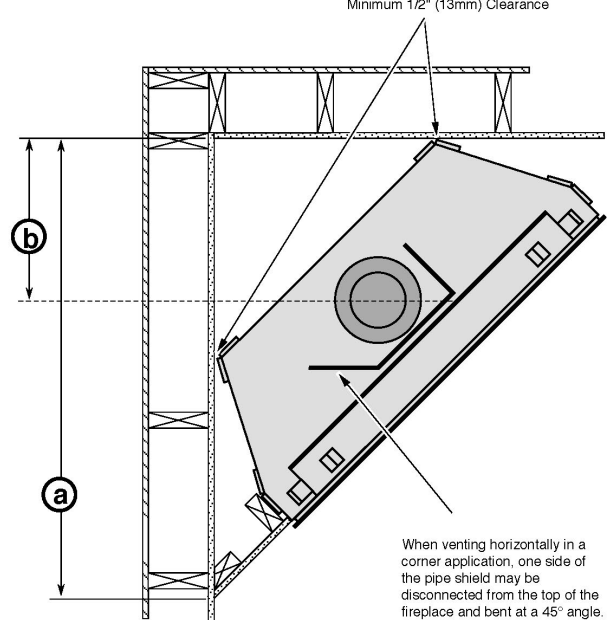


Corner Installations

A typical 45° installation uses the framing dimensions shown in the illustration below (NOTE: all clearances still apply).

	42 CF PB
(a) Corner to Wall (minimum)	43-1/2" (1105mm)
(b) Corner to Center of Flue (typical)	14-1/2" (369mm)

Minimum 1/2" (13mm) Clearance



(a) The fireplace enclosure must be a minimum 68" (1728mm) tall. Do not build into the fireplace enclosure.