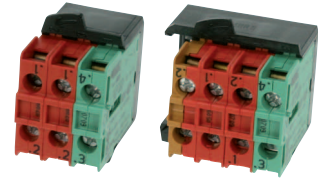


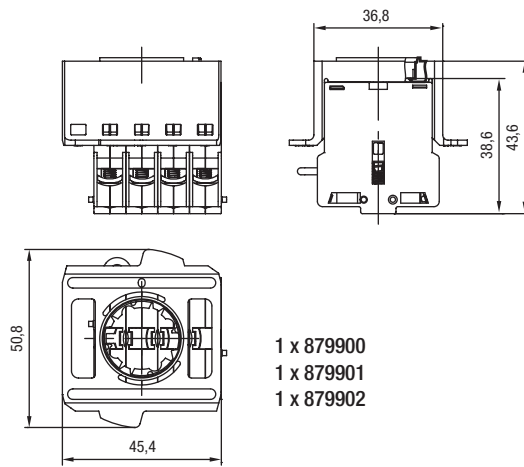
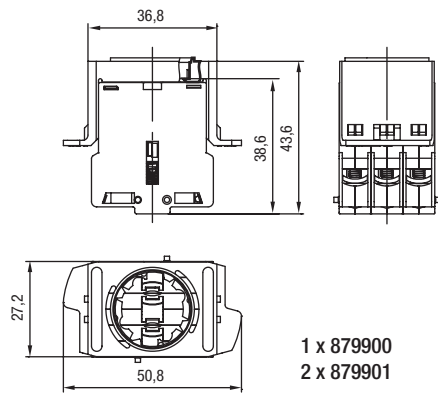
**KE21...**

contact element for Emergency-stop-push-button

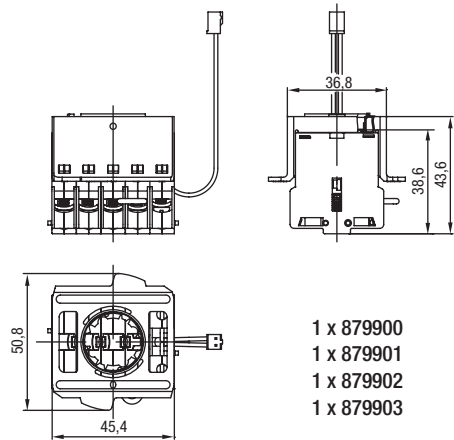


**KE21** contact element with 2 N/C / 1 N/O

**KE21SF** contact element with 2 N/C / 1 N/O / failure protection



**KE21SFB** contact element with 2 N/C / 1 NO / failure protection / illumination Elément



# Emergency-stop-push-button

**87990.**

**contactor for contact elements Contacts**

technical specifications (buying individual contactors is not possible)

type no.	specification	approbation	contact form	
879900	modul - contactor	CSA, TÜV, UL	NO	screwed connection 2 x 2.5 mm <sup>2</sup>
879901	modul - contactor	CSA, TÜV, UL	N/C	
879902	module- contactor with a safety contact for failure interruption. Contact opening by disconnecting the activator.	cULus, TÜV	safety contact with failure interruption	
879903	modul - connection element for illumination	cULus, TÜV	-	

type no.	store temperatur max.	operating temperature max.	contact material	min. current	min. voltage	functional category
879900	-50°C ... 85°C	-30°C ... 85°C	Ag Ni	1 mA	5 V	AC15 / DC13
879901			Ag Ni	1 mA	5 V	AC15 / DC13
879902			Ag Ni	1 mA	5 V	AC15 / DC13
879903			-	8 - 44 mA	12 - 30 V	-

# Emergency-stop-push-button

**87990.**

**contactor for contact elements**

electrical specification according to IEC/EN 60947-5-1 (VDE 0660 part 200)

type no.	Ui rated insulation voltage		rated operational voltage		rated current	
	AC	DC	AC	DC	AC	DC
879900	600 V	600 V	250V / 440V	440V / 250V / 125V / 60V / 24V	3A / 1.6A	0.12A / 0.2A / 0.4A / 1A / 2A
879901	600 V	600 V	250V / 440V	440V / 250V / 125V / 60V / 24V	3A / 1.6A	0.12A / 0.2A / 0.4A / 1A / 2A
879902	600 V	600 V	250V / 440V	440V / 250V / 125V / 60V / 24V	3A / 1.6A	0.12A / 0.2A / 0.4A / 1A / 2A
879903	-	-	-	-	-	-

electrical specification according to IEC/EN 61058-1 (VDE 0630 part1)

type no.	rated voltage	rated current
879900	250 V~ / 440 V~	16(10) A / 10(6) A
879901	250 V~ / 440 V~	16(10) A / 10(6) A
879902	250 V~ / 440 V~	16(10) A / 10(6) A
879903	-	-