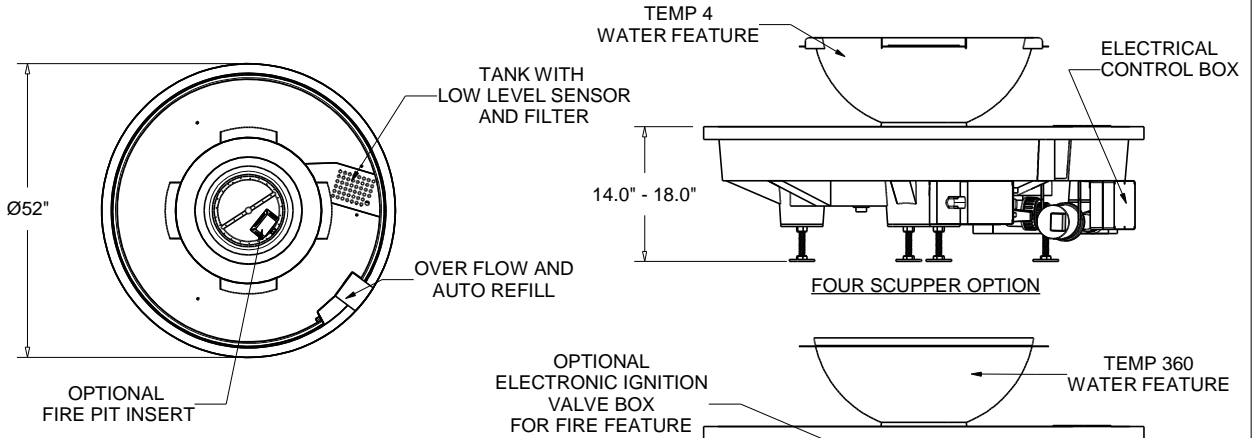




Hearth Products Controls Co
EVOLUTION 360 WATER PIT SERIES
OUTDOOR USE ONLY

HEARTH PRODUCTS CONTROLS
 3050 PLAINFIELD RD.
 KETTERING, OH 45432
 TOLL FREE: 1-877-433-7001
 PHONE: (937) 433-7000
 FAX: (937) 433-0704
 www.hpcfire.com



Water Pit with Optional Fire Pit

Includes Basin, 26" Copper Water Bowl fitted with Certified Electronic Ignition Fire Pit, and Lava Rock

Part Number	Description
WB52R-TEMP4-HWI	4-Scupper Feature - 90k btu
WB52R-TEMP360-HWI	360° Scupper Feature - 90k btu

Water Pit with Water Feature

Includes Basin and 26" Copper Planter

Part Number	Description
WB52R-TEMP4	4-Scupper Feature Water Bowl
WB52R-TEMP360	360° Scupper Feature Water Bowl

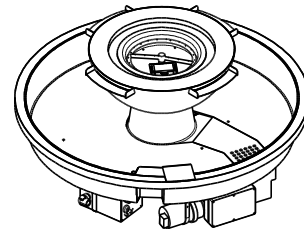
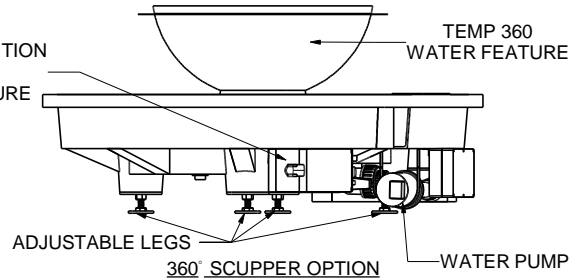
VISIT www.hpcfire.com FOR OTHER WATER FEATURE OPTIONS

Water Rock - 3 Bags Required

Model #	Rock Color	Size	Weight/Bag
957-BLK	Black	2-4"	55lbs
957-TAN	Tan	2-4"	55lbs
957-RED	Red	2-4"	55lbs
957-GRAY	Gray	2-4"	55lbs

FEATURES:

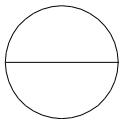
- OPTIONAL FIRE FEATURE
- LOW LEVEL PUMP PROTECTION
- AUTO REFILL
- OVERFLOW
- DRAIN
- LED LIGHTS
- ADJUSTABLE WATER FLOW
- ADJUSTABLE HEIGHT WITH LEVELING LEGS
- NEMA RATED ELECTRICAL SYSTEM
- WATER FILTER



ISOMETRIC VIEW

Notes:

1. OPTIONAL FIRE FEATURE IS FOR USE WITH FIXED PIPING SYSTEMS ONLY.
2. OPTIONAL FIRE FEATURE NOT FOR USE WITH SMALL TANKS.
3. ALL FIRE PIT ENCLOSURES REQUIRE 2 each 18 SQ/IN VENTS ON OPPOSING SIDES AND ADEQUATE DRAINAGE.
4. RESIDENTIAL GAS PRESSURE ONLY FOR OPTIONAL FIRE FEATURE.
5. MODIFICATION OF PRODUCT WILL VOID ANY CERTIFICATION AND WARRANTY.
6. FOLLOW ALL MANUFACTURER INSTALLATION INSTRUCTIONS AND LOCAL CODES.
7. ALL DIMENSIONS ARE CONSIDERED TRUE AND REFLECT MANUFACTURER'S SPECIFICATIONS AS OF THE REVISION DATE.
8. DO NOT SCALE DRAWING.
9. THESE DRAWINGS ARE NOT FOR CONSTRUCTION PURPOSES AND ARE FOR INFORMATION PURPOSES ONLY. ALL INFORMATION CONTAINED HEREIN WAS CURRENT AT THE TIME OF DEVELOPMENT BUT MUST BE REVIEWED AND APPROVED BY THE PRODUCT MANUFACTURER TO BE CONSIDERED ACCURATE.
10. CONTRACTOR'S NOTE: FOR PRODUCT AND COMPANY INFORMATION VISIT www.CADdetails.com/info REFERENCE NUMBER 771-017.



EVOLUTION 360 - PLUG-N-PLAY WATER SYSTEM
OPTIONAL CSA CERTIFIED FIRE PIT INSERT