

NAPOLEON

DESIGNED FOR TODAY'S LIVING

INTRODUCING THE NEW
ELEVATION™ SERIES



napoleon.com

Elevation™ Full View Gas Fireplaces

With the new Elevation™ series comes the new entry level offerings of the E36 and E42 as an addition to the existing Elevation™ X Series. The Elevation™ fireplaces offer the trending full view aesthetic that homeowners are demanding. In addition to the enhanced deep depth firebox, the Elevation™ series features a Split Oak log set, tempered glass and full view safety barrier. Available in 36" and 42" widths, the Elevation™ can be customized with a wide selection of designer options and accessories including an array of brick panels, fronts and finishing trims plus optional remotes and blower. In keeping up with the trends of the modern home, the Elevation™ series has been built to be compatible with our heat management systems, allowing for reduced clearances to combustibles and placement of TV's. More flair and function ensures Napoleon's Elevation™ series are the perfect enhancement to any home.

Competitive Advantages

- Optional Heat Management systems for reduced clearances to combustibles
- Will accept flex and rigid venting
- Wide range of optional accessories
- Full view safety barrier



E36

- **Up to 26,000 BTU's**
- **President's Limited Lifetime Warranty**
- **Split Oak Log Set**
- **Dual Flame Pan Style Burner**
- **Tempered Glass**
- **Blower optional**
- **Remote optional**

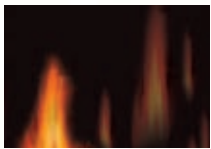


E42

- **Up to 30,000 BTU's**
- **President's Limited Lifetime Warranty**
- **Split Oak Log Set**
- **Dual Flame Pan Style Burner**
- **Tempered Glass**
- **Blower optional**
- **Remote optional**



Features / Options / Accessories



MIRRO-FLAME™ Porcelain Reflective Radiant Panels



Black Illusion Panels



Westminster™ Grey Standard Decorative Brick Panels



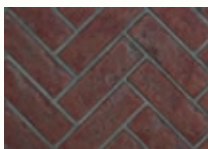
Westminster™ Grey Herringbone Decorative Brick Panels



Antique LedgeStone Decorative Brick Panels



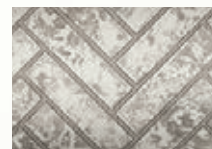
Newport™ Decorative Brick Panels



Old Town Red™ Herringbone Decorative Brick Panels



Old Town Red™ Standard Decorative Brick Panels



Glacier Herringbone Decorative Brick Panels



Glacier Standard Decorative Brick Panels



Bevelled 3pc Trim



Zen Front:
Black, Charcoal



Finish Trim:
Black, Charcoal, Copper, Gunmetal



Premium Split Oak Log Set



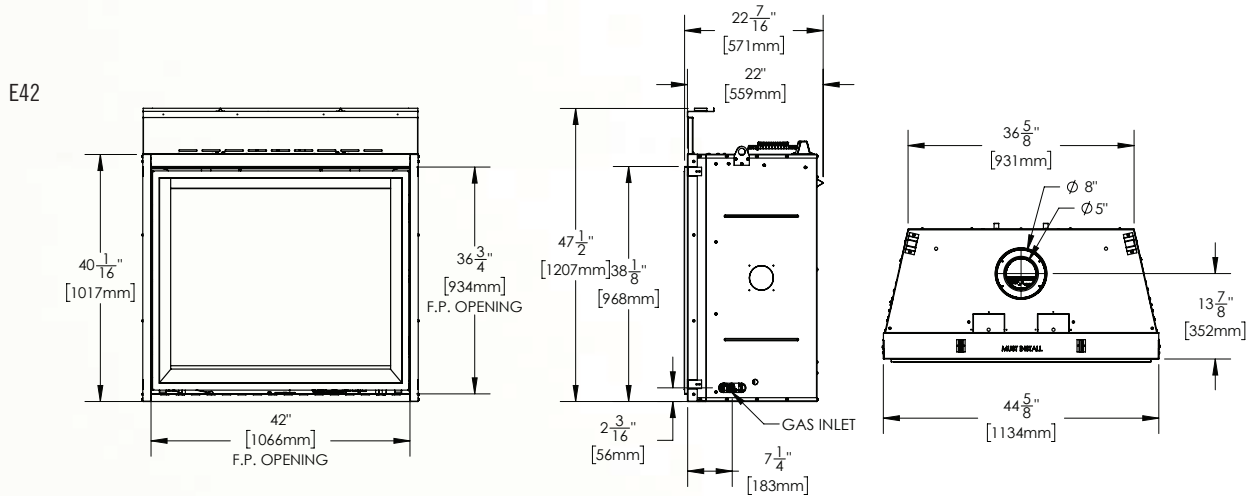
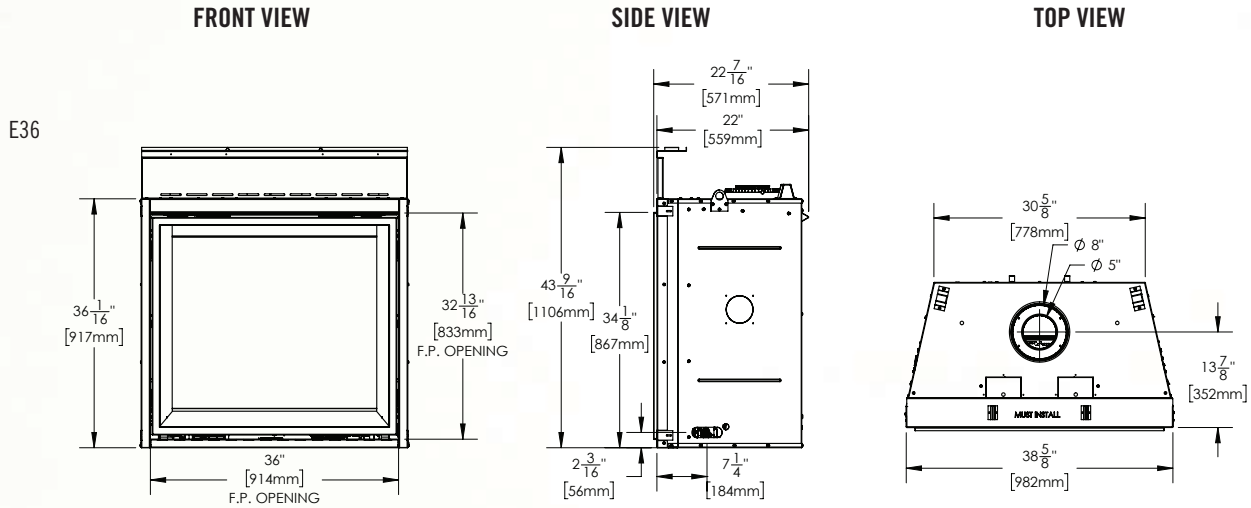
Remote Control
(F45 & F60)

Specifications

Model	BTU's (Input)	Venting	Vent Size	Glass Type	Height		Front Width		Depth		Glass Viewing Area		Remote	Blower
					Actual	Framing	Actual	Framing	Actual	Framing	Height	Width		
E36	26,000	Rigid & Flex	5/8 Top	Tempered	36 1/16"	43 3/4"	38 5/8"	39 3/4"	22 7/16"	22 1/4"	24 5/16"	30 7/16"	Optional	Optional
E42	30,000	Rigid & Flex	5/8 Top	Tempered	40 1/8"	47 3/4"	44 5/8"	45 3/4"	22 7/16"	22 1/4"	28 15/16"	36 7/16"	Optional	Optional

Certified under Canadian and American National Standards

Figures may vary with individual conditions such as floor plan layout, insulation value/heat loss of the house and geographical location.



Authorized Dealer

24 Napoleon Road, Barrie, Ontario, Canada L4M 0G8
 103 Miller Drive, Crittenden, Kentucky, USA 41030
 7200 Trans Canada Highway, Montreal, Quebec, Canada H4T 1A3

Tel: 1-866-820-8686
 napoleon.com



Consult your owner's manual for complete installation instructions, accurate framing dimensions and proper clearances to combustible material. Check all local and national building codes. All specifications are subject to change without prior notice due to on-going product improvements. Products may not be exactly as shown. Napoleon is a registered trademark of Wolf Steel Ltd. © Wolf Steel inc.

Printed in Canada
 05/2021