

DRT4000-C & DRT4200-C SERIES

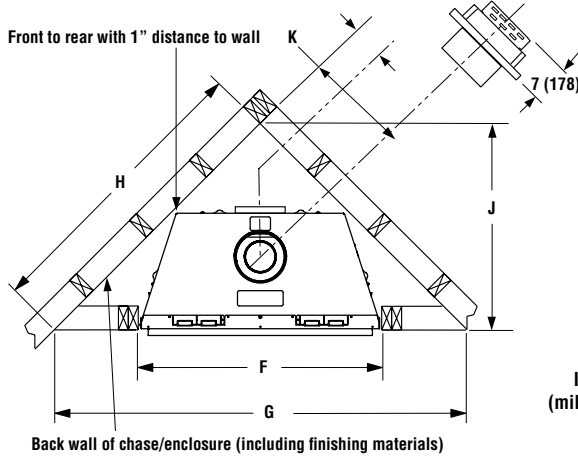
DIRECT-VENT FIREPLACES

Appliance Specifications

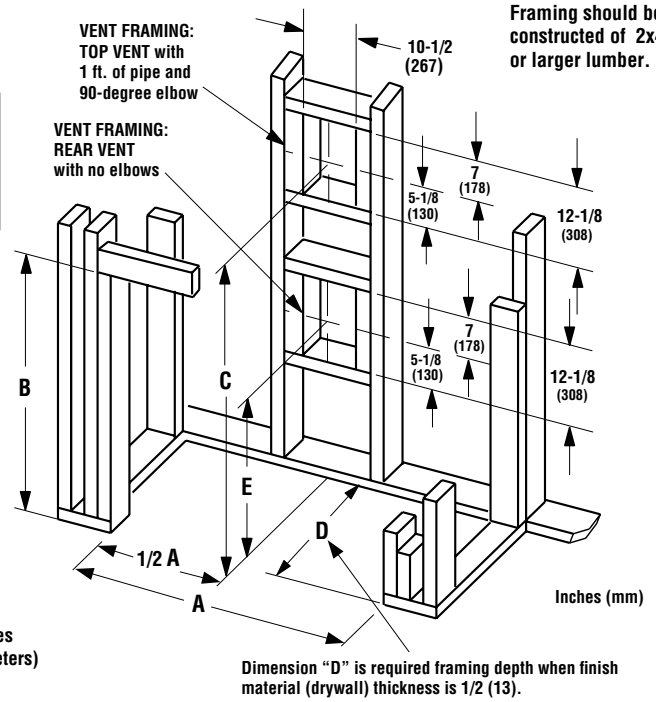
Framing Dimensions - Inches (millimeters)					
Model	A*	B	C	D**	E
DRT4240	40-7/8 (1039)	41-1/4 (1048)	43-3/4 (1111)	23 (585)	28-1/4 (717)
DRT4245	45-7/8 (1166)	41-1/4 (1048)	55-3/4 (1417)	23 (585)	N/A (top vent only)
DRT4040	40-7/8 (1039)	41-1/4 (1048)	43-3/4 (1111)	23 (585)	28-1/4 (717)
DRT4045	45-7/8 (1166)	41-1/4 (1048)	43-3/4 (1111)	23 (585)	28-1/4 (717)

Model	F	G	H	J	K
DRT4240	40-7/8 (1039)	78-1/4 (1988)	55-1/2 (1410)	40-1/2 (1029)	15-7/8 (404)
DRT4245	45-7/8 (1166)	85-7/8 (2182)	61 (1550)	40-1/2 (1029)	17-1/2 (445)
DRT4040	40-7/8 (1039)	78-1/4 (1988)	45-3/8 (1153)	40-1/2 (1029)	15-7/8 (404)
DRT4045	45-7/8 (1166)	85-7/8 (2182)	61 (1550)	40-1/2 (1029)	17-1/2 (445)

Framing Dimensions

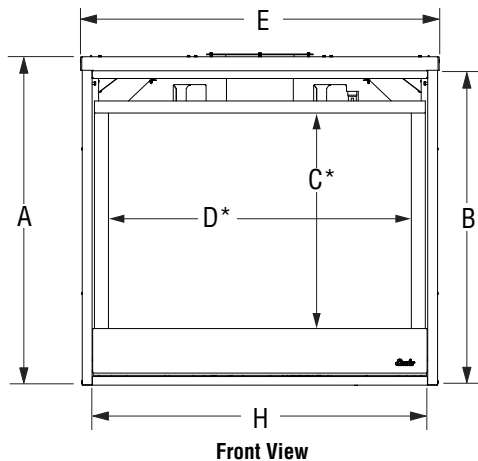
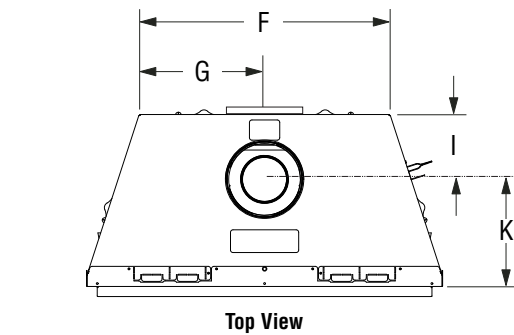


C = Minimum height of top vent installations
 E = Minimum height of rear vent installations
 * Minimum opening size; additional 1/8" per side is recommended.



NOTE: Framing specifications do NOT apply for flexible venting. When using flexible venting, refer to the kit requirements for framing specifications.
NOTE: When in top vent mode - No combustible material shall be allowed to contact the rear flue cap/cover

Fireplace Dimensions

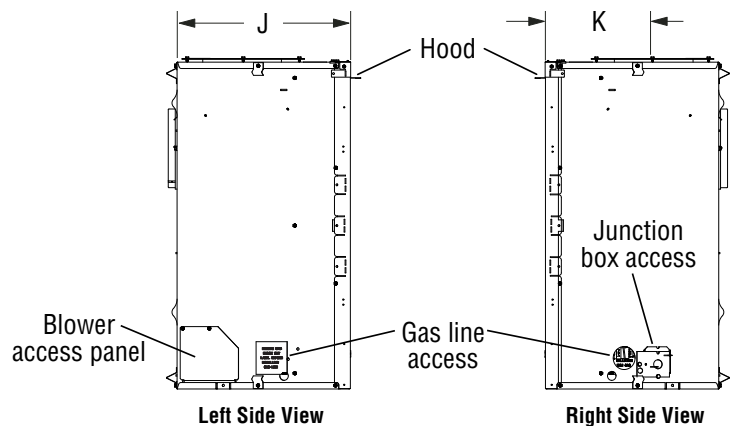


Model	A	B	C*	D*	E	F
40" Models	37-1/8 (943)	34-5/8 (880)	24-1/2 (623)	34-1/4 (870)	40-1/4 (1022)	30 (762)
45" Models	37-1/8 (943)	34-5/8 (880)	24-1/2 (623)	39-1/4 (997)	45-1/4 (1149)	35 (889)

Model	G	H	I	J	K
40" Models	15 (381)	37-7/8 (962)	6-7/8 (175)	21 (534)	12-3/8 (315)
45" Models	17-1/2 (445)	42-7/8 (1089)	6-7/8 (175)	21 (534)	12-3/8 (315)

* C and D are glass viewing area dimensions
NOTE: When in top vent mode, No combustible material shall be allowed to contact the rear flue cap/cover.

Diagrams, illustrations and photographs are not to scale. Consult installation instructions. Product designs, materials, dimensions, specifications, colors, and prices are subject to change or discontinuance without notice.



DRT4000-C & DRT4200-C SERIES

Product Reference Information

Product Reference Information			
Cat. No.	Model	Ship. Wt.	Ship. Volume
F4299	DRT4040DEN-C	210 lb.	43 cu. ft.
F4300	DRT4040DEP-C		
F4303	DRT4045DEN-C	223 lb.	43 cu. ft.
F4304	DRT4045DEP-C		

Product Reference Information			
Cat. No.	Model	Ship. Wt.	Ship. Volume
F4305	DRT4240DEN-C	210 lb.	43 cu. ft.
F4306	DRT4240DEP-C		
F4307	DRT4245TEN-C	223 lb.	43 cu. ft.
F4308	DRT4245TEP-C		

Listing Information

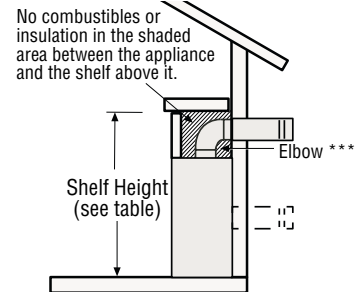


Tested to ANSI Z21.50 (in Canada, CSA-2.22) & CAN/CGA-2.17-M91 in both USA and Canada, as vented gas fireplace heaters.

Shelf Height

Shelf Height Minimum Clearances

Model	Top Vent with 90° Elbow ***		Alternative Rear Vent applications
	Secure Vent® (using rigid elbow)	Secure Flex® (using flex elbow)	Secure Vent®
DRT4040-C	52" (1321 mm) *	54" (1372 mm) *	46" (1169 mm)**
DRT4045-C	52" (1321 mm) *	54" (1372 mm) *	46" (1169 mm)**
DRT4240-C	52" (1321 mm) *	54" (1372 mm) *	46" (1169 mm)**
DRT4245-C	68" (1727 mm) *	70" (1778 mm) *	N/A (top vent only)



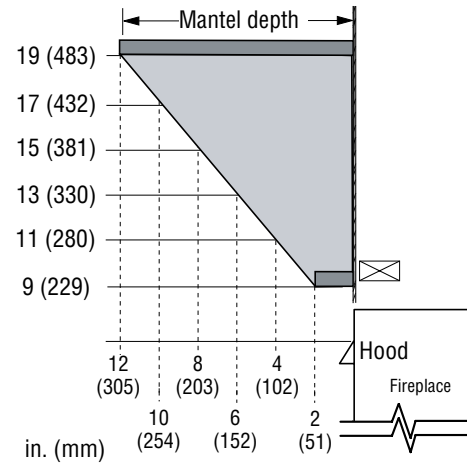
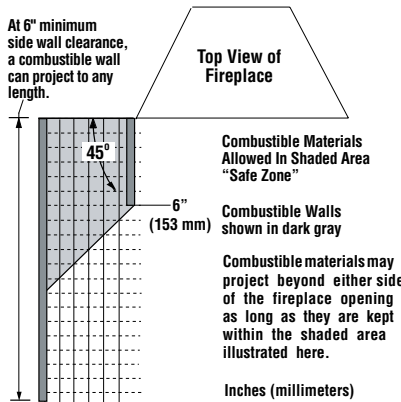
Clearances

Minimum Clearances ① Inches (millimeters)	
Back	1-1/2" (38mm) to wrapper 0" (0 mm) to Spacers
Sides	1/2" (13 mm) to wrapper 0" (0 mm) to Spacers ②
Top Standoffs	0" (0 mm) to top standoffs
Floor	0" (0 mm)
From Bottom of Unit To Ceiling	64" (1626 mm)
Vent	3 (77) Top ① 1 (26) Sides & Bottom
SERVICE CLEARANCES Feet (meters)	
Front	3 feet (0.9 meters)

① NOTE: 3" (77 mm) above any horizontal/inclined vent component.

② NOTE: See Installation Instructions Manual (Step 1) for clearance requirements to the nailing flange located at each side of the unit and any screw heads adjacent to it.

- * Includes 3" clearance to combustibles (required above vent components)
- ** In alternative, Rear Vent applications, Top Vent will be sealed as detailed in Installation Sequence Step 4 (Page 20 in Installation and Operation Manual).
- *** 40" models may connect an elbow directly to the top flue collar. 45" models must use, at a minimum, a 1 foot vertical section before connecting an elbow.



Venting Requirements

