

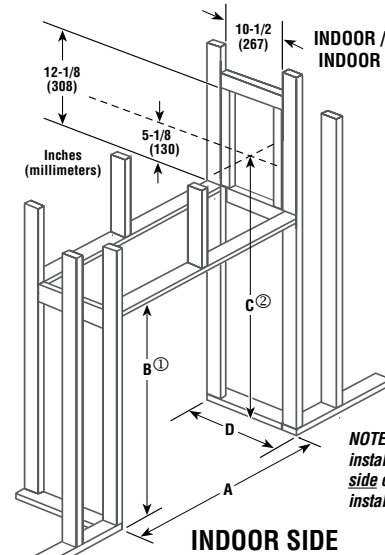
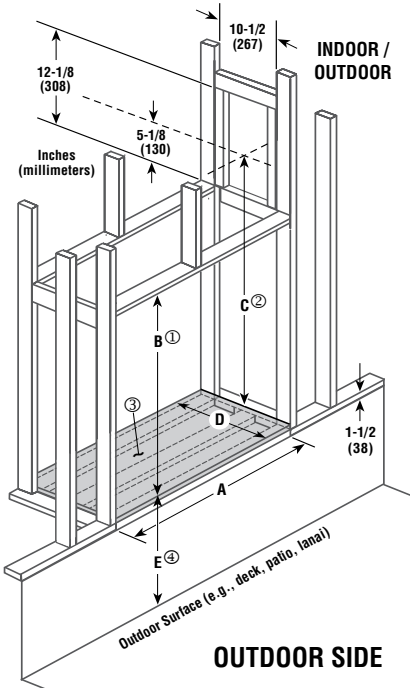
# DRT63STTYN-B

## SEE-THROUGH DIRECT-VENT FIREPLACE

	A	B ①	C ②	D	E ④
in	52-1/8	47-3/8	99-1/2	26-3/8	6
(mm)	(1324)	(1203)	(2527)	(670)	(152)

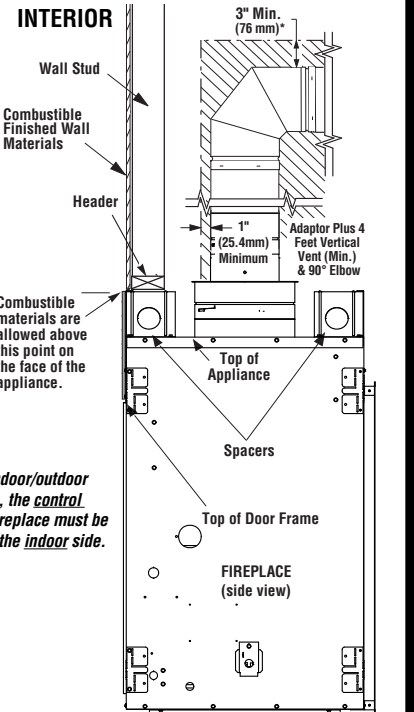
Framing Should be constructions of 2 x 4 or larger lumber.

Framing Dimensions



- ③ 1/2" board for platform (shown in gray).
- ④ Dimension E is a 6" clearance from fireplace base to outdoor surface (e.g., deck, patio, lanai) that is required as a moisture barrier (not a combustible clearance) on outdoor side only.

- ① Dimension B is from fireplace base to top framing member.
- ② Dimension C is from fireplace base to centerline of horizontal vent pipe. Minimum vent framing: Adaptor plus 4 ft vertical vent and one 90-degree elbow. For other venting configurations, see the **Installation and Operation Manual**.

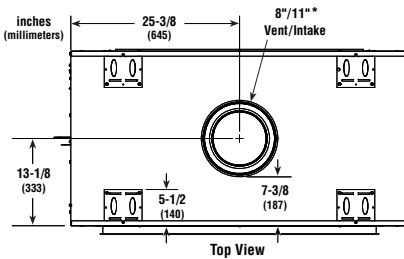


**NOTE:** For indoor/outdoor installations, the **control** side of the fireplace must be installed on the **indoor** side.

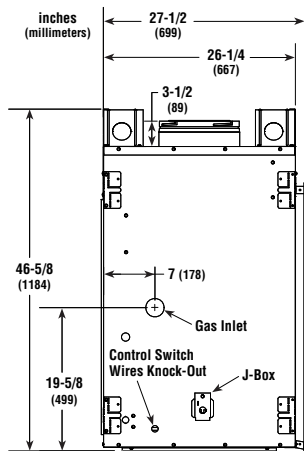
\* **Insulation is NOT ALLOWED** in the clearance zones around vent components. **Keep this area free from combustible materials.**

Wall Finishing

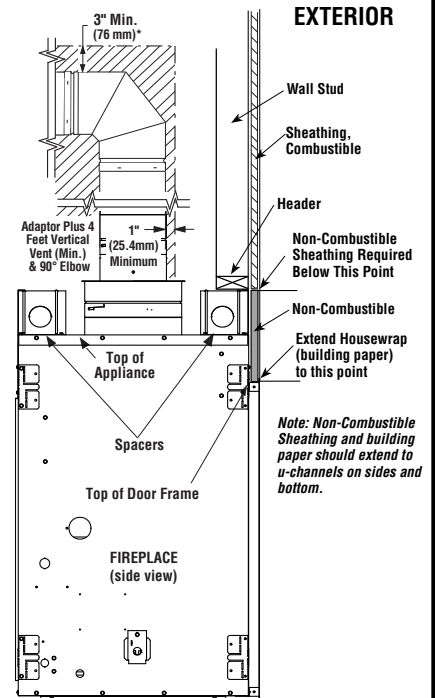
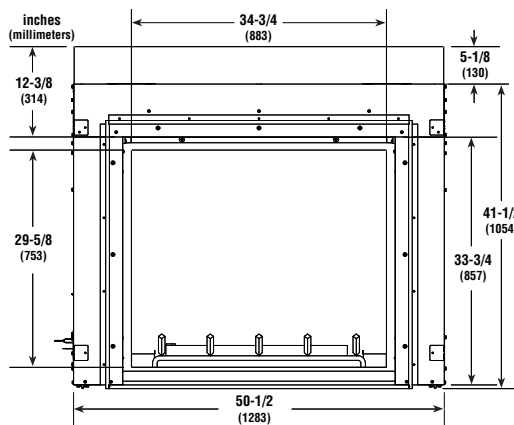
Vent Size	
Co-axial DV Collar on Fireplace -	8" Inner / 11" Outer
Adaptor Probe Reduces Vent Size To -	4-1/2" Inner / 7-1/2" Outer



Fireplace Dimensions



**Unit Dimensions**  
(Shown with Outdoor Kit Installed)



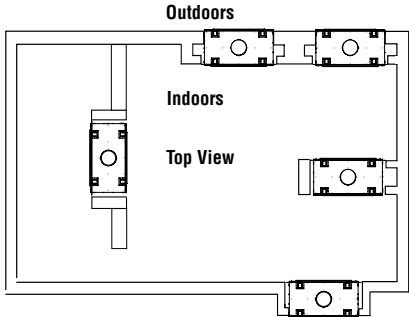
**Note:** Non-Combustible Sheathing and building paper should extend to u-channels on sides and bottom.

NOTE: DIAGRAMS & ILLUSTRATIONS ARE NOT TO SCALE.

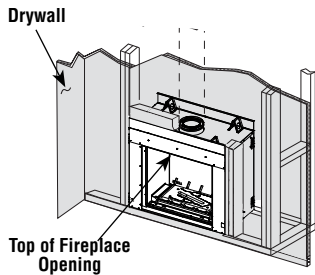
# DRT63STTYN-B

Product Information

Product Reference Information			
Cat. #	Model	Ship. Wt.	Ship. Volume
F4693	DRT63STTYN-B	383 lb.	52.2 cu. ft.

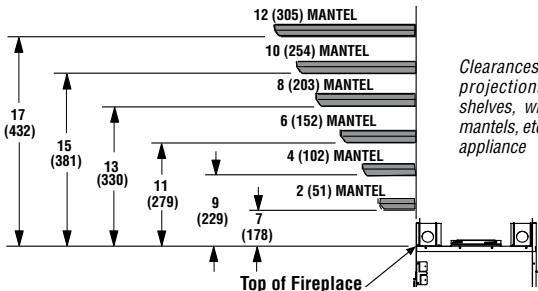


When the unit is installed with one side flush with a wall, the wall on the other side of the unit must not extend beyond the front edge of the unit.



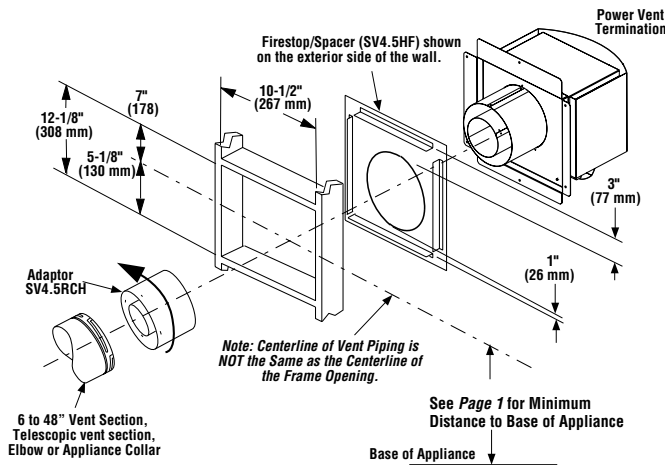
Typical Installations

Mantel Clearances



Clearances from any projections such as shelves, window sills, mantels, etc. above the appliance

Horizontal Termination



Listing Information

Listed by PFS Corporation to ANSI Z21.88 (in Canada, CSA-2.33), and CAN/CGA-2.17-M91 (CSA P4.1) in both USA and Canada, as a vented gas fireplace.

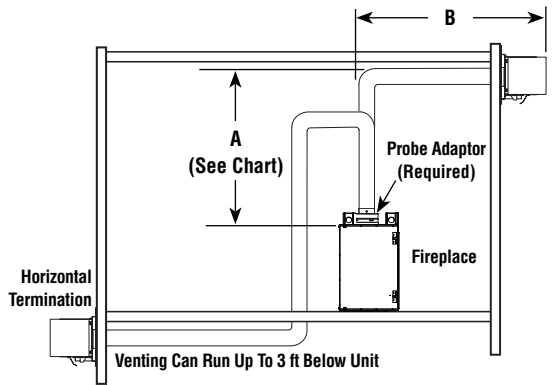


Report No. F14-107

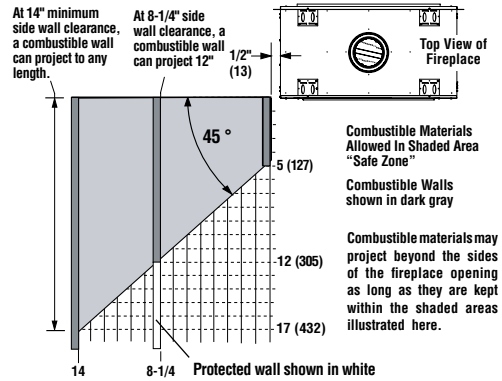
Natural Gas	
Models	Input (BTU/HR)
DRT63STTYN-B	37,000 to 57,000

Power Vent Chart

Power Vent Venting Chart		
Maximum Number Of Elbows	-	6
Maximum Feet Of Run	A + B	110 feet
Minimum Horizontal Run	B	10 feet
Minimum Vertical Run	A	Adaptor Plus 4 Feet Vertical Vent (Min.) and 90° Elbow
Maximum Vertical Rise	A	66 feet
Minimum Clearances To Combustibles		
Vertical Vent Pipe	1" (26 mm)	
Horizontal Vent Pipe	Top - 3" (77 mm) Sides - 1" (26 mm) Bottom - 1" (26 mm)	



Minimum Clearances



Minimum Clearances - Inches (millimeters)	
Back / Sides	0 (0) Spacers/Standoffs
Floor	0 (0)
Bottom of Appliance To Ceiling	72 (1829)
Vent	3 (76) Top, 1 (25) Sides & Bottom

**NOTE:** Diagrams, illustrations and photographs are not to scale – consult installation instructions. Product designs, materials, dimensions, specifications, colors and prices are subject to change or discontinuance without notice.