

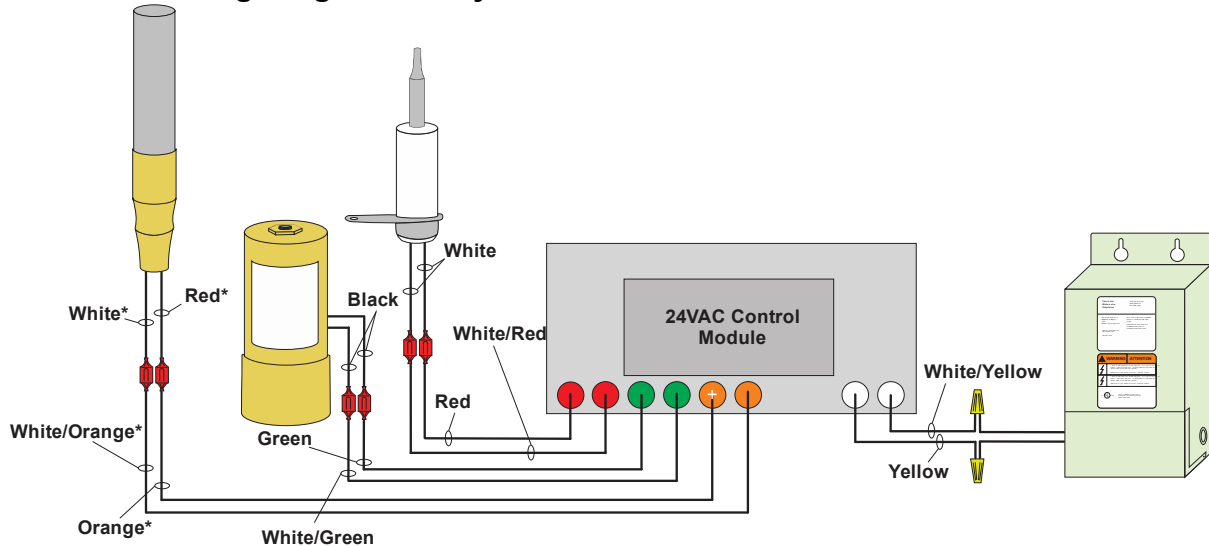


Hazardous Voltage can shock, burn, or cause death. Disconnect all input power before installing or maintaining this equipment.

Torch Wiring Diagram

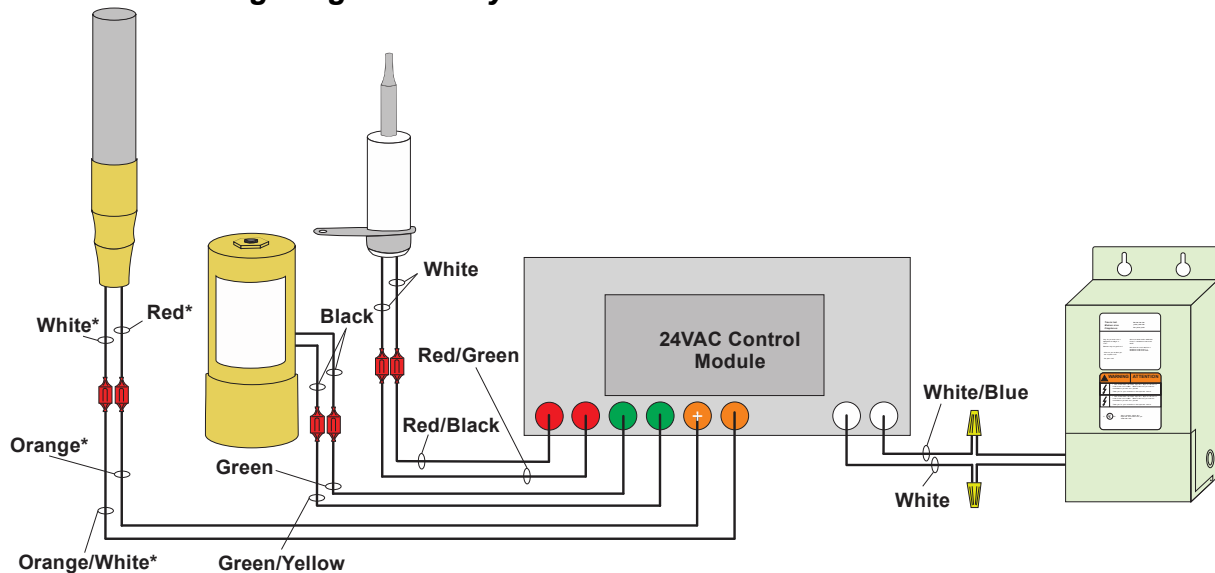
- This Control Module is designed for the Tempest 24v Torch (NG or LP). It is not for use in the 2017 (or earlier) Tempest 120v torches.
- All wiring inside the torch leads to the control module. The module has remained the same, but the color of the wires from the module has changed. See the two diagrams below.

Control Module Wiring Diagram – July 2019 or Later



* **NOTE:** The thermopile must connect to the control module as shown above (**white/orange** wire connects to the **white** thermopile wire and **orange** wire connects to **red** thermopile wire). **Do not reverse the wires.** If the wires are reversed, the torch will not work correctly.

Control Module Wiring Diagram – July 2019 or Earlier



* **NOTE:** The thermopile must connect to the control module as shown above (**orange/white** wire connects to the **white** thermopile wire and **orange** wire connects to **red** thermopile wire). **Do not reverse the wires.** If the wires are reversed, the torch will not work correctly.