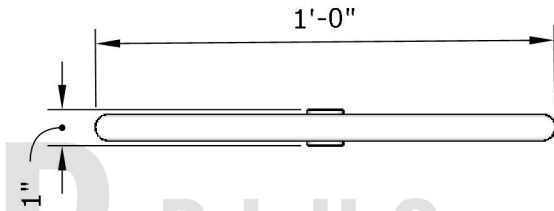
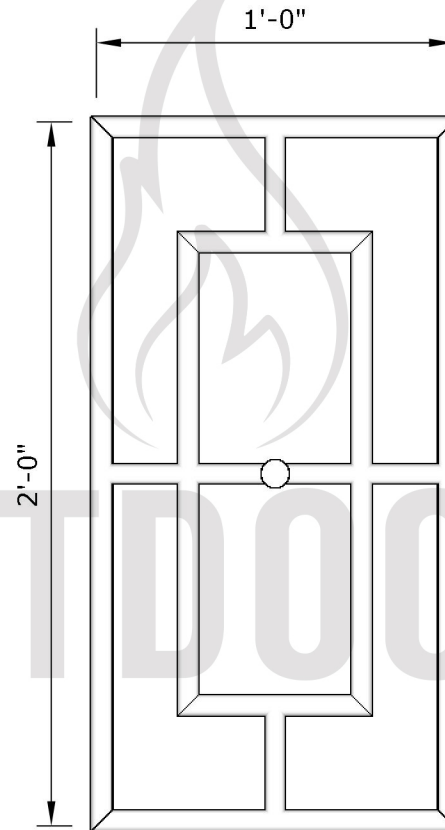
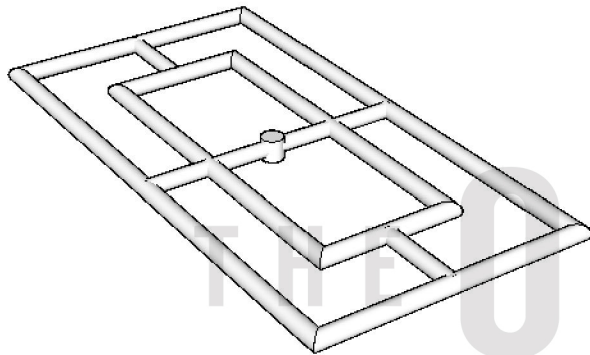


24" Double Rectangle Burner

| | |
|------------------------------|-----------|
| Page Number | 1 of 1 |
| Author: Bryant Uribe | 9/28/2018 |
| Approved By: Gabriel Estrada | Date |

| SKU | Length, Width, Height (LxWxH) | Weight | Hub Size | BTU Output | Material |
|------------|-------------------------------|----------|----------|------------|-----------------|
| OPT-DR1224 | 24" x 12" x 1" | 7.5 lbs. | ½" | 90,000 | Stainless Steel |



Proprietary & Confidential: The information contained in this drawing is the sole property of **The Outdoor Plus**. Any reproduction or as a whole without written permission of **The Outdoor Plus** is prohibited.