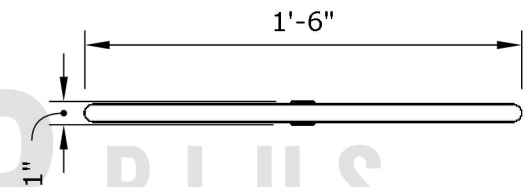
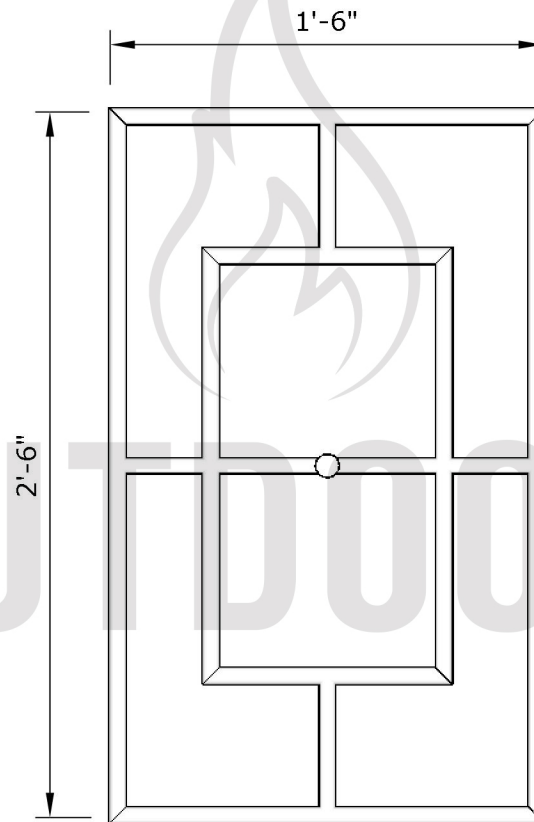
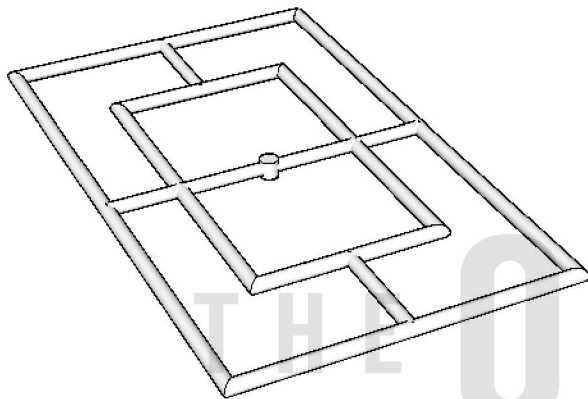


### 30" Double Rectangle Burner

Page Number	1 of 1
Author: Bryant Uribe	9/28/2018
Approved By: Gabriel Estrada	Date

SKU	Length, Width, Height (LxWxH)	Weight	Hub Size	BTU Output	Material
OPT-DR1830	30" x 18" x 1"	9 lbs.	½"	120,000	Stainless Steel



**Proprietary & Confidential:** The information contained in this drawing is the sole property of **The Outdoor Plus**. Any reproduction or as a whole without written permission of **The Outdoor Plus** is prohibited.